



US00D794767S

(12) **United States Design Patent** (10) **Patent No.:** **US D794,767 S**
Wang (45) **Date of Patent:** **** Aug. 15, 2017**

(54) **CEILING FAN**
(71) Applicant: **YOUNGO LIMITED**, Hong Kong (CN)
(72) Inventor: **Cliff Wang**, Taichung (TW)
(73) Assignee: **YOUNGO LIMITED**, Hong Kong (CN)
(**) Term: **15 Years**
(21) Appl. No.: **29/549,187**
(22) Filed: **Dec. 18, 2015**
(51) **LOC (10) Cl.** **23-04**
(52) **U.S. Cl.**
USPC **D23/377**
(58) **Field of Classification Search**
USPC D23/355, 370-387, 411-414; D26/59; D12/214
CPC F04D 25/088; F21V 33/0096
See application file for complete search history.

D680,210 S * 4/2013 Chan D23/377
D692,120 S * 10/2013 Noble D23/385
2003/0190234 A1* 10/2003 Huang F04D 29/384
416/228
2015/0110625 A1* 4/2015 De Siqueira Indio Da Costa
F24F 5/0035
416/5

* cited by examiner

Primary Examiner — Cathron Brooks
Assistant Examiner — Sharon S Oum
(74) *Attorney, Agent, or Firm* — Pai Patent & Trademark Law Firm; Chao-Chang David Pai

(57) **CLAIM**

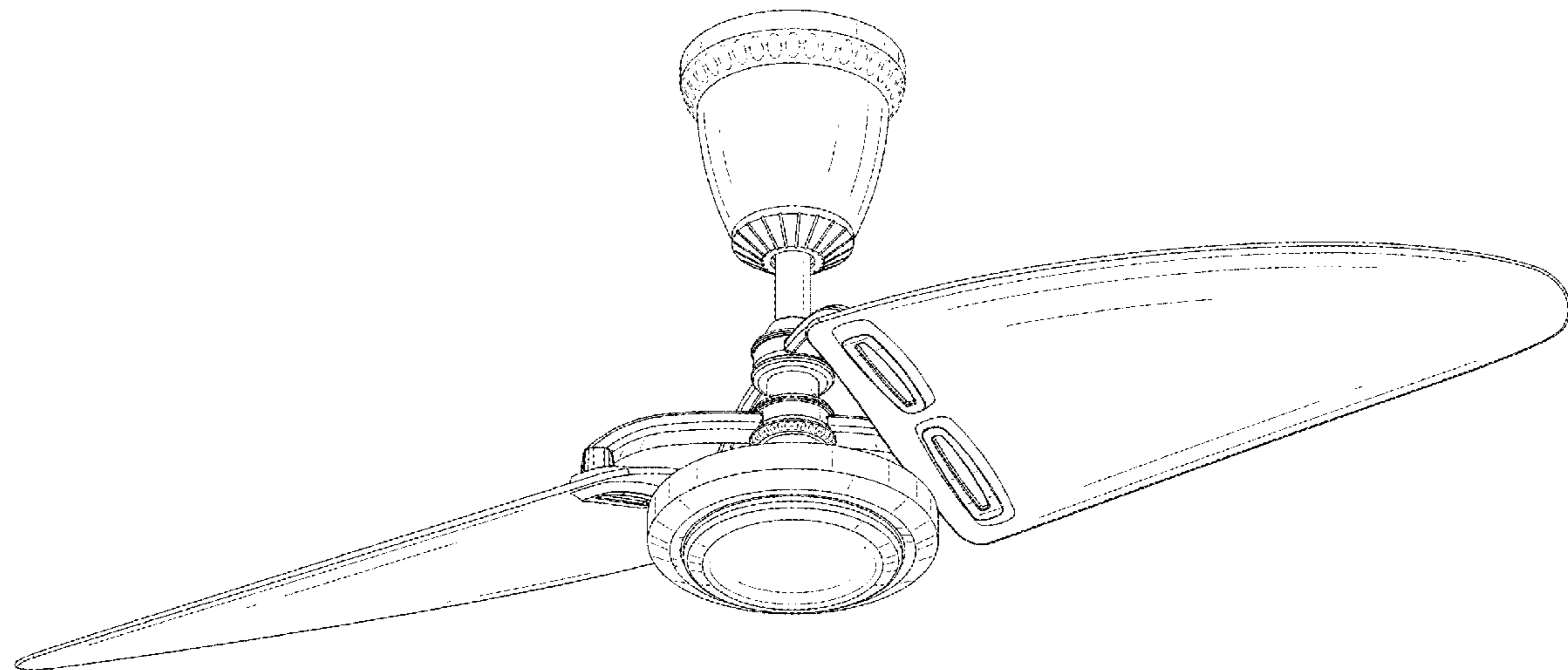
The ornamental design for a ceiling fan, as shown and described.

DESCRIPTION

FIG. 1 is a front top perspective view of a ceiling fan showing my new design;
FIG. 2 is a front elevational view thereof;
FIG. 3 is a rear elevational view thereof;
FIG. 4 is a left side elevational view thereof;
FIG. 5 is a right side elevational view thereof;
FIG. 6 is a top plan view thereof;
FIG. 7 is a bottom plan view thereof; and,
FIG. 8 is a front bottom perspective view thereof.
The broken lines are for the purpose of illustrating environmental structure and form no part of the claimed design.

1 Claim, 5 Drawing Sheets

(56) **References Cited**
U.S. PATENT DOCUMENTS
D121,201 S * 6/1940 Fischer 416/234
D357,978 S * 5/1995 Young D23/377
D475,775 S * 6/2003 Da Costa D23/377
D509,295 S * 9/2005 Stauffer D23/413
D515,196 S * 2/2006 Indio da Costa D23/377
D519,199 S * 4/2006 Gajewski D23/377
D629,501 S * 12/2010 Liu D23/377



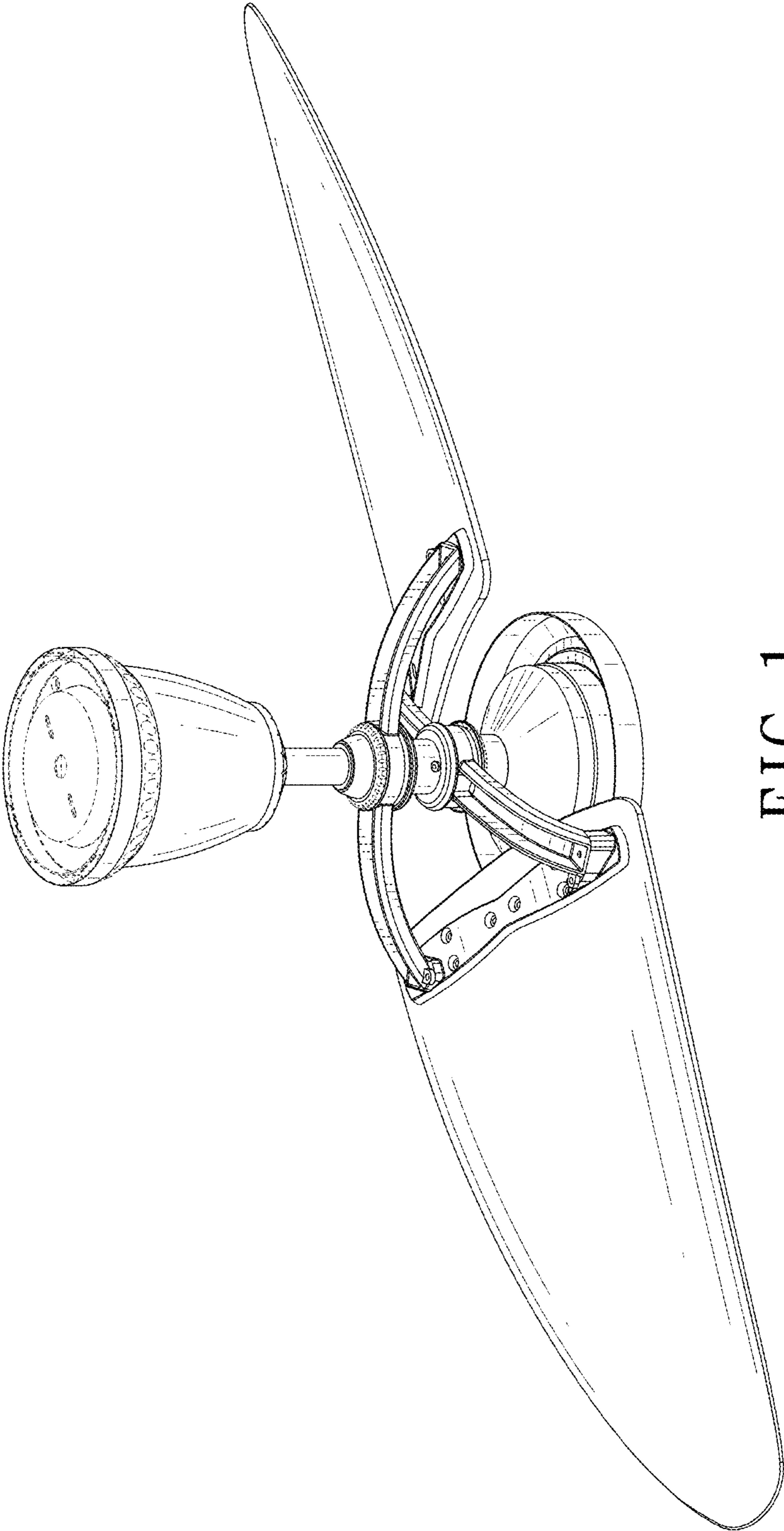


FIG. 1

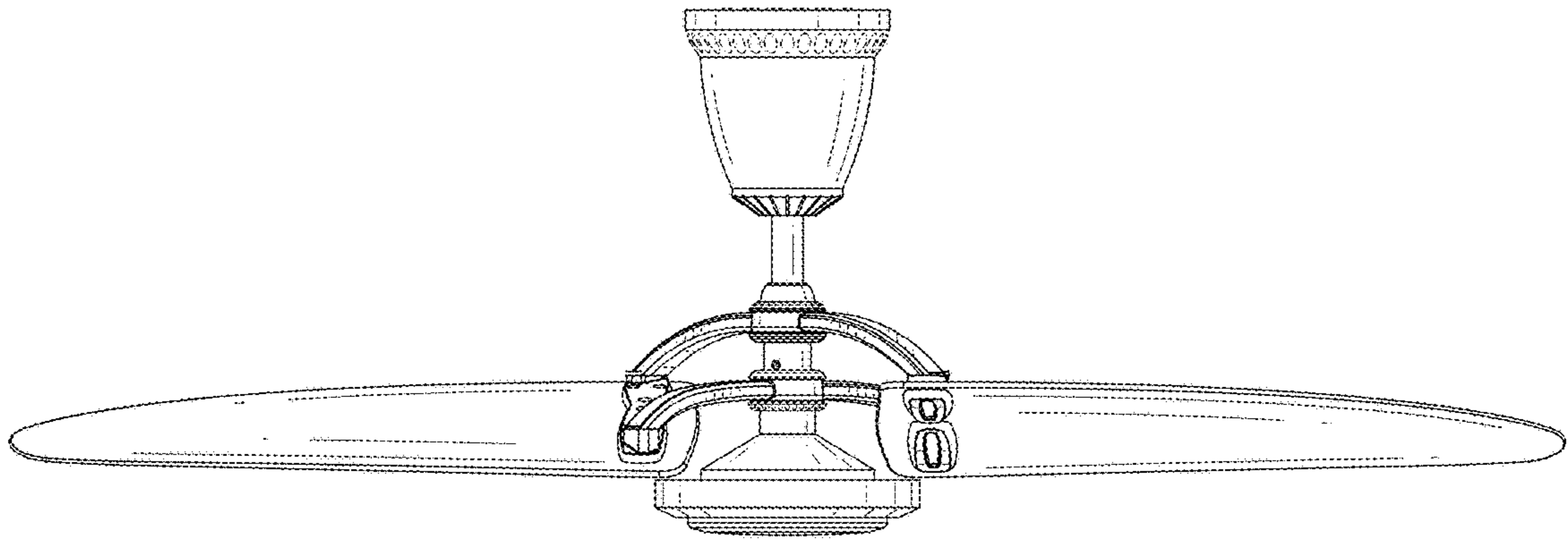


FIG. 2

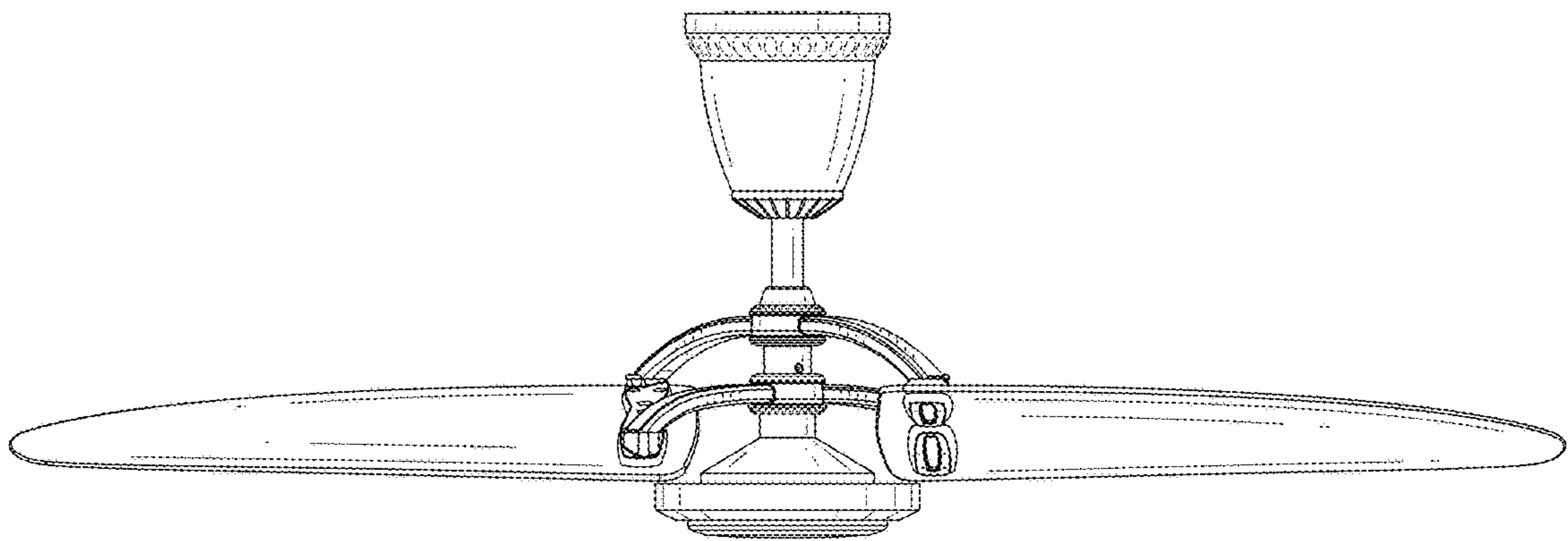


FIG. 3

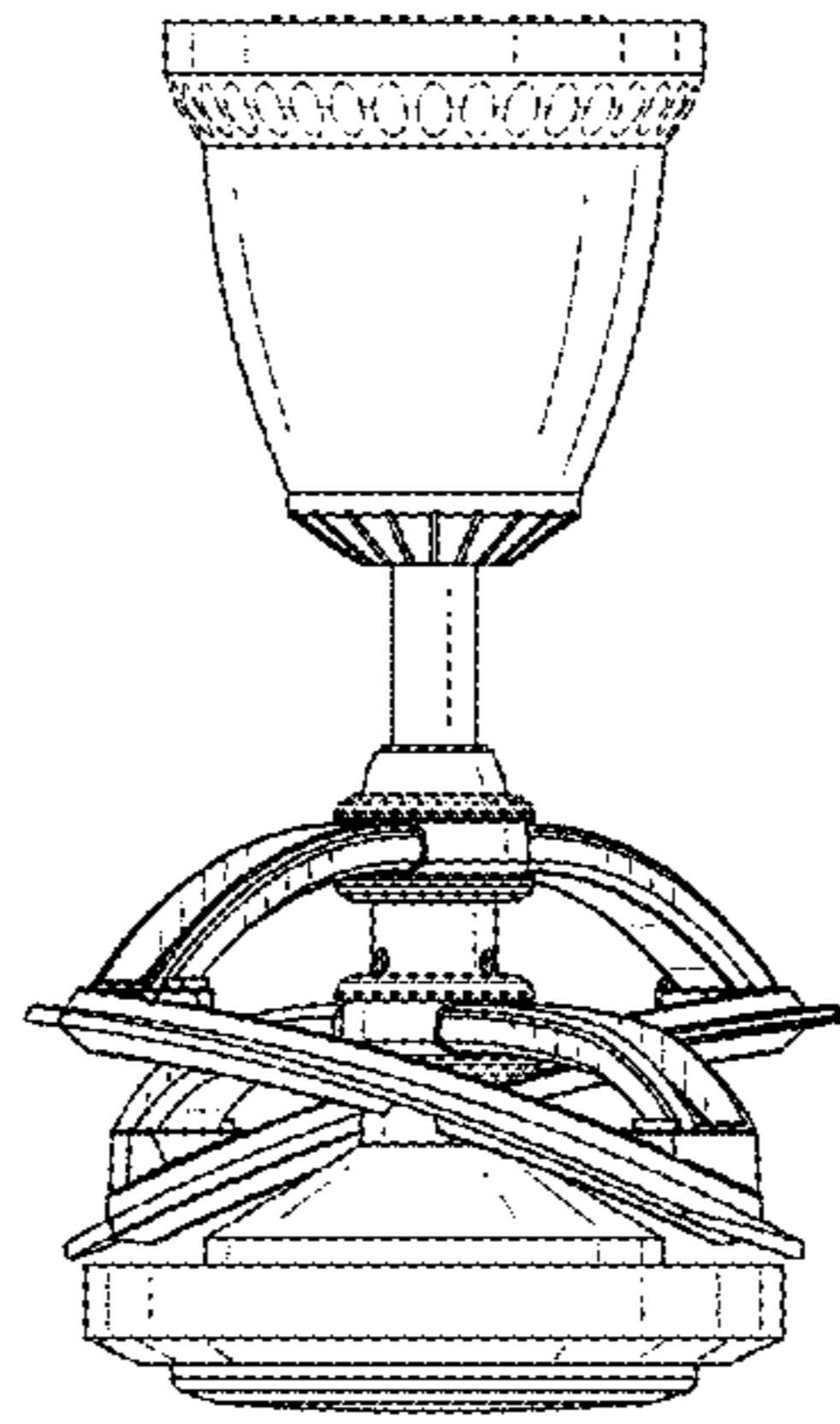


FIG. 4

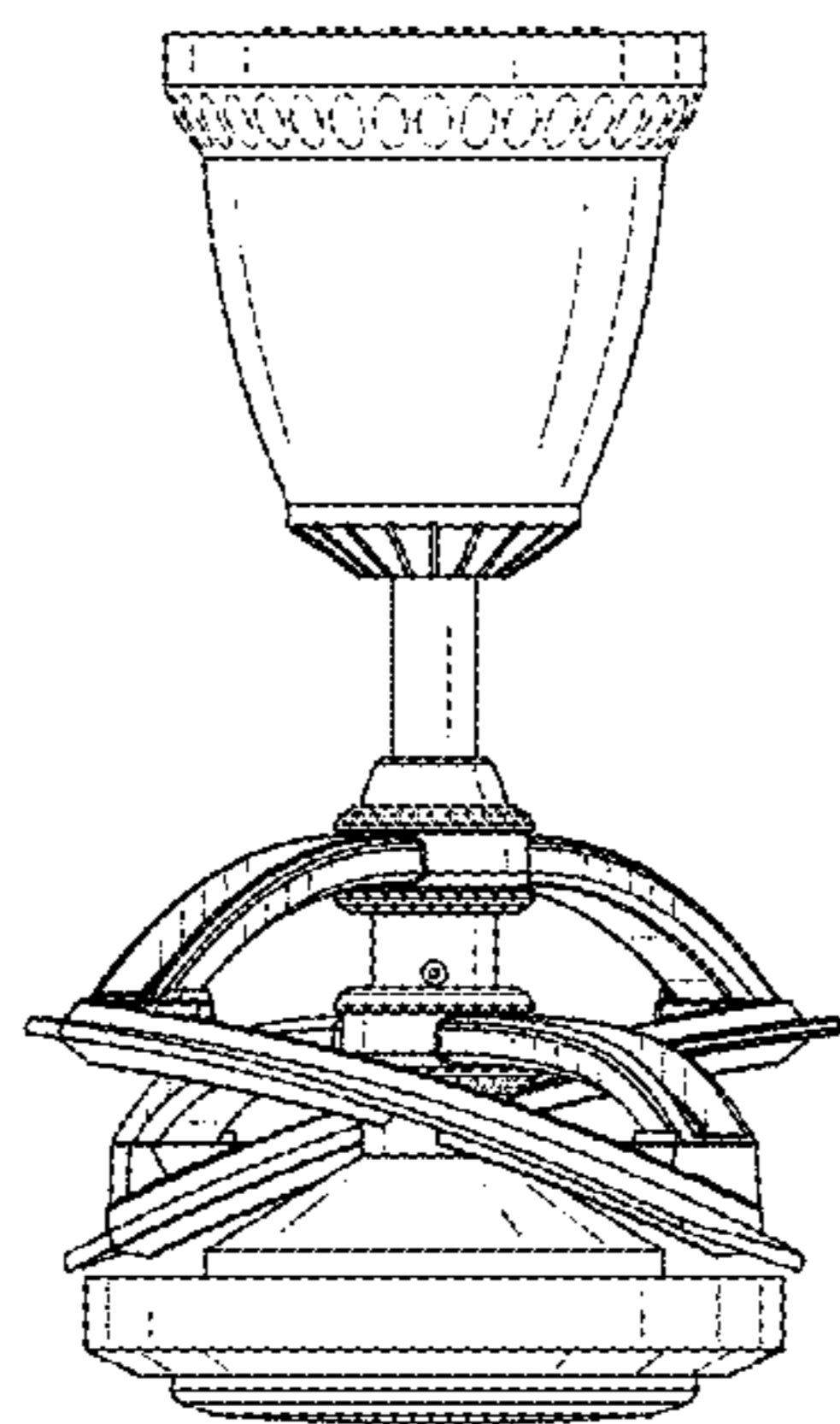


FIG. 5

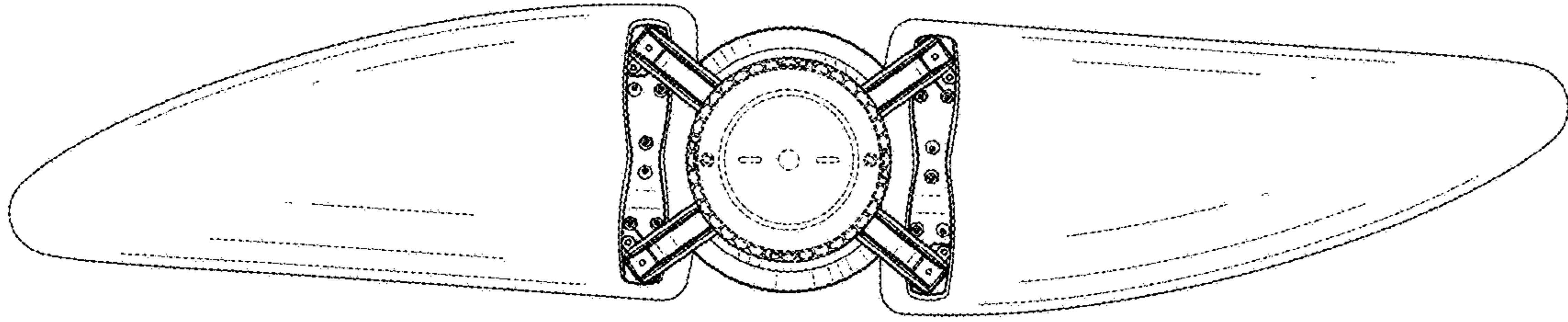


FIG. 6

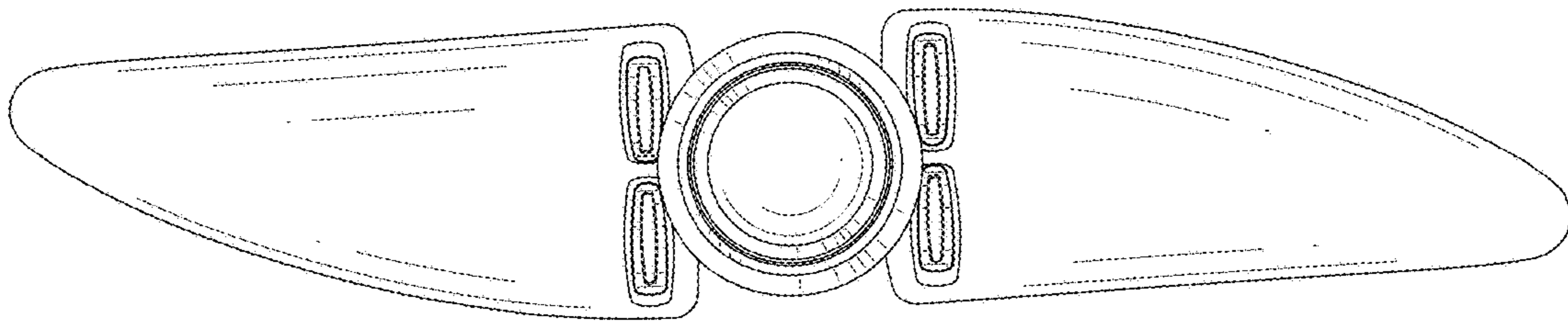


FIG. 7

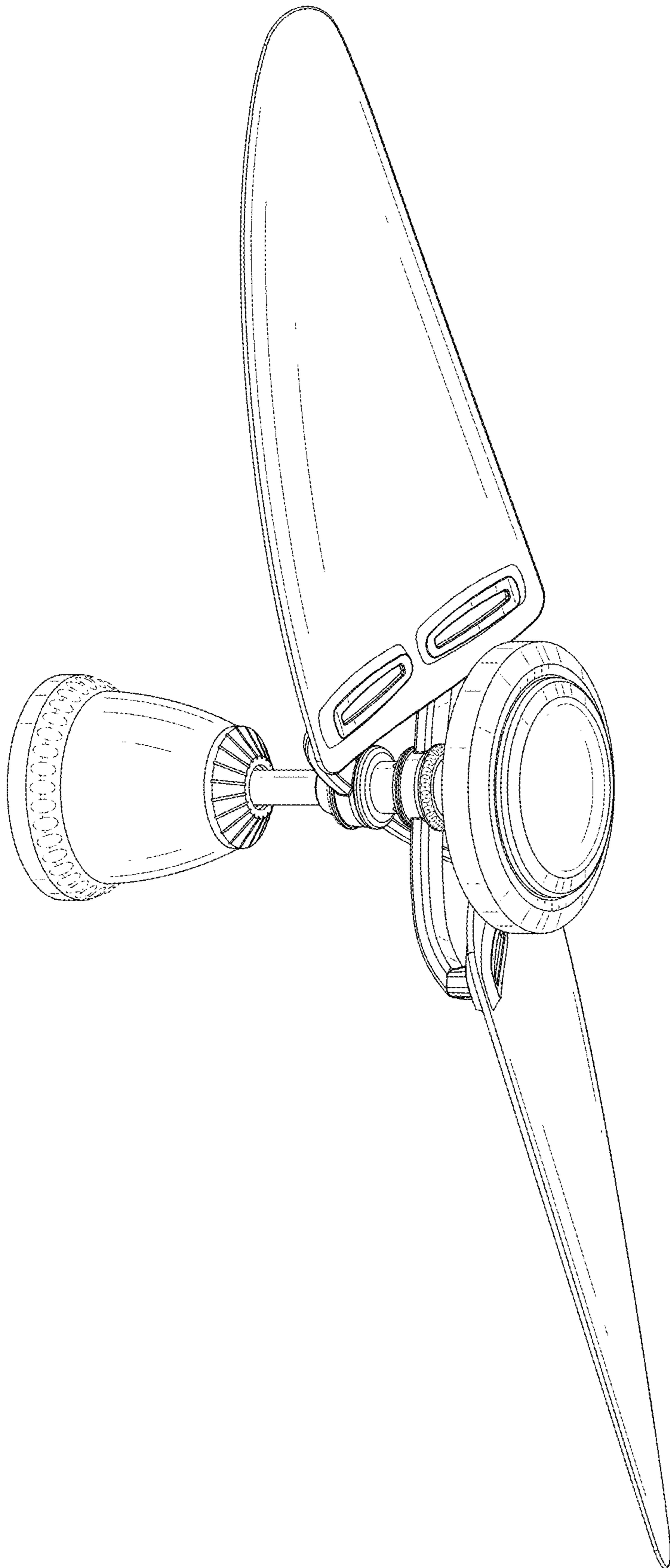


FIG. 8