



US00D794765S

(12) **United States Design Patent** (10) **Patent No.:** **US D794,765 S**
Brandenburg et al. (45) **Date of Patent:** **** Aug. 15, 2017**

(54) **AIR FRESHENER**
(71) Applicant: **Hayloft Enterprises, Inc.**, Wilmington, DE (US)

D461,393 S * 8/2002 Aubert Capella D6/300
D481,787 S 11/2003 Millan
D483,460 S 12/2003 Millan
(Continued)

(72) Inventors: **Kyle Brandenburg**, Middletown, DE (US); **Frank M. Lesniak**, Media, PA (US)

FOREIGN PATENT DOCUMENTS

CA 2697578 A1 * 10/2010 A01M 1/2055

(73) Assignee: **Hayloft Enterprises, Inc.**, Wilmington, DE (US)

OTHER PUBLICATIONS

Autopia, Air Freshener Giveaway, posted on Sep. 9, 2014, [online], [site visited on Mar. 10, 2017]. Available from Internet, <URL: <http://www.autopia.org/forums/autopia-product-contests-giveaways/46293-9-weeks-win-duo-air-freshener-giveaway-week-7-a.html>>.*

(**) Term: **15 Years**

Primary Examiner — Sheryl Lane
Assistant Examiner — Samantha Wood
(74) *Attorney, Agent, or Firm* — Rogowski Law LLC

(21) Appl. No.: **29/553,466**

(22) Filed: **Feb. 2, 2016**

(51) **LOC (10) Cl.** **28-99**

(52) **U.S. Cl.**
USPC **D23/366**

(58) **Field of Classification Search**
USPC D23/355-369; D28/5, 6; D26/14, 17, D26/98, 9, 22, 24, 26, 37, 38; D11/131.1; D7/509; 261/DIG. 88, 261/DIG. 17, DIG. 89, DIG. 65, DIG. 42
CPC A61L 9/00; A61L 9/02; A61L 9/03; A61L 9/032; A61L 9/035; A61L 9/037; A61L 9/04; A61L 9/12; A61L 9/127; A24F 25/02; B05B 11/068; C23C 16/4481; A01M 1/2077

See application file for complete search history.

(57) **CLAIM**

The ornamental design for an air freshener, as shown and described.

DESCRIPTION

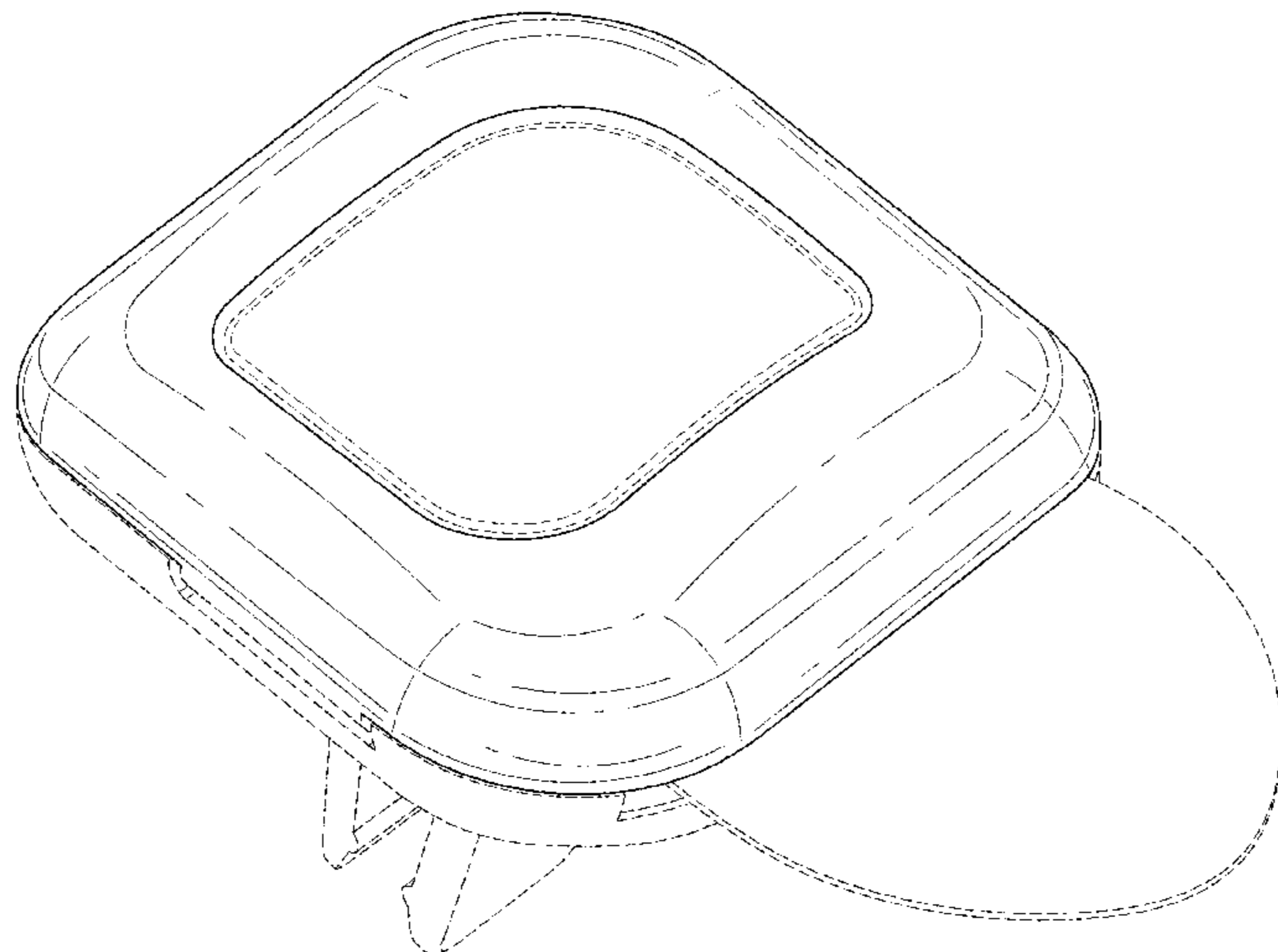
FIG. 1 is a right front perspective view of an air freshener; FIG. 2 is a right side elevational view of the air freshener of FIG. 1; FIG. 3 is a left side elevational view of the air freshener of FIG. 1; FIG. 4 is a front elevational view of the air freshener of FIG. 1; FIG. 5 is a rear elevational view of the air freshener of FIG. 1; FIG. 6 is a top plan view of the air freshener of FIG. 1; and, FIG. 7 is a bottom plan view of the air freshener of FIG. 1. The broken lines showing portions of the air freshener are included for the purpose of illustrating the portions of the article and form no part of the claimed design.

(56) **References Cited**

U.S. PATENT DOCUMENTS

D214,943 S * 8/1969 Zapolski D26/37
D257,479 S * 11/1980 Carre D10/30
5,004,113 A * 4/1991 Nogawa A61M 39/20
215/358
5,478,505 A * 12/1995 McElfresh B60H 3/0007
239/57
6,015,094 A * 1/2000 Por B60H 3/0014
239/44

1 Claim, 7 Drawing Sheets



(56)

References Cited

U.S. PATENT DOCUMENTS

D503,973 S	4/2005	Millan			
7,070,172 B2	7/2006	Fabrega et al.			
D526,422 S *	8/2006	Yuen	D26/26		
D532,893 S	11/2006	Wu			
D533,952 S *	12/2006	Adams	D26/9		
D536,082 S *	1/2007	Pugh	D23/366		
D544,592 S	6/2007	Caserta et al.			
D544,594 S	6/2007	Zobebe			
D565,160 S *	3/2008	Virr	D23/358		
D597,644 S *	8/2009	Wu	D23/366		
D606,185 S *	12/2009	Wefler	D23/366		
D613,388 S	4/2010	Koenig et al.			
D616,126 S *	5/2010	Fujiwara	D26/38		
D618,329 S	6/2010	Koenig et al.			
D621,021 S *	8/2010	Koenig	D23/368		
D621,926 S	8/2010	Christensen			
D628,284 S	11/2010	Ko et al.			
D629,500 S *	12/2010	Koenig	D23/368		
D629,881 S *	12/2010	Valentino	D23/368		
D631,954 S	2/2011	Bertassi et al.			
D633,610 S	3/2011	Wu			
D639,984 S *	6/2011	Stolte	D26/26		
D642,668 S	8/2011	Lablaine			
D647,186 S	10/2011	Chan et al.			
D664,246 S *	7/2012	Irvin	A61L 9/125 D23/356		
D667,151 S *	9/2012	Arslanian	D26/9		
8,455,454 B2	6/2013	Wang et al.			
D692,549 S *	10/2013	Wirz	D23/366		
D694,382 S *	11/2013	Brandenburg	D23/366		
D696,762 S *	12/2013	Lin	D23/366		
D698,018 S *	1/2014	Choi	D23/366		
D709,172 S *	7/2014	Brandenburg	D23/366		
D712,572 S *	9/2014	Dai	D26/26		
D731,097 S *	6/2015	Dai	D26/26		
D778,424 S *	2/2017	Jonas	D23/388		
2005/0127538 A1 *	6/2005	Fabrega	A01M 1/2033 261/104		
2008/0253755 A1 *	10/2008	Smith	A61L 9/037 392/386		

* cited by examiner

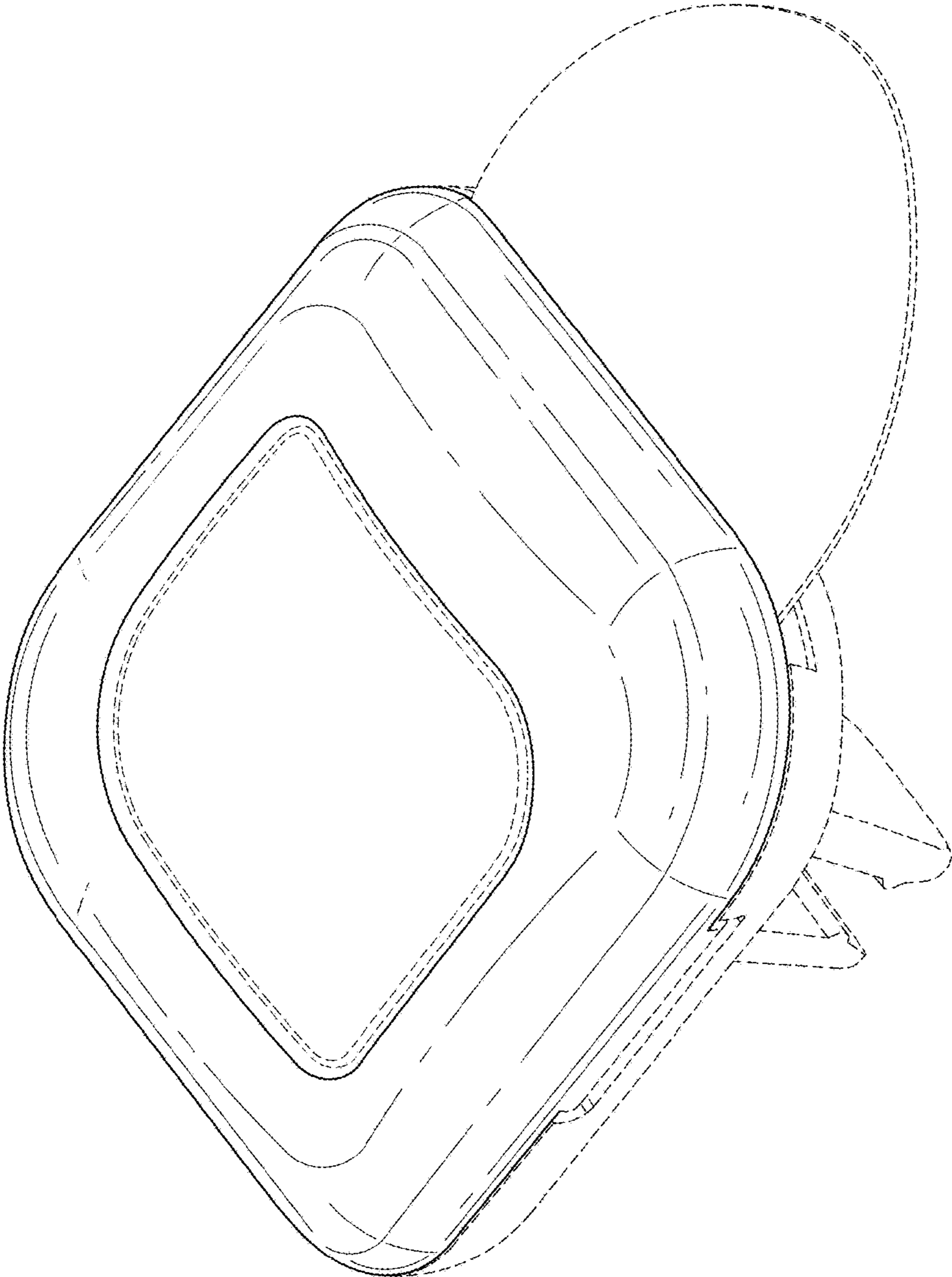


FIG. 1

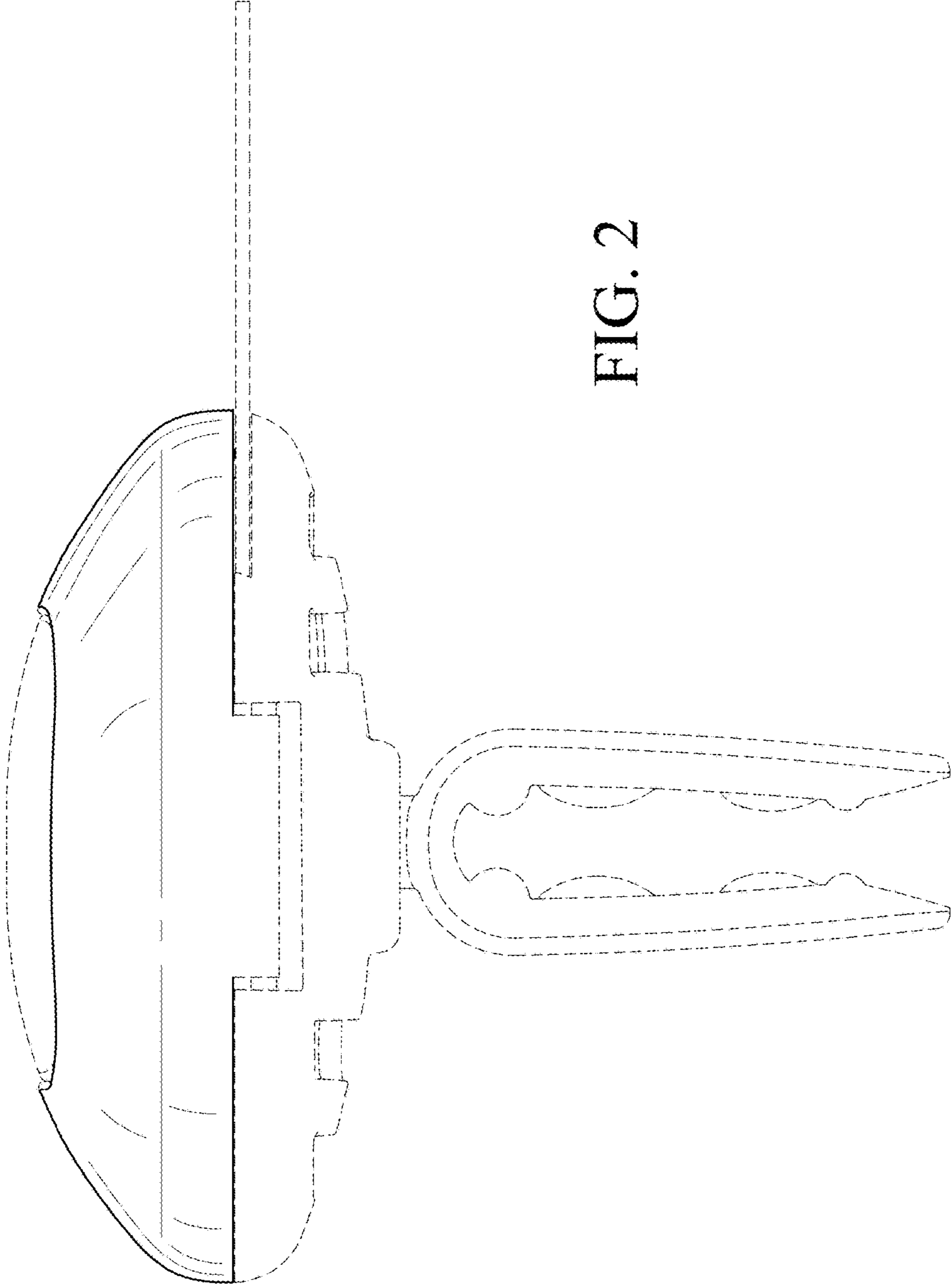


FIG. 2

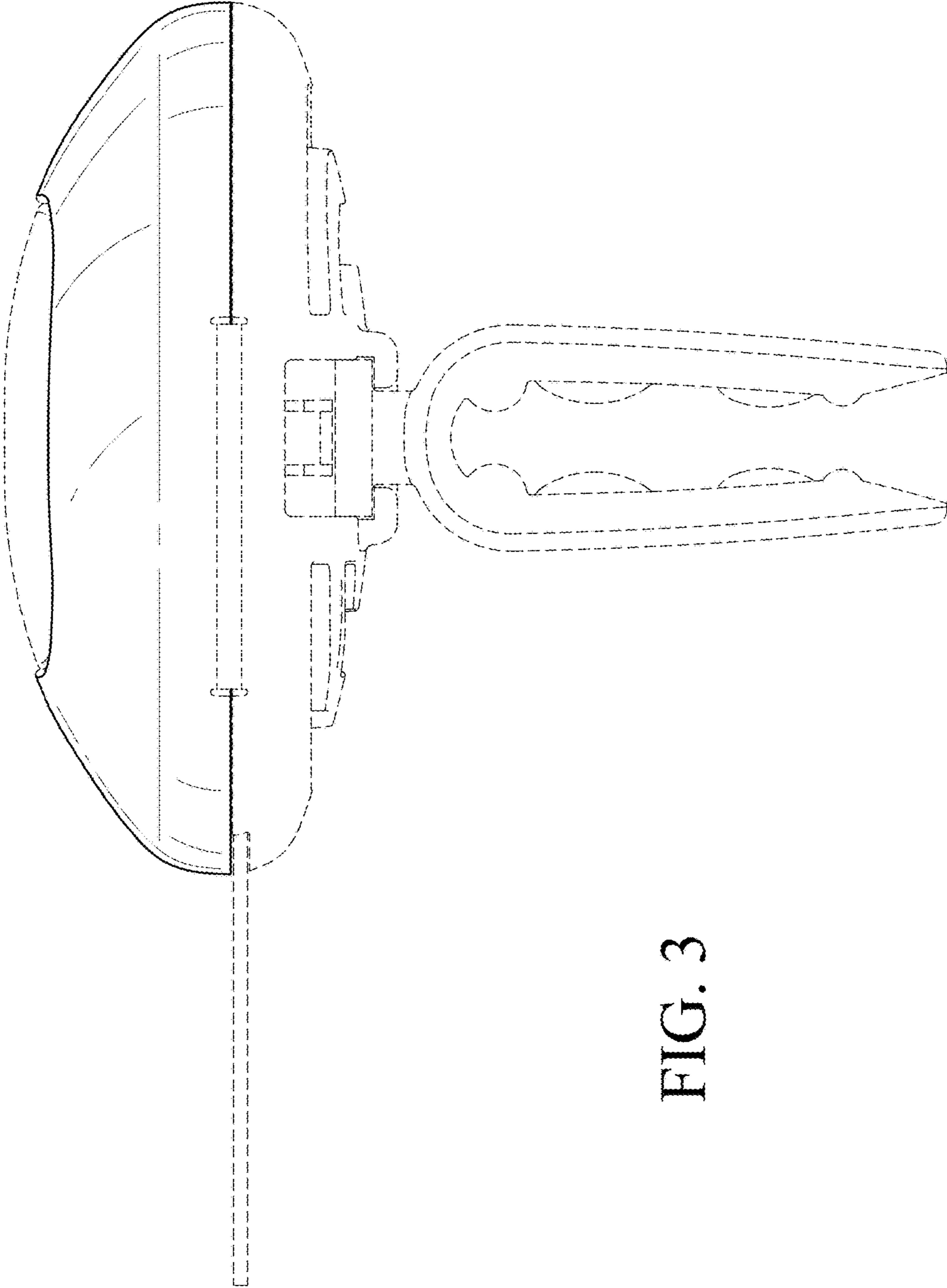


FIG. 3

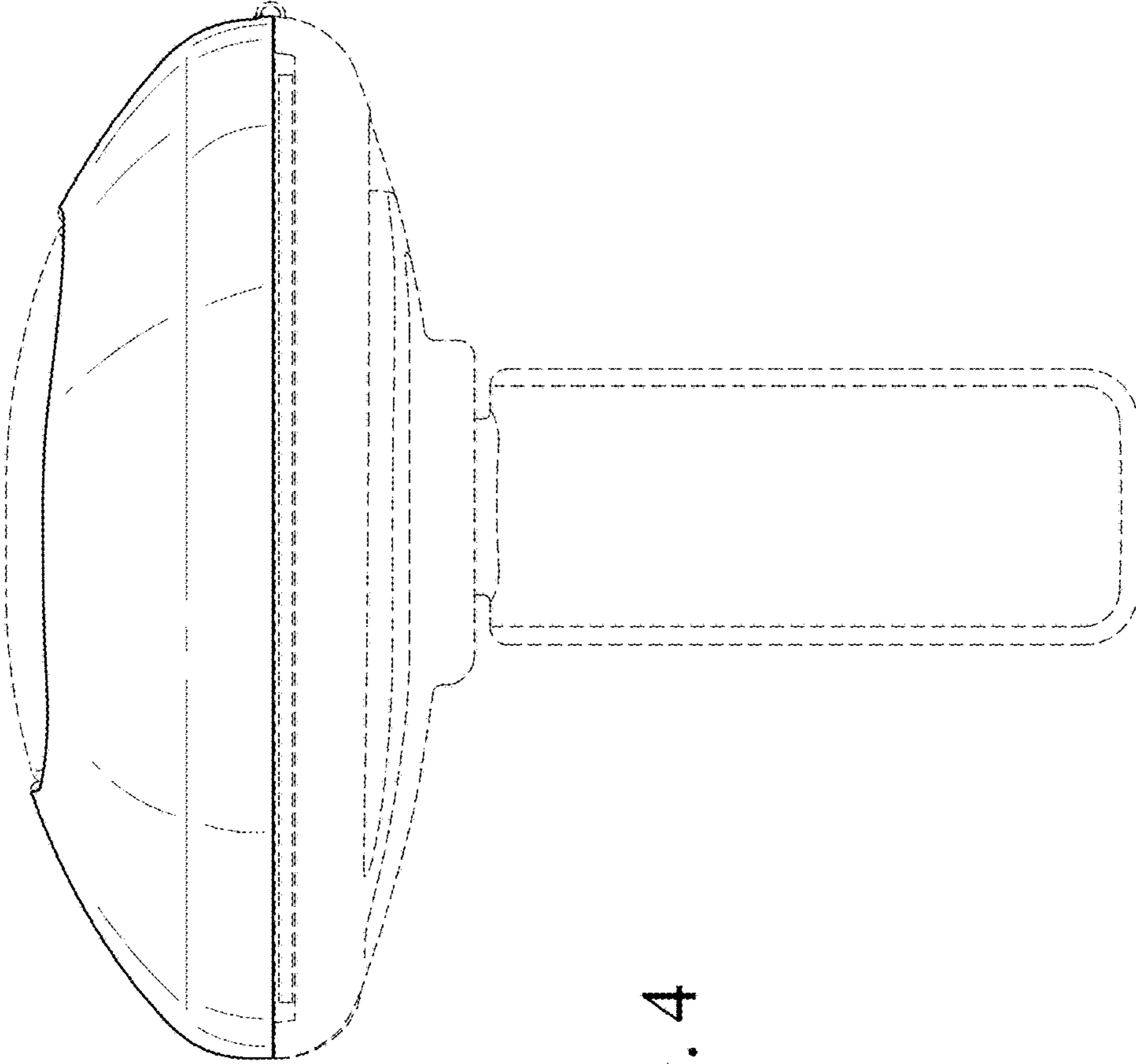


FIG. 4

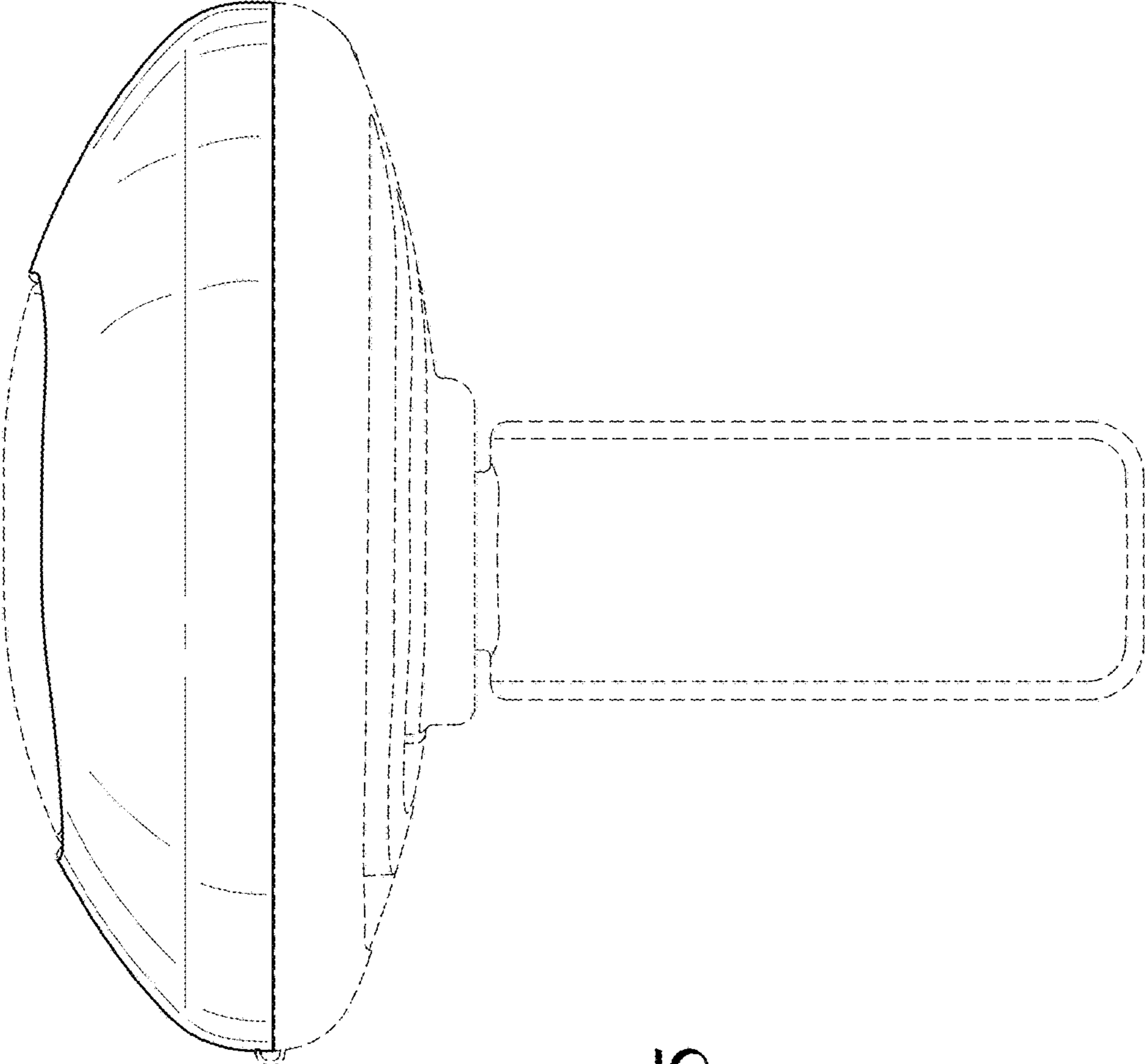


FIG. 5

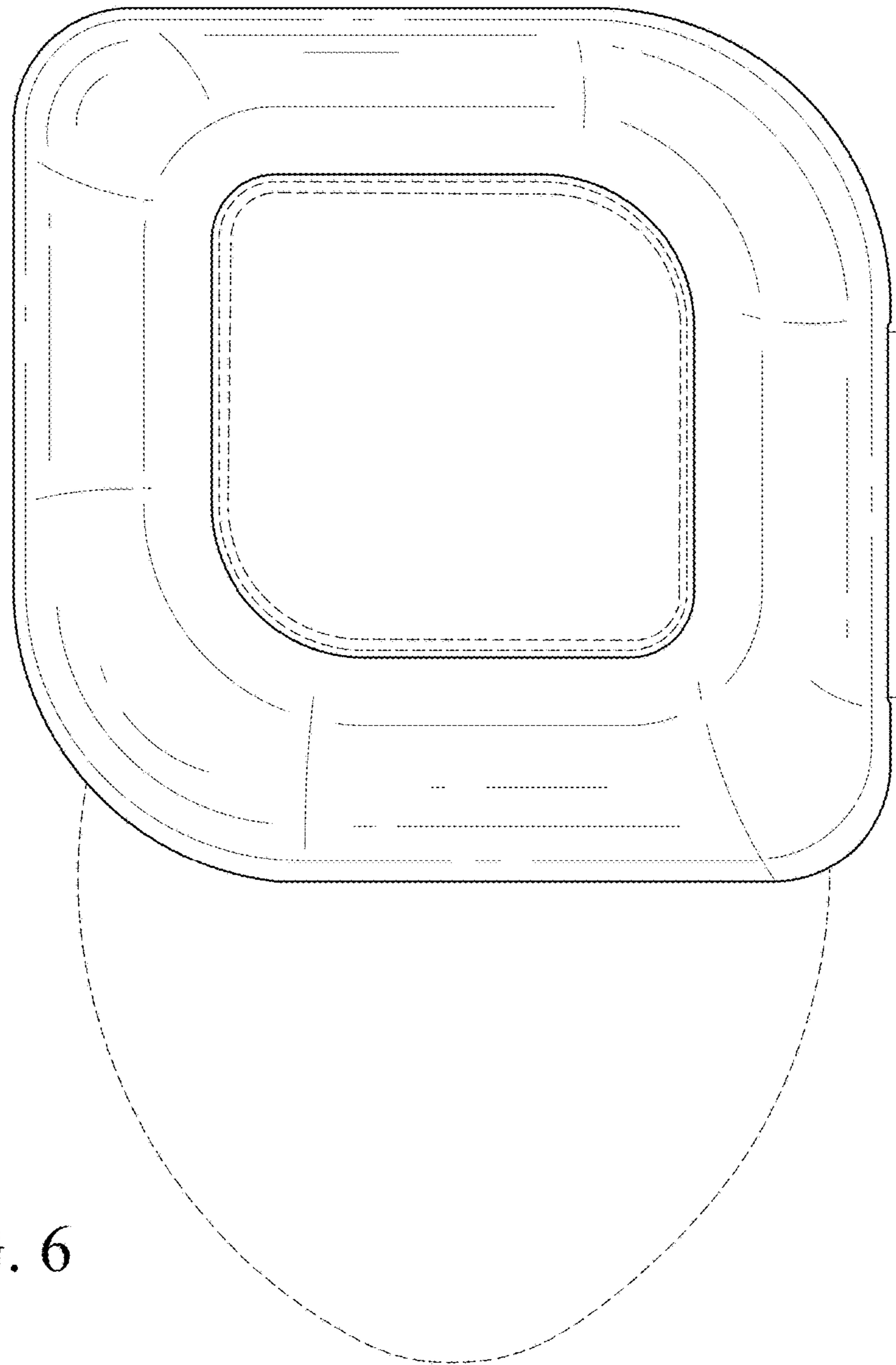


FIG. 6

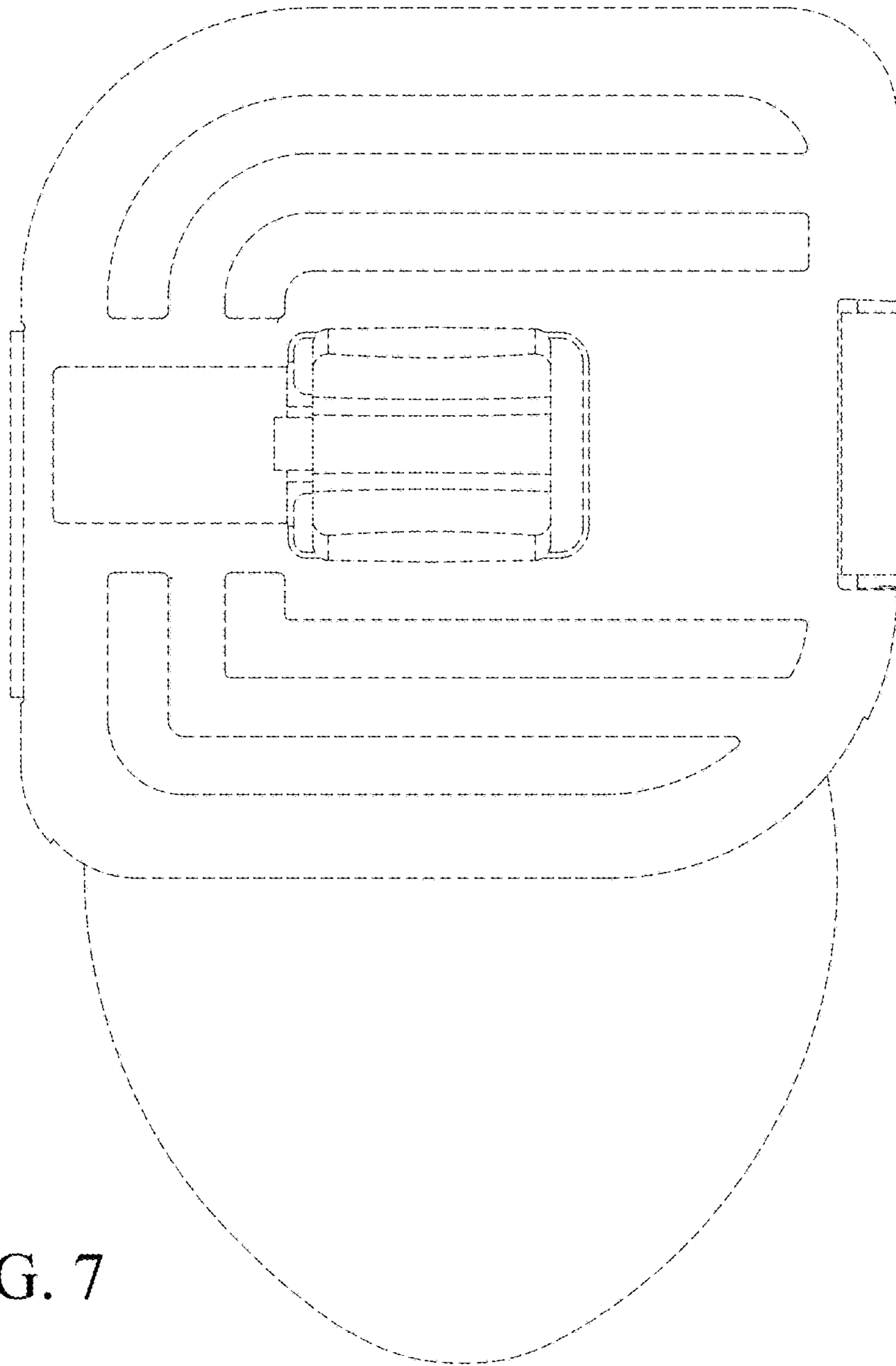


FIG. 7