



US00D794764S

(12) **United States Design Patent**
Carter

(10) **Patent No.:** **US D794,764 S**

(45) **Date of Patent:** **** Aug. 15, 2017**

(54) **SHORT ANGLED FILTER HOUSING**

(71) Applicant: **Scott Carter**, Rogers, AR (US)

(72) Inventor: **Scott Carter**, Rogers, AR (US)

(**) Term: **14 Years**

(21) Appl. No.: **29/524,543**

(22) Filed: **Apr. 21, 2015**

Related U.S. Application Data

(63) Continuation-in-part of application No. 29/448,658, filed on Mar. 13, 2013, now Pat. No. Des. 742,496, and a continuation-in-part of application No. 29/471,889, filed on Nov. 6, 2013, now Pat. No. Des. 727,487, and a continuation-in-part of application No. 14/637,042, filed on Mar. 3, 2015, now abandoned.

(51) **LOC (10) Cl.** **23-04**

(52) **U.S. Cl.**
USPC **D23/365**

(58) **Field of Classification Search**
USPC D23/365, 209, 363, 358, 386, 354, 341, D23/364, 31; 55/385.3, 502, 497, 506, 55/505, 521, 495, 422, 493, DIG. 30; 210/435, 130, 136, 248, 339, 448, 452, 210/497.1; D15/5
CPC B01D 46/0004; B01D 46/0005; B01D 46/0006; B01D 46/0008; B01D 46/0009; B01D 46/001; B01D 46/0013; B01D 46/521

See application file for complete search history.

(56) **References Cited**

U.S. PATENT DOCUMENTS

2,966,959 A * 1/1961 Neumann B01D 46/125
55/484
D204,839 S 5/1966 Bishop 62/4

4,157,251 A 6/1979 Colomer 55/242
4,685,944 A * 8/1987 Allan B01D 46/0004
55/491
4,969,936 A * 11/1990 Schweigert B01D 46/125
96/129
5,080,699 A 1/1992 Ho et al. 55/179
5,223,011 A * 6/1993 Hanni B01D 46/125
55/484
5,593,476 A * 1/1997 Coppom B03C 3/155
95/78
5,733,350 A * 3/1998 Muller B01D 53/0407
55/482
5,759,239 A 6/1998 Yu 96/3
6,214,076 B1 4/2001 Beier et al. 55/484
D455,826 S * 4/2002 Gillingham D23/365
D469,863 S * 2/2003 Kice D23/386
6,835,128 B1 * 12/2004 Olson F24F 3/044
454/158

(Continued)

Primary Examiner — David Muller

(74) *Attorney, Agent, or Firm* — Keisling & Pieper PLC;
David B. Pieper

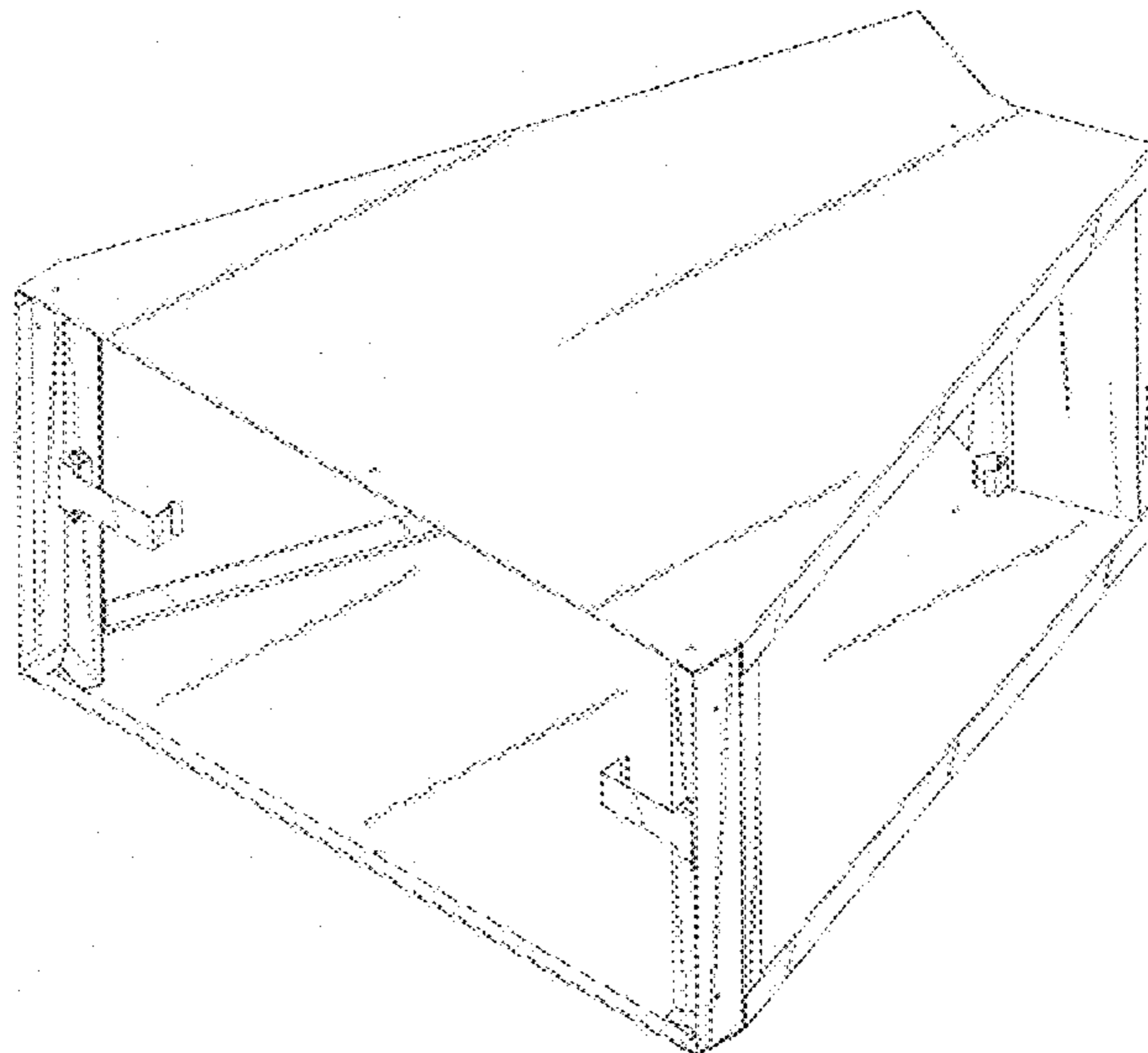
(57) **CLAIM**

The ornamental design for a short angled filter housing, as shown and described.

DESCRIPTION

FIG. 1 is a back view of a short angled filter housing with an outer housing holding channel slots and vertical supports showing my new design;
FIG. 2 is a top plan view thereof, the bottom view being the same;
FIG. 3 is a front elevation view thereof;
FIG. 4 is a left side elevation view thereof;
FIG. 5 is a right side elevation view thereof;
FIG. 6 is an angled left side elevation view thereof
FIG. 7 is an angled right side elevation view thereof; and,
FIG. 8 is an isometric view thereof.

1 Claim, 8 Drawing Sheets



(56)

References Cited

U.S. PATENT DOCUMENTS

7,156,898	B2 *	1/2007	Jaisinghani	B03C 3/09 264/257
D584,807	S	1/2009	Sundvik et al.	23/365
7,585,346	B2 *	9/2009	Roseberry	B01D 46/30 55/484
8,303,678	B2	11/2012	Steele et al.	55/490
8,603,229	B2 *	12/2013	Tatarchuk	B01D 46/002 55/482
8,747,506	B2 *	6/2014	Borkent	B01D 46/0023 55/495
2007/0199449	A1	8/2007	Wiser et al.	96/69
2011/0236448	A1	9/2011	Cundell et al.	424/402
2011/0252759	A1	10/2011	Nicholas	55/497

* cited by examiner

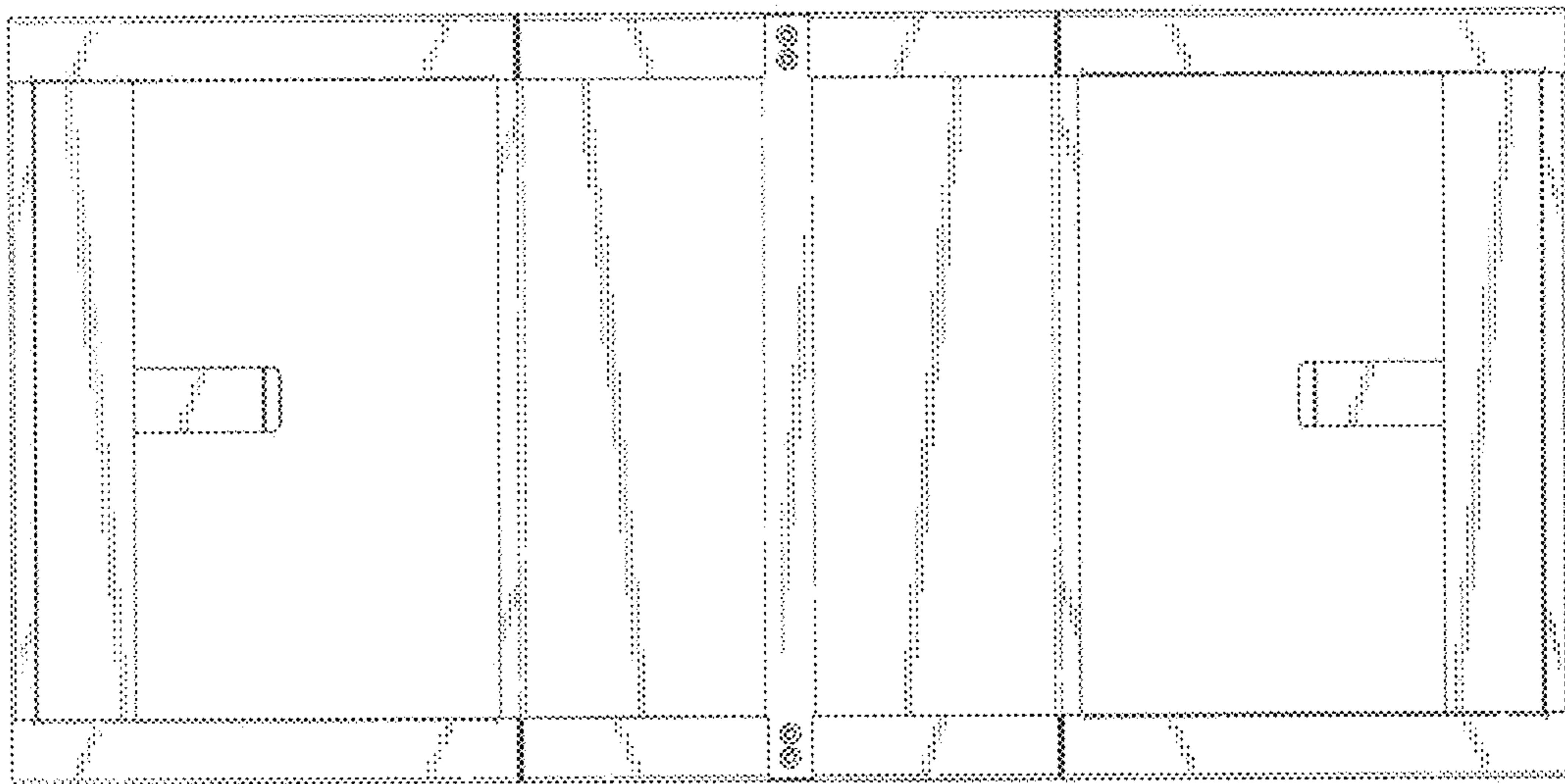


FIG. 1

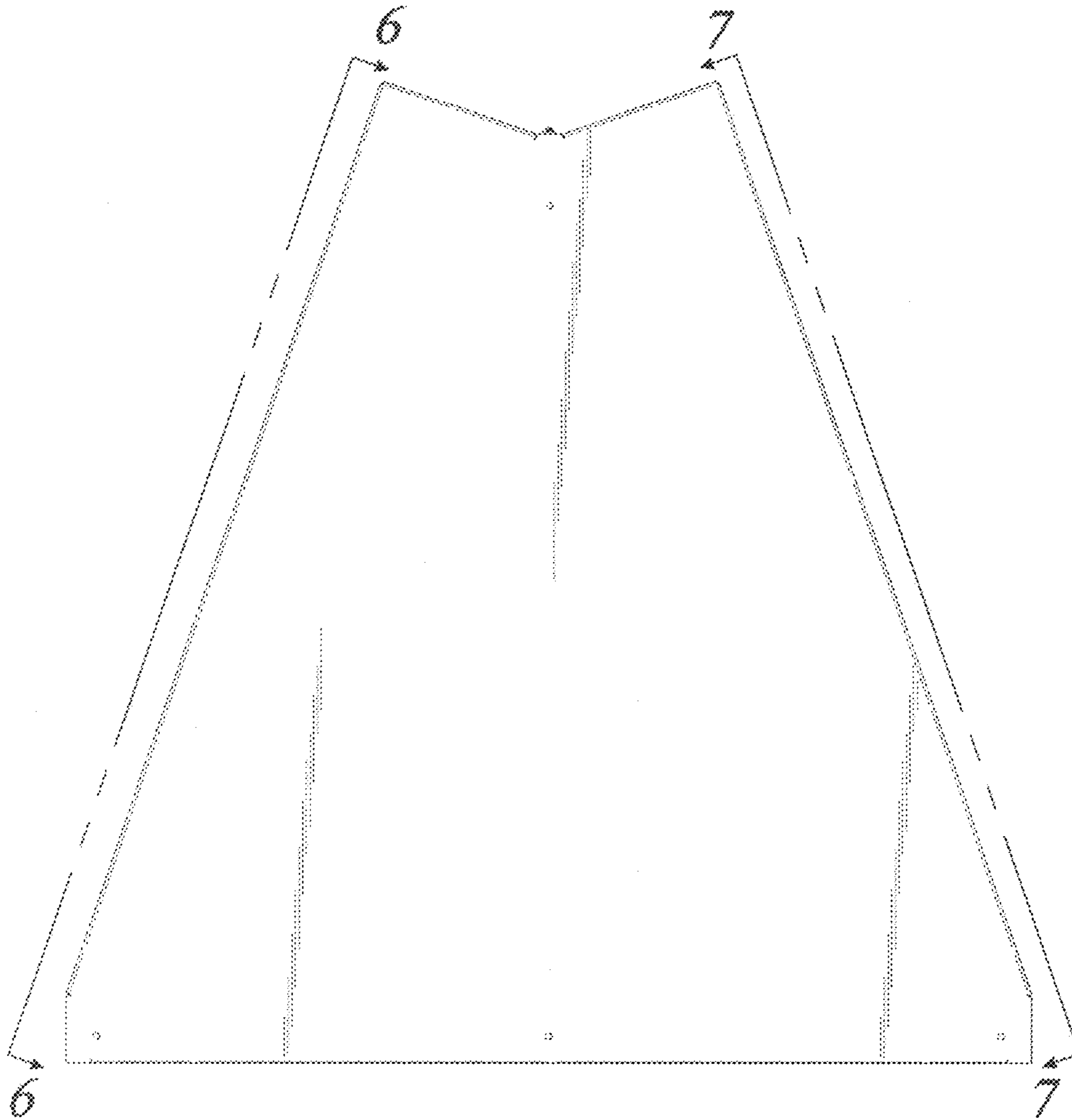


FIG. 2

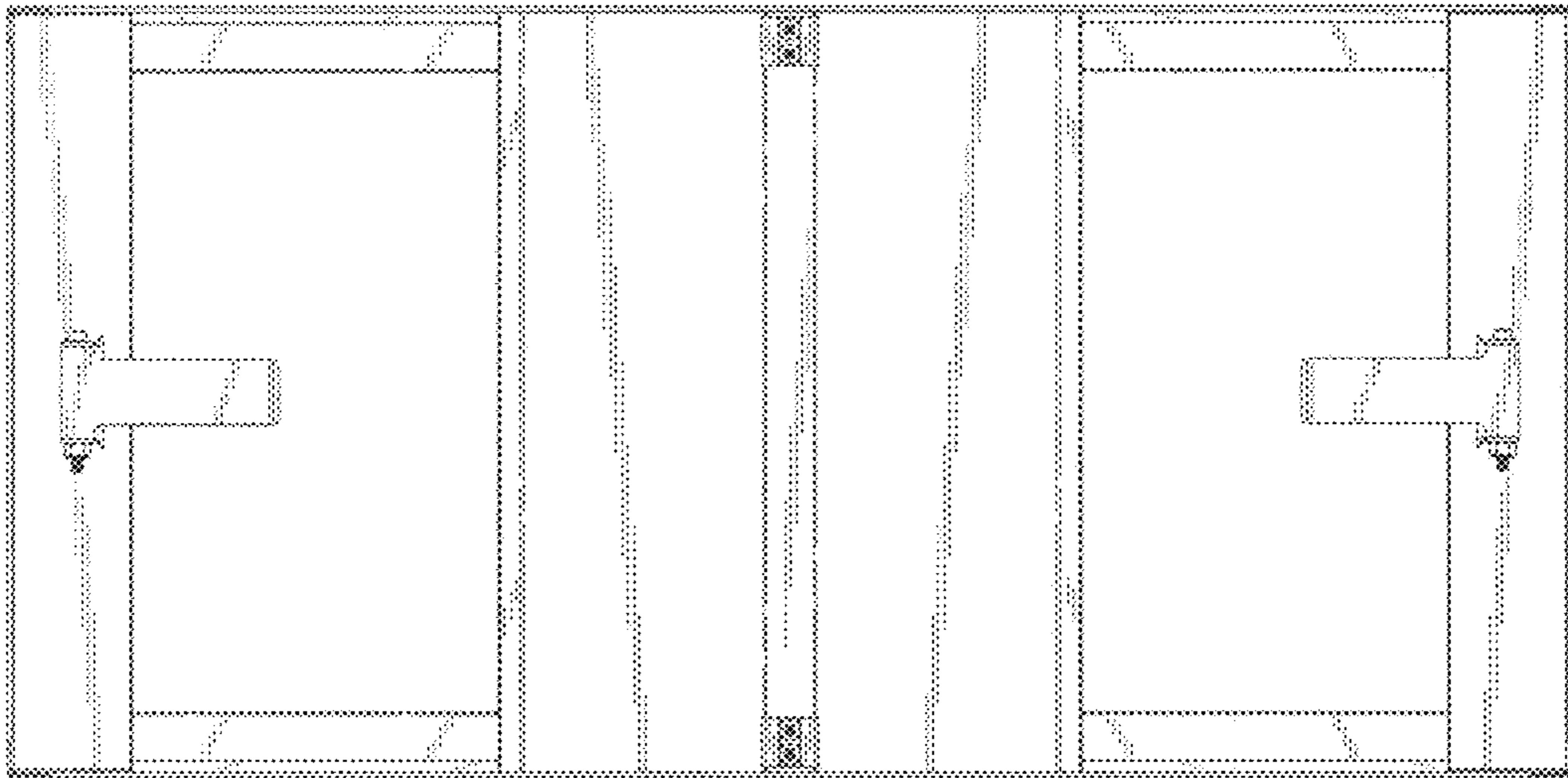


FIG. 3

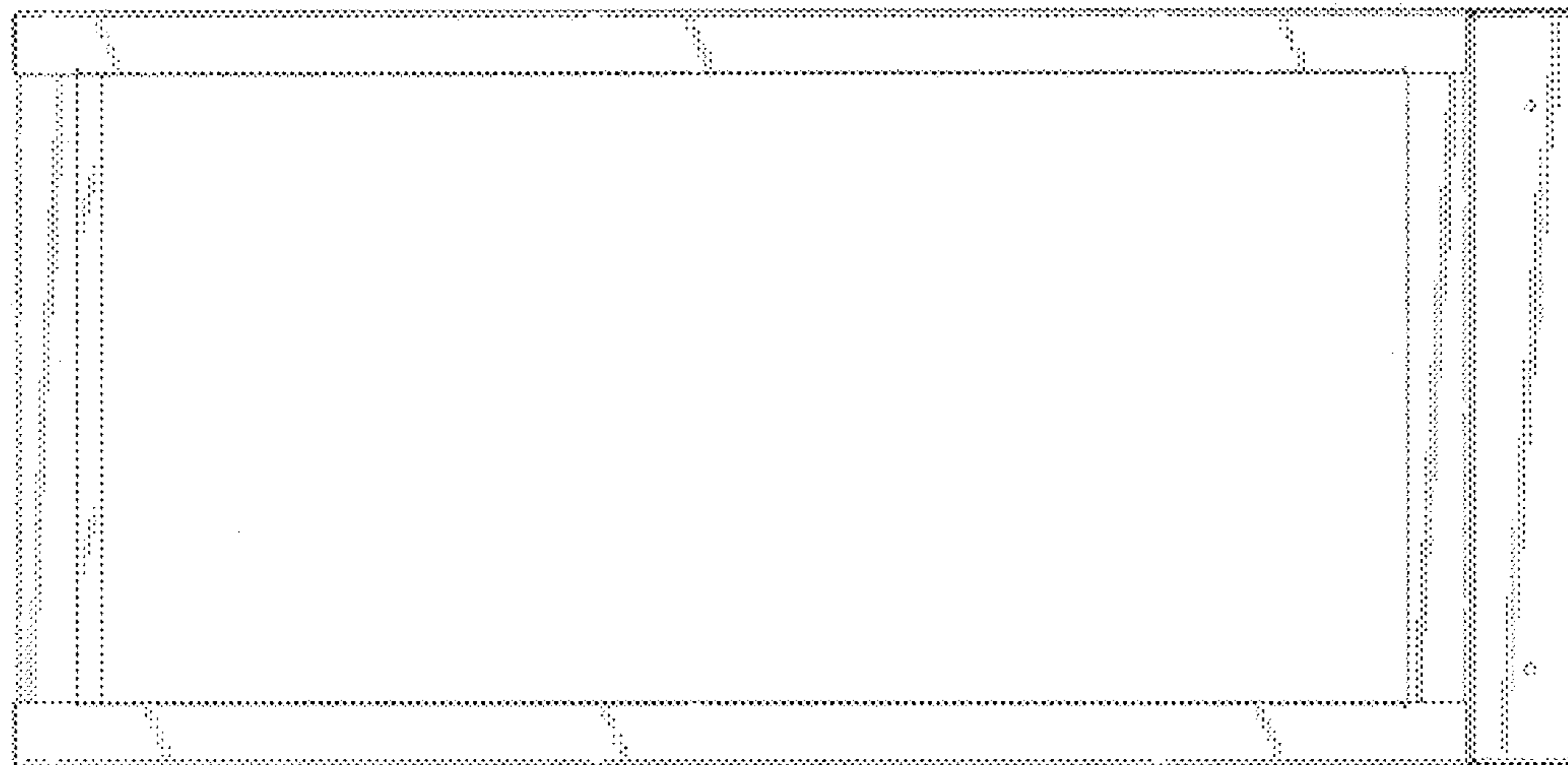


FIG. 4

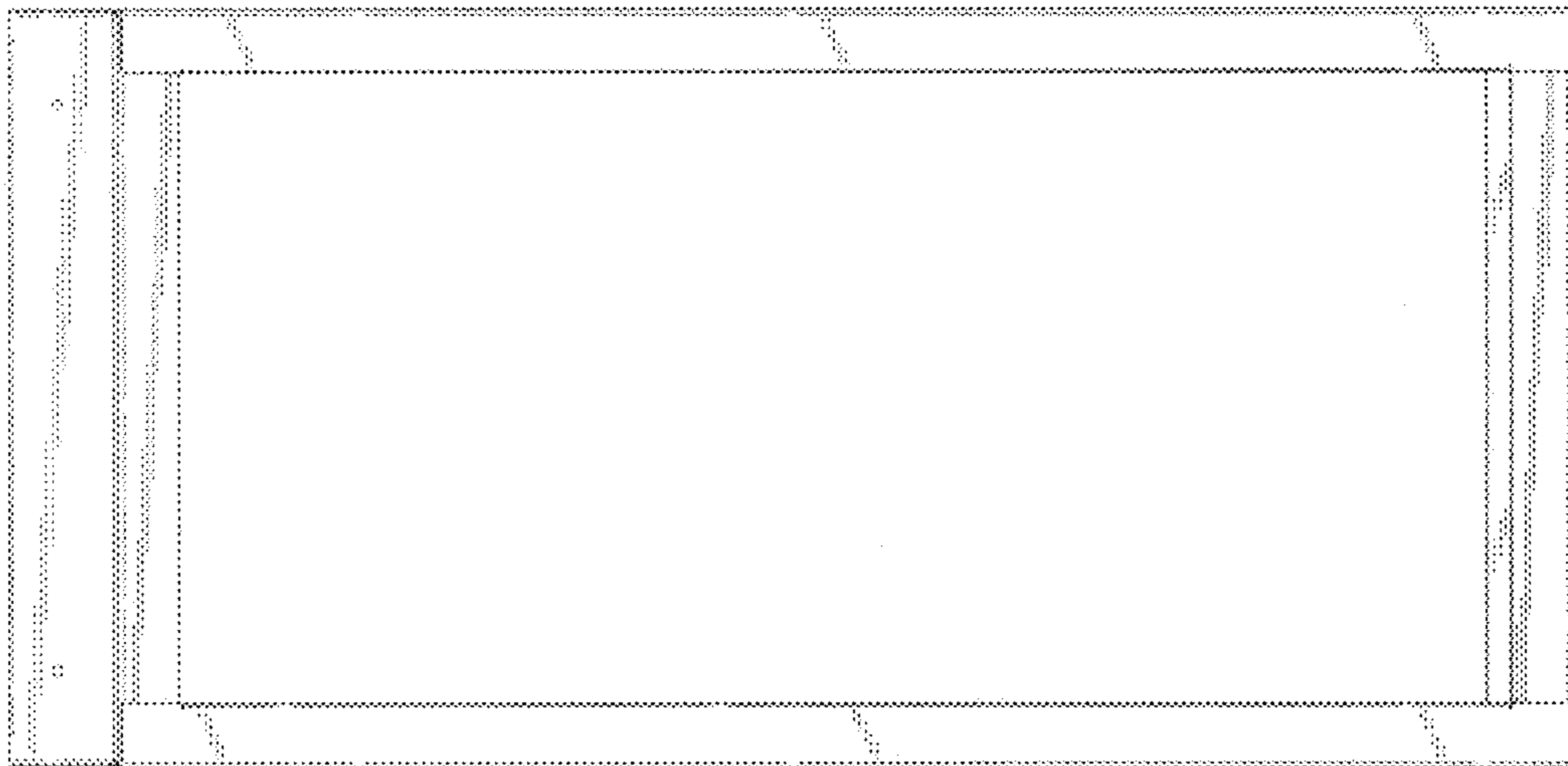


FIG. 5

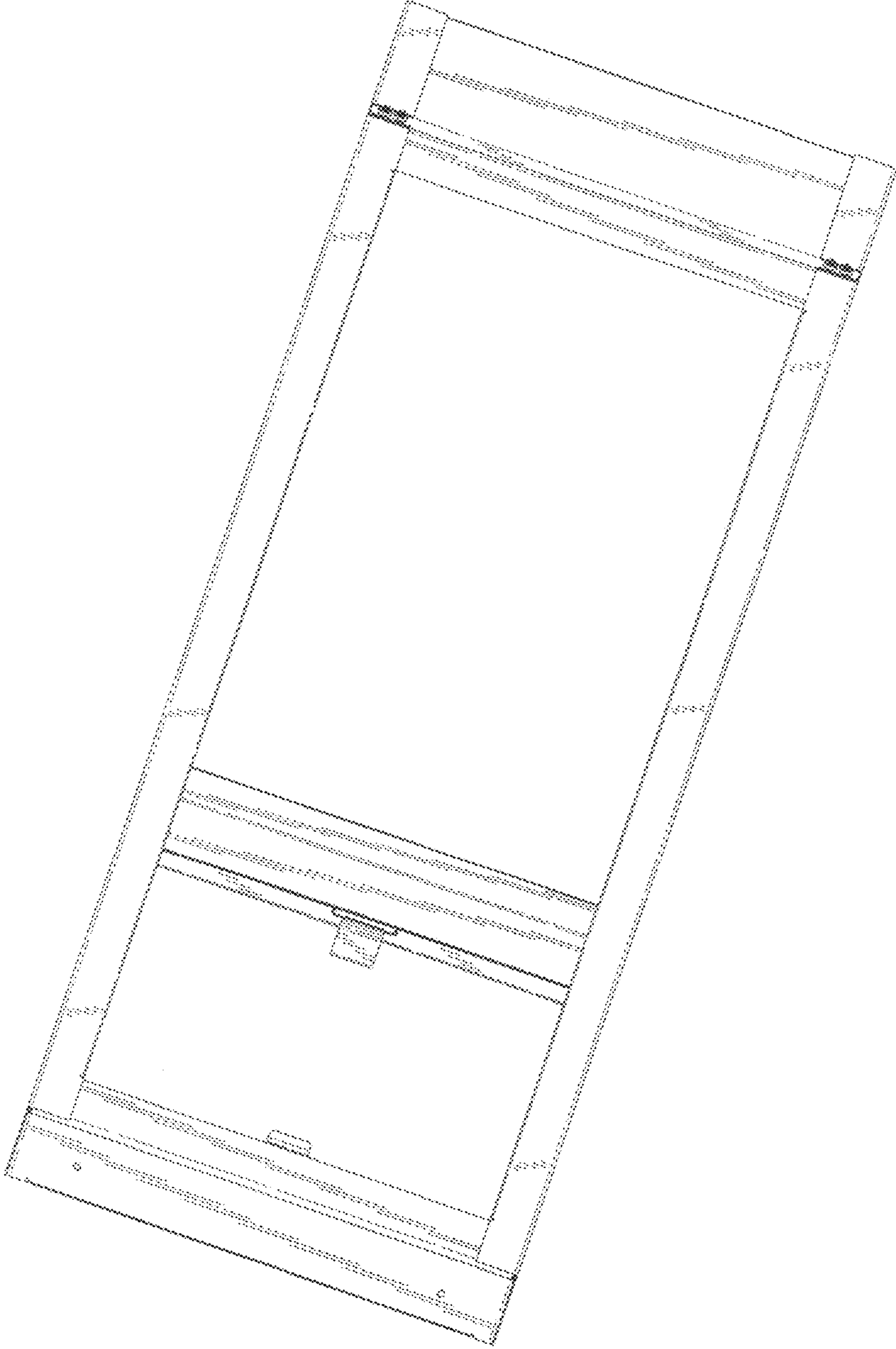


FIG. 6

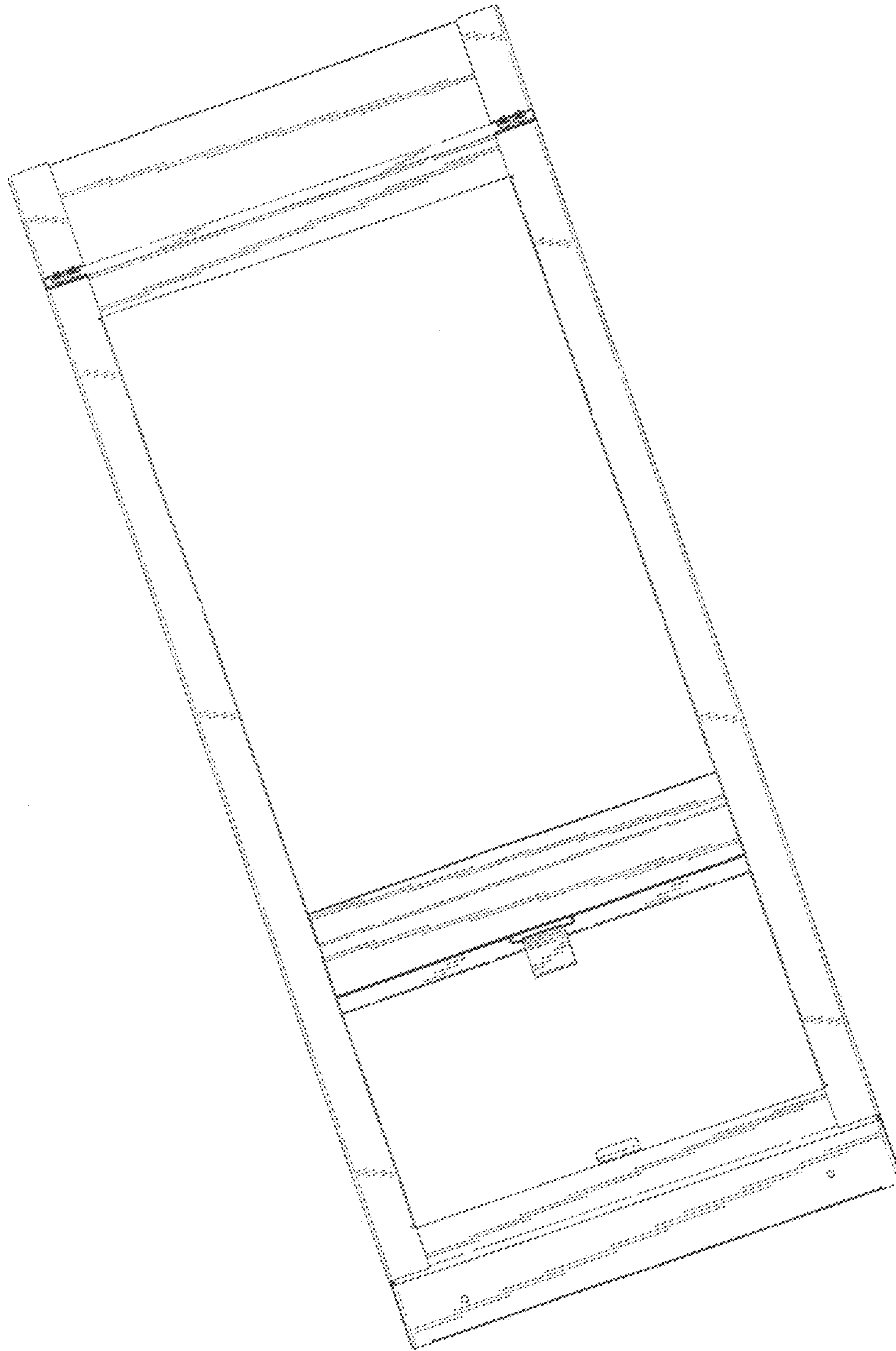


FIG. 7

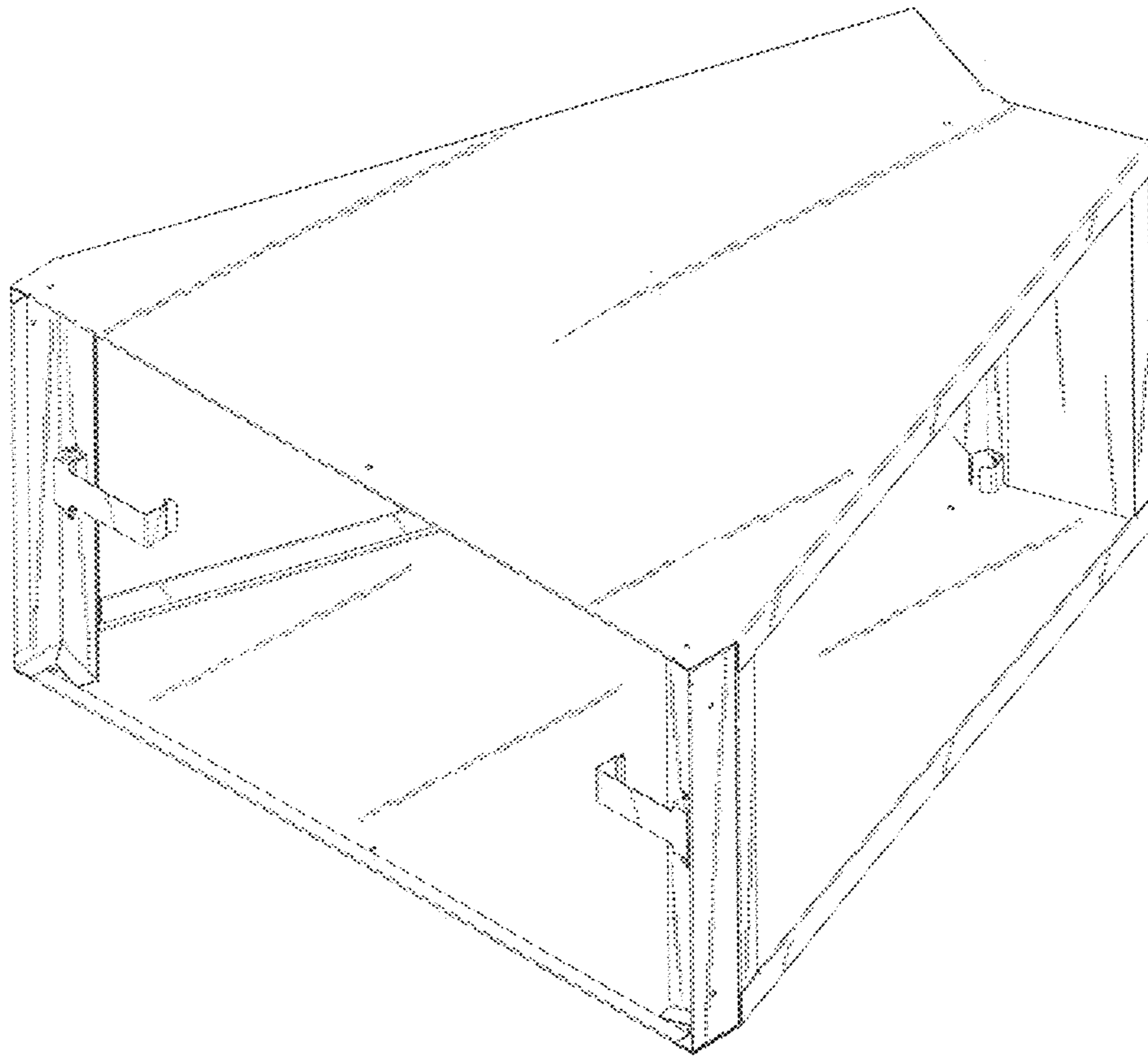


FIG. 8