



US00D794761S

(12) **United States Design Patent** (10) **Patent No.:** **US D794,761 S**
Schaffart et al. (45) **Date of Patent:** **** Aug. 15, 2017**

(54) **HEATER**
(71) Applicant: **Modine Manufacturing Company**,
Racine, WI (US)
(72) Inventors: **Raymond Schaffart**, New Berlin, WI
(US); **Douglas Krimmer**, Oak Creek,
WI (US); **Richard Boothman**,
Doylestown, PA (US)
(73) Assignee: **Modine Manufacturing Company**,
Racine, WI (US)
(**) Term: **15 Years**
(21) Appl. No.: **29/559,942**
(22) Filed: **Apr. 1, 2016**
(51) **LOC (10) Cl.** **23-03**
(52) **U.S. Cl.**
USPC **D23/329**
(58) **Field of Classification Search**
USPC D23/314, 32, 329, 355, 370, 371, 383
CPC F24F 1/00; F24F 1/02; F24F 1/08; F24F
1/42; F24F 1/46; F24F 1/60; F24F
1/0003; F24F 1/007; F24F 1/0011; F24F
3/044; F24F 3/048; F24F 3/16; F24F
7/00; F24F 7/04; F24F 12/001; F24F
12/006; F24F 13/20
See application file for complete search history.

(56) **References Cited**
U.S. PATENT DOCUMENTS
4,400,185 A * 8/1983 Goettl F24F 6/04
261/106
5,188,169 A * 2/1993 Lim F24F 3/153
165/122

(Continued)
OTHER PUBLICATIONS
Modine manufacturing, Special Edition Hot Dawg Unit Heaters,
Jul. 2015, online product announcement, Retrieved Apr. 11, 2017
from <URL:http://modine.2015.johnstonevts.com/
specialeditionhotdawg/>.*

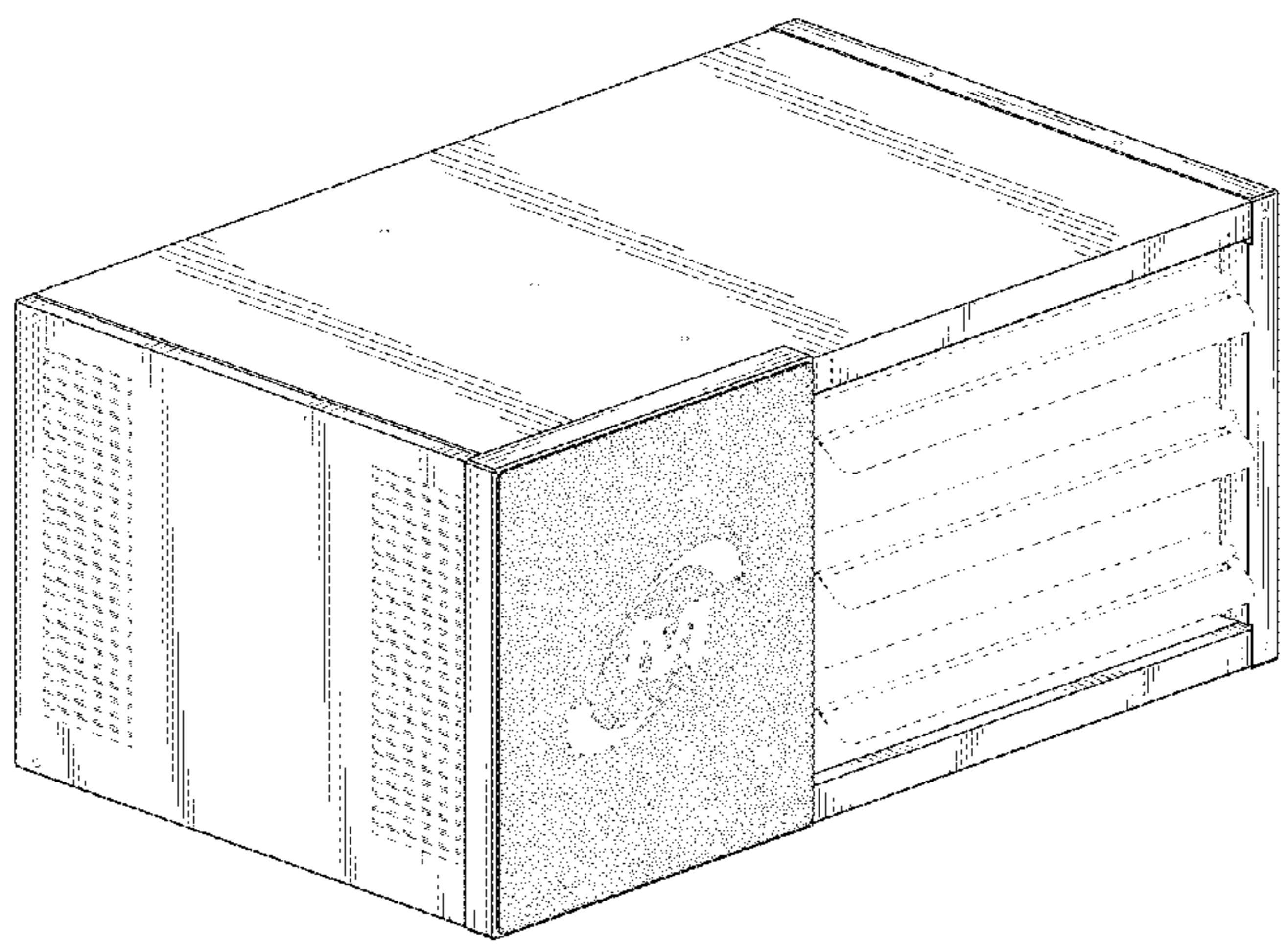
(Continued)

Primary Examiner — Sheryl Lane
Assistant Examiner — Calvin E Vansant
(74) *Attorney, Agent, or Firm* — Michael Best &
Friedrich LLP

(57) **CLAIM**
We claim the ornamental design for a heater, as shown and
described.

DESCRIPTION
FIG. 1 is a perspective view of an ornamental design for a
heater;
FIG. 2 is front side view of the heater shown in FIG. 1.
FIG. 3 is a perspective view of a heater according to an
embodiment of the invention.
FIG. 4 is an enlarged view of a portion of FIG. 3.
FIG. 5 is a front side view of the heater shown in FIG. 3.
FIG. 6 is a perspective view of a heater according to an
embodiment of the invention.
FIG. 7 is a front side view of the heater shown in FIG. 6.
FIG. 8 is a perspective view of a heater accordingly to an
embodiment of the invention.
FIG. 9 is a front side view of the heater shown in FIG. 8.
FIG. 10 is a rear side view of the heater shown in FIG. 8.
FIG. 11 is a top side view of the heater shown in FIG. 8.
FIG. 12 is a bottom side view of the heater shown in FIG.
8.
FIG. 13 is a right side view of the heater shown in FIG. 8;
and,
FIG. 14 is a left side view of the heater shown in FIG. 8.
The broken lines depict portions of the heater and form no
part of the claim. The surface in FIGS. 1 and 2 that is
stippled illustrates a surface with a first color and the
unstippled surfaces illustrate surfaces with a color different
than the first color.

1 Claim, 13 Drawing Sheets



(56)

References Cited

U.S. PATENT DOCUMENTS

D493,215 S * 7/2004 Asaoka D23/351
D497,983 S * 11/2004 Nanjo D23/351
D540,452 S * 4/2007 Narayanamurthy D23/351
D584,388 S * 1/2009 Chooji D23/351
D700,304 S * 2/2014 Ikegaya D23/351
2011/0073017 A1* 3/2011 Wilson, Jr. F24F 1/60
108/42
2012/0264076 A1* 10/2012 Persson F24H 9/06
432/227
2014/0132127 A1* 5/2014 Kawaguchi F24F 13/20
312/100

OTHER PUBLICATIONS

QC Supply blog, Heat your garage with Modine, Jan. 2011, QC Supply, blog post, Retrieved Apr. 11, 2017 from <URL:https://www.qcsupply.com/blog/modine-hot-dawg-heater/>.*

Modine Manufacturing Company, "Take the Chill Out of Your Garage or Workspace with a Hot Dawg," brochure (2013) 4 pages.

* cited by examiner

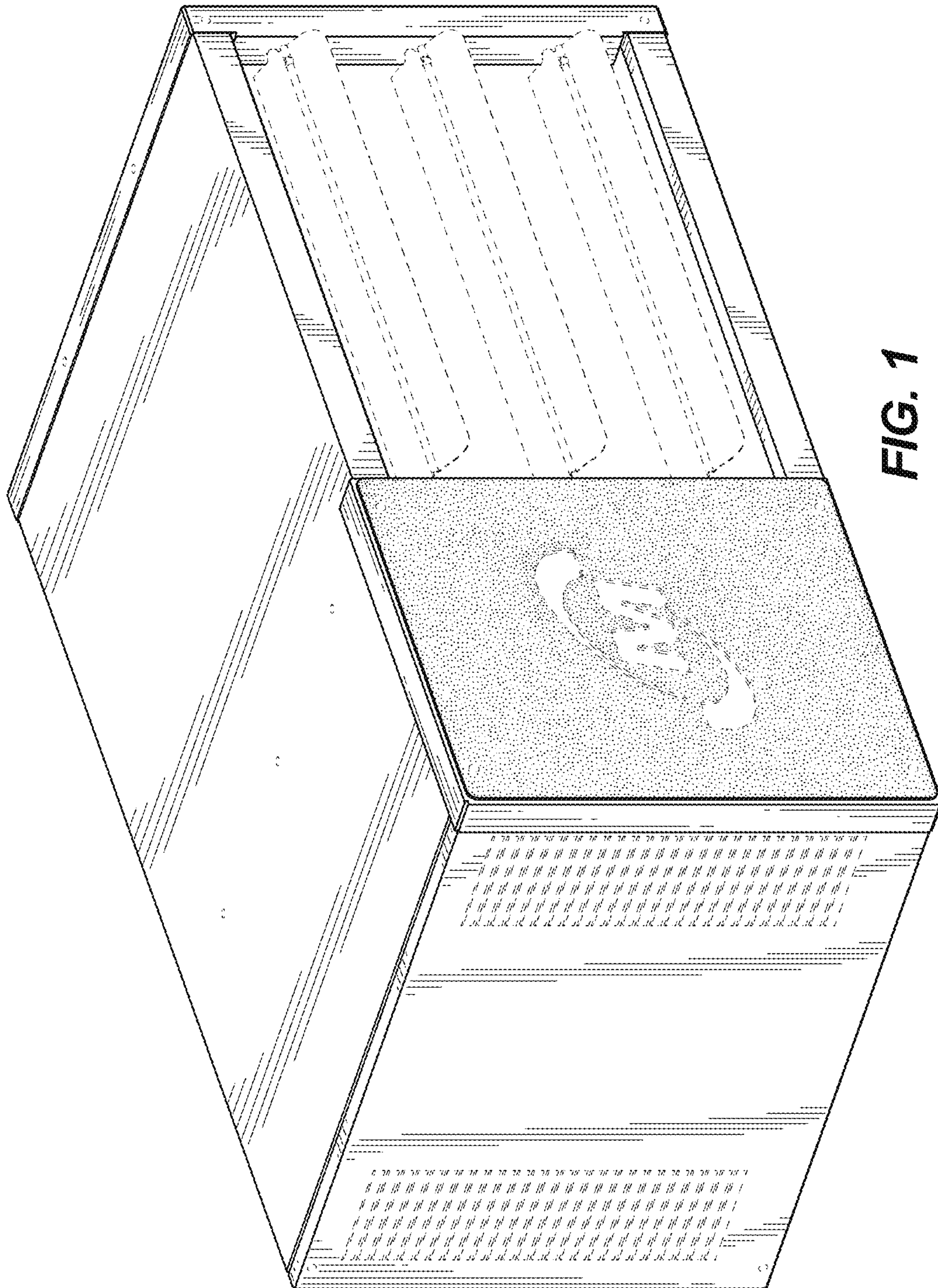


FIG. 1

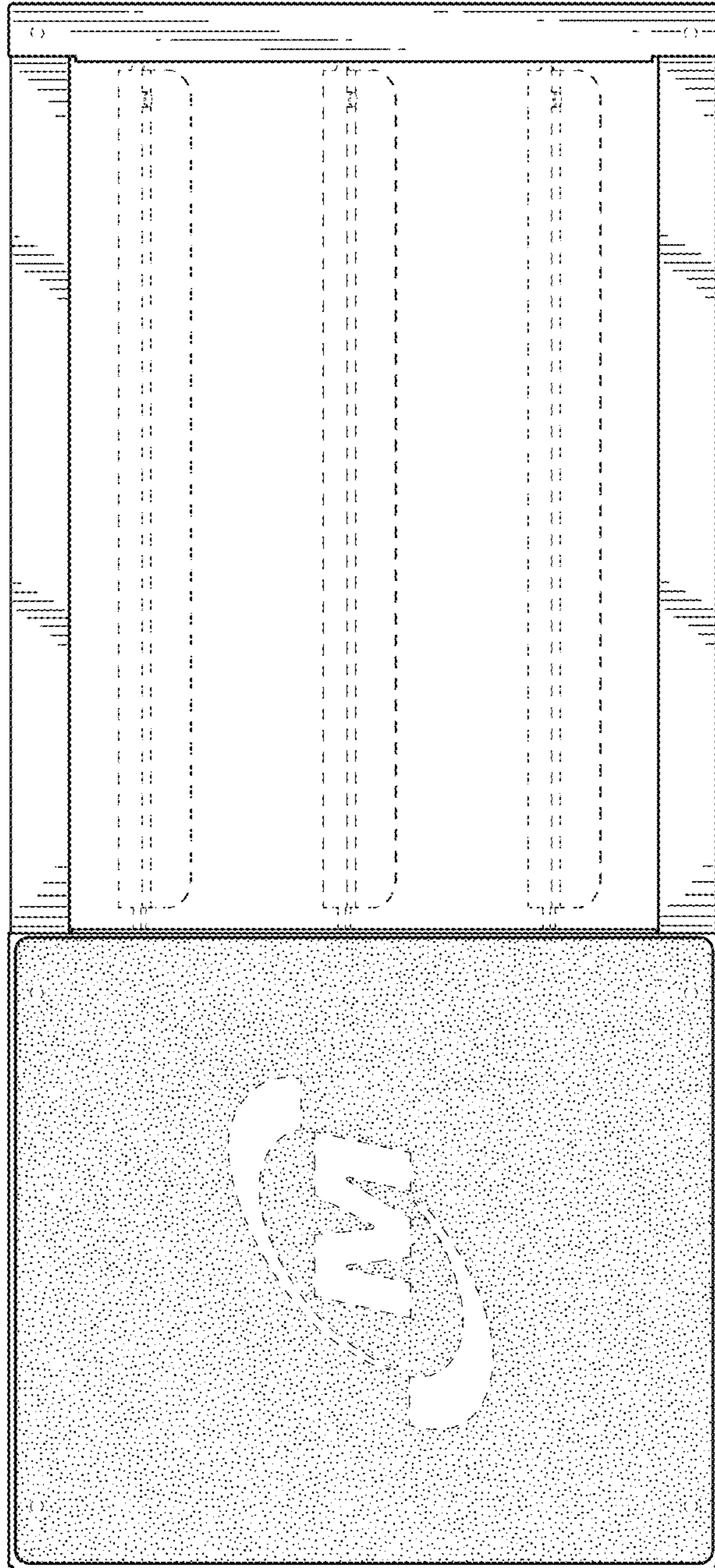
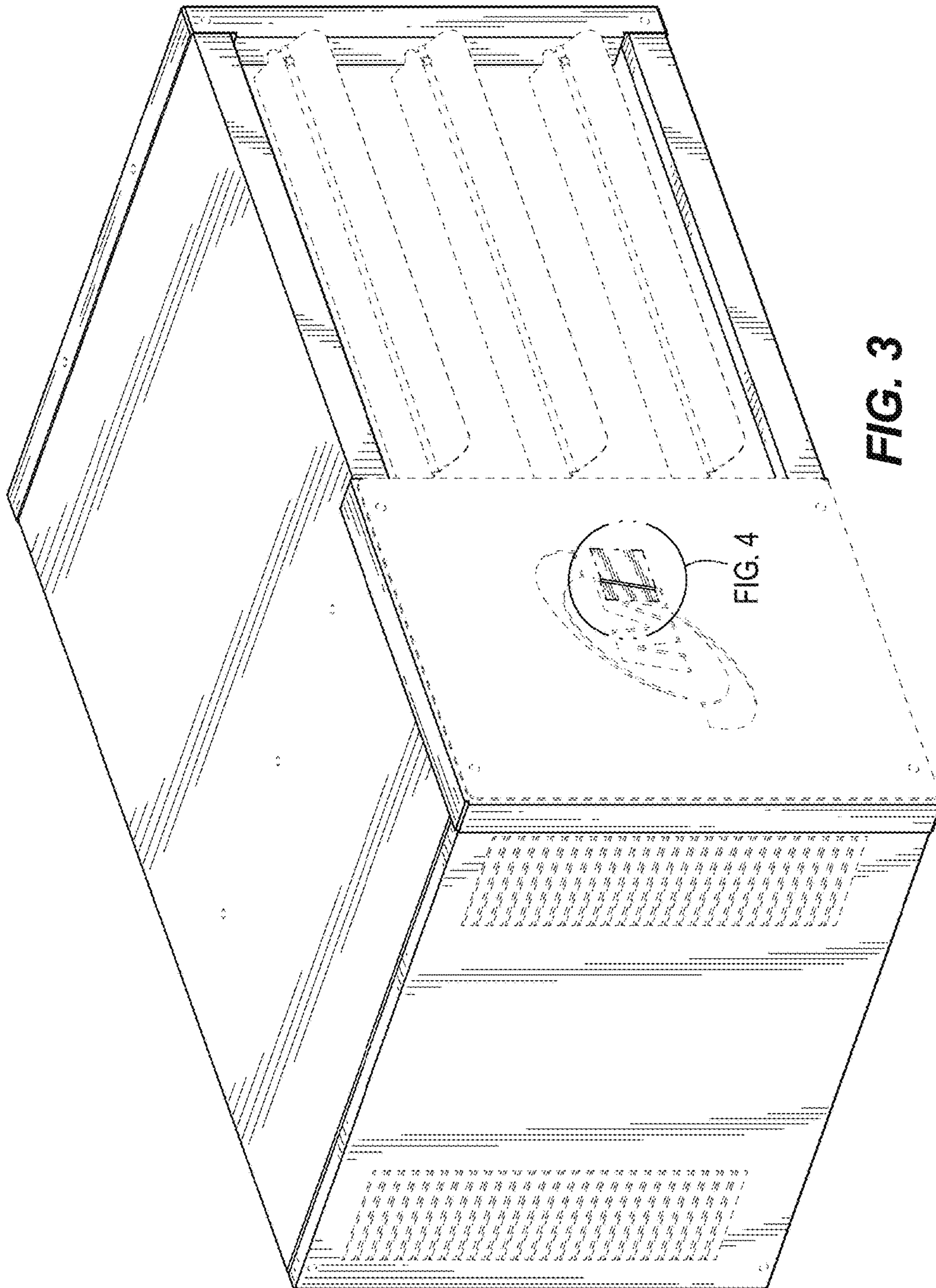


FIG. 2



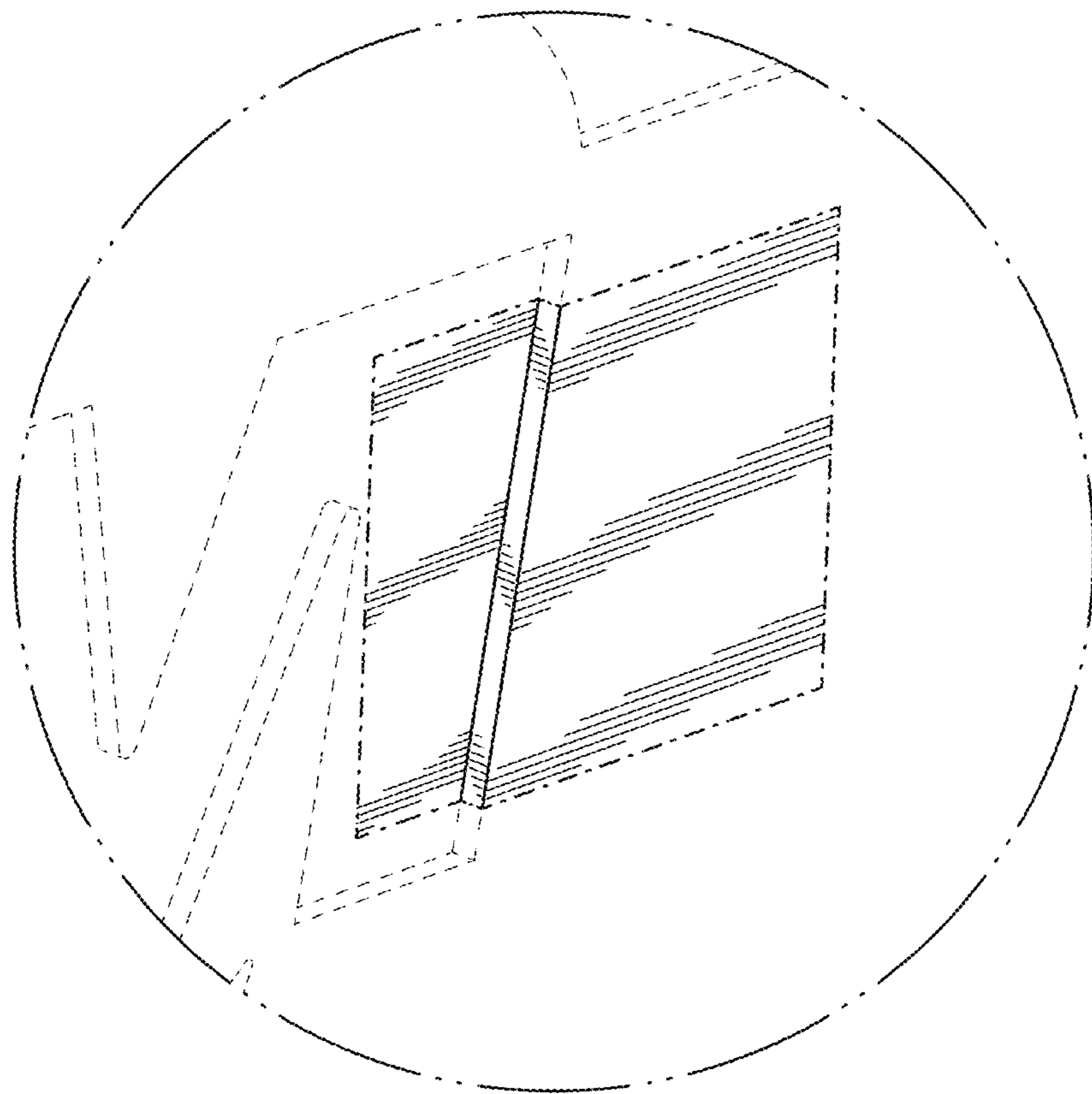


FIG. 4

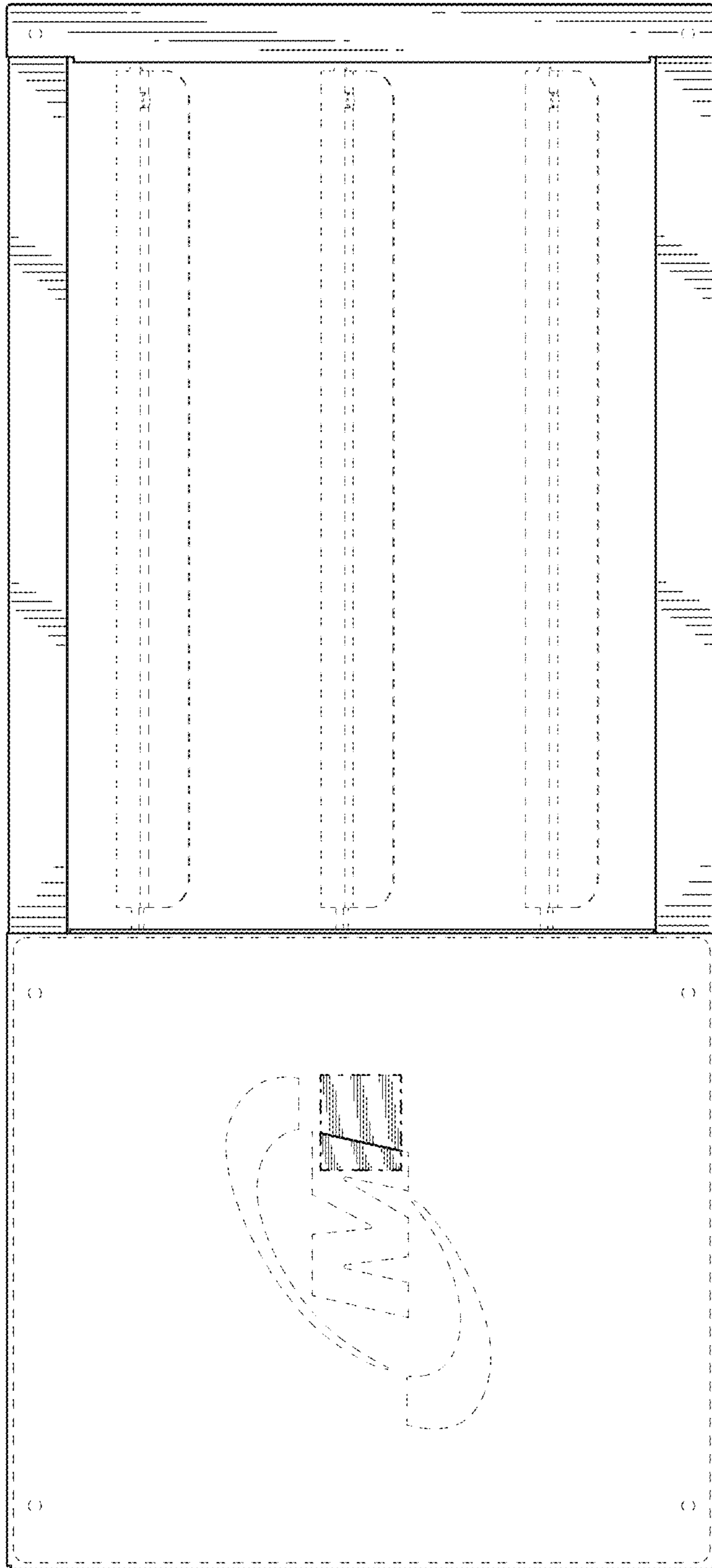
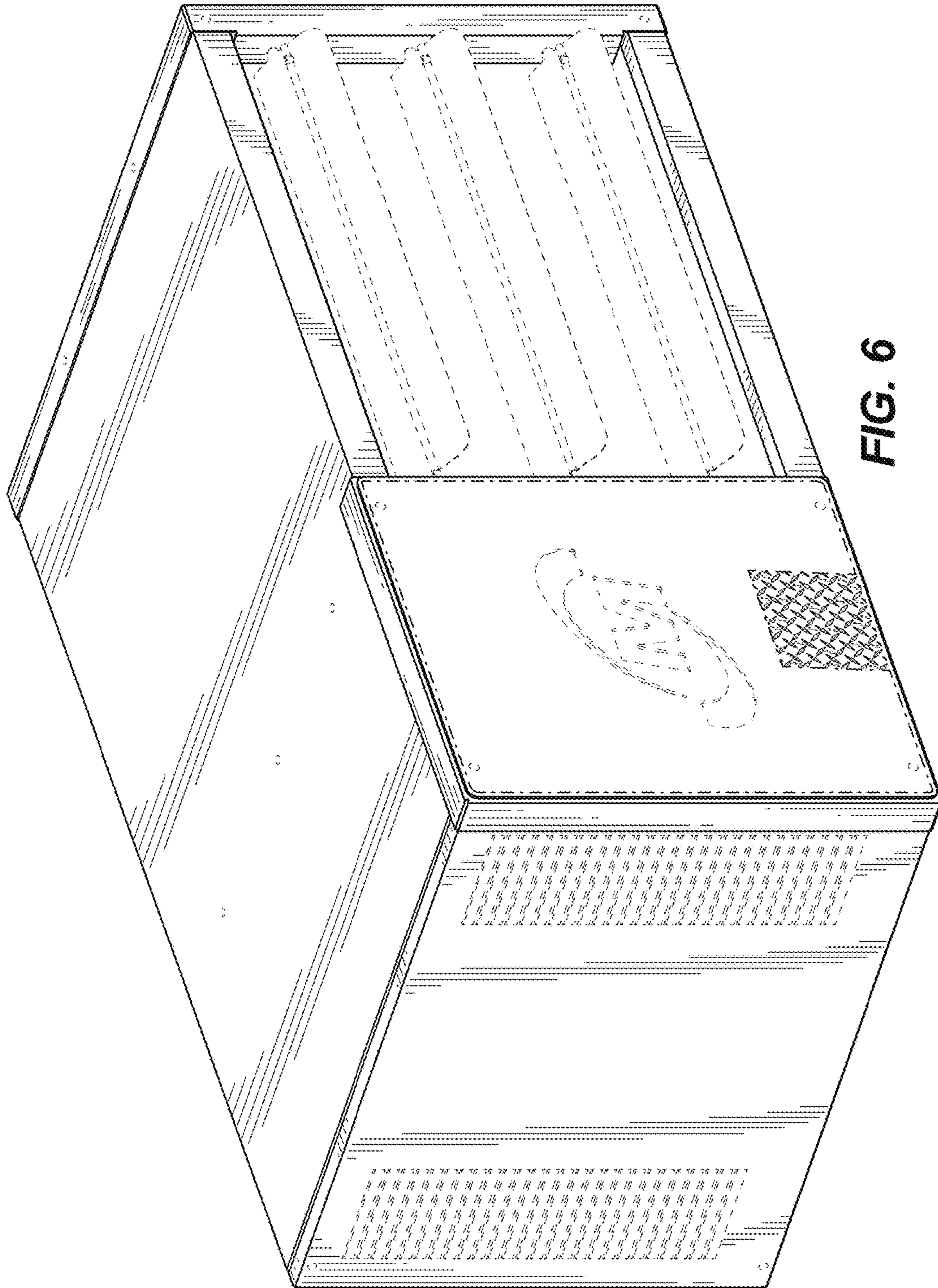


FIG. 5



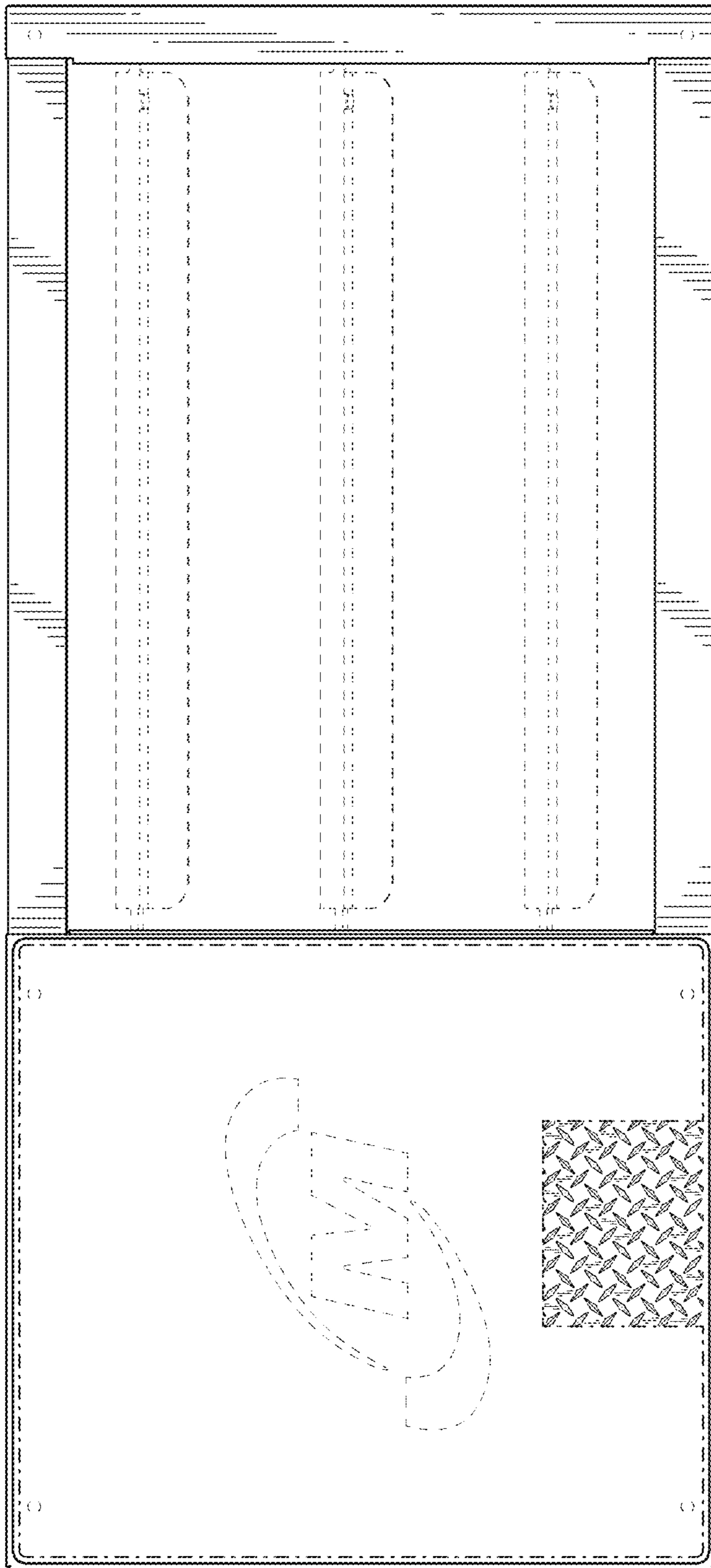


FIG. 7

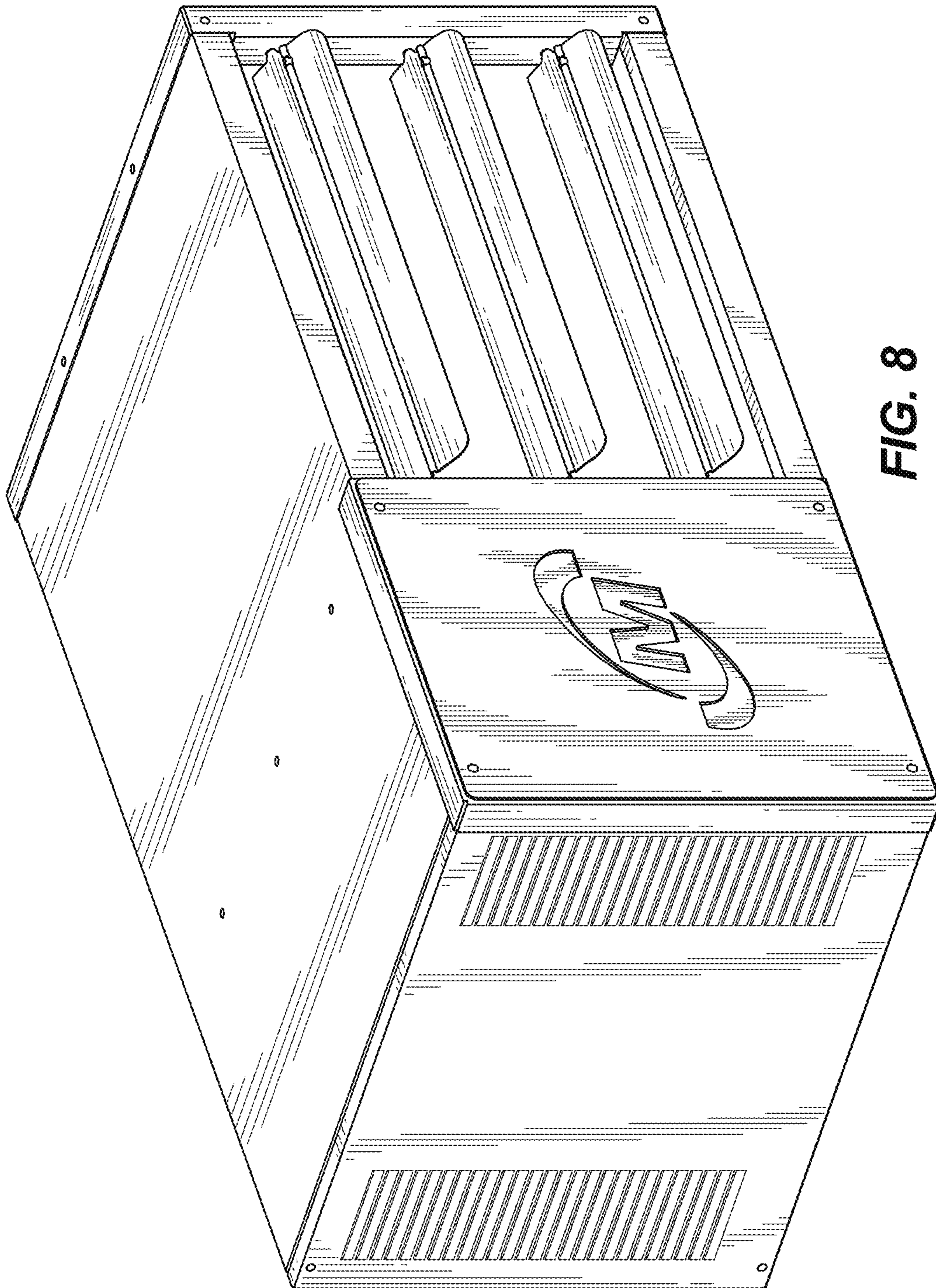


FIG. 8

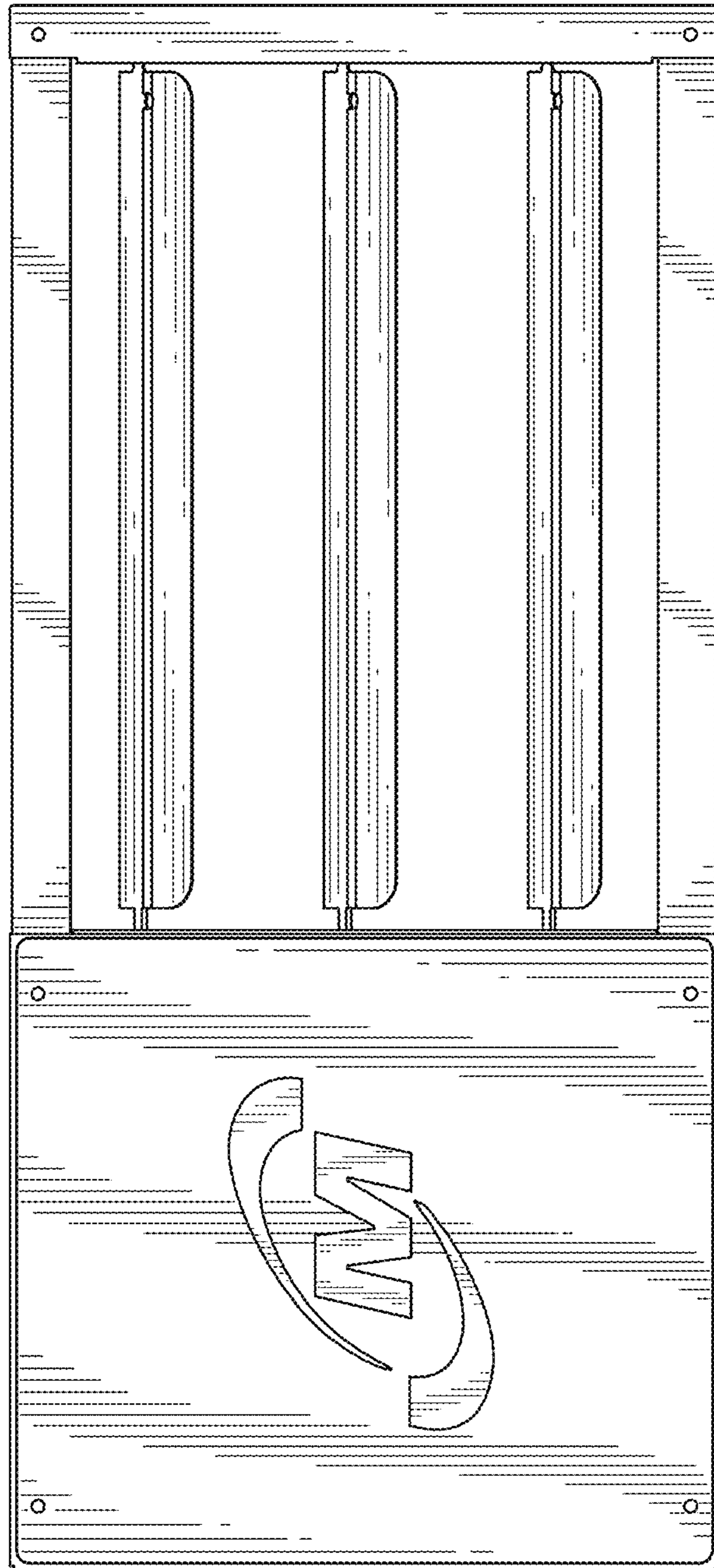


FIG. 9

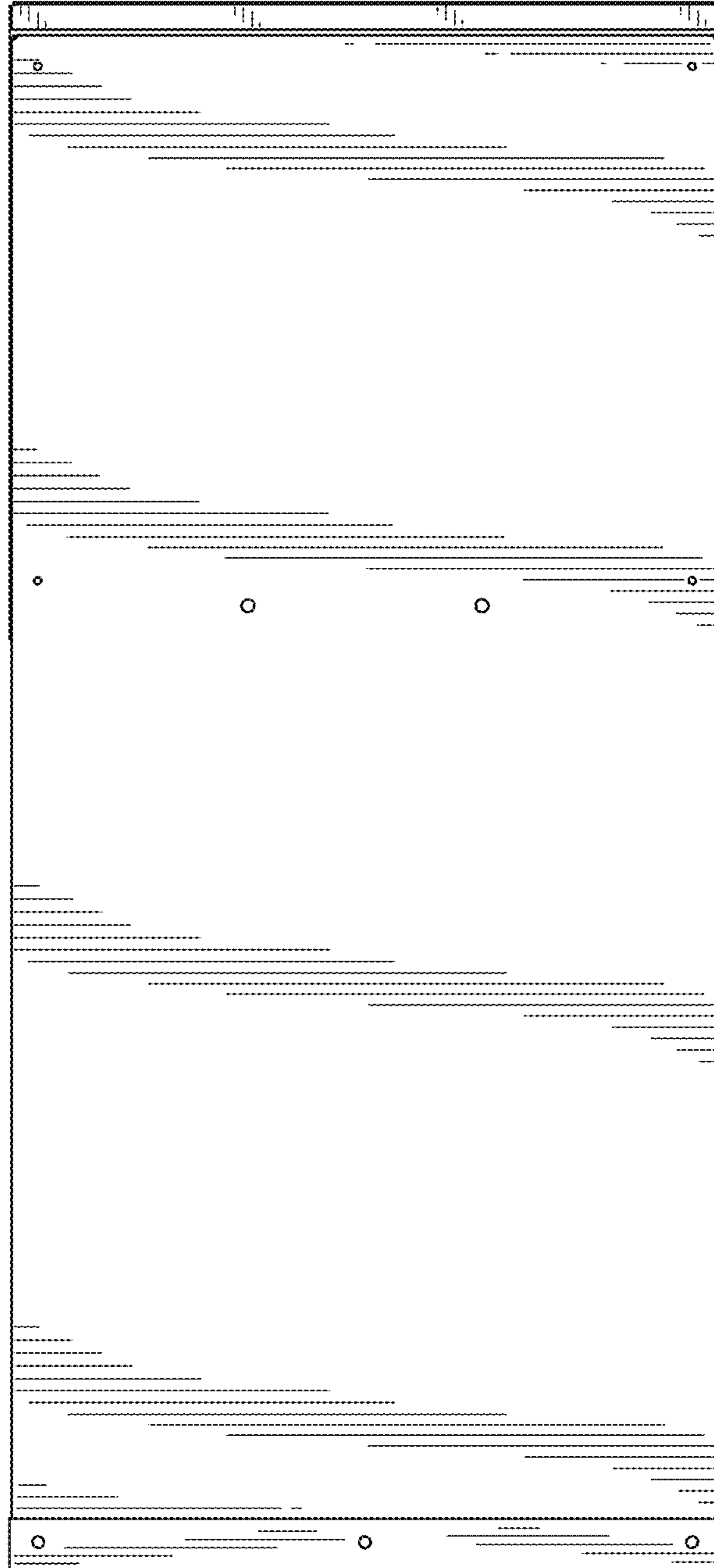


FIG. 10

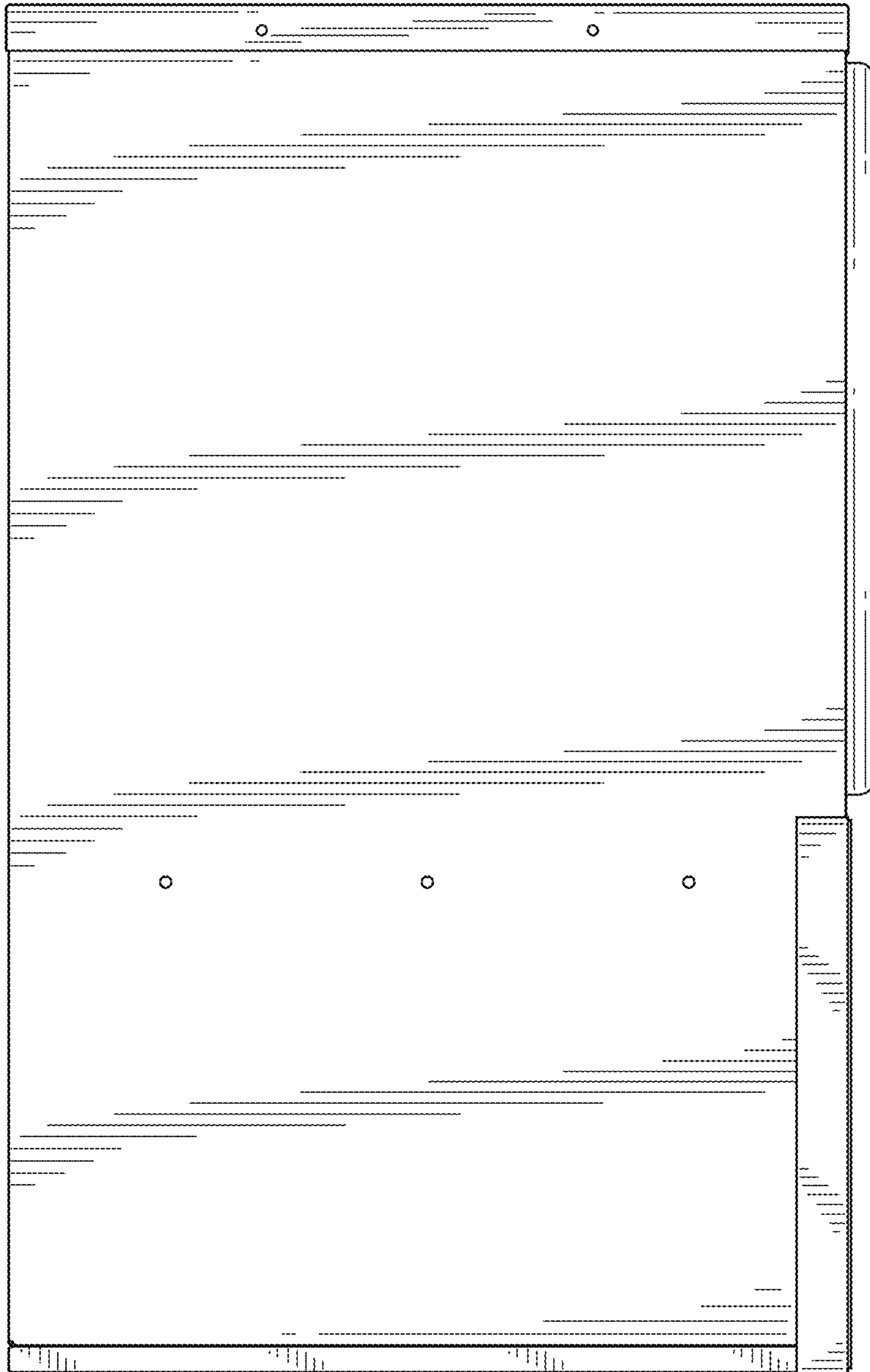


FIG. 11

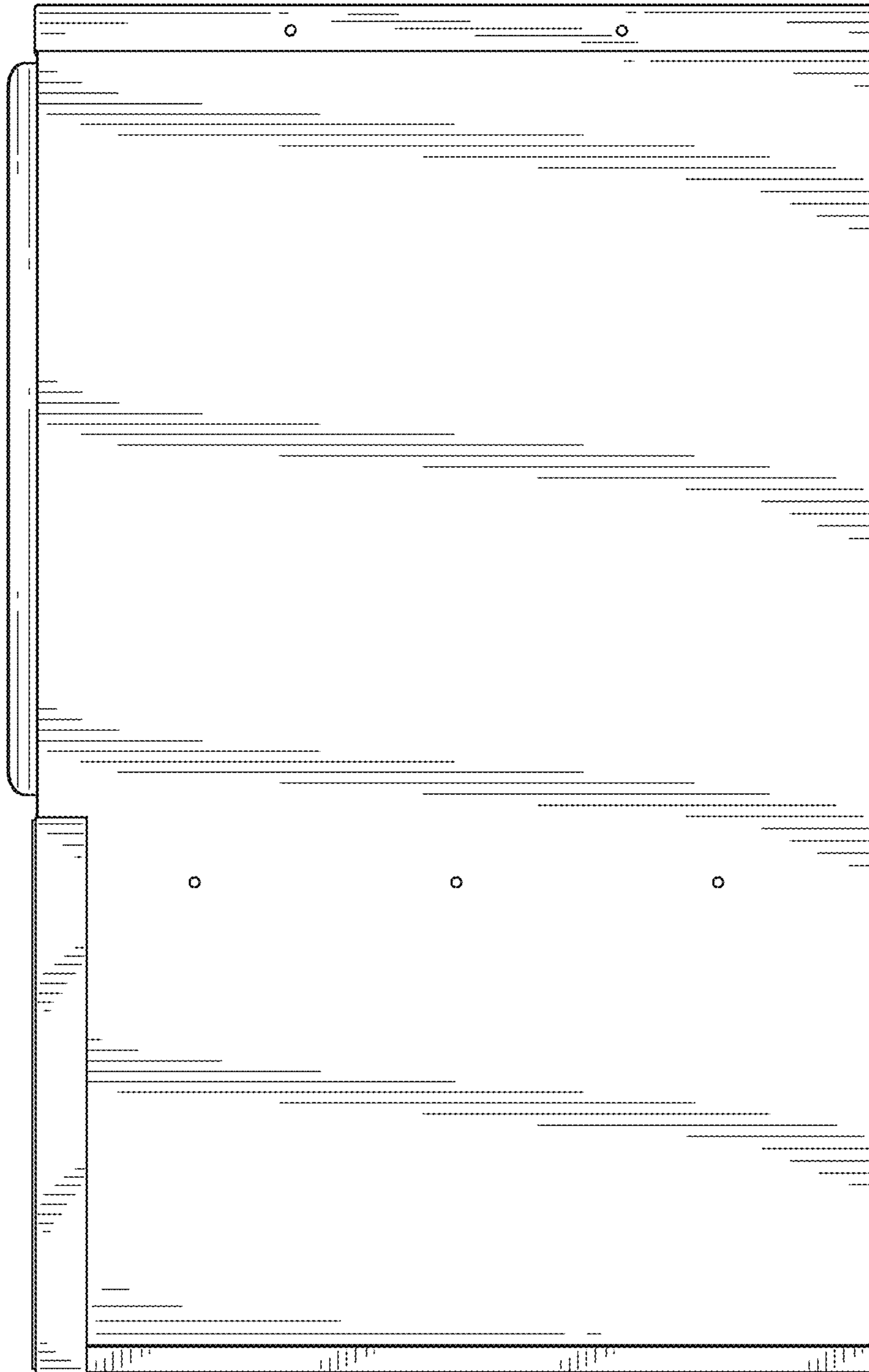


FIG. 12

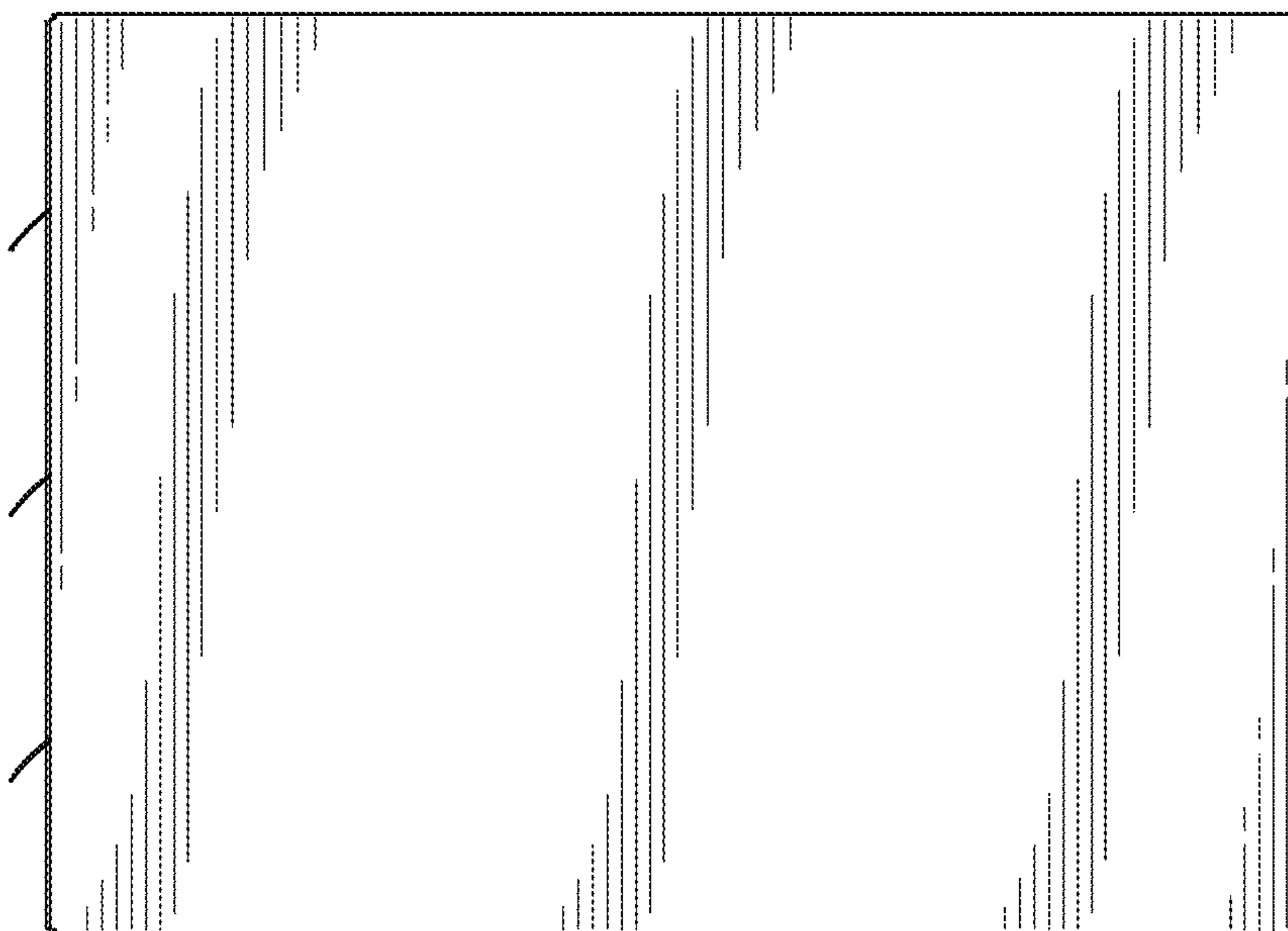


FIG. 13

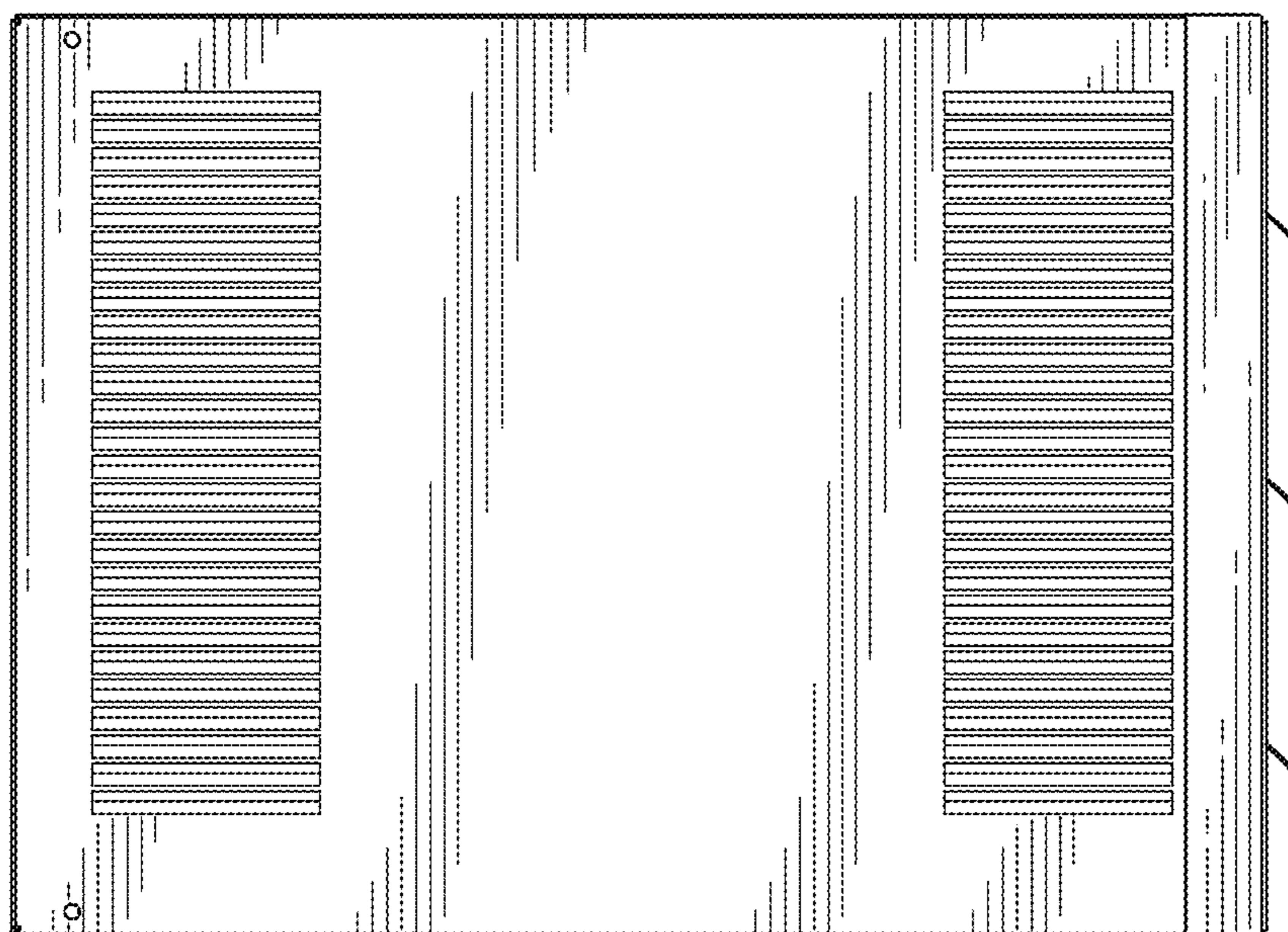


FIG. 14