



US00D794760S

(12) **United States Design Patent** (10) **Patent No.:** **US D794,760 S**  
**Morlet et al.** (45) **Date of Patent:** **\*\* Aug. 15, 2017**

- (54) **DUAL USE PLUMBING HANDLE WITH CURVED WINGS**
- (71) Applicant: **Coflex S.A. de C.V.**, Monterrey (MX)
- (72) Inventors: **Andres Rodrigo Garcia Morlet**, Nuevo Leon (MX); **Humberto Flores-Villarreal**, Col. Chapultepec (MX); **Eduardo Coronado**, Nuevo Leon (MX)
- (73) Assignee: **Coflex S.A. de C.V.**, Monterrey (MX)
- (\*\*) Term: **15 Years**
- (21) Appl. No.: **29/548,099**
- (22) Filed: **Dec. 10, 2015**
- (51) **LOC (10) Cl.** ..... **23-01**
- (52) **U.S. Cl.**  
USPC ..... **D23/265**
- (58) **Field of Classification Search**  
USPC ..... D23/259-262, 264-266, 393; 285/356;  
D8/382, 396-399; 411/435-437  
(Continued)

(56) **References Cited**

U.S. PATENT DOCUMENTS

- D223,156 S \* 3/1972 Campbell ..... D23/260
  - D439,636 S \* 3/2001 Hamilton ..... D23/213
- (Continued)

*Primary Examiner* — Eric Goodman  
*Assistant Examiner* — Amy Wierenga  
 (74) *Attorney, Agent, or Firm* — Baker & McKenzie LLP

(57) **CLAIM**

The ornamental design for a dual use plumbing handle with curved wings, as shown and described.

**DESCRIPTION**

FIG. 1 is a top perspective view of a first embodiment of a dual use plumbing handle with curved wings in accordance with our design;

FIG. 2 is a top view of the dual use plumbing handle with curved wings shown in FIG. 1;  
 FIG. 3 is a bottom perspective view of the dual use plumbing handle with curved wings shown in FIG. 1;  
 FIG. 4 is a bottom view of the dual use plumbing handle with curved wings shown in FIG. 1;  
 FIG. 5 is a front view of the dual use plumbing handle with curved wings shown in FIG. 1;  
 FIG. 6 is a rear view of the dual use plumbing handle with curved wings shown in FIG. 1;  
 FIG. 7 is a side view of the dual use plumbing handle with curved wings shown in FIG. 1;  
 FIG. 8 is an opposite side view of the dual use plumbing handle with curved wings shown in FIG. 1;  
 FIG. 9 is a top perspective view of a second embodiment of a dual use plumbing handle with curved wings in accordance with our design;  
 FIG. 10 is a top view of the dual use plumbing handle with curved wings shown in FIG. 9;  
 FIG. 11 is a bottom perspective view of the dual use plumbing handle with curved wings shown in FIG. 9;  
 FIG. 12 is a bottom view of the dual use plumbing handle with curved wings shown in FIG. 9;  
 FIG. 13 is a front view of the dual use plumbing handle with curved wings shown in FIG. 9;  
 FIG. 14 is a rear view of the dual use plumbing handle with curved wings shown in FIG. 9;  
 FIG. 15 is a side view of the dual use plumbing handle with curved wings shown in FIG. 9;  
 FIG. 16 is an opposite side view of the dual use plumbing handle with curved wings shown in FIG. 9;  
 FIG. 17 is a top perspective view of a third embodiment of a dual use plumbing handle with curved wings in accordance with our design;  
 FIG. 18 is a top view of the dual use plumbing handle with curved wings shown in FIG. 17;  
 FIG. 19 is a bottom perspective view of the dual use plumbing handle with curved wings shown in FIG. 17;

(Continued)

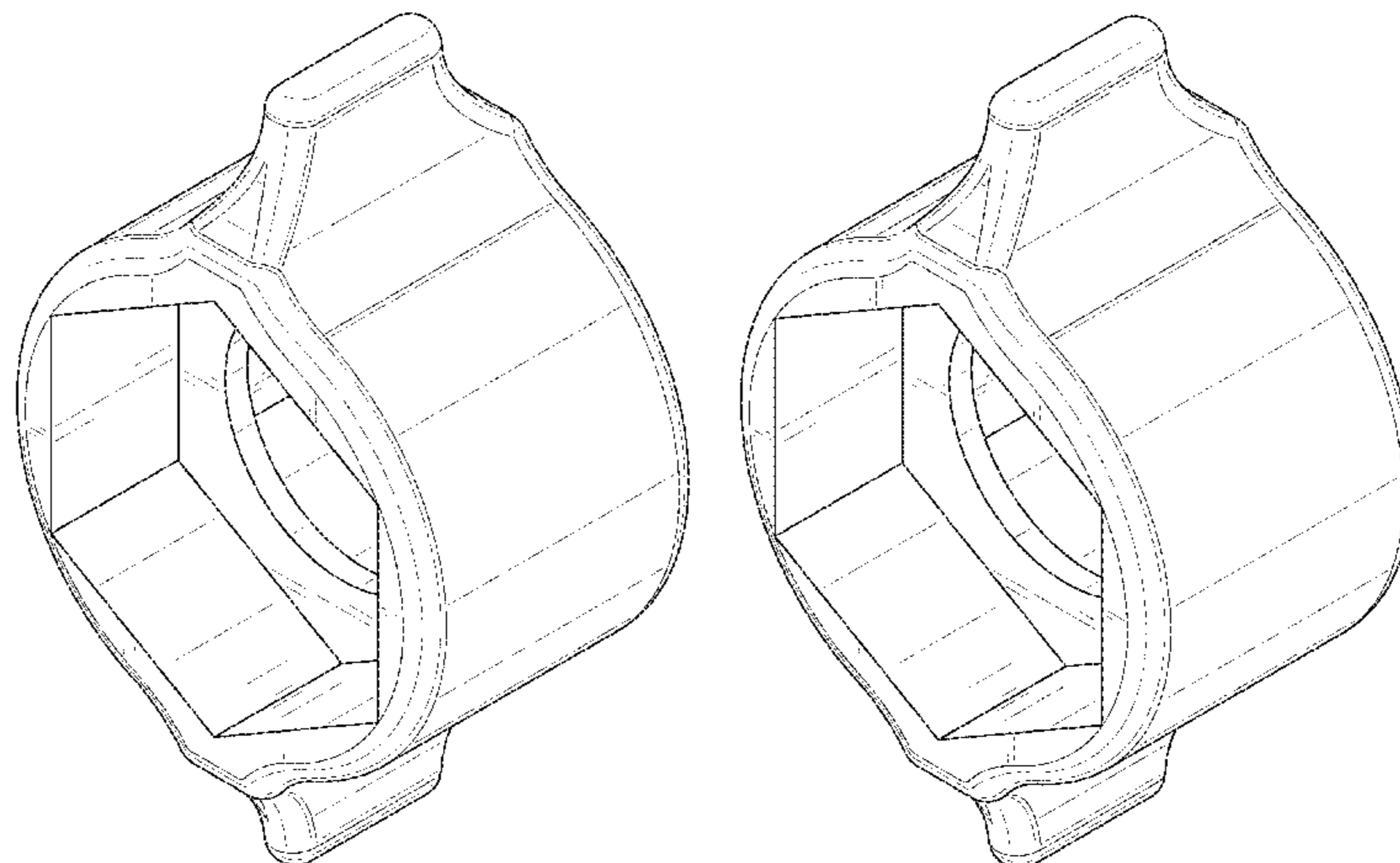


FIG. 20 is a bottom view of the dual use plumbing handle with curved wings shown in FIG. 17;  
 FIG. 21 is a front view of the dual use plumbing handle with curved wings shown in FIG. 17;  
 FIG. 22 is a rear view of the dual use plumbing handle with curved wings shown in FIG. 17;  
 FIG. 23 is a side view of the dual use plumbing handle with curved wings shown in FIG. 17;  
 FIG. 24 is an opposite side view of the dual use plumbing handle with curved wings shown in FIG. 17;  
 FIG. 25 is a top perspective view of a fourth embodiment of a dual use plumbing handle with curved wings in accordance with our design;  
 FIG. 26 is a top view of the dual use plumbing handle with curved wings shown in FIG. 25;  
 FIG. 27 is a bottom perspective view of the dual use plumbing handle with curved wings shown in FIG. 25;  
 FIG. 28 is a bottom view of the dual use plumbing handle with curved wings shown in FIG. 25;  
 FIG. 29 is a front view of the dual use plumbing handle with curved wings shown in FIG. 25;  
 FIG. 30 is a rear view of the dual use plumbing handle with curved wings shown in FIG. 25;  
 FIG. 31 is a side view of the dual use plumbing handle with curved wings shown in FIG. 25; and,

FIG. 32 is an opposite side view of the dual use plumbing handle with curved wings shown in FIG. 25.

**1 Claim, 32 Drawing Sheets**

(58) **Field of Classification Search**

CPC ..... F16L 21/02; F16L 21/04; F16L 27/08;  
 E03C 1/021; E03D 11/14; F16K 27/08;  
 F16J 15/04

See application file for complete search history.

(56) **References Cited**

U.S. PATENT DOCUMENTS

D479,585	S *	9/2003	Mulligan	.....	D23/259
D484,786	S *	1/2004	O'Connor	.....	D8/398
D510,260	S *	10/2005	Jennings	.....	D8/398
D558,306	S *	12/2007	McCluskey	.....	D23/264
D585,530	S *	1/2009	Ito	.....	D23/259
D600,546	S *	9/2009	Scilingo	.....	D8/397
D672,639	S *	12/2012	Pawluk	.....	D8/398
D700,683	S *	3/2014	Atwell	.....	D23/235
D724,936	S *	3/2015	Coronado	.....	D8/397
2010/0088811	A1 *	4/2010	Coronado	.....	E03D 11/14 4/252.4
2016/0109033	A1 *	4/2016	Cude	.....	F16J 15/04 137/15.18

\* cited by examiner

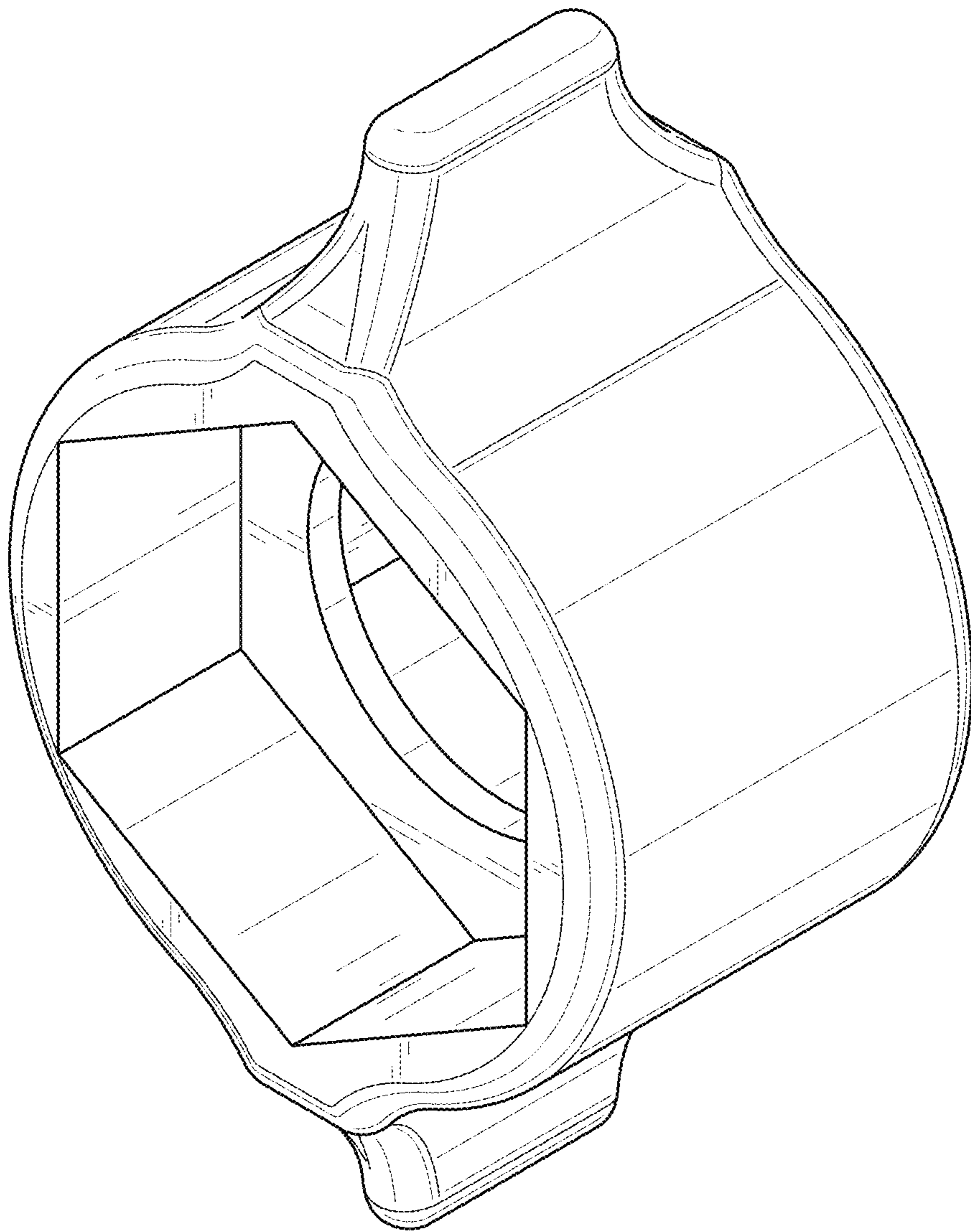


FIG. 1

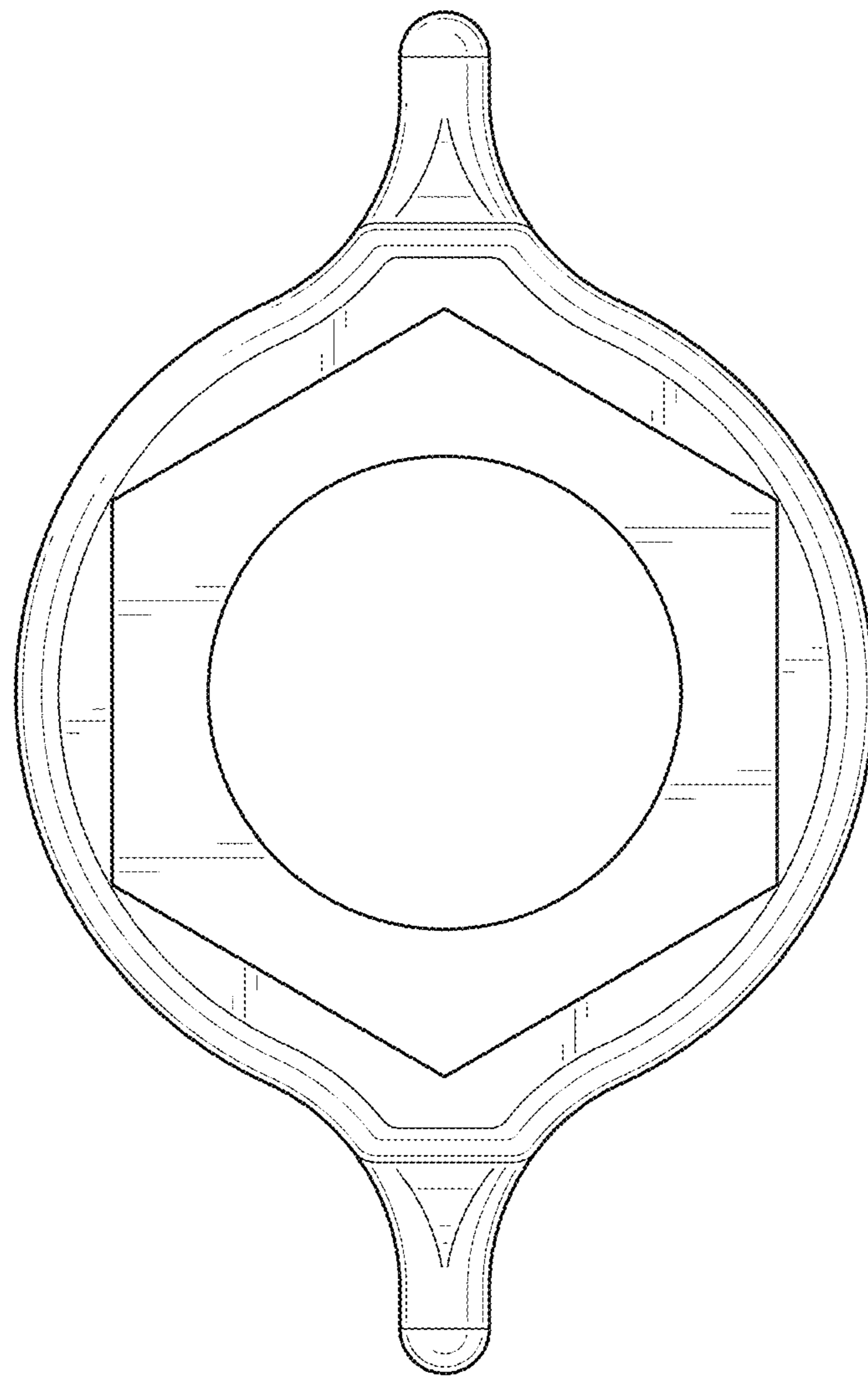


FIG. 2

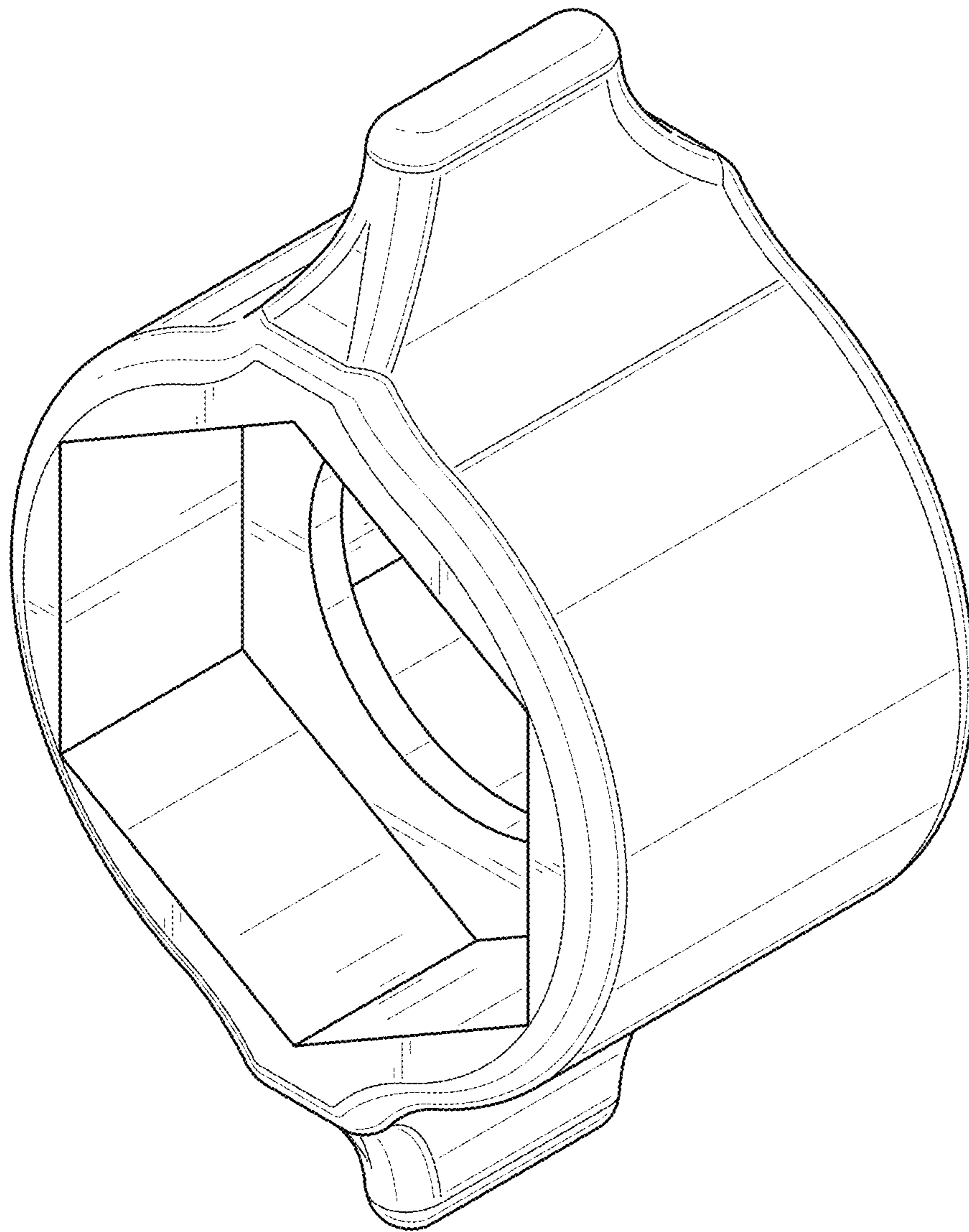


FIG. 3

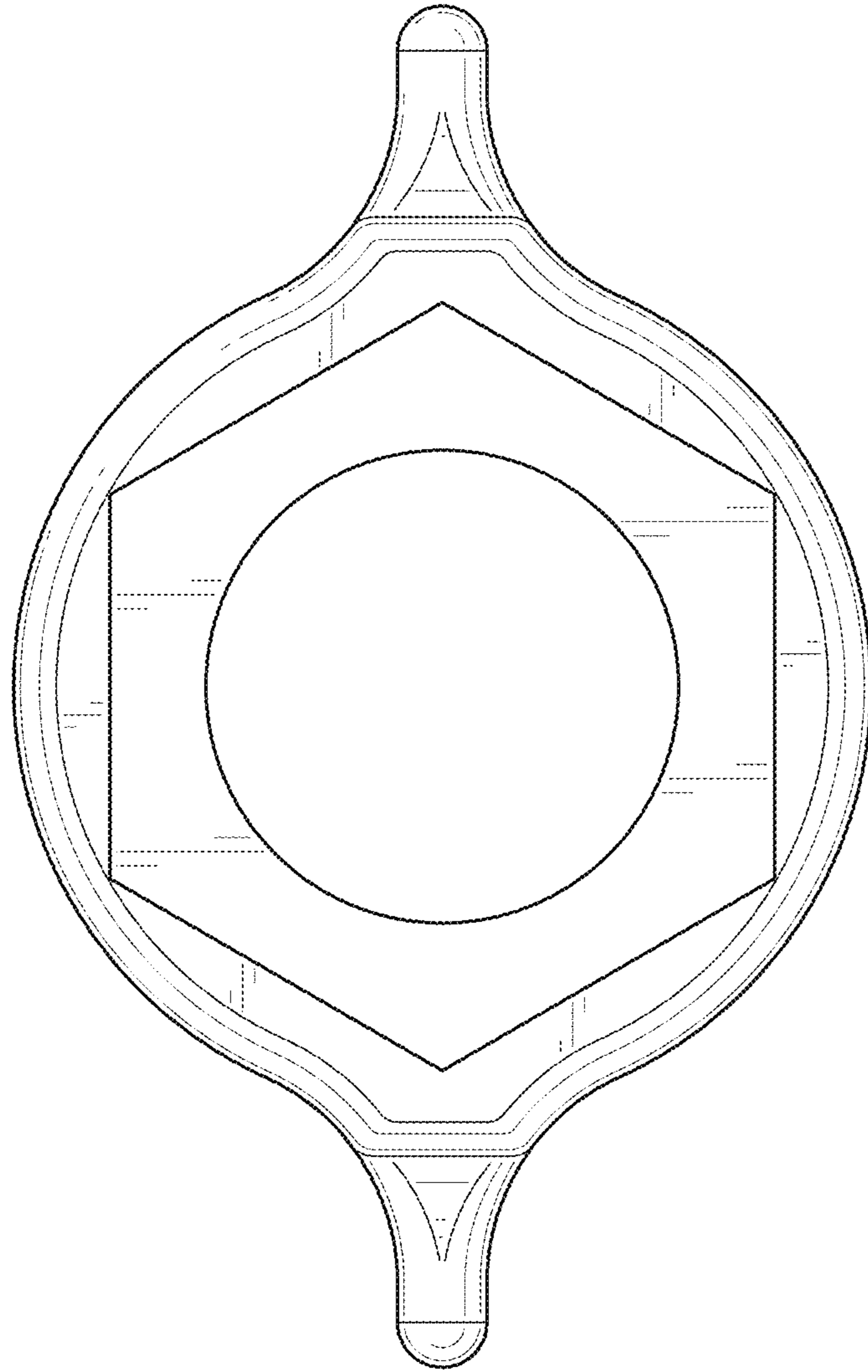


FIG. 4

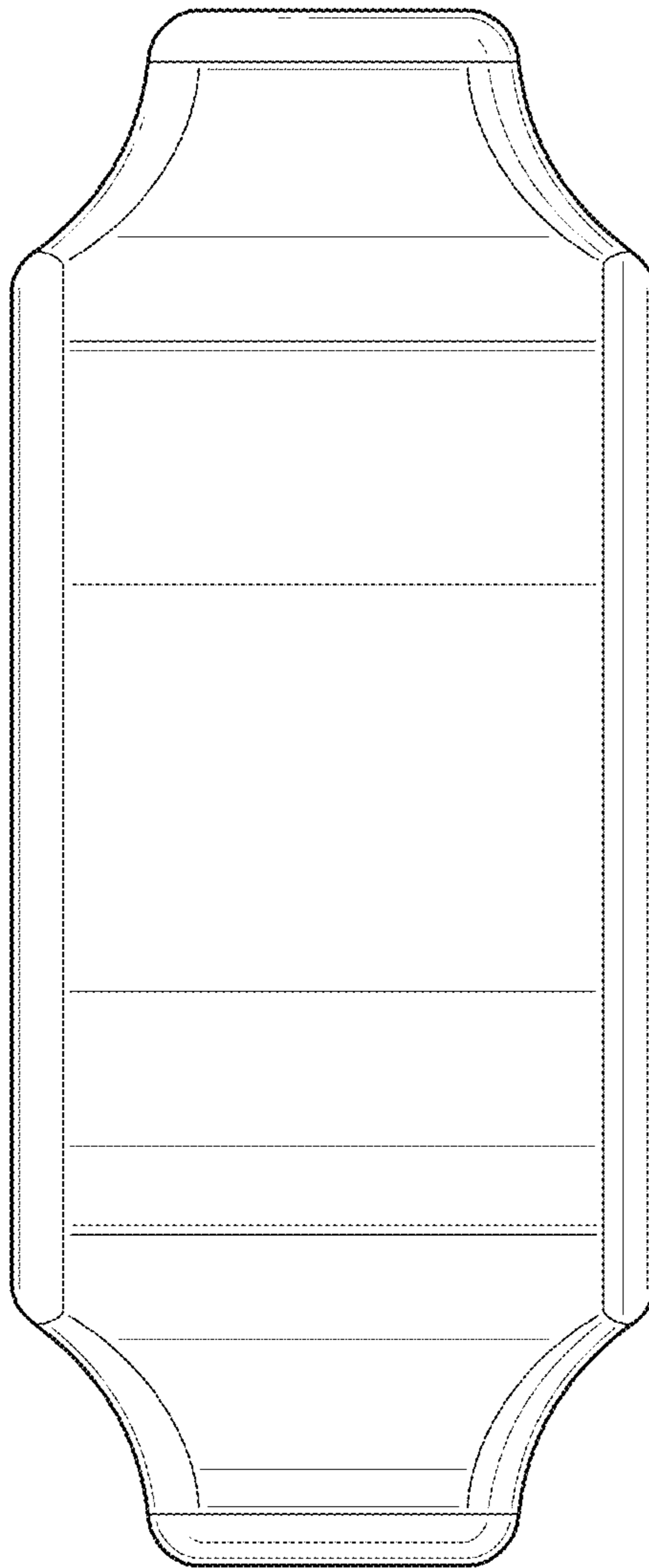


FIG. 5

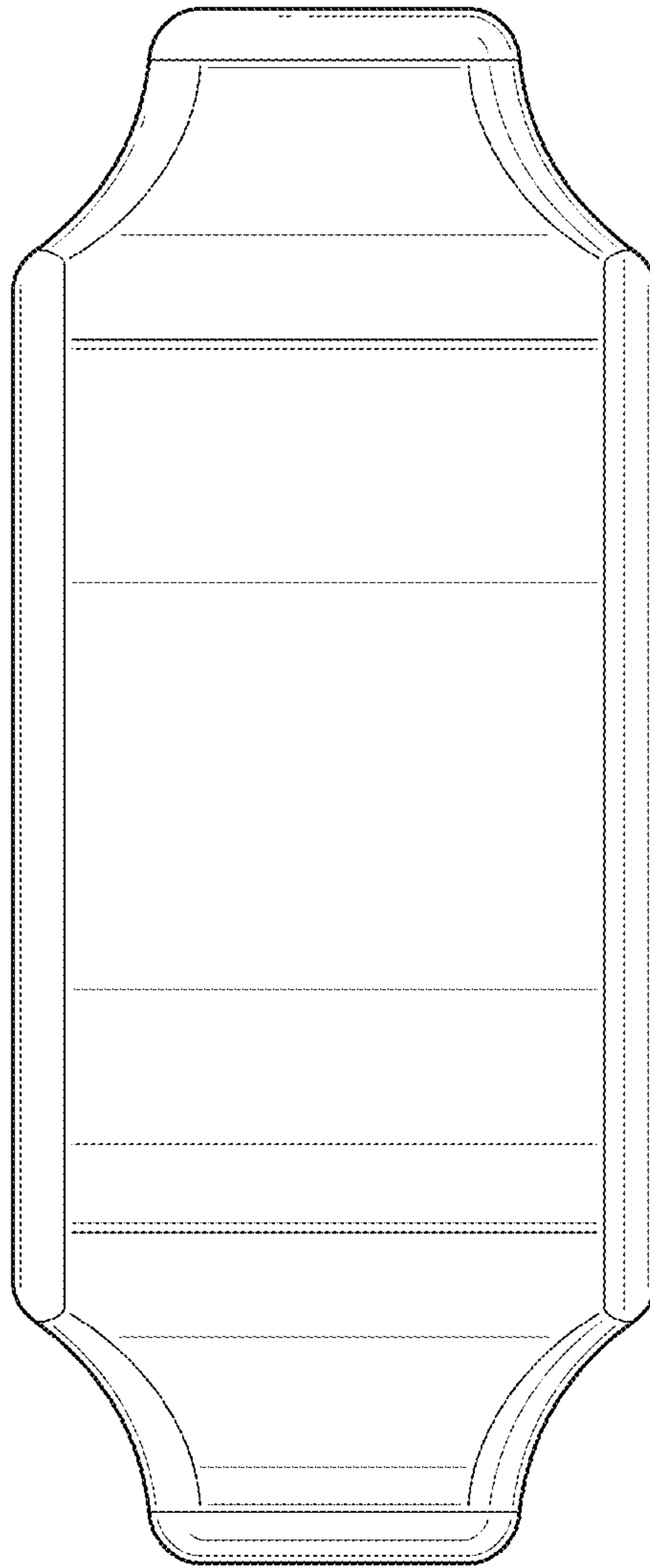


FIG. 6



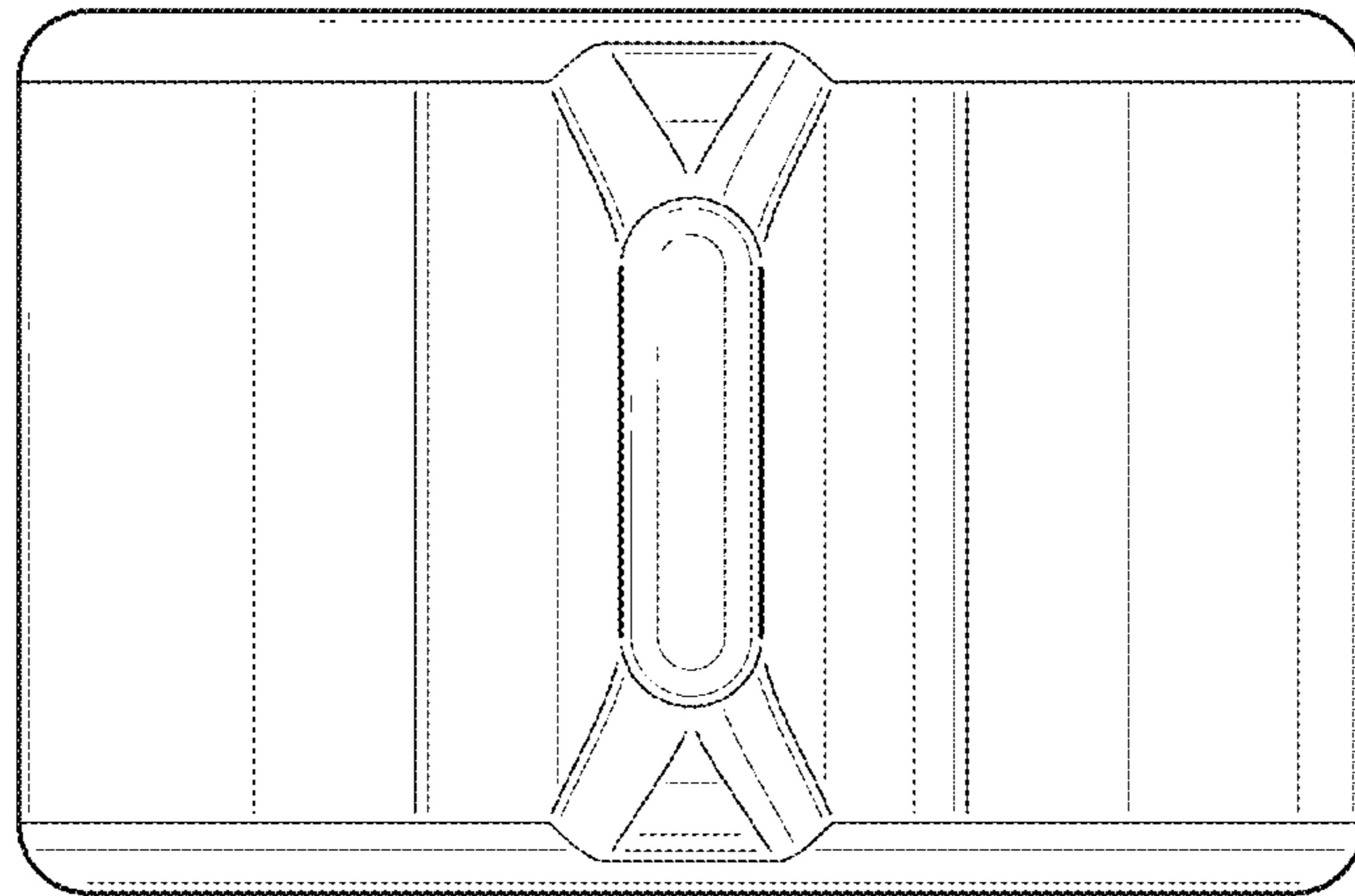


FIG. 7

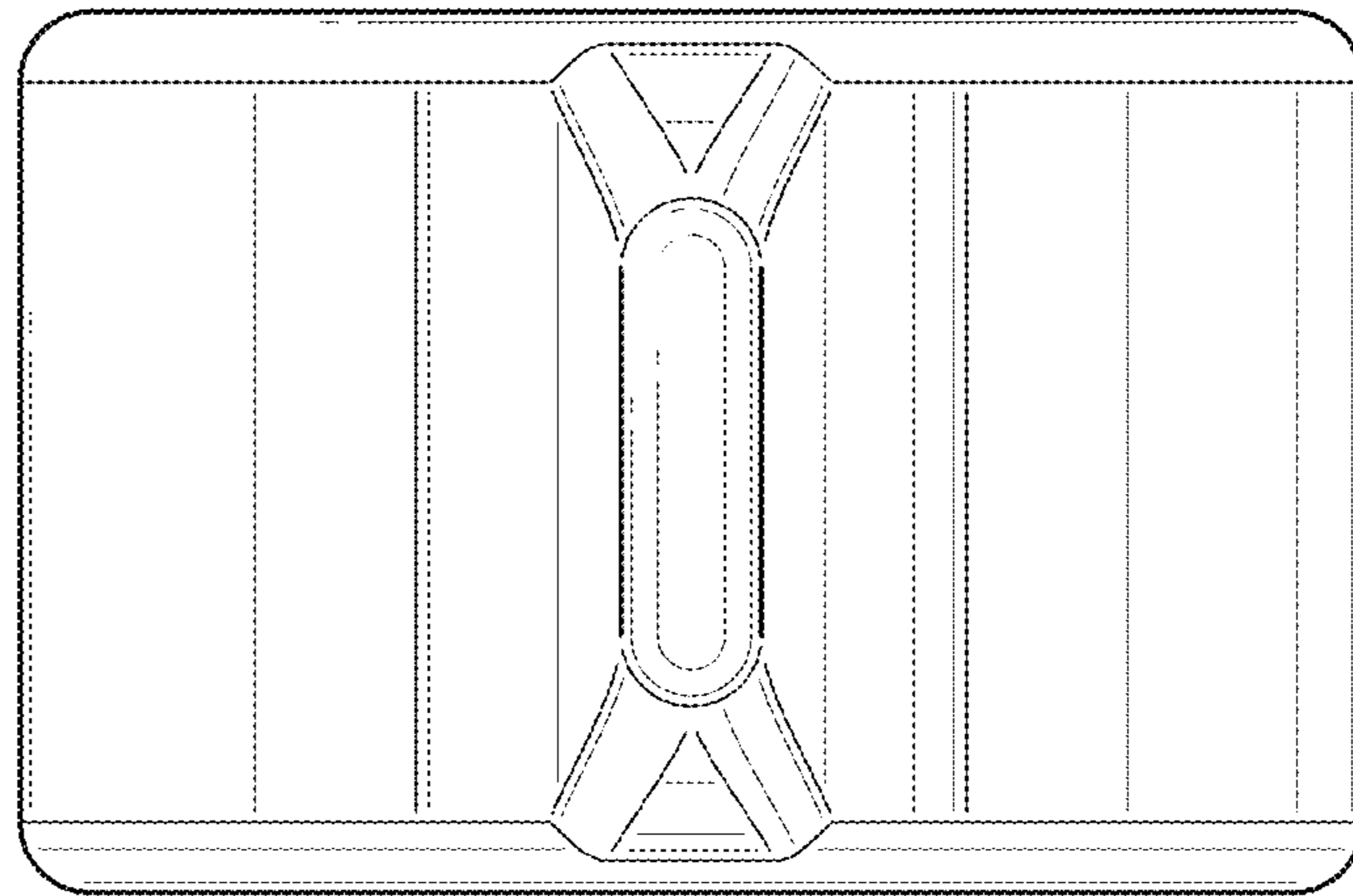


FIG. 8

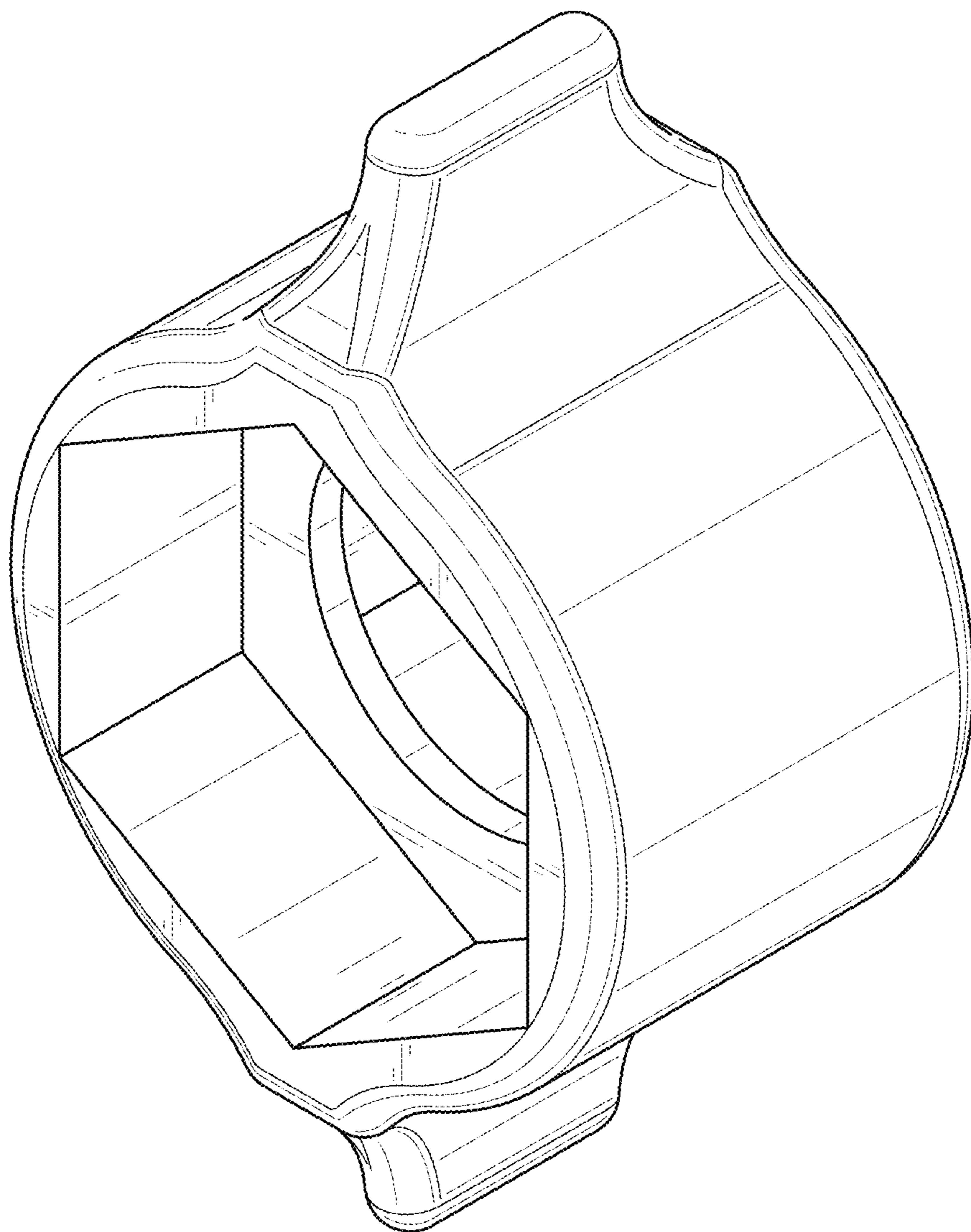


FIG. 9

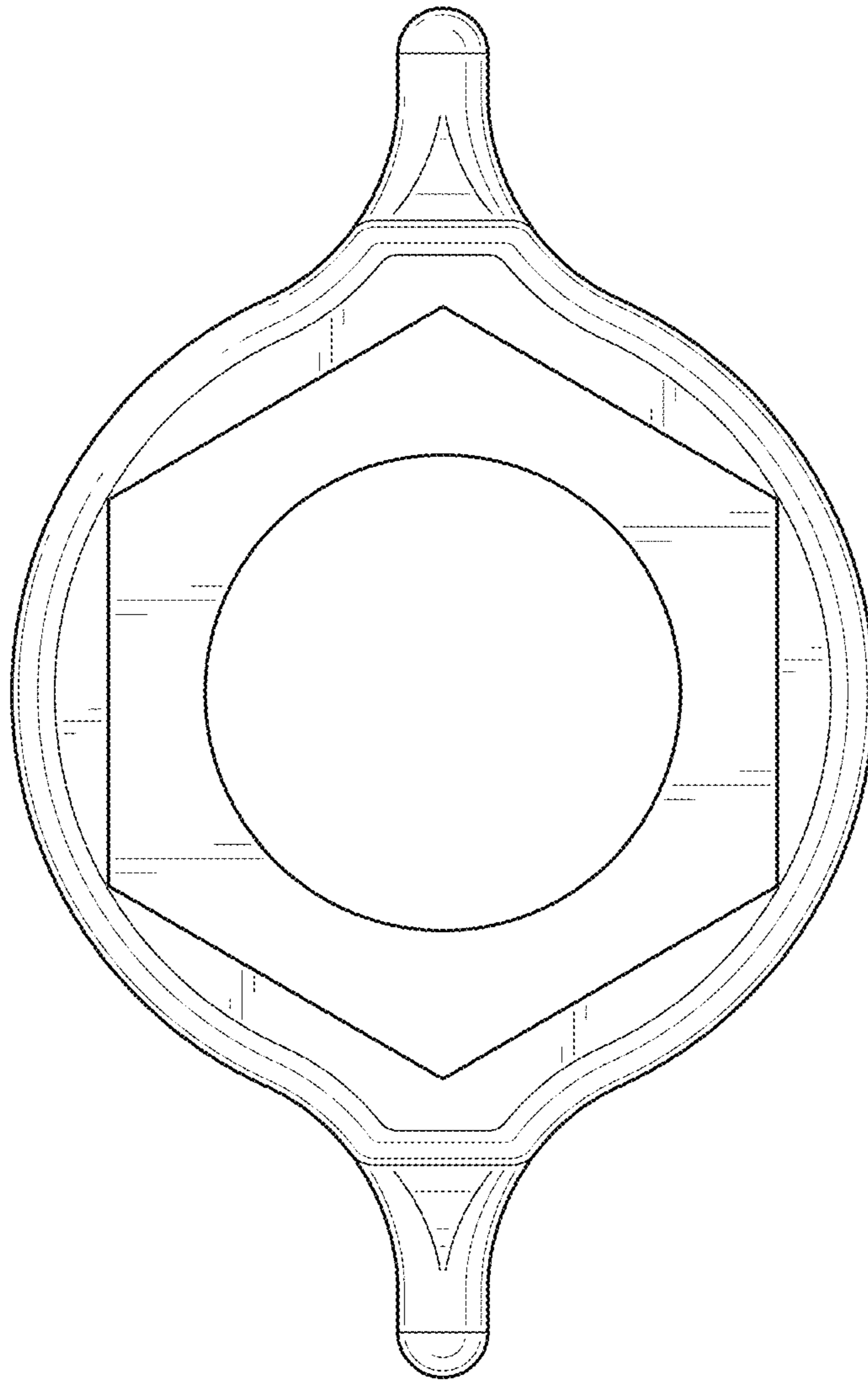


FIG. 10

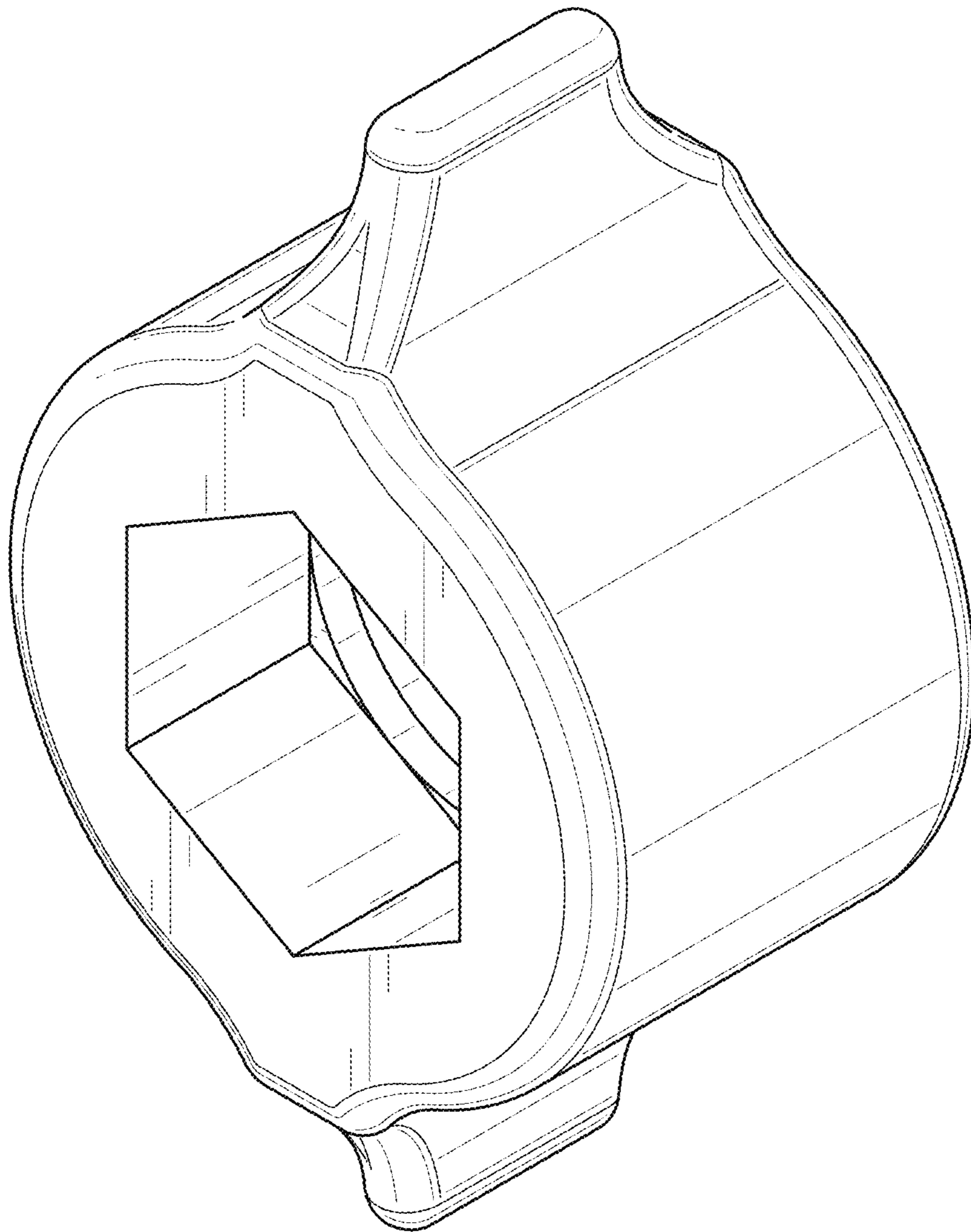


FIG. 11

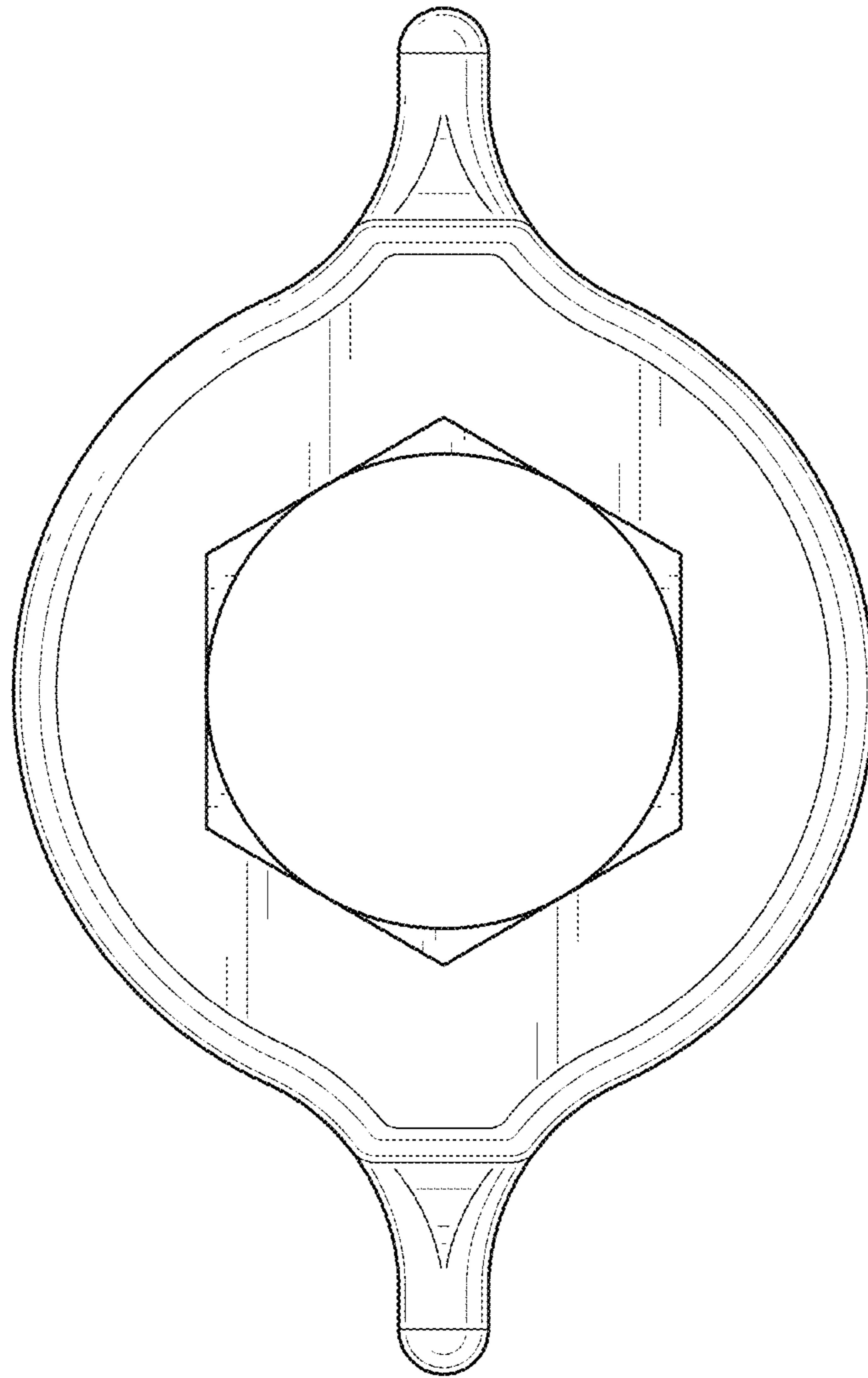


FIG. 12

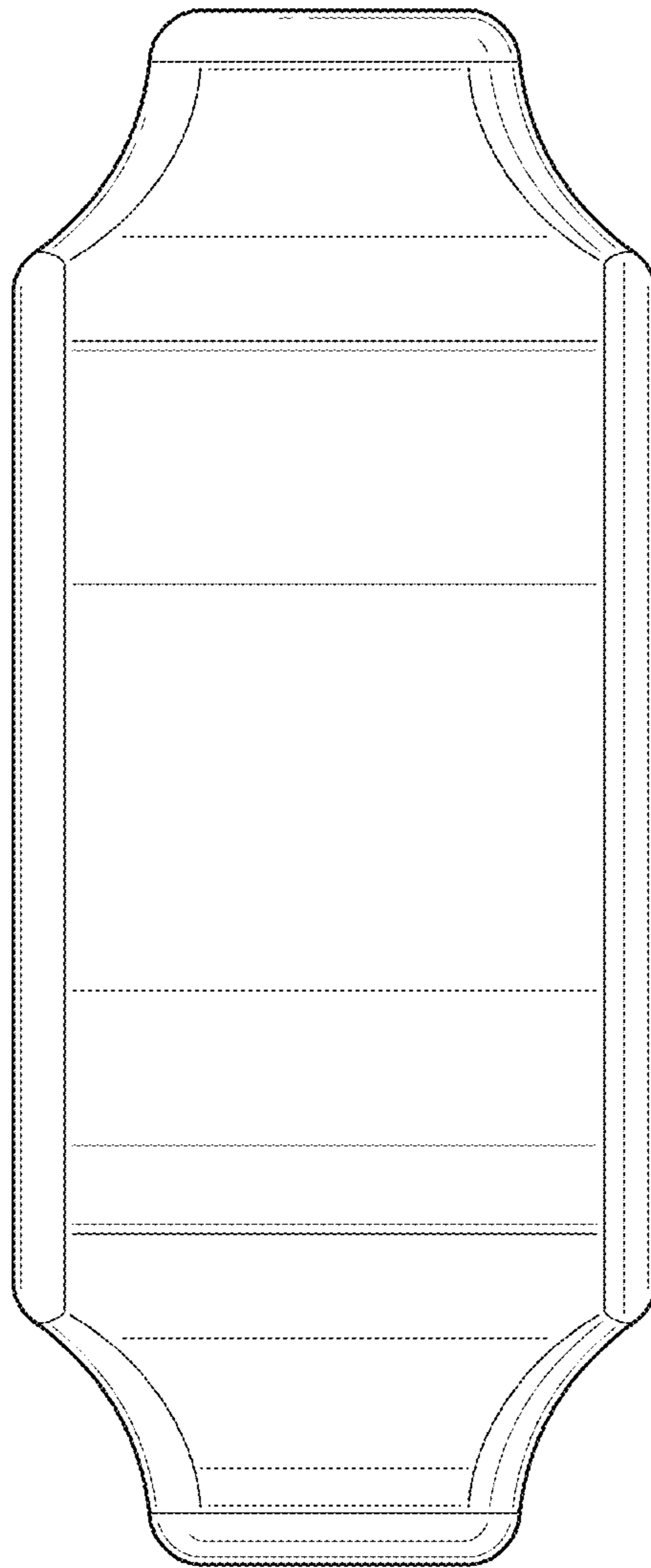


FIG. 13

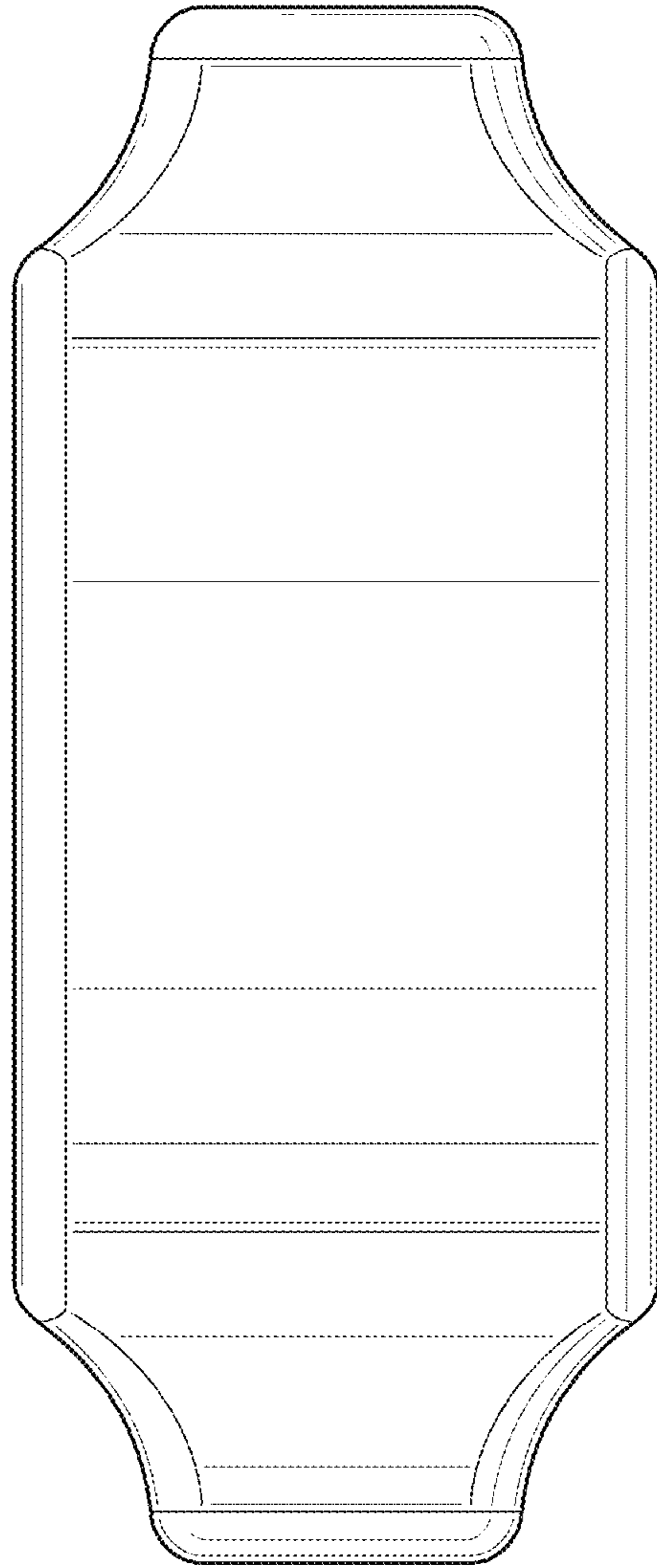


FIG. 14



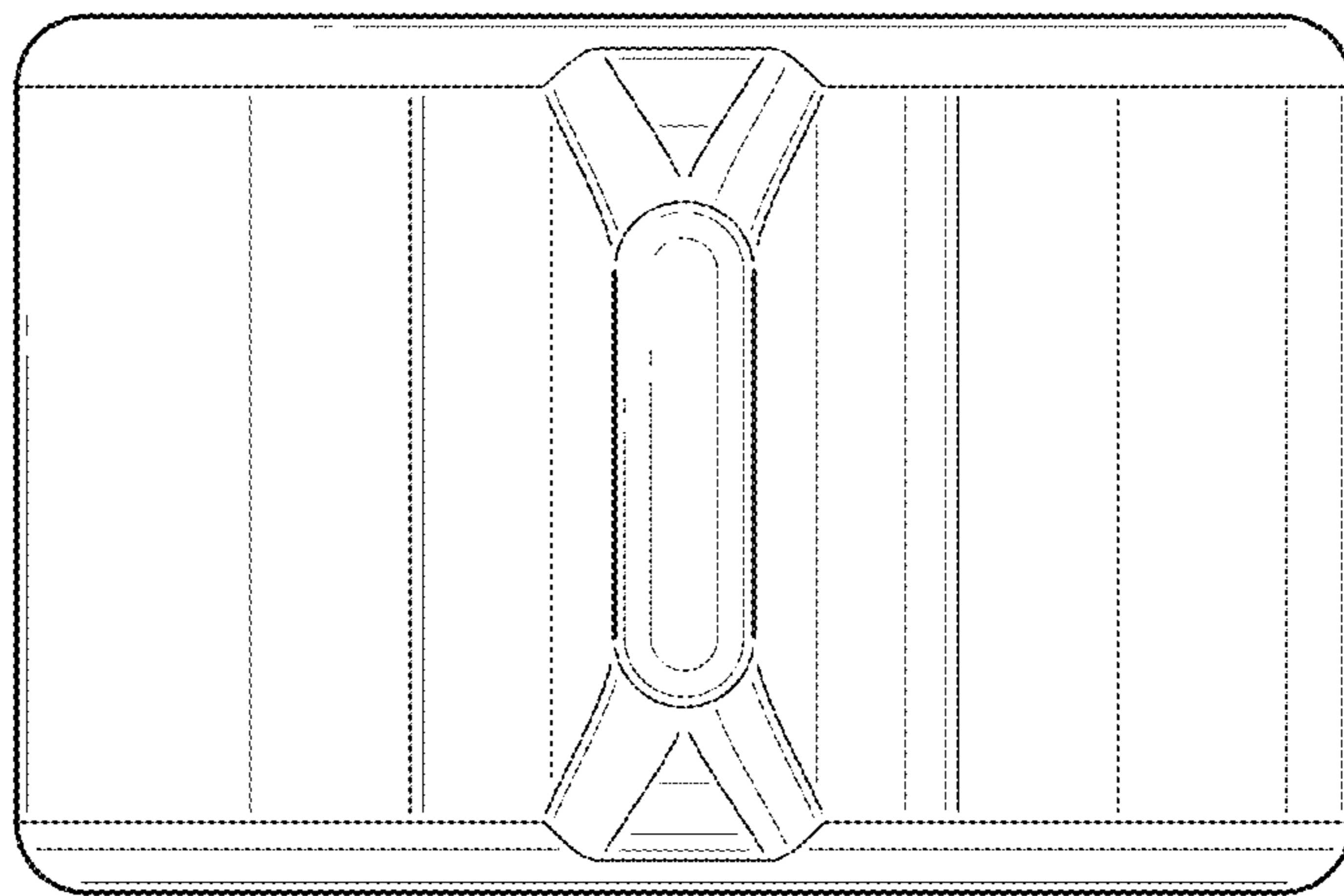


FIG. 15

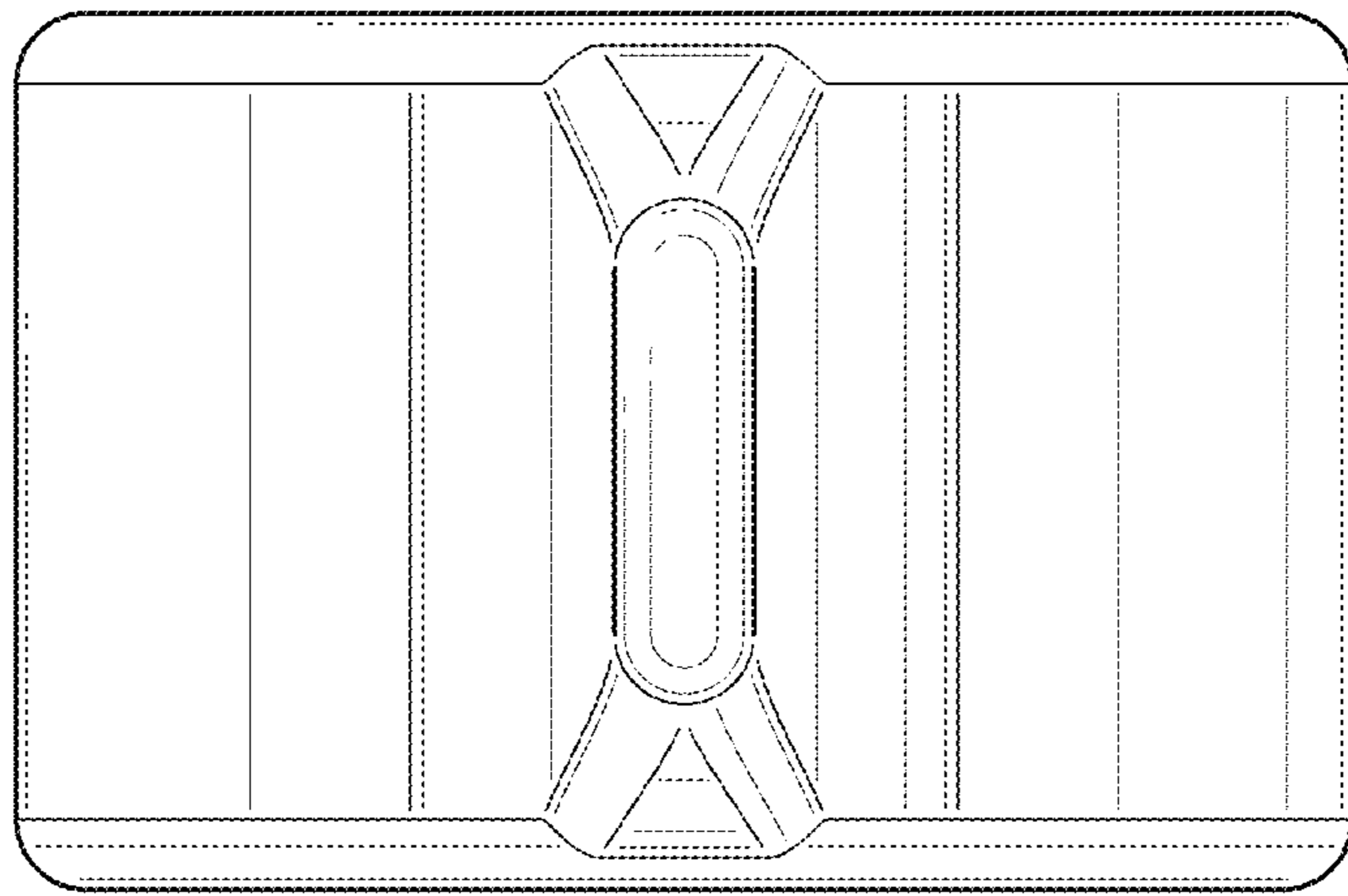


FIG. 16

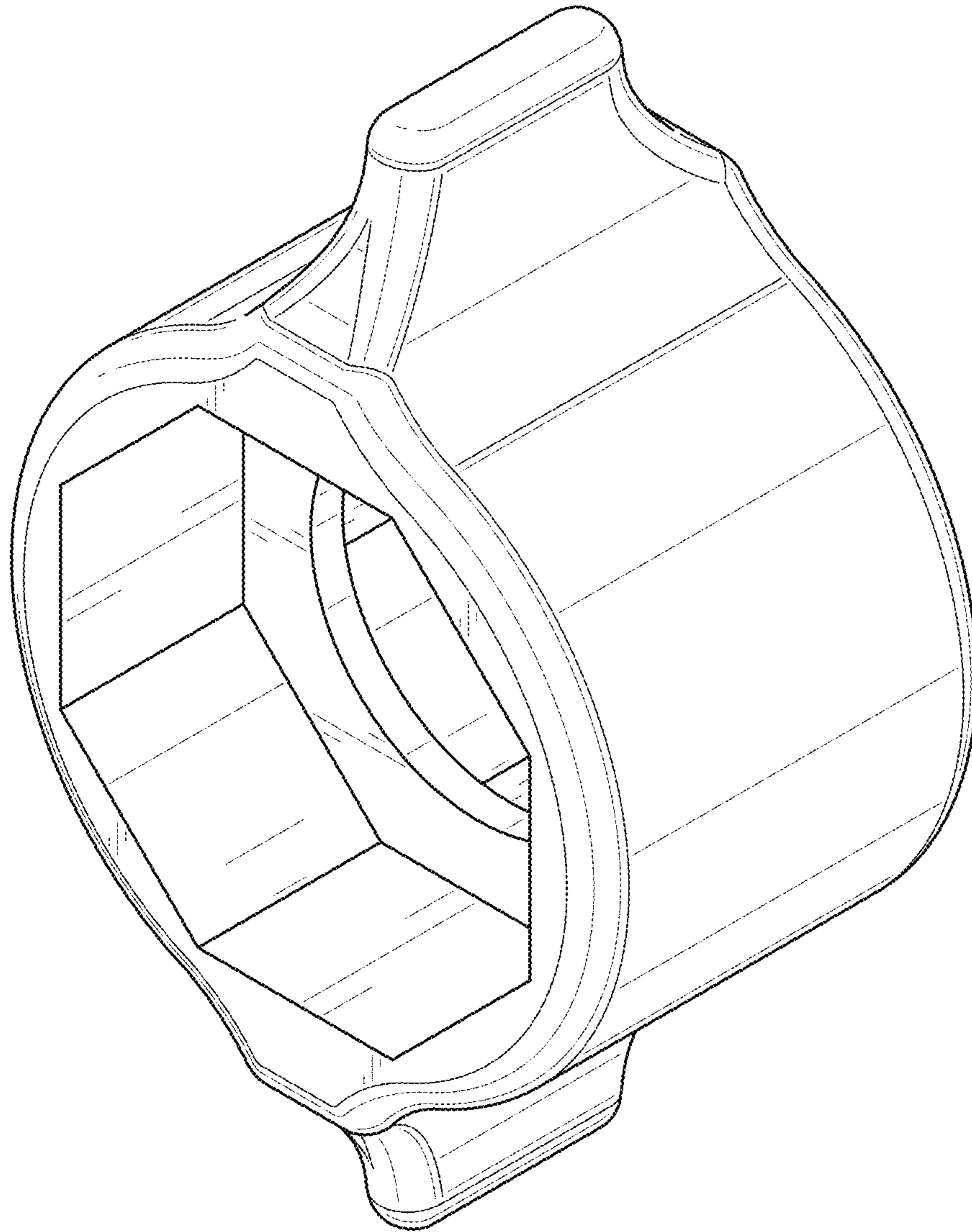


FIG. 17

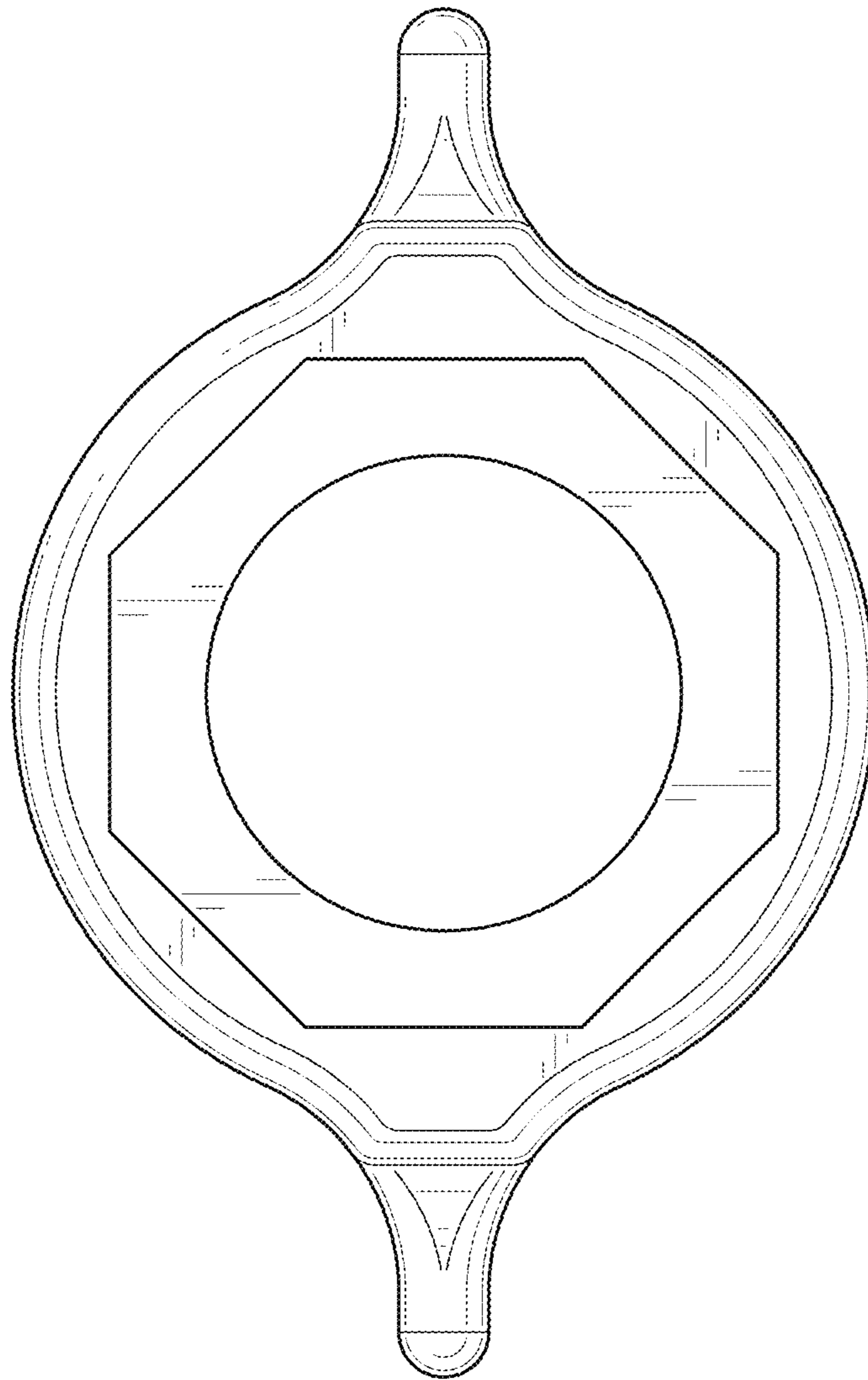


FIG. 18

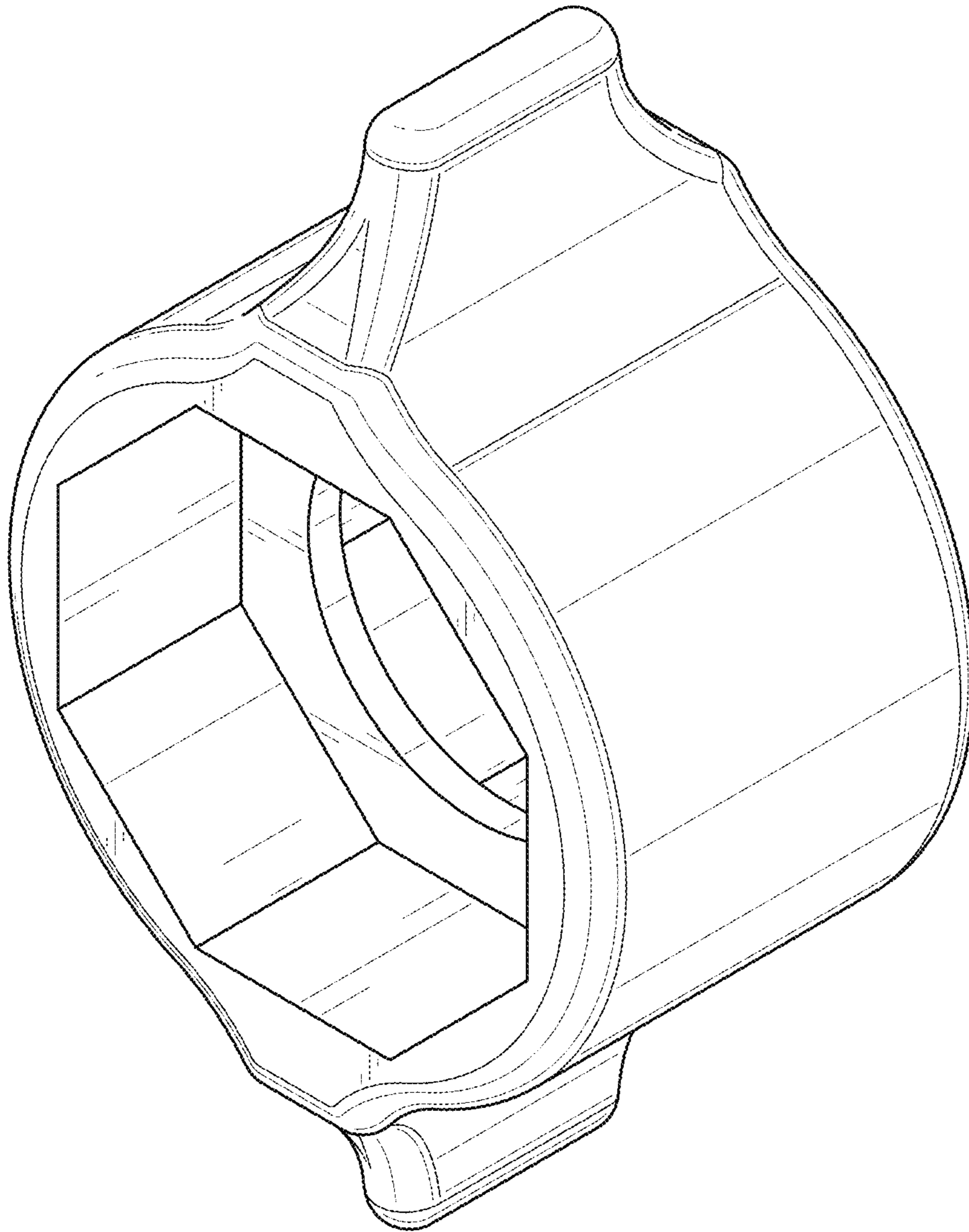


FIG. 19

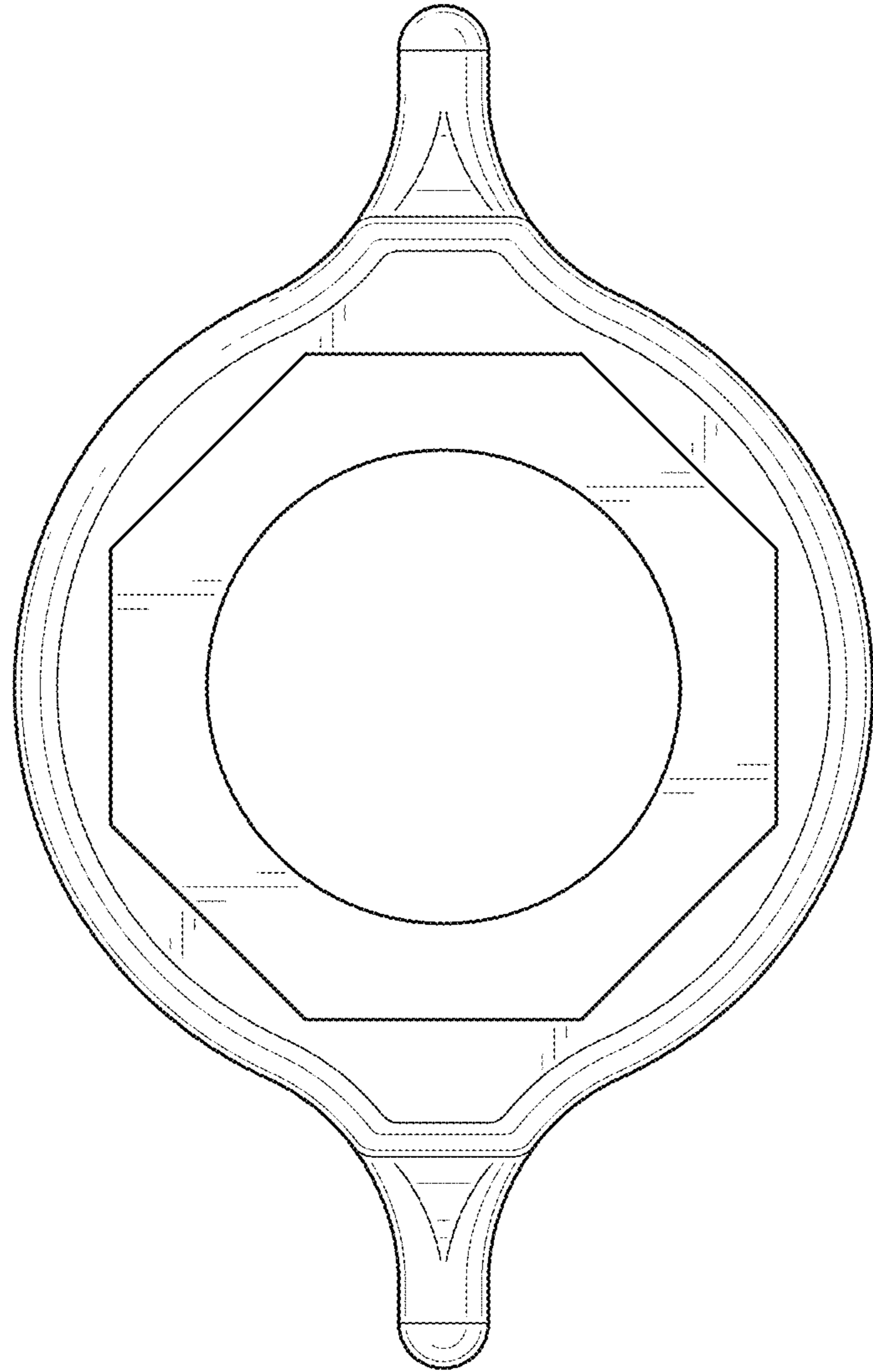


FIG. 20

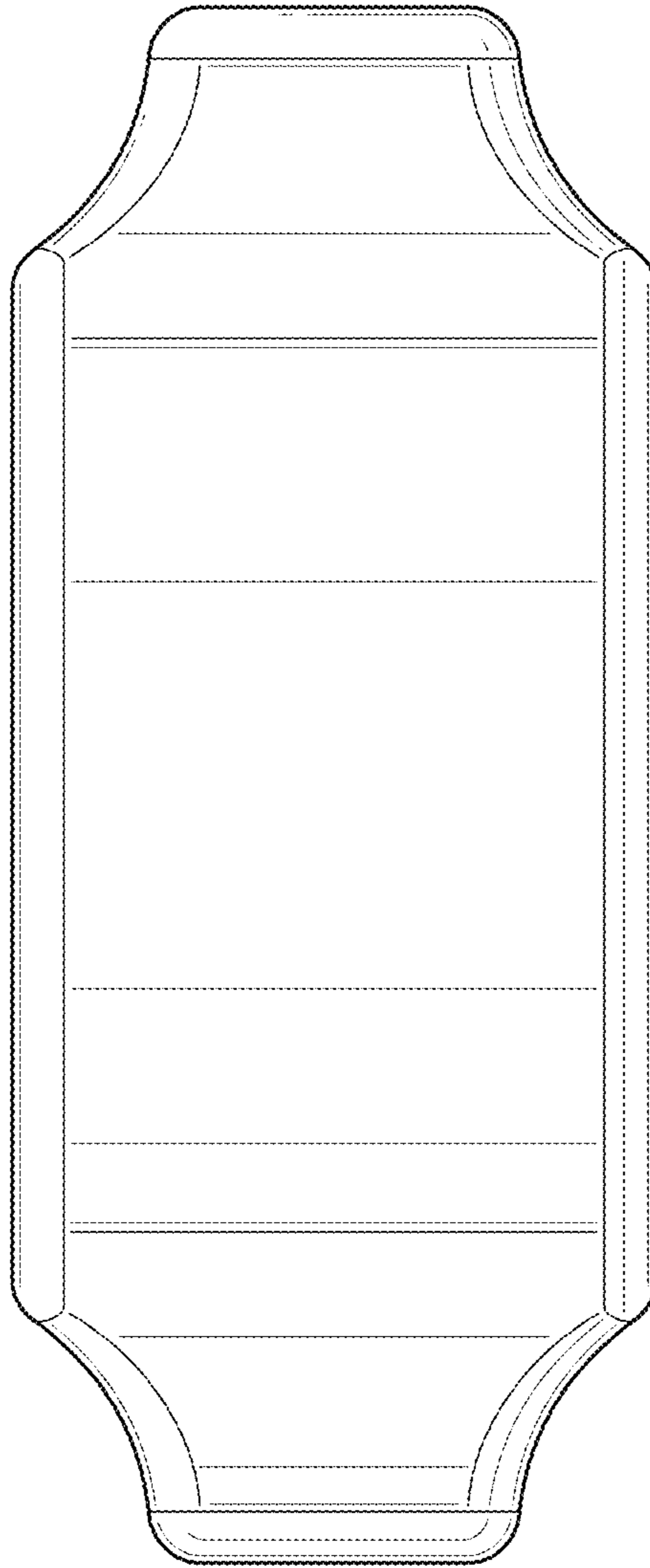


FIG. 21

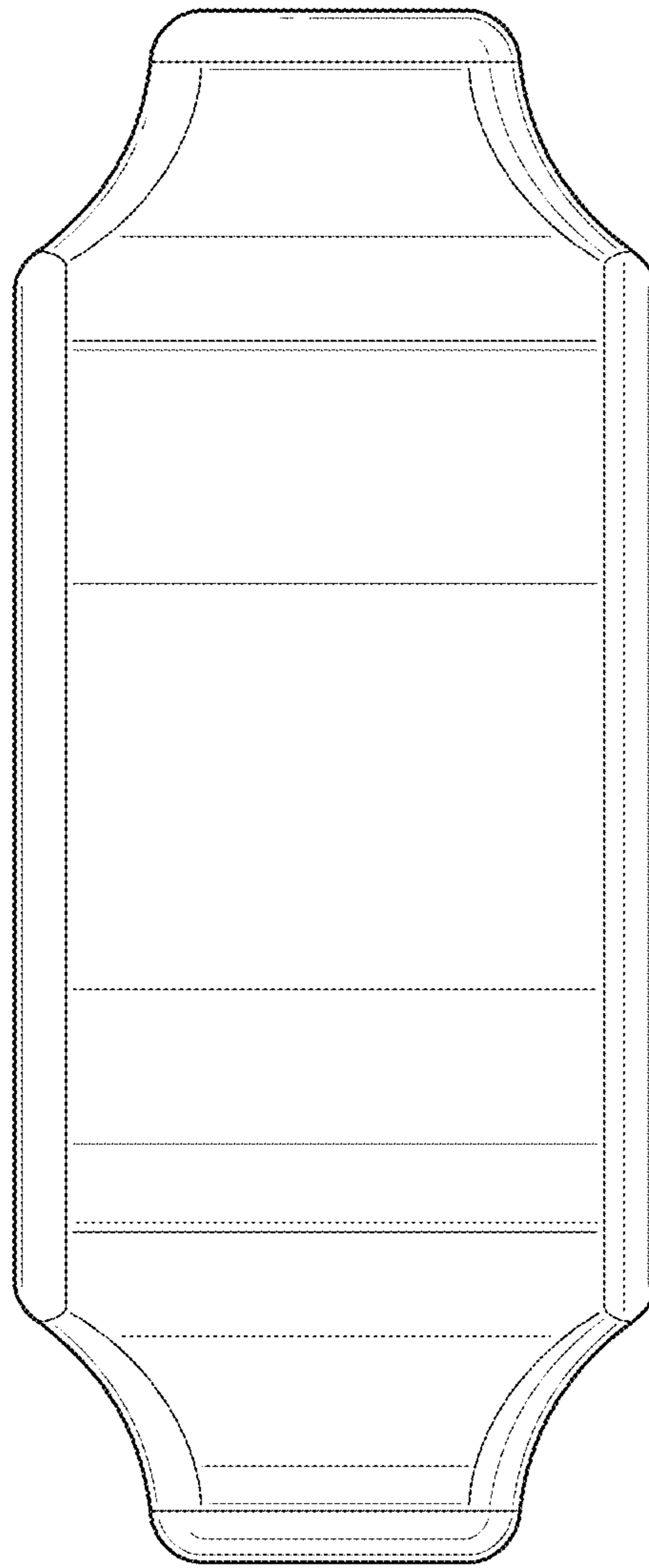


FIG. 22



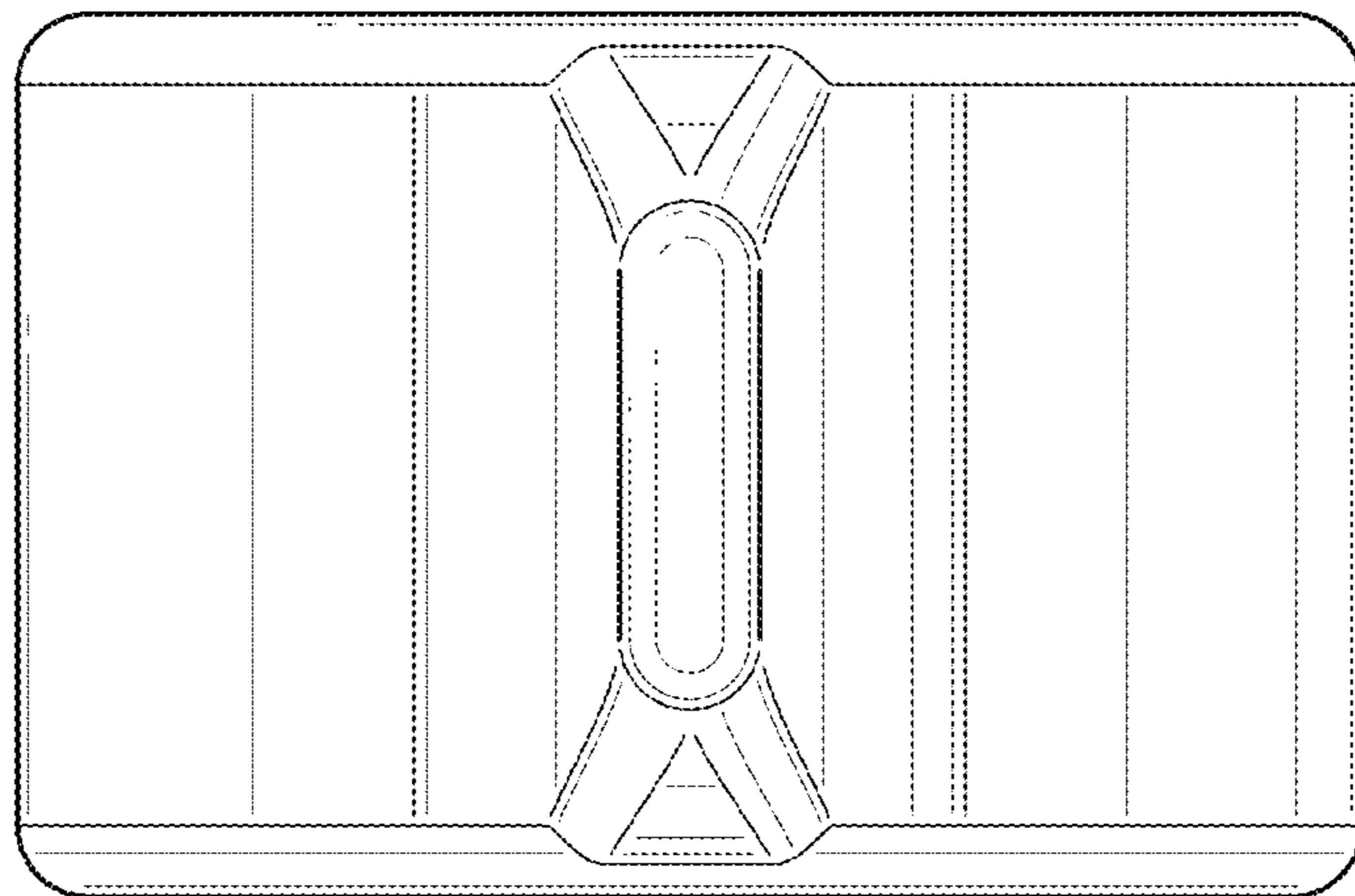


FIG. 23

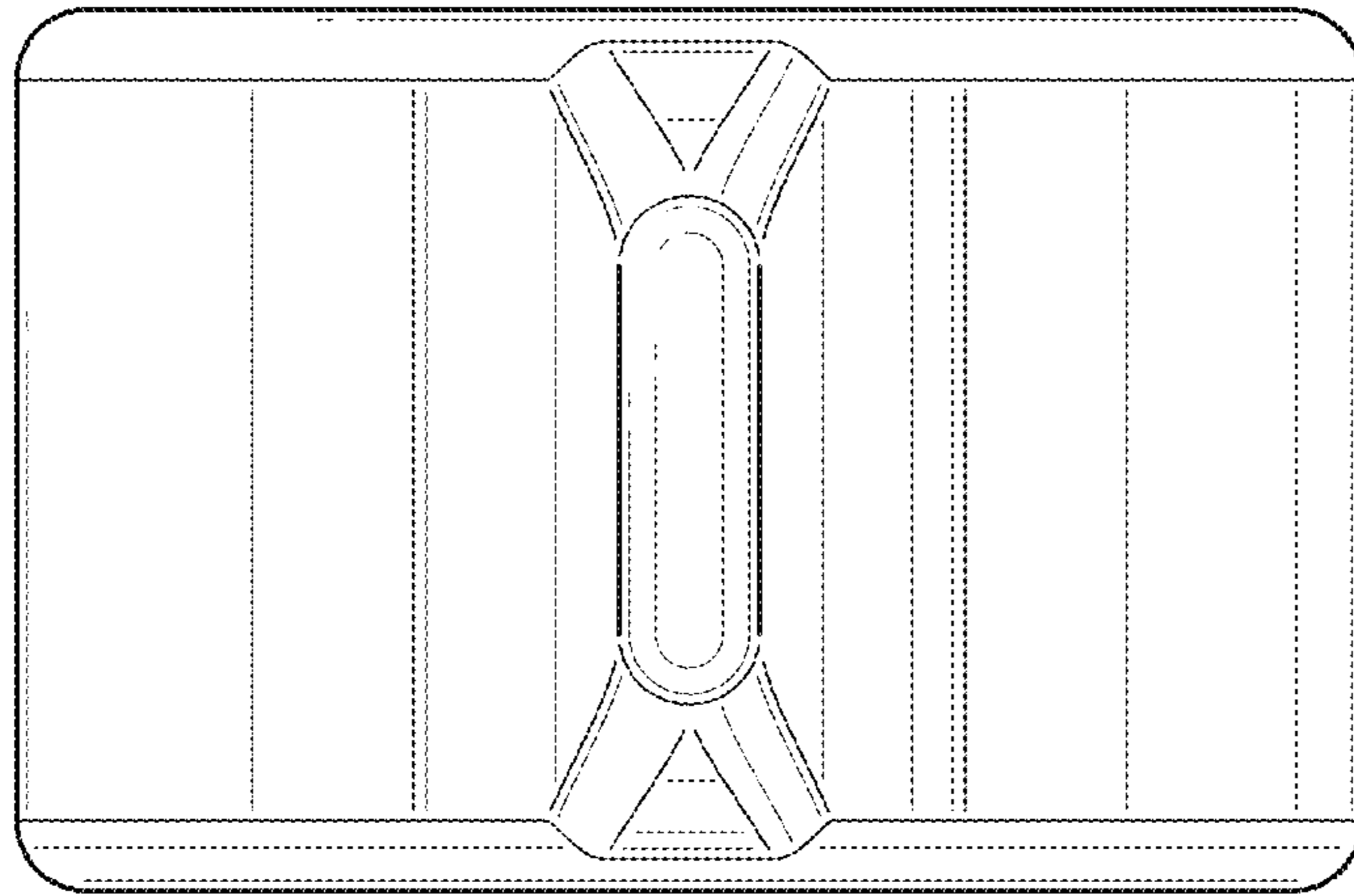


FIG. 24

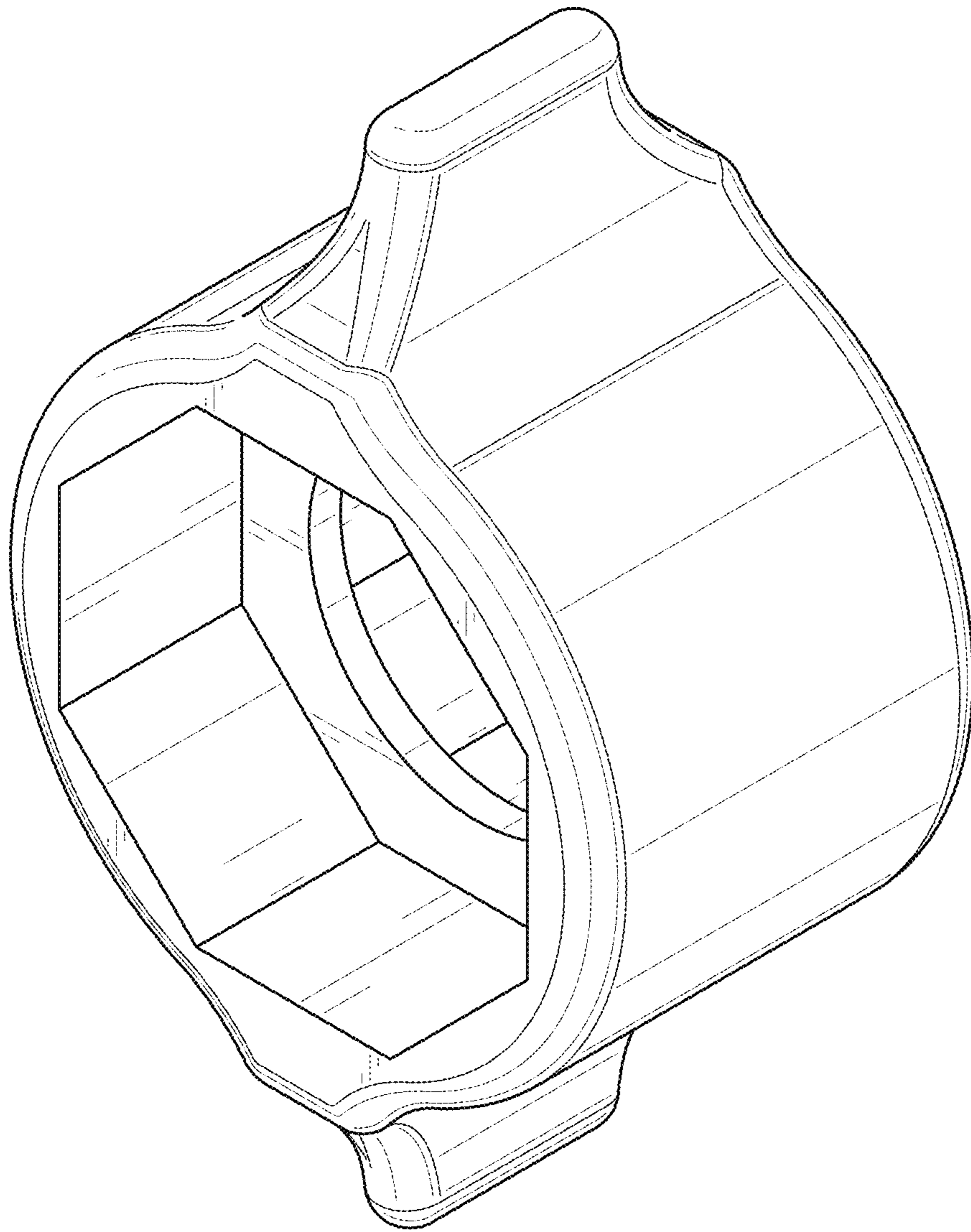


FIG. 25

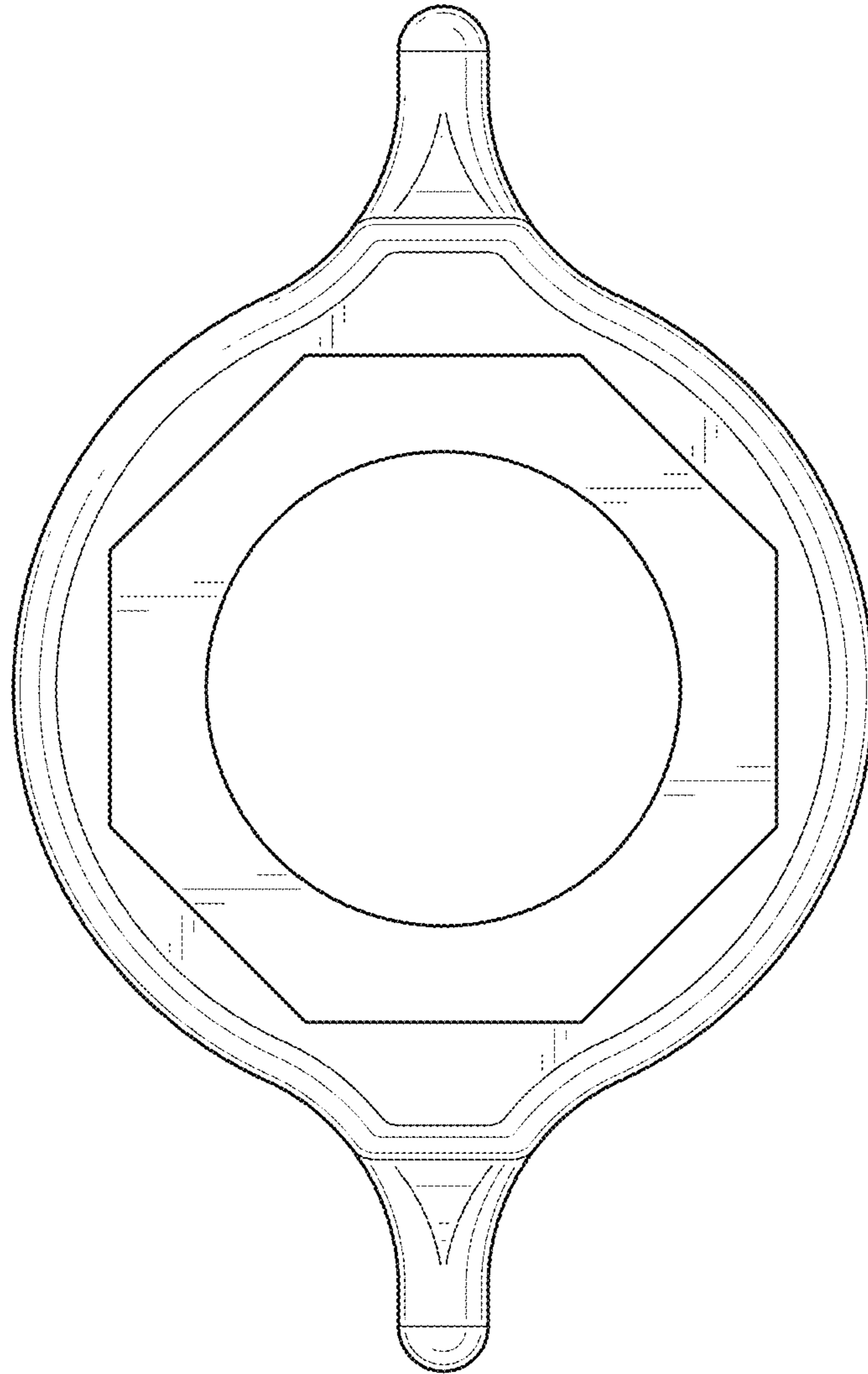


FIG. 26

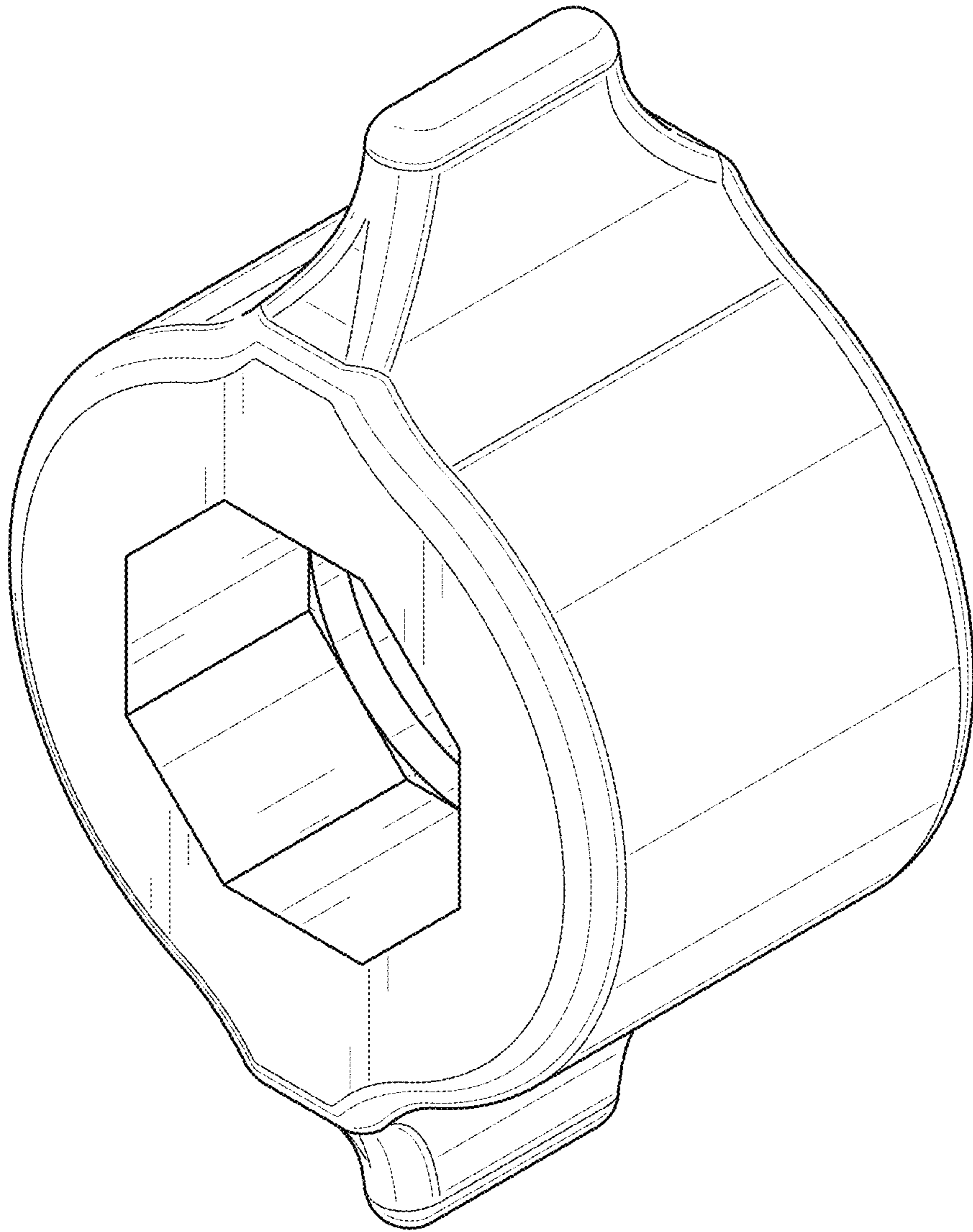


FIG. 27

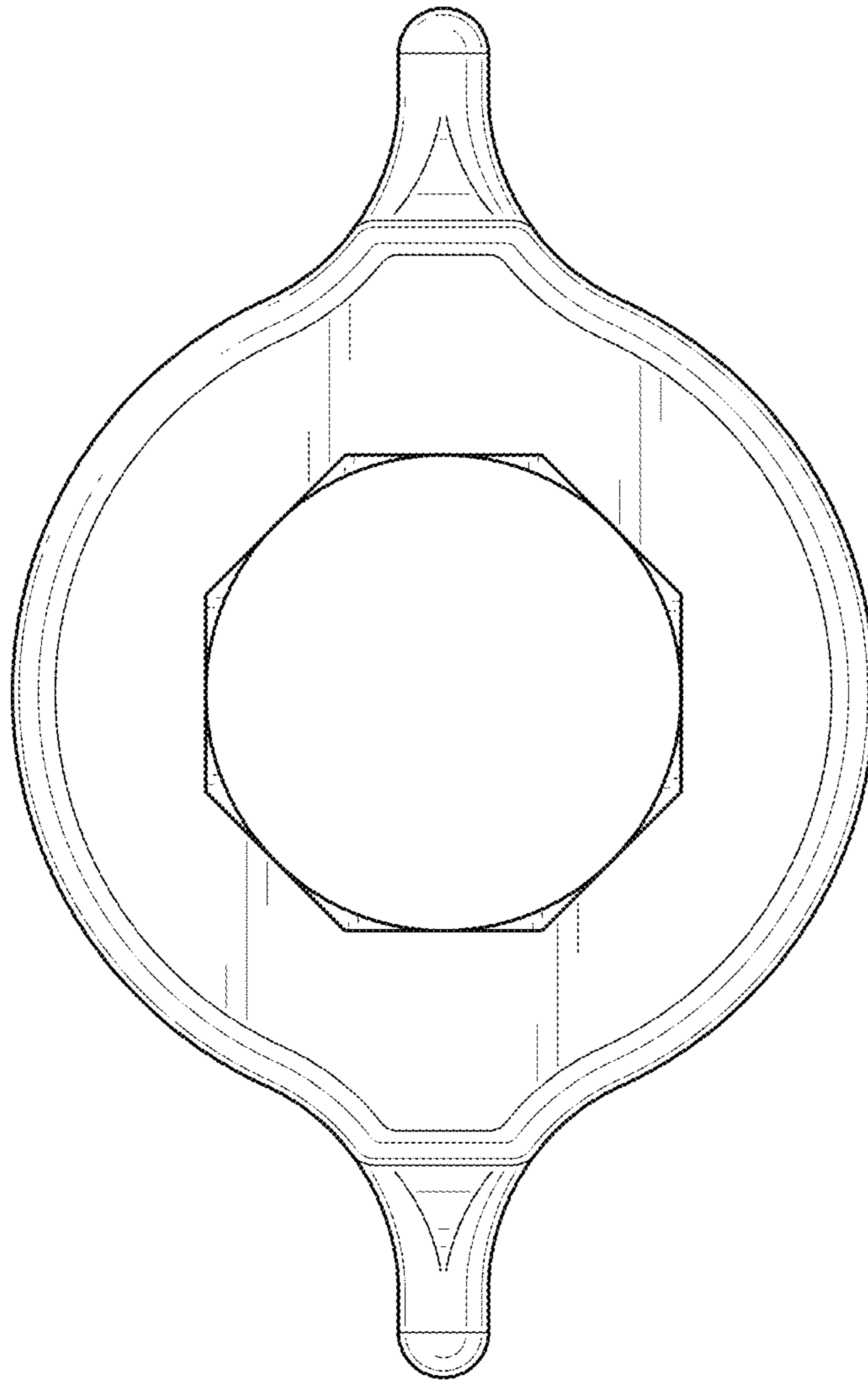


FIG. 28

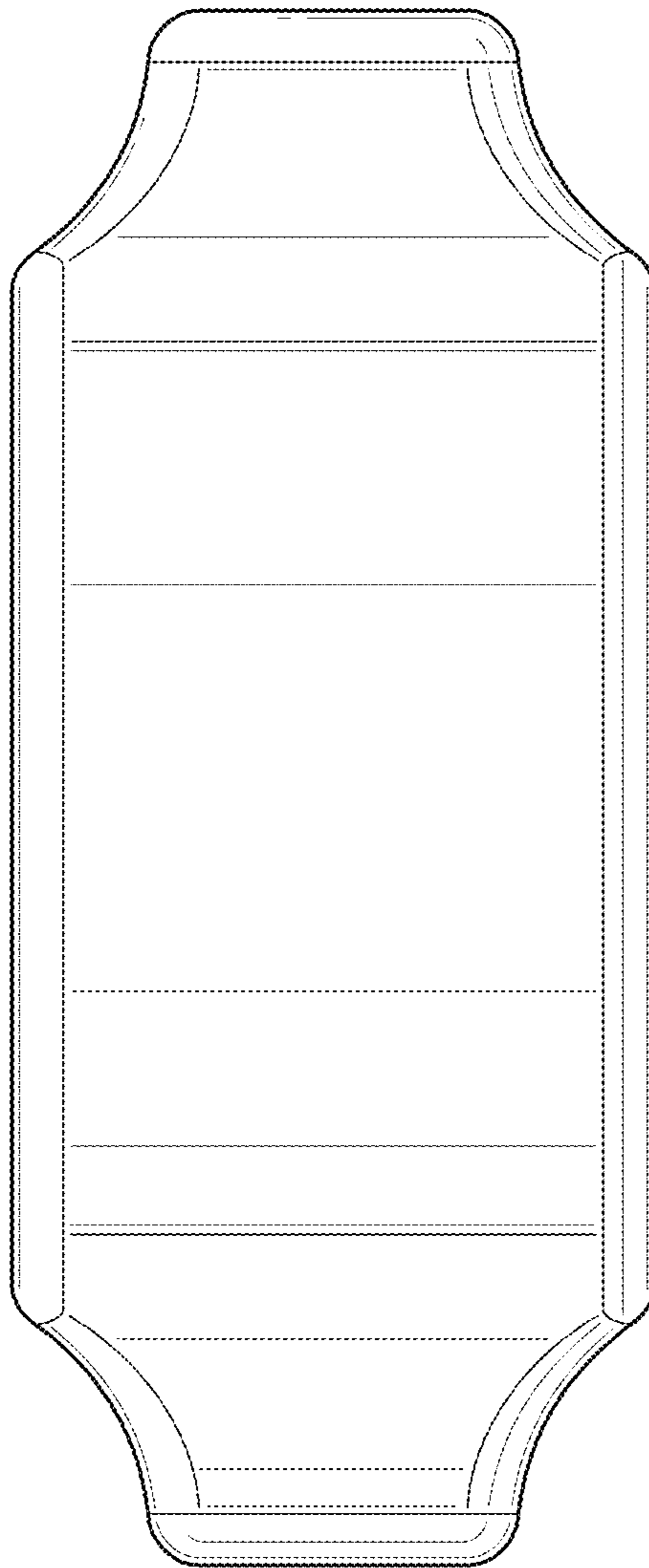


FIG. 29

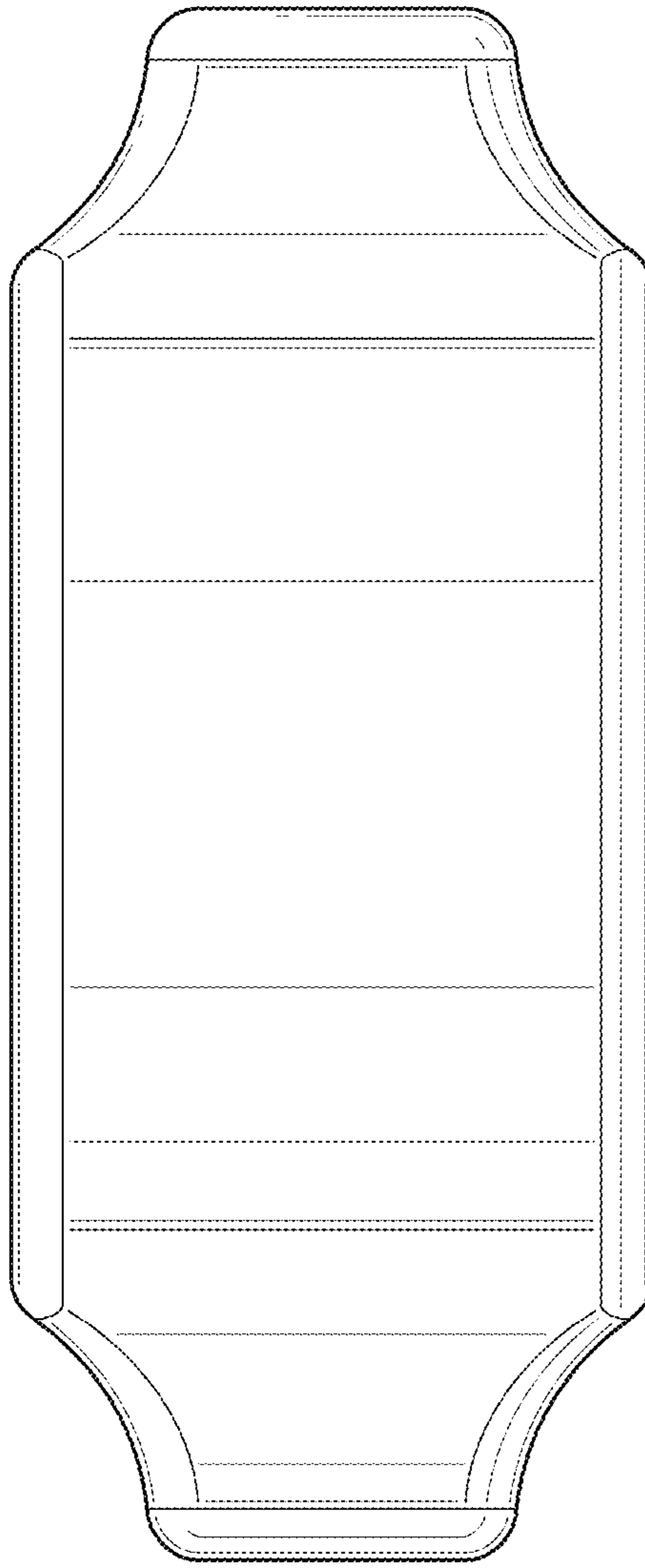


FIG. 30



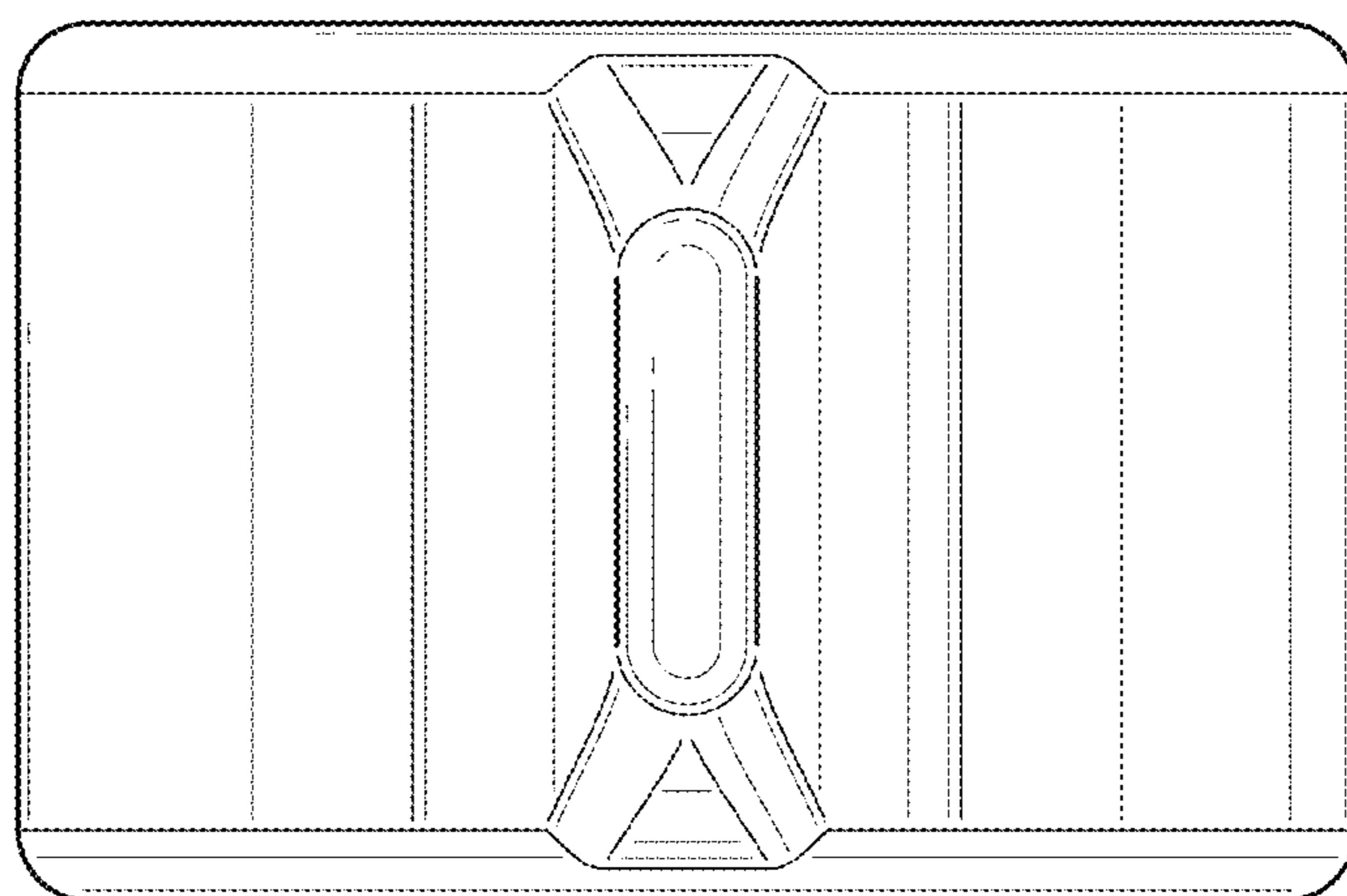


FIG. 31

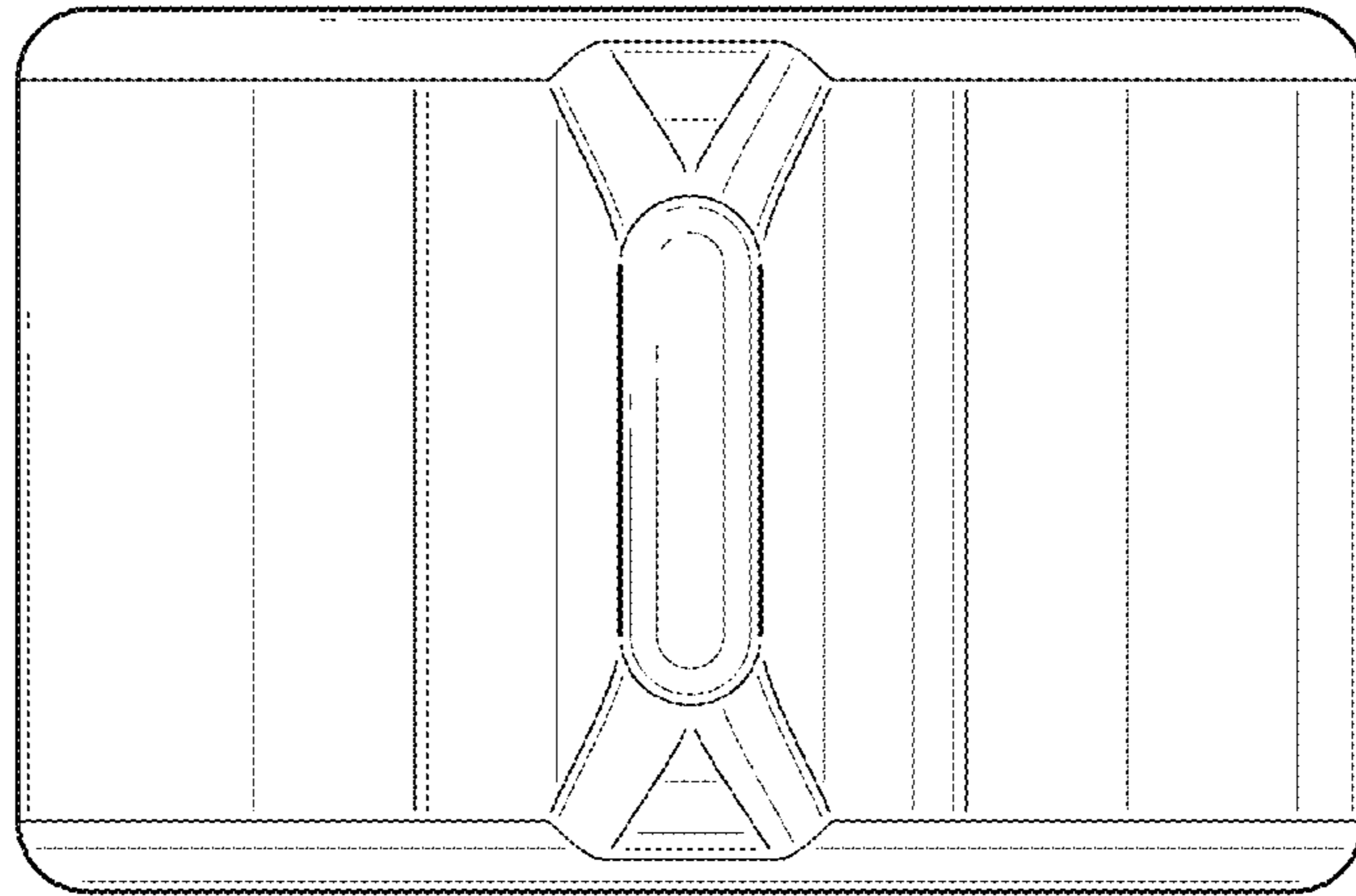


FIG. 32