



US00D794758S

(12) **United States Design Patent**
Block et al.

(10) **Patent No.: US D794,758 S**
(45) **Date of Patent: ** Aug. 15, 2017**

(54) **FAUCET BODY**

DESCRIPTION

- (71) Applicant: **Zurn Industries, LLC**, Milwaukee, WI (US)
- (72) Inventors: **Marc G. Block**, Apex, NC (US);
Michael A. Funari, Apex, NC (US)
- (73) Assignee: **Zurn Industries, LLC**, Milwaukee, WI (US)
- (**) Term: **15 Years**
- (21) Appl. No.: **29/566,241**
- (22) Filed: **May 27, 2016**
- (51) **LOC (10) Cl.** **23-01**
- (52) **U.S. Cl.**
USPC **D23/249**
- (58) **Field of Classification Search**
USPC D23/238-243, 255, 257, 249
CPC . E03C 1/00; E03C 1/04; E03C 1/0401; E03C 1/0402; E03C 1/0404; E03C 1/02; E03C 1/021; E03C 1/0403; F16K 27/06; F16K 27/067; F16K 27/0657
See application file for complete search history.

FIG. 1 is an isometric view of a top, front, and left side of an ornamental design of a faucet body;
 FIG. 2 is an isometric view of a bottom, front, and right side of the faucet body of FIG. 1;
 FIG. 3 is a front elevational view of the faucet body of FIG. 1;
 FIG. 4 is a rear elevational view of the faucet body of FIG. 1;
 FIG. 5 is a right side elevational view of the faucet body of FIG. 1, the left side elevational view being a mirror image thereof;
 FIG. 6 is a bottom plan view of the faucet body of FIG. 1;
 FIG. 7 is a top plan view of the faucet body of FIG. 1;
 FIG. 8 is an isometric view of a top, front, and left side of an ornamental design of another embodiment of a faucet body;
 FIG. 9 is an isometric view of a bottom, front, and right side of the faucet body of FIG. 8;
 FIG. 10 is a front elevational view of the faucet body of FIG. 8;
 FIG. 11 is a rear elevational view of the faucet body of FIG. 8;
 FIG. 12 is a right side elevational view of the faucet body of FIG. 8, the left side elevational view being a mirror image thereof;
 FIG. 13 is a bottom plan view of the faucet body of FIG. 8; and
 FIG. 14 is a top plan view of the faucet body of FIG. 8.
 In a preferred embodiment, the nature of this product is as a housing or body for a faucet such as a bathroom or kitchen faucet.
 The dash-dash broken lines are for the purpose of illustrating unclaimed subject matter only and form no part of the claimed design. The broken away portions on the faucet body of FIGS. 8-11 and 13-14 represent indeterminate width of the claimed design. FIGS. 6 and 13 form no part of the claimed design.

(56) **References Cited**

U.S. PATENT DOCUMENTS

D383,194 S *	9/1997	Doughty	D23/249
D468,402 S *	1/2003	Panis	D23/241
D468,403 S *	1/2003	Panis	D23/241
D490,879 S *	6/2004	Lin	D23/238

(Continued)

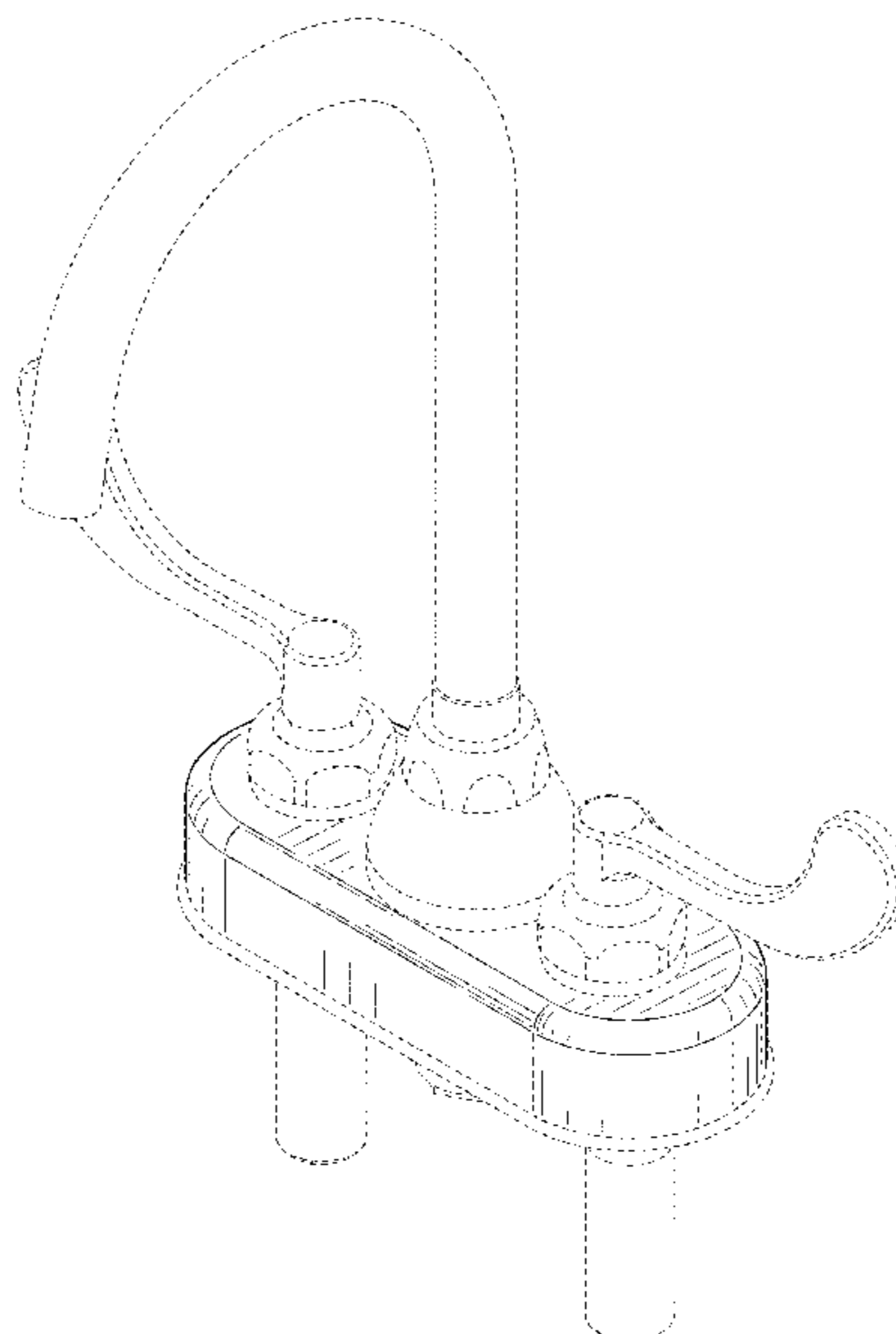
Primary Examiner — Robert Delehanty

(74) *Attorney, Agent, or Firm* — Quarles & Brady LLP

(57) **CLAIM**

The ornamental design for a faucet body, as shown and described.

1 Claim, 14 Drawing Sheets



(56)

References Cited

U.S. PATENT DOCUMENTS

7,748,406 B2 * 7/2010 Pilatowicz E03C 1/08
137/603

* cited by examiner

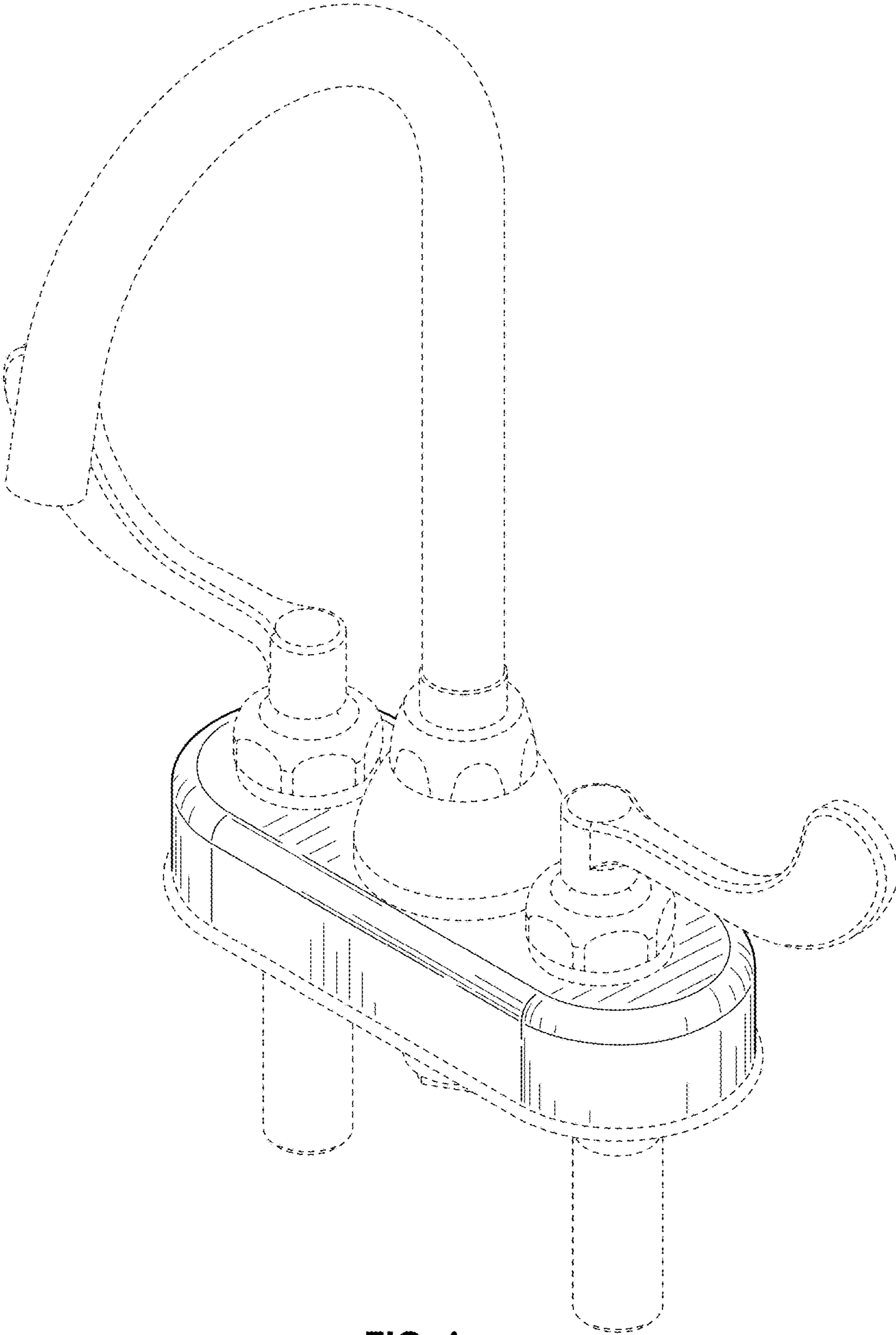


FIG. 1

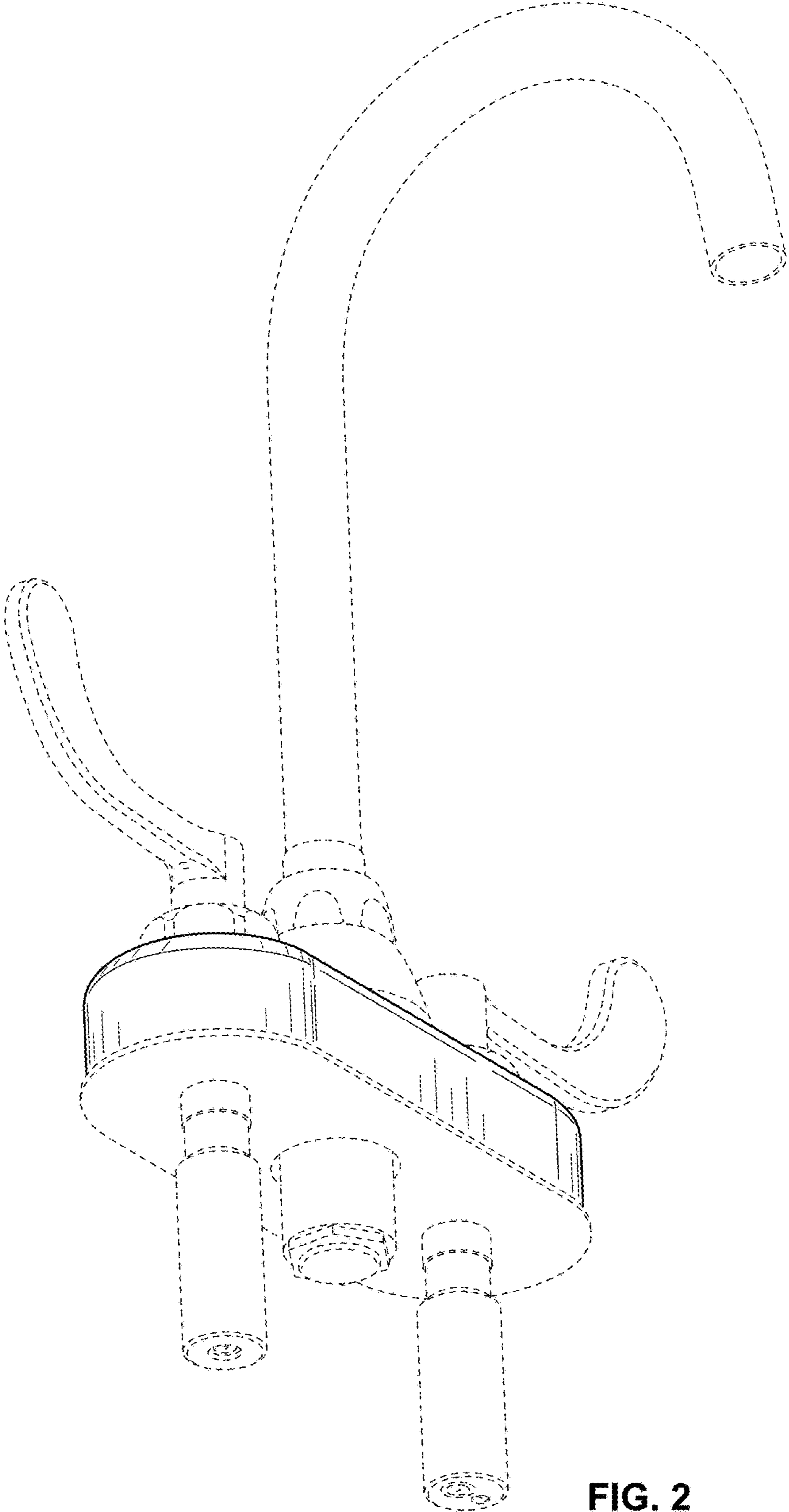


FIG. 2

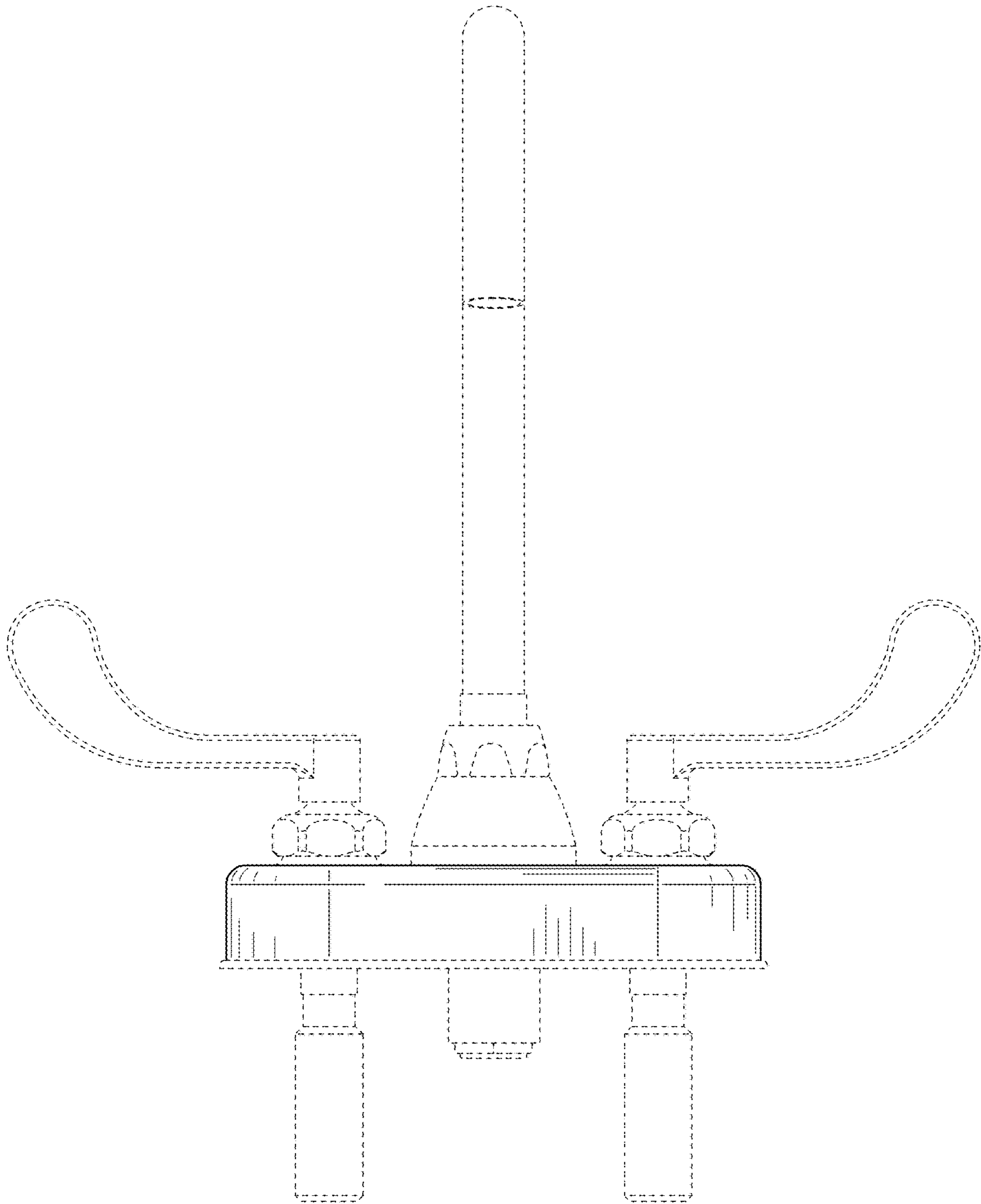


FIG. 3

REPLACEMENT SHEET

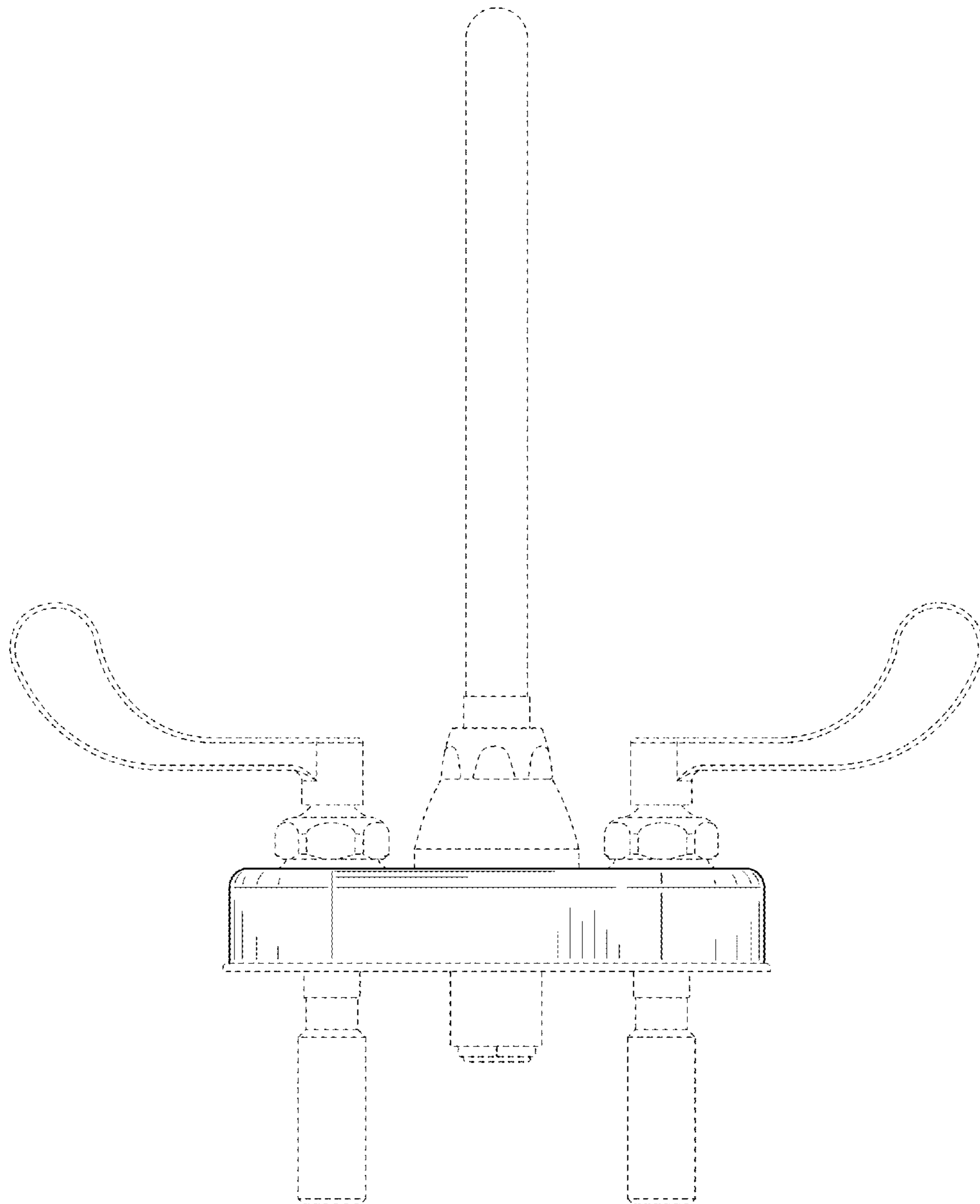


FIG. 4

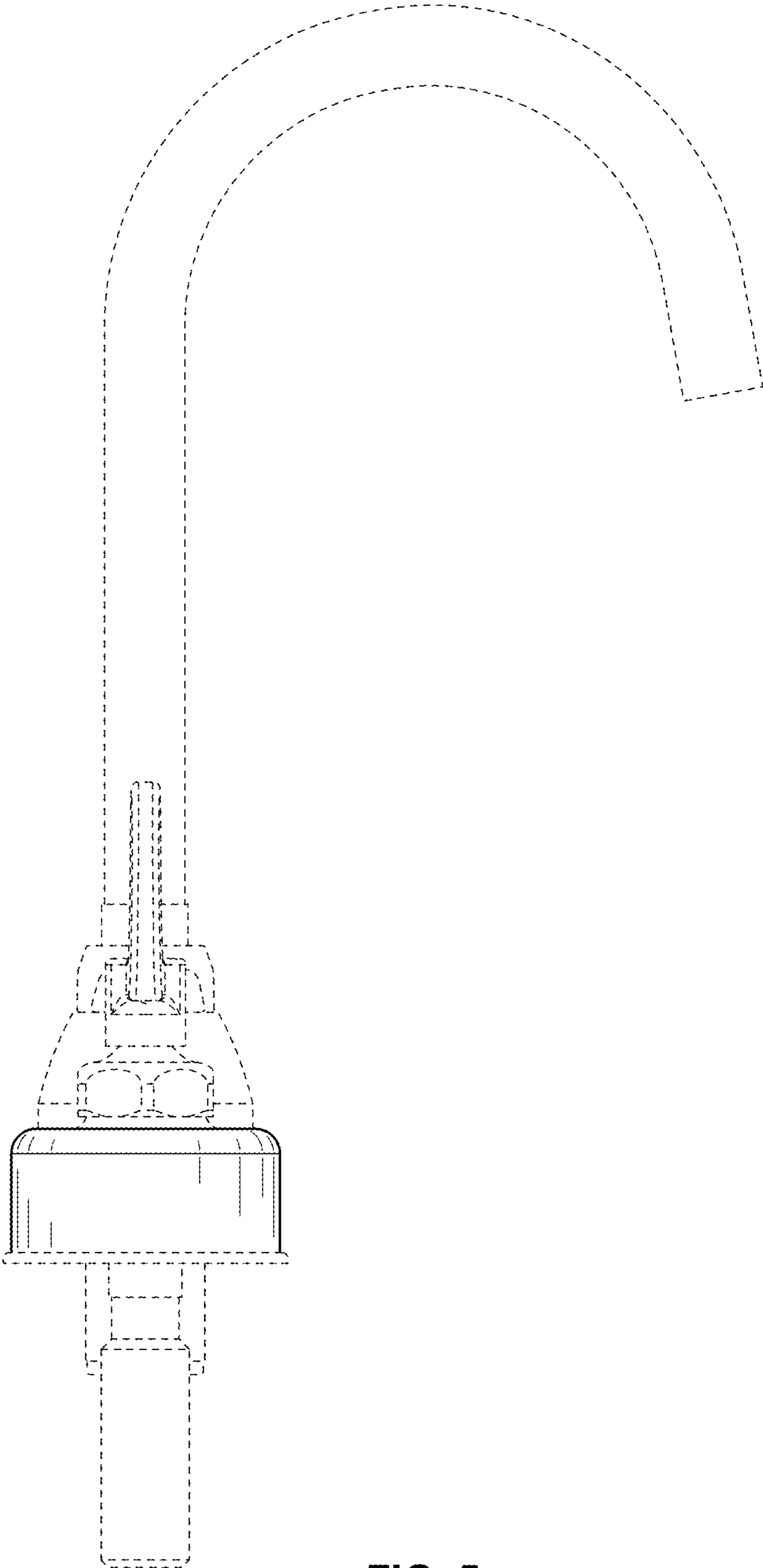


FIG. 5

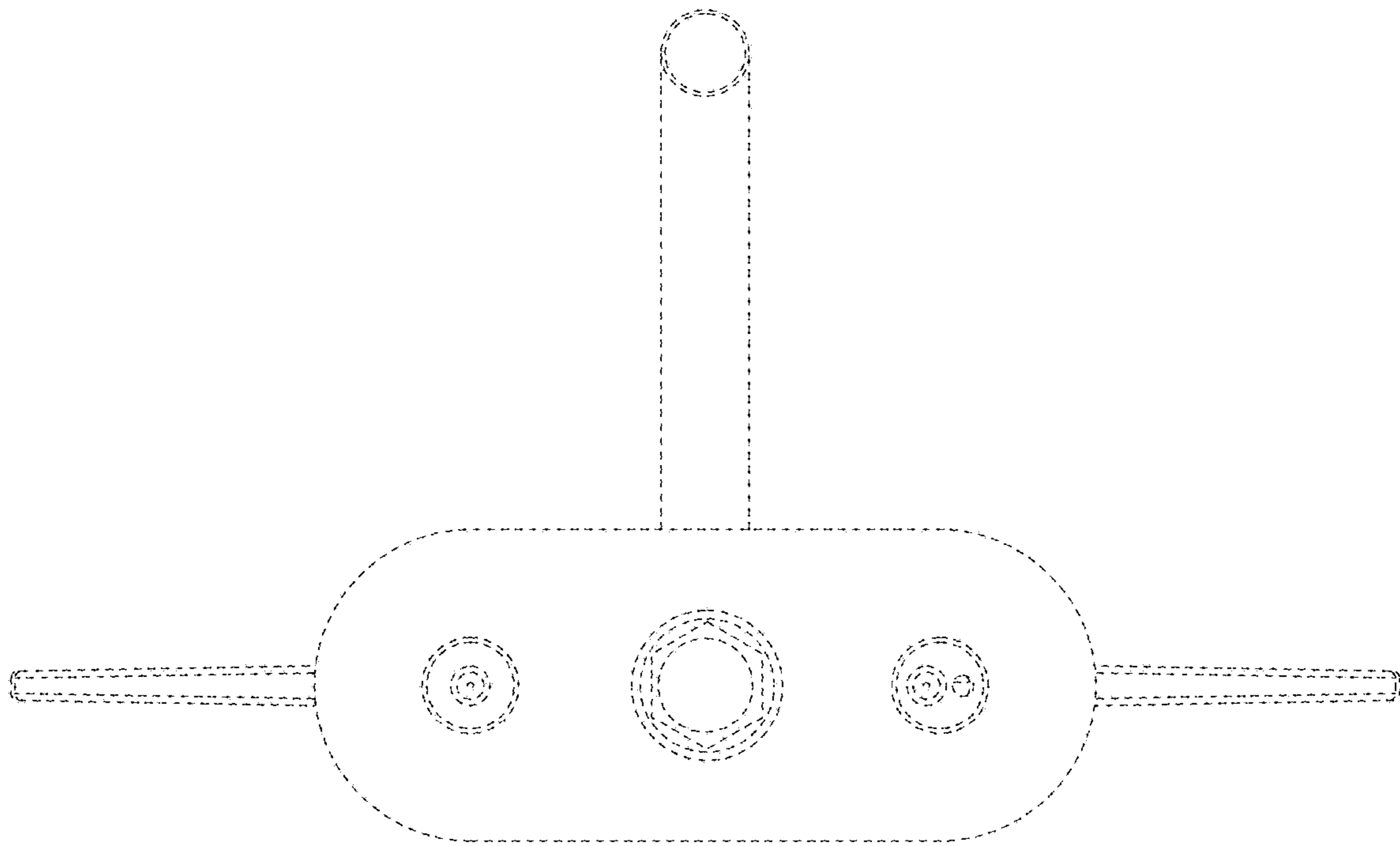


FIG. 6

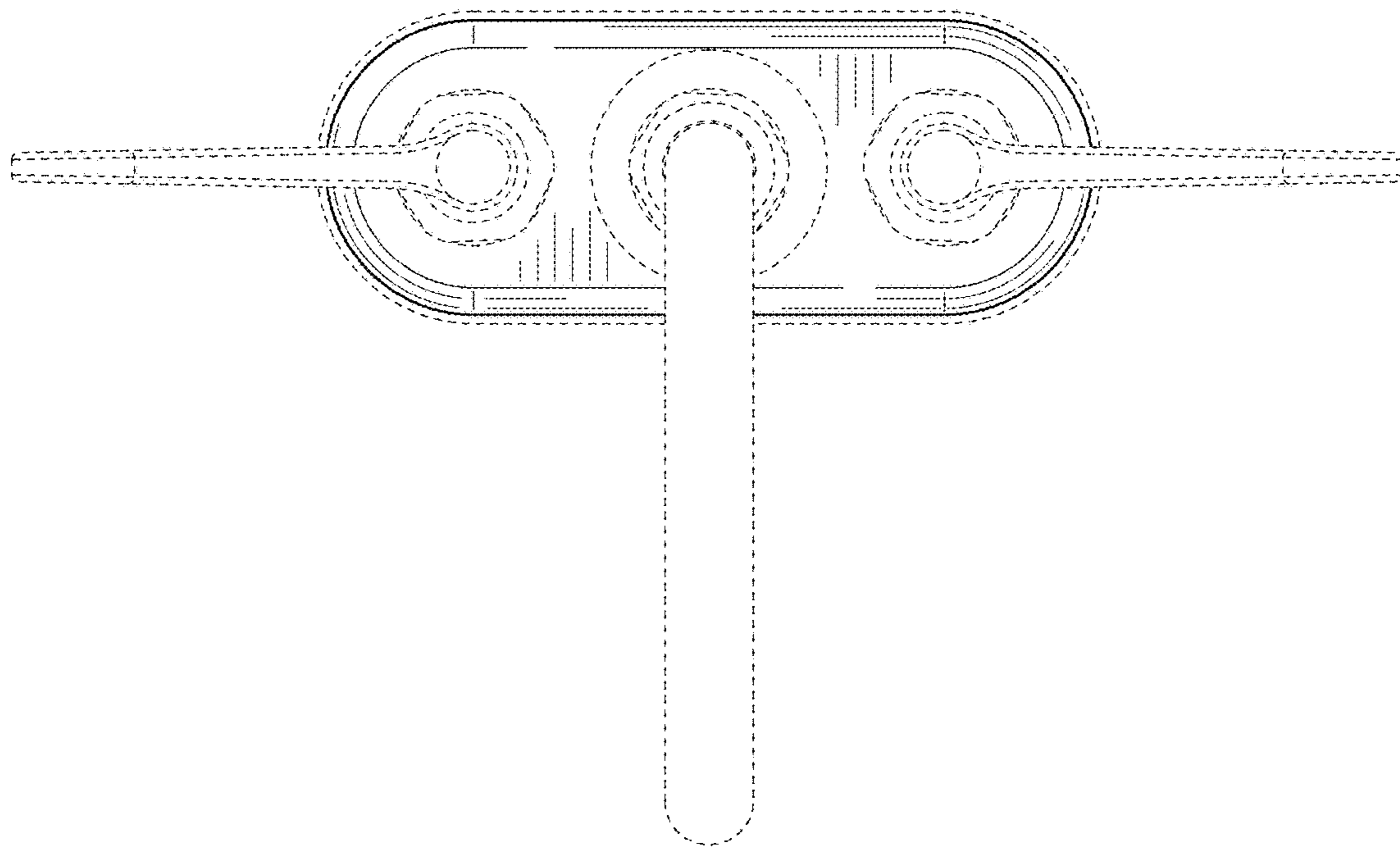


FIG. 7

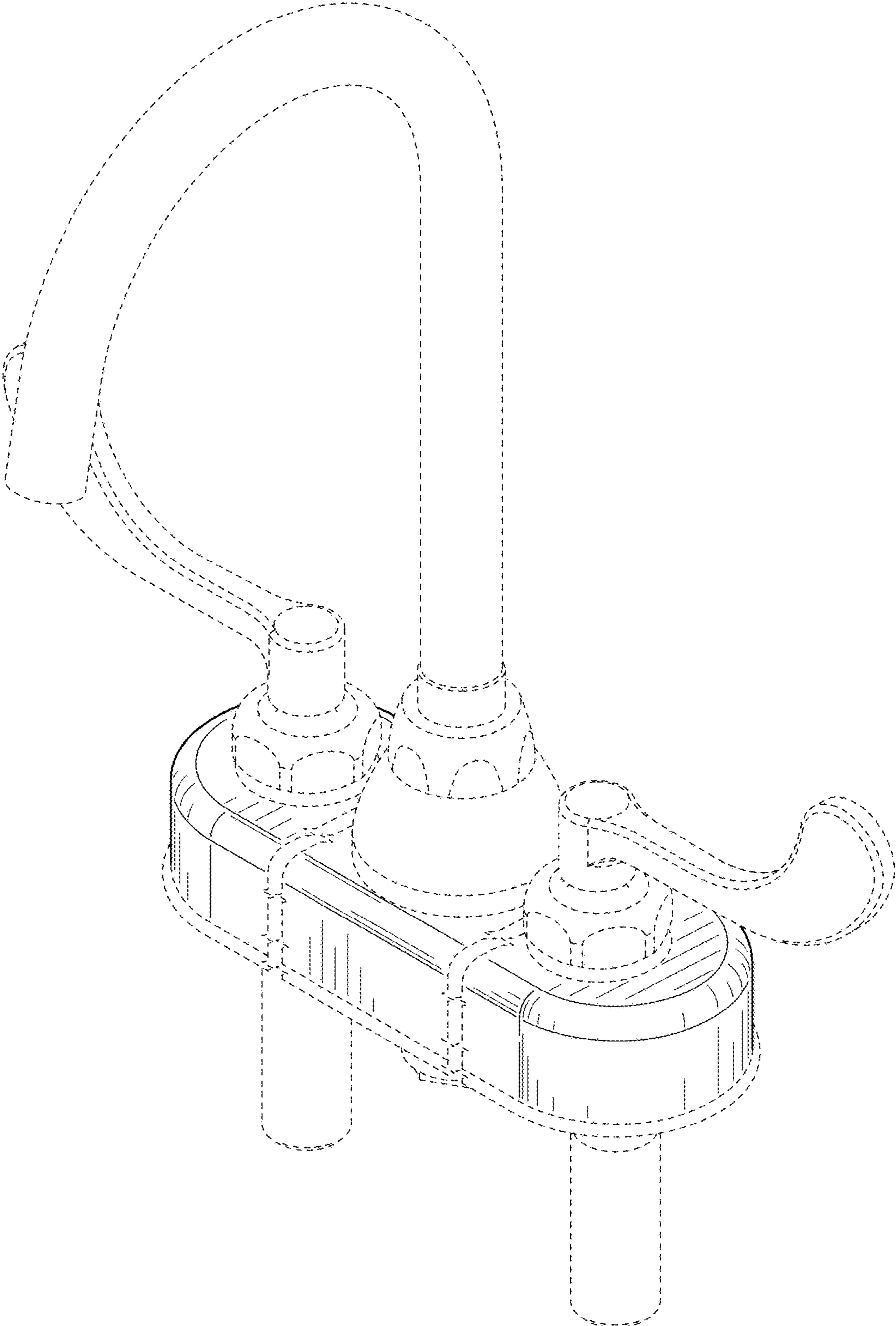


FIG. 8

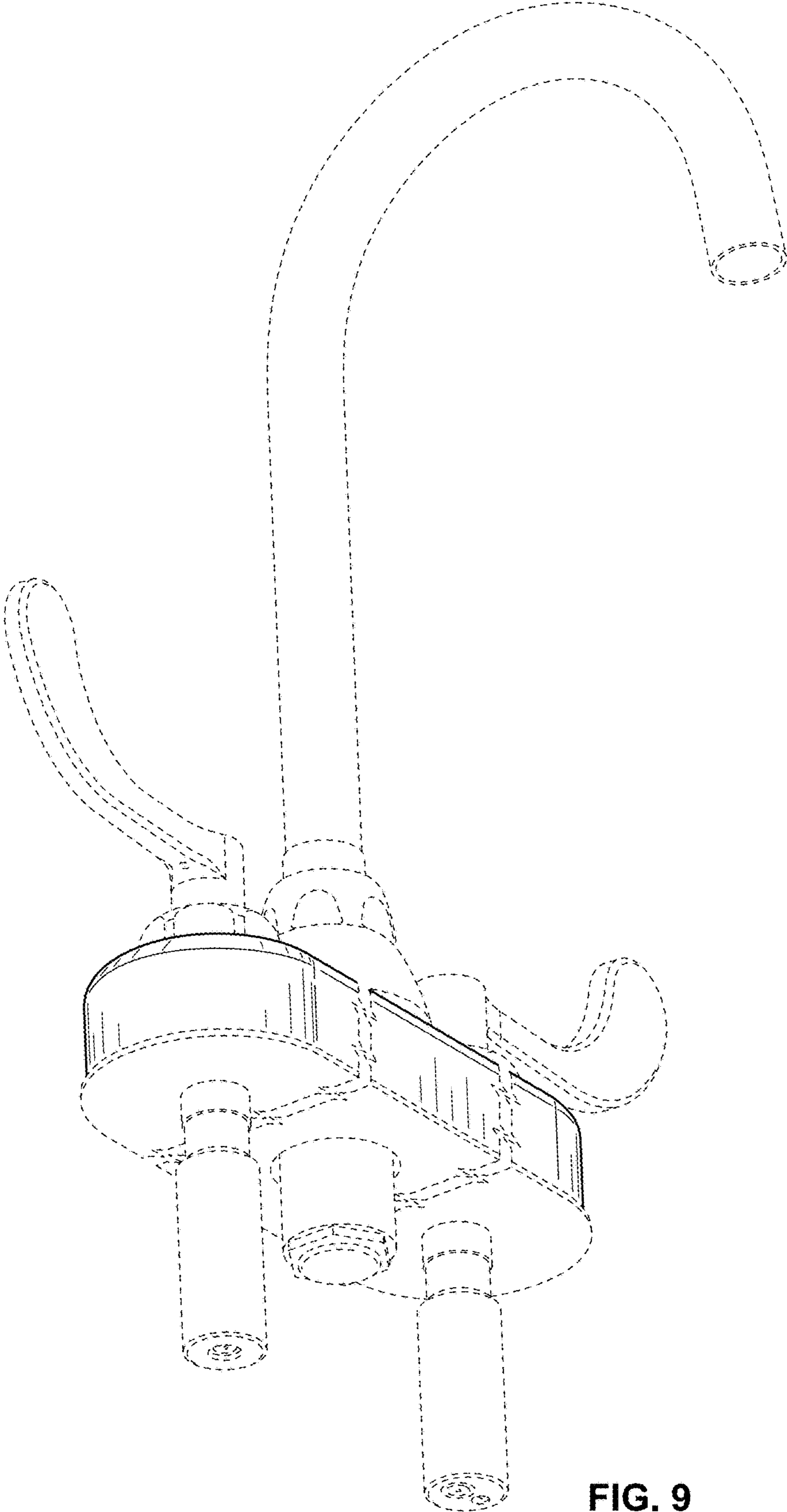


FIG. 9

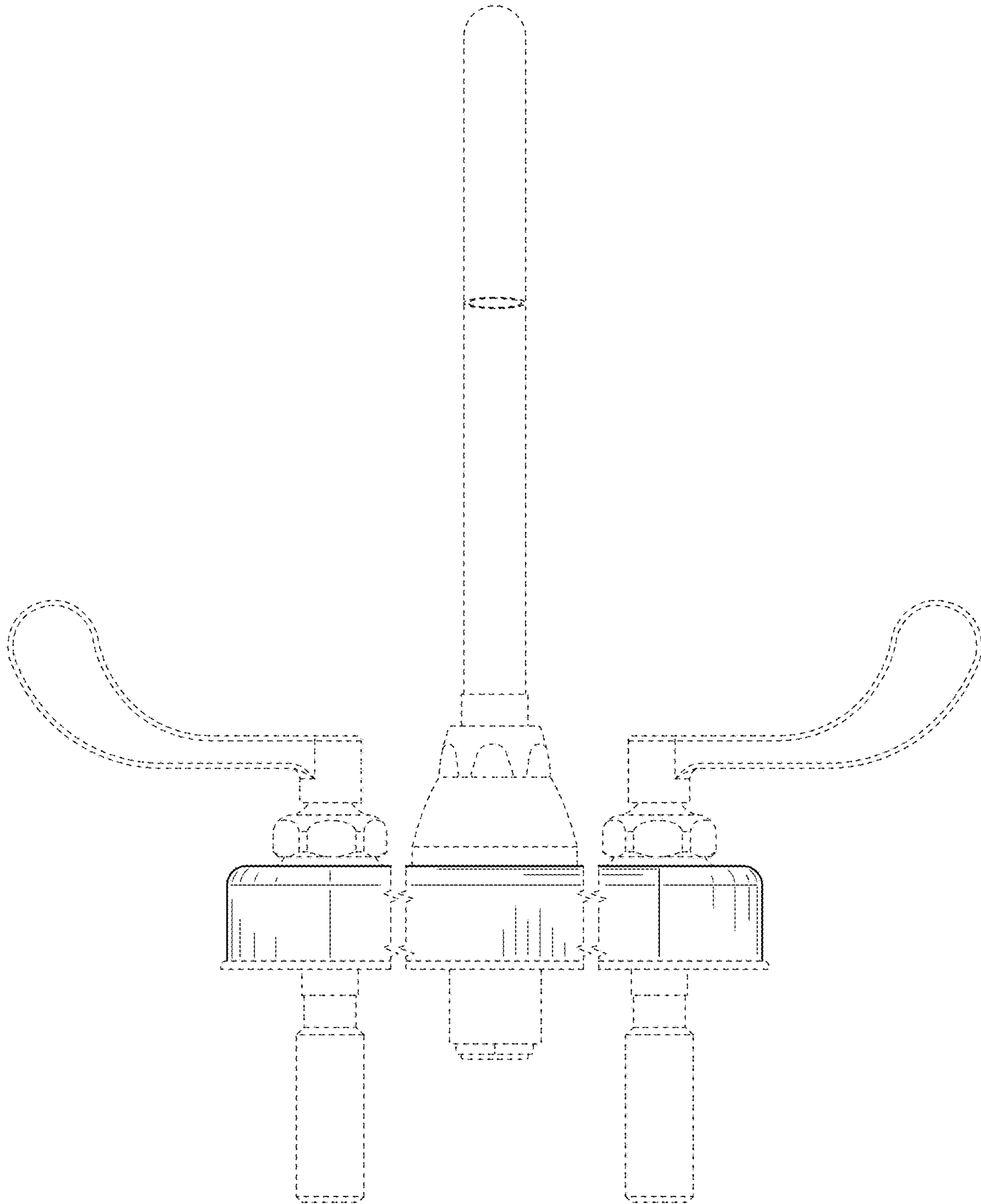


FIG. 10

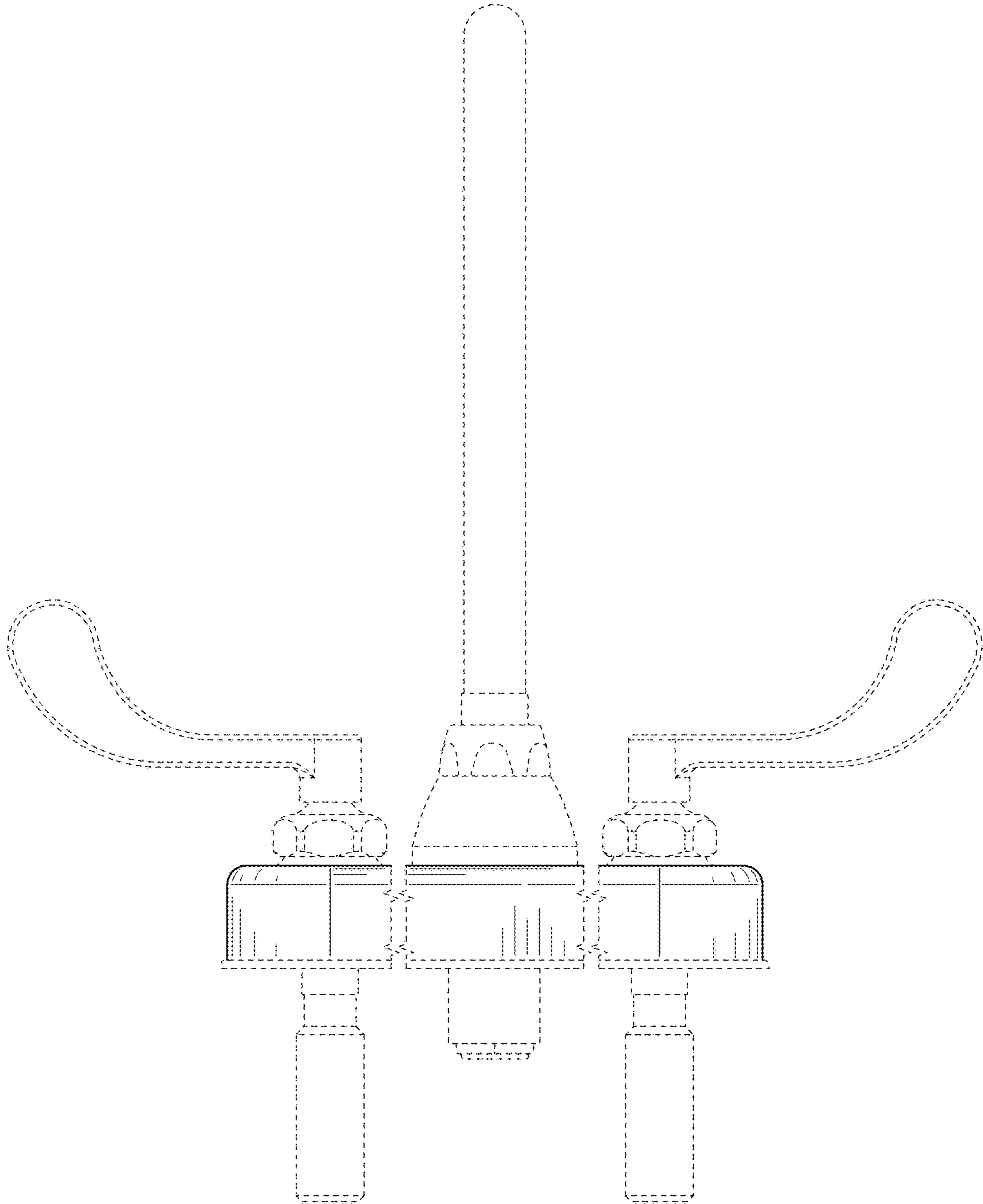


FIG. 11

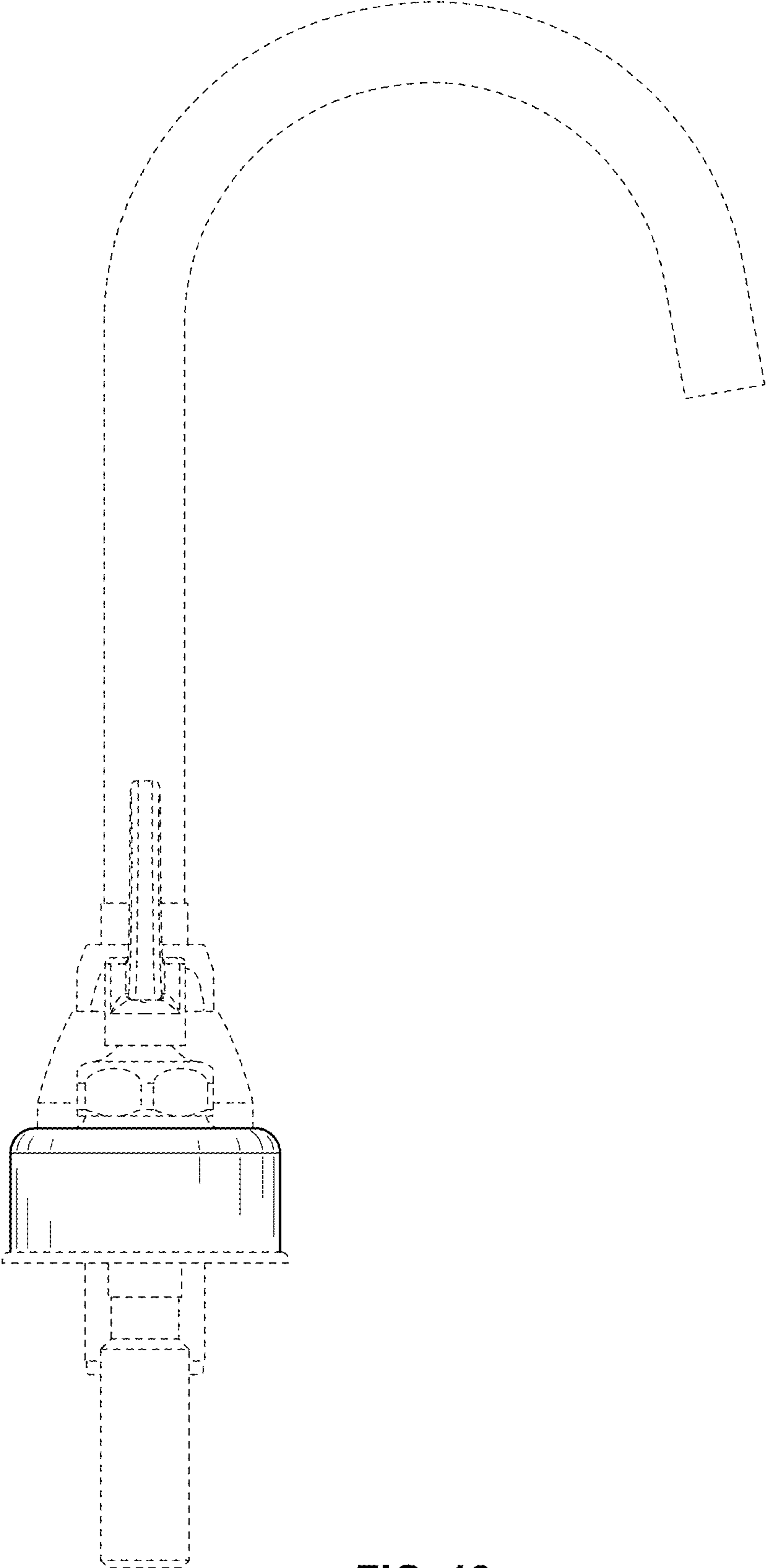


FIG. 12

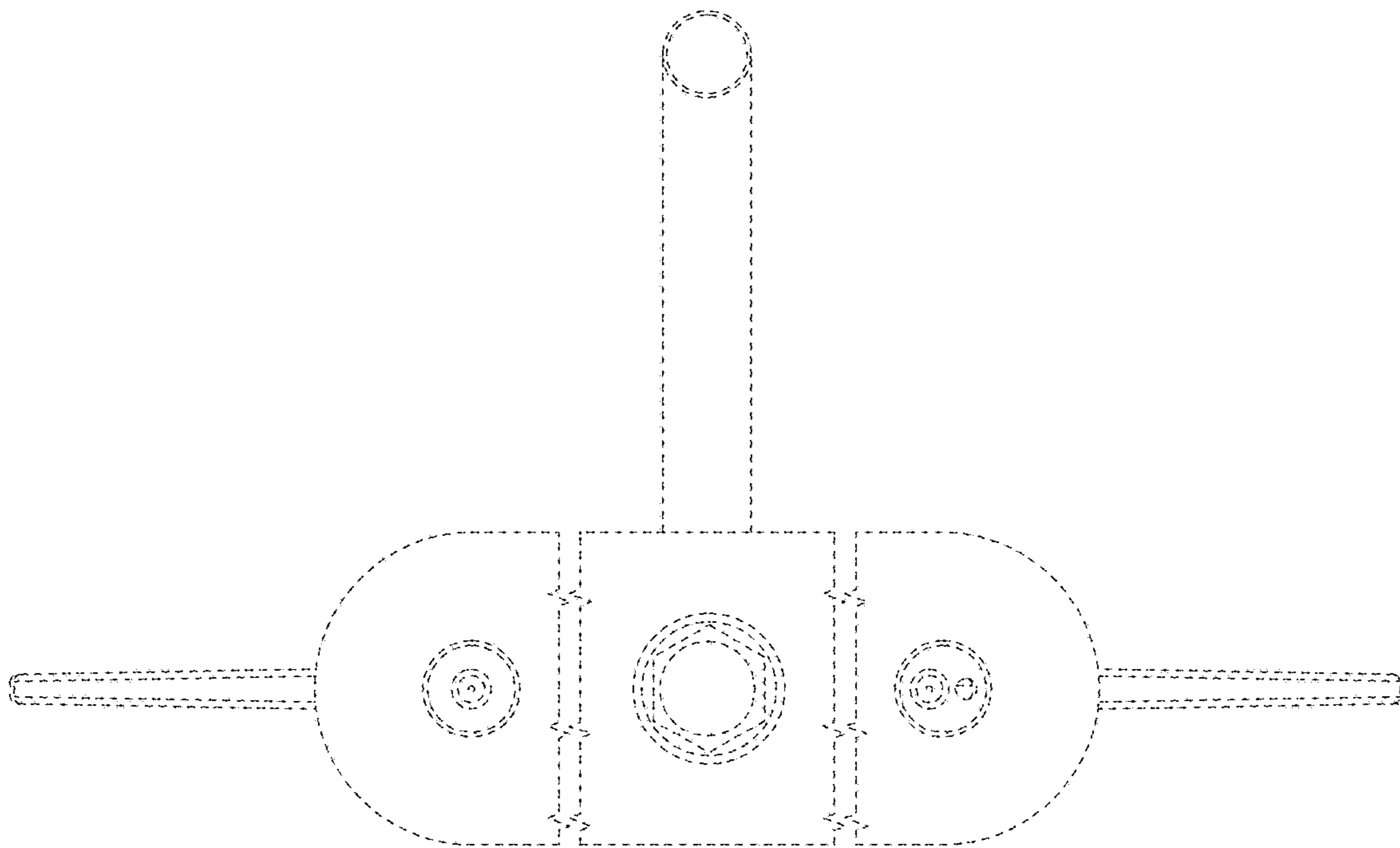


FIG. 13

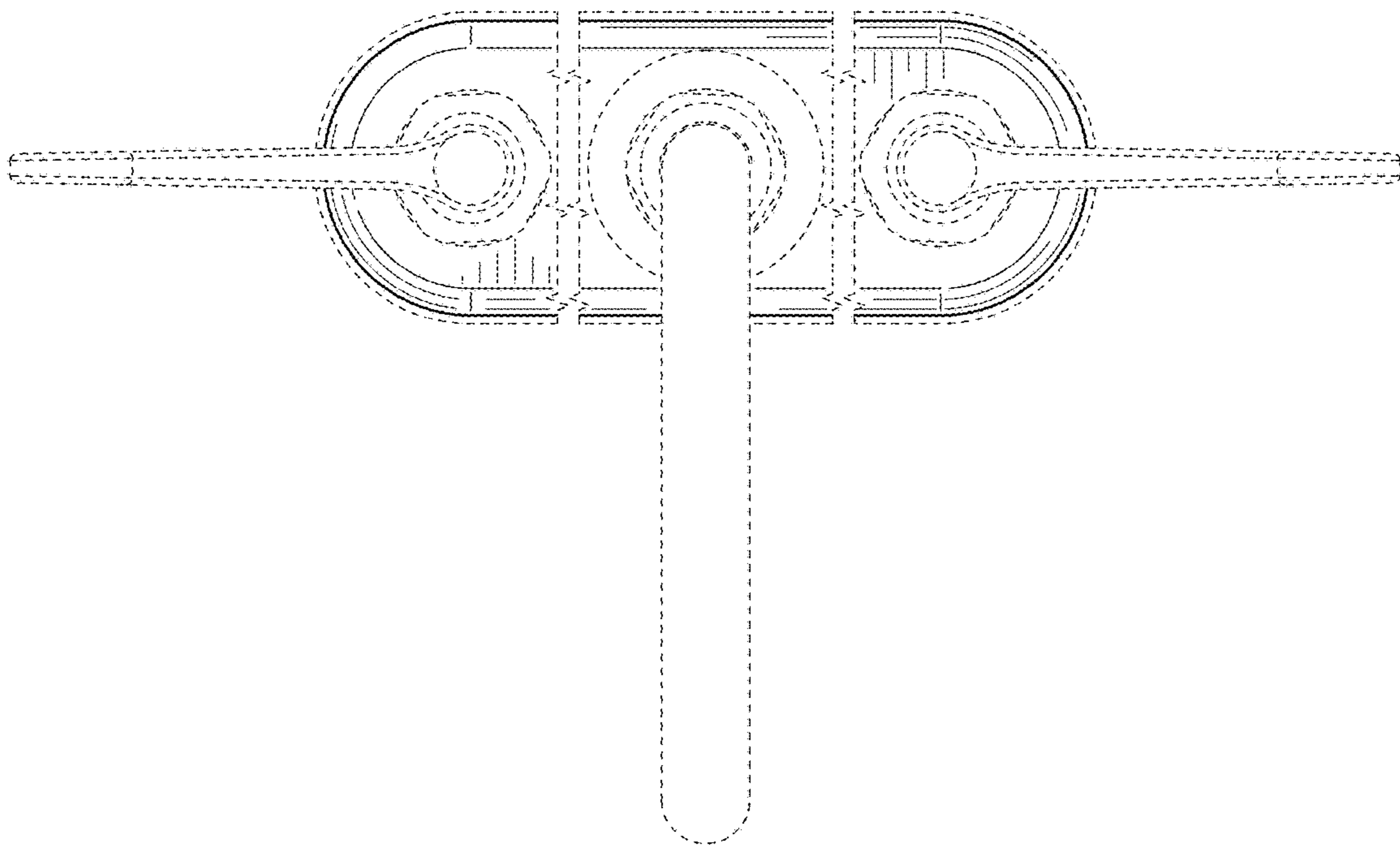


FIG. 14