



US00D794757S

(12) **United States Design Patent**
Kulig

(10) **Patent No.:** **US D794,757 S**

(45) **Date of Patent:** **** Aug. 15, 2017**

(54) **FAUCET**

D561,876 S * 2/2008 Krumpe D23/242
D645,944 S * 9/2011 Gilbert D23/255
D718,420 S * 11/2014 Rexach D23/238

(71) Applicant: **Graff Faucets**, Milwaukee, WI (US)

(72) Inventor: **Zbigniew Kulig**, Wadsworth, IL (US)

(73) Assignee: **Graff Faucets**, Milwaukee, WI (US)

(**) Term: **15 Years**

(21) Appl. No.: **29/554,423**

(22) Filed: **Feb. 11, 2016**

(51) **LOC (10) Cl.** **23-01**

(52) **U.S. Cl.**
USPC **D23/242**

(58) **Field of Classification Search**
USPC D23/238-243, 249-250, 252, 254-255,
D23/257
CPC . E03C 1/00; E03C 1/0404; E03C 1/02; E03C
1/021; E03C 1/0401; E03C 1/04; E03C
1/0402

See application file for complete search history.

(56) **References Cited**

U.S. PATENT DOCUMENTS

D371,956 S * 7/1996 Steffes D23/254
D510,979 S 10/2005 Kulig
D511,202 S 11/2005 Kulig
D517,648 S 3/2006 Kulig
D521,602 S * 5/2006 En-Min D23/241
D535,726 S * 1/2007 Koury D23/241

OTHER PUBLICATIONS

Graff Faucets, Single Handle Lavatory Faucets <http://www.graff-faucets.com/en/catalog/bathroom/?sez=bathroom&cll=%25&ctg=10&tpm=45&nst=%25&stl=%25&fns=%25>.

* cited by examiner

Primary Examiner — Robert Delehanty

(74) *Attorney, Agent, or Firm* — Boyle Fredrickson, S.C.

(57) **CLAIM**

The ornamental design for a faucet, as shown and described.

DESCRIPTION

FIG. 1 is a perspective view of a faucet incorporating my new design, viewed from in front of, above, and from the left side of the faucet;

FIG. 2 is a front elevation view thereof;

FIG. 3 is a rear elevation view thereof;

FIG. 4 is a left-side elevation view thereof;

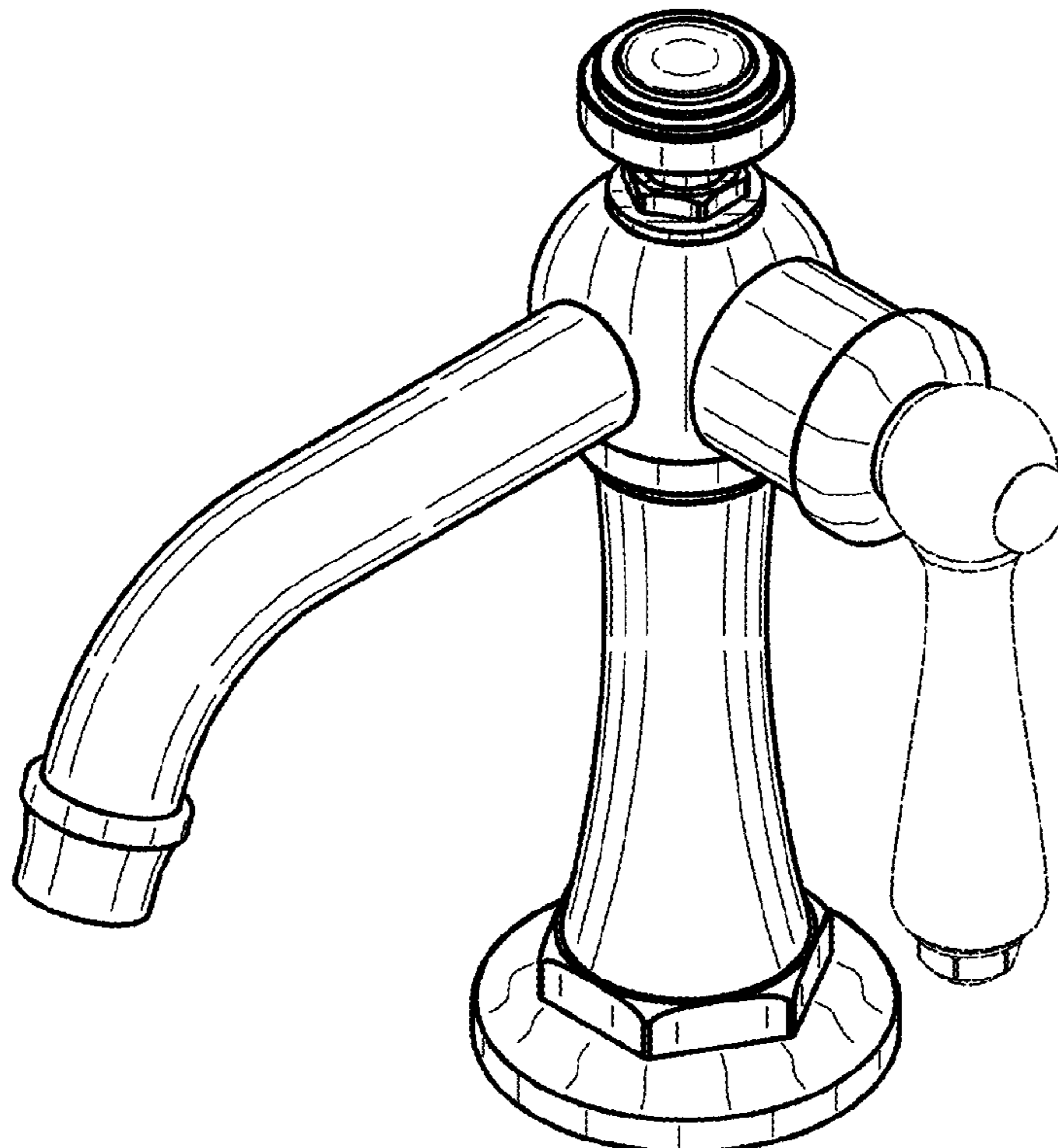
FIG. 5 is a right-side elevation view thereof;

FIG. 6 is a top plan view thereof; and,

FIG. 7 is a bottom plan view thereof.

The broken lines showing a handle are included for the purpose of illustrating a portion of the faucet that form no part of the claimed design.

1 Claim, 7 Drawing Sheets



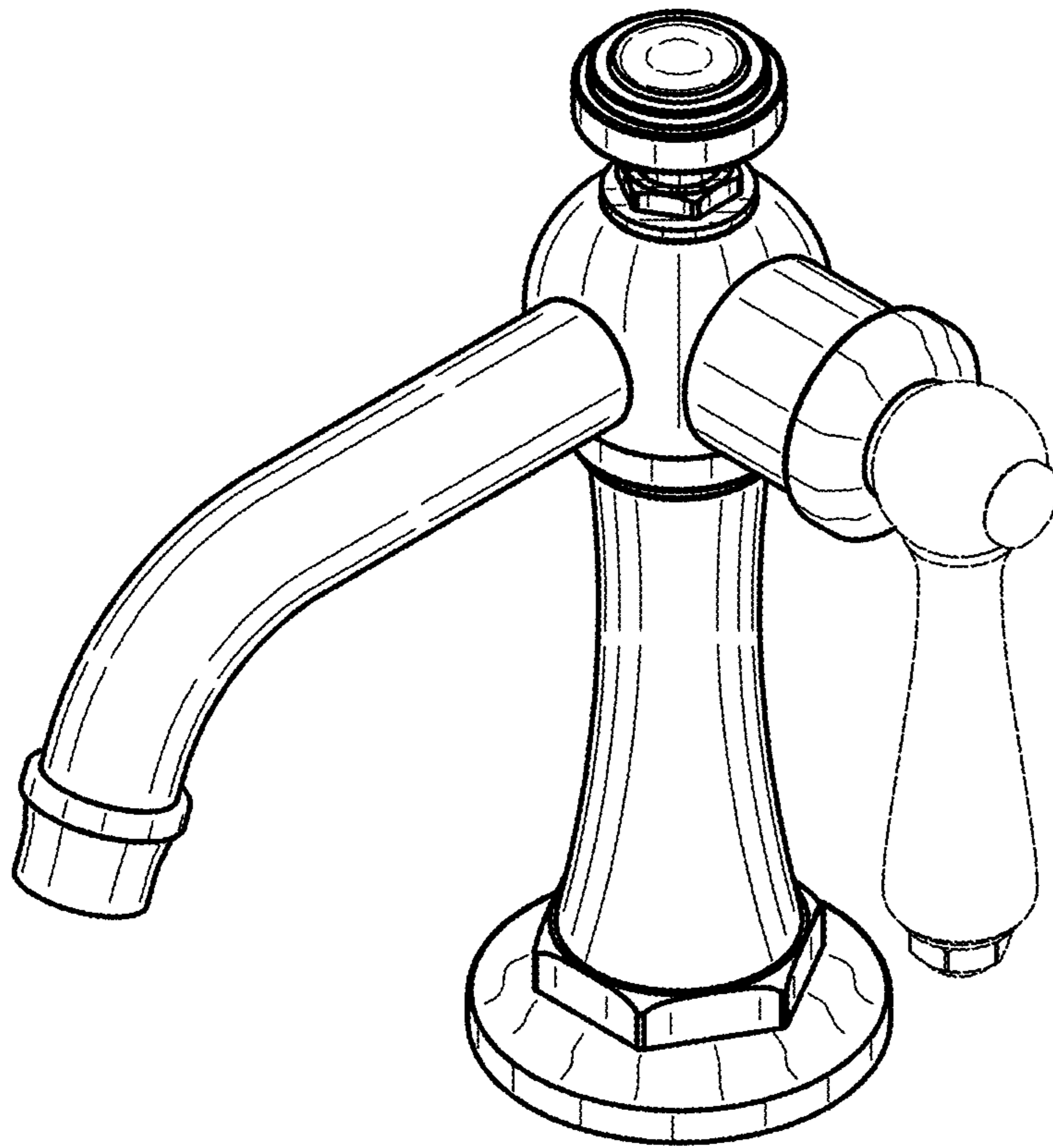


FIG. 1

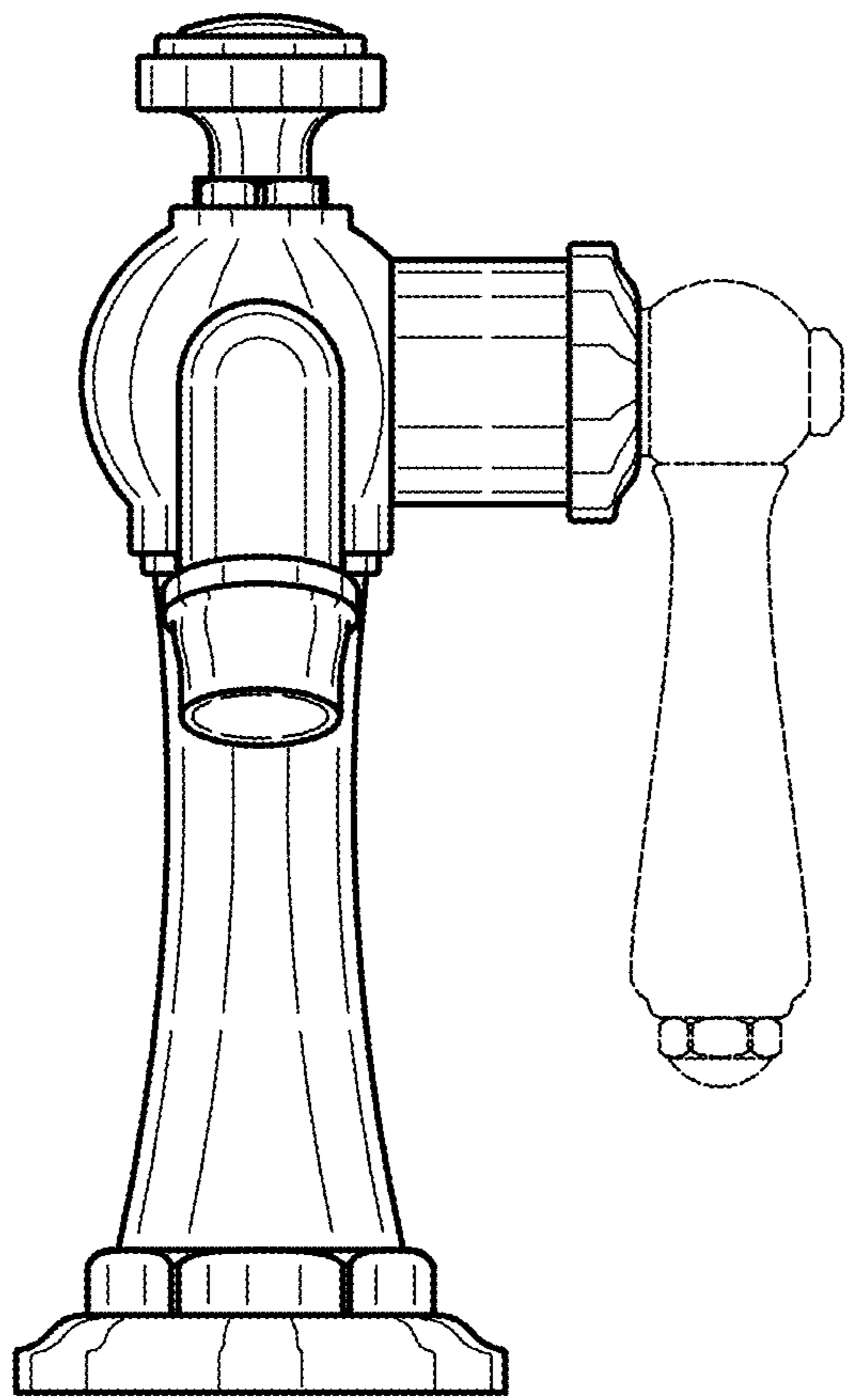


FIG. 2

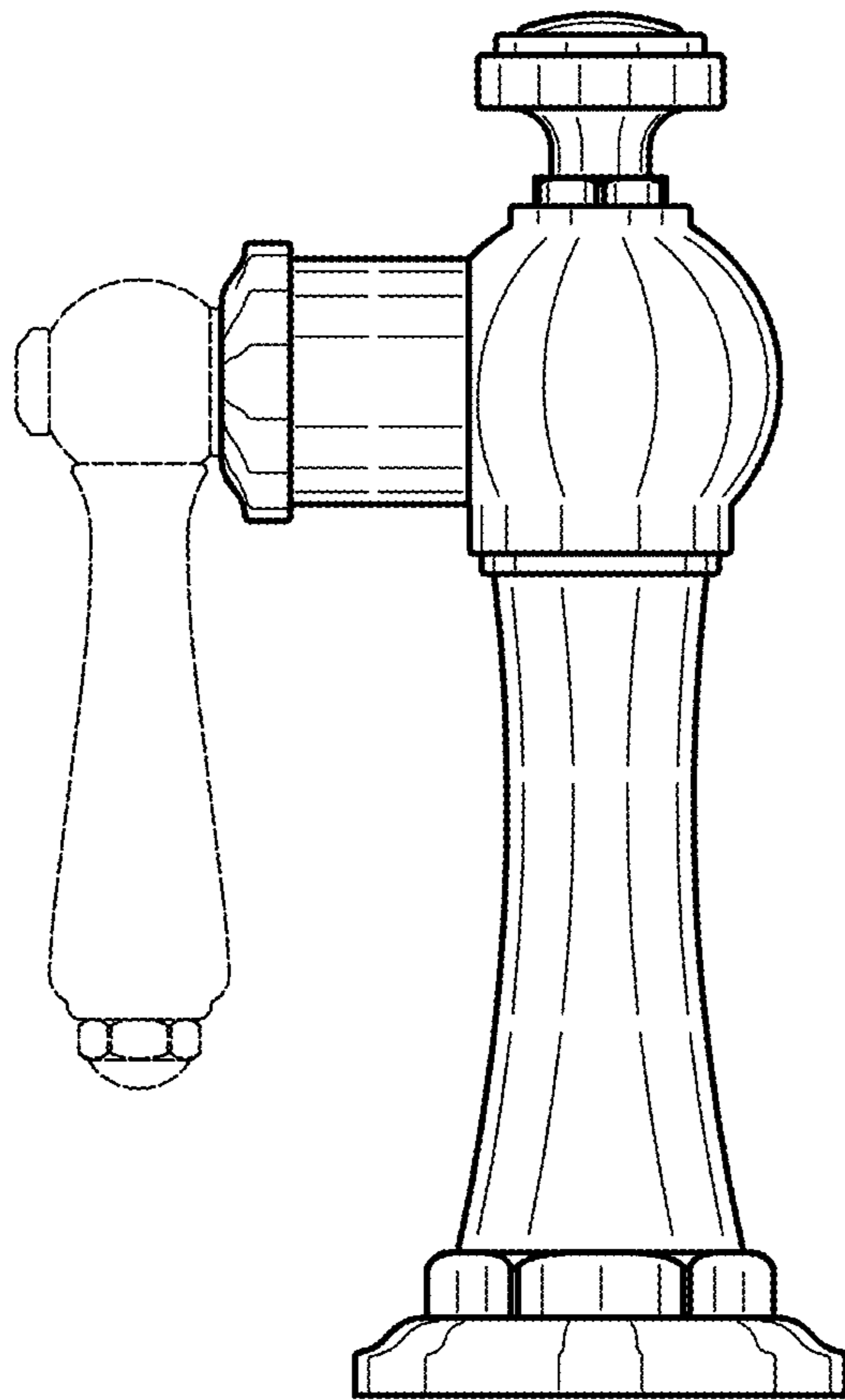


FIG. 3

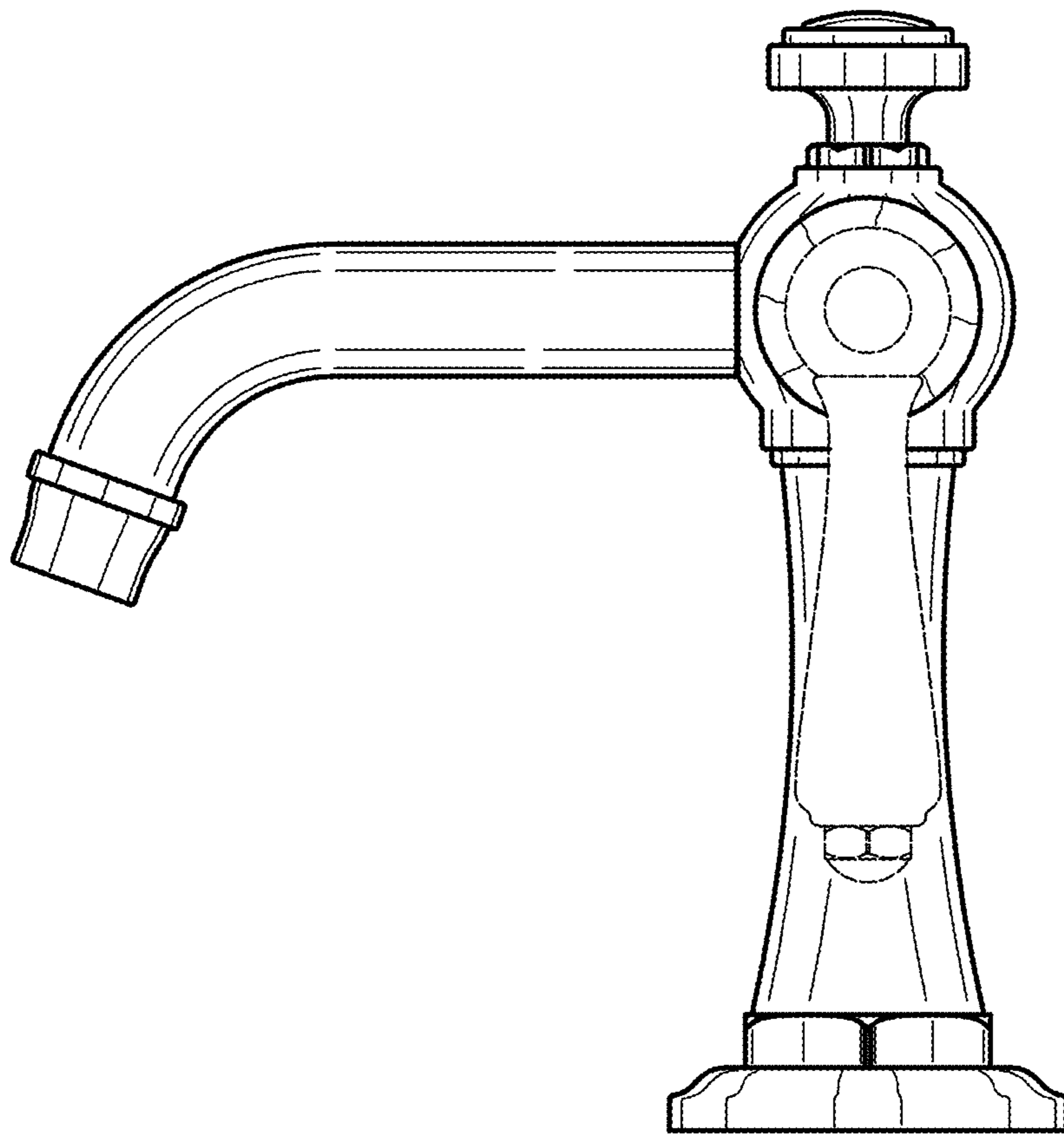


FIG. 4

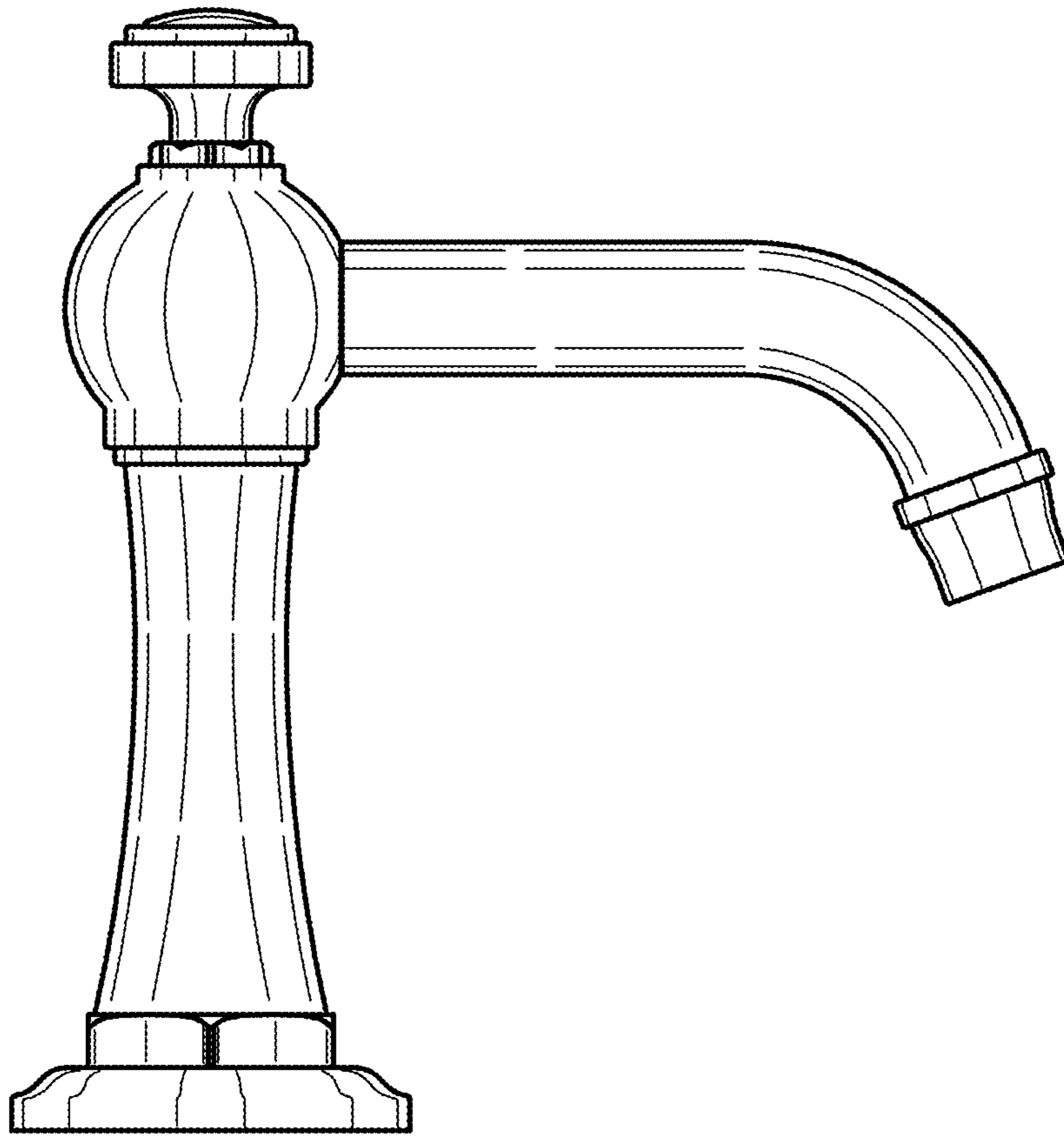


FIG. 5

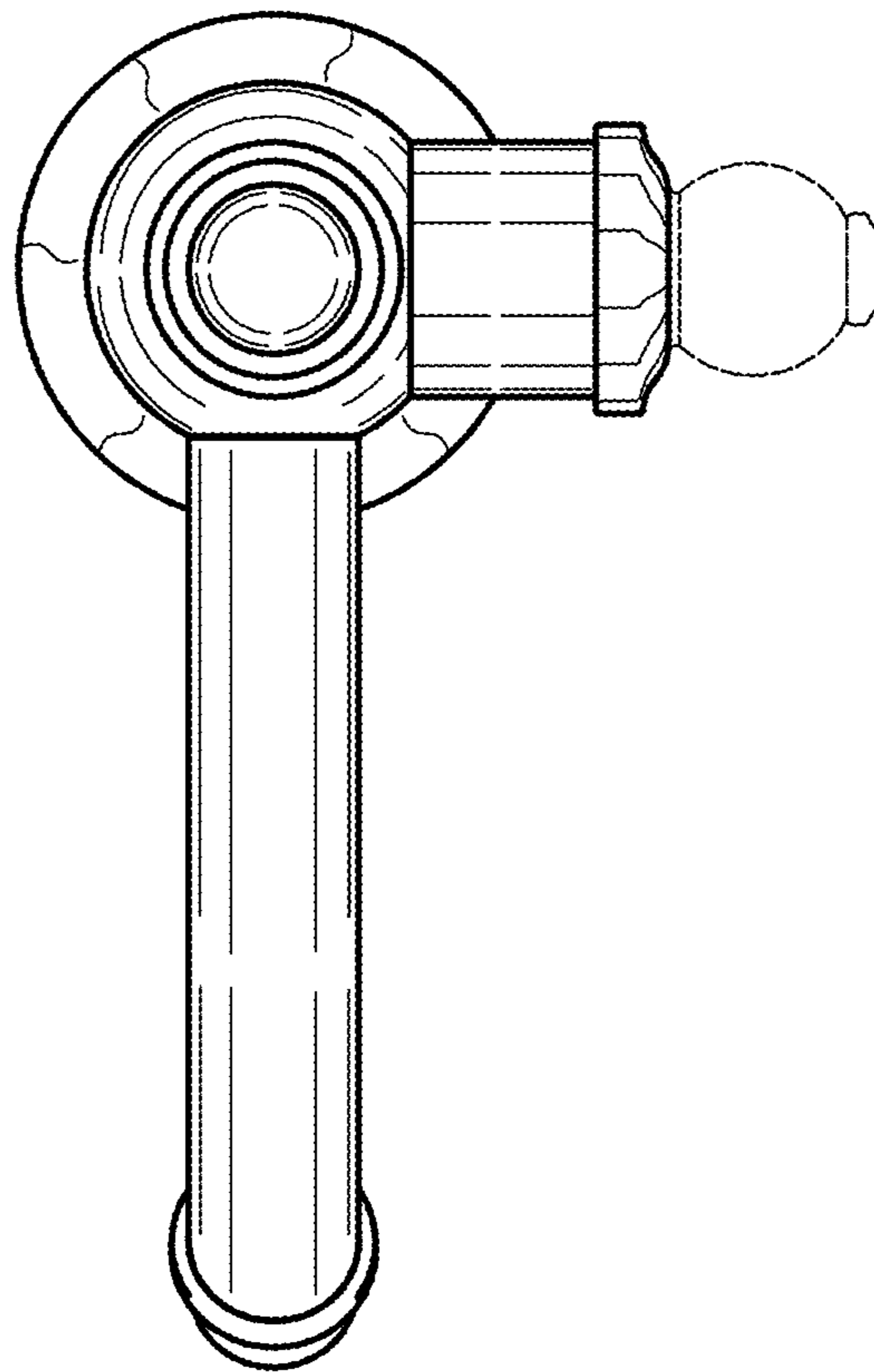


FIG. 6

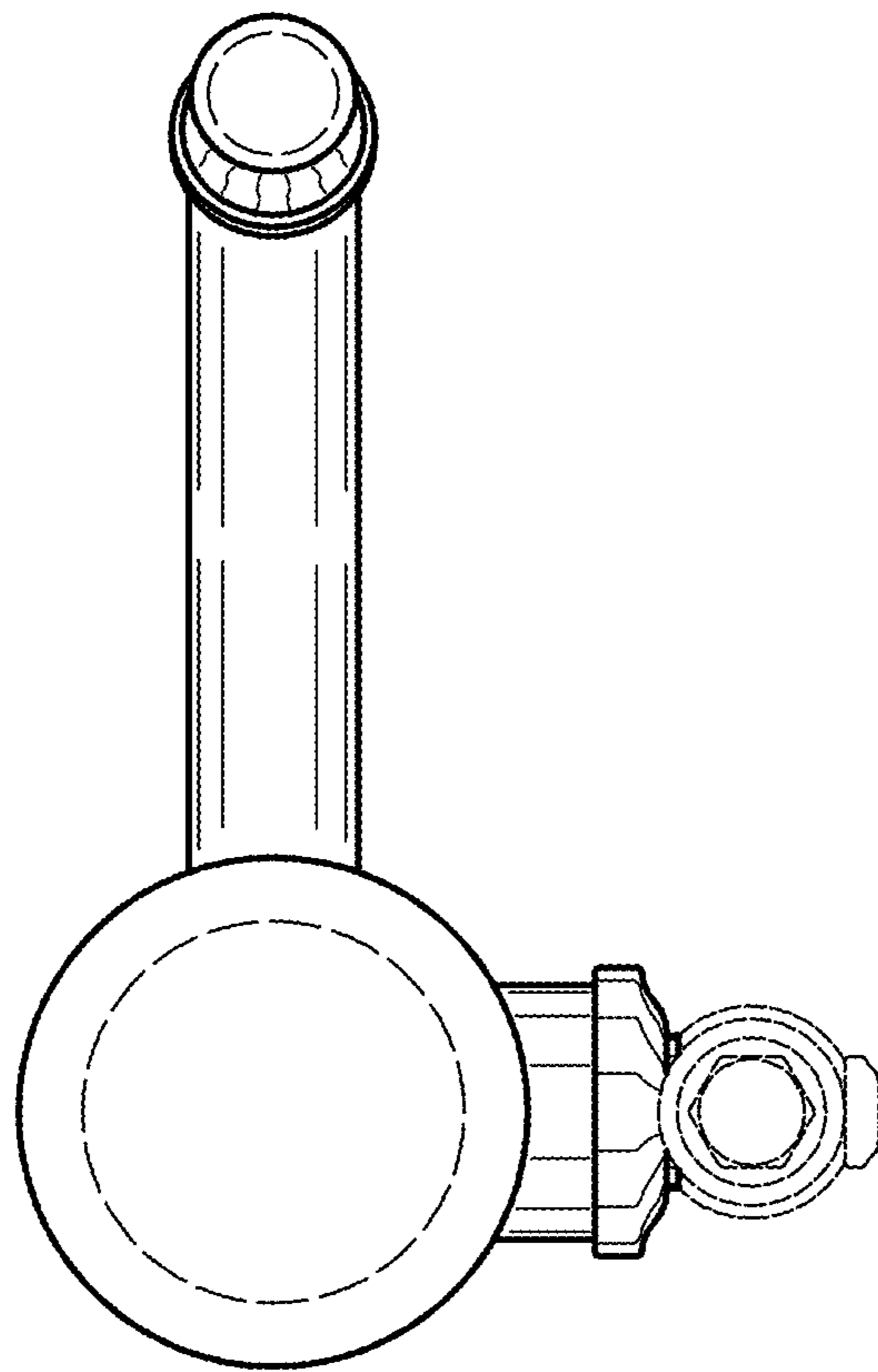


FIG. 7