



US00D794756S

(12) **United States Design Patent**  
**Wang**

(10) **Patent No.:** **US D794,756 S**

(45) **Date of Patent:** **\*\* Aug. 15, 2017**

(54) **PAINT SPRAY GUN**

(71) Applicant: **Hsing-Tzu Wang**, Taichung (TW)

(72) Inventor: **Hsing-Tzu Wang**, Taichung (TW)

(\*\*) Term: **15 Years**

(21) Appl. No.: **29/561,579**

(22) Filed: **Apr. 18, 2016**

(51) **LOC (10) Cl.** ..... **23-01**

(52) **U.S. Cl.**  
USPC ..... **D23/226**

(58) **Field of Classification Search**  
USPC ..... D23/213, 223, 226  
CPC ..... B05B 5/0533; B05B 5/1691; B05B 5/043;  
B05B 7/241; B05B 7/2408  
See application file for complete search history.

(56) **References Cited**

**U.S. PATENT DOCUMENTS**

D537,505 S \* 2/2007 Huang ..... D23/226  
D583,013 S \* 12/2008 Wang ..... D23/226  
D604,394 S \* 11/2009 Wang ..... D23/226

D641,067 S \* 7/2011 Wang ..... D23/226  
D644,716 S \* 9/2011 Gehrung ..... D23/226  
D689,593 S \* 9/2013 Schmon ..... D23/226  
D734,429 S \* 7/2015 Wang ..... D23/226  
D738,462 S \* 9/2015 Wang ..... D23/226  
D740,393 S \* 10/2015 Gehrung ..... D23/226  
D754,286 S \* 4/2016 Wang ..... D23/226  
D754,287 S \* 4/2016 Wang ..... D23/226  
D770,593 S \* 11/2016 Gehrung ..... D23/226

\* cited by examiner

*Primary Examiner* — Robin V Webster  
(74) *Attorney, Agent, or Firm* — LeClairRyan

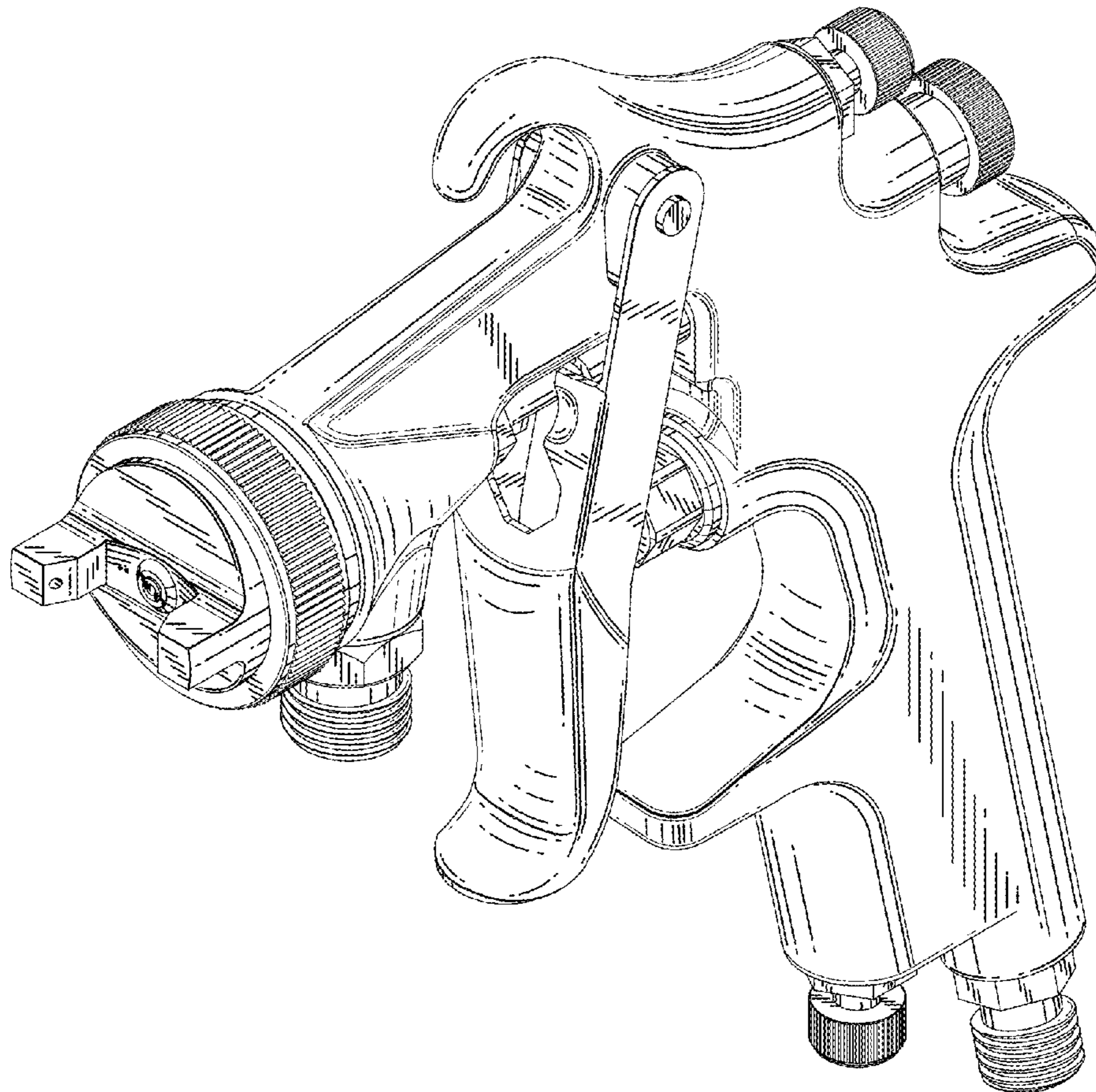
(57) **CLAIM**

The ornamental design for a paint spray gun, as shown and described.

**DESCRIPTION**

FIG. 1 is a perspective view of a paint spray gun showing my new design;  
FIG. 2 is a front elevational view thereof;  
FIG. 3 is a rear elevational view thereof;  
FIG. 4 is a left side elevational view thereof;  
FIG. 5 is a right side elevational view thereof;  
FIG. 6 is a top plan view thereof; and,  
FIG. 7 is a bottom plan view thereof.

**1 Claim, 7 Drawing Sheets**



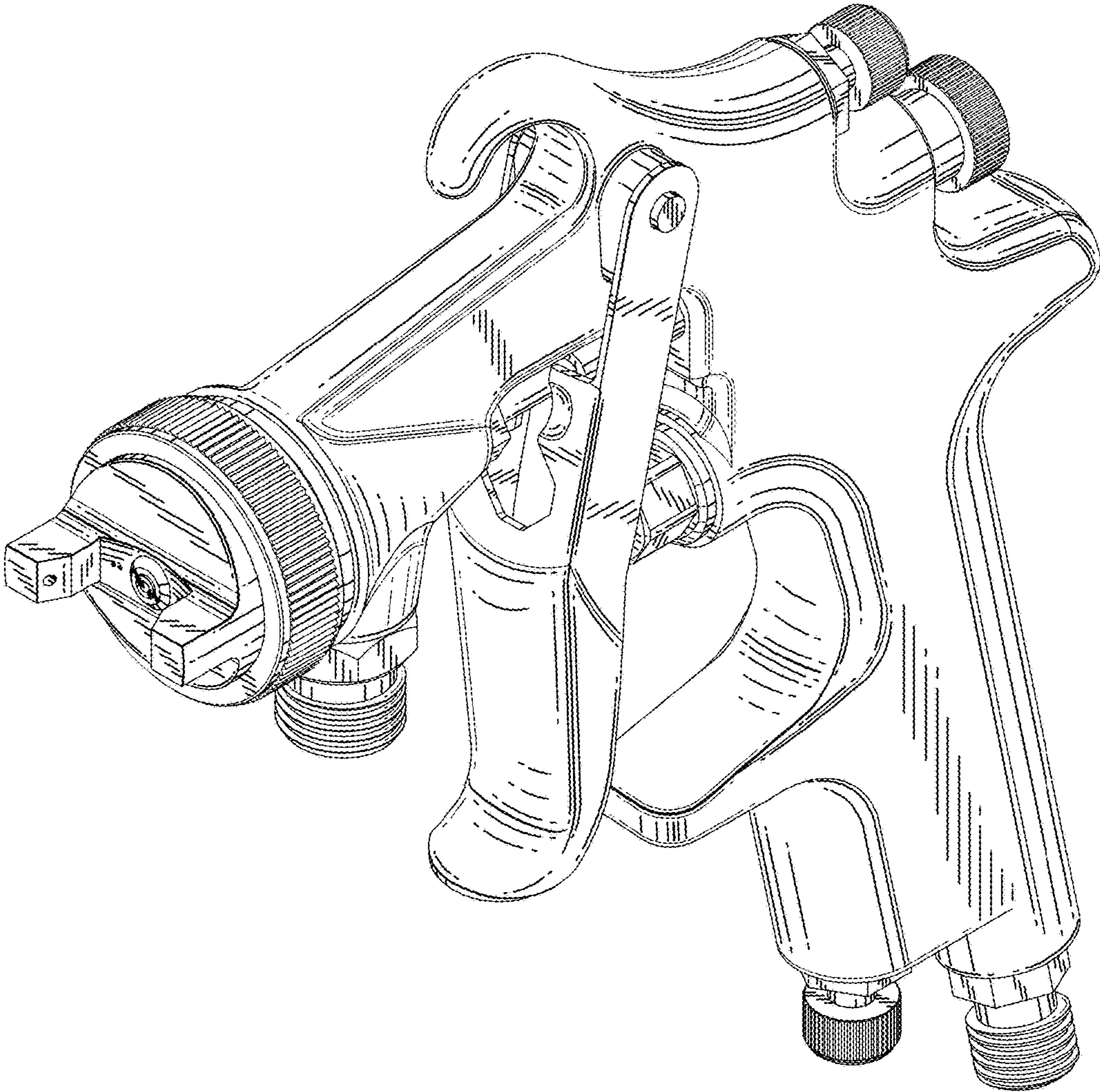


FIG.1

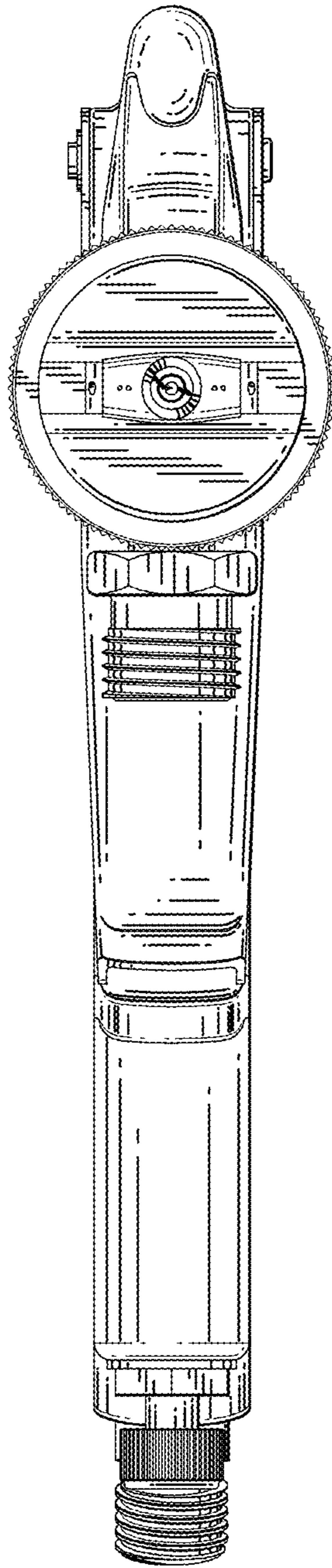


FIG.2



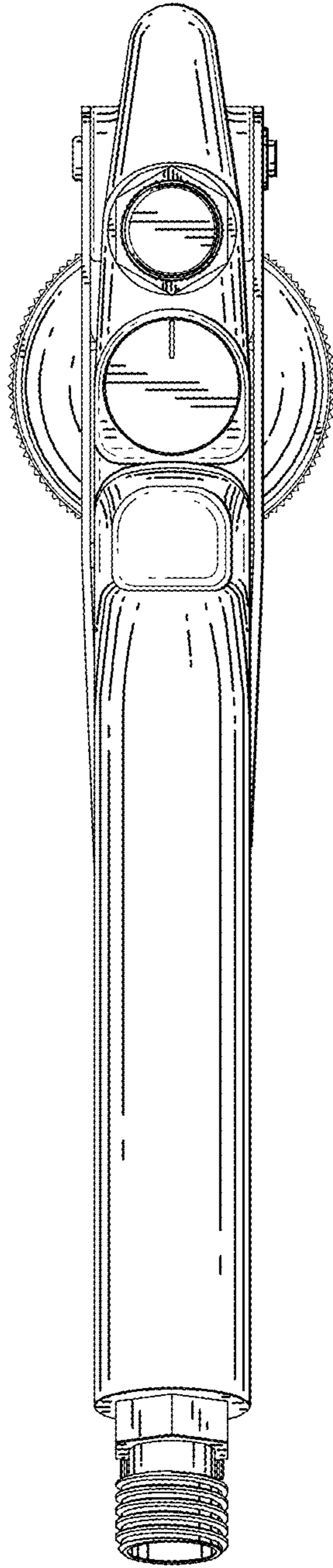


FIG.3

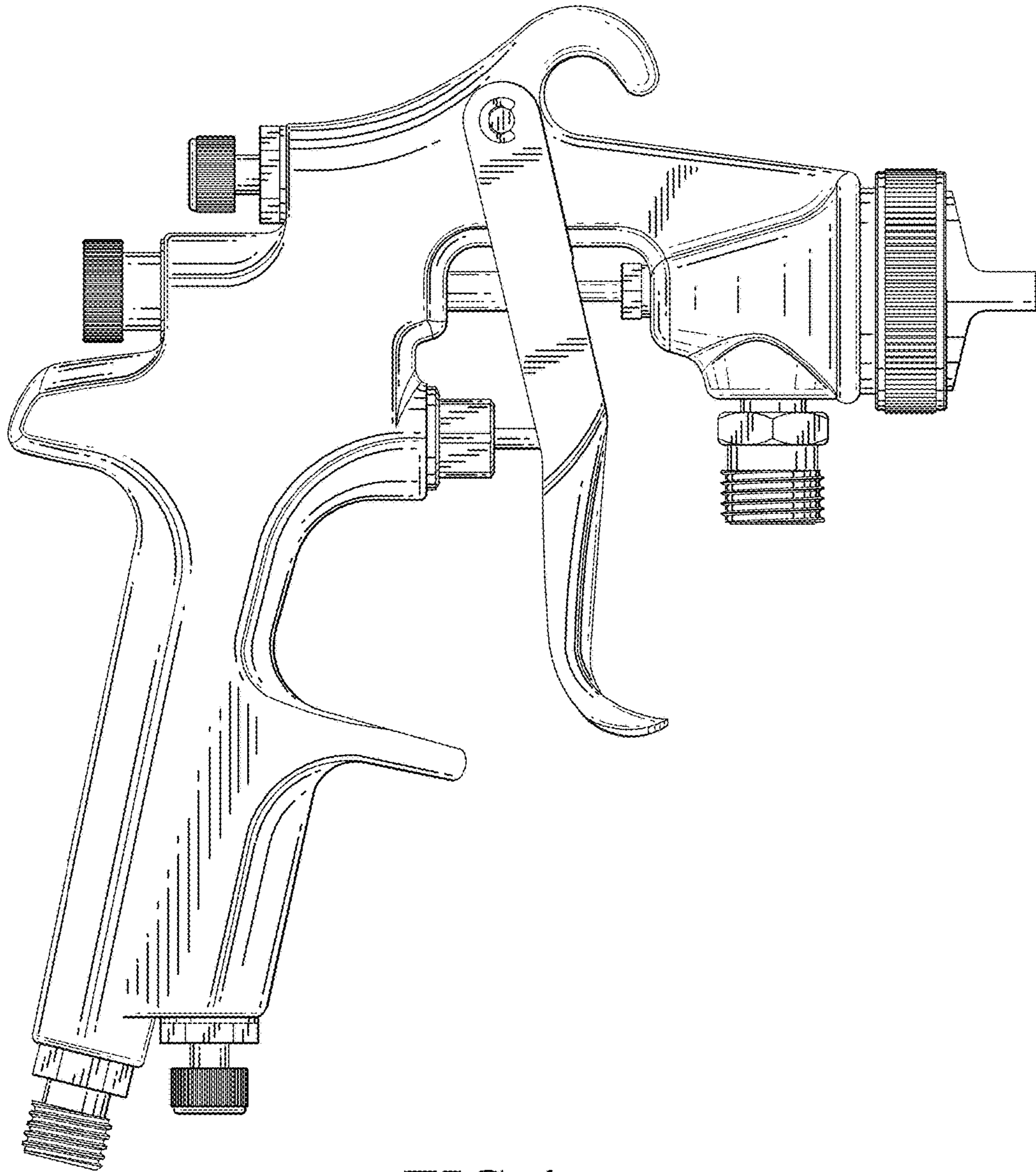


FIG.4



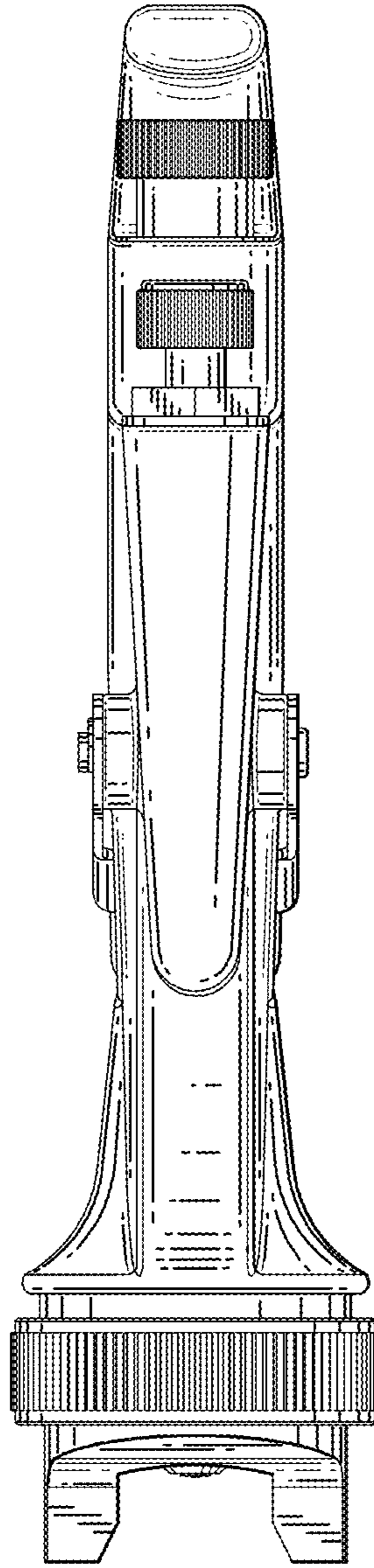


FIG. 6

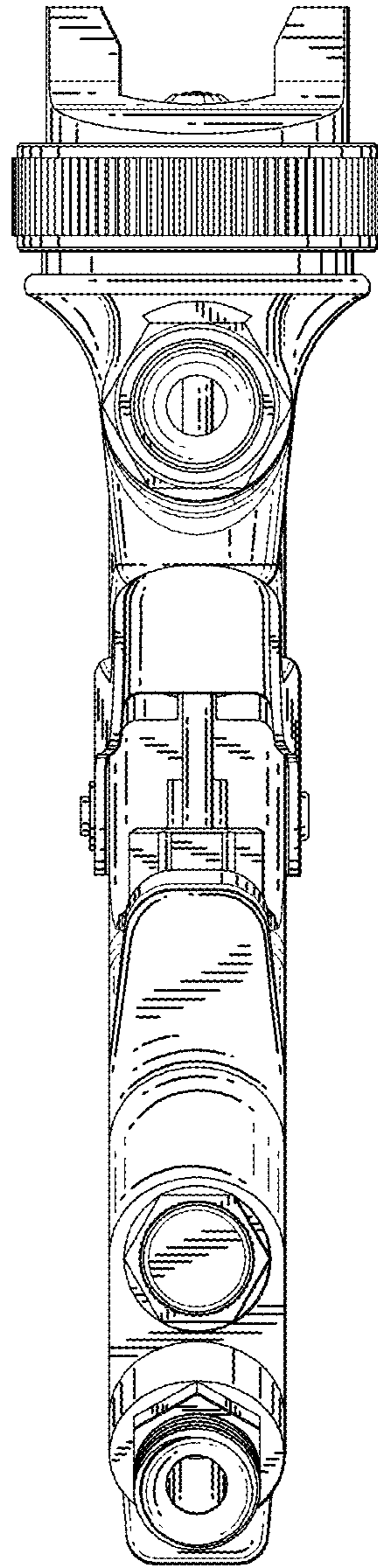


FIG. 7