



US00D794755S

(12) **United States Design Patent**
Wang

(10) **Patent No.:** **US D794,755 S**

(45) **Date of Patent:** **** Aug. 15, 2017**

(54) **PAINT SPRAY GUN**

(71) Applicant: **Hsing-Tzu Wang**, Taichung (TW)

(72) Inventor: **Hsing-Tzu Wang**, Taichung (TW)

(**) Term: **15 Years**

(21) Appl. No.: **29/561,574**

(22) Filed: **Apr. 18, 2016**

(51) **LOC (10) Cl.** **23-01**

(52) **U.S. Cl.**
USPC **D23/226**

(58) **Field of Classification Search**
USPC D23/213, 223, 226
CPC B05B 5/0533; B05B 5/1691; B05B 5/043;
B05B 7/241; B05B 7/2408
See application file for complete search history.

(56) **References Cited**

U.S. PATENT DOCUMENTS

D537,505 S * 2/2007 Huang D23/226
D583,013 S * 12/2008 Wang D23/226
D604,394 S * 11/2009 Wang D23/226

D641,067 S * 7/2011 Wang D23/226
D644,716 S * 9/2011 Gehrung D23/226
D689,593 S * 9/2013 Schmon D23/226
D734,429 S * 7/2015 Wang D23/226
D738,462 S * 9/2015 Wang D23/226
D740,393 S * 10/2015 Gehrung D23/226
D754,286 S * 4/2016 Wang D23/226
D754,287 S * 4/2016 Wang D23/226
D770,593 S * 11/2016 Gehrung D23/226

* cited by examiner

Primary Examiner — Robin V Webster

(74) *Attorney, Agent, or Firm* — LeClairRyan

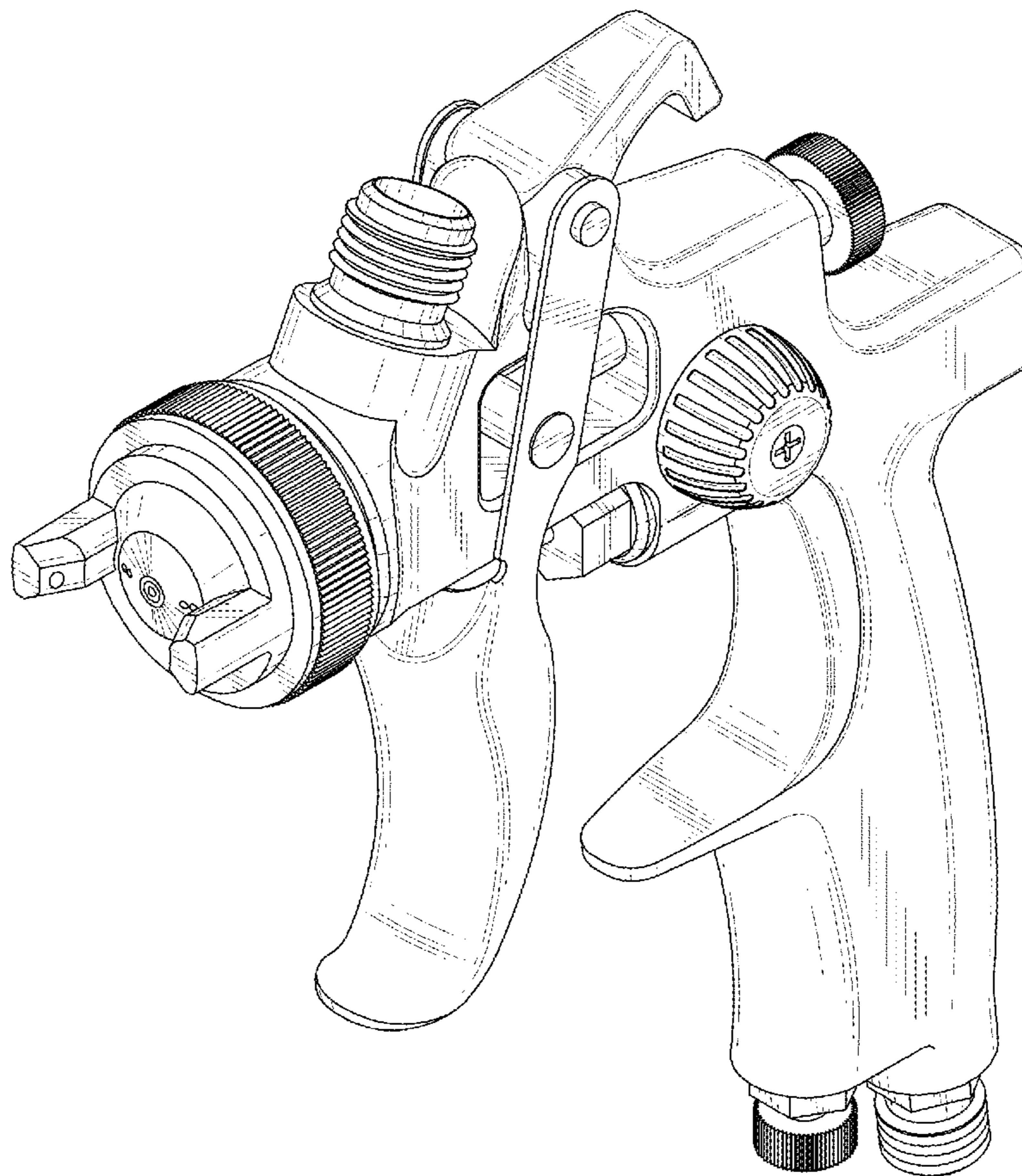
(57) **CLAIM**

The ornamental design for a paint spray gun, as shown and described.

DESCRIPTION

FIG. 1 is a perspective view of a paint spray gun showing my new design;
FIG. 2 is a front elevational view thereof;
FIG. 3 is a rear elevational view thereof;
FIG. 4 is a left side elevational view thereof;
FIG. 5 is a right side elevational view thereof;
FIG. 6 is a top plan view thereof; and,
FIG. 7 is a bottom plan view thereof.

1 Claim, 7 Drawing Sheets



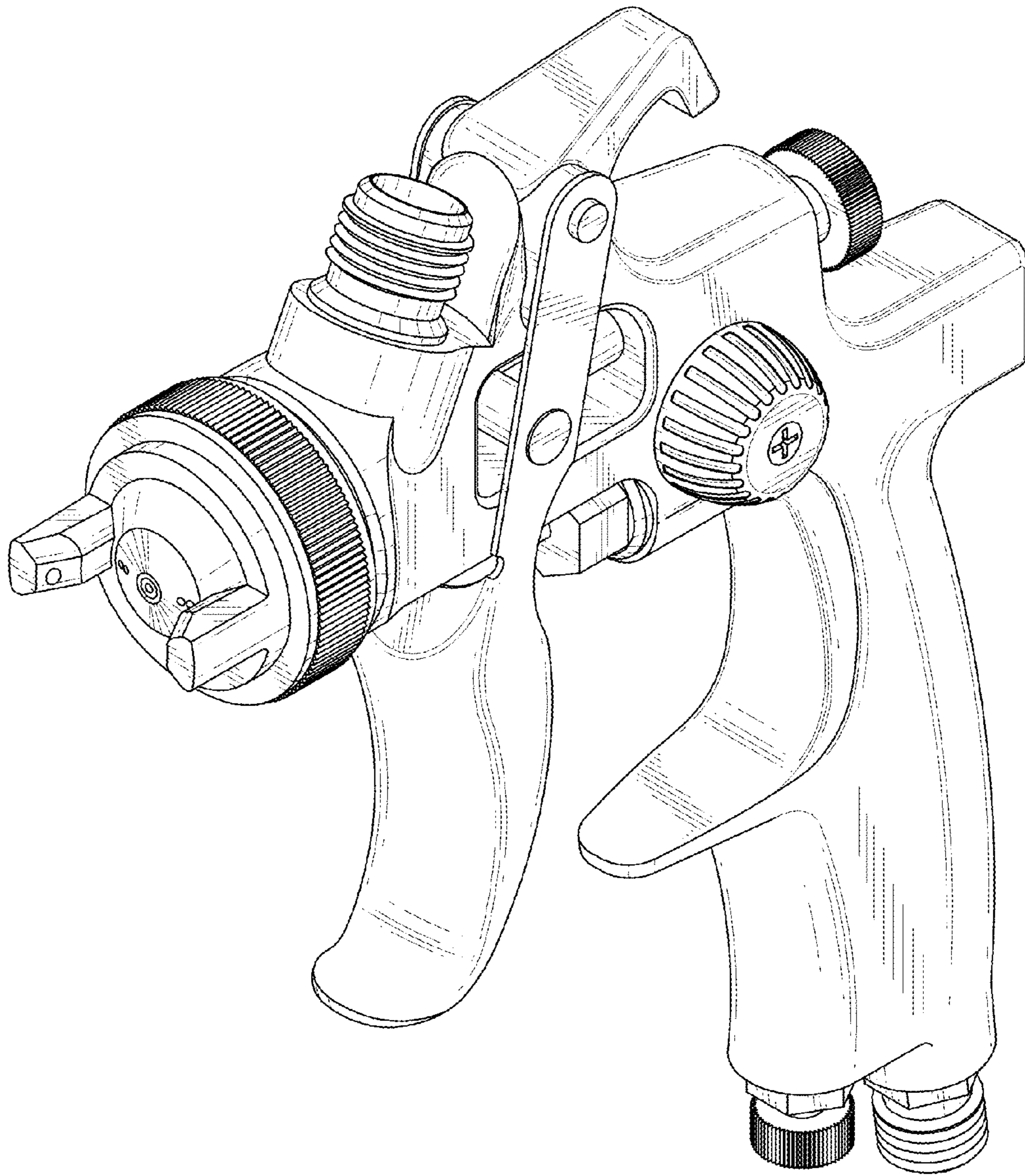


FIG.1

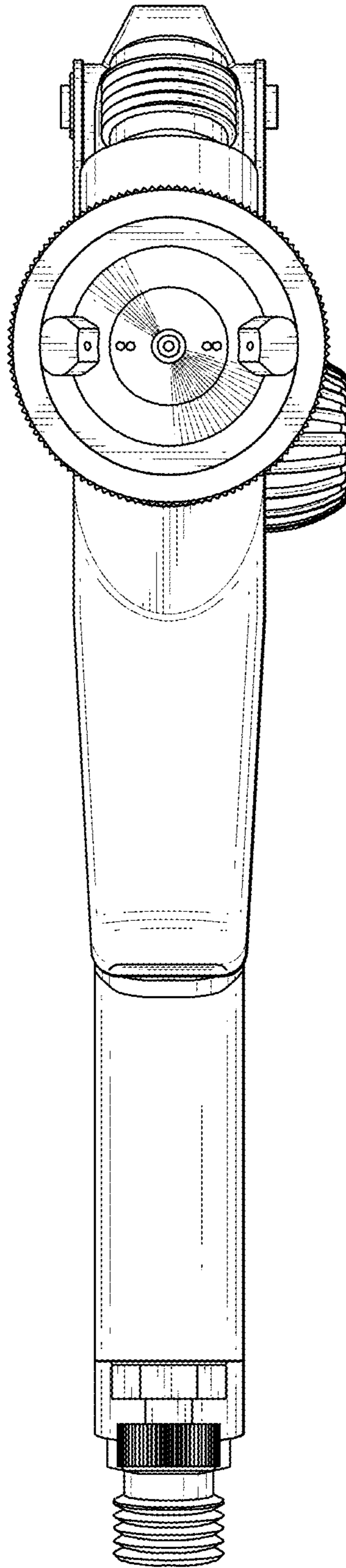


FIG.2

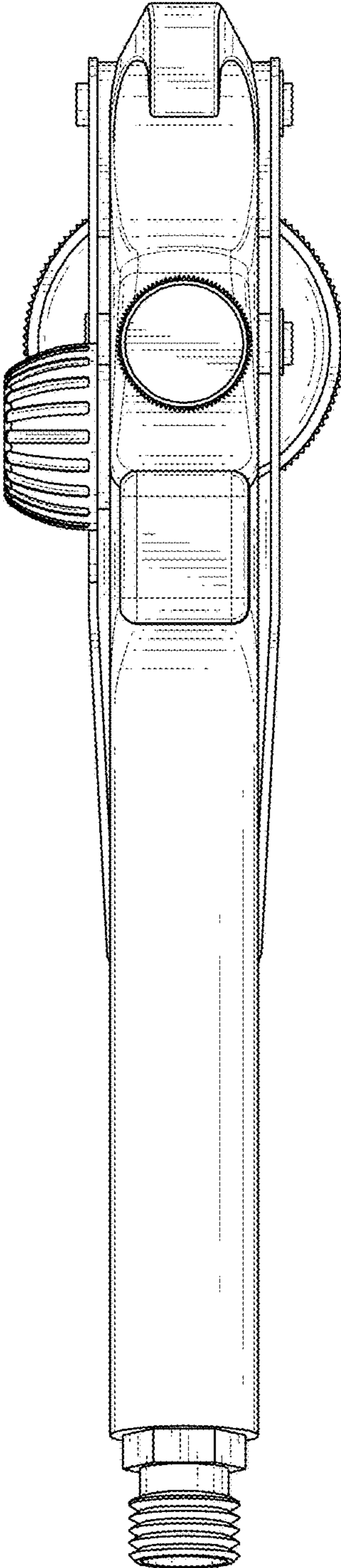


FIG.3

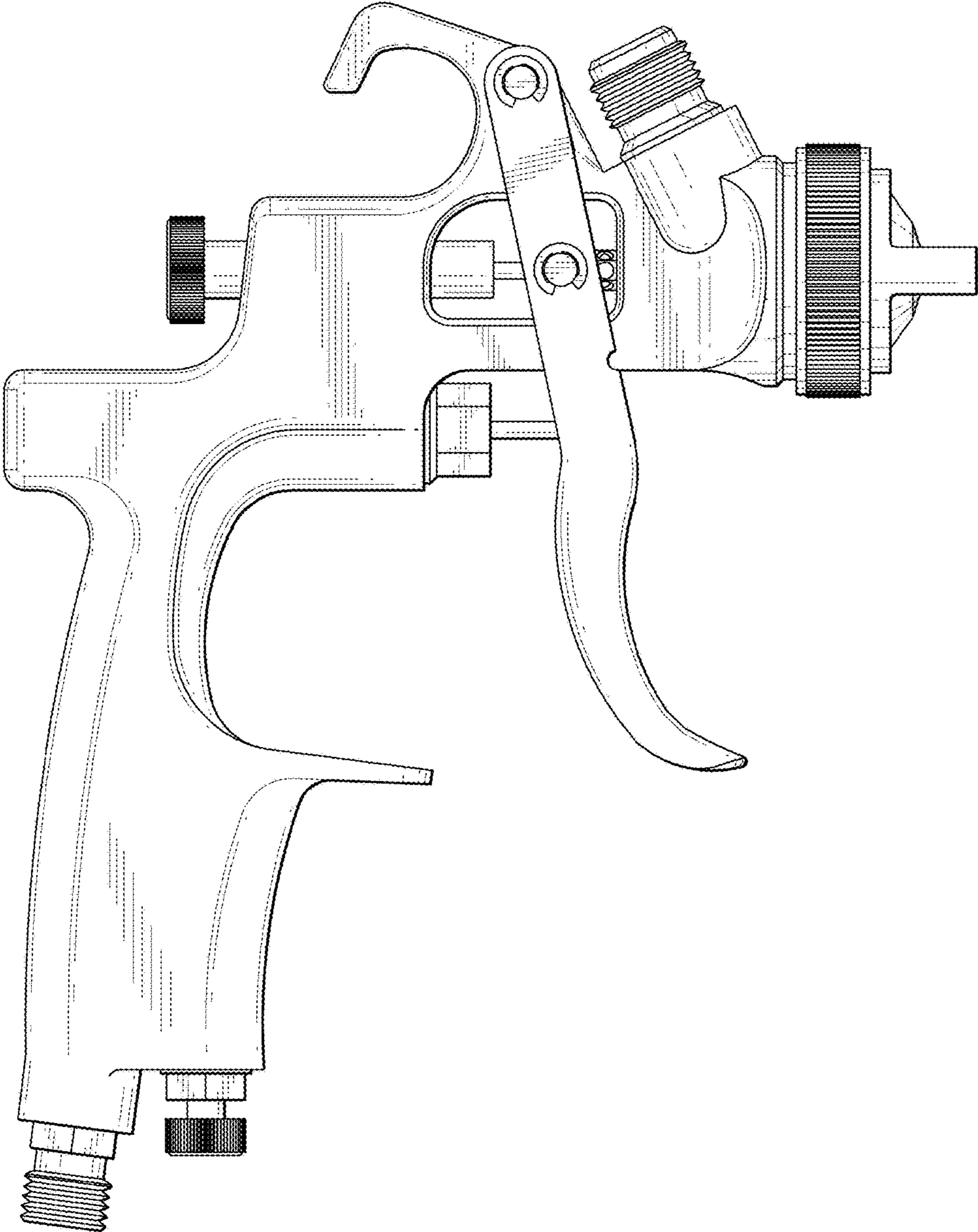


FIG.4

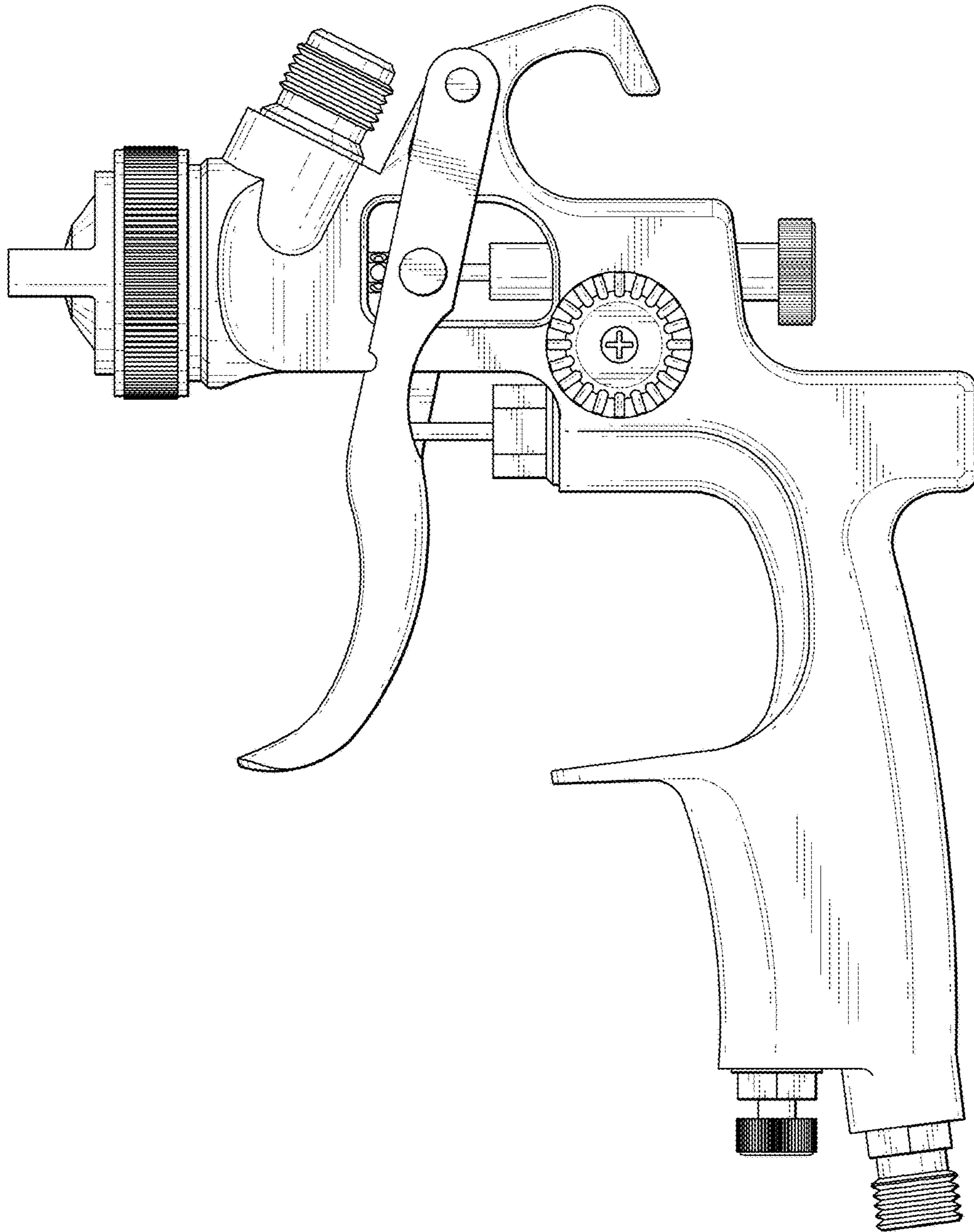


FIG.5

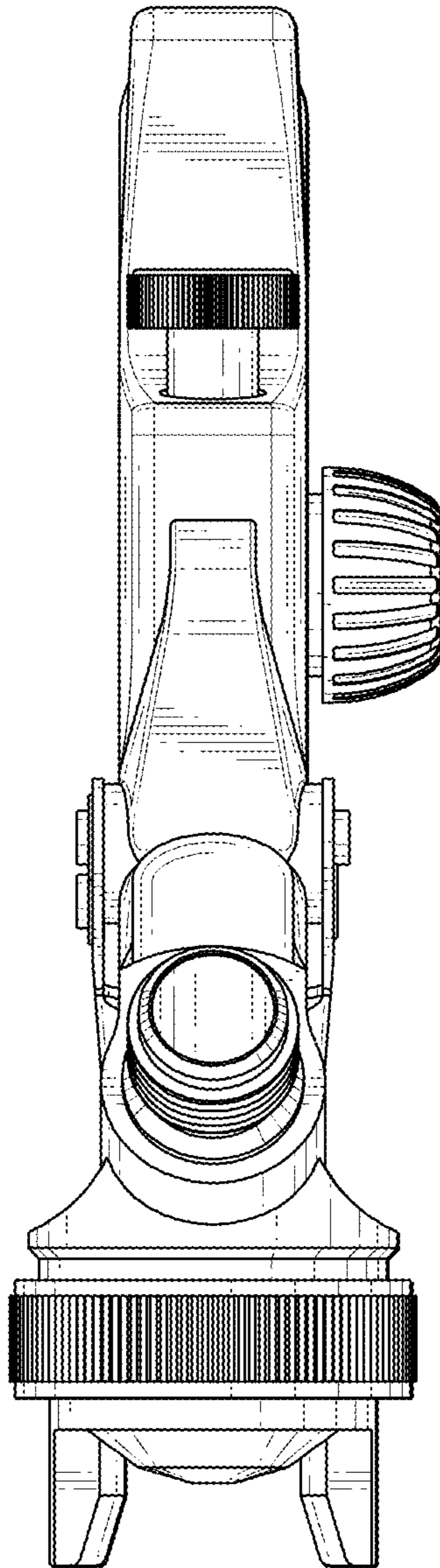


FIG. 6

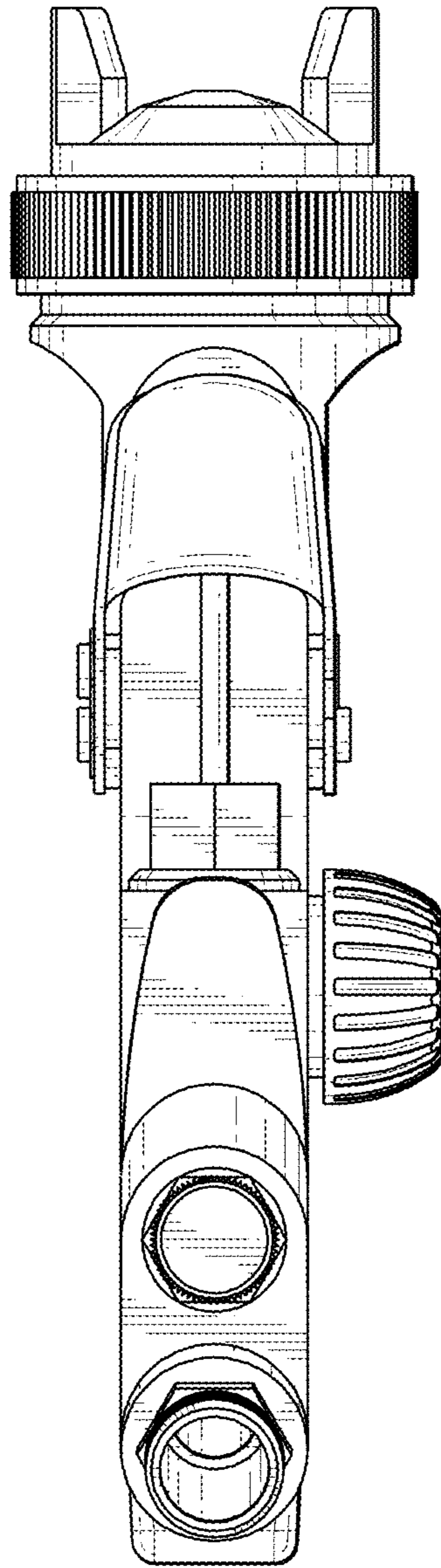


FIG. 7