



US00D794752S

(12) **United States Design Patent** (10) **Patent No.:** **US D794,752 S**  
**Kruse** (45) **Date of Patent:** **\*\* Aug. 15, 2017**

(54) **FILTER SYSTEM WITH TIMESTRIP**

(71) Applicant: **SATA GmbH & Co. KG,**  
Kornwestheim (DE)

(72) Inventor: **Albrecht Kruse,** Stuttgart (DE)

(73) Assignee: **SATA GmbH & Co. KG,**  
Kornwestheim (DE)

(\*\*) Term: **15 Years**

(21) Appl. No.: **29/579,493**

(22) Filed: **Sep. 30, 2016**

**Related U.S. Application Data**

(62) Division of application No. 29/515,496, filed on Jan. 23, 2015, now Pat. No. Des. 768,812.

**Foreign Application Priority Data**

Jul. 25, 2014 (CN) ..... 2014 3 0256332

(51) **LOC (10) Cl.** ..... **23-01**

(52) **U.S. Cl.**  
USPC ..... **D23/209**

(58) **Field of Classification Search**

USPC ..... D23/207, 209; 210/340, 341, 234  
CPC ..... B01D 35/12  
See application file for complete search history.

(56) **References Cited**

**U.S. PATENT DOCUMENTS**

3,598,243 A 8/1971 Gutkowski  
4,192,750 A 3/1980 Elfes et al.

4,615,800 A	10/1986	Stifelman et al.
D306,754 S	3/1990	Petrucci
5,876,610 A	3/1999	Clack et al.
D454,615 S	3/2002	Neal
7,232,253 B2	6/2007	Isbitsky et al.
D547,826 S	7/2007	Kennedy
D621,001 S	8/2010	Maziel
7,909,999 B2	3/2011	Noh et al.
8,365,924 B2	2/2013	Sokolchik et al.
8,524,079 B1	9/2013	Tseng
2004/0240324 A1	12/2004	Isbitsky et al.
2016/0023152 A1	1/2016	Kruse

**FOREIGN PATENT DOCUMENTS**

EP	1405145	4/2004
WO	03/007088	1/2003

*Primary Examiner* — Robin V Webster

(74) *Attorney, Agent, or Firm* — Paul D. Bianco; Lourdes Perez; Fleit Gibbons Gutman Bongini & Bianco PL

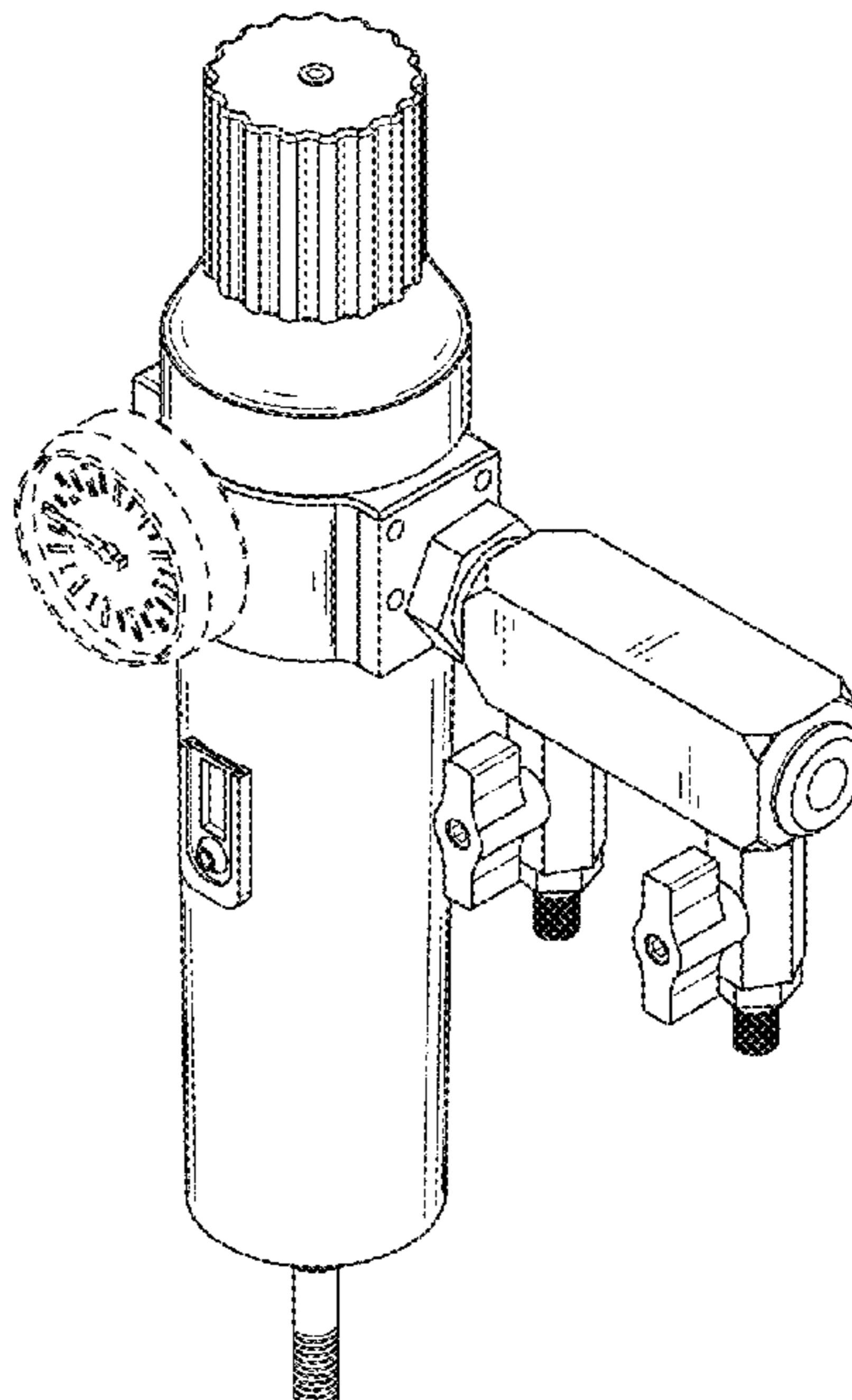
(57) **CLAIM**

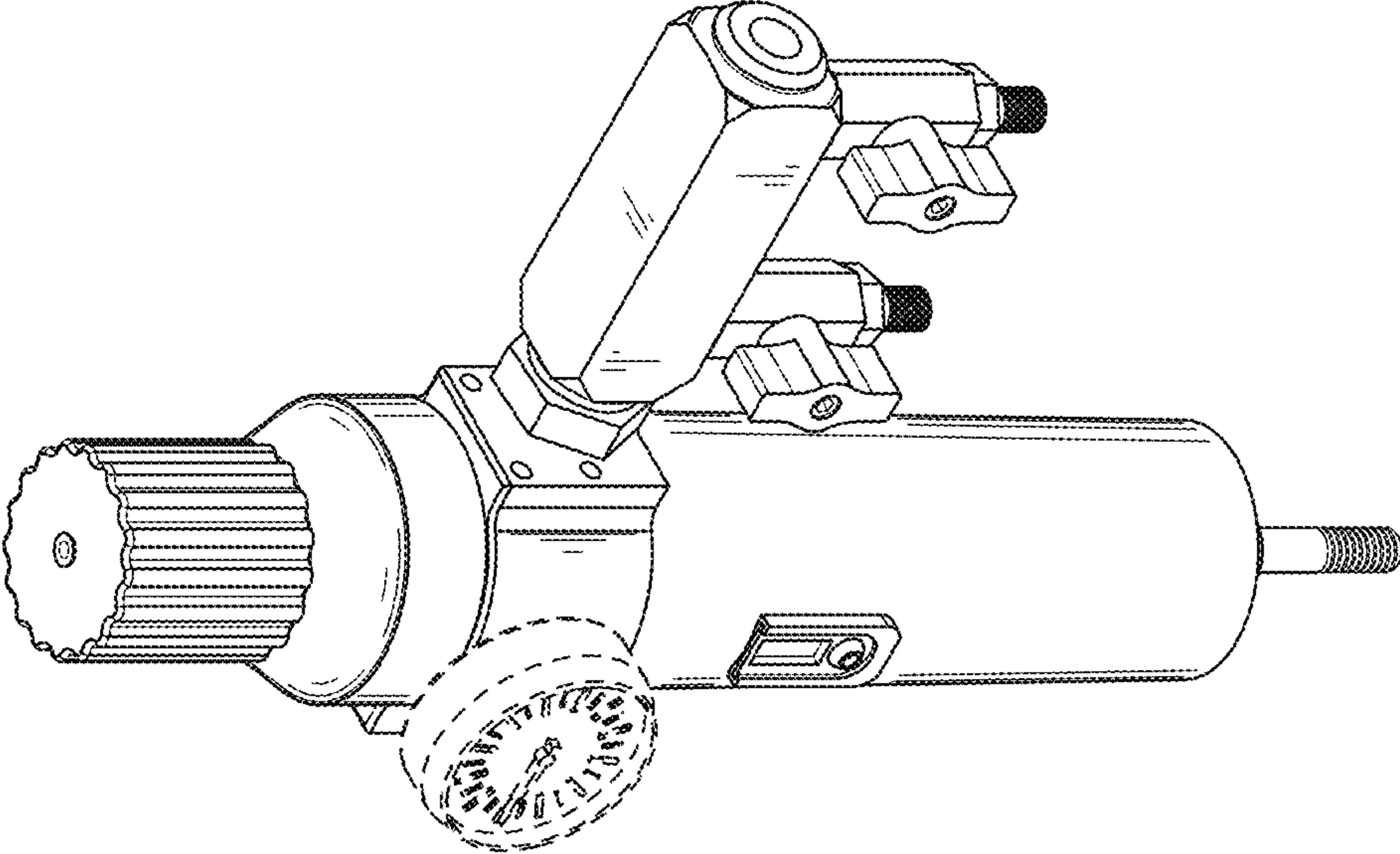
The ornamental design for a filter system with timestrip, as shown and described.

**DESCRIPTION**

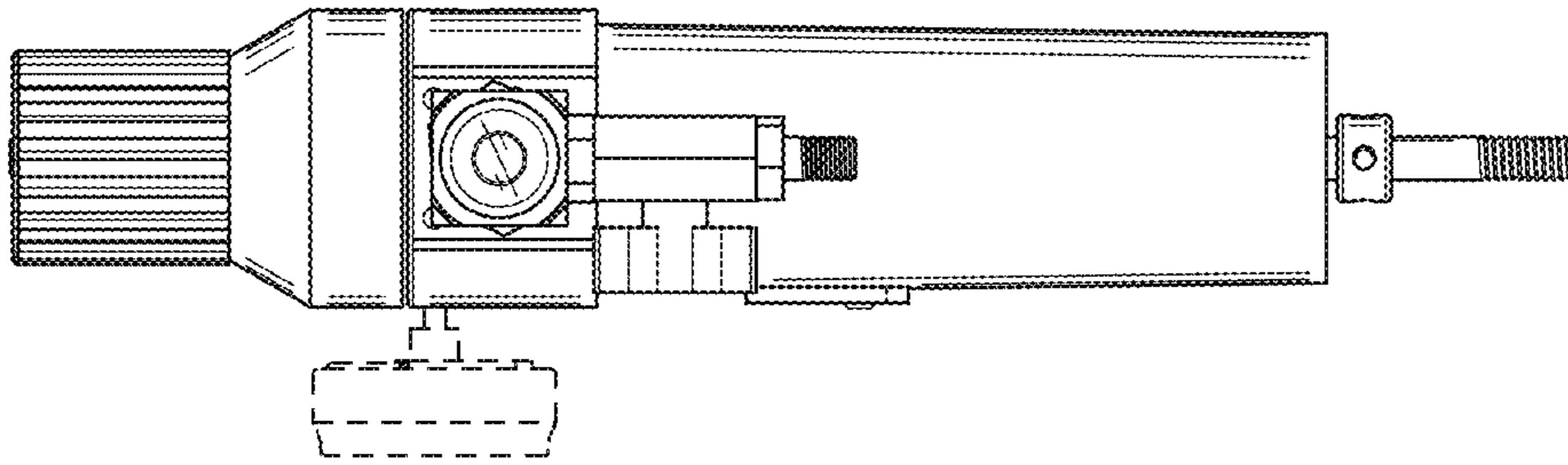
FIG. 1 is a perspective view of a filter system with a timestrip according to the present invention; FIG. 2 is a first side view of the filter system of FIG. 1; FIG. 3 is a second side view of the filter system of FIG. 1; FIG. 4 is a front view of the filter system of FIG. 1; FIG. 5 is a back view of the filter system of FIG. 1; FIG. 6 is a top view of the filter system of FIG. 1; and, FIG. 7 is a bottom view of the filter system of FIG. 1. The broken line showing is included for the purpose of illustrating and forms no part of the claimed design.

**1 Claim, 4 Drawing Sheets**

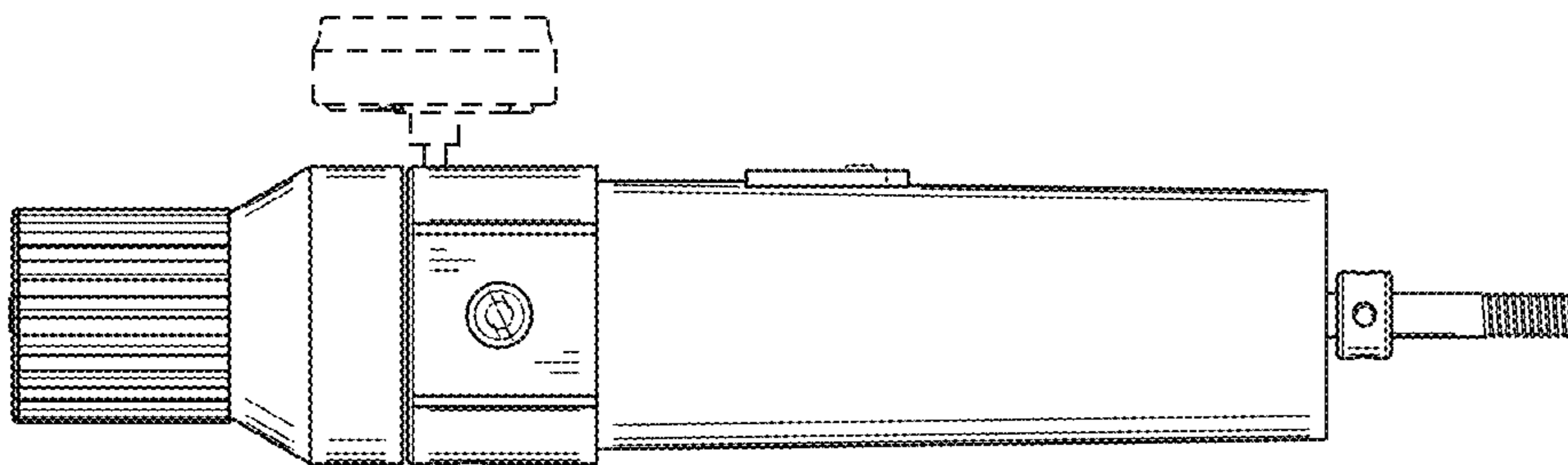




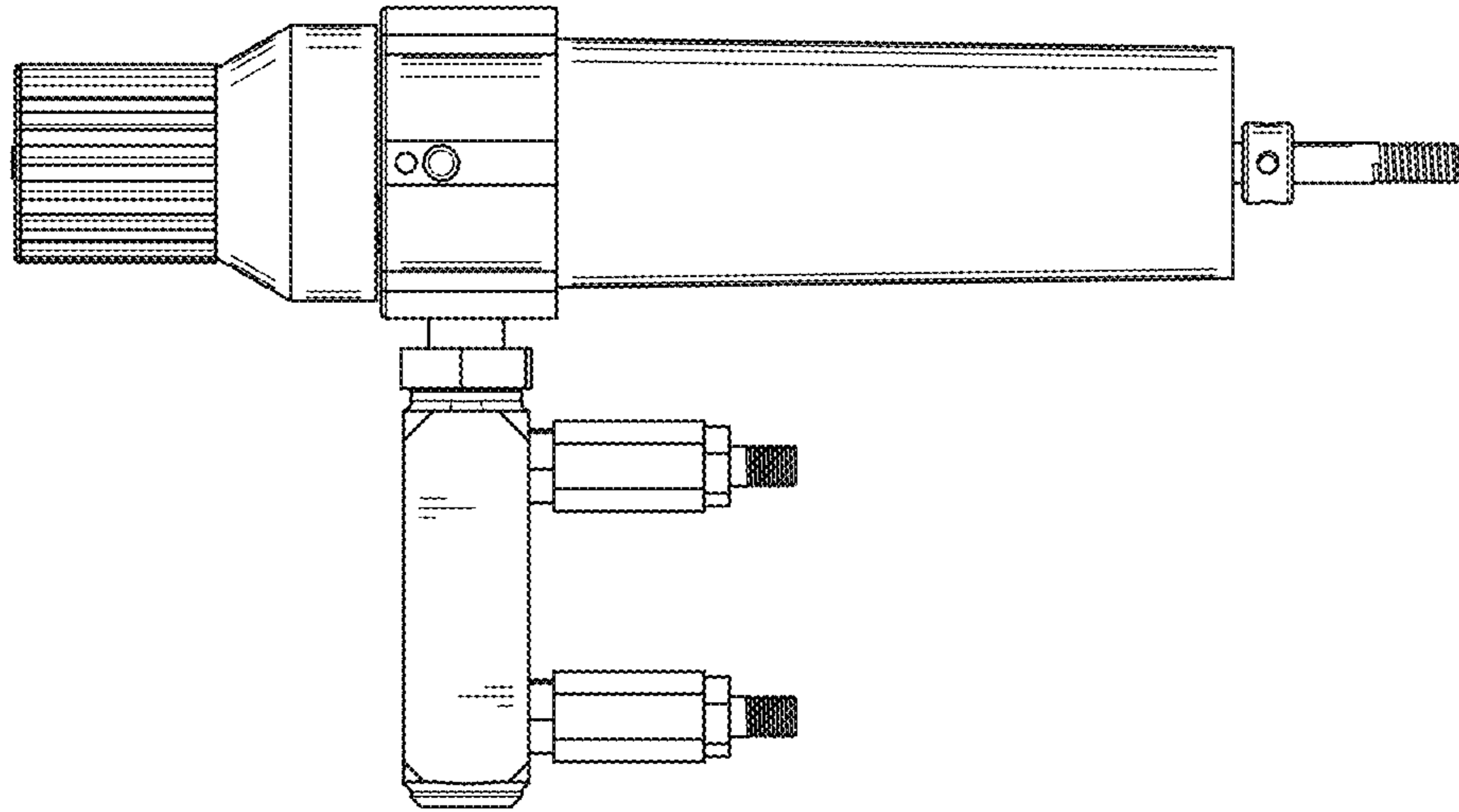
**FIG. 1**



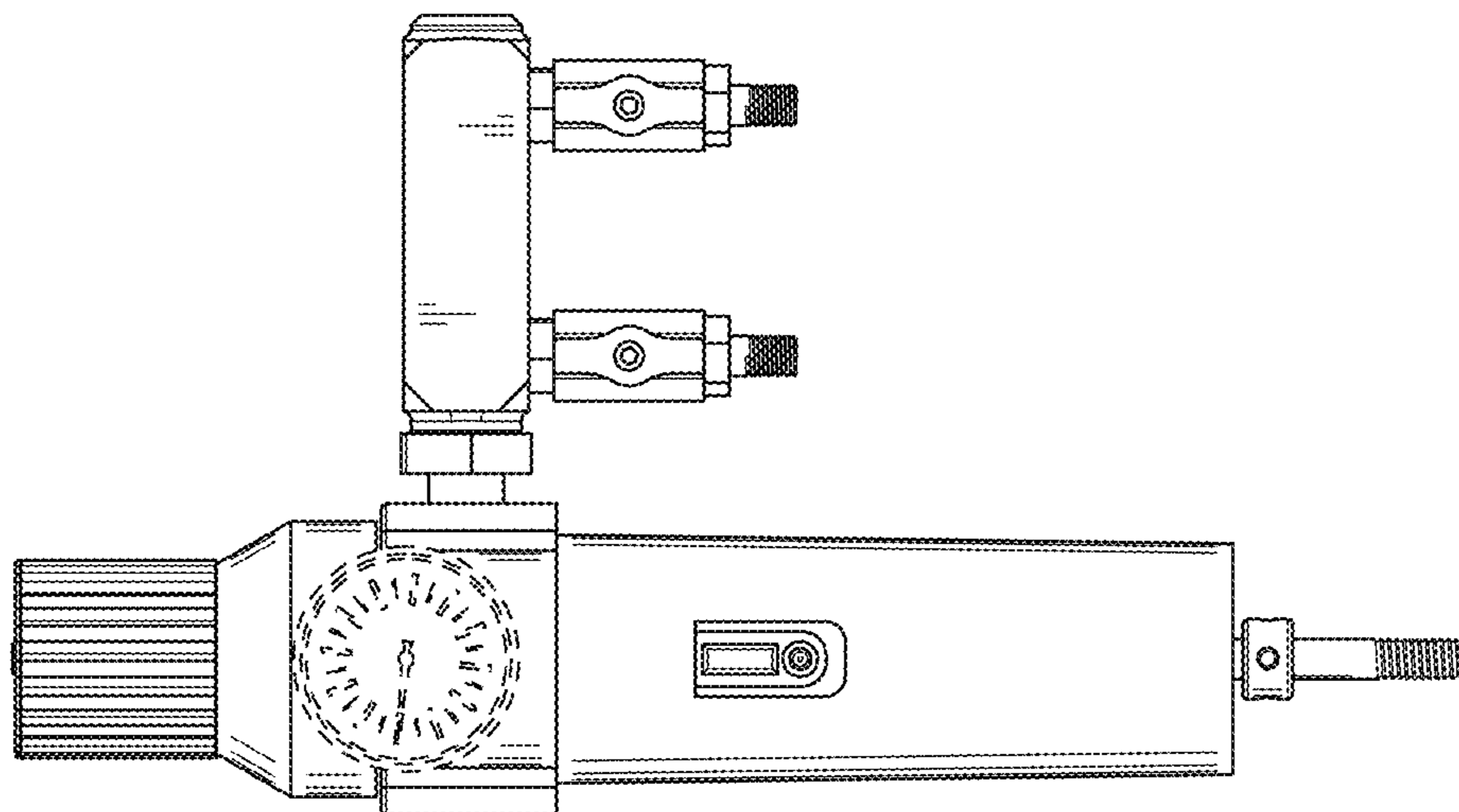
**FIG. 3**



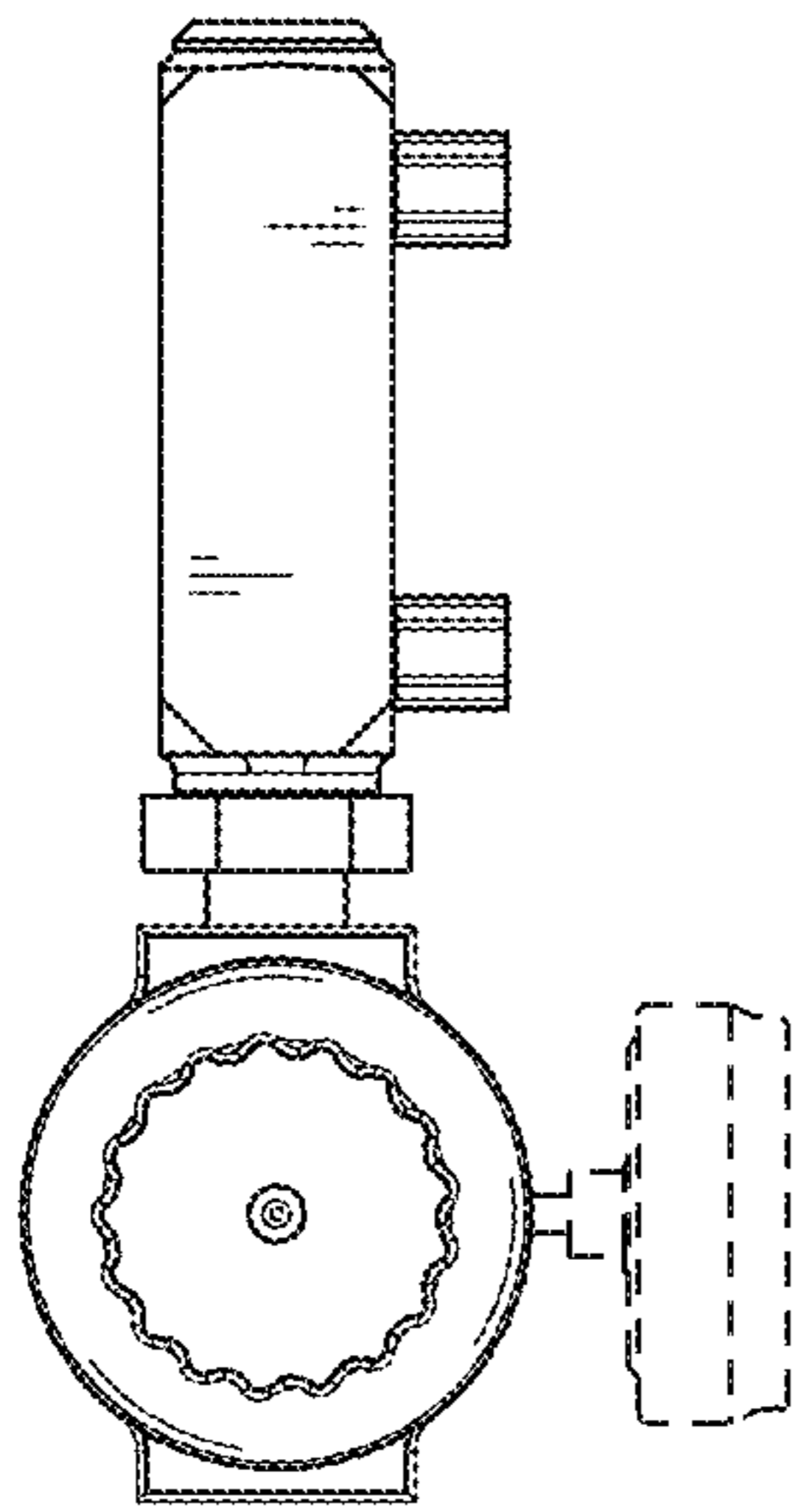
**FIG. 2**



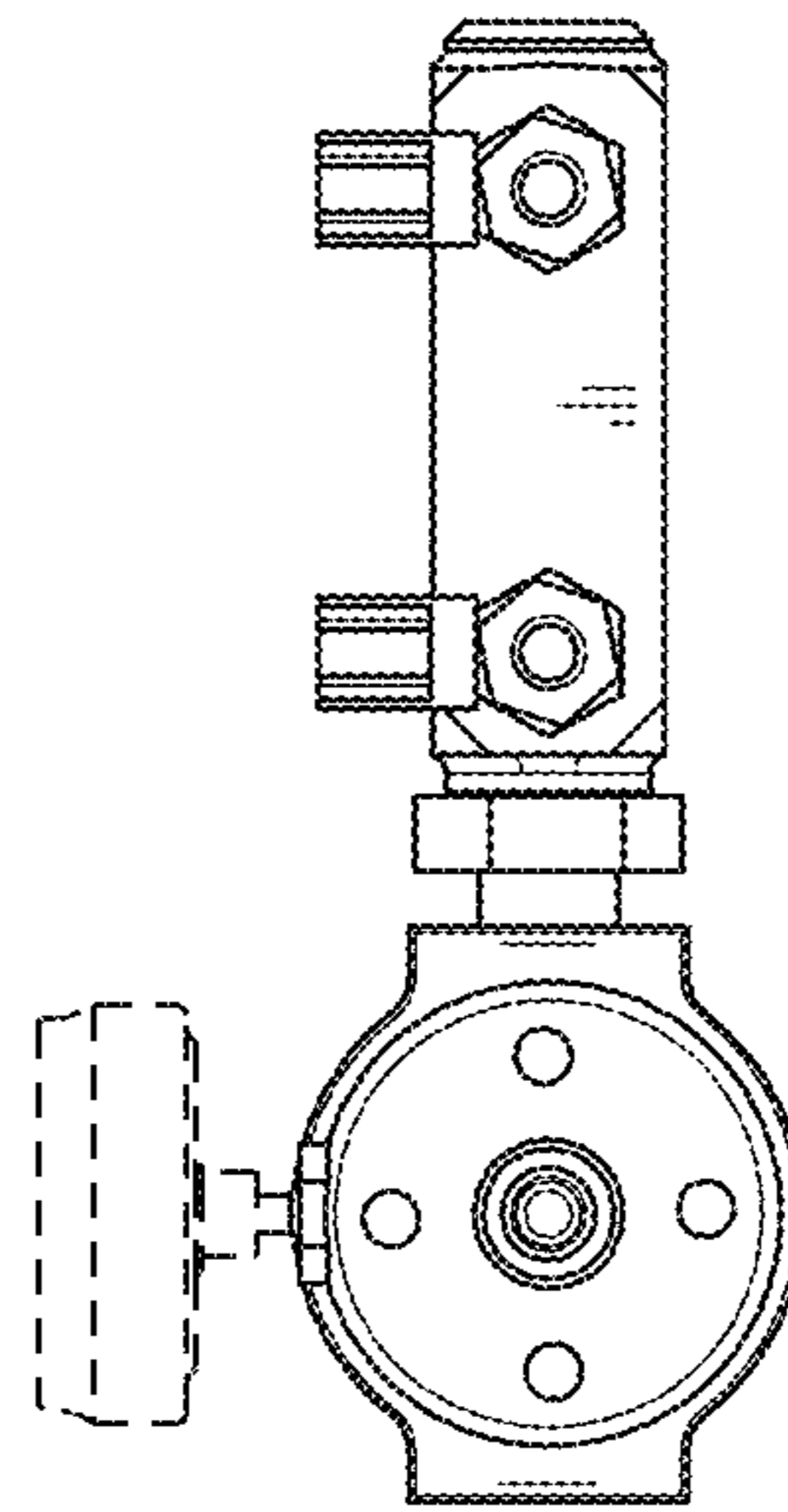
**FIG. 4**



**FIG. 5**



**FIG. 6**



**FIG. 7**