



US00D794748S

(12) **United States Design Patent**
Kimura et al.

(10) **Patent No.:** **US D794,748 S**

(45) **Date of Patent:** **** Aug. 15, 2017**

(54) **WATER PURIFIER**

(71) Applicant: **Mitsubishi Rayon Cleansui Co., Ltd.**,
Shinagawa-ku, Tokyo (JP)

(72) Inventors: **Shouzou Kimura**, Tokyo (JP); **Noboru Odamaki**, Tokyo (JP); **Fumie Shibata**, Tokyo (JP)

(73) Assignee: **Mitsubishi Rayon Cleansui Co., Ltd.** (JP)

(**) Term: **15 Years**

(21) Appl. No.: **29/562,874**

(22) Filed: **Apr. 29, 2016**

(30) **Foreign Application Priority Data**

Oct. 30, 2015 (JP) 2015-024353

(51) **LOC (10) Cl.** **23-01**

(52) **U.S. Cl.**
USPC **D23/207**

(58) **Field of Classification Search**
USPC D23/207, 208, 209; 210/446-7, 449;
239/289

CPC C02F 1/003; B01D 35/04; B01D 35/30
See application file for complete search history.

(56) **References Cited**

U.S. PATENT DOCUMENTS

D242,249 S * 11/1976 Corder et al. D23/209
D277,305 S * 1/1985 Grube D23/209
D285,958 S * 9/1986 Koizumi D23/209
D398,369 S * 9/1998 Hayes D23/209

D438,592 S * 3/2001 Gaston D23/209
D457,596 S * 5/2002 Guzman D23/209
6,797,156 B2 * 9/2004 Chau B01D 35/04
137/549
D529,128 S * 9/2006 Lee D23/209
D542,374 S * 5/2007 Green D23/209
D574,925 S * 8/2008 Morita D23/209
7,617,939 B2 * 11/2009 Klump C02F 1/001
137/562
D635,640 S * 4/2011 Xu D23/209
D681,773 S * 5/2013 Sugie D23/209
D681,774 S * 5/2013 Sugie D23/209
9,004,290 B2 * 4/2015 Tanner C02F 1/003
137/603

* cited by examiner

Primary Examiner — Robin V Webster

(74) *Attorney, Agent, or Firm* — Saidman DesignLaw Group, LLC.

(57) **CLAIM**

The ornamental design for a water purifier, as shown and described.

DESCRIPTION

FIG. 1 is a perspective view of a water purifier showing our new design;

FIG. 2 is a front elevational view thereof;

FIG. 3 is a rear elevational view thereof;

FIG. 4 is a left side elevational view thereof;

FIG. 5 is a right side elevational view thereof;

FIG. 6 is a top plan view thereof; and,

FIG. 7 is a bottom plan view thereof.

The broken lines shown in the drawings are for illustrative purposes only and form no part of the claimed design. The dot-dashed lines show unclaimed boundaries.

1 Claim, 4 Drawing Sheets

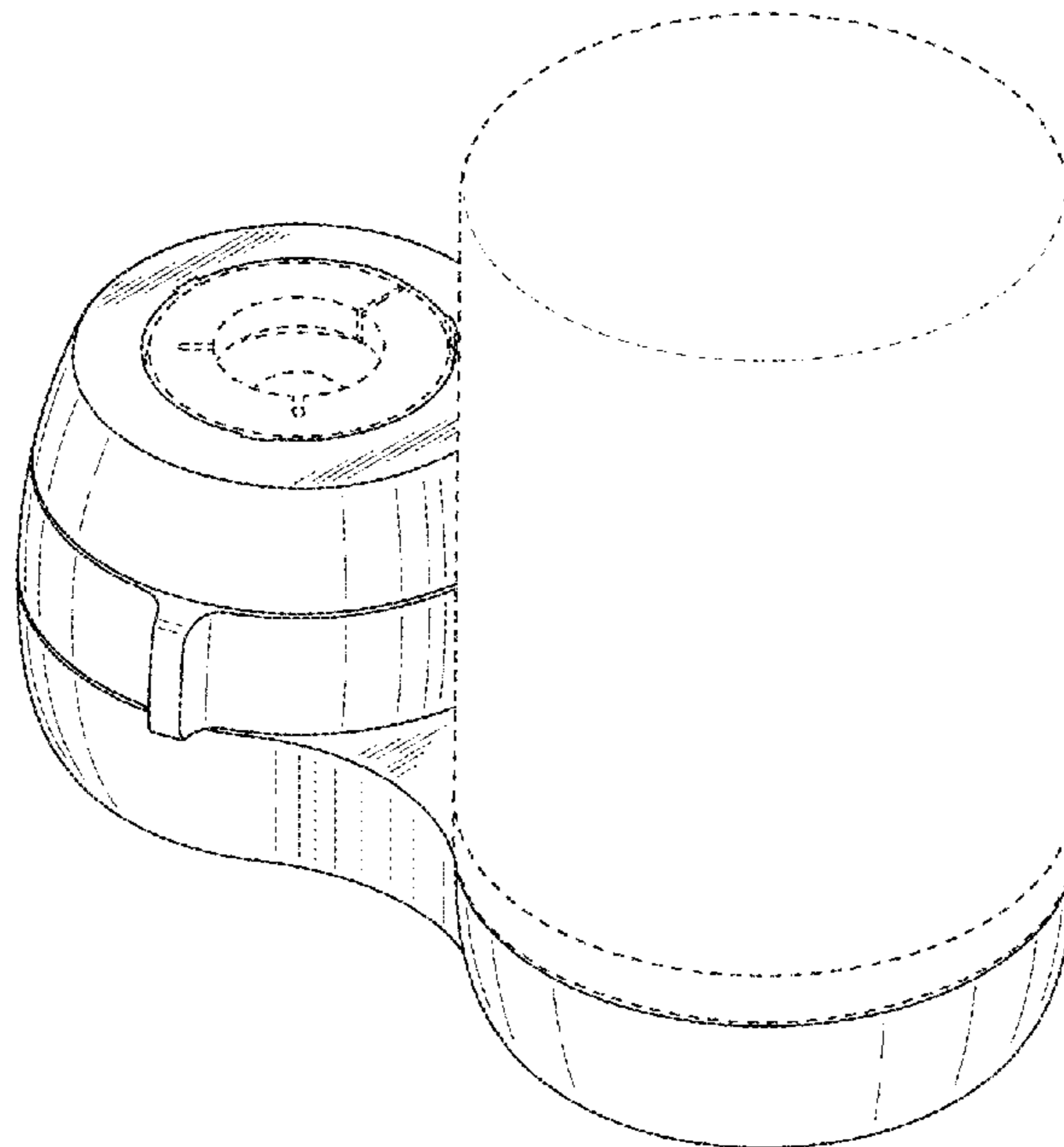


FIG. 1

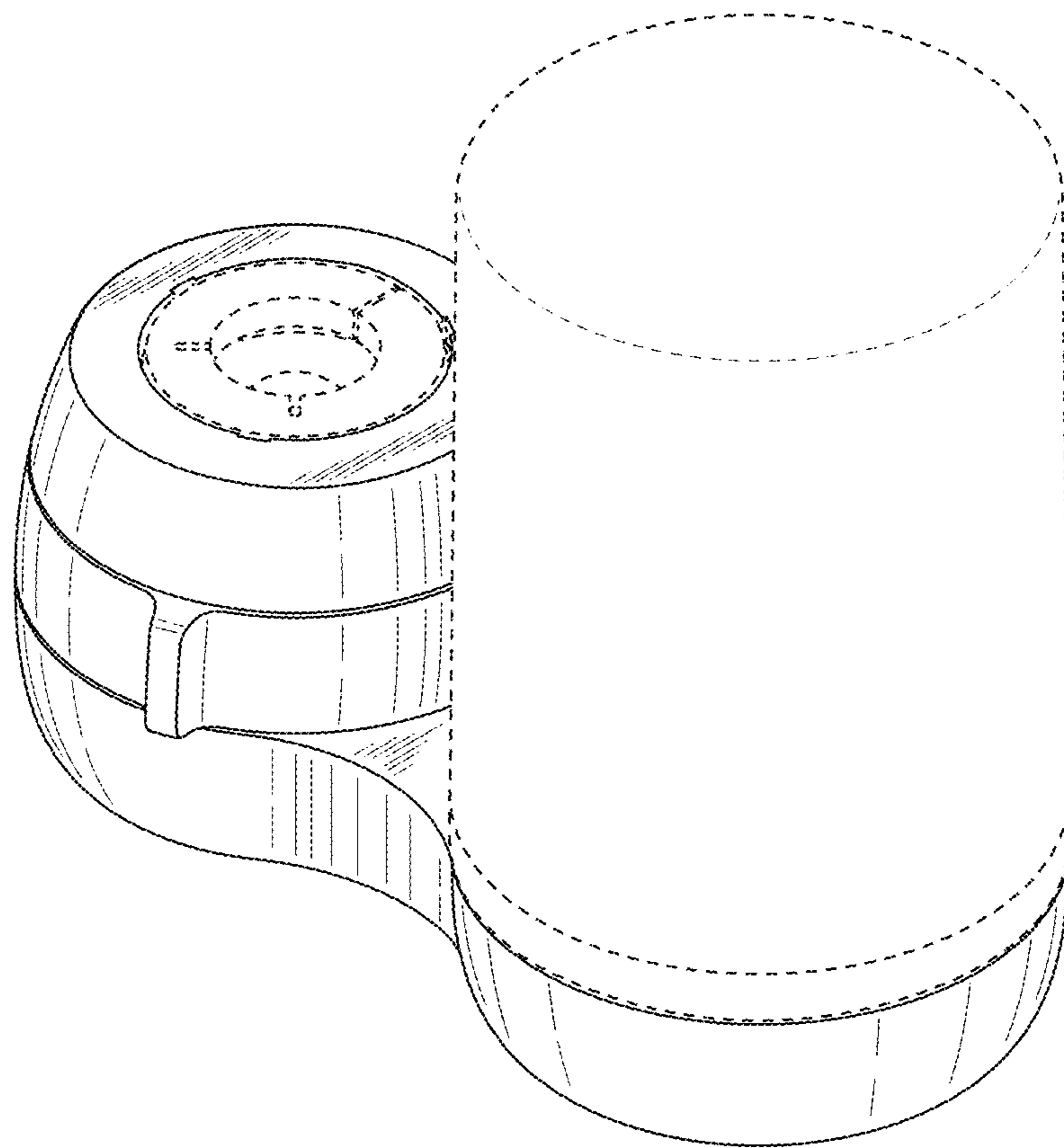


FIG. 2

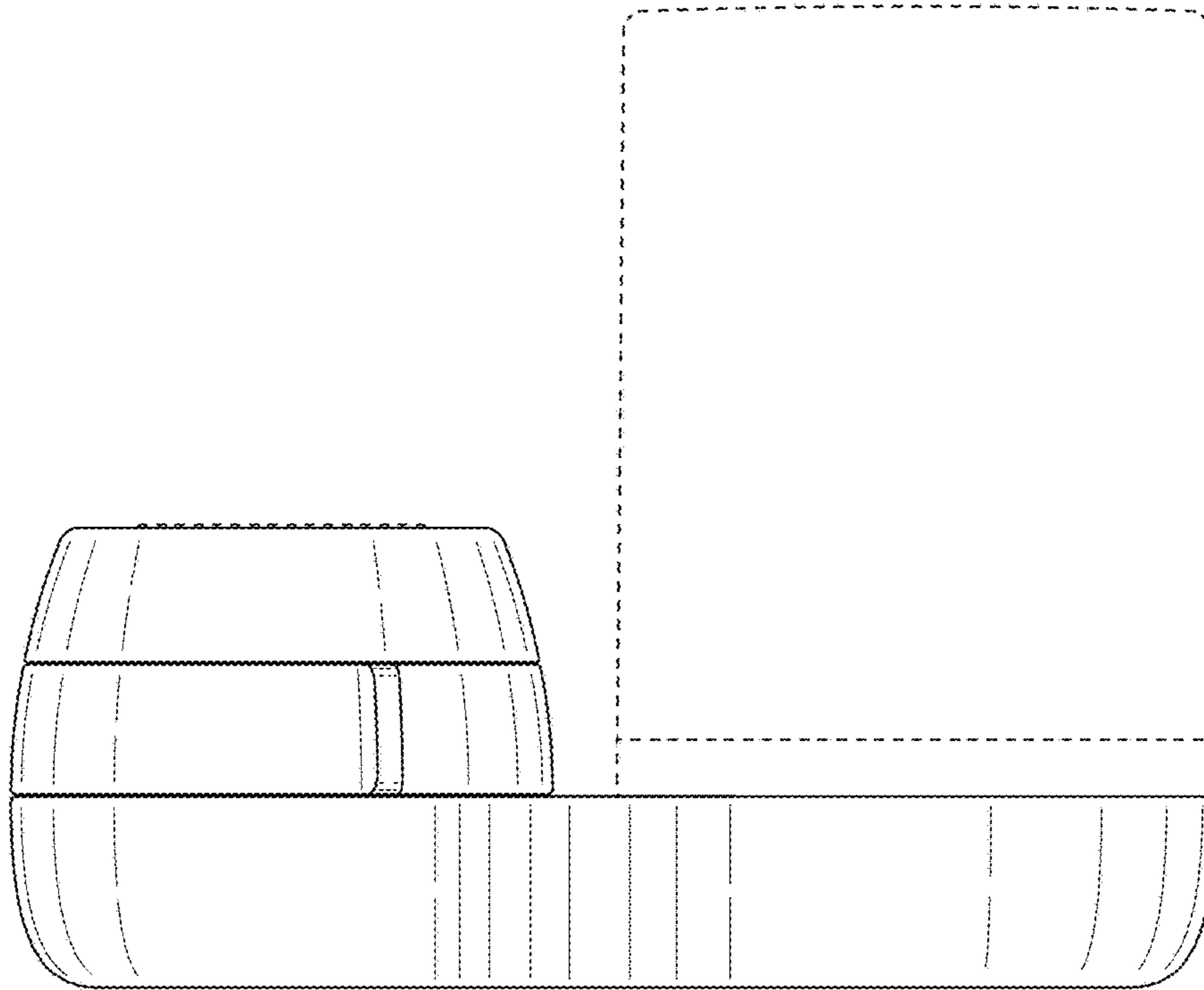


FIG. 3

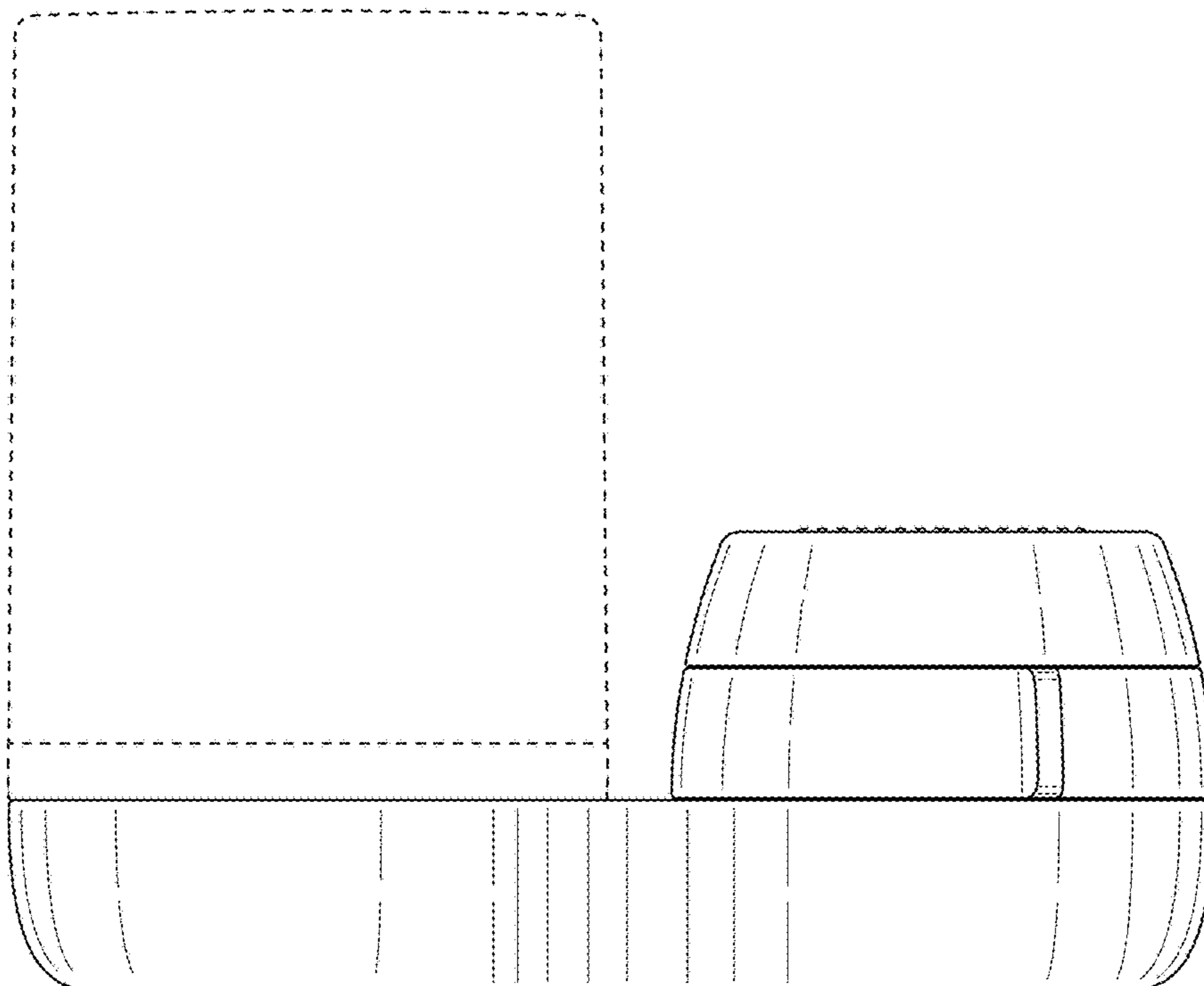


FIG. 4

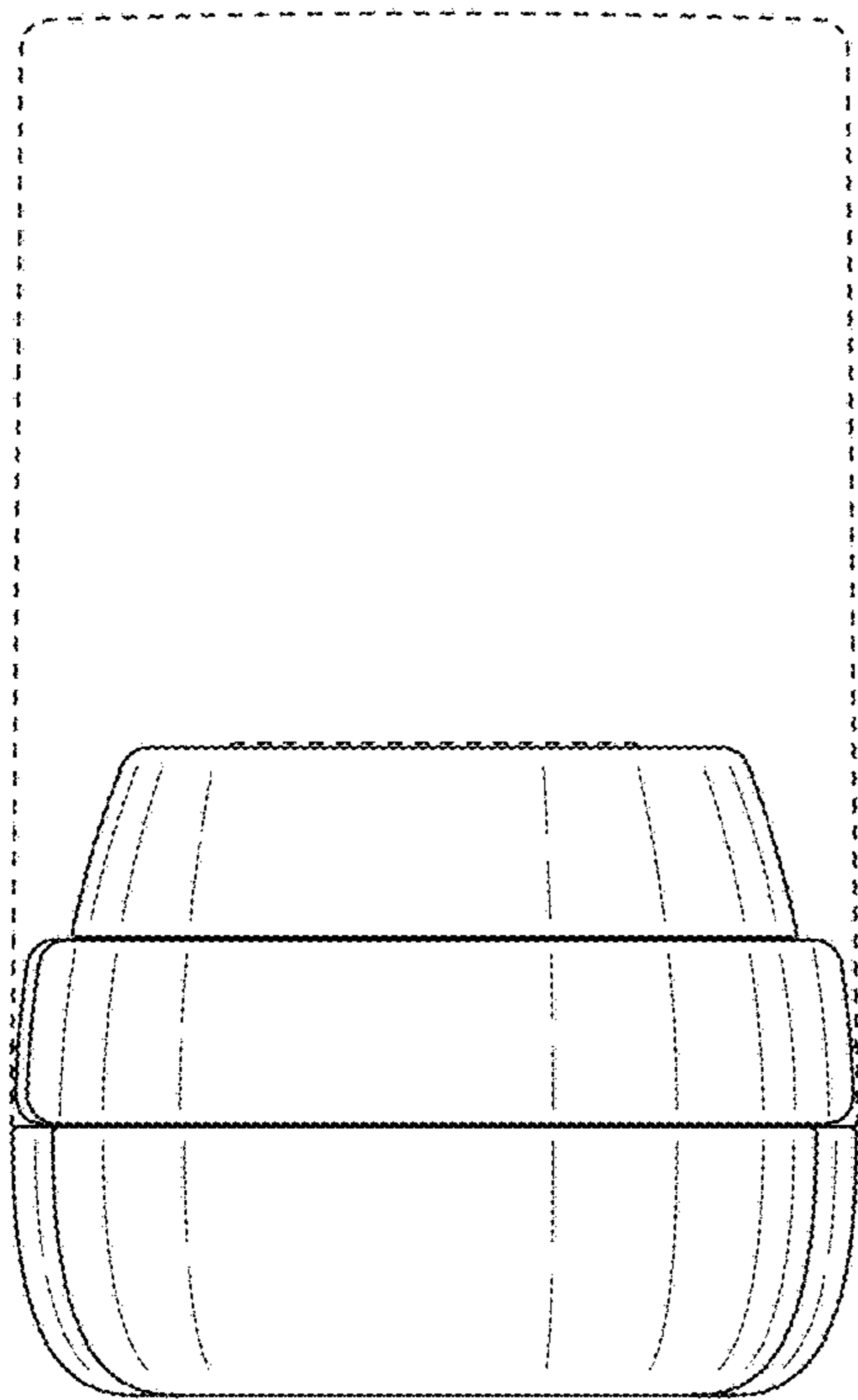


FIG. 5

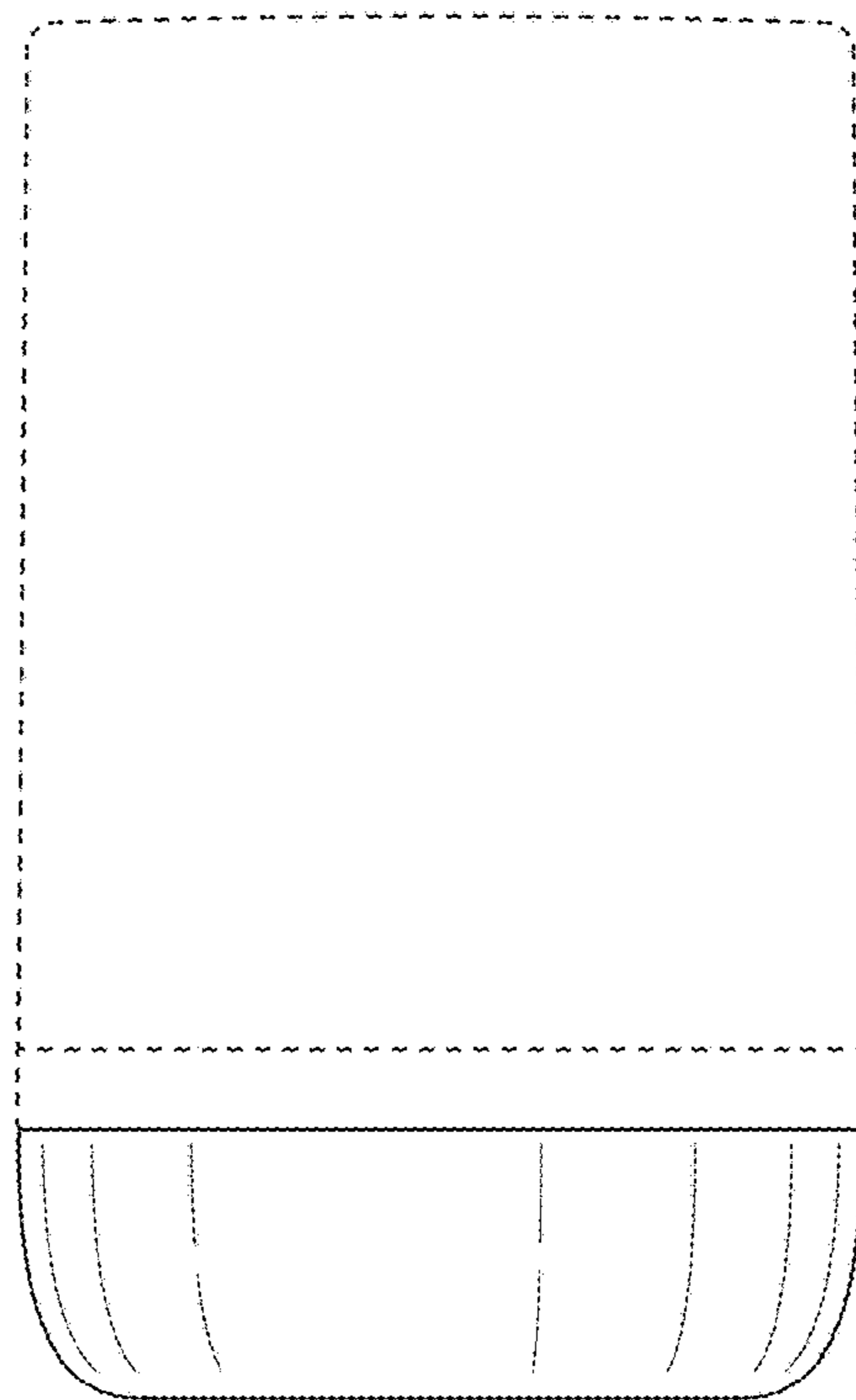


FIG. 6

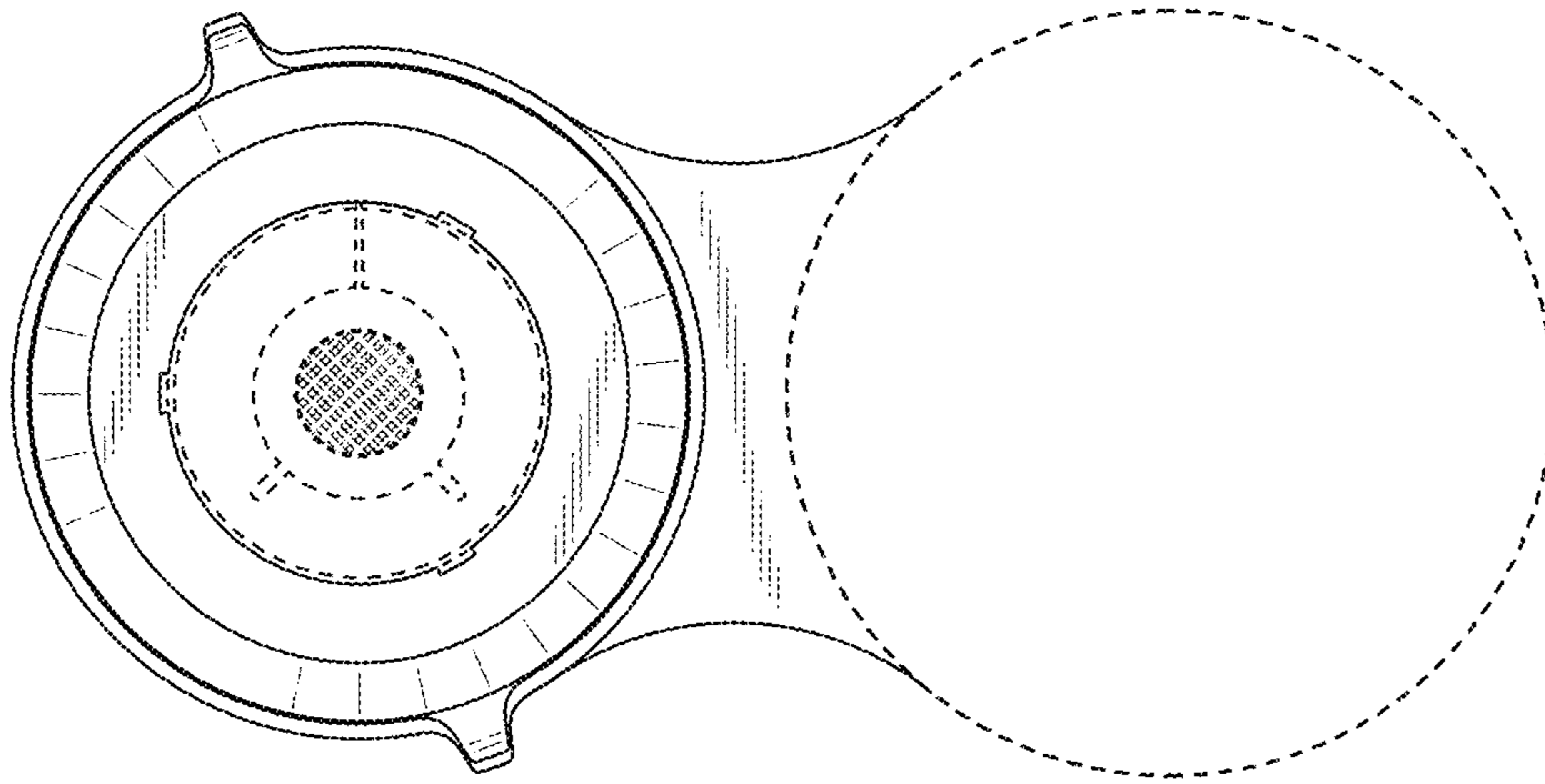


FIG. 7

