

US00D794746S

(12) **United States Design Patent** (10) **Patent No.:** **US D794,746 S**
Kessler (45) **Date of Patent:** **** Aug. 15, 2017**

(54) **PROPANE TANK SUPPORT BASE**
(71) Applicant: **Keith Kessler**, Ponte Vedra, FL (US)
(72) Inventor: **Keith Kessler**, Ponte Vedra, FL (US)
(**) Term: **15 Years**
(21) Appl. No.: **29/564,306**
(22) Filed: **May 12, 2016**
(51) **LOC (10) Cl.** **23-01**
(52) **U.S. Cl.**
USPC **D23/206**
(58) **Field of Classification Search**
USPC D23/206; D32/54; 248/346.01, 346.06,
248/346.07; 211/71.01
CPC B65D 25/24
See application file for complete search history.

(56) **References Cited**
U.S. PATENT DOCUMENTS
3,642,239 A * 2/1972 Zeiler, Jr. E06C 7/14
211/71.01
D560,047 S * 1/2008 Kershaw D32/54
D579,514 S * 10/2008 Kelps D23/206
7,726,620 B1 * 6/2010 Kleespie F17C 13/002
220/571
D665,871 S * 8/2012 Coupe D23/206
D682,982 S * 5/2013 Wood D23/206
D691,698 S * 10/2013 Frey D23/206
D733,380 S * 6/2015 Kessler D23/206
D758,685 S * 6/2016 Liedtke D32/54
D773,012 S * 11/2016 Sheng D23/206

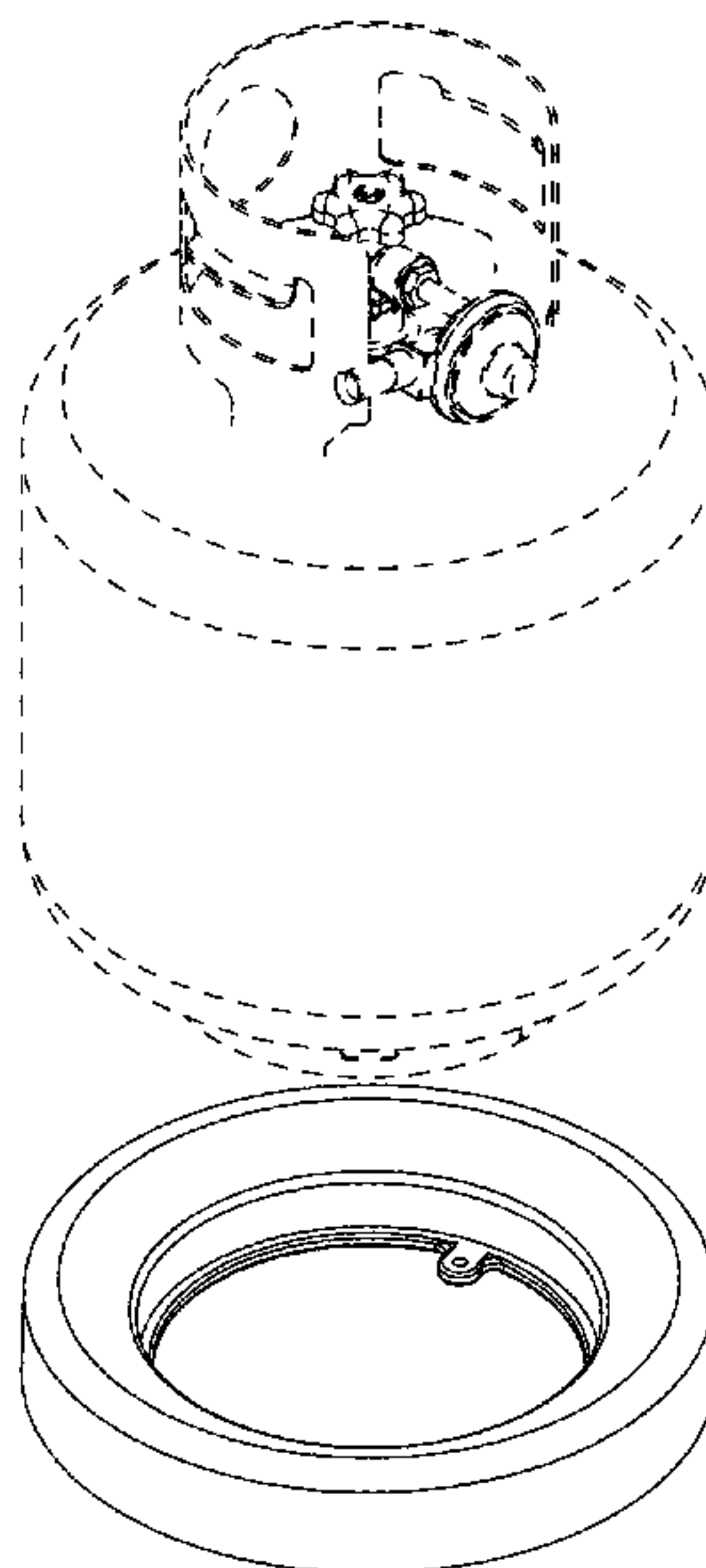
* cited by examiner

Primary Examiner — Robin V Webster
(74) Attorney, Agent, or Firm — Mark Young P.A.

(57) **CLAIM**
The ornamental design for a propane tank support base, as shown and described.

DESCRIPTION
FIG. 1 is a plan view of a propane tank support base.
FIG. 2 is a first side view of the propane tank support base of FIG. 1.
FIG. 3 is a second side view of the propane tank support base of FIG. 1.
FIG. 4 is a bottom view of the propane tank support base of FIG. 1.
FIG. 5 is a first top perspective view of the propane tank support base of FIG. 1.
FIG. 6 is a second top perspective view of the propane tank support base of FIG. 1.
FIG. 7 is a section view (Section A-A shown in FIG. 2) of the propane tank support base of FIG. 1.
FIG. 8 is a first bottom perspective view of the propane tank support base of FIG. 1.
FIG. 9 is a second bottom perspective view of the propane tank support base of FIG. 1.
FIG. 10 is a first side view of the propane tank support base of FIG. 1 supporting a propane tank.
FIG. 11 is a second side view of the propane tank support base of FIG. 1 supporting a propane tank.
FIG. 12 is a third side view of the propane tank support base of FIG. 1 supporting a propane tank.
FIG. 13 is a fourth side view of the propane tank support base of FIG. 1 supporting a propane tank.
FIG. 14 is a bottom view of the propane tank support base of FIG. 1 supporting a propane tank.
FIG. 15 is a top perspective view of the propane tank support base of FIG. 1 supporting a propane tank; and,
FIG. 16 is an exploded perspective view of the propane tank support base of FIG. 1 below a propane tank.
All broken lines showing are included for the purpose of illustrating environment and forms no part of the claimed design.

1 Claim, 16 Drawing Sheets



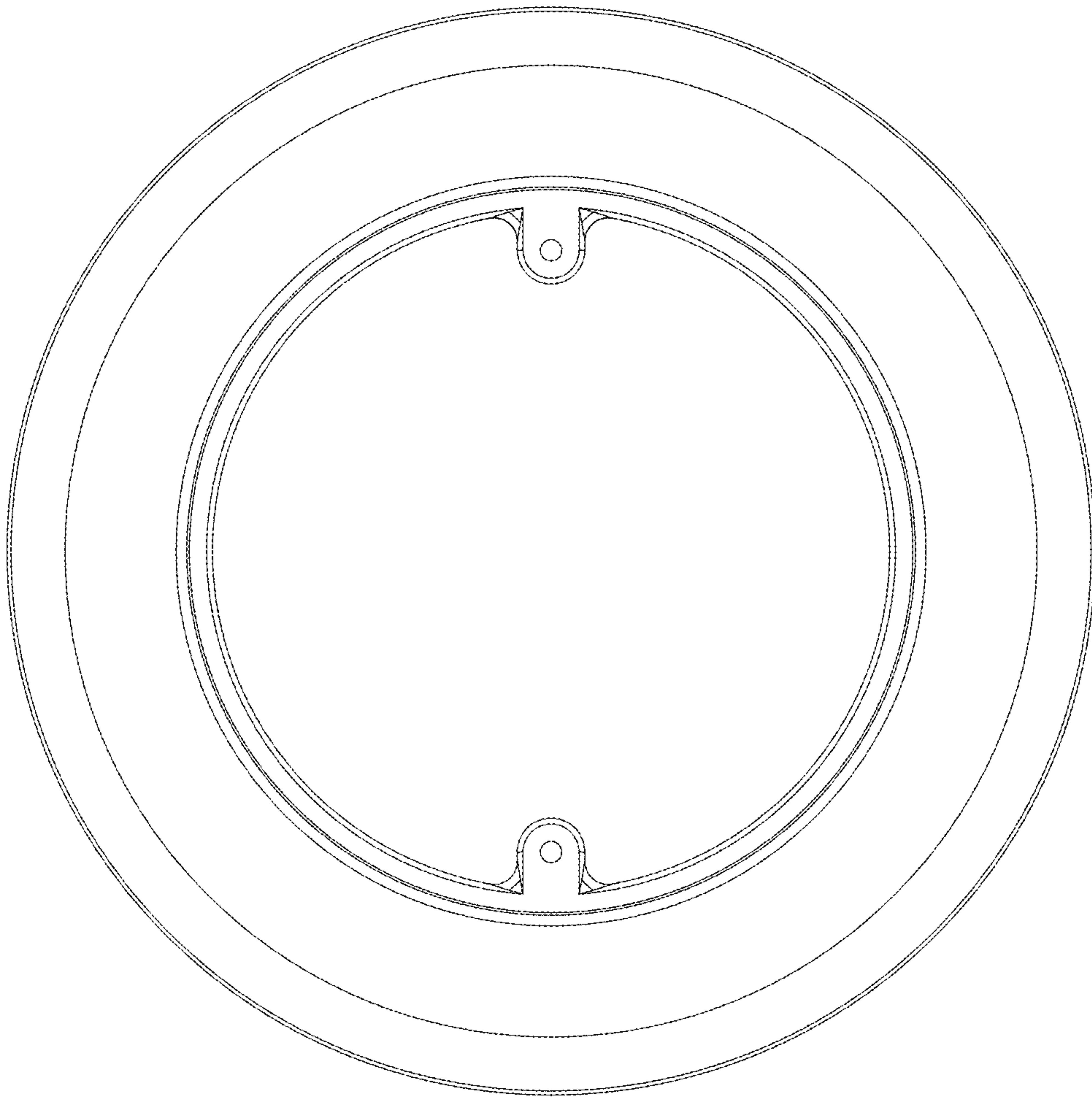


FIG. 1

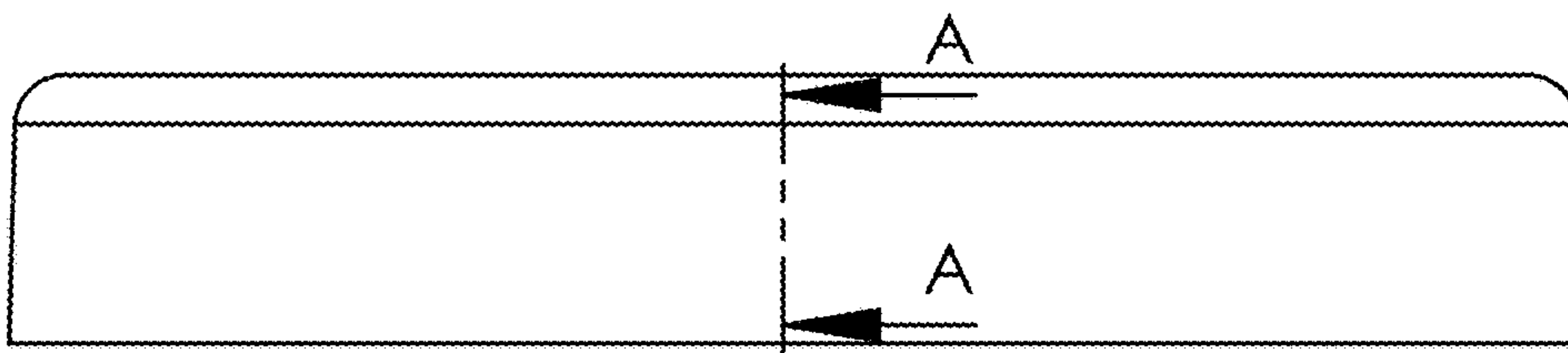


FIG. 2

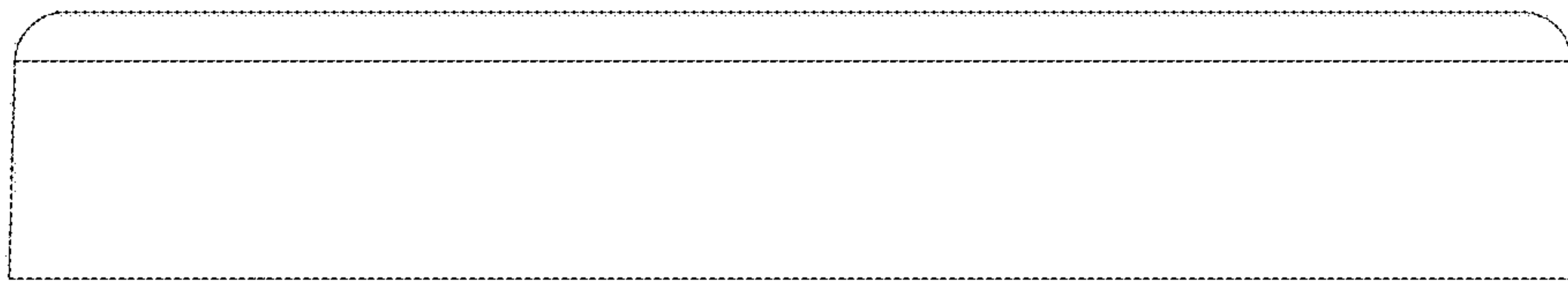


FIG. 3

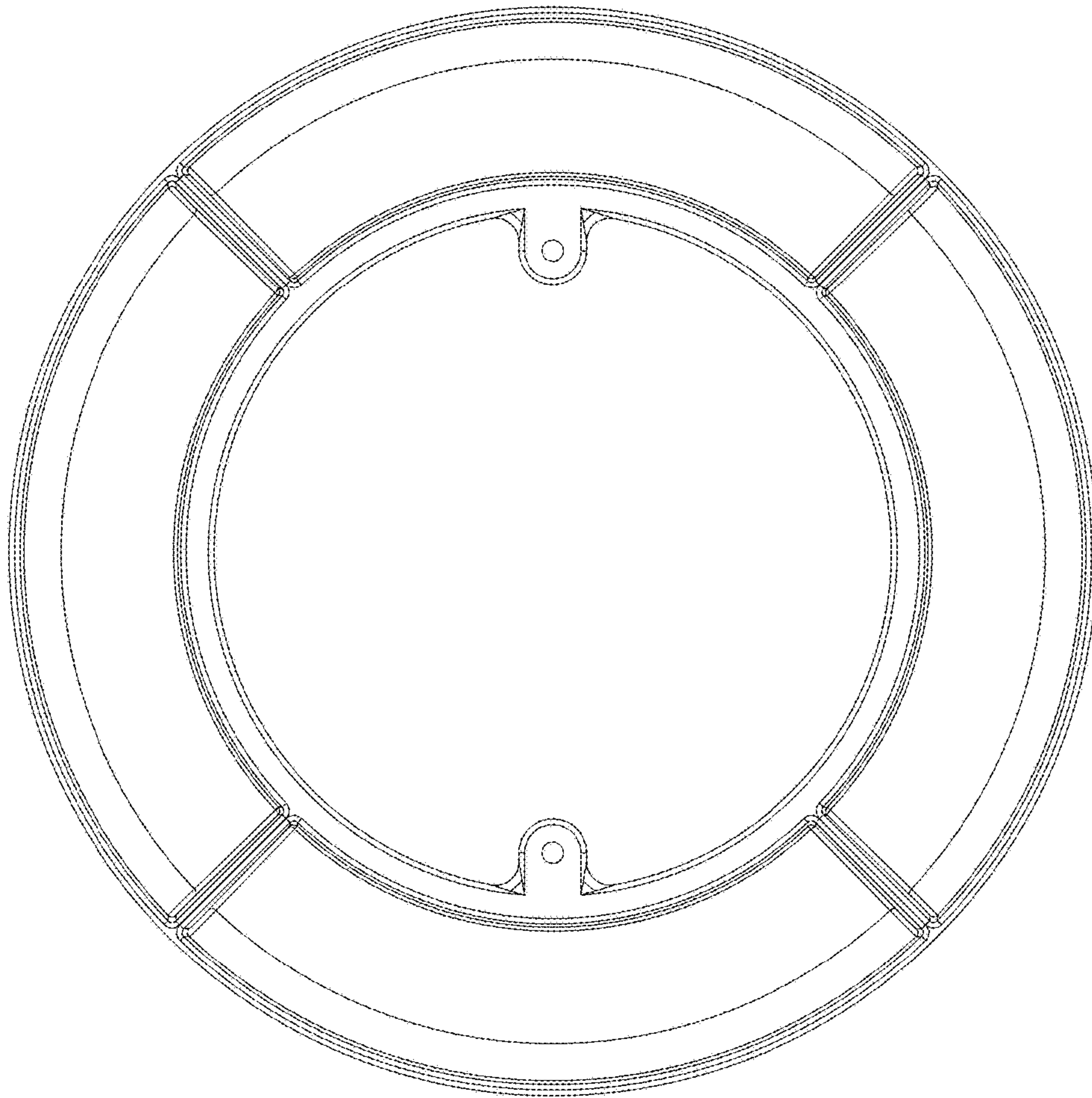


FIG. 4

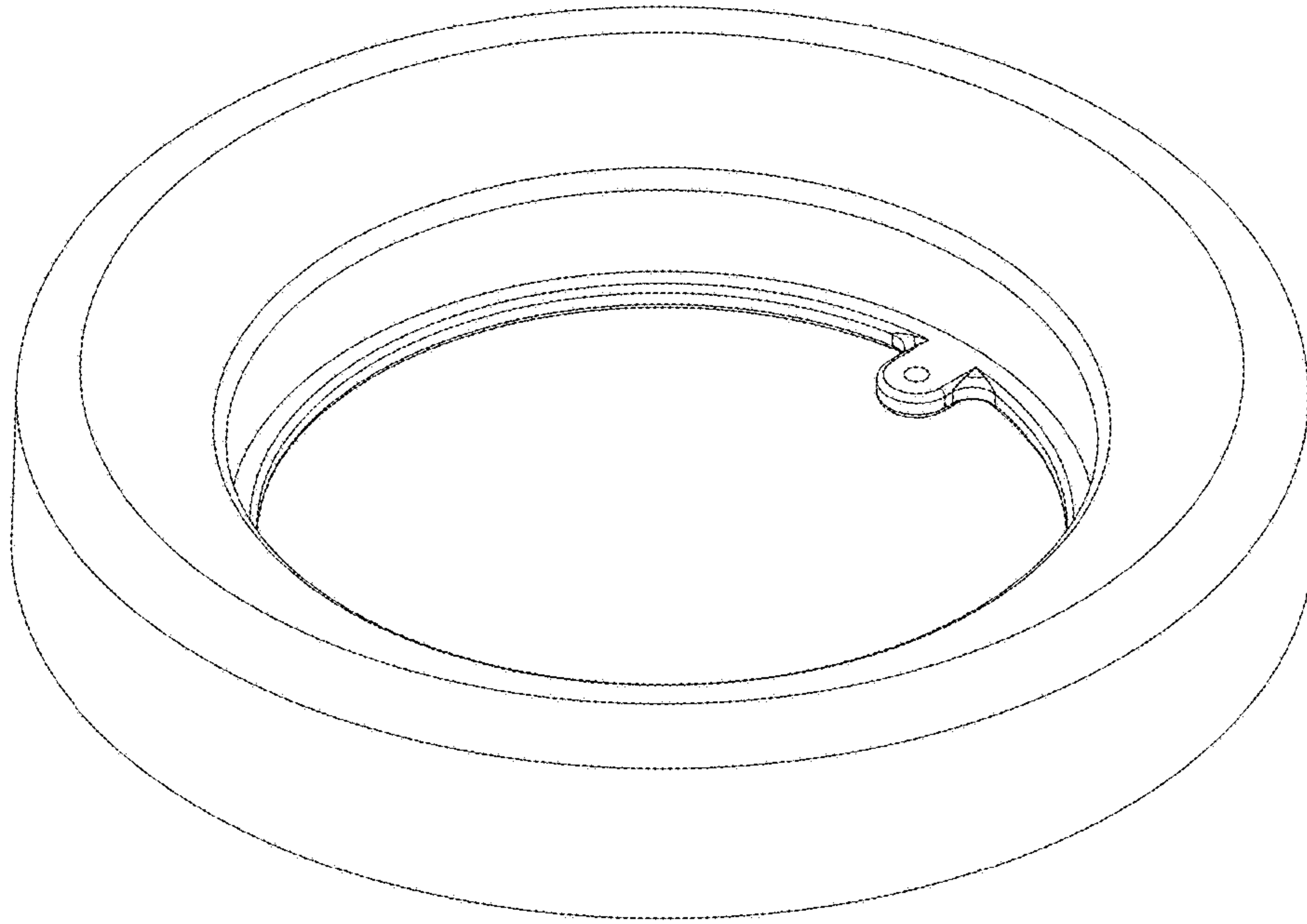


FIG. 5

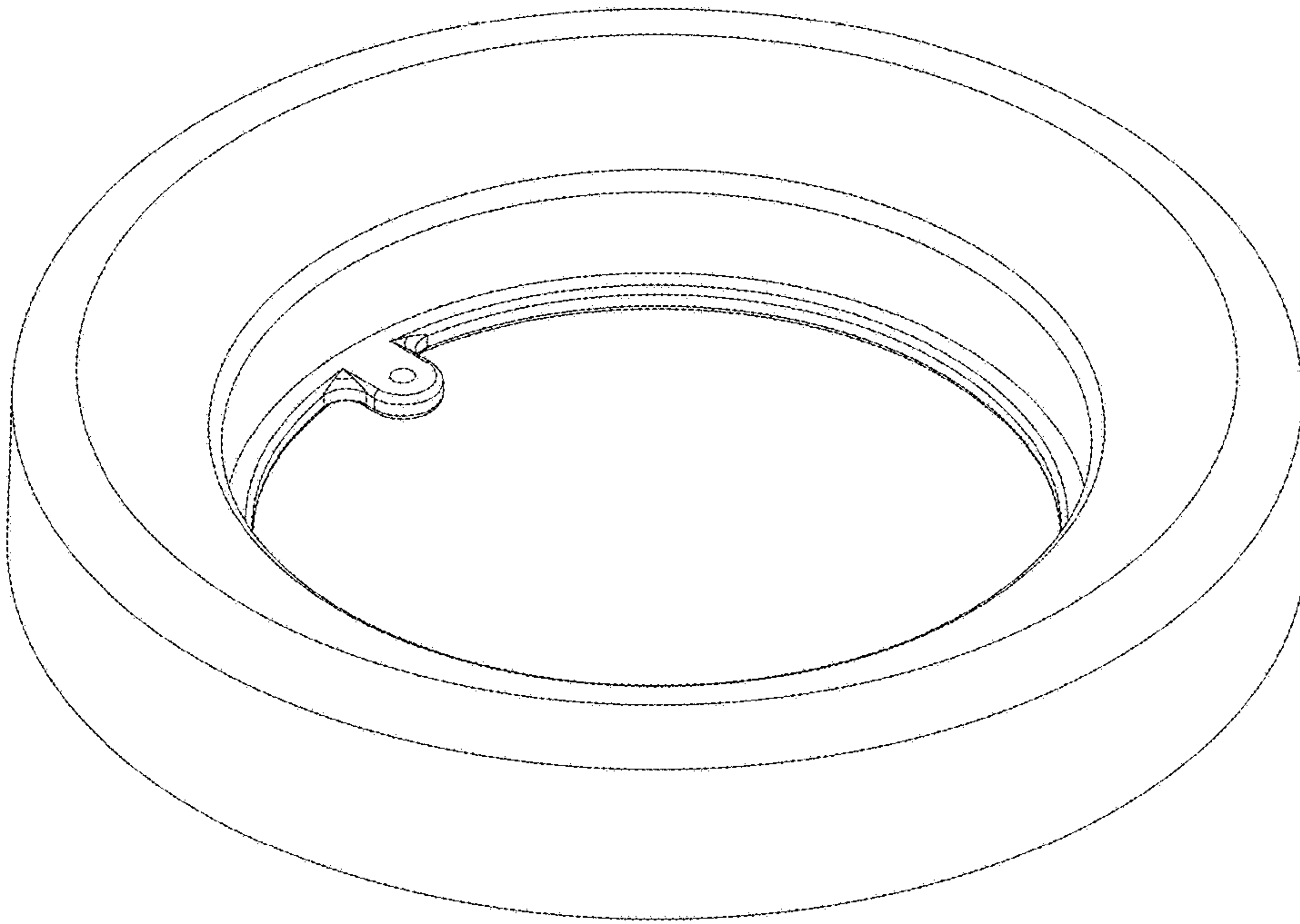


FIG. 6

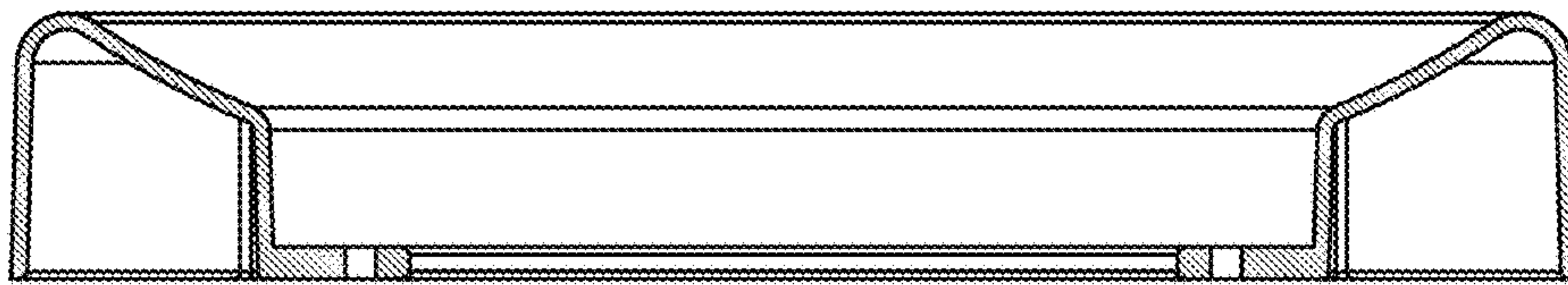


FIG. 7

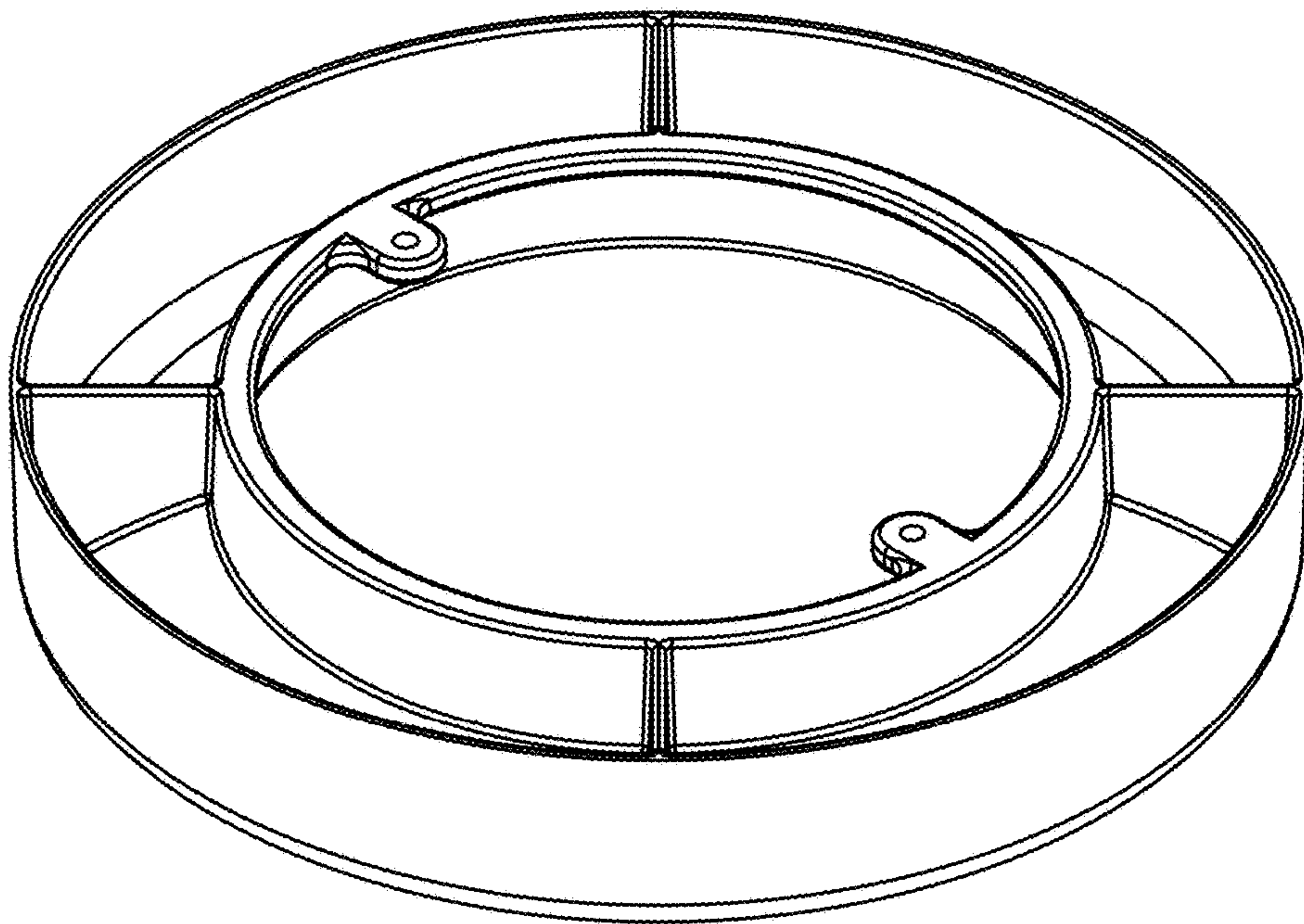


FIG. 8

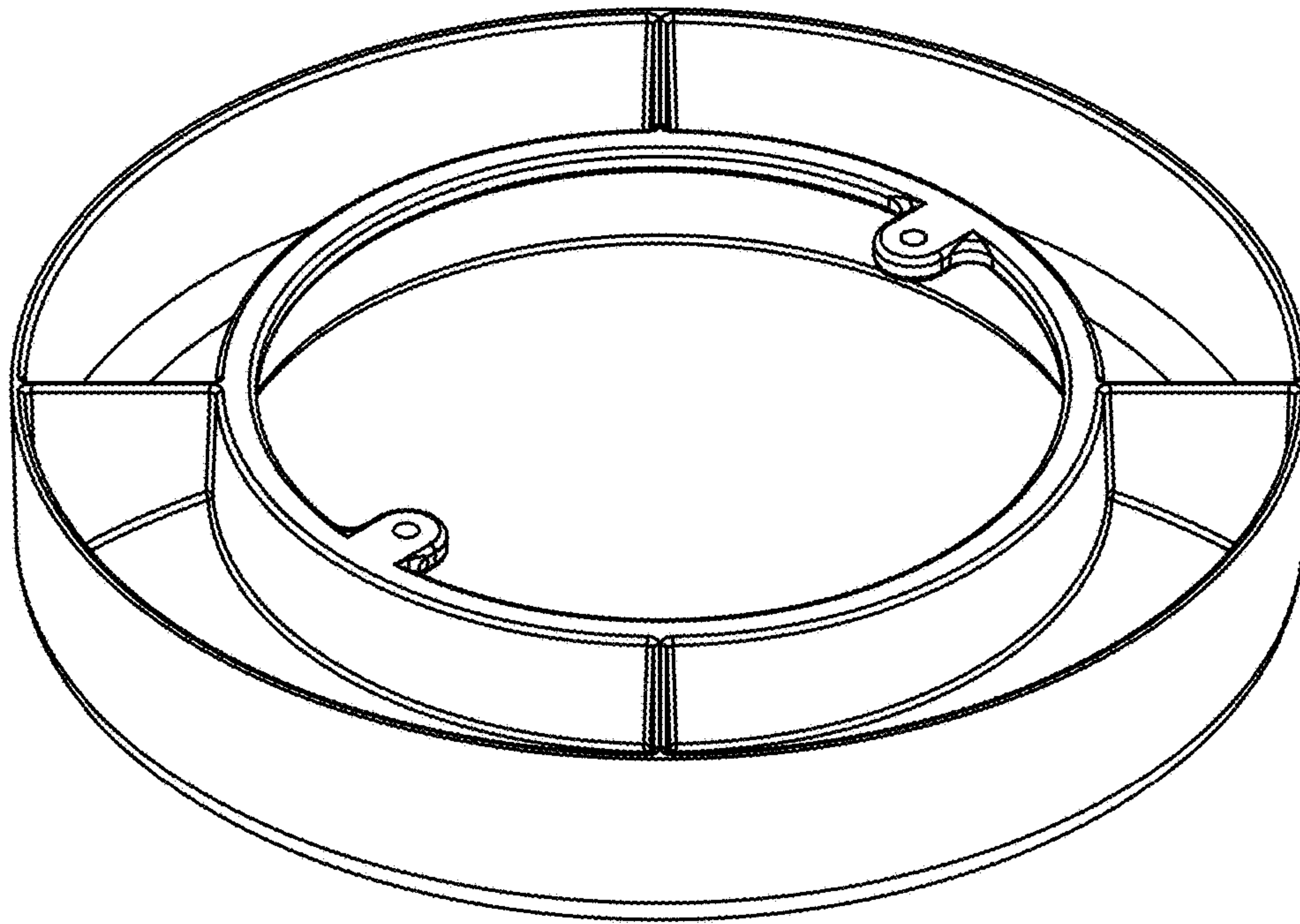


FIG. 9

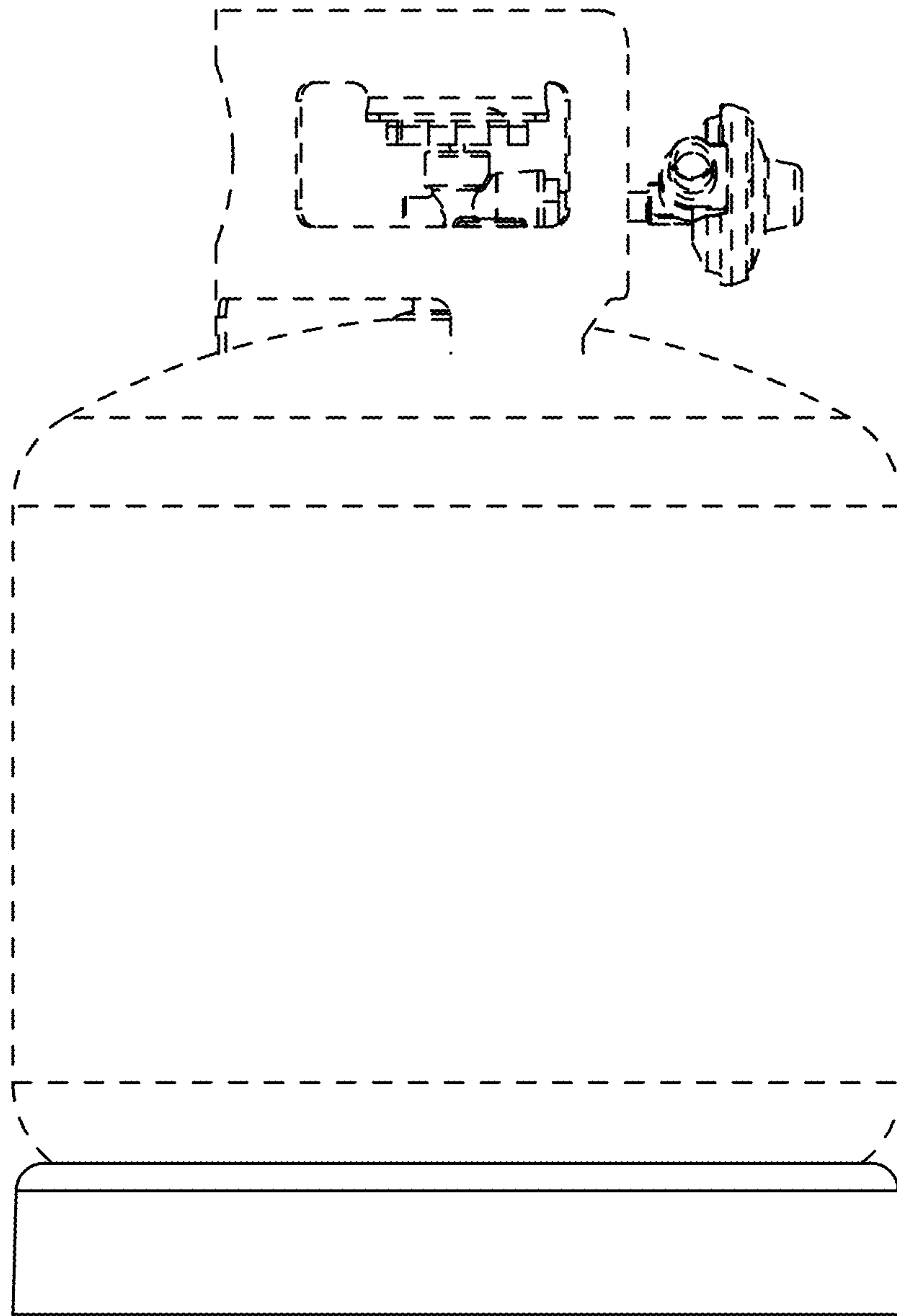


FIG. 10

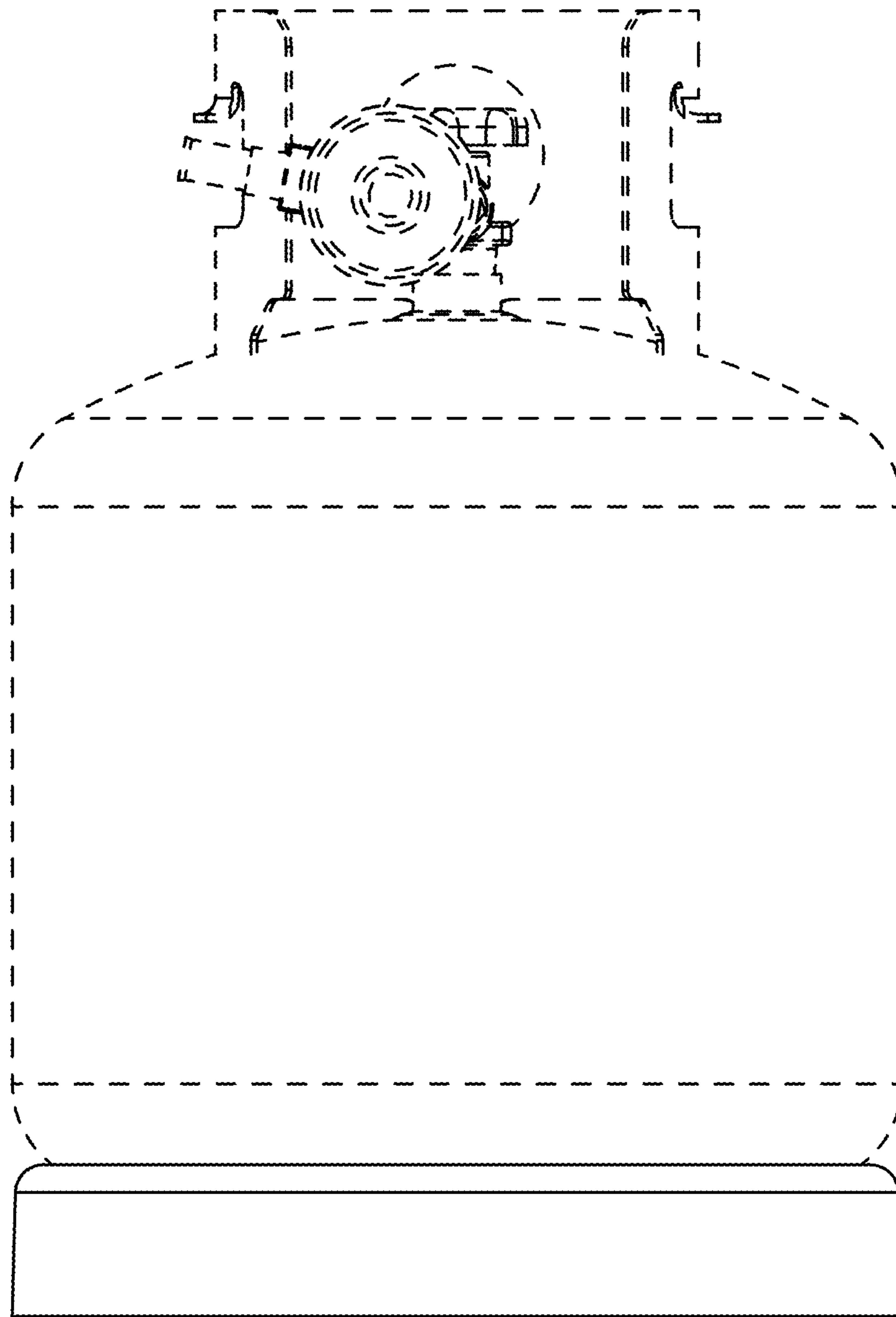


FIG. 11

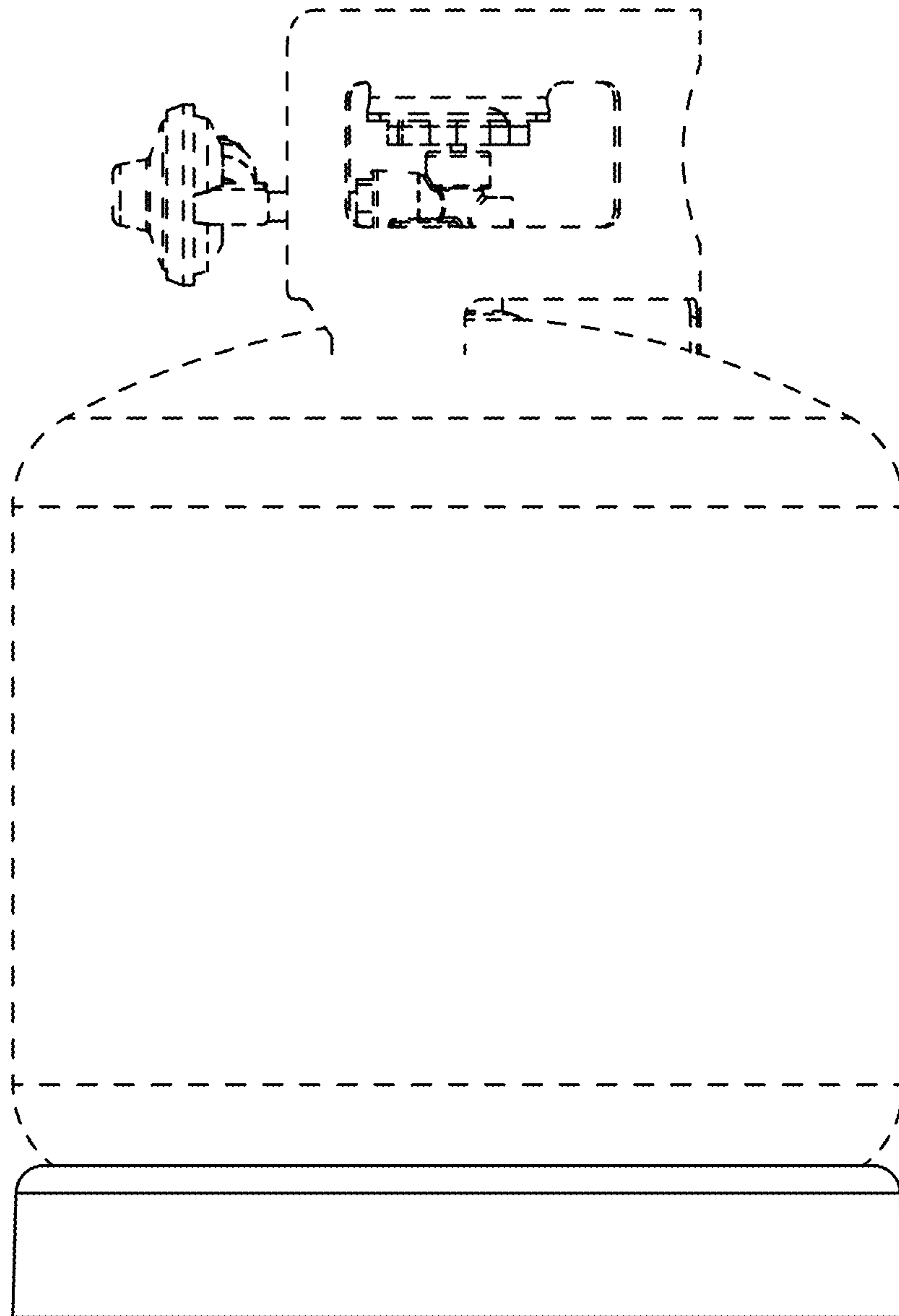


FIG. 12

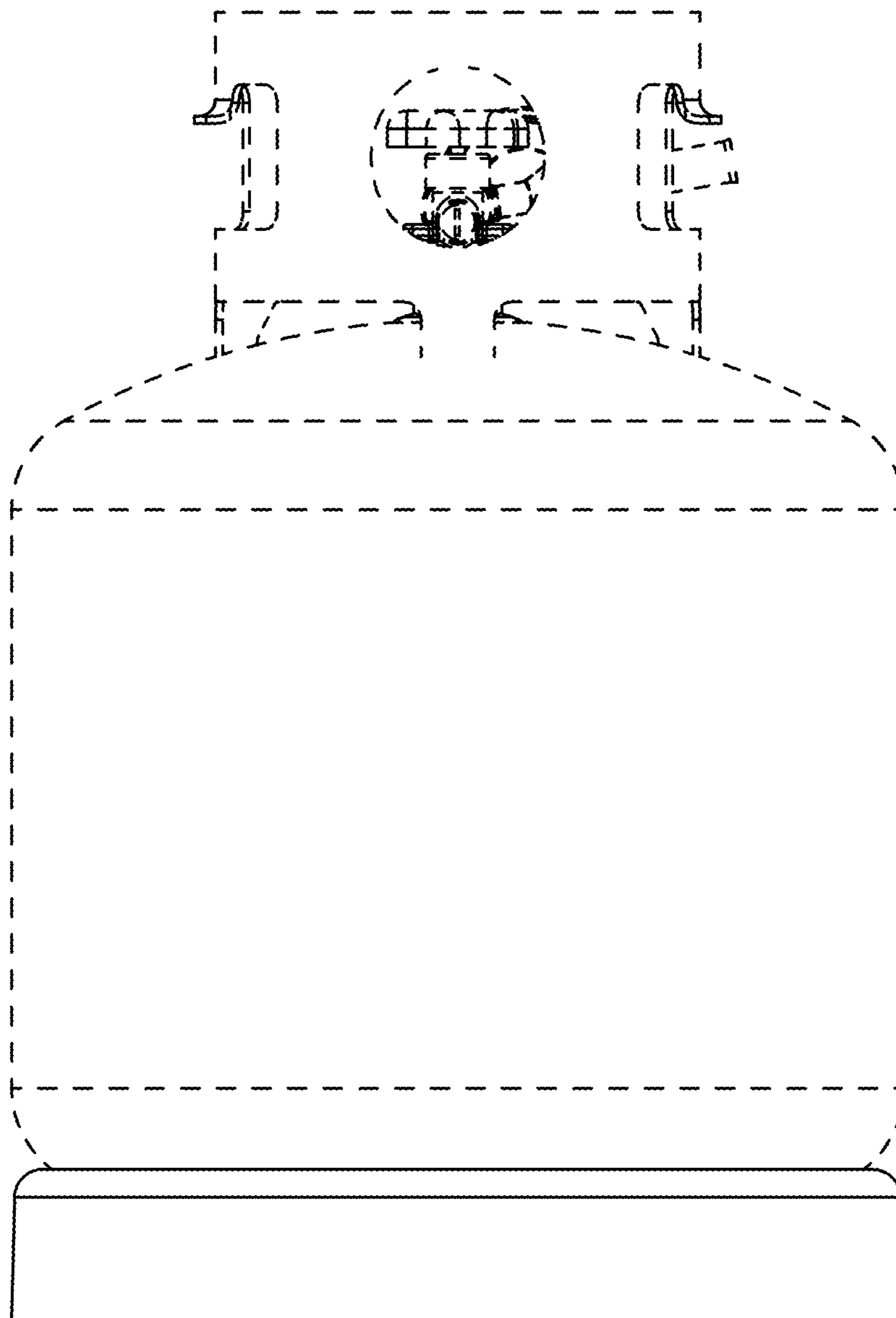


FIG. 13

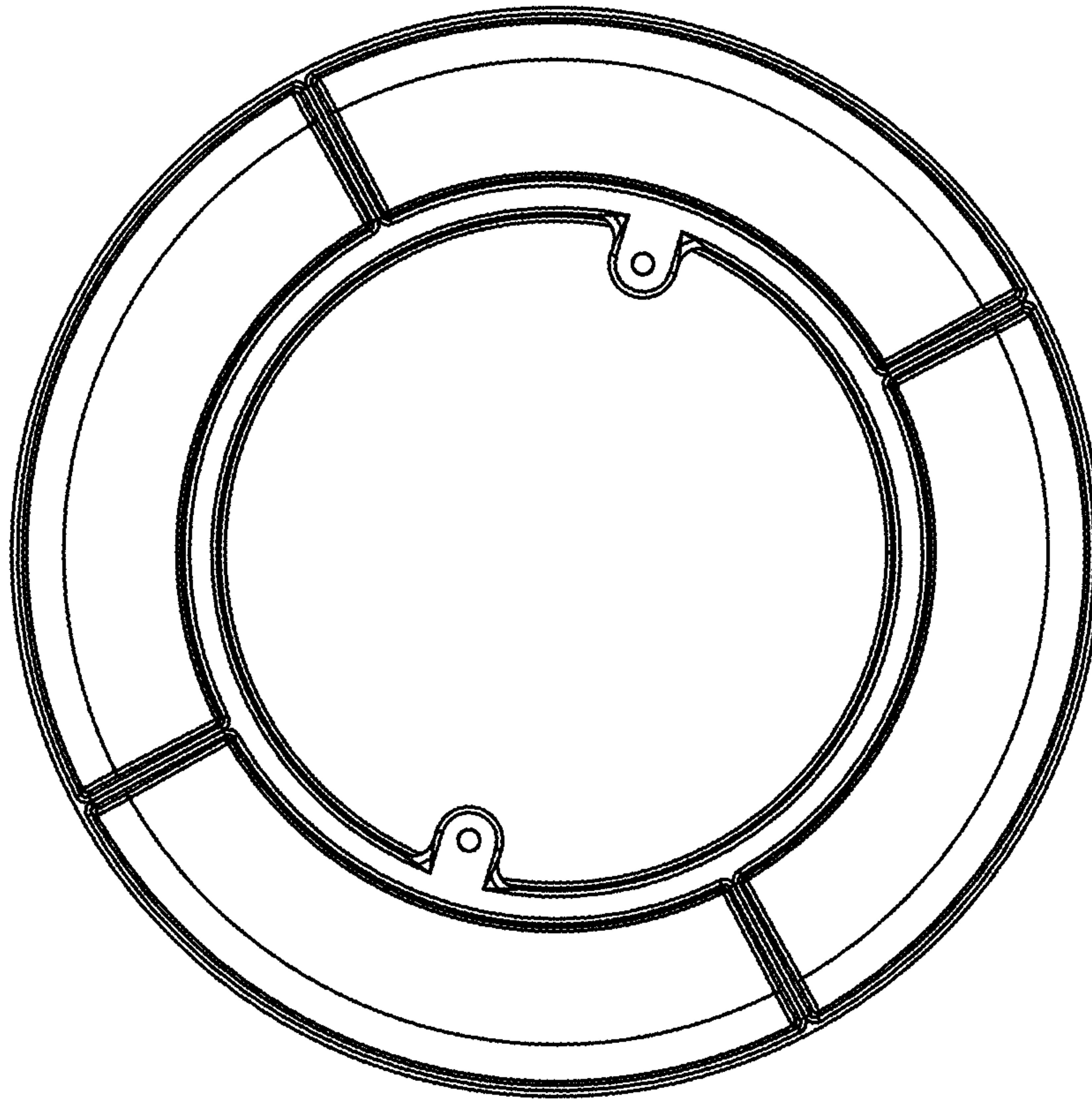


FIG. 14

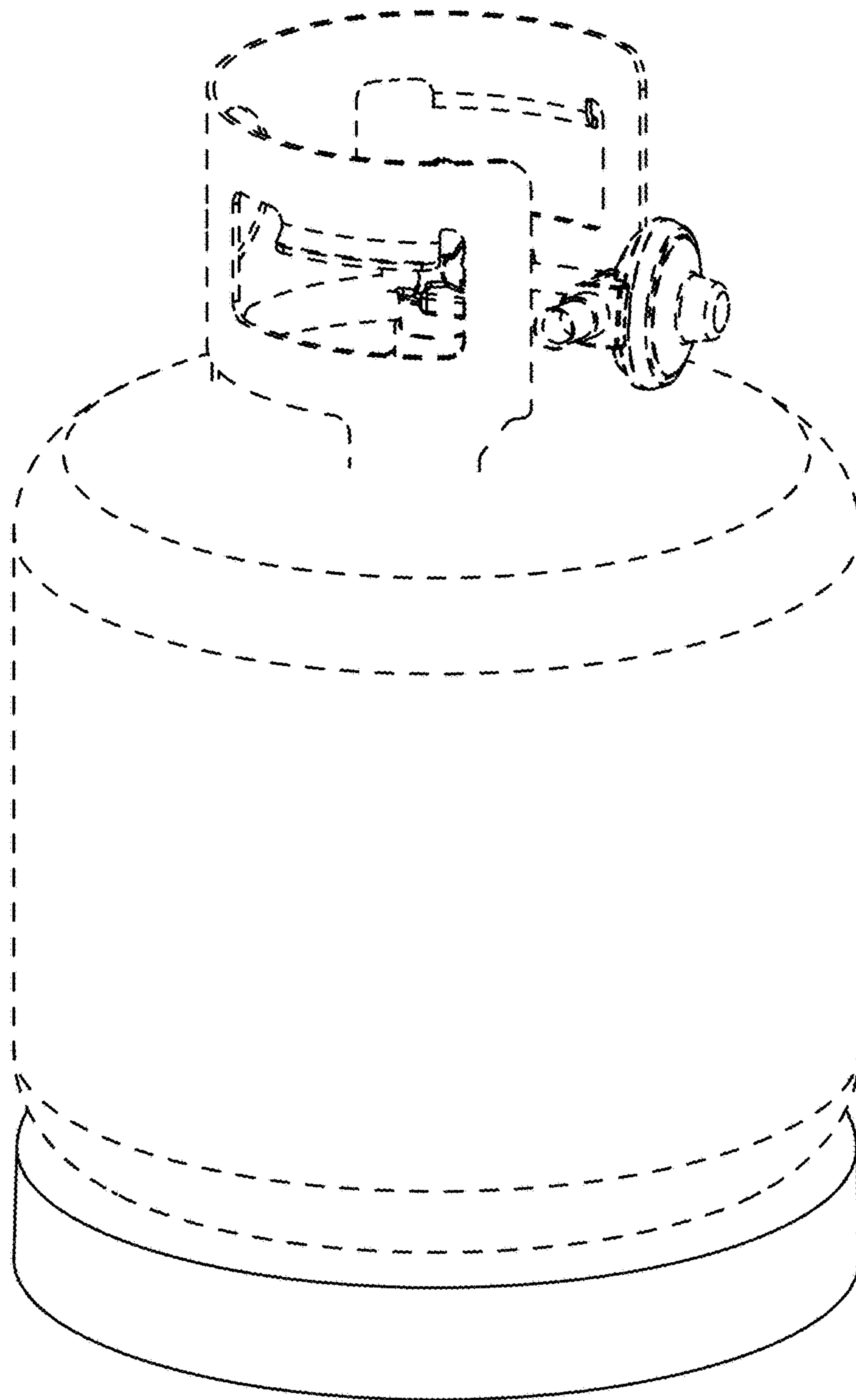


FIG. 15

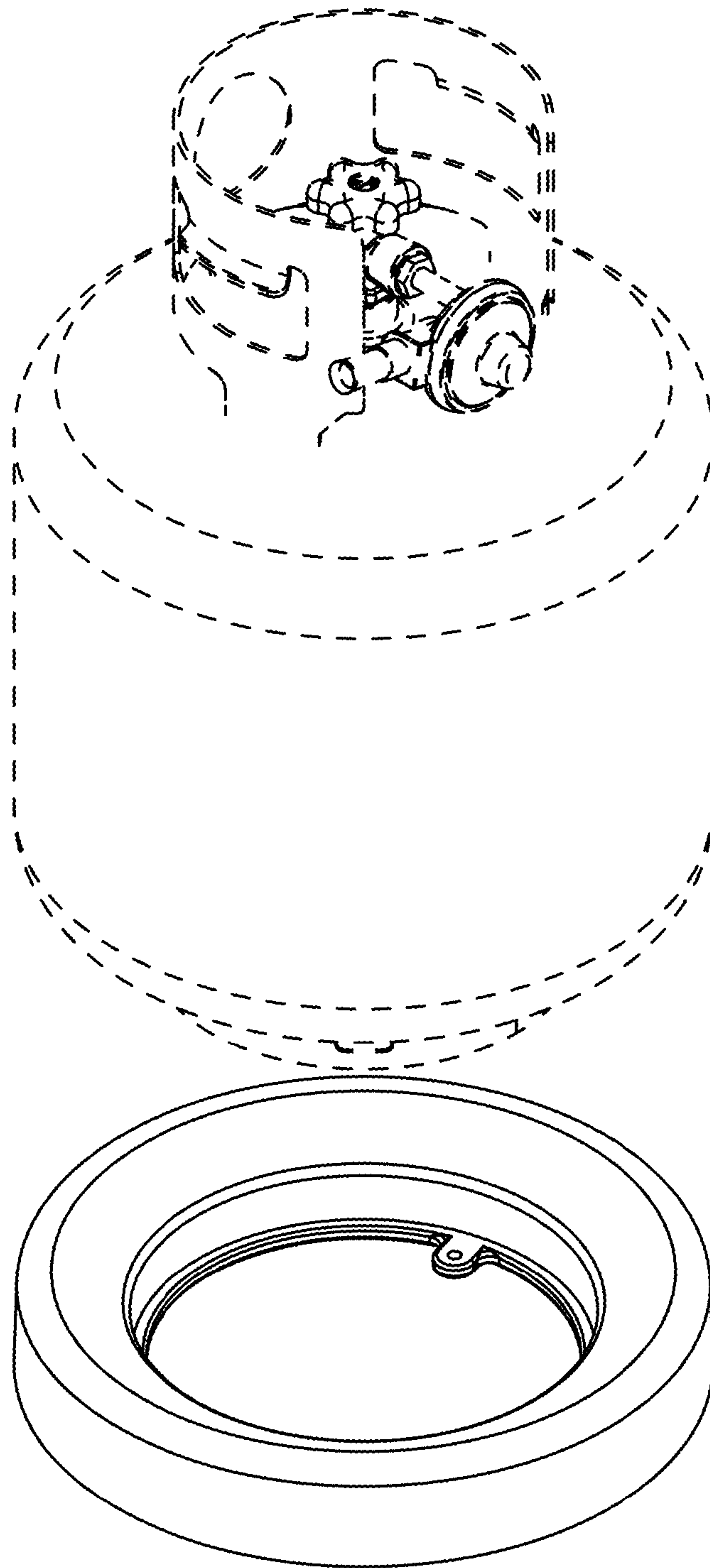


FIG. 16