



US00D794743S

(12) **United States Design Patent**
Goeckel

(10) **Patent No.:** **US D794,743 S**

(45) **Date of Patent:** **** Aug. 15, 2017**

(54) **FISHING HOOK STORAGE SYSTEM**

(71) Applicant: **Gregory W. Goeckel**, Ofallon, IL (US)

(72) Inventor: **Gregory W. Goeckel**, Ofallon, IL (US)

(**) Term: **15 Years**

(21) Appl. No.: **29/561,191**

(22) Filed: **Apr. 14, 2016**

(51) **LOC (10) Cl.** **22-05**

(52) **U.S. Cl.**
USPC **D22/134**

(58) **Field of Classification Search**

USPC D22/134, 144; 43/42.3, 43.4, 43.2, 43.6,
43/44.8, 43.16, 57.1; 206/315.11

CPC A01K 97/06

See application file for complete search history.

(56) **References Cited**

U.S. PATENT DOCUMENTS

| | | | | |
|---------------|---------|-------------|-------|------------|
| D35,656 S * | 2/1902 | Grigg | | D22/144 |
| 1,755,903 A * | 4/1930 | Townsend | | A01K 97/06 |
| | | | | 43/57.1 |
| 4,631,856 A * | 12/1986 | Born | | A01K 97/06 |
| | | | | 206/315.11 |
| 5,501,030 A * | 3/1996 | Markle, Jr. | | A01K 97/06 |
| | | | | 206/315.11 |
| 5,544,442 A * | 8/1996 | Perkins | | A01K 97/06 |
| | | | | 43/57.1 |
| D400,008 S * | 10/1998 | Liaklev | | D22/144 |
| D528,628 S * | 9/2006 | Duymaz | | D22/144 |

* cited by examiner

Primary Examiner — Catheri Oliver-Garcia

(74) *Attorney, Agent, or Firm* — Thomas E. Lees, LLC

(57) **CLAIM**

The ornamental design for a fishing hook storage system, as shown and described.

DESCRIPTION

FIG. 1 is a perspective view of a fishing hook storage system;

FIG. 2 is a front elevational view of the fishing hook storage system of FIG. 1;

FIG. 3 is a rear elevational view of the fishing hook storage system of FIG. 1;

FIG. 4 is a right elevational view of the fishing hook storage system of FIG. 1;

FIG. 5 is a left elevational view of the fishing hook storage system of FIG. 1;

FIG. 6 is a top plan view of the fishing hook storage system of FIG. 1;

FIG. 7 is a bottom plan view of the fishing hook storage system of FIG. 1;

FIG. 8 is a perspective view of a fishing hook storage system that can accommodate a handle;

FIG. 9 is a front elevational view of the fishing hook storage system of FIG. 8;

FIG. 10 is a rear elevational view of the fishing hook storage system of FIG. 8;

FIG. 11 is a right elevational view of the fishing hook storage system of FIG. 8;

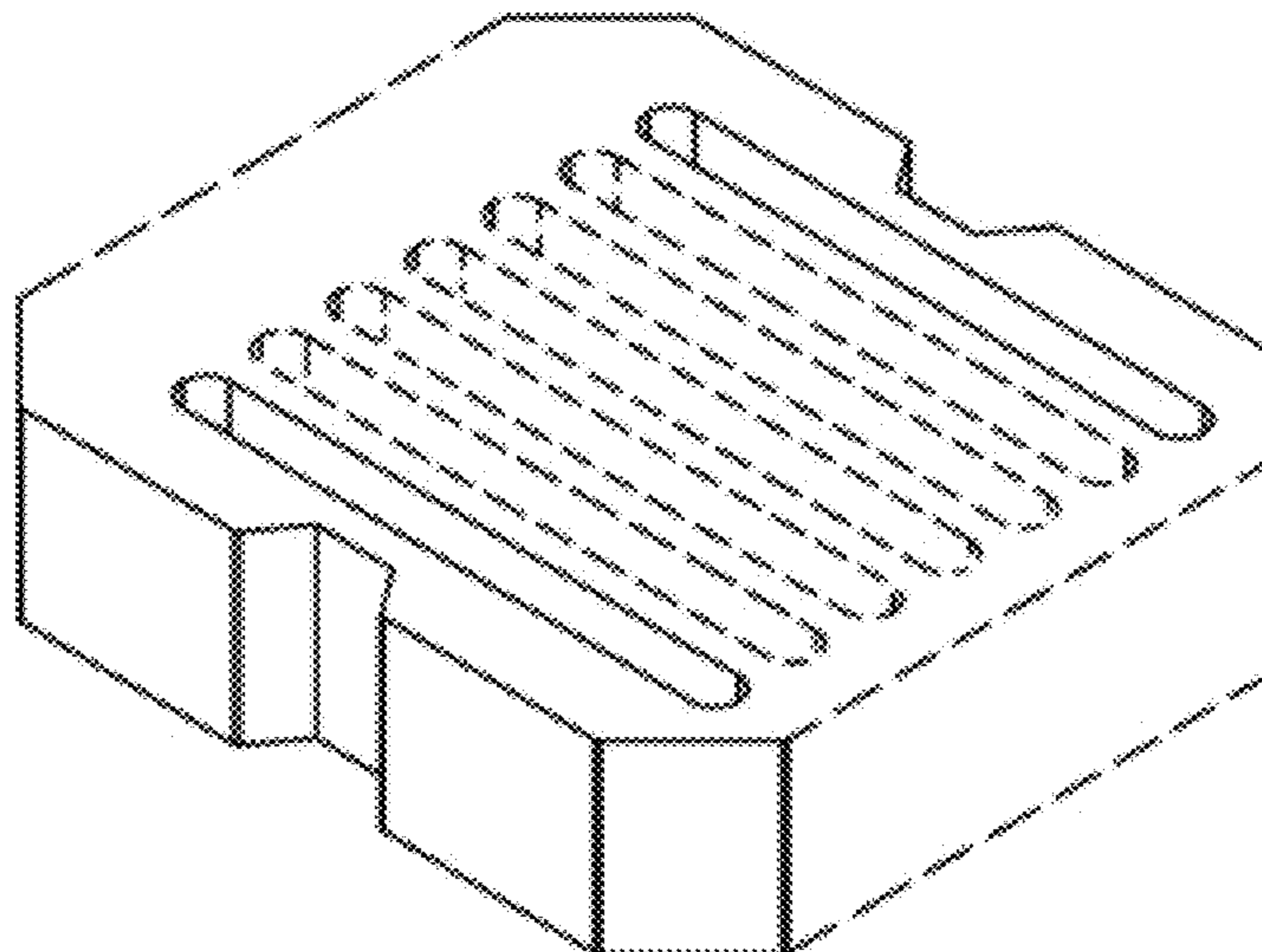
FIG. 12 is a left elevational view of the fishing hook storage system of FIG. 8;

FIG. 13 is a top plan view of the fishing hook storage system of FIG. 8; and,

FIG. 14 is a bottom plan view of the fishing hook storage system of FIG. 8.

The broken lines depict environmental structure and are included for the purpose of illustrating only and form no part of the claimed design.

1 Claim, 6 Drawing Sheets



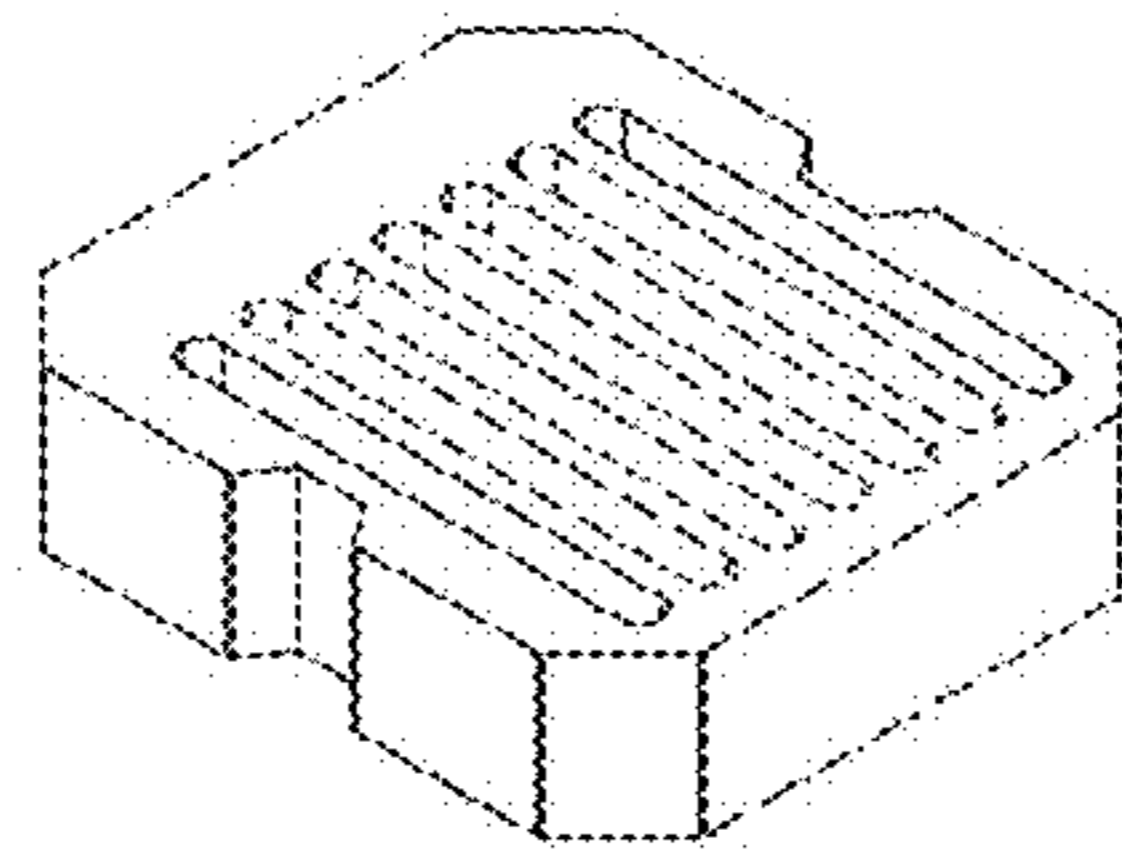


FIG. 1

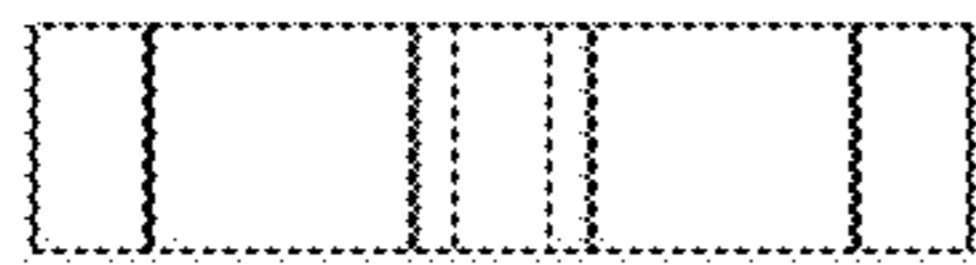


FIG. 2

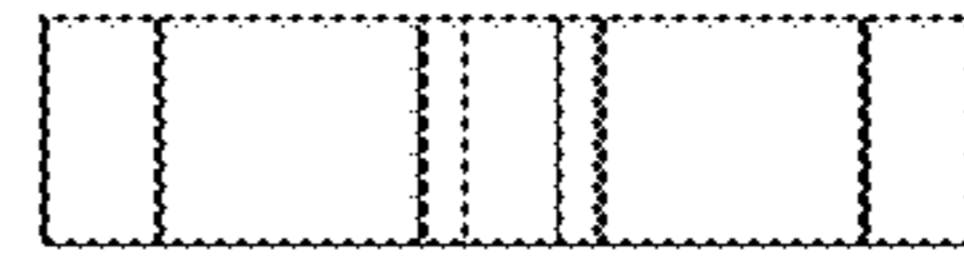


FIG. 3

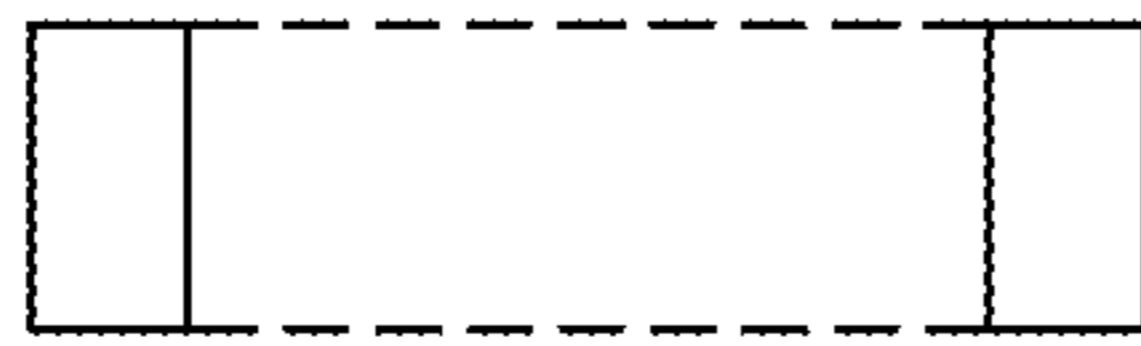


FIG. 4

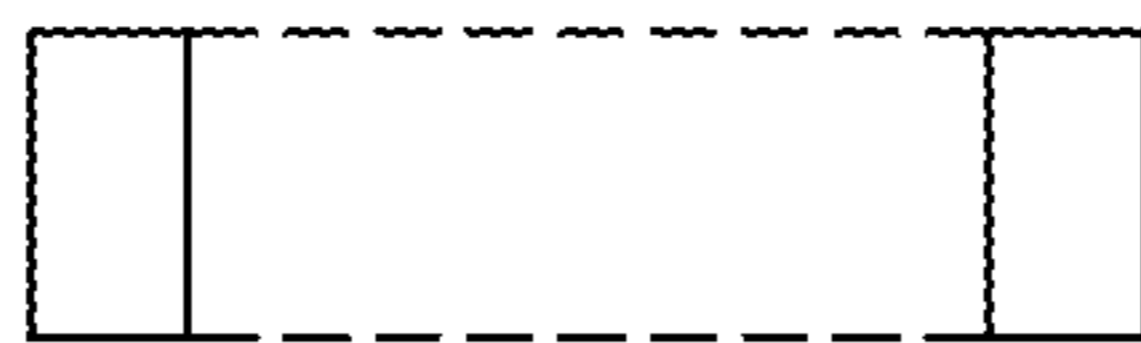


FIG. 5

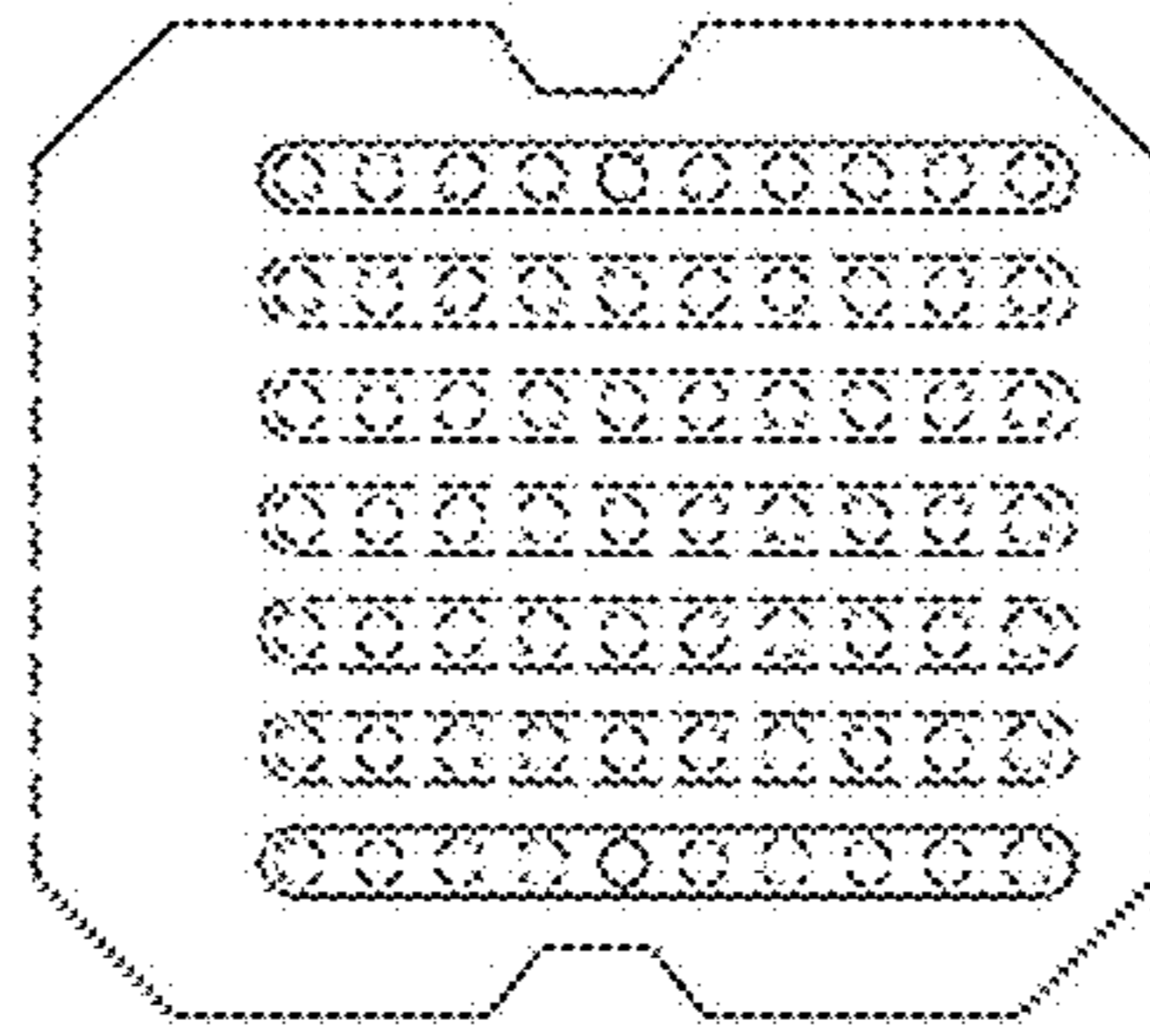


FIG. 6

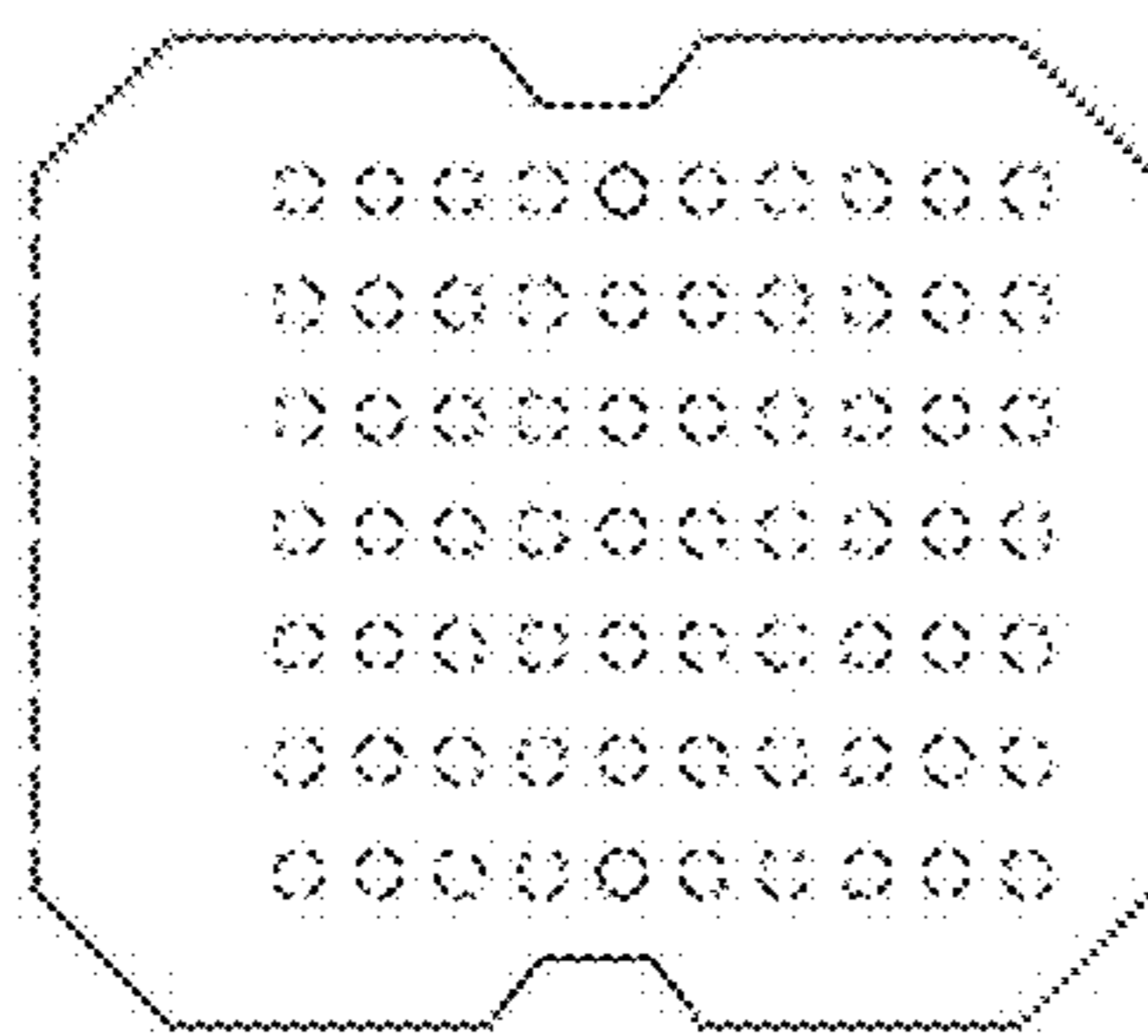


FIG. 7

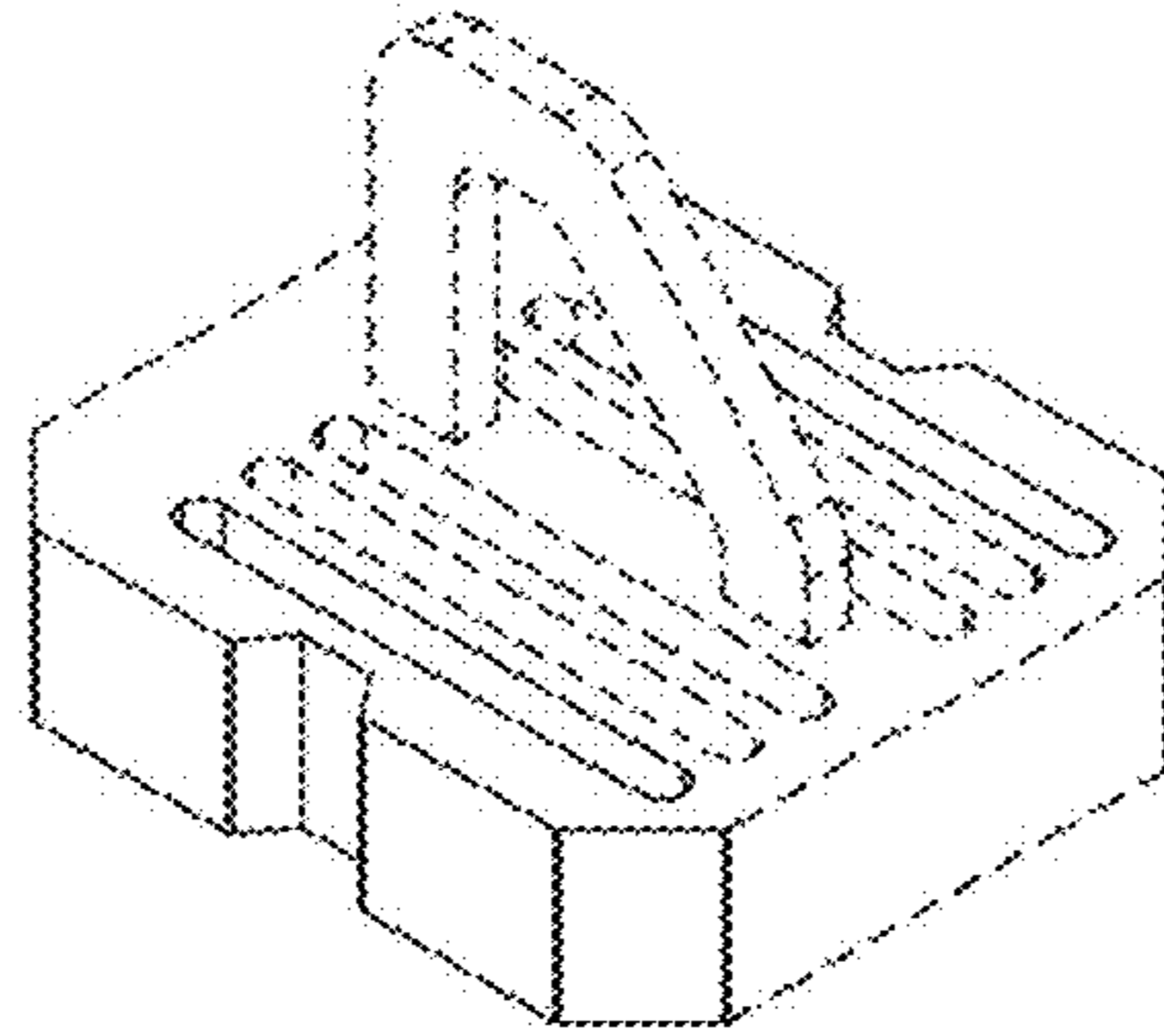


FIG. 8

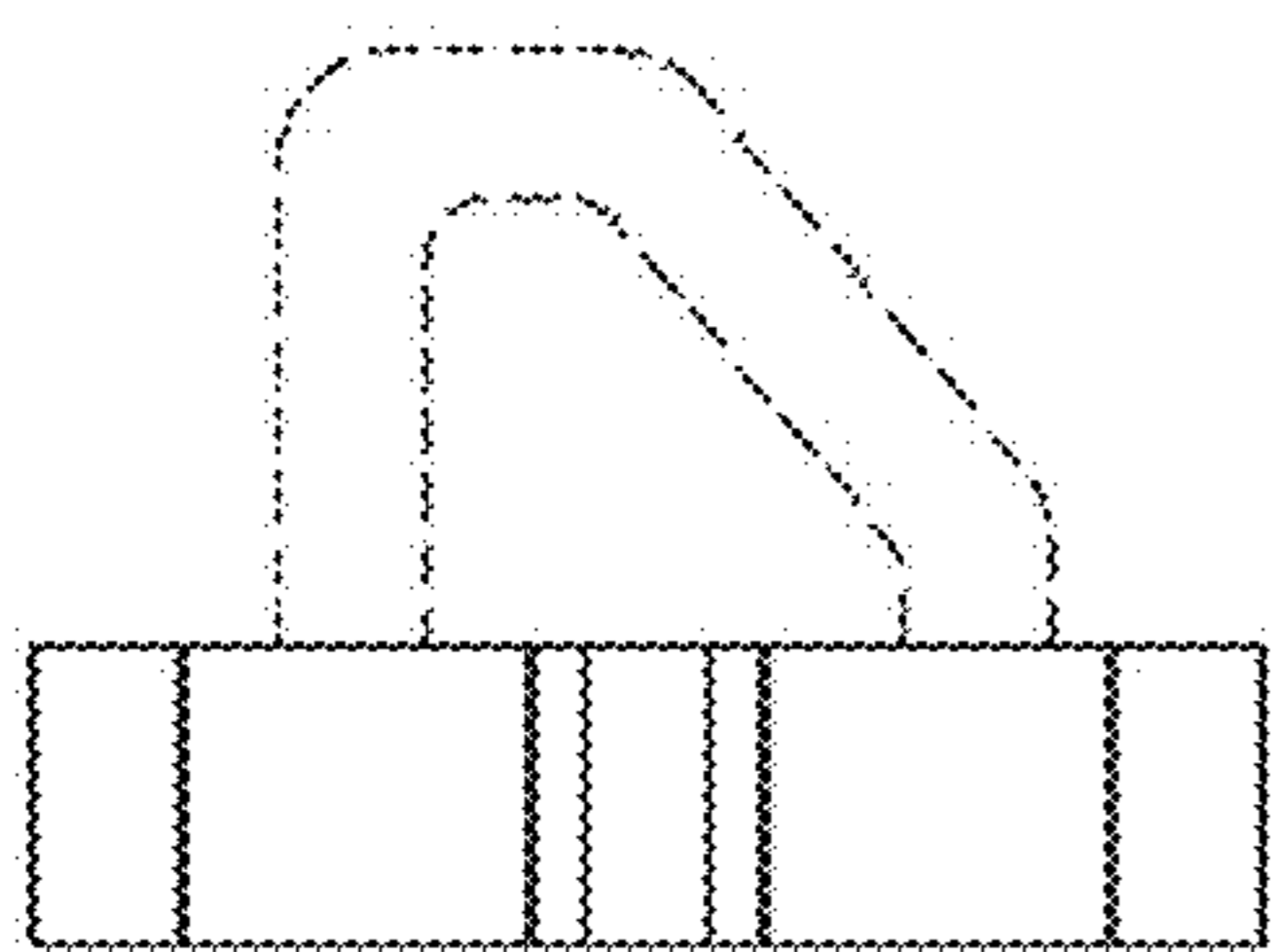


FIG. 9

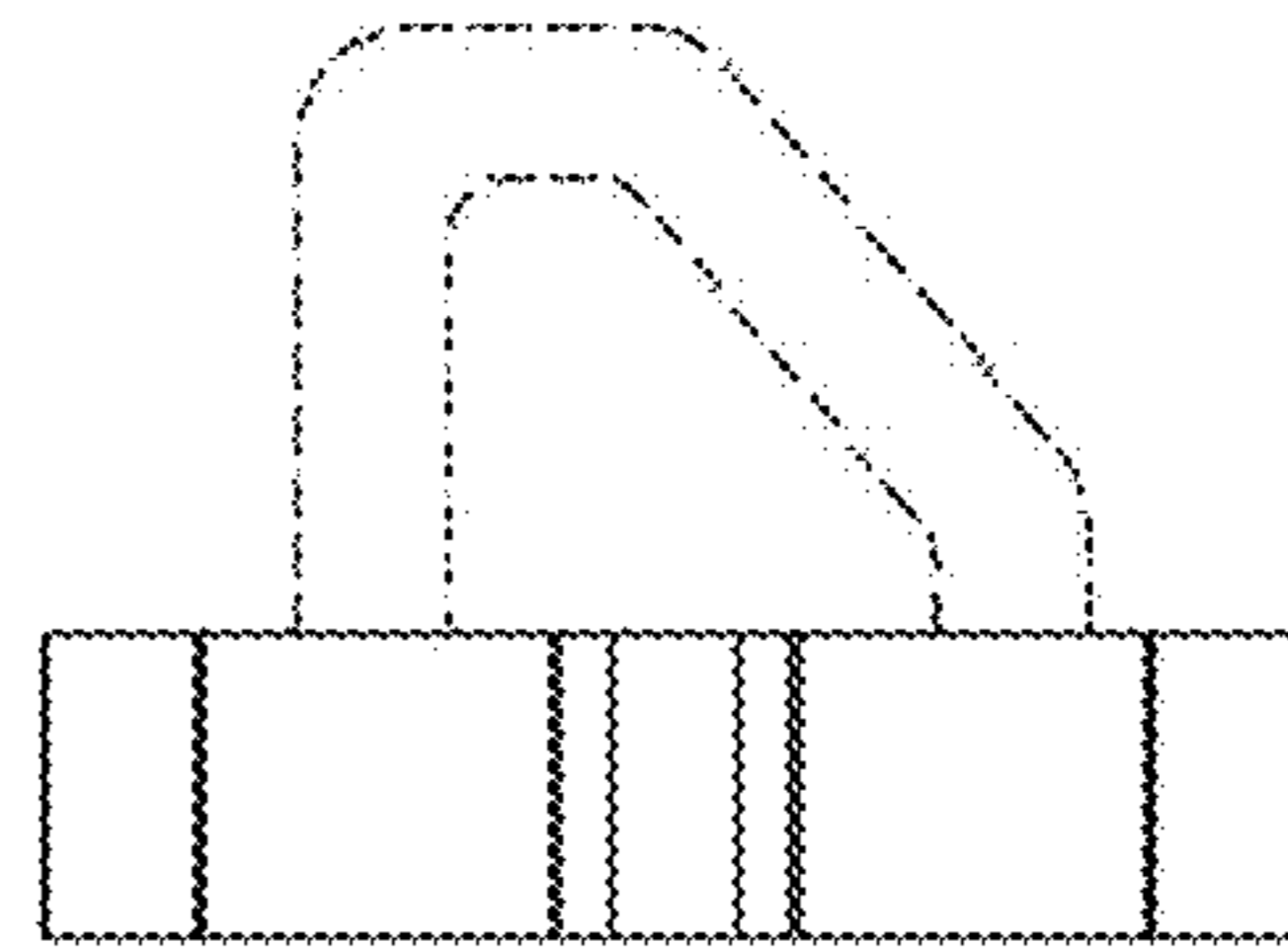


FIG. 10

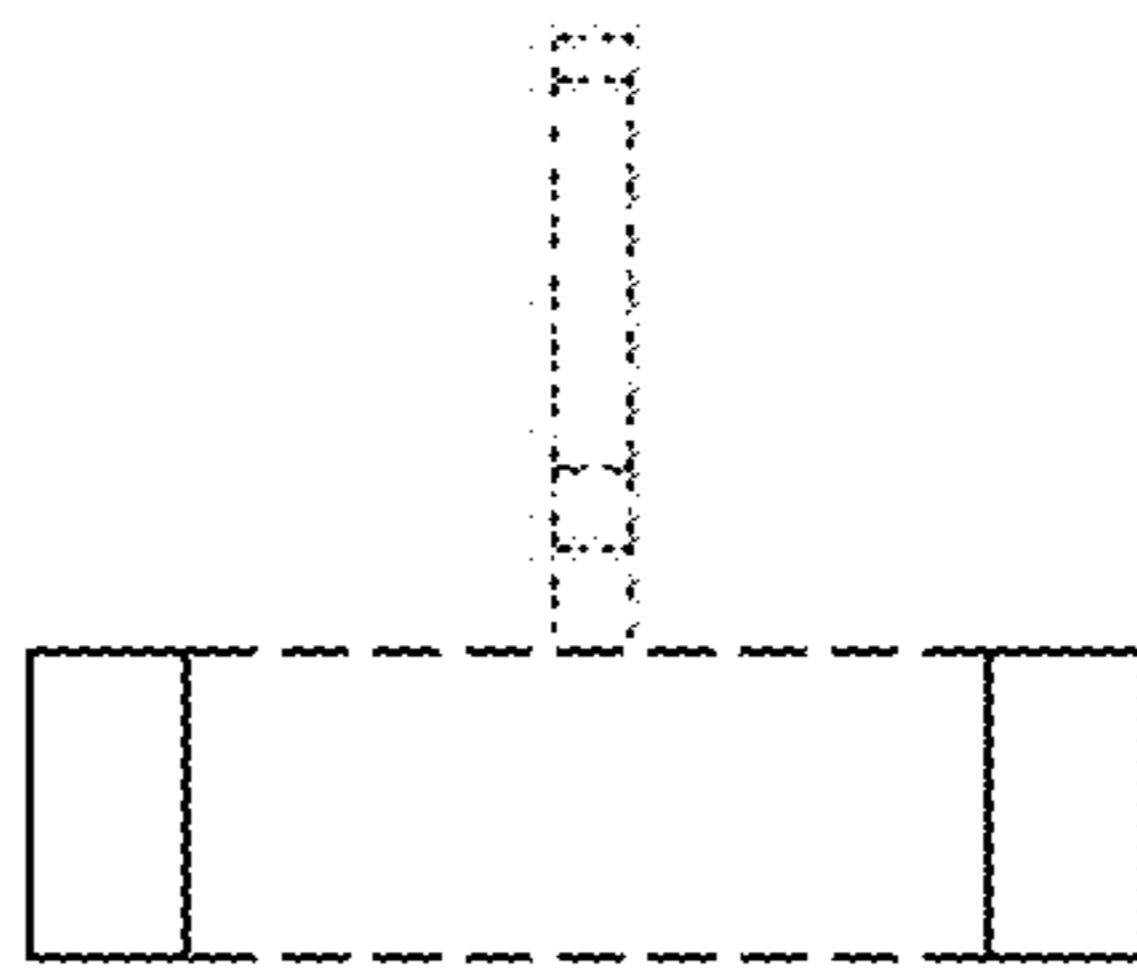


FIG. 11

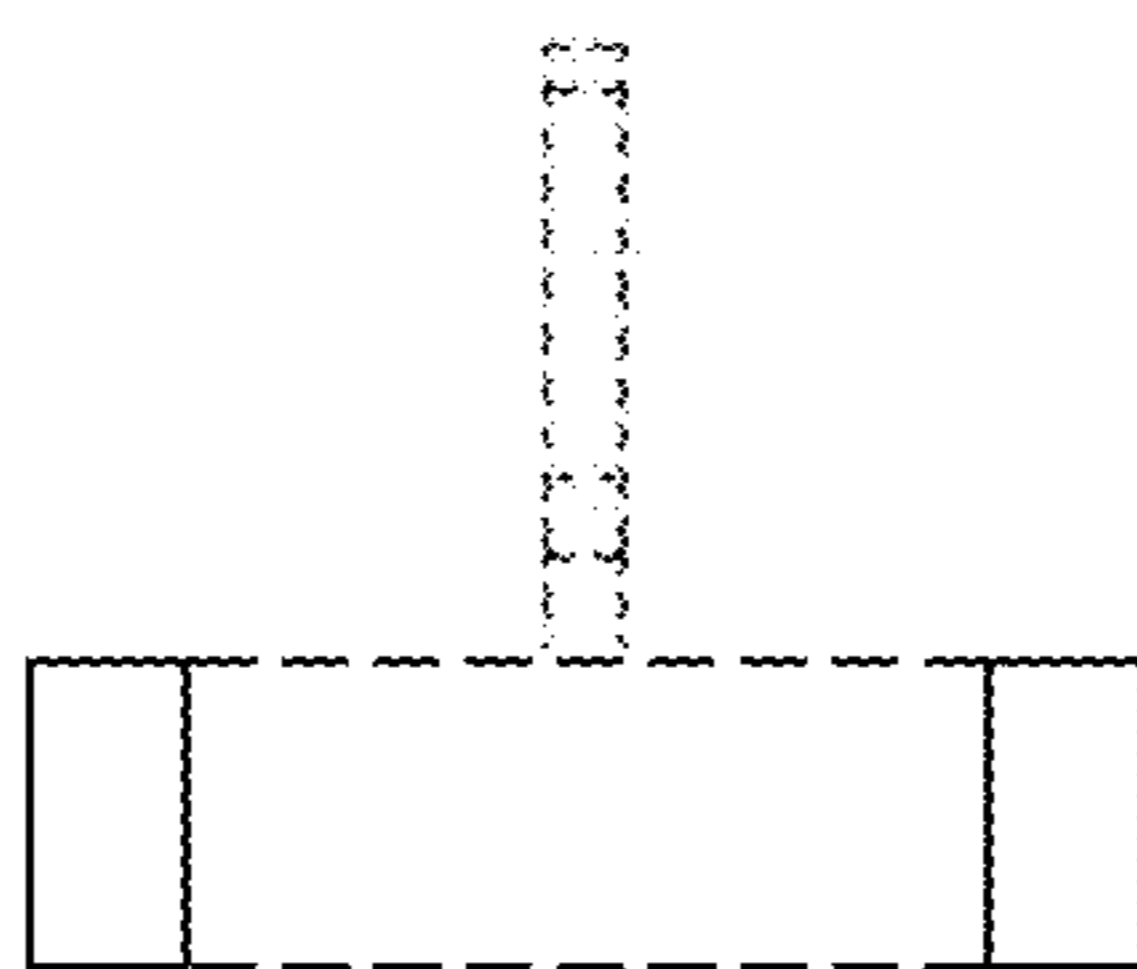


FIG. 12

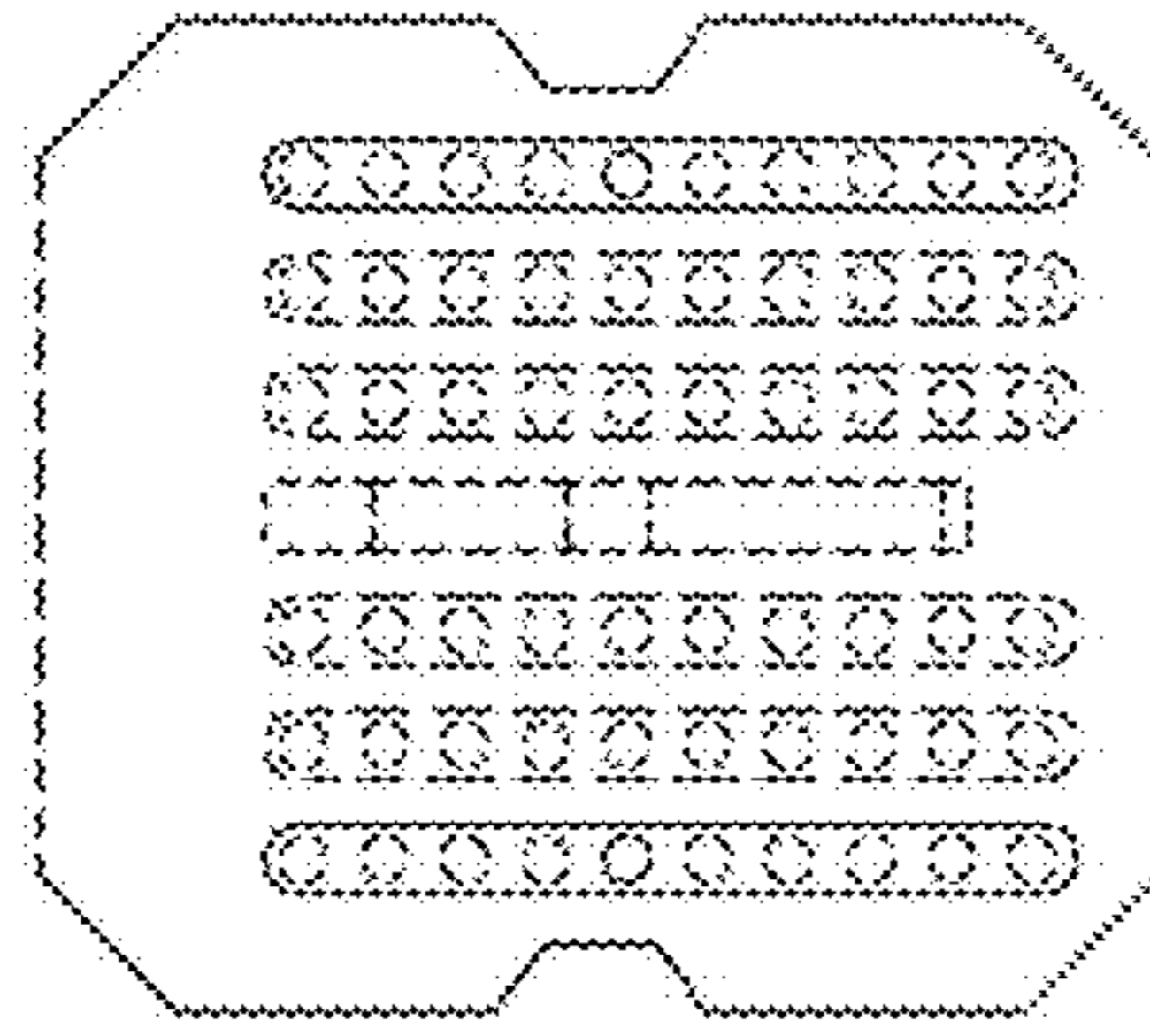


FIG. 13

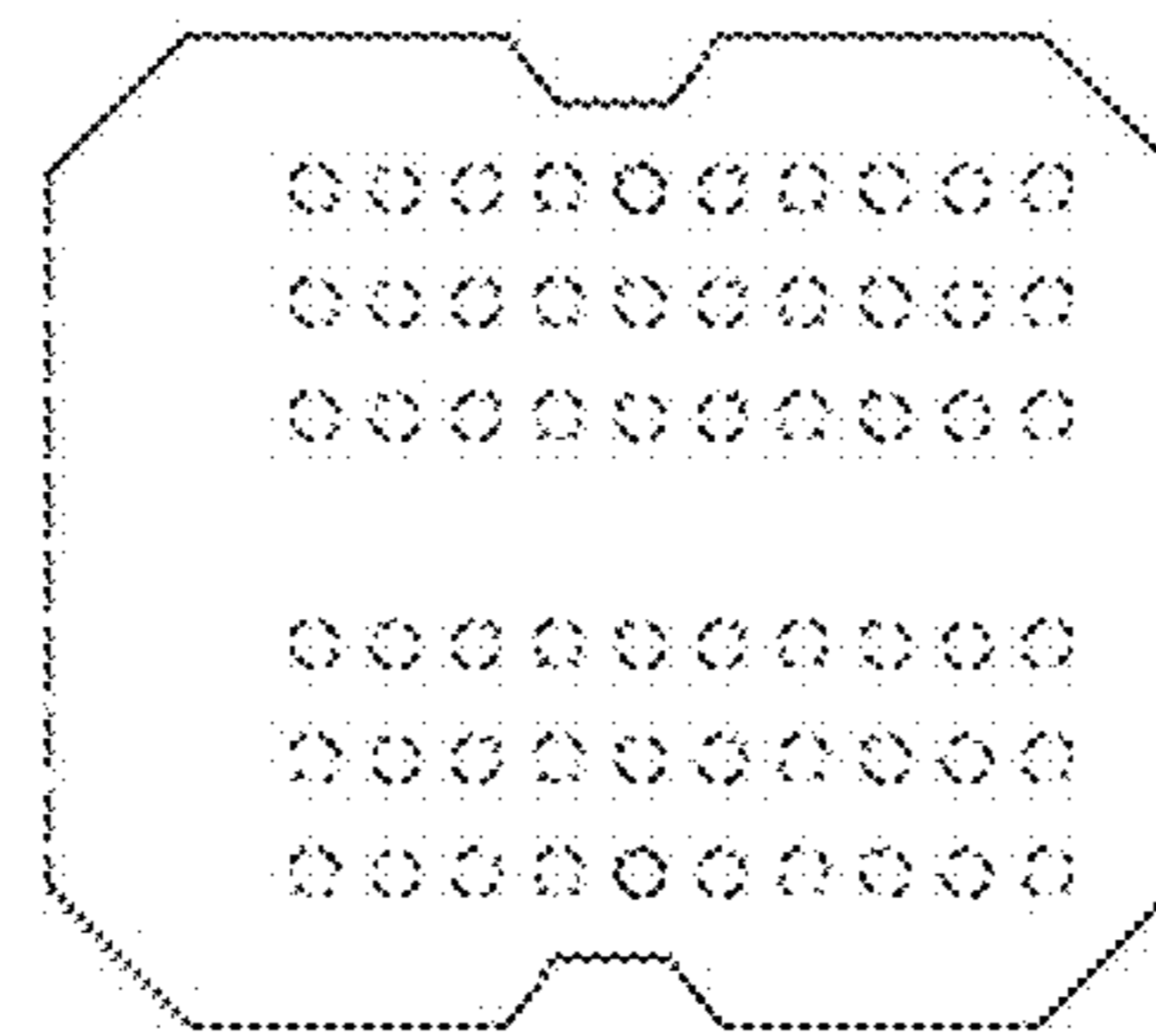


FIG. 14