



US00D794742S

(12) **United States Design Patent** (10) **Patent No.:** **US D794,742 S**
DiBona (45) **Date of Patent:** **** Aug. 15, 2017**

(54) **RODENT TRAP**
(71) Applicant: **Richard N. DiBona**, Greenville, SC (US)
(72) Inventor: **Richard N. DiBona**, Greenville, SC (US)
(**) Term: **15 Years**
(21) Appl. No.: **29/546,811**
(22) Filed: **Nov. 25, 2015**
(51) **LOC (10) Cl.** **22-06**
(52) **U.S. Cl.**
USPC **D22/119**
(58) **Field of Classification Search**
USPC D22/119, 120, 123, 199
CPC A01M 23/30
See application file for complete search history.

6,655,077 B1 * 12/2003 Trevino A01M 23/30
43/81
D611,559 S * 3/2010 Crider D22/119
7,757,429 B1 * 7/2010 Cambio A01M 23/30
43/81
9,131,676 B1 * 9/2015 Derman A01M 23/30
* cited by examiner

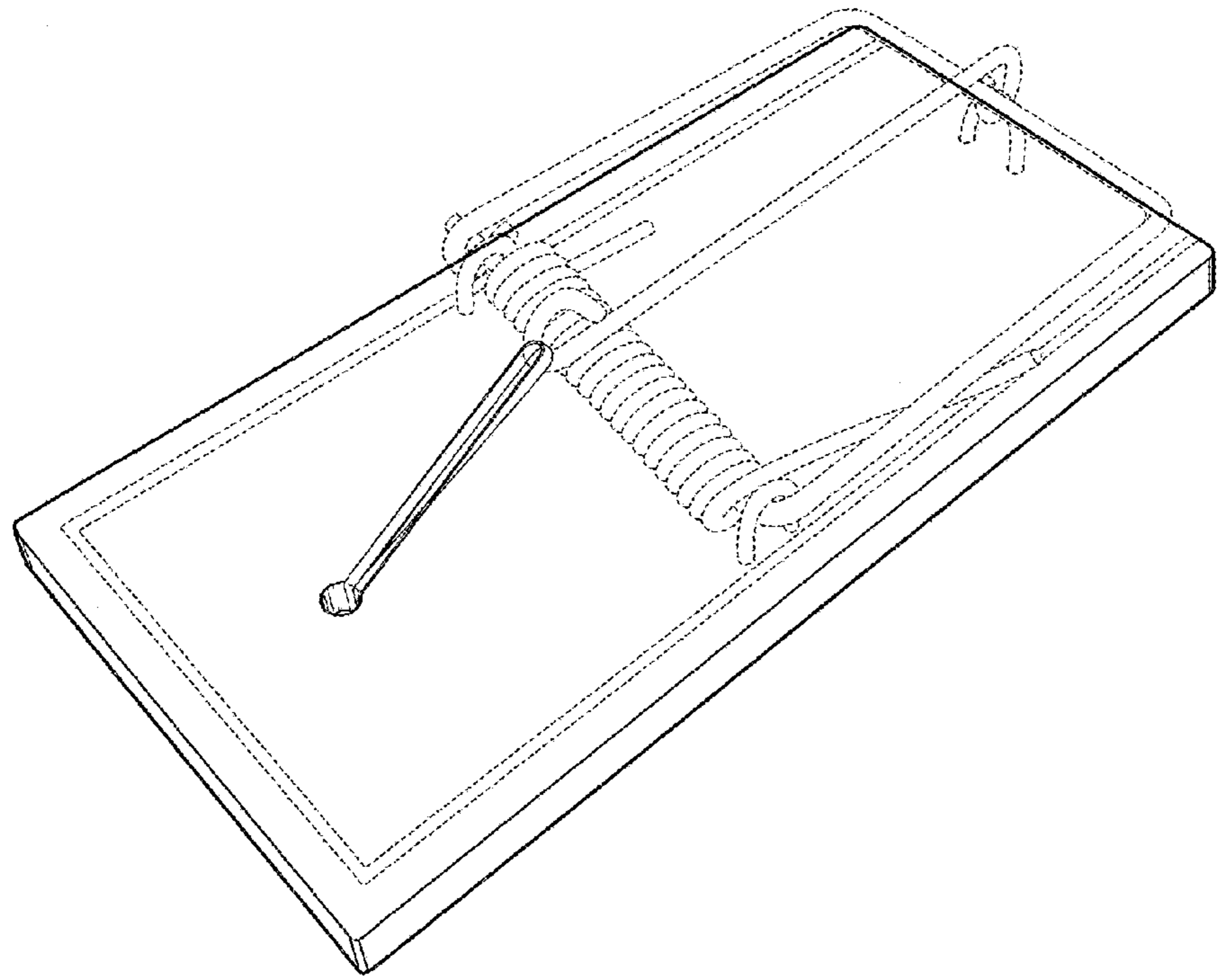
Primary Examiner — Manpreet Matharu
Assistant Examiner — Suzanne Tisdell
(74) *Attorney, Agent, or Firm* — John B. Hardaway, III;
Nexsen Pruet, LLC

(57) **CLAIM**
The ornamental design claim of a rodent trap, substantially as shown and described.

DESCRIPTION
FIG. 1 is a perspective view of an ornamental design for a rodent trap showing my new design;
FIG. 2 is a bottom view thereof;
FIG. 3 is a top view thereof;
FIG. 4 is a cross-sectional view through a plane at the center point thereof;
FIG. 5 is a right side view thereof;
FIG. 6 is a left side view thereof;
FIG. 7 is an end view thereof; and,
FIG. 8 is an opposite end view thereof.
Portions of the design shown in broken lines represent environmental subject matter and form no part of the claimed design.

(56) **References Cited**
U.S. PATENT DOCUMENTS
2,736,985 A 3/1956 Nickey
4,297,805 A * 11/1981 Kness A01M 23/30
43/83.5
4,403,438 A 9/1983 West-Harron
5,692,336 A * 12/1997 Fiore, Jr. A01M 23/34
43/85
5,899,016 A * 5/1999 Sygo A01M 23/30
43/62
6,137,415 A * 10/2000 Rast A01M 23/30
340/384.1

1 Claim, 5 Drawing Sheets



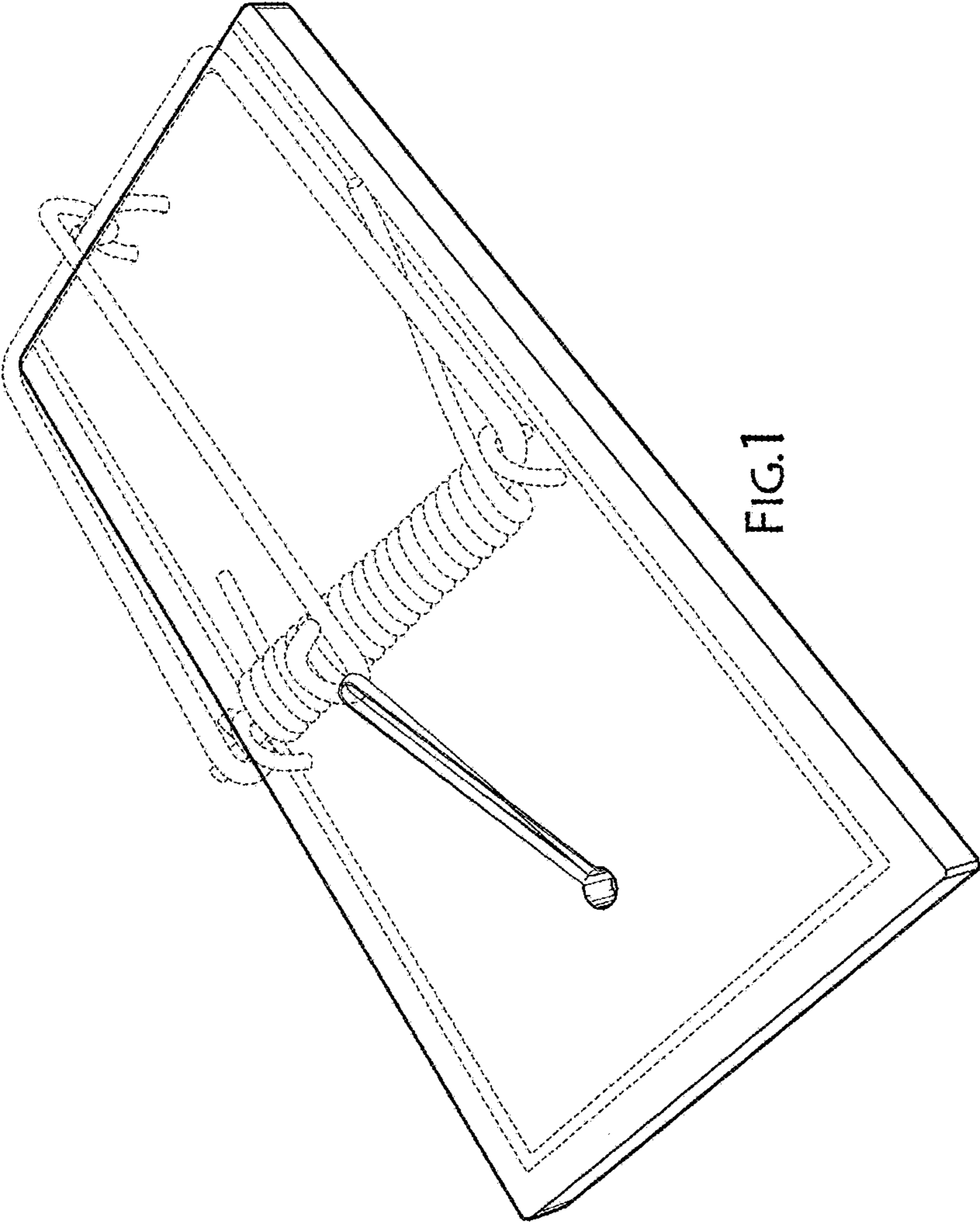


FIG. 1

FIG.2

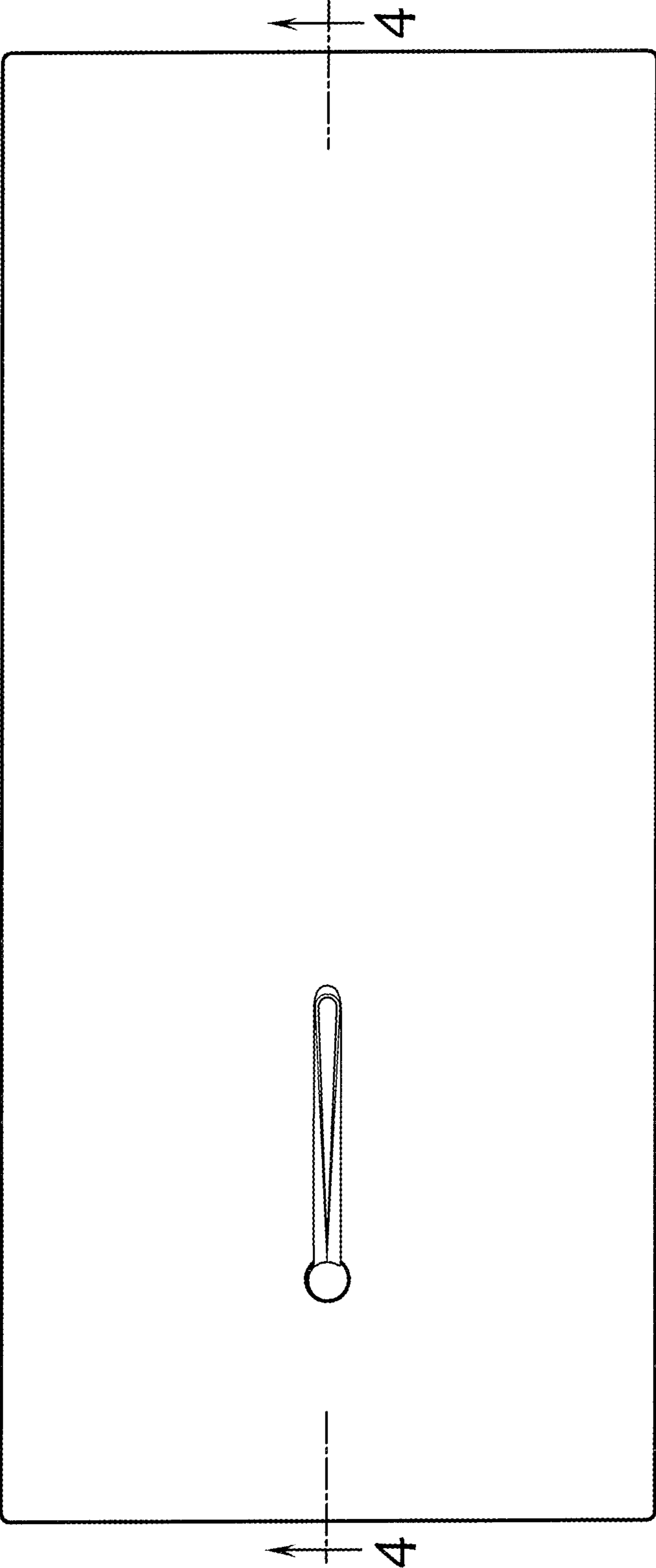
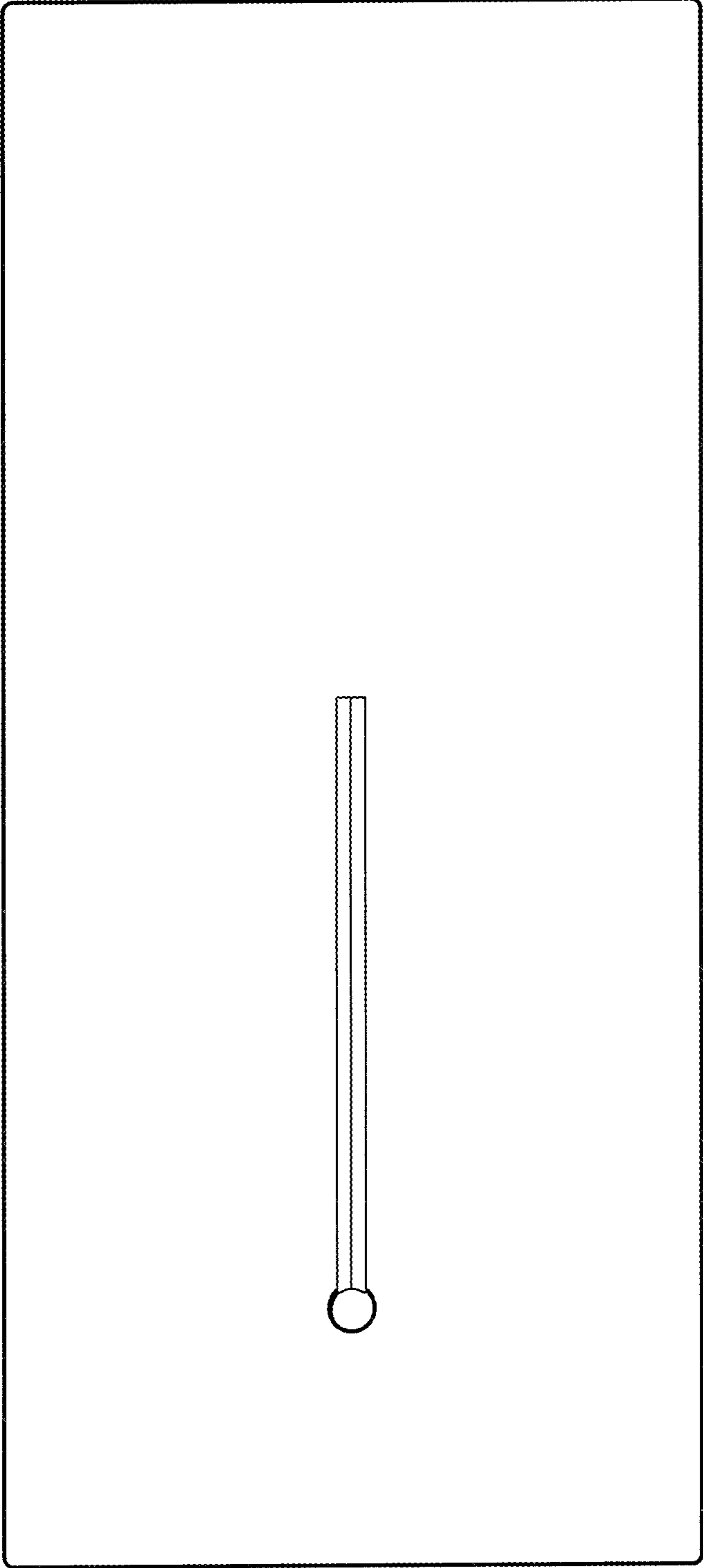
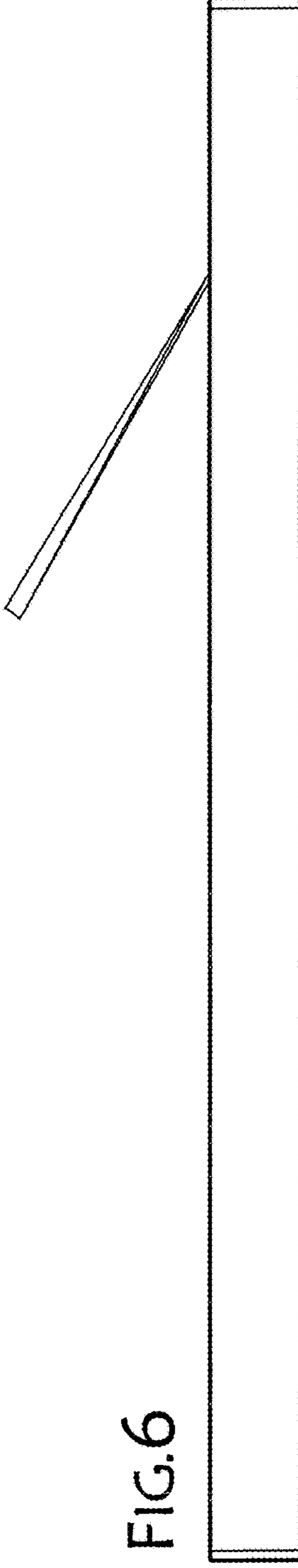
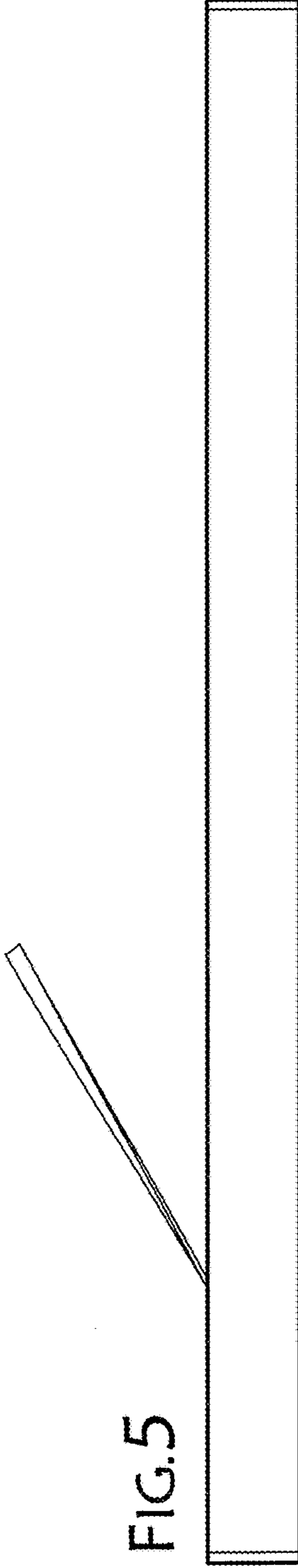
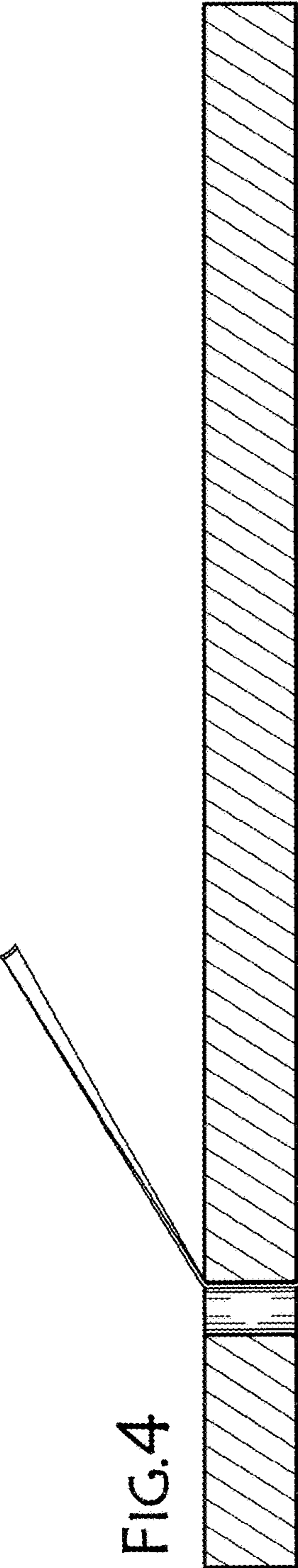


FIG.3





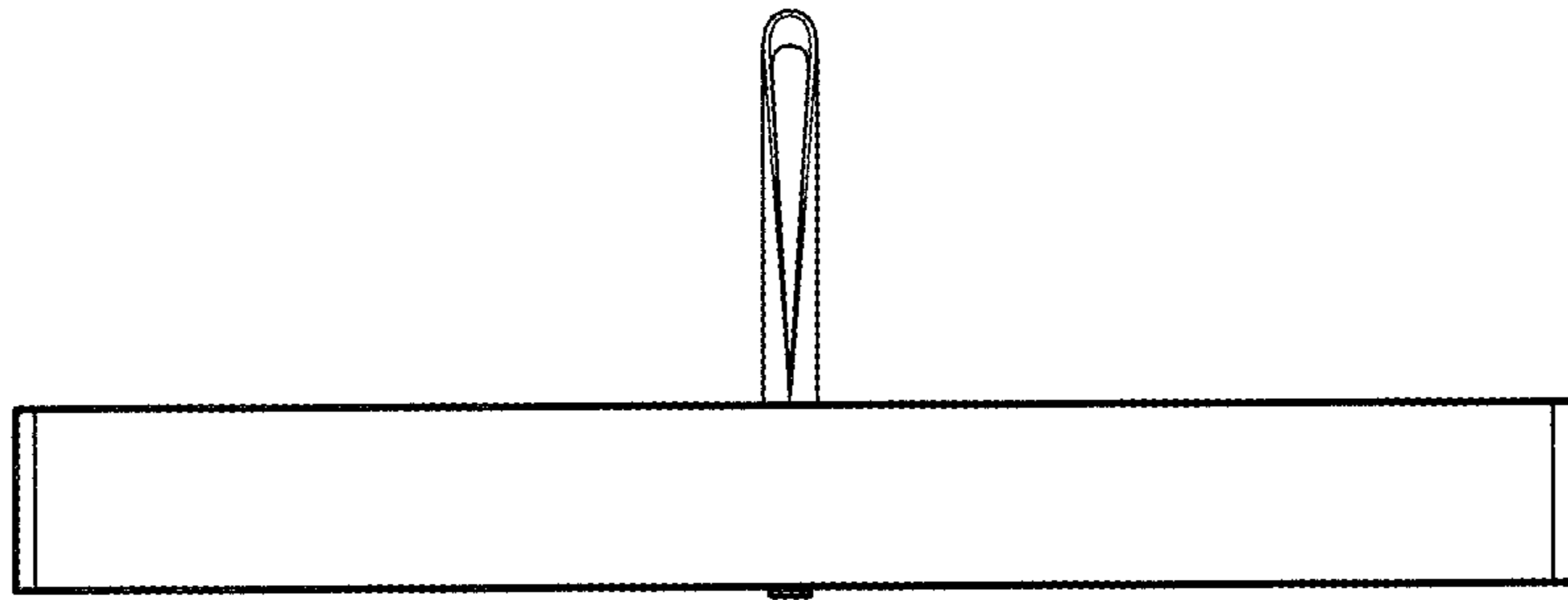


FIG. 7

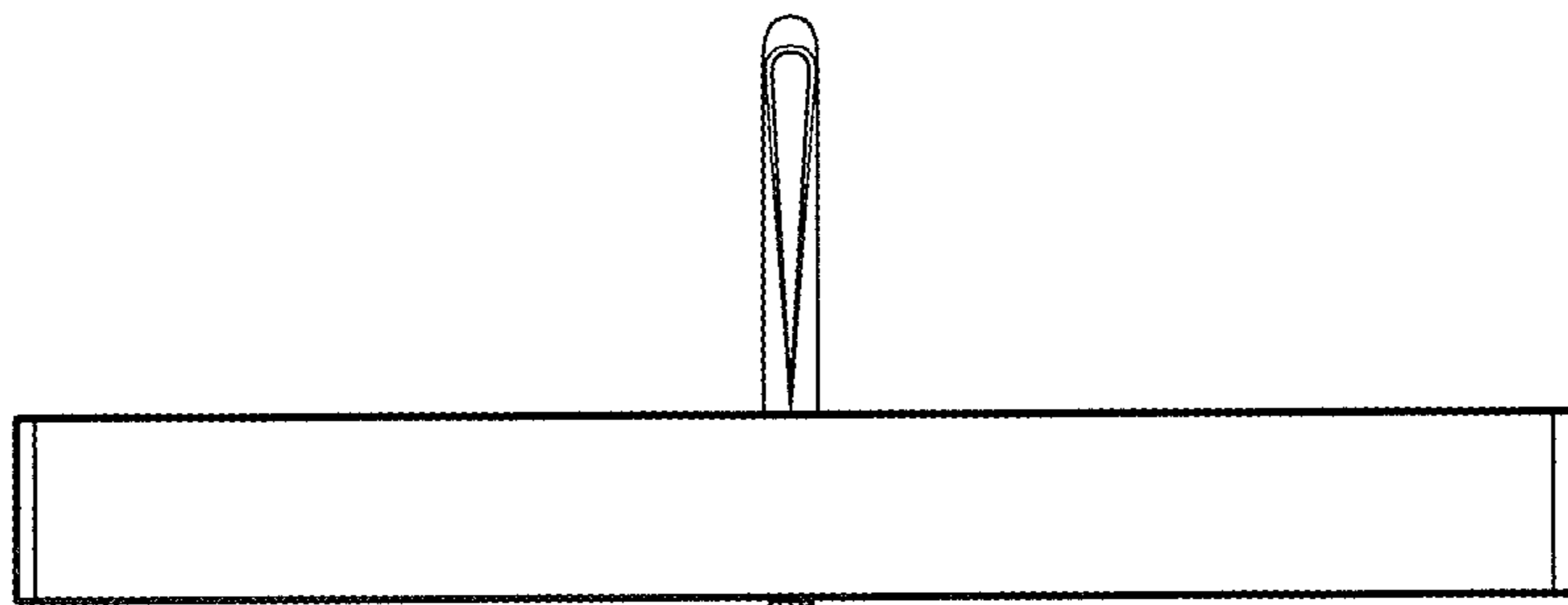


FIG. 8