



US00D794740S

(12) **United States Design Patent**
D'Alfonso

(10) **Patent No.:** **US D794,740 S**

(45) **Date of Patent:** **** Aug. 15, 2017**

(54) **BARREL FOR SUBMACHINE GUN**

D556,289 S 11/2007 Yu
7,418,797 B1 9/2008 Crose
D600,310 S 9/2009 Fitzpatrick et al.
(Continued)

(71) Applicant: **Sig Sauer, Inc.**, Newington, NH (US)

(72) Inventor: **Christopher B. D'Alfonso**, Exeter, NH (US)

(73) Assignee: **Sig Sauer, Inc.**, Newington, NH (US)

(**) Term: **15 Years**

(21) Appl. No.: **29/552,516**

(22) Filed: **Jan. 22, 2016**

(51) **LOC (10) Cl.** **22-01**

(52) **U.S. Cl.**
USPC **D22/108**

(58) **Field of Classification Search**
USPC D22/104, 105, 108, 109, 110, 111;
D21/573, 574; 42/7, 42.03, 76.01-76.1
CPC F41A 9/61; F41A 21/00; F41C 27/00
See application file for complete search history.

(56) **References Cited**

U.S. PATENT DOCUMENTS

2,424,194 A	7/1947	Sampson et al.
2,970,398 A	2/1961	Crouch
3,201,887 A	8/1965	Sedelow
3,369,316 A	2/1968	Miller
3,488,488 A	1/1970	Crouch
3,618,584 A	11/1971	Pigeon
4,512,236 A	4/1985	Thevis et al.
4,617,749 A	10/1986	Jurek
4,735,007 A	4/1988	Gal
D304,062 S	10/1989	Barrett
5,209,215 A	5/1993	Morrison
D344,124 S	2/1994	Cupp
D410,988 S	6/1999	Hines
5,983,774 A	11/1999	Mihaita
D477,855 S	7/2003	Selvaggio
6,839,998 B1	1/2005	Armstrong
D510,401 S	10/2005	Murello et al.

FOREIGN PATENT DOCUMENTS

CN 200968821 10/2007

OTHER PUBLICATIONS

NcSTAR AR-15Carbine Extended KeyMod Handguard, Sportsmansguide.com [online], [site visited Sep. 15, 2016]. <URL: <http://www.sportsmansguide.com/product/index/ncstar-ar-15-carbine-extended-keymod-handguard?a=1817641>>, 4 pages.

(Continued)

Primary Examiner — Karen S Acker

Assistant Examiner — S. Bryan Reinholdt, Jr.

(74) *Attorney, Agent, or Firm* — Finch & Maloney PLLC

(57) **CLAIM**

The ornamental design for a barrel for a submachine gun, as shown and described.

DESCRIPTION

FIG. 1 is a left elevation view of a barrel for a submachine gun showing the design;

FIG. 2 is a right elevation view thereof;

FIG. 3 is a front elevation view thereof;

FIG. 4 is a top plan view thereof;

FIG. 5 is a bottom plan view thereof; and,

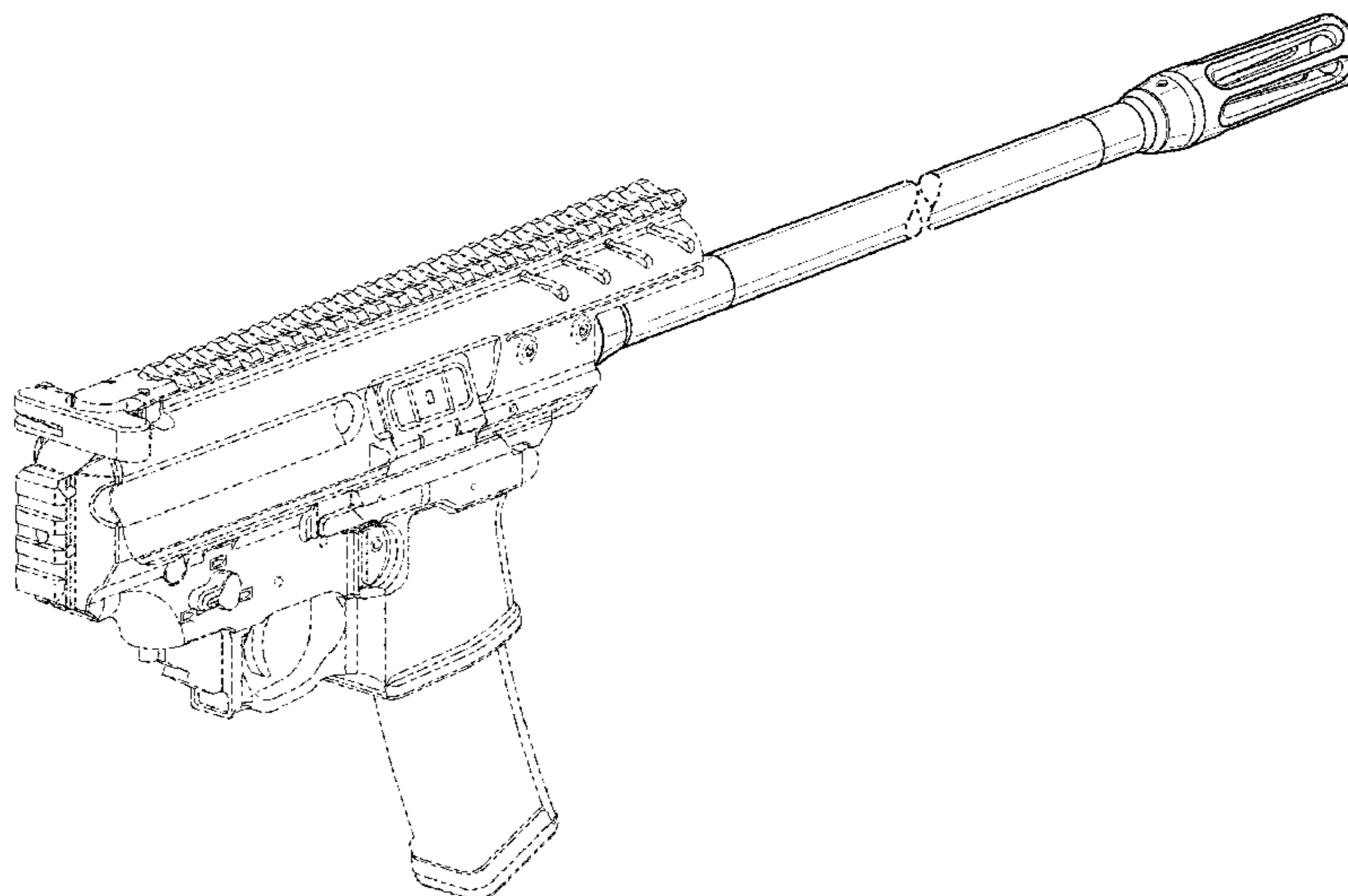
FIG. 6 is a rear perspective view thereof.

A rear elevation view has been omitted as it does not form a portion of the claimed invention.

Broken lines in the drawings showing a submachine gun are for the purpose of illustrating environmental structure and form no part of the claimed design.

The barrel includes a symbolic break along its length drawn in broken lines. The area between the break lines forms no part of the claimed design.

1 Claim, 5 Drawing Sheets



(56)

References Cited

U.S. PATENT DOCUMENTS

D606,155 S 12/2009 Swan
 D606,156 S 12/2009 Swan
 D606,614 S 12/2009 Fitzpatrick et al.
 D613,811 S 4/2010 Swan
 D622,802 S 8/2010 Fitzpatrick et al.
 7,793,452 B1 9/2010 Samson
 7,798,045 B1 9/2010 Fitzpatrick et al.
 7,827,722 B1 11/2010 Davies
 D636,044 S 4/2011 Larson et al.
 D636,048 S 4/2011 Larson et al.
 D639,376 S 6/2011 Ding
 7,966,761 B1 6/2011 Kuczynko et al.
 D641,062 S 7/2011 Faifer
 D641,450 S 7/2011 Ding
 D648,811 S 11/2011 En
 8,061,072 B1 11/2011 Crose
 8,091,265 B1 1/2012 Teetzel et al.
 8,109,026 B1 2/2012 Bentley et al.
 8,151,504 B1 4/2012 Aiston
 8,201,353 B1 6/2012 Swan
 8,245,429 B2 8/2012 Kuczynko et al.
 D671,184 S 11/2012 Larson et al.
 D674,859 S 1/2013 Robbins et al.
 8,397,419 B2 3/2013 Williams
 8,443,538 B1 5/2013 Moody
 8,448,366 B2 5/2013 Faifer
 8,522,467 B1 9/2013 Christensen et al.
 D692,084 S 10/2013 Eberle
 D692,086 S * 10/2013 Nierenberg D22/108
 D692,517 S 10/2013 Faifer
 D696,374 S 12/2013 Faifer
 8,631,601 B2 1/2014 Langevin
 D699,807 S 2/2014 Lee
 8,667,882 B1 3/2014 Larson et al.
 D702,792 S 4/2014 Burt et al.
 8,726,558 B1 5/2014 Nason
 D708,693 S 7/2014 Faxon
 D709,581 S * 7/2014 Langevin D22/108
 8,769,855 B2 7/2014 Law
 8,806,792 B2 8/2014 Yan et al.
 D714,413 S 9/2014 Kerbrat et al.
 8,844,185 B2 9/2014 Jarboe
 D716,403 S 10/2014 Burt et al.
 D717,907 S 11/2014 Montes
 D717,908 S 11/2014 Montes
 8,904,691 B1 12/2014 Kincel
 8,931,196 B1 1/2015 LaRue
 D723,128 S 2/2015 Hu
 D724,168 S 3/2015 Alis
 D724,169 S 3/2015 Emde et al.
 D724,171 S 3/2015 Trusty
 D724,688 S 3/2015 Hirt et al.
 D725,213 S 3/2015 Hirt
 D725,219 S 3/2015 Hirt et al.
 D725,220 S 3/2015 Hirt et al.
 9,015,980 B2 4/2015 Shull
 D731,023 S 6/2015 Hirt et al.
 D733,223 S 6/2015 Chu
 D736,886 S 8/2015 Cheng et al.
 D744,054 S 11/2015 Peterson et al.
 D744,056 S 11/2015 Jammet
 D746,399 S 12/2015 Folkestad et al.
 D748,218 S * 1/2016 Kera D22/108
 9,273,926 B2 3/2016 Wood et al.
 9,297,609 B2 3/2016 Burt
 9,389,043 B1 7/2016 Zhang
 D764,620 S 8/2016 Packard et al.
 9,404,714 B2 8/2016 Langevin et al.
 9,423,216 B2 8/2016 Cheng et al.
 9,453,701 B2 9/2016 Simek
 2005/0108915 A1 5/2005 Kincel
 2006/0242880 A1 11/2006 Griffin
 2008/0028662 A1 2/2008 Abraham
 2009/0282718 A1 11/2009 Bartley
 2010/0186276 A1 7/2010 Herring

2010/0319231 A1 12/2010 Stone et al.
 2011/0061281 A1 3/2011 Kapusta et al.
 2011/0099874 A1 * 5/2011 Zedrosser F41A 3/66
 42/73

2011/0283581 A1 11/2011 Freed
 2012/0017482 A1 1/2012 Chvala
 2012/0180354 A1 7/2012 Sullivan et al.
 2012/0198990 A1 8/2012 Brittin
 2013/0125442 A1 5/2013 Burress, Jr.
 2013/0276341 A1 10/2013 Wells et al.
 2014/0026459 A1 1/2014 Yan et al.
 2014/0033590 A1 2/2014 Gomez
 2014/0075816 A1 3/2014 Larson et al.
 2014/0115939 A1 5/2014 Troy et al.
 2014/0130390 A1 5/2014 Geissele
 2014/0196346 A1 7/2014 Grimshaw et al.
 2014/0260946 A1 9/2014 Gomez
 2015/0168096 A1 6/2015 Miller et al.
 2015/0192385 A1 7/2015 Krebs
 2015/0241160 A1 8/2015 McGinty
 2015/0316347 A1 11/2015 Shea et al.
 2016/0054096 A1 2/2016 Dzwil
 2016/0084612 A1 3/2016 Robinson et al.
 2016/0169617 A1 6/2016 Daley
 2016/0178316 A1 6/2016 Miller et al.
 2016/0223286 A1 8/2016 Storch

OTHER PUBLICATIONS

Sig Sauer Introduces MPX, P226 Airguns, Tom McHale, Apr. 14, 2015, tacretailer.com [online], [site visited Sep. 15, 2016], <URL: <http://tacretailer.com/2015/04/14/sig-sauer-introduces-mpx-p226-airguns/>>, 7 pages.
 MPX-P Pistol with SBX Pistol Stabilizing Brace, arnzenarms.com, [online], [site visited Sep. 15, 2016]. <URS: <http://arnzenarms.com/product/sig-sauer/self-defense/home-defense/home-defense-guns/home-defense-pistols/mpx-p-pistol-with-sbx-pistol-stabilizing-brace-9mm-8-inch-barrel-flip-up-sights-aluminum-keymod/>>, 6 pages.
 Sig Sauer MPX post, SIGForum, sigforum.com, posted Jul. 3, 2014, 11:25 PM, [online], [site visited Sep. 15, 2016], <URL: <http://sigforum.com/eve/forums/a/tpc/f/320601935/m/4610068653/p/2/>>, 6 pages.
 The SIG MPX Submachine Gun, Sig Sauer, Inc., Youtube.com, video published Apr. 9, 2015, [online], [site visited Sep. 15, 2016], <URL: <https://www.youtube.com/watch?v=Oc29poViVbg&feature=youtu.be.com>>, 1 page.
 Big Sauer MPX post, SigForum, sigforum.com, posted Jul. 3, 2014, 06:18 PM, [online], [site visited Sep. 15, 2016], <URL: <http://sigforum.com/eve/forums/a/tpc/f/320601935/m/4610068653/>>. 18 pages.
 Omega Mfg AR-15 KeyMod Free Float 15" Extended Rifle Length Handguard Rail, Omega Manufacturing, Inc., omegamanufacturinginc.com [online], [site visited Sep. 15, 2016], <URL: http://www.omegamanufacturinginc.com/Omega-Mfg-AR-15-Key-Mod-KeyMod-Free-Float-15-Extended-Rifle-Length-Handguard-Rail_p_518.html>, 3 pages.
 Sig Sauer X-Collapsible Stock for MCX MPX, Rainier Arms, [online], [site visited Sep. 30, 2016], <URL: <https://www.rainierarms.com/sig-sauer-x-collapsible-stock-for-mcx-mpx/>>, 2 pages.
 Stock, Folding, MPX, 1913 Interface, [online], [site visited Sep. 30, 2016], <URL: <https://www.bullzie.com/product/stock-folding-mpx=1913-interface/>>, 5 pages.
 Are these the new SIG 556 rifles for 2014?, Guns.com, by Max Slowik, posted Jan. 8, 2014, [online], [site visited Sep. 30, 2016], <URL: <http://www.guns.com/2014/01/08/new-sig-556-rifles-2014/>>, 8 pages.
 Does any know if they plan to produce this version?, SIGforum.com, posted by bhead, posted Jan. 2, 2016 03:08 PM, [online], [site visited Sep. 30, 2016], <URL: <http://sigforum.com/eve/forums/a/tpc/f/320601935/m/4610068653/p/87/>>, 12 pages.

(56)

References Cited

OTHER PUBLICATIONS

Collapsing/Telescoping Stock—MCX/MPX, SIG Sauer, SIG Store, [online], [site visited Sep. 30, 2016], <URL: <http://store.sigsauer.com/collapsing-telescoping-stock-mcx-mpx.html>>, 1 page.

SIG Sauer MPX (Update: Exclusive Non-NFA version P7), SIGforum, Found a picture with the folding stock, doesn't look half bad., posted by Andyb, posted Nov. 1, 2015 07:43 AM [online] [site visited Sep. 30, 2016], <URL: <http://sigforum.com/eve/forums/a/tpc/f/320601935/m/4610068653/p/55>>, 8 pages.

MDM—SIG Sauer, Soldier Systems, entry posted Wednesday, Sep. 23, 2015 at 20:05 [online], [site visited Sep. 30, 2016], <URL: <http://soldiersystems.net/2015/09/23/mdm-sig-sauer/>>, 2 pages.

Thin Folding Stock, MCX, MPX, 1913 Interface, SIG Sauer, SIG Store, [online], [site visited Sep. 30, 2016], <URL: <http://store.sigsauer.com/thin-folding-stock-mcx-mpx-1913-interface-7856.html>>, 1 page.

WTS: Sig Sauer MCX/MPX Side Folding Stock, AR15.com, posted by thanatos8541, posted Nov. 3, 2015 8:07:01 PM EDT, [online], [site visited Sep. 30, 2016], <URL: <https://www.ar15.com/archive/topic.html?b=7&f=47&t=1485416>>, 2 pages.

For Sale: Sig MPX folding stock, Armslist.com, registered on Sep. 21, 2015, [online], [site visited Sep. 30, 2016], <URL: <http://www.armslist.com/posts/4879553/st-louis-missouri-gun-parts-for-sale-sig-mpx-folding-stock>>, 1 page.

Telescoping/Folding Stock for the SIG MPX and SIG MCX, SIG Sauer, Inc., Youtube, published on Dec. 11, 2015, [online], [site visited Sep. 30, 2016], <URL: <https://www.youtube.com/watch?v=4nayEomcEKg&feature=youtu.be>>.

SIG Sauer Telescoping/Folding Stock, MCX, MPX, BLK, SIG Sauer, SIG Store, [online], [site visited Sep. 30, 2016], <URL: <http://store.sigsauer.com/sig-sauer-side-folding-and-telescoping-stock-mcx-mpx.html>>, 1 page.

MDM—SIG Sauer, Soldier Systems, entry posted Wednesday, Sep. 23, 2015 at 20:05, [online], [site visited Sep. 30, 2016], <URL: <http://soldiersystems.net/2015/09/23/mdm-sig-sauer/>>, 2 pages.

Here's what I received today. Definitely not the original stock they listed., SIGforum.com, posted by bhead, posted Jan. 2, 2016 02:57 PM, [online], [site visited Sep. 30, 2016]. <URL: <http://sigforum.com/eve/forums/a/tpc/f/320601935/m/4610068653/p/87>>, 12 pages.

Design U.S. Appl. No. 29/551,645, titled "Submachine Gun", filed Jan. 15, 2016.

Design U.S. Appl. No. 29/551,736, titled "Hand Guard for Submachine Gun", filed Jan. 15, 2016.

Design U.S. Appl. No. 29/551,737, titled "Stock for Submachine Gun", filed Jan. 15, 2016.

Design U.S. Appl. No. 29/551,739, titled "Folding Stock for Submachine Gun", filed Jan. 15, 2016.

Design U.S. Appl. No. 29/551,745, titled "Adjustable Folding Stock for Submachine Gun", filed Jan. 15, 2016.

* cited by examiner

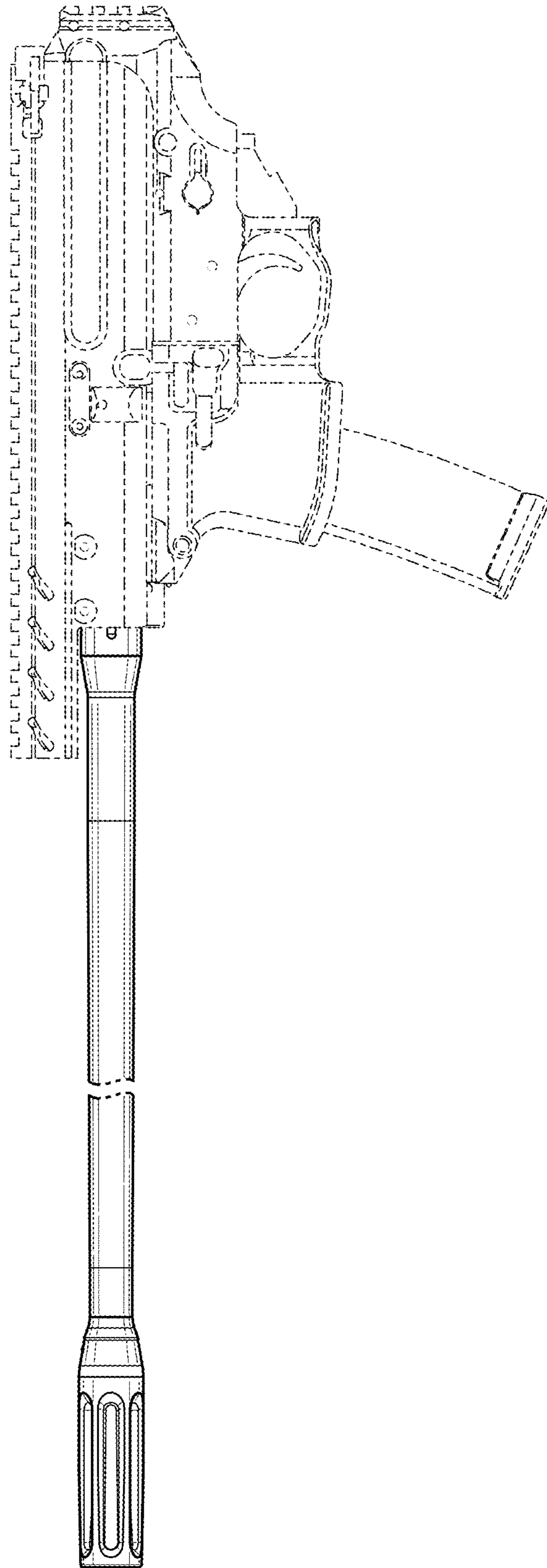


FIG. 1

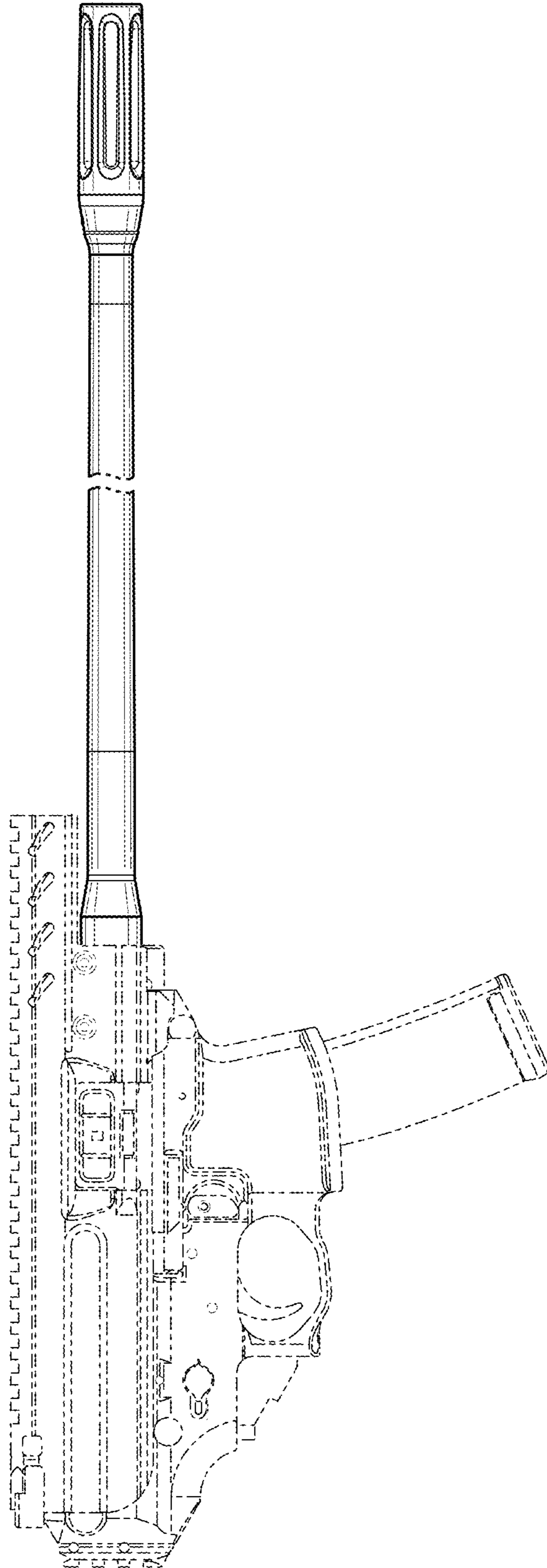


FIG. 2

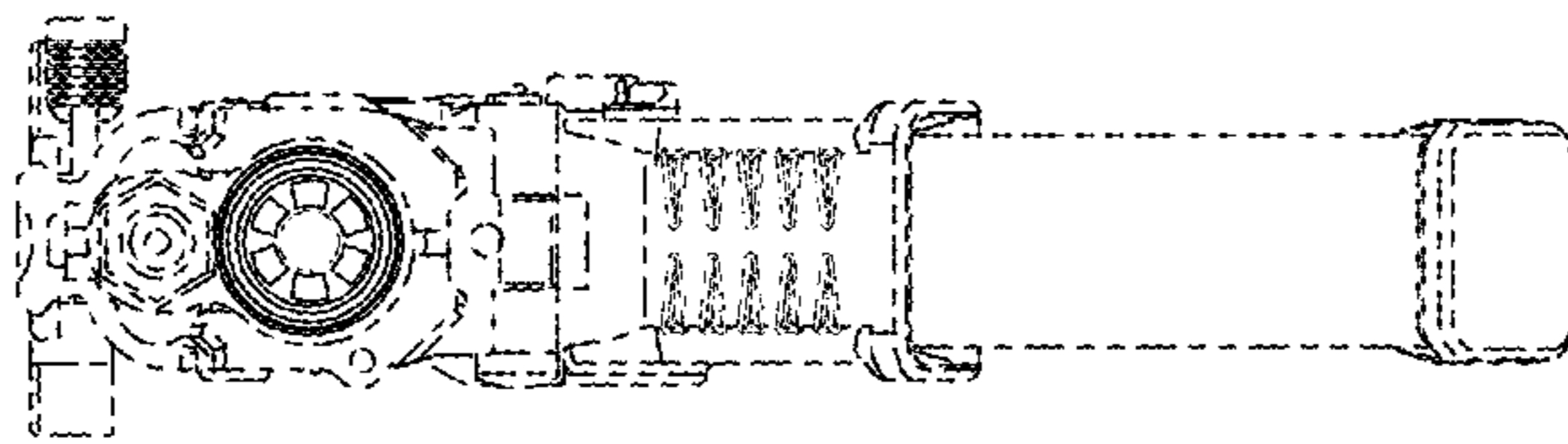


FIG. 3

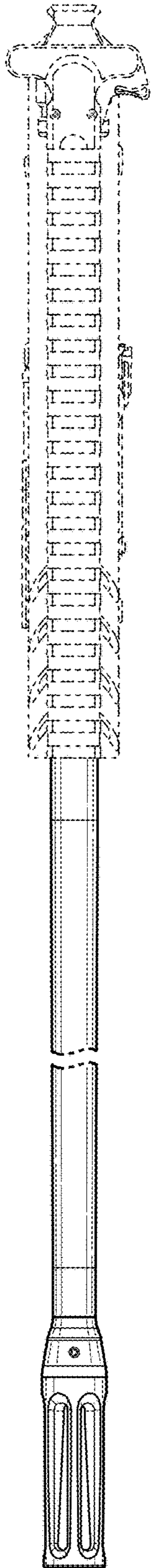


FIG. 4

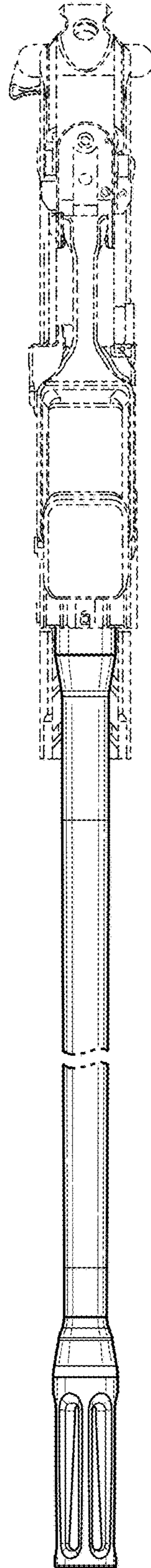


FIG. 5

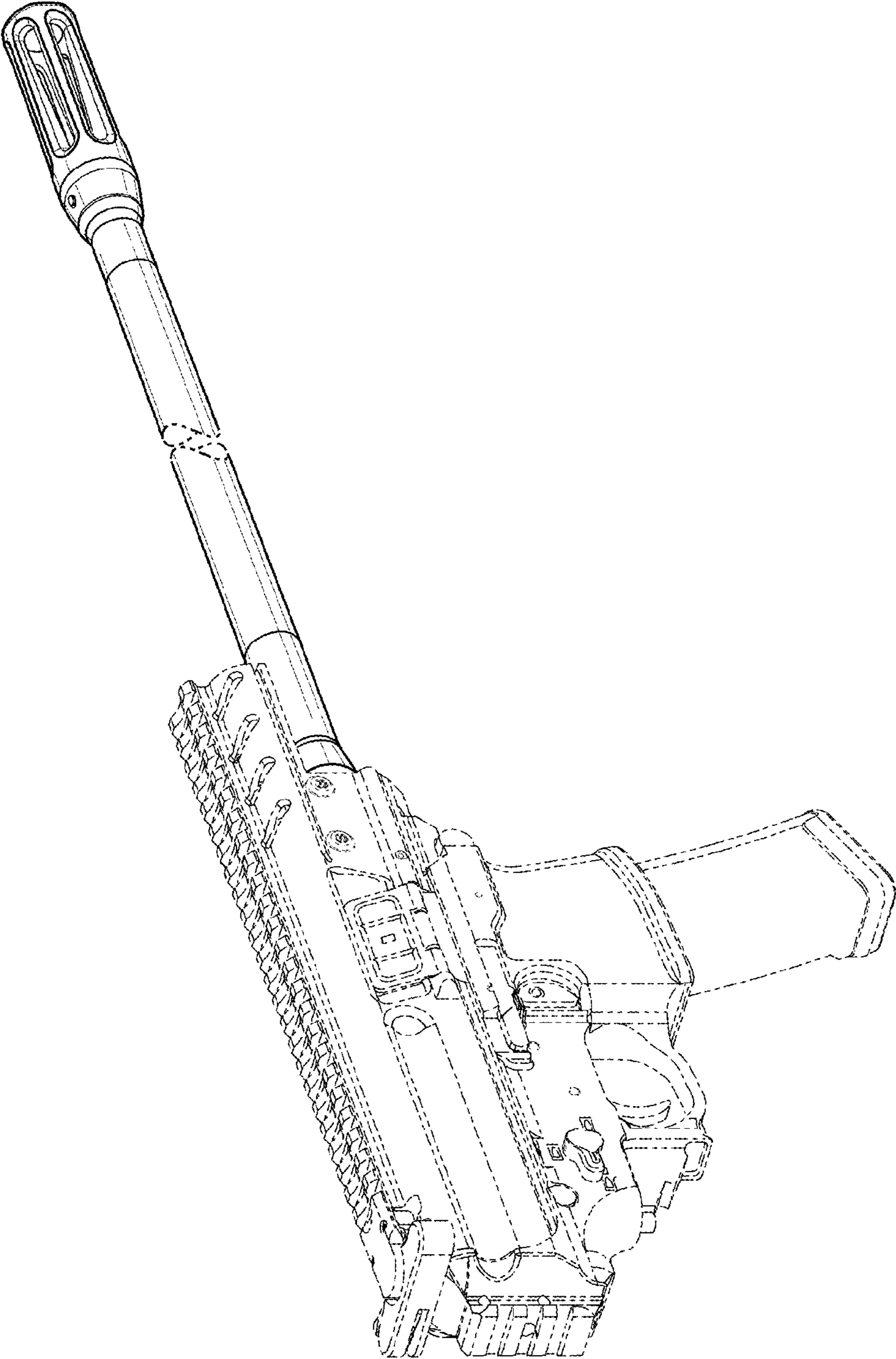


FIG. 6