



US00D794739S

(12) **United States Design Patent**
Kedairy

(10) **Patent No.:** **US D794,739 S**

(45) **Date of Patent:** **** Aug. 15, 2017**

(54) **PISTOL**

(71) Applicant: **Faisal Kedairy**, Vienna (AT)

(72) Inventor: **Faisal Kedairy**, Vienna (AT)

(**) Term: **15 Years**

(21) Appl. No.: **29/544,881**

(22) Filed: **Nov. 6, 2015**

(51) **LOC (10) Cl.** **22-01**

(52) **U.S. Cl.**

USPC **D22/104**

(58) **Field of Classification Search**

USPC D22/104; D21/572-575

CPC F41C 3/14; F41C 3/16; F41C 3/04

See application file for complete search history.

(56) **References Cited**

U.S. PATENT DOCUMENTS

D316,587 S *	4/1991	Sanford	D22/104
D359,098 S *	6/1995	Stevens	D22/104
D359,788 S	6/1995	Ruger et al.		
D376,831 S *	12/1996	Resuggan	D22/100
D430,916 S *	9/2000	Bubits	D22/100
D464,702 S	10/2002	Mauch et al.		
D479,570 S *	9/2003	Scheunert	D22/104
D516,661 S	3/2006	McGarry		
7,290,539 B2	11/2007	Maeda et al.		
D579,072 S	10/2008	McGarry		
D584,374 S	1/2009	McGarry		
D593,629 S	6/2009	Bantle		
D598,065 S	8/2009	Vukovic et al.		
7,810,268 B1	10/2010	McGarry		
D627,028 S	11/2010	Coulombier		
D639,352 S	6/2011	Chan		
D654,978 S	2/2012	Karanian et al.		
D671,610 S	11/2012	Nebeker et al.		
D716,397 S *	10/2014	Rothmann	D22/104
D721,154 S *	1/2015	Olmi	D22/104

D755,324 S *	5/2016	Martelli	D22/104
2011/0120437 A1	5/2011	Tippmann, Jr. et al.		
2011/0173861 A1	7/2011	Roth		

* cited by examiner

Primary Examiner — Michael A Pratt

(74) *Attorney, Agent, or Firm* — Design IP

(57) **CLAIM**

The ornamental design for a pistol, as shown and described.

DESCRIPTION

FIG. 1 is a top plan view of a first embodiment of a pistol showing my new design;

FIG. 2 is a front elevation view thereof;

FIG. 3 is a left side elevation view thereof;

FIG. 4 is a rear elevation view thereof;

FIG. 5 is a right side elevation view thereof;

FIG. 6 is a bottom plan view thereof;

FIG. 7 is a front, left, elevated isometric view thereof;

FIG. 8 is a rear, right, elevated isometric view thereof;

FIG. 9 is a front, right, elevated isometric view thereof;

FIG. 10 is a rear, left, elevated isometric view thereof;

FIG. 11 is a top plan view of a second embodiment of a pistol showing my new design;

FIG. 12 is a front elevation view thereof;

FIG. 13 is a left side elevation view thereof;

FIG. 14 is a rear elevation view thereof;

FIG. 15 is a right side elevation view thereof;

FIG. 16 is a bottom plan view thereof;

FIG. 17 is a front, left, elevated isometric view thereof;

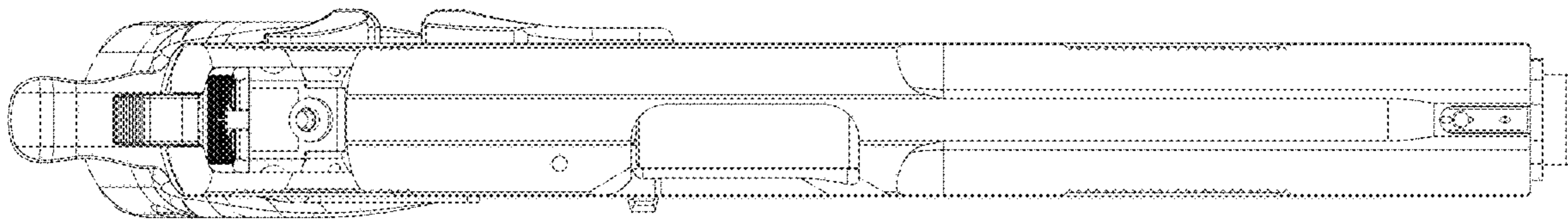
FIG. 18 is a rear, right, elevated isometric view thereof;

FIG. 19 is a front, right, elevated isometric view thereof; and,

FIG. 20 is a rear, left, elevated isometric view thereof.

FIGS. 11 through 20 include grayscale shading. Neither the color nor the relative brightness of the grayscale surface shading forms any part of the claimed design.

1 Claim, 20 Drawing Sheets



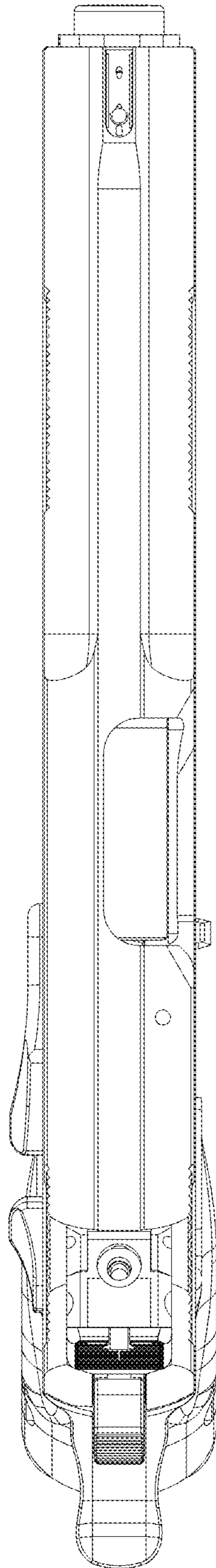


Fig. 1

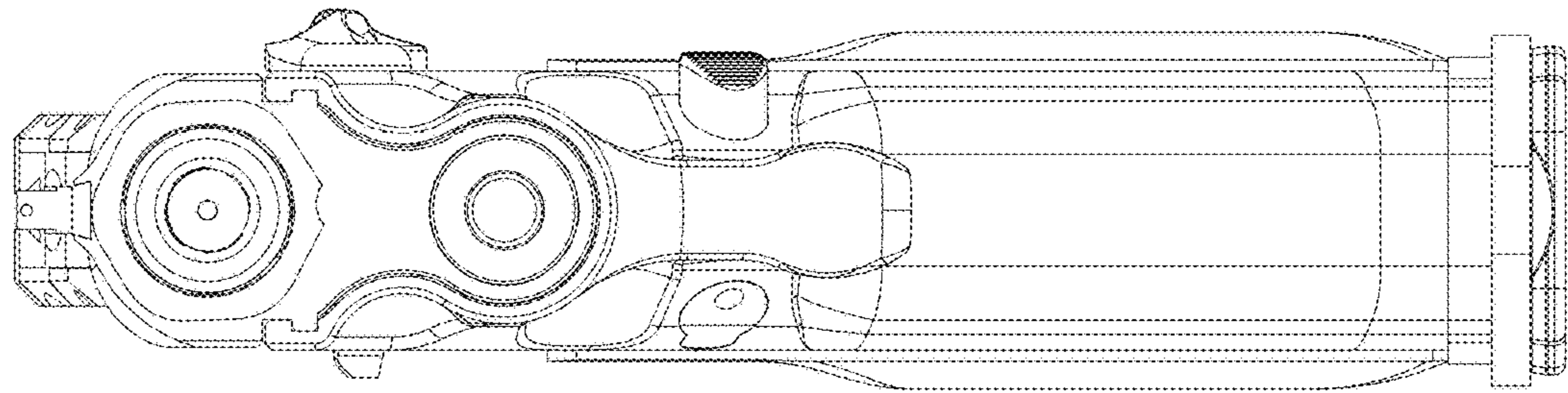


Fig. 2

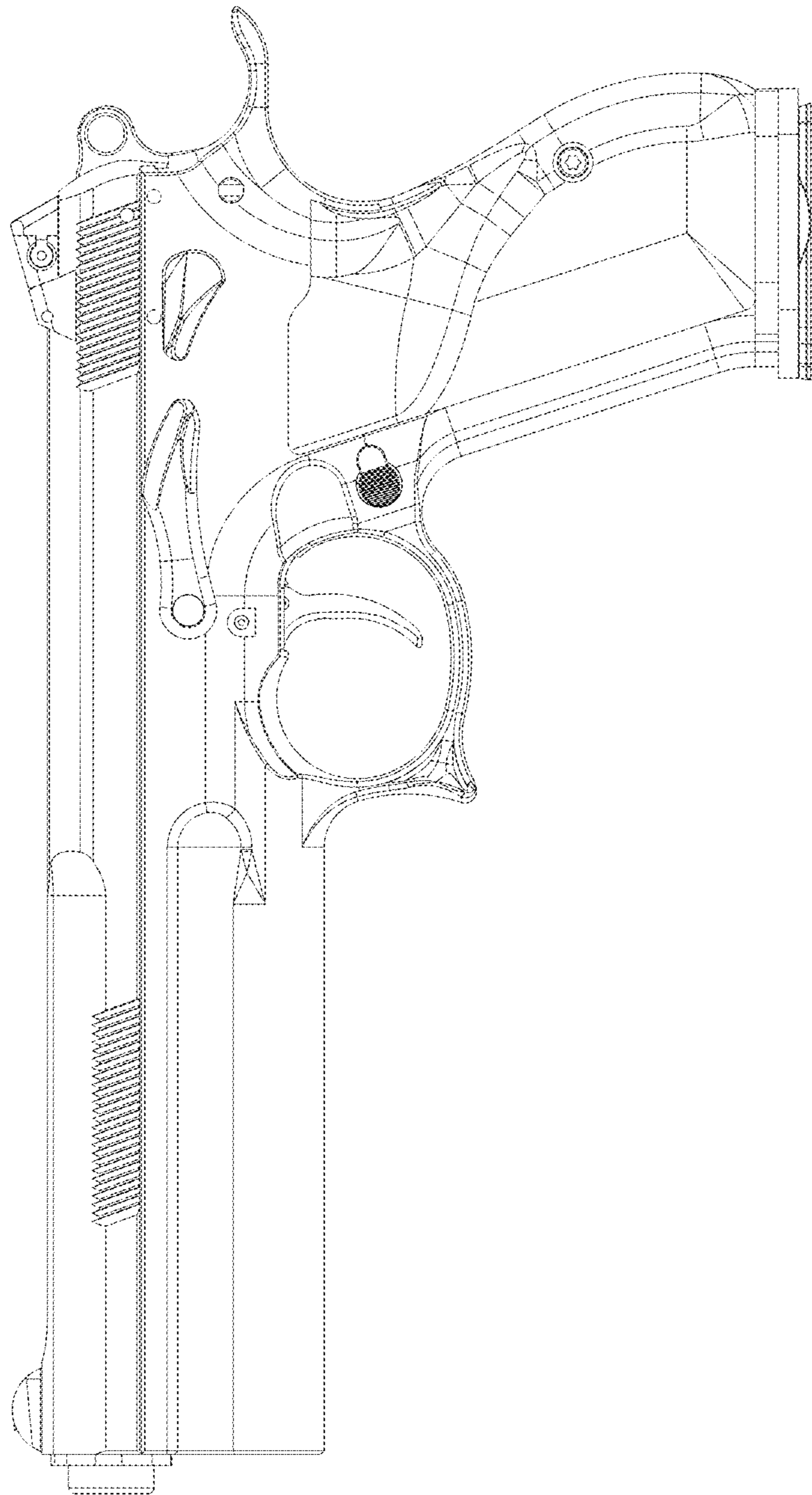


Fig. 3

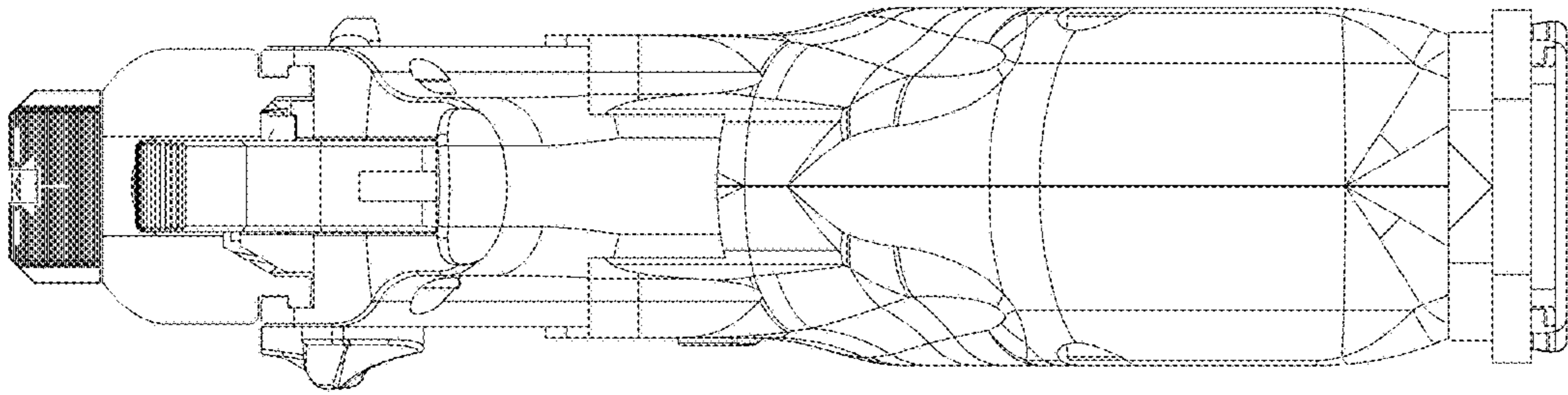


Fig. 4

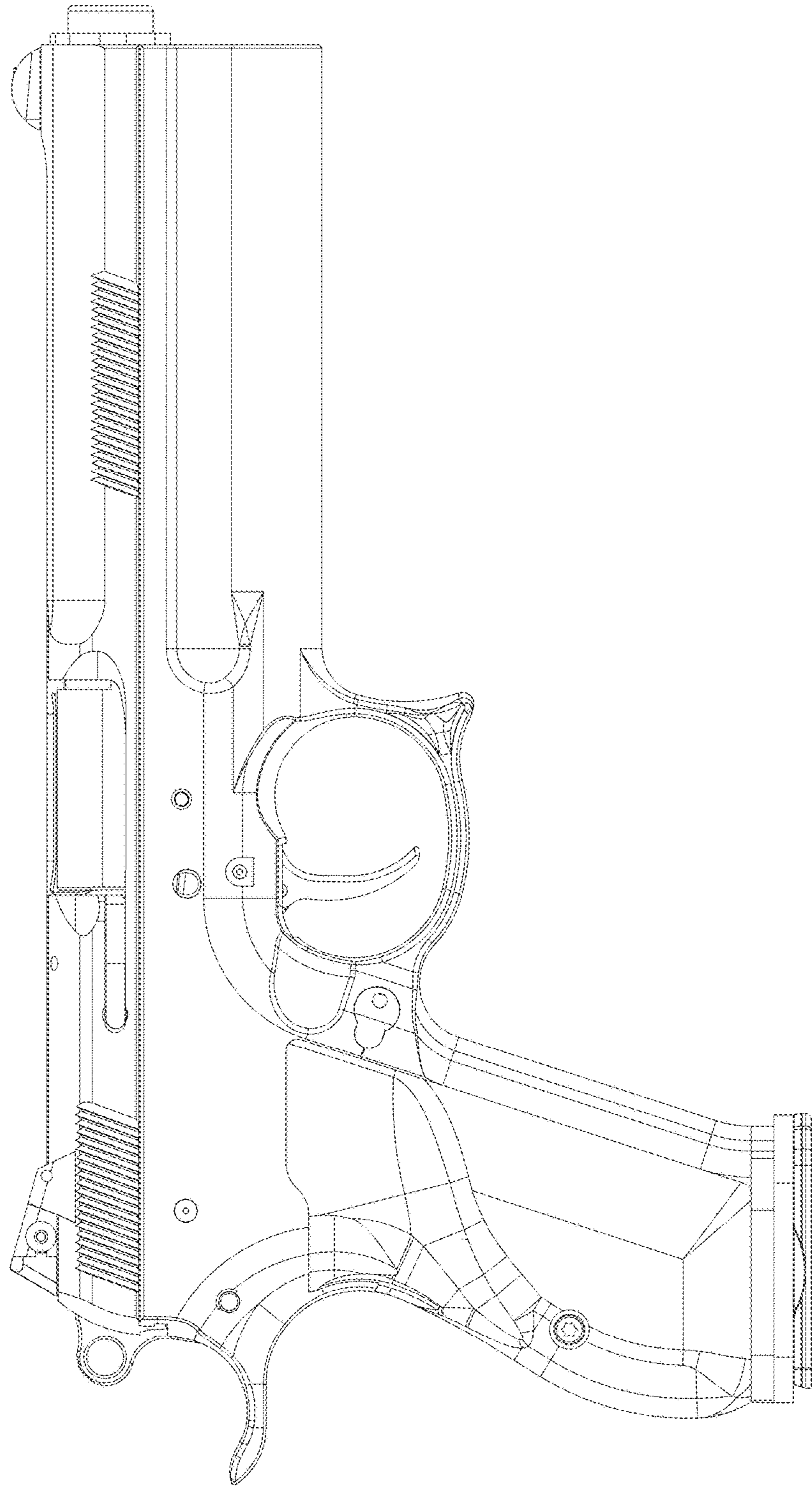


Fig. 5

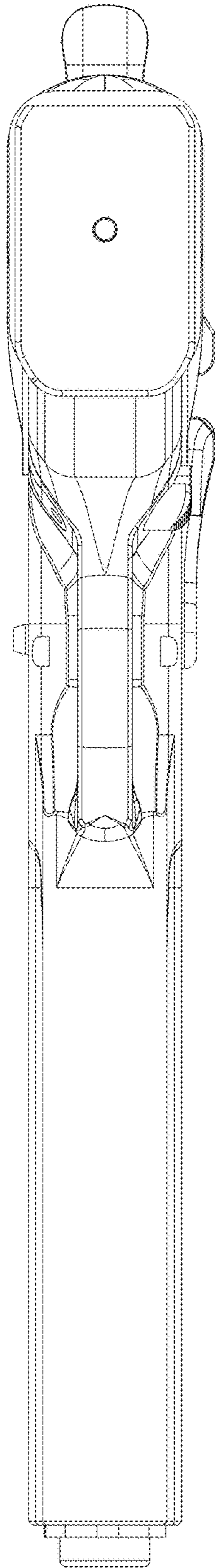


Fig. 6

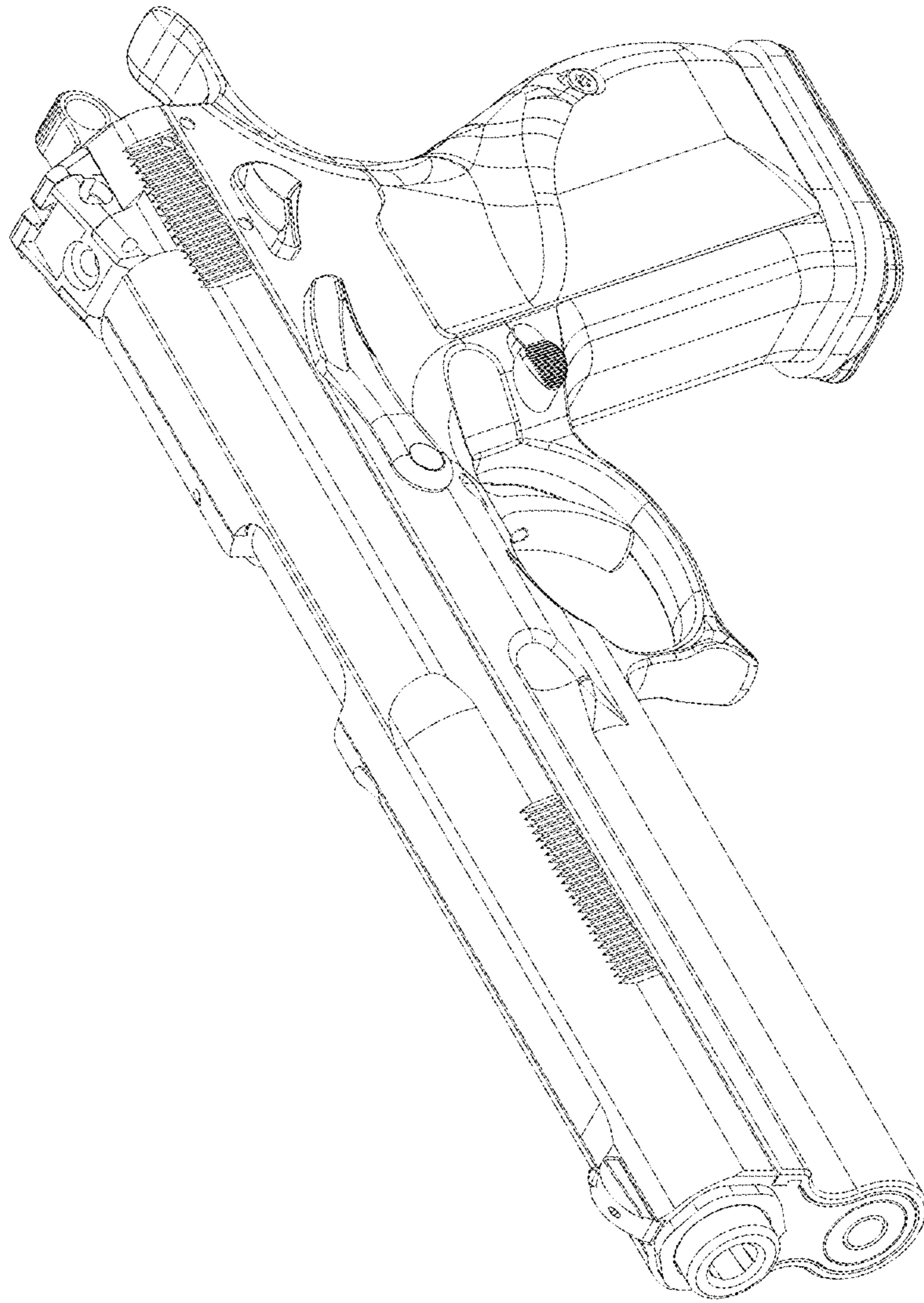


Fig. 7

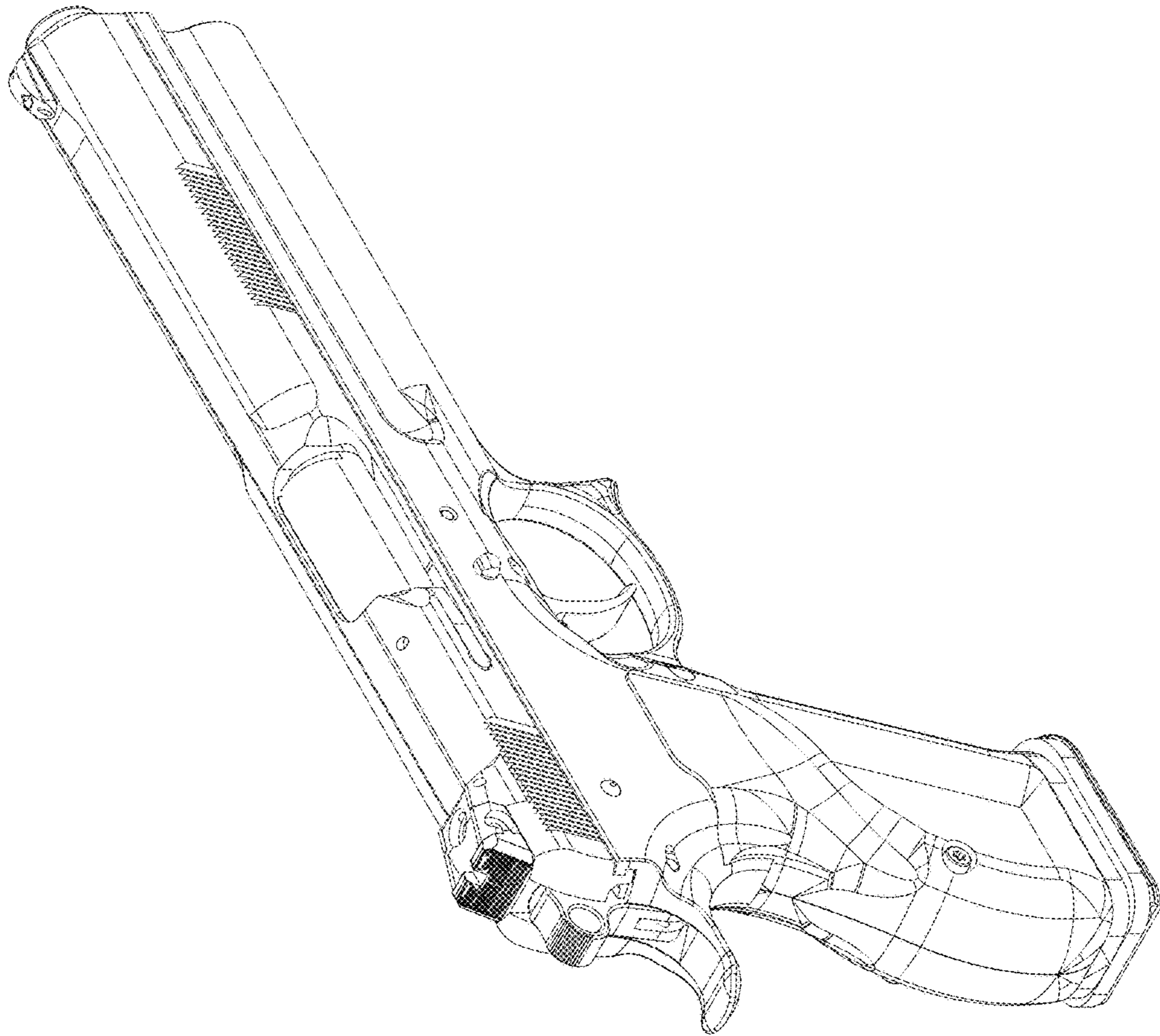


Fig. 8

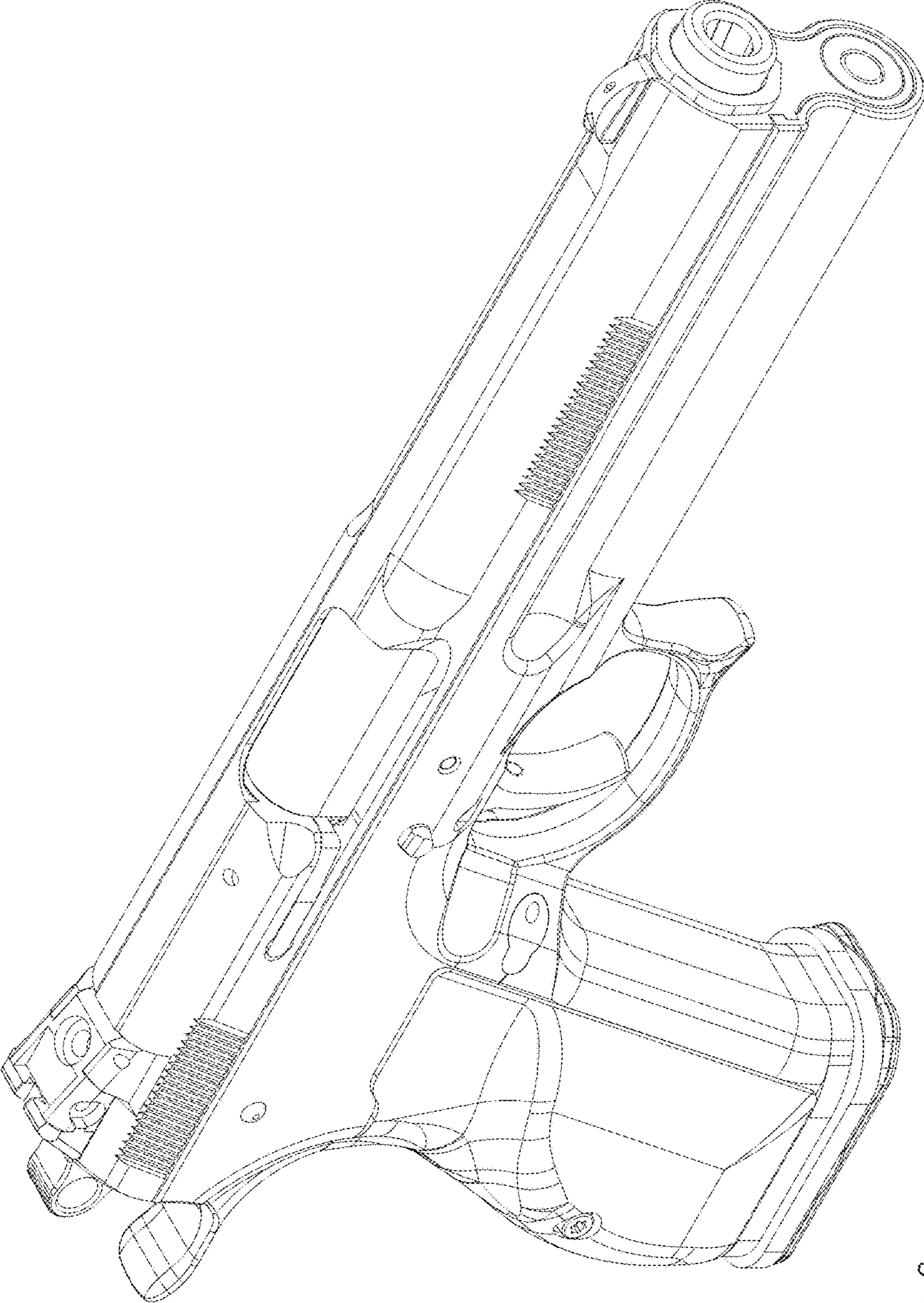


Fig. 9



Fig. 10

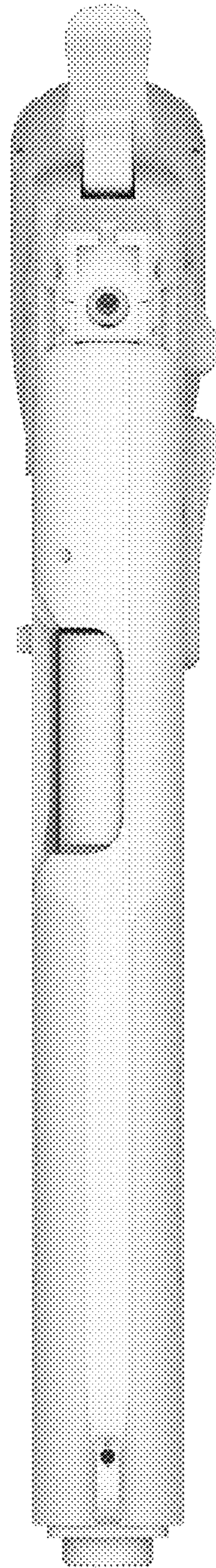


FIG. 11

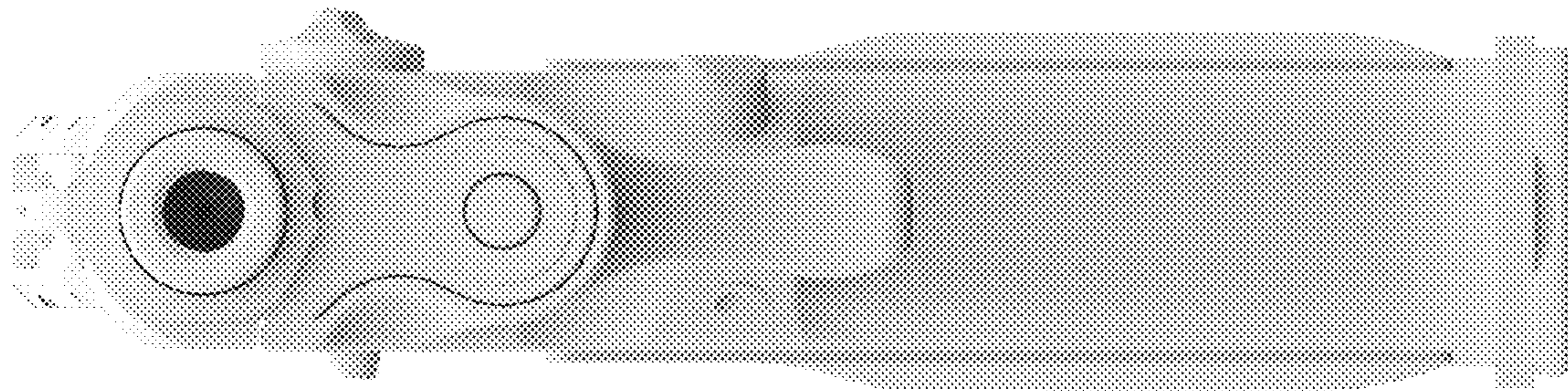


FIG. 12

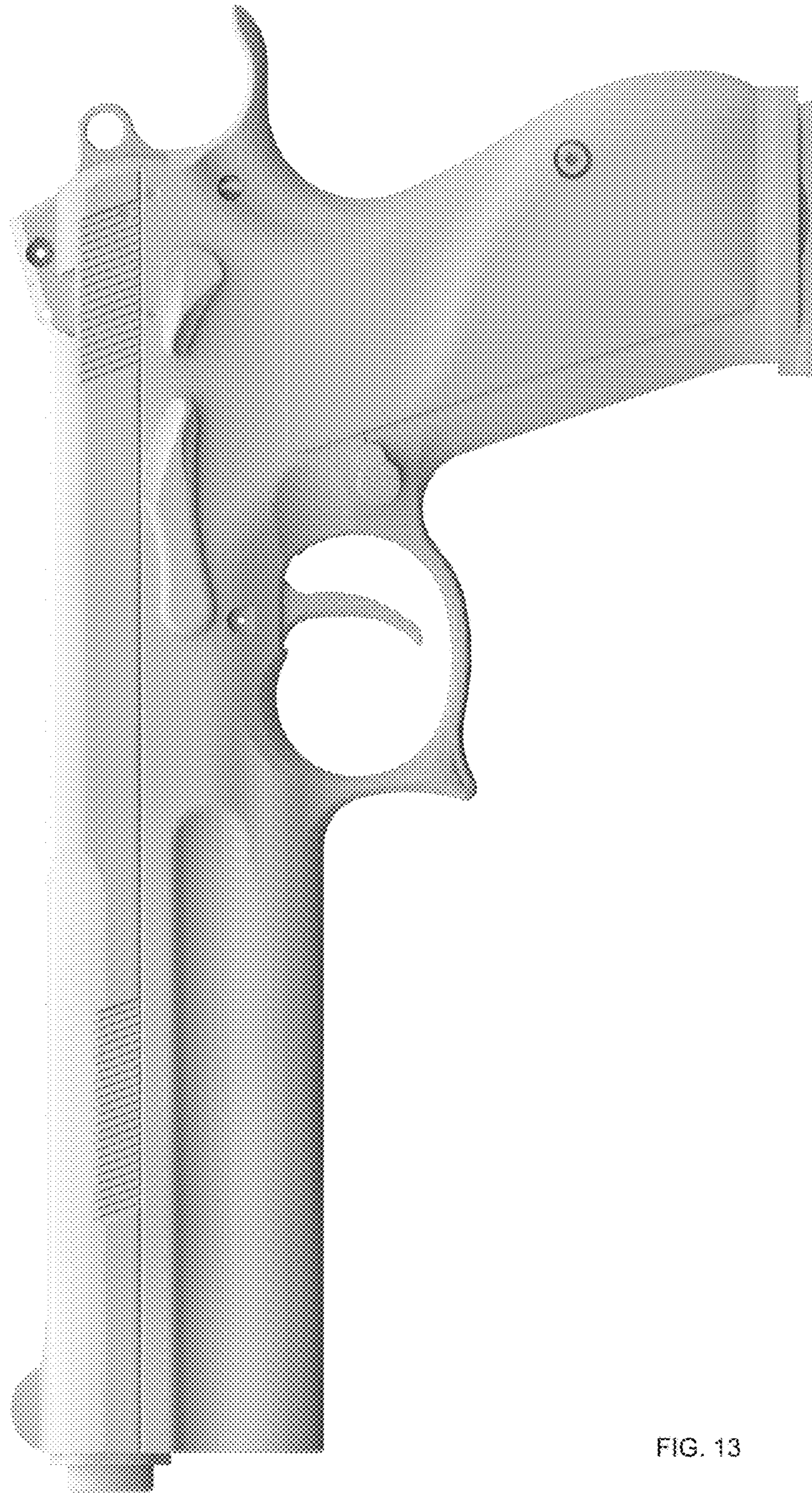


FIG. 13

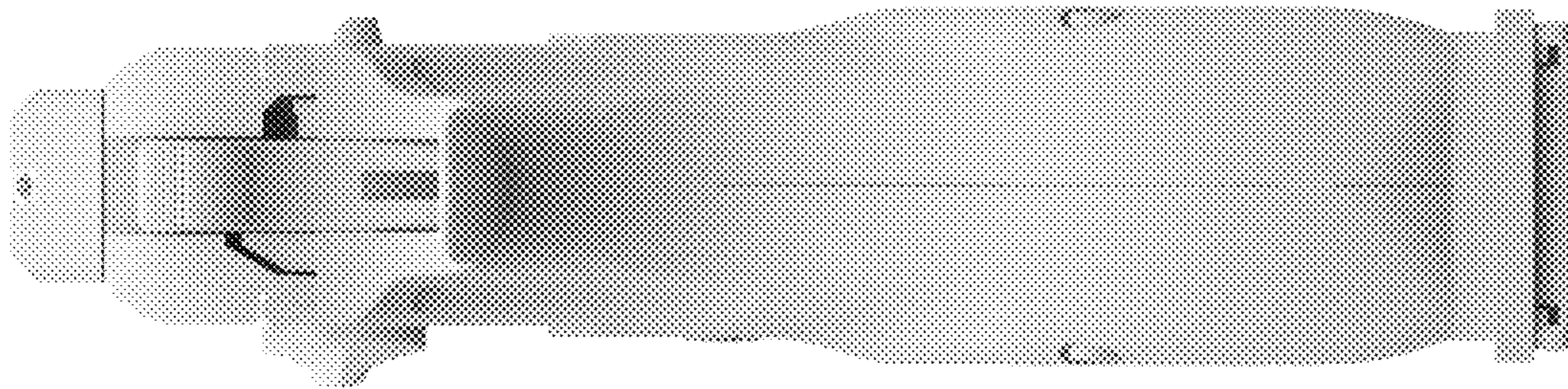


FIG. 14



FIG. 15

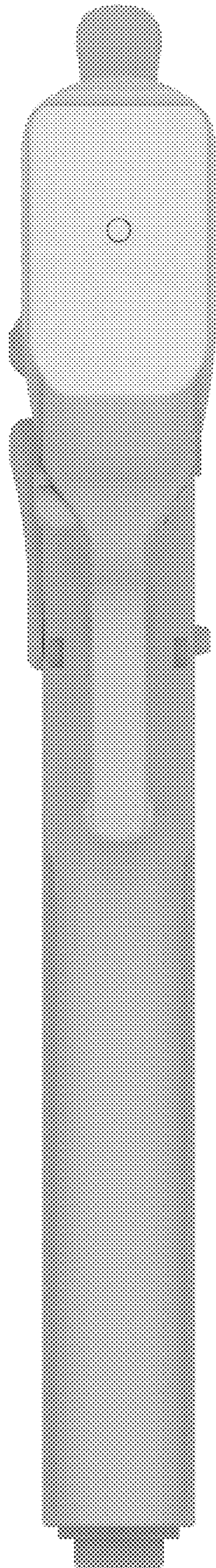


FIG. 16



FIG. 17



FIG. 18



FIG. 19



FIG. 20