



US00D794736S

(12) **United States Design Patent** (10) **Patent No.:** **US D794,736 S**
Svendsen et al. (45) **Date of Patent:** **** *Aug. 15, 2017**

- (54) **GRIP FOR SKI BINDING**
- (71) Applicant: **Rottefella AS**, Klokkarstua (NO)
- (72) Inventors: **Øyvar Svendsen**, Oslo (NO); **Even Wøllo**, Nærsnes (NO); **Thomas Holm**, Oslo (NO)
- (73) Assignee: **ROTTEFELLA AS** (NO)
- (*) Notice: This patent is subject to a terminal disclaimer.
- (**) Term: **14 Years**
- (21) Appl. No.: **29/485,324**
- (22) Filed: **Mar. 18, 2014**
- (30) **Foreign Application Priority Data**
 Sep. 20, 2013 (NO) 20130994
- (51) **LOC (10) Cl.** **21-02**
- (52) **U.S. Cl.**
USPC **D21/773**
- (58) **Field of Classification Search**
USPC D21/760, 761, 765, 766, 801, 803;
441/65-66, 68-69, 72-75, 79; D12/6;
280/11.3, 11.31, 601-606, 609-610
CPC A63C 5/04
See application file for complete search history.

(56) **References Cited**
U.S. PATENT DOCUMENTS

D299,734 S	2/1989	Sedlmair
D323,200 S	1/1992	Mermillod
D329,267 S	9/1992	Arnulf
D341,640 S	11/1993	Hauglin
D341,864 S	11/1993	Hauglin
5,480,175 A	1/1996	Astier et al.
D375,773 S	11/1996	Haughlin

D390,901 S	2/1998	Hauglin	
D425,162 S	5/2000	Hauglin	
D425,955 S	5/2000	Girard et al.	
6,244,616 B1 *	6/2001	Arduin et al.	280/602
6,412,807 B1 *	7/2002	Arduin et al.	280/607
6,533,625 B1	3/2003	Taylor	
6,631,918 B2 *	10/2003	Silva	280/607
6,848,703 B2	2/2005	Godde et al.	
D532,475 S	11/2006	Hauglin et al.	
D537,140 S	2/2007	Battistoni	
D538,372 S	3/2007	Bonnemere	
7,252,301 B2	8/2007	Välikangas	
7,393,000 B2	7/2008	Resch et al.	
7,513,509 B2 *	4/2009	Guyot et al.	280/11.14
D617,408 S	6/2010	Girard et al.	
7,744,113 B2	6/2010	Farges	
D647,156 S	10/2011	Svendsen et al.	
D650,030 S	12/2011	Svendsen et al.	
D650,461 S	12/2011	Svendsen et al.	
D697,568 S	1/2014	Svendsen et al.	
D697,569 S	1/2014	Svendsen et al.	
2002/0014757 A1	2/2002	Silva	

* cited by examiner

Primary Examiner — Zenia Bennett
(74) *Attorney, Agent, or Firm* — Kolisch Hartwell, P.C.

(57) **CLAIM**

We claim the ornamental design for a grip for ski binding, as shown and described.

DESCRIPTION

FIG. 1 is a top, front, and left-side perspective view of a grip for ski binding according to an embodiment of the present invention.
FIG. 2 is a left-side elevation of the embodiment of FIG. 1; the right side is a mirror image thereof.
FIG. 3 is a top plan of the embodiment of FIG. 1.
FIG. 4 is a front elevation of the embodiment of FIG. 1.
FIG. 5 is a bottom plan of the embodiment of FIG. 1; and, FIG. 6 is a rear elevation of the embodiment of FIG. 1.

1 Claim, 3 Drawing Sheets

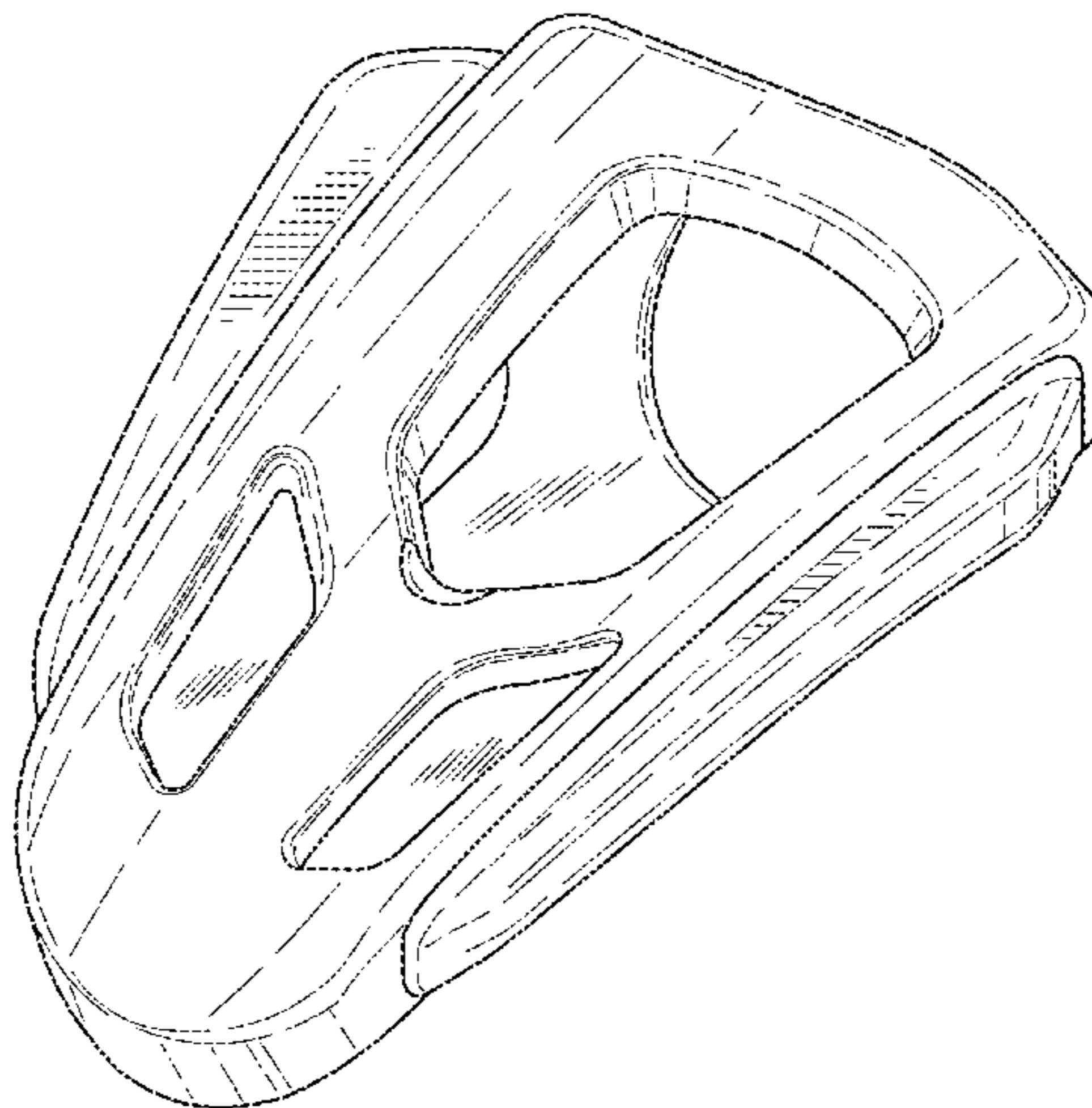


Fig. 1

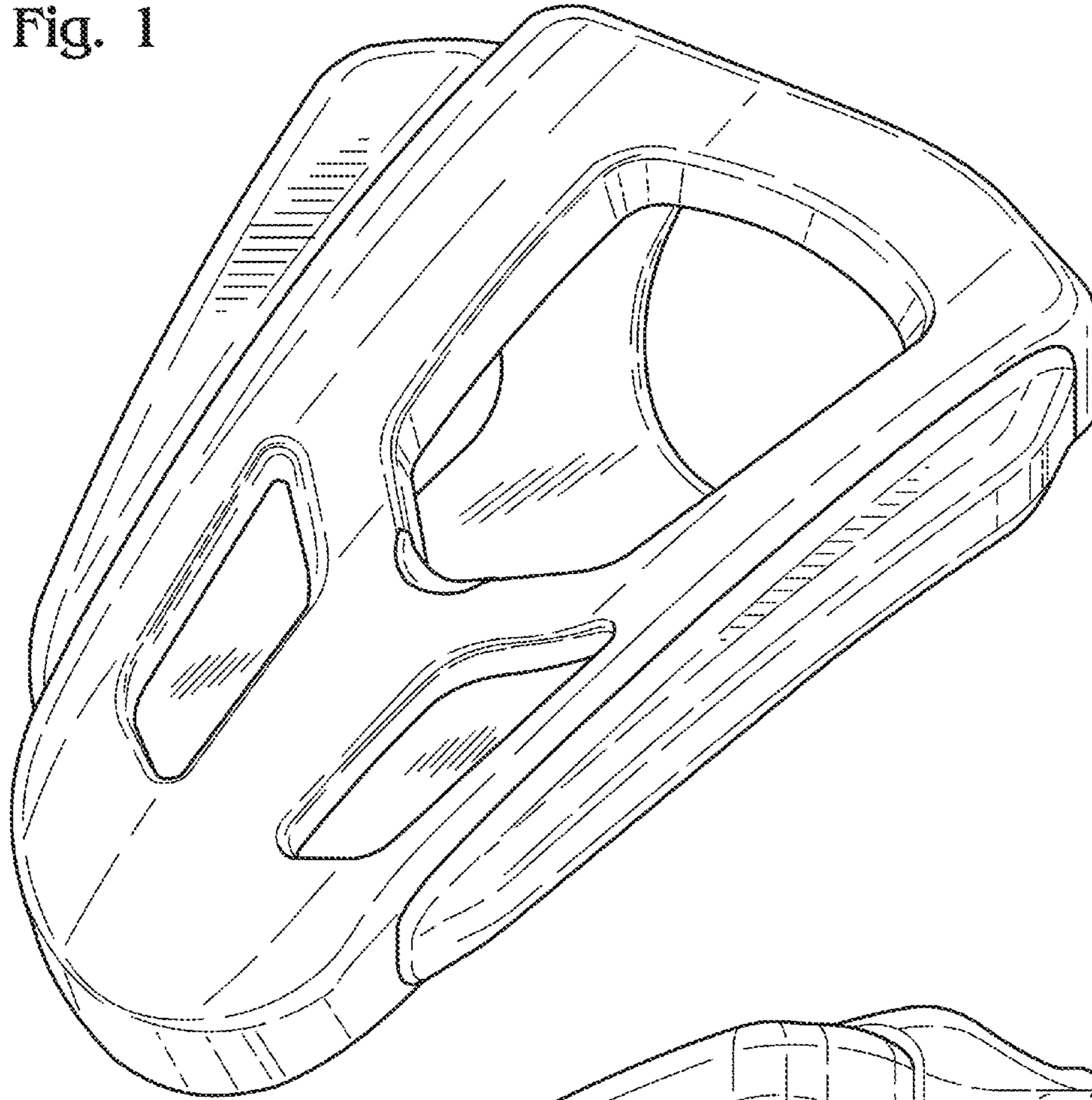


Fig. 2

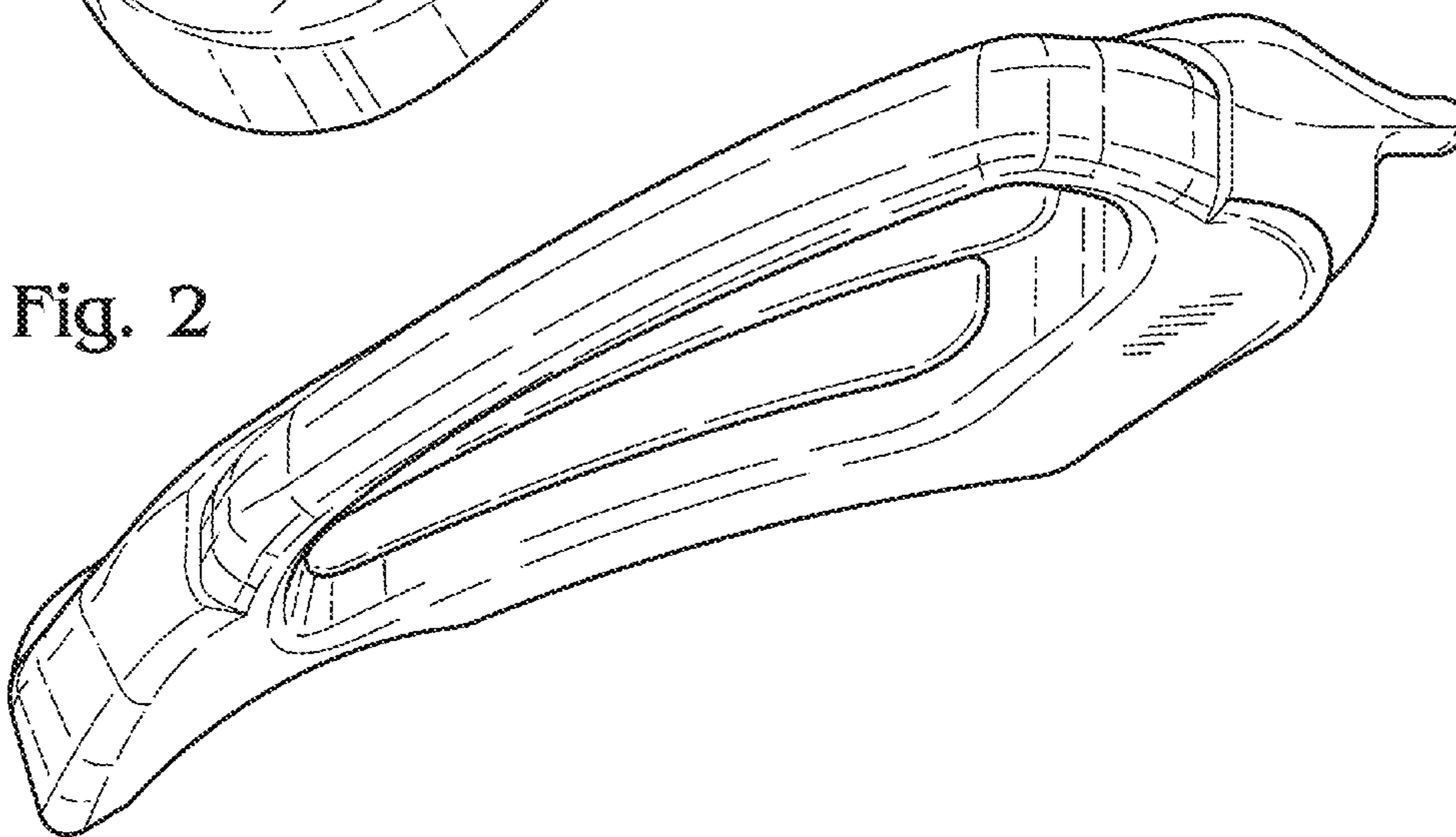


Fig. 3

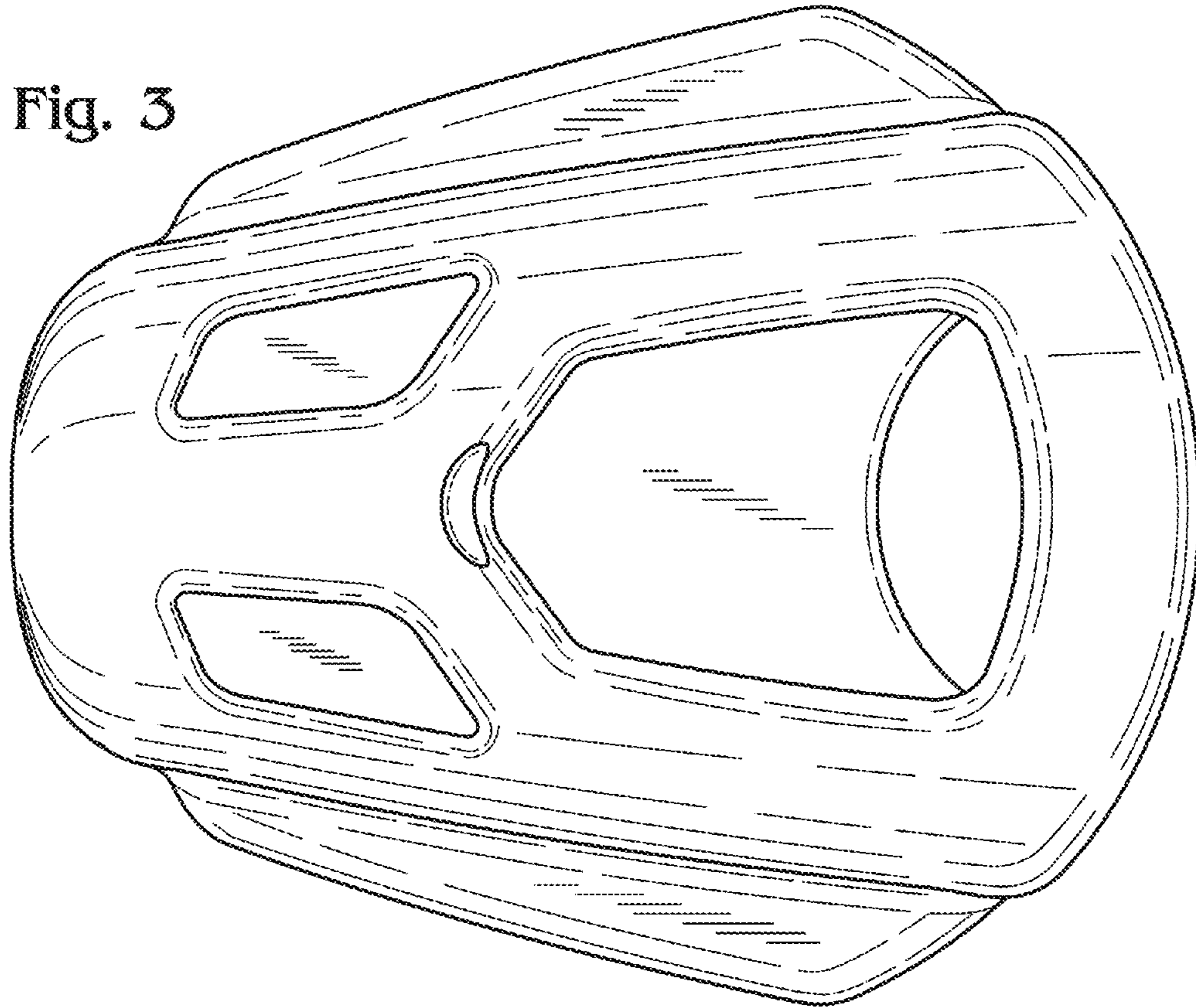


Fig. 4

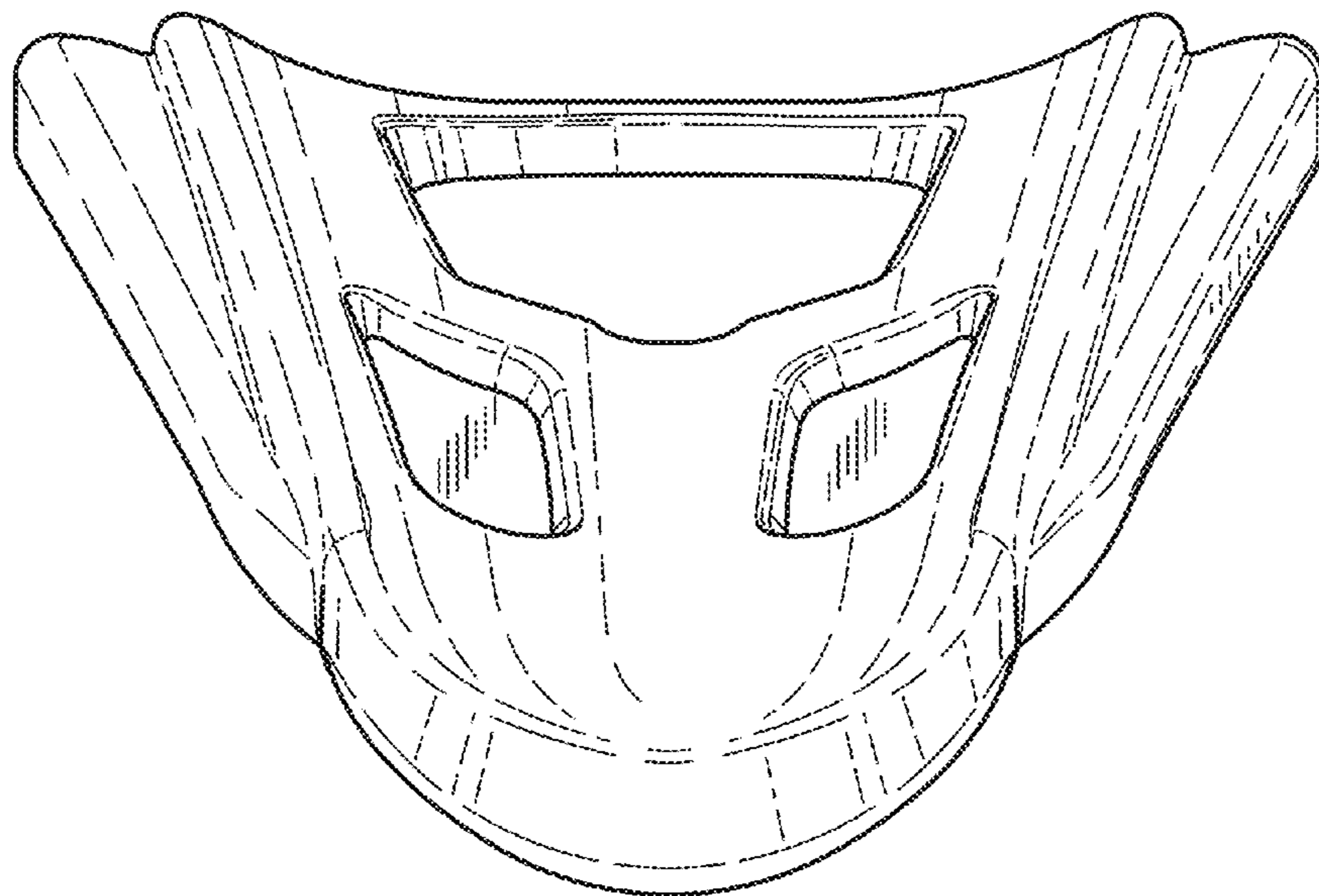


Fig. 5

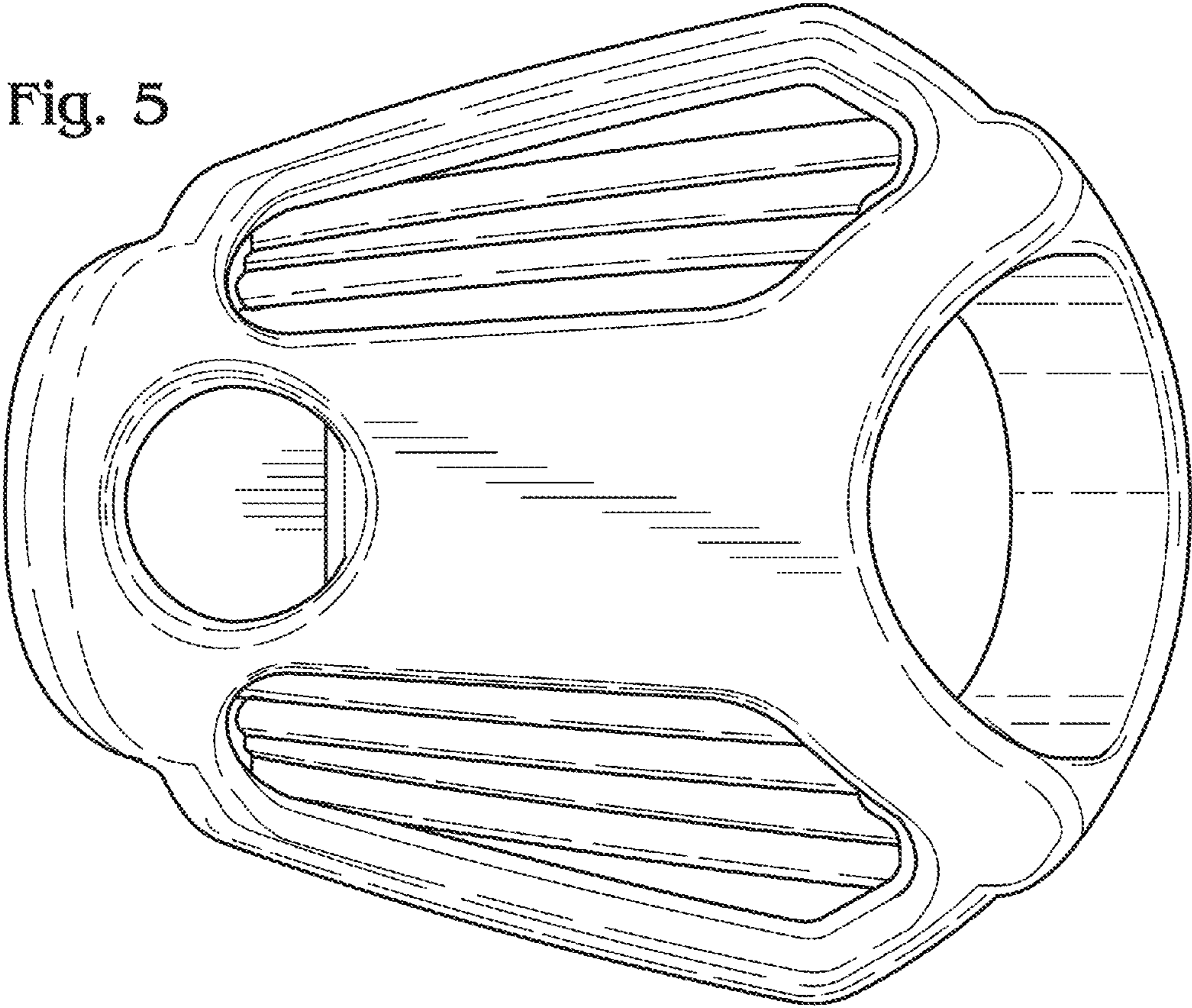


Fig. 6

