

US00D794735S

(12) **United States Design Patent** (10) **Patent No.:** **US D794,735 S**
Goldberg (45) **Date of Patent:** **** Aug. 15, 2017**

(54) **RETRACTABLE ANCHOR BASE FOR SKIS**

(71) Applicant: **Sophie Rose Goldberg**, Denver, CO
(US)

(72) Inventor: **Sophie Rose Goldberg**, Denver, CO
(US)

(**) Term: **15 Years**

(21) Appl. No.: **29/544,669**

(22) Filed: **Nov. 5, 2015**

(51) **LOC (10) Cl.** **21-02**

(52) **U.S. Cl.**
USPC **D21/771; D21/766**

(58) **Field of Classification Search**
USPC **D21/766-779; D14/250, 447; D6/310; D8/354; D18/59**
CPC **A63C 7/10; A63C 7/08; A63C 7/1006-7/1093**

See application file for complete search history.

(56) **References Cited**

U.S. PATENT DOCUMENTS

2,248,008	A	7/1941	Miesen et al.	
2,844,380	A	7/1958	Tribelhorn et al.	
4,239,255	A	12/1980	Boudreau et al.	
4,398,746	A	8/1983	Heintz	
4,596,400	A *	6/1986	Stenius	A63C 7/08 280/605
4,674,764	A	6/1987	Miesen	
4,690,423	A	9/1987	DeVigili	
5,221,104	A	6/1993	Bejean et al.	
5,649,722	A *	7/1997	Champlin	A63C 5/02 280/14.22
D404,100	S *	1/1999	Lazarus	D21/771
D494,977	S *	8/2004	Persson	D14/447
7,556,384	B2 *	7/2009	Chan	A45D 42/18 353/122
D649,611	S *	11/2011	Ollila	D21/766
8,844,892	B2 *	9/2014	Robinson	A47B 23/043 248/455
D721,710	S *	1/2015	Messing	D14/447

D741,070	S *	10/2015	Martin	D14/375
2003/0132609	A1	7/2003	Detrick et al.	
2011/0180682	A1 *	7/2011	Tarnutzer	A47B 23/043 248/447
2012/0006950	A1 *	1/2012	Vandiver	F16M 11/10 248/176.3
2012/0168577	A1 *	7/2012	Cheng	F16M 11/105 248/176.3

* cited by examiner

Primary Examiner — Cathron Brooks
Assistant Examiner — Sharon S Oum
(74) *Attorney, Agent, or Firm* — Reilly Intellectual Property Law Firm

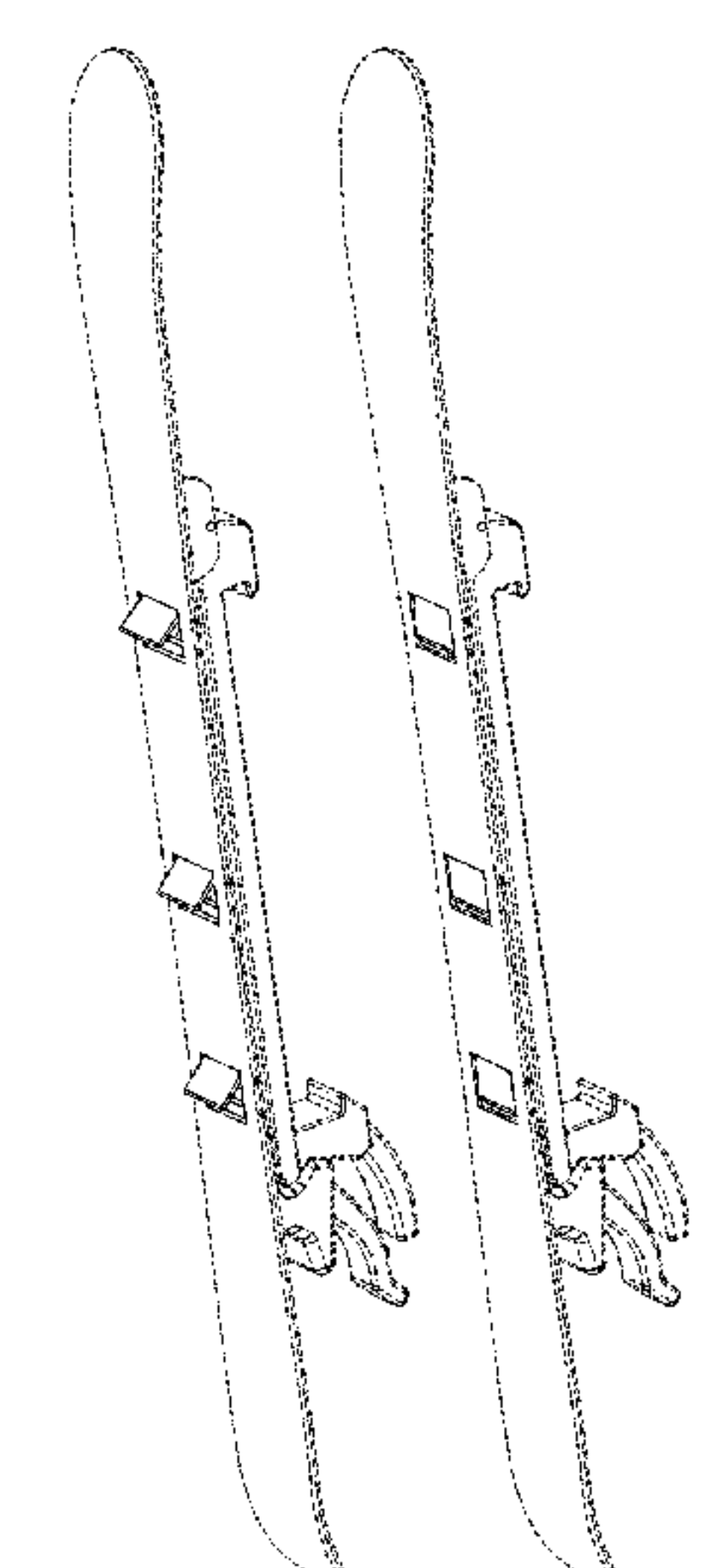
(57) **CLAIM**

The ornamental design for a retractable anchor base for skis, as shown and described.

DESCRIPTION

FIG. 1 is an enlarged partial perspective view of my design which is shown separately for completeness of illustration; FIG. 2 is another perspective view thereof, but shown in an exploded configuration; FIG. 3 is a front perspective view showing my new design; FIG. 4 is a front perspective view of FIG. 3 in the retracted position; FIG. 5 is a side view of FIG. 3; FIG. 6 is a detail view of FIG. 5; FIG. 7 is a detail view of FIG. 6; FIG. 8 is a bottom view of FIG. 3; FIG. 9 is an opposite side view of FIG. 5; FIG. 10 is a top view of FIG. 3; FIG. 11 is an end view of FIG. 3; and, FIG. 12 is an opposite end view of FIG. 11. The broken lines are included for the purpose of illustrating environmental structure and form no part of the claimed designs used in FIGS. 1-12.

1 Claim, 3 Drawing Sheets



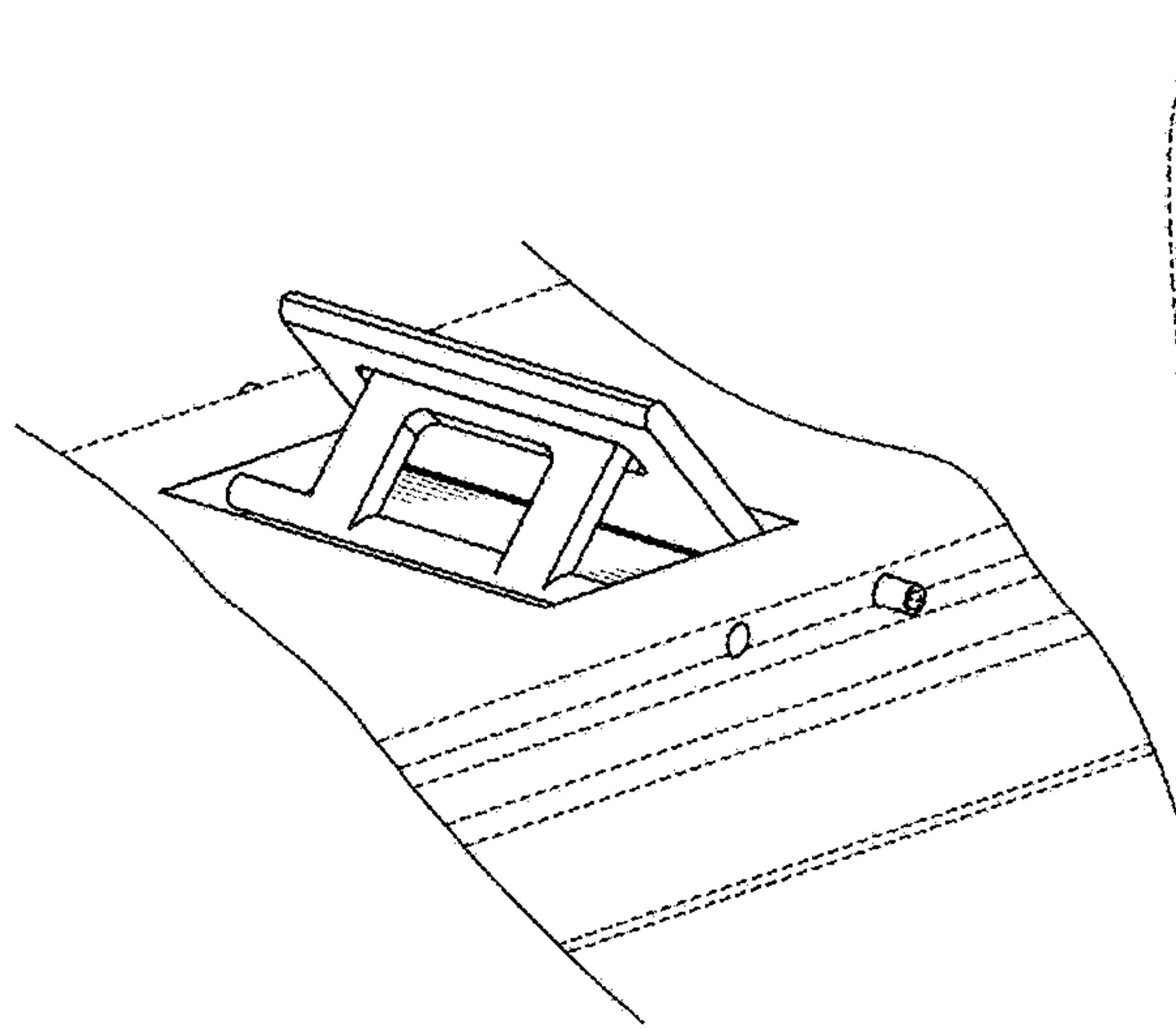


Fig. 1

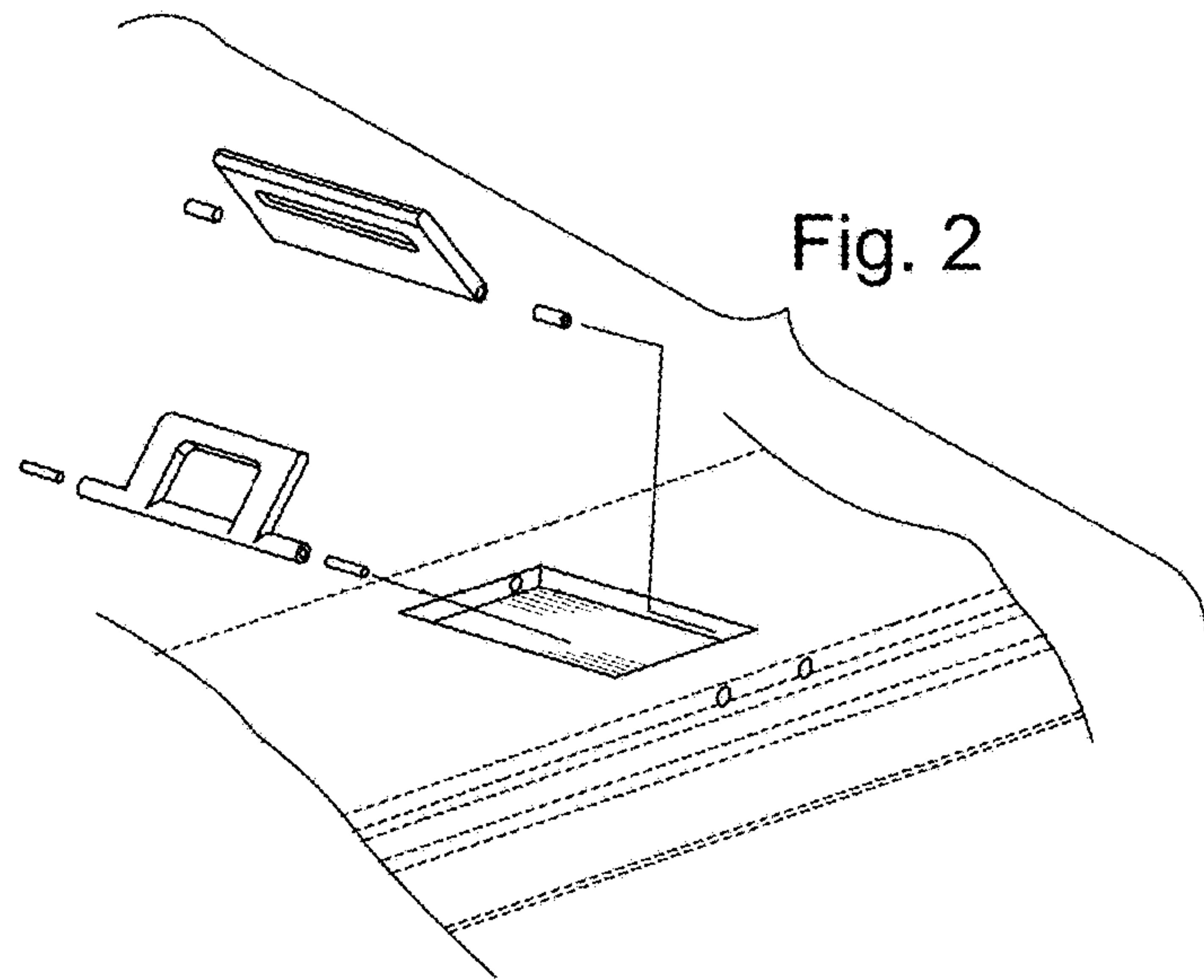


Fig. 2

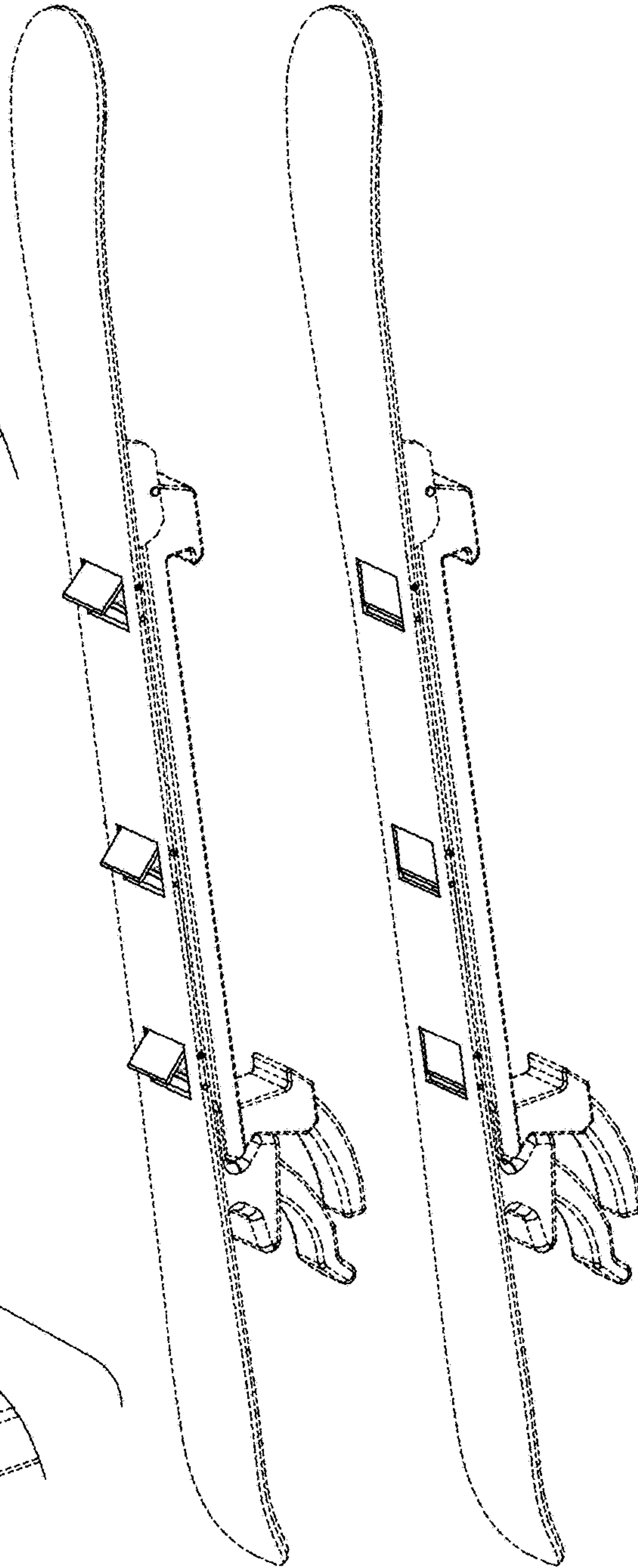


Fig. 3

Fig. 4

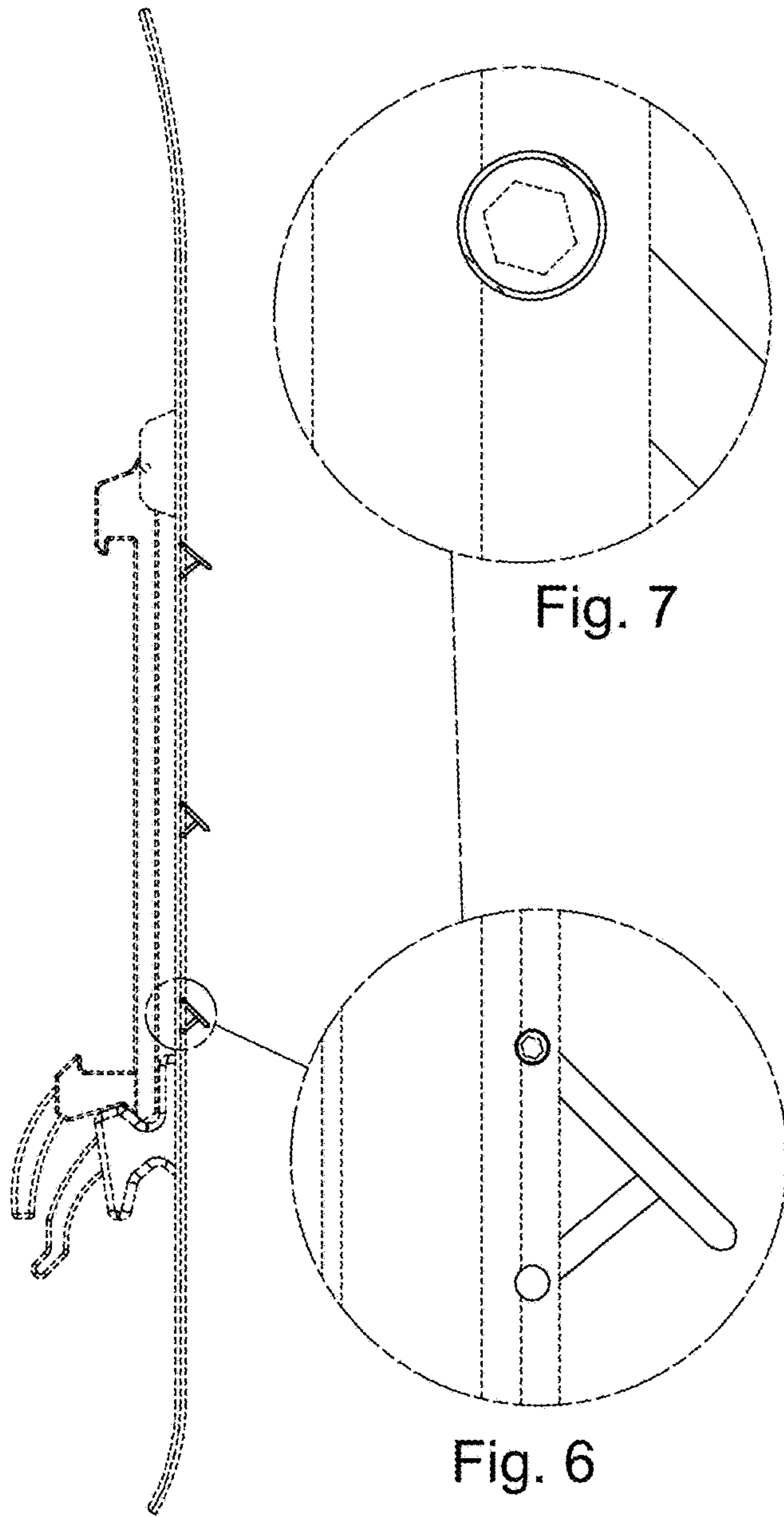


Fig. 5

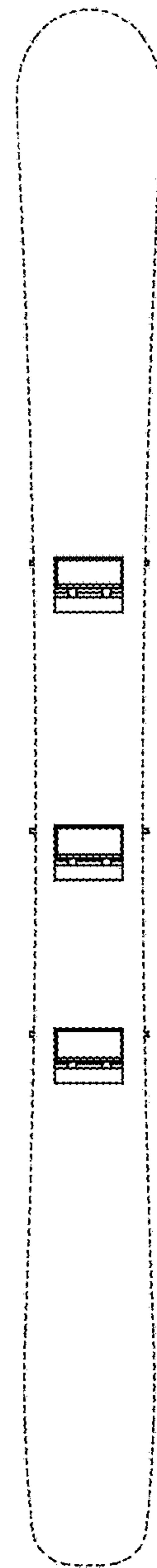


Fig. 8

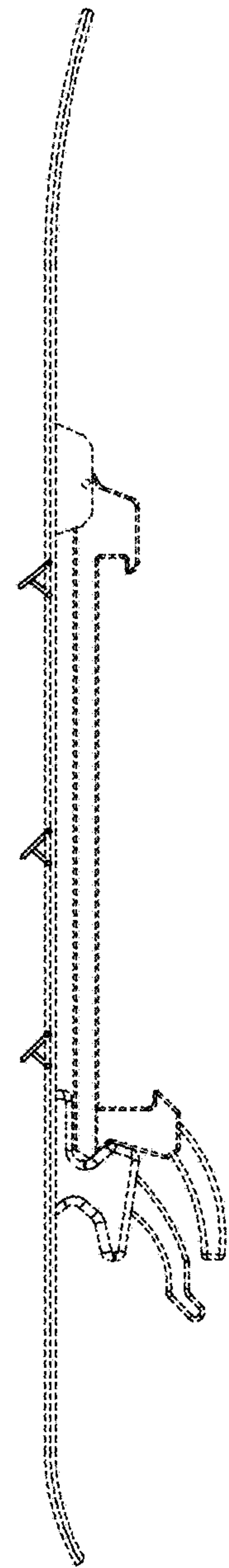


Fig. 9

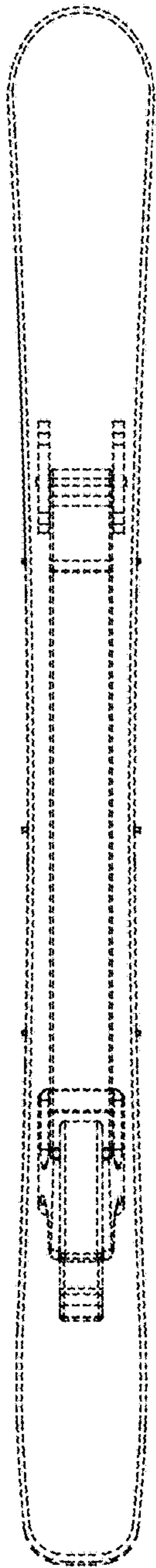


Fig. 10

Fig. 11

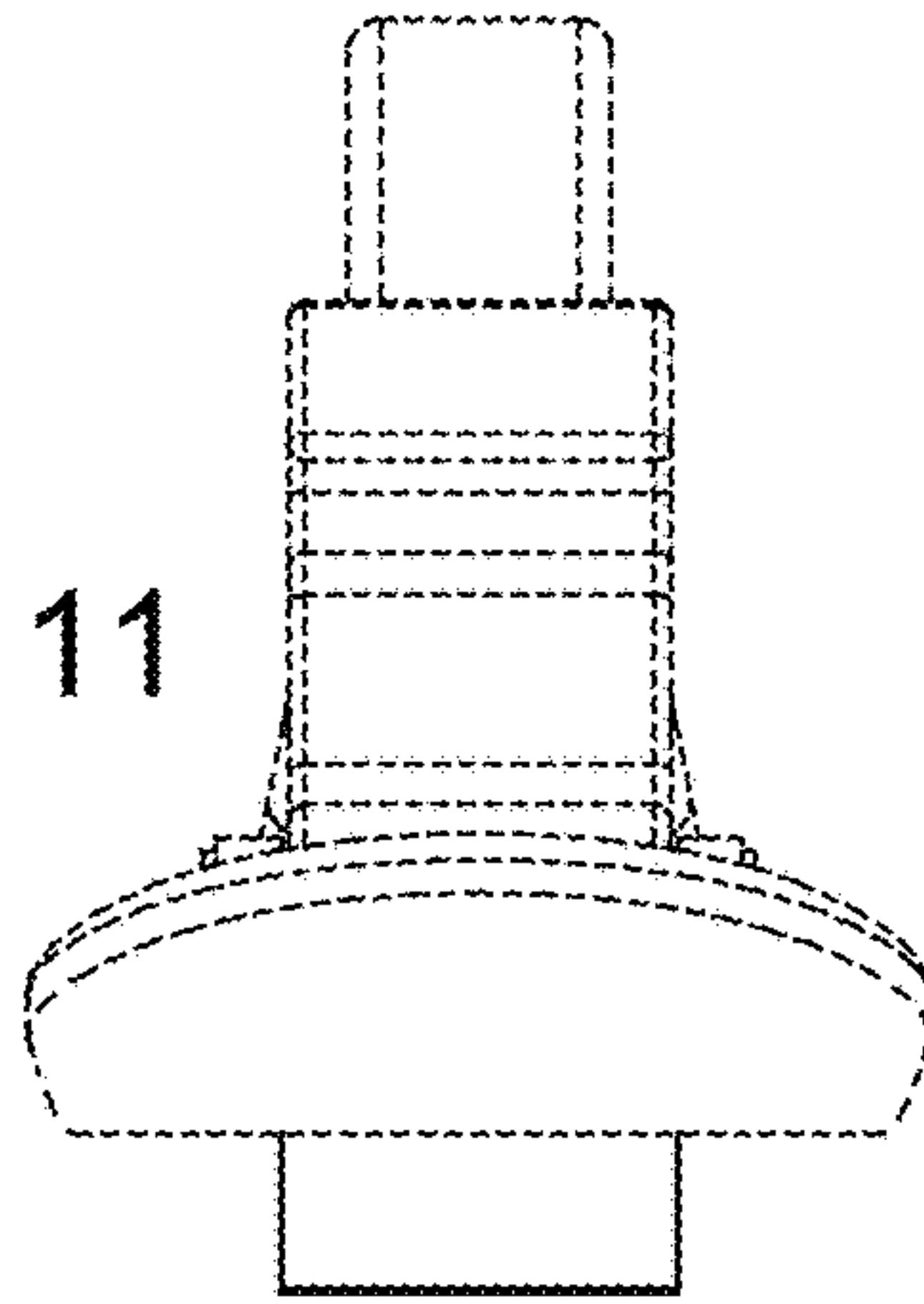


Fig. 12

