



US00D794733S

(12) **United States Design Patent**
Milleman et al.

(10) **Patent No.:** **US D794,733 S**

(45) **Date of Patent:** **** Aug. 15, 2017**

(54) **GOLF CLUB HEAD**

(71) Applicant: **Karsten Manufacturing Corporation**,
Phoenix, AZ (US)

(72) Inventors: **Travis D. Milleman**, Cave Creek, AZ
(US); **David A. Higdon**, Phoenix, AZ
(US)

(73) Assignee: **Karsten Manufacturing Corporation**,
Phoenix, AZ (US)

(**) Term: **15 Years**

(21) Appl. No.: **29/557,966**

(22) Filed: **Mar. 14, 2016**

(51) **LOC (10) Cl.** **21-02**

(52) **U.S. Cl.**
USPC **D21/752**

(58) **Field of Classification Search**
USPC D21/733, 752, 759
CPC A63B 53/04; A63B 53/0466; A63B
2053/002; A63B 2053/0445; A63B
2053/0433; A63B 2053/0437; A63B
53/0491

See application file for complete search history.

(56) **References Cited**

U.S. PATENT DOCUMENTS

D482,419 S	11/2003	Burrows	
D486,542 S	2/2004	Burrows	
D490,870 S	6/2004	Burrows	
D508,275 S	8/2005	Burrows	
D534,979 S	1/2007	Chau	
D537,139 S	2/2007	Breier	
D537,895 S	3/2007	Breier	
D538,370 S	3/2007	Breier	
D553,206 S	* 10/2007	Morales D21/733
D557,362 S	* 12/2007	Serrano D21/752
D557,363 S	12/2007	Jertson	

D558,287 S	12/2007	Jertson	
D558,288 S	12/2007	Jertson	
D561,286 S	* 2/2008	Morales D21/759
D562,421 S	2/2008	Jertson	
D563,498 S	3/2008	Jertson	
D564,054 S	3/2008	Jertson	
D564,055 S	3/2008	Jertson	
D564,056 S	3/2008	Chen	
D566,214 S	4/2008	Evans	

(Continued)

Primary Examiner — Mitchell Siegel

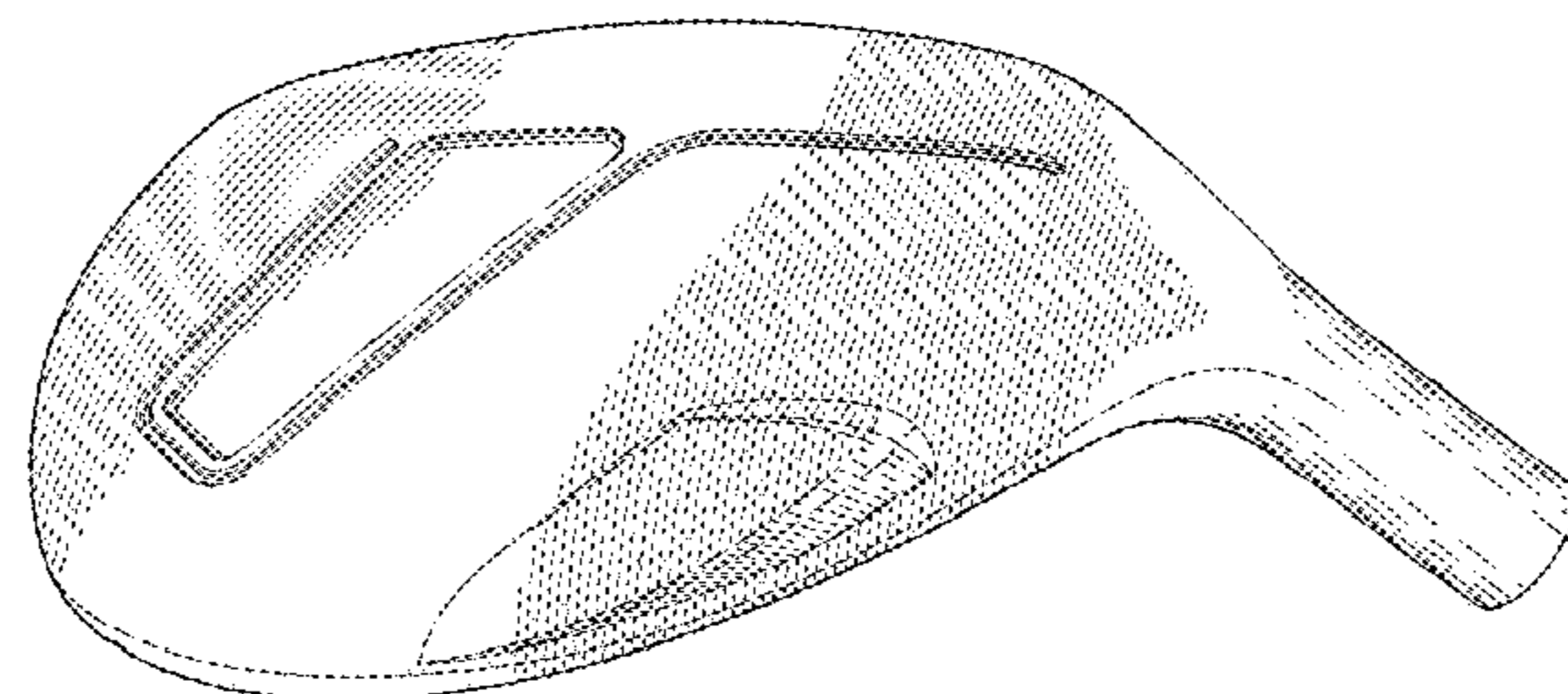
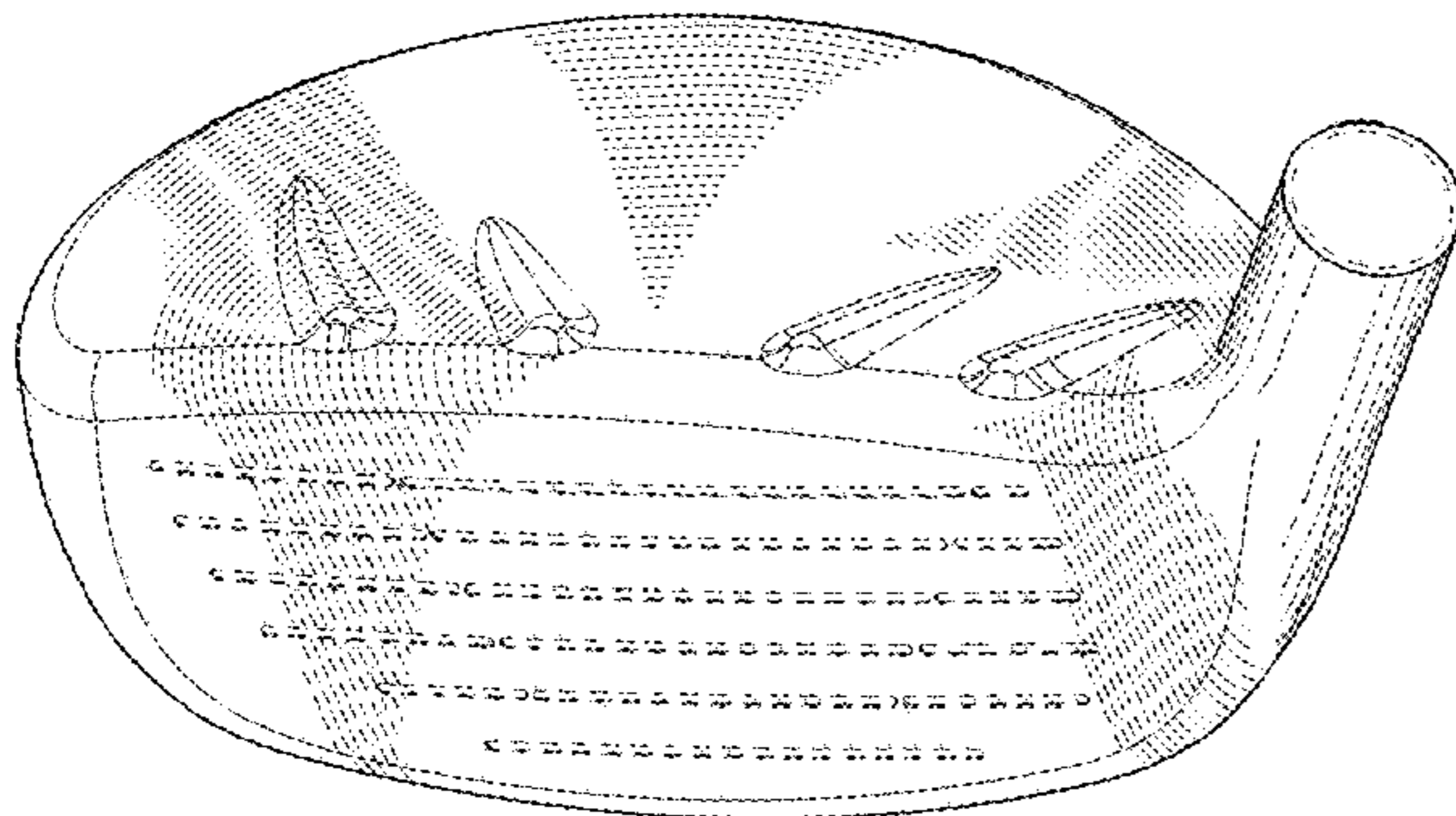
(57) **CLAIM**

The ornamental design for a golf club head, as shown and described.

DESCRIPTION

FIG. 1 is a top perspective view of a golf club head;
 FIG. 2 is a bottom perspective view of the golf club head of FIG. 1;
 FIG. 3 is a front view of the golf club head of FIG. 1;
 FIG. 4 is a rear view of the golf club head of FIG. 1;
 FIG. 5 is a top view of the golf club head of FIG. 1;
 FIG. 6 is a bottom view of the golf club head of FIG. 1;
 FIG. 7 is a left view of the golf club head of FIG. 1;
 FIG. 8 is a right view of the golf club head of FIG. 1;
 FIG. 9 is a top perspective view of a second embodiment of the golf club head of FIG. 1;
 FIG. 10 is a bottom perspective view of the golf club head of FIG. 9;
 FIG. 11 is a front view of the golf club head of FIG. 9;
 FIG. 12 is a rear view of the golf club head of FIG. 9;
 FIG. 13 is a top view of the golf club head of FIG. 9;
 FIG. 14 is a bottom view of the golf club head of FIG. 9;
 FIG. 15 is a left view of the golf club head of FIG. 9; and,
 FIG. 16 is a right view of the golf club head of FIG. 9.
 The broken lines shown in one or more of the figures are for illustrative purposes only and form no part of the claimed design.

1 Claim, 8 Drawing Sheets



(56)

References Cited

U.S. PATENT DOCUMENTS

D567,317 S 4/2008 Jertson
 D567,891 S 4/2008 Serrano
 D569,933 S 5/2008 Jertson
 D569,934 S 5/2008 Jertson
 D569,935 S 5/2008 Schweigert
 D569,936 S 5/2008 Schweigert
 D569,937 S 5/2008 Sanchez
 D569,938 S 5/2008 Sanchez
 D570,937 S 6/2008 Schweigert
 D570,938 S 6/2008 Jertson
 D570,939 S 6/2008 Chen
 D570,940 S 6/2008 Chen
 D570,941 S 6/2008 Chen
 D571,882 S 6/2008 Sorrao
 D572,324 S 7/2008 Chen
 D572,782 S 7/2008 Sanchez
 D572,783 S 7/2008 Sanchez
 D572,784 S 7/2008 Sanchez
 D572,785 S 7/2008 Chen
 D572,787 S 7/2008 Sanchez
 D572,791 S 7/2008 Jertson
 D573,213 S 7/2008 Sanchez
 D573,214 S 7/2008 Sanchez
 D573,215 S 7/2008 Sanchez
 D573,216 S 7/2008 Sanchez
 D573,217 S 7/2008 Sanchez
 D573,218 S 7/2008 Sanchez
 D573,674 S 7/2008 Sanchez
 D573,675 S 7/2008 Sanchez
 D573,676 S 7/2008 Chen
 D573,678 S 7/2008 Kawami
 D574,046 S 7/2008 Chen
 D574,048 S 7/2008 Kadoya
 D574,049 S 7/2008 Kadoya
 D574,050 S 7/2008 Jones
 7,396,296 B2 7/2008 Evans
 D574,456 S 8/2008 Chen
 D578,587 S 10/2008 Hoffman
 D579,066 S 10/2008 Dipert
 D579,067 S 10/2008 Hoffman
 D580,504 S 11/2008 Bosilkovski
 D583,432 S 12/2008 Serrano
 D587,772 S 3/2009 Ferguson
 D588,217 S 3/2009 Jertson
 D588,220 S 3/2009 Ferguson
 D588,659 S 3/2009 Jertson
 D589,576 S 3/2009 Kadoya
 7,503,854 B2 3/2009 Galloway
 D591,810 S 5/2009 Murphy
 D591,816 S 5/2009 Vehse
 D591,817 S 5/2009 Murphy
 D591,818 S 5/2009 Roberts
 D594,518 S 6/2009 Schweigert
 D594,521 S 6/2009 Jertson
 D594,919 S 6/2009 Schweigert
 D595,381 S 6/2009 Waggoner
 D596,252 S 7/2009 Jertson
 D598,062 S 8/2009 Dipert
 D600,297 S 9/2009 Jertson
 D603,472 S 11/2009 Schweigert

D603,919 S 11/2009 Gray
 D604,376 S 11/2009 Darley
 D609,293 S 2/2010 Williams
 D609,294 S 2/2010 Oldknow
 D611,555 S 3/2010 Oldknow
 D612,005 S 3/2010 Oldknow
 D613,805 S 4/2010 Sutovsky
 7,717,807 B2 5/2010 Evans et al.
 D618,747 S 6/2010 Schweigert
 D618,753 S 6/2010 Jertson
 D618,754 S * 6/2010 Schweigert D21/759
 D621,892 S 8/2010 Kohno
 7,892,111 B2 2/2011 Morales
 D635,626 S 4/2011 Nicolette
 D638,896 S 5/2011 Schweigert
 7,934,998 B2 5/2011 Yokota
 8,012,034 B1 9/2011 Cackett
 8,012,038 B1 9/2011 Beach et al.
 D647,585 S 10/2011 Jertson
 D661,751 S 6/2012 Nicolette
 D661,752 S 6/2012 Stokke
 D661,756 S 6/2012 Nicolette
 D661,757 S * 6/2012 Stokke D21/759
 D666,262 S * 8/2012 Clausen D21/752
 8,235,841 B2 8/2012 Stites et al.
 D669,546 S 10/2012 Llewellyn
 D669,948 S 10/2012 Sakamoto
 D669,949 S 10/2012 Sakamoto
 8,337,319 B2 12/2012 Sargent et al.
 8,337,326 B2 12/2012 Lukasiewicz, Jr.
 8,337,328 B2 12/2012 Foster et al.
 D673,630 S 1/2013 Schweigert
 D673,632 S 1/2013 Schweigert
 D680,179 S 4/2013 Solheim
 D686,291 S 7/2013 Foster
 D687,503 S 8/2013 Solheim
 D689,156 S * 9/2013 Stokke D21/759
 D691,230 S 10/2013 Chen et al.
 D696,739 S 12/2013 Stokke et al.
 D705,879 S * 5/2014 Chen D21/752
 D707,765 S 6/2014 Engel
 D709,153 S 7/2014 Fossum et al.
 D709,574 S * 7/2014 Bacon D21/759
 D720,025 S * 12/2014 Nicolette D21/759
 D720,418 S * 12/2014 Chen D21/759
 D721,147 S 1/2015 Chen
 D721,777 S * 1/2015 Chen D21/759
 D754,271 S 4/2016 Chen
 D755,317 S 5/2016 Chen
 D763,983 S 8/2016 Tang
 2006/0052181 A1 * 3/2006 Serrano A63B 53/0466
 473/345
 2008/0153625 A1 * 6/2008 Morales A63B 53/0466
 473/345
 2008/0171612 A1 7/2008 Serrano
 2008/0188322 A1 8/2008 Anderson
 2009/0275419 A1 11/2009 Cackett
 2010/0267461 A1 10/2010 Stites
 2011/0053702 A1 3/2011 Stites et al.
 2011/0143858 A1 6/2011 Peralta
 2012/0252597 A1 10/2012 Thomas
 2013/0029781 A1 1/2013 Beno et al.

* cited by examiner

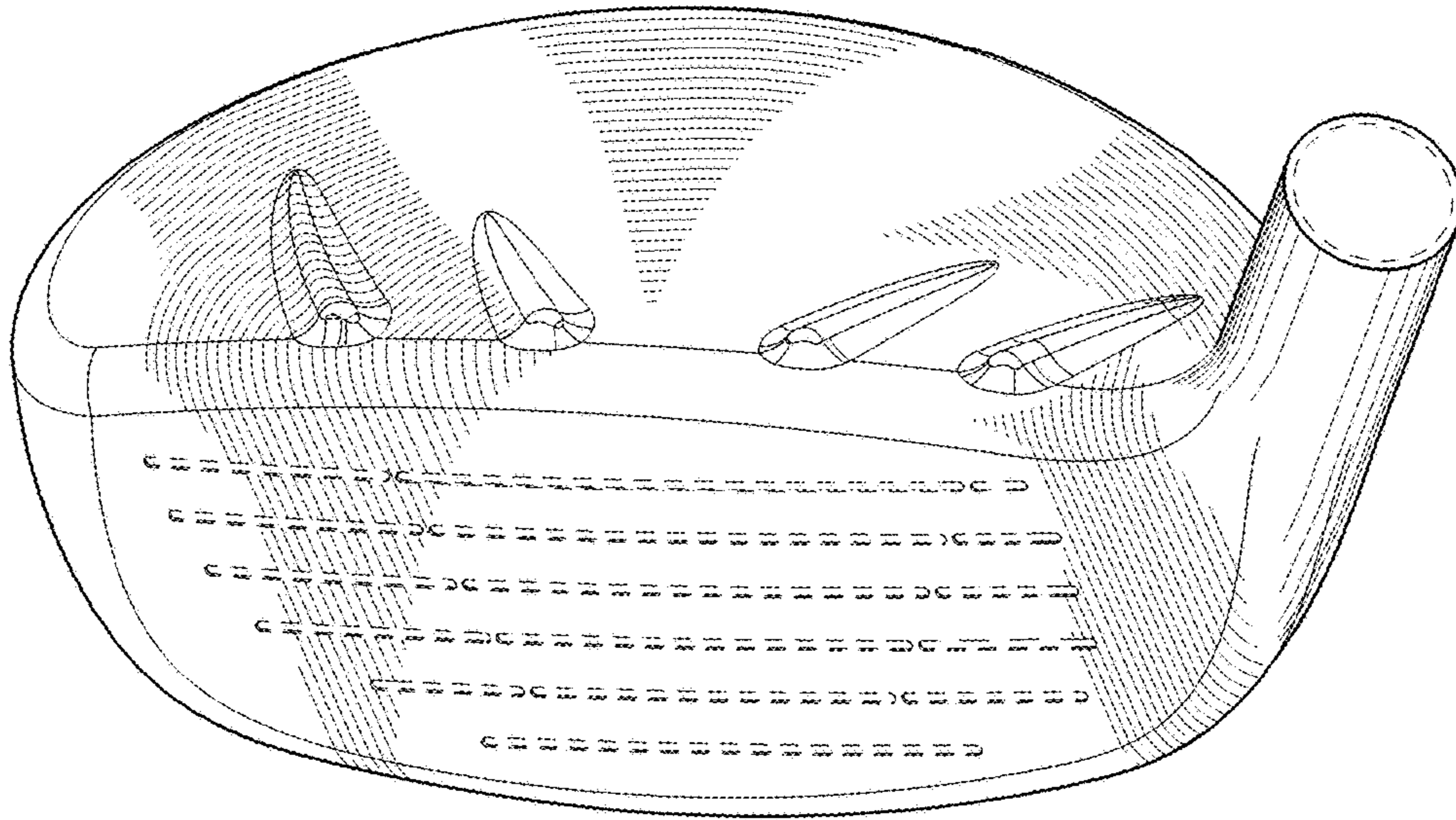


Fig. 1

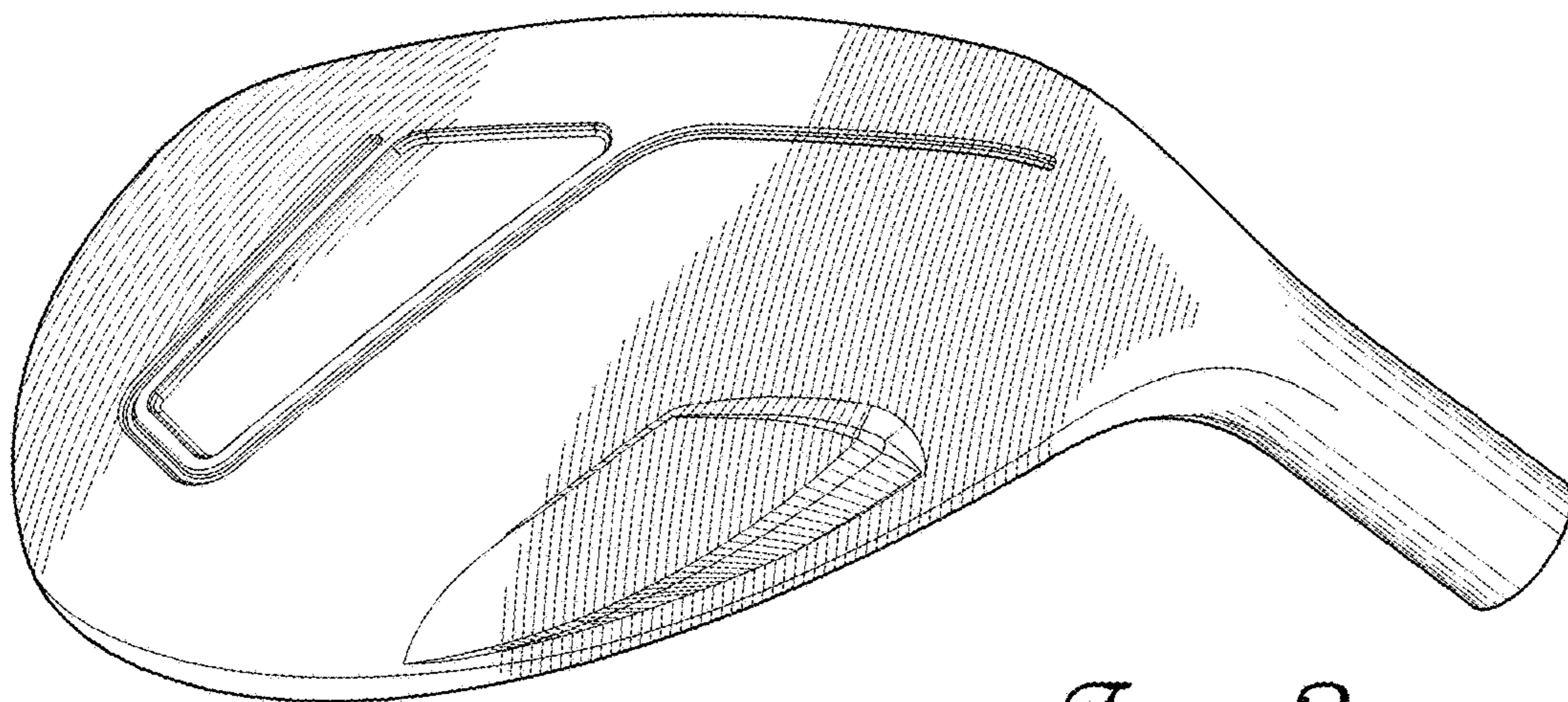


Fig. 2

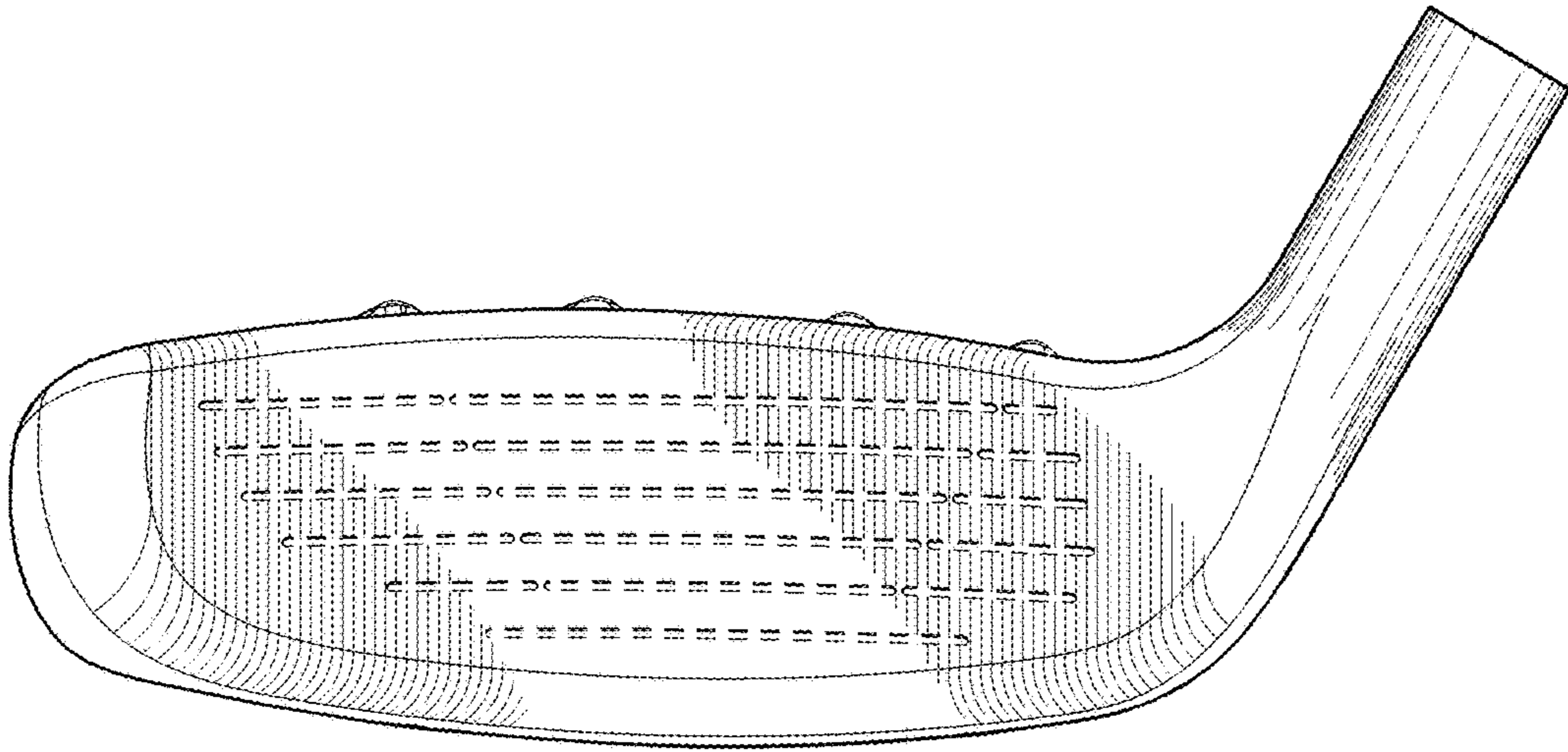


Fig. 3

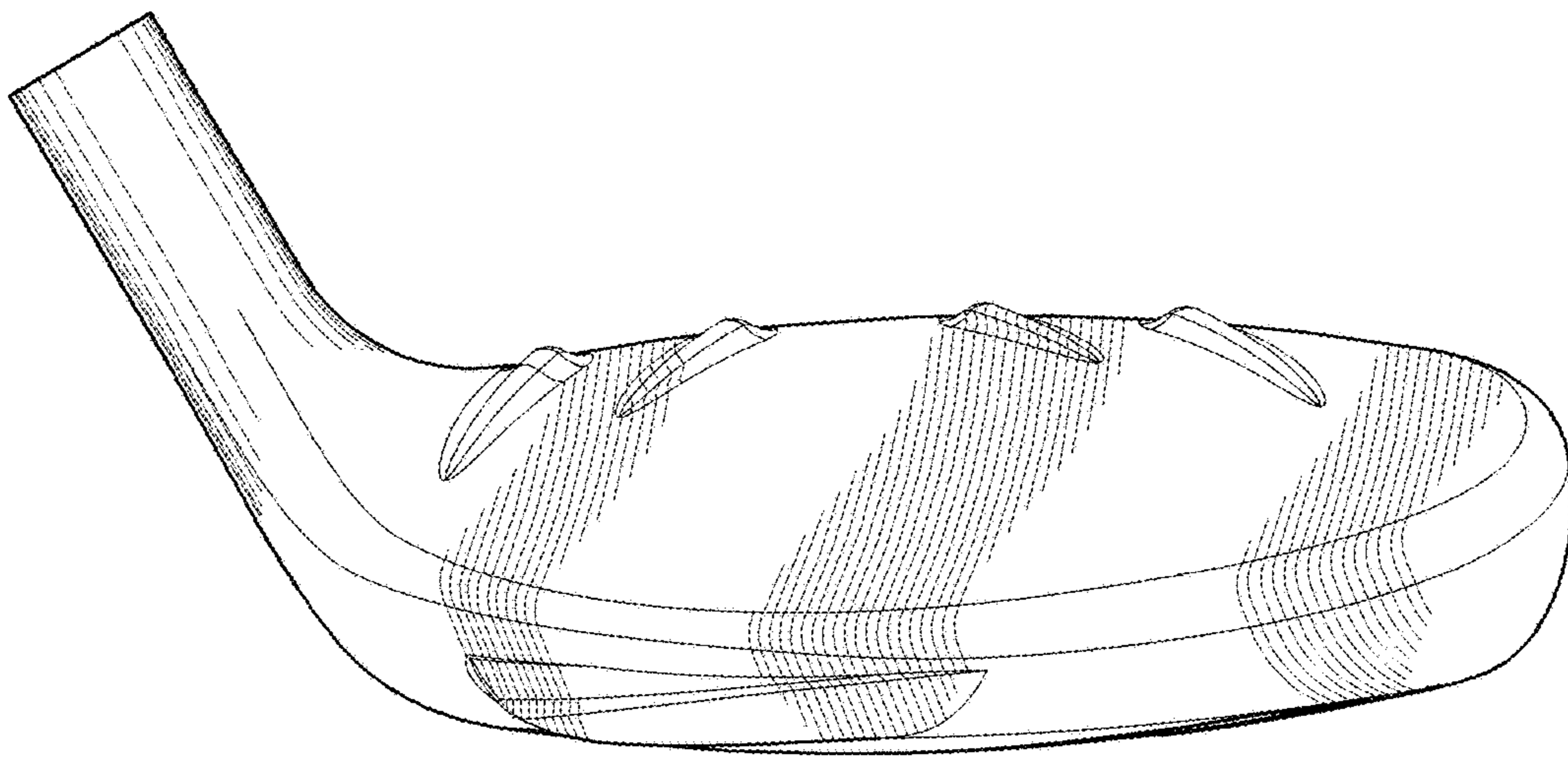


Fig. 4

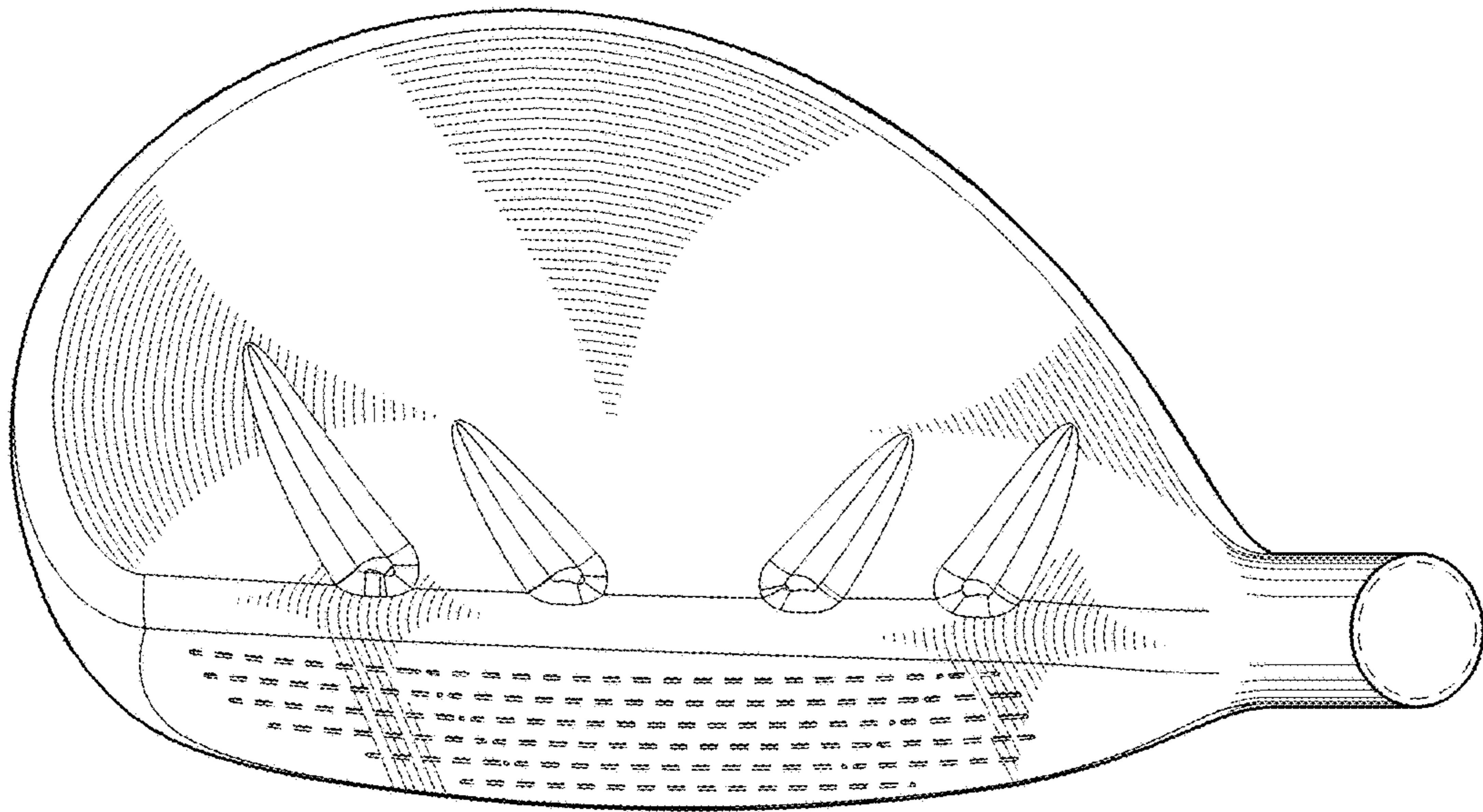


Fig. 5

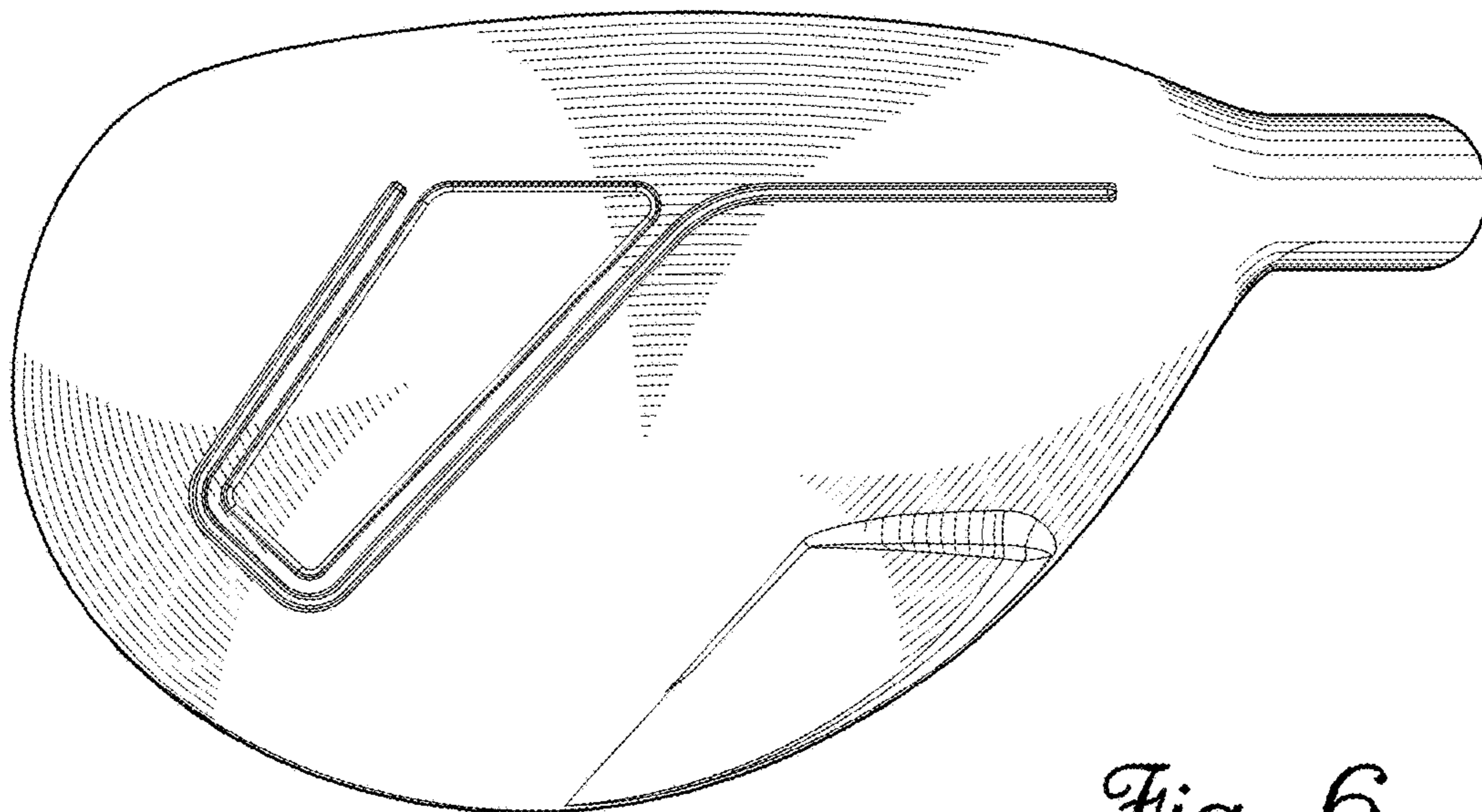


Fig. 6

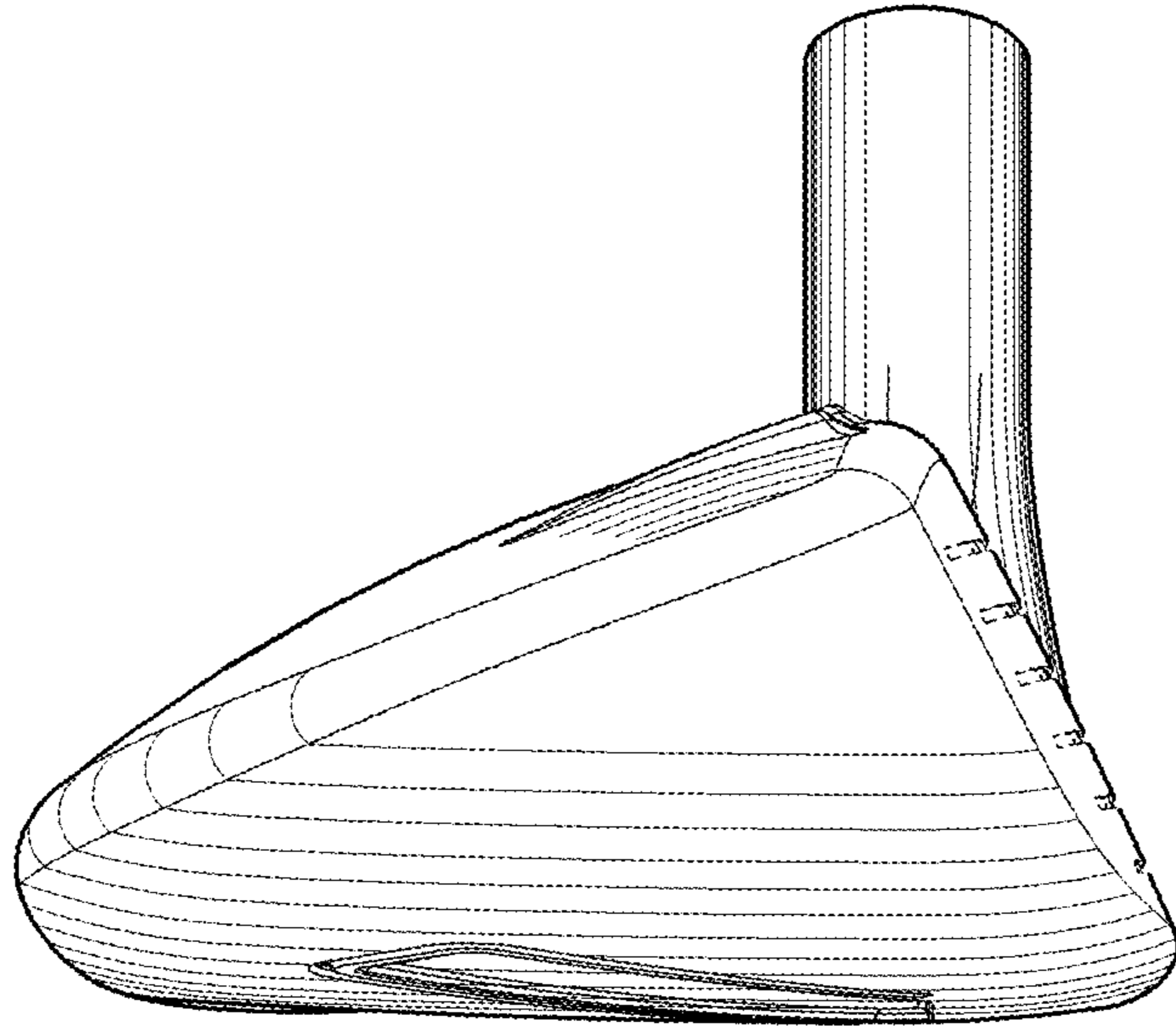


Fig. 7

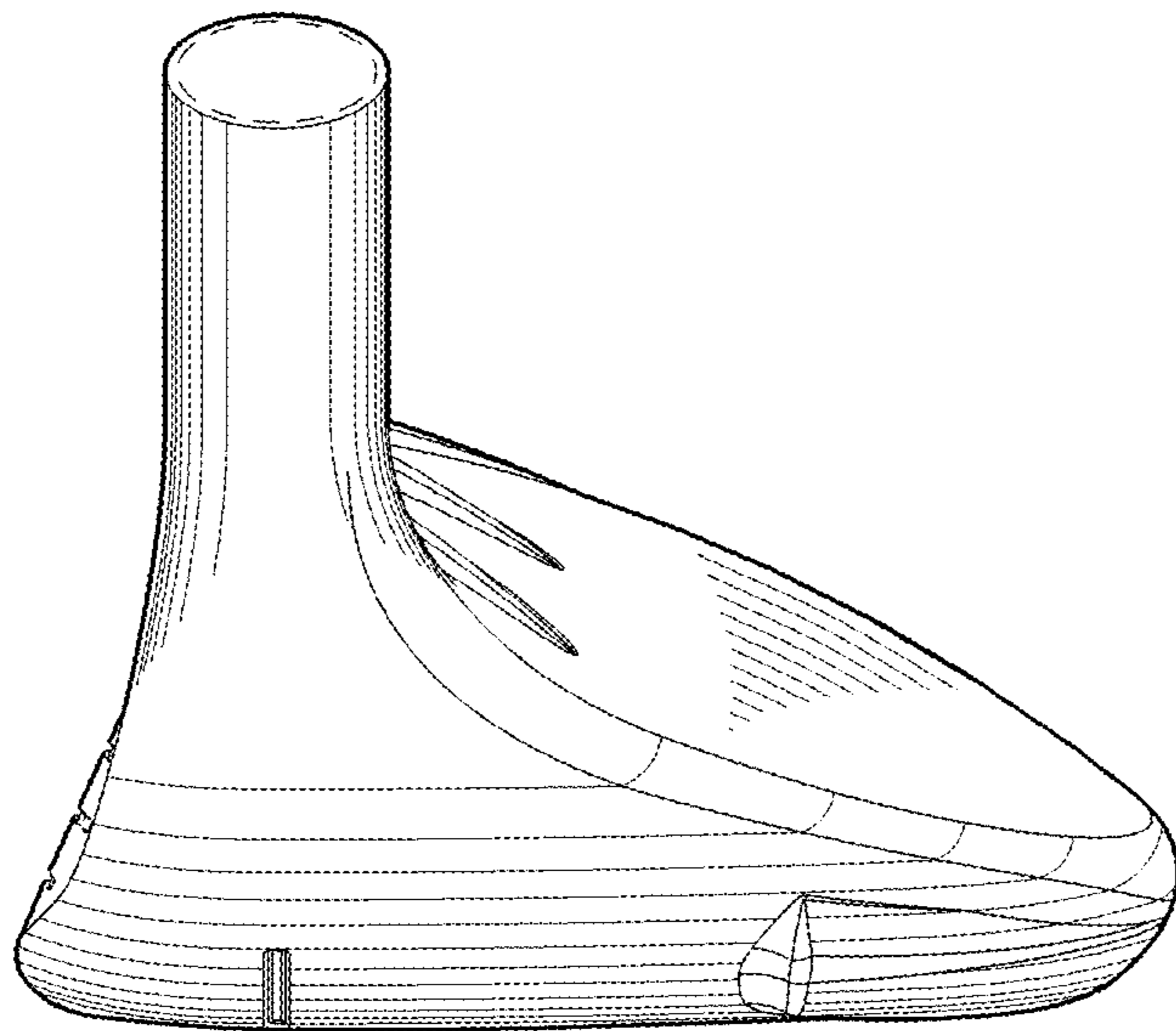


Fig. 8

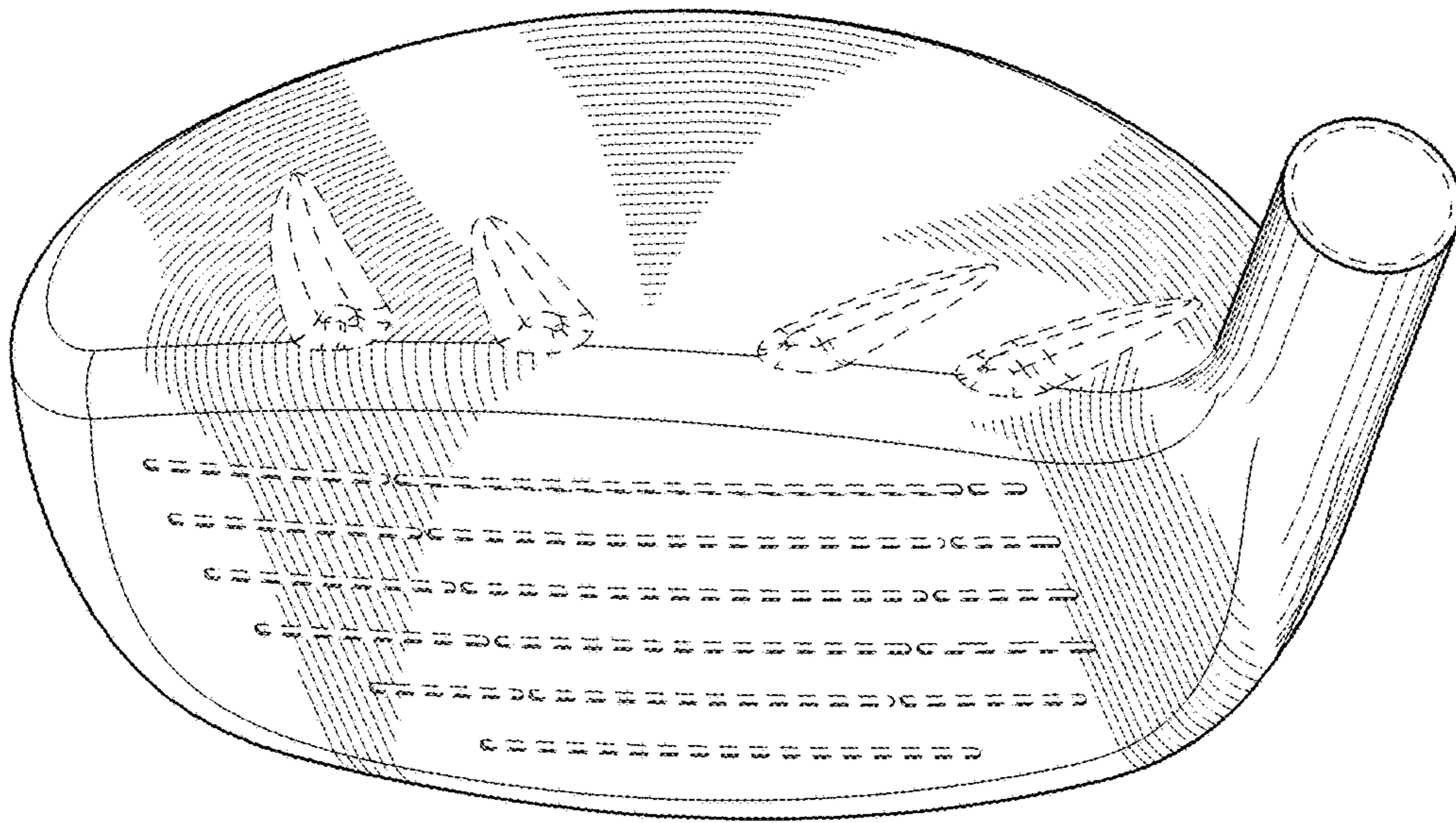


Fig. 9

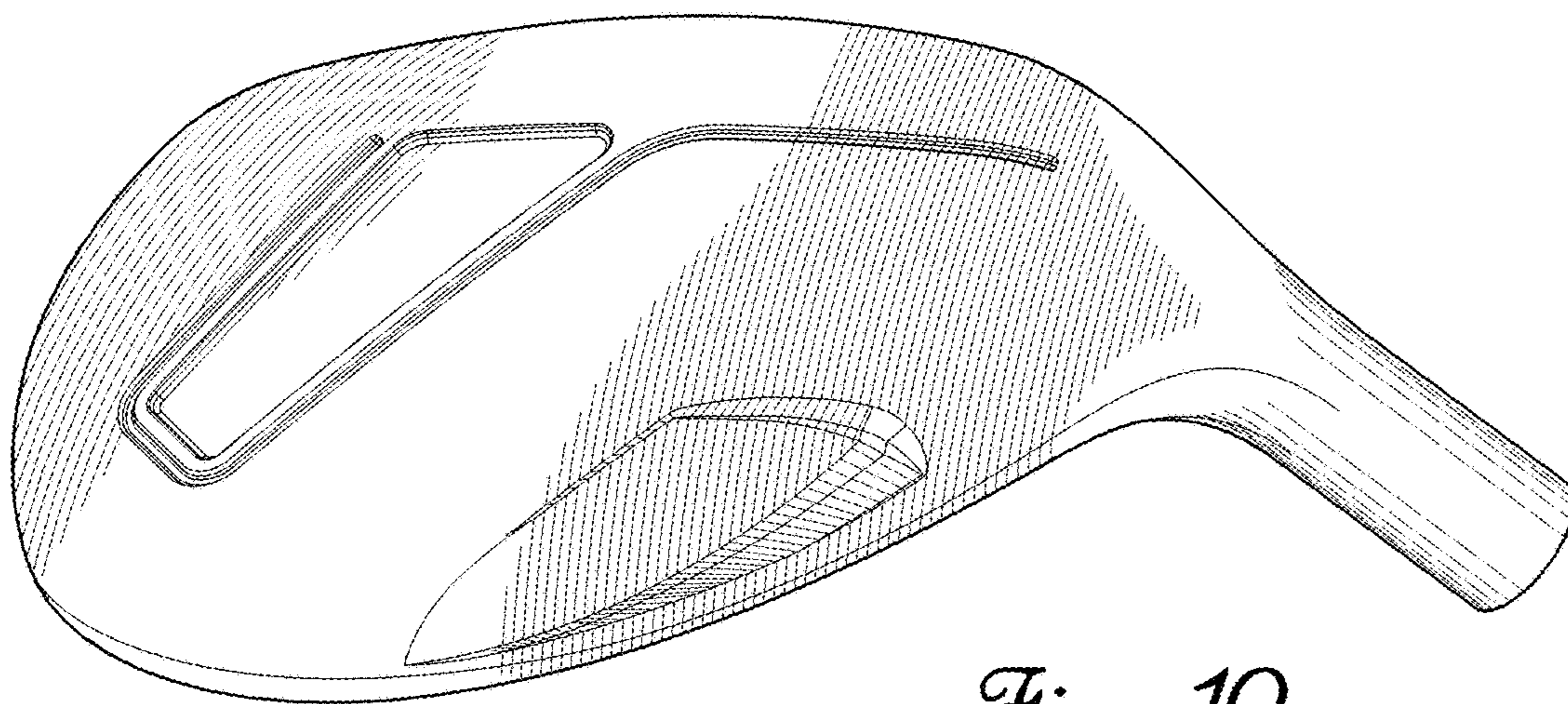


Fig. 10

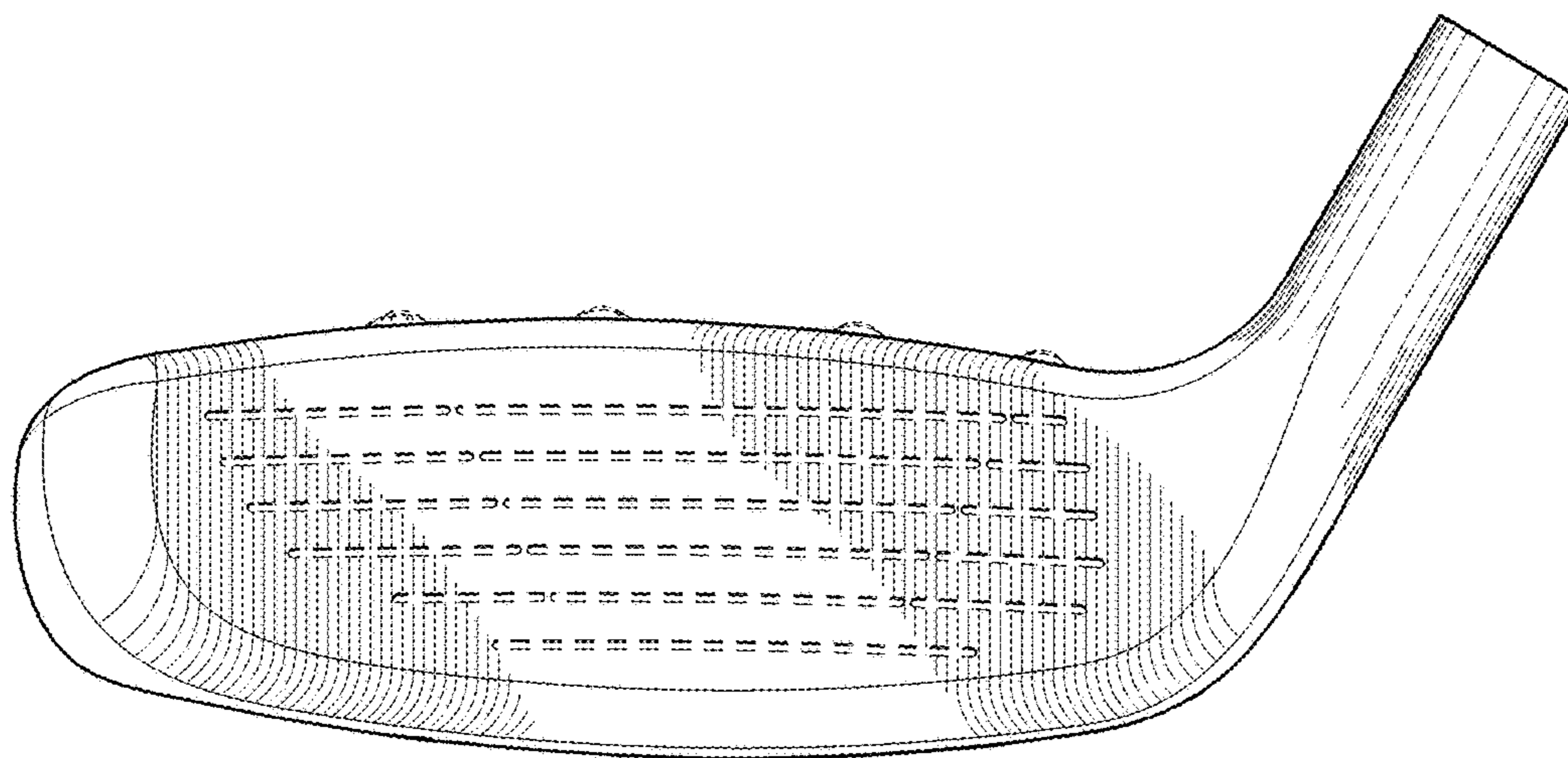


Fig. 11

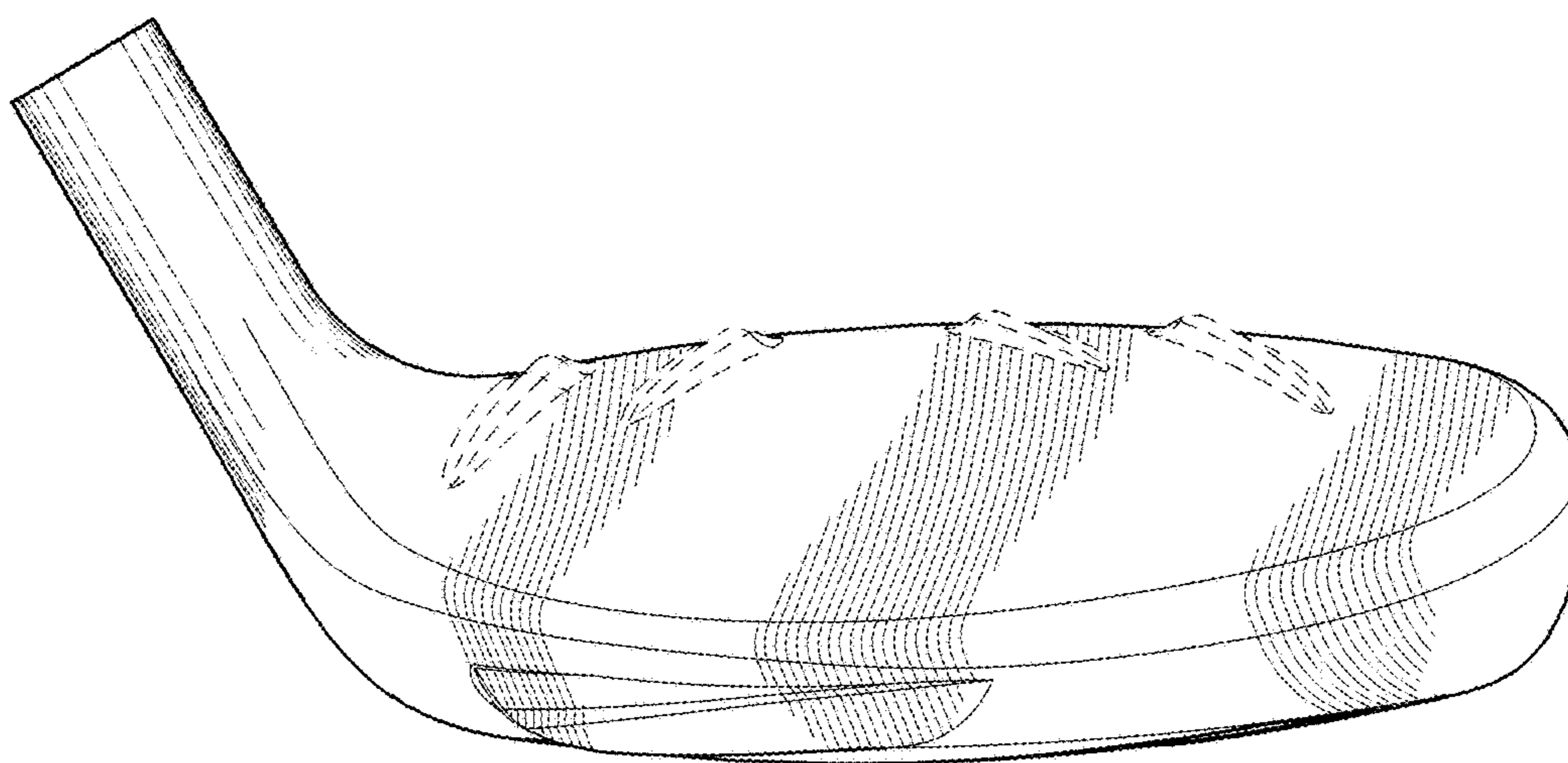


Fig. 12

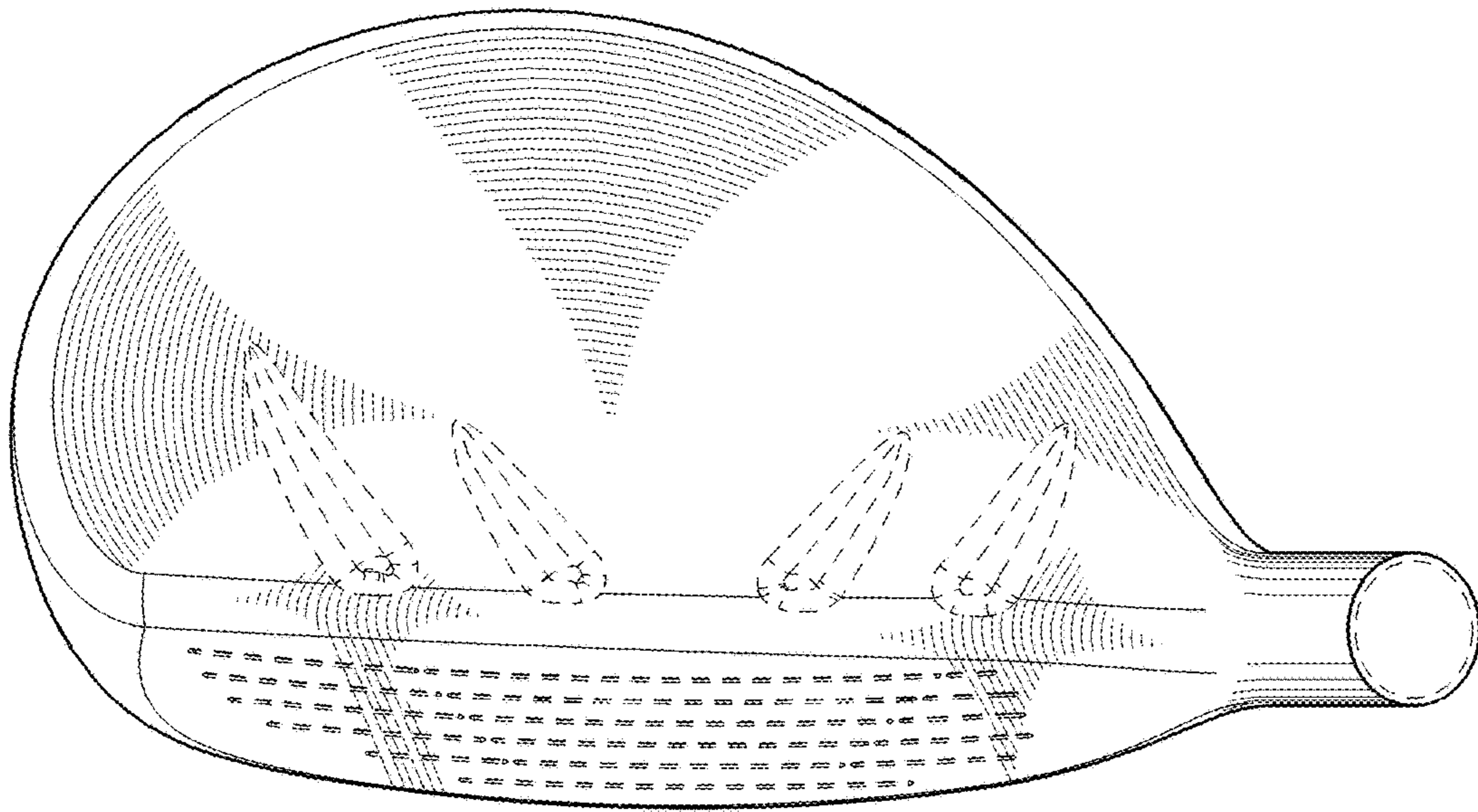


Fig. 13

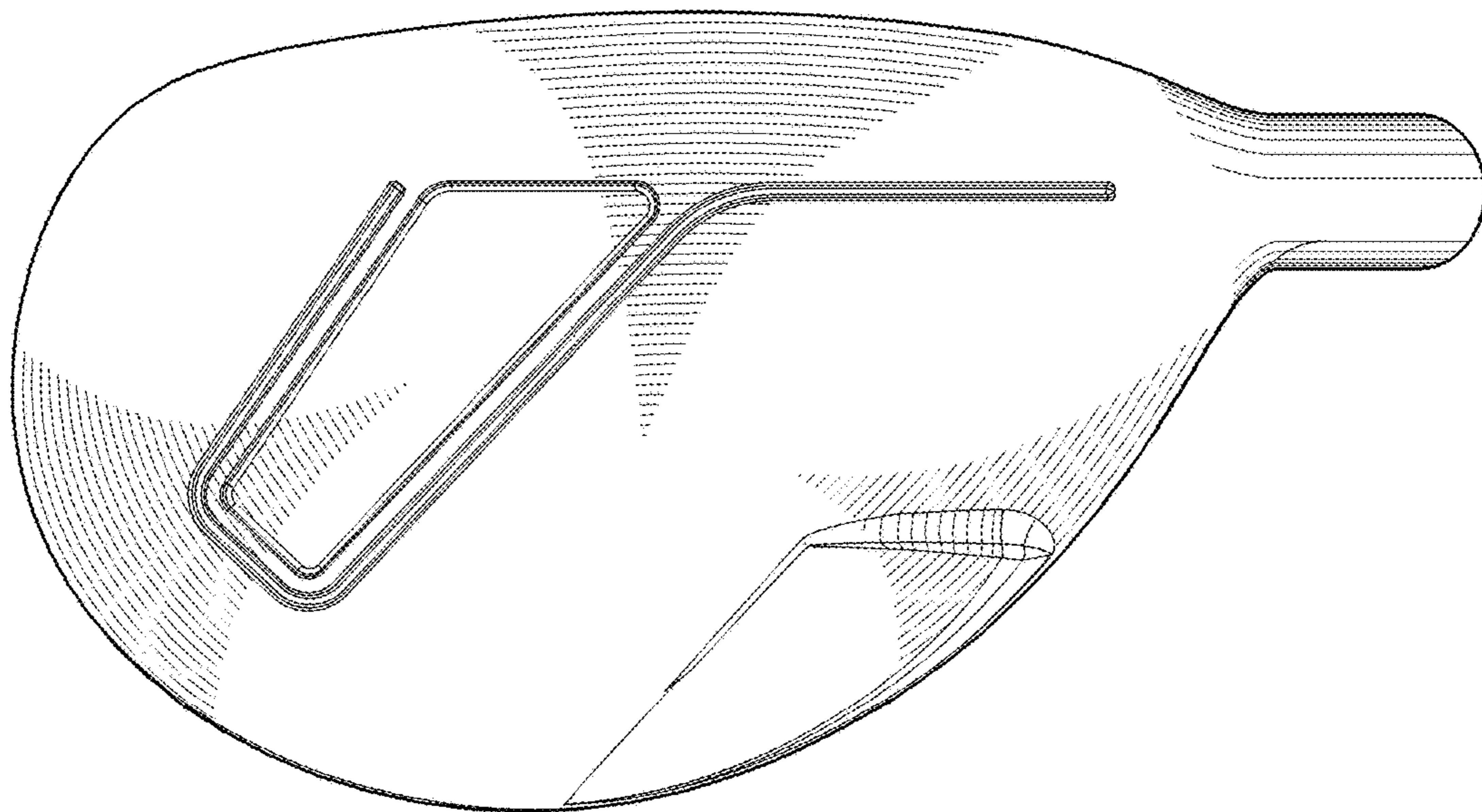


Fig. 14

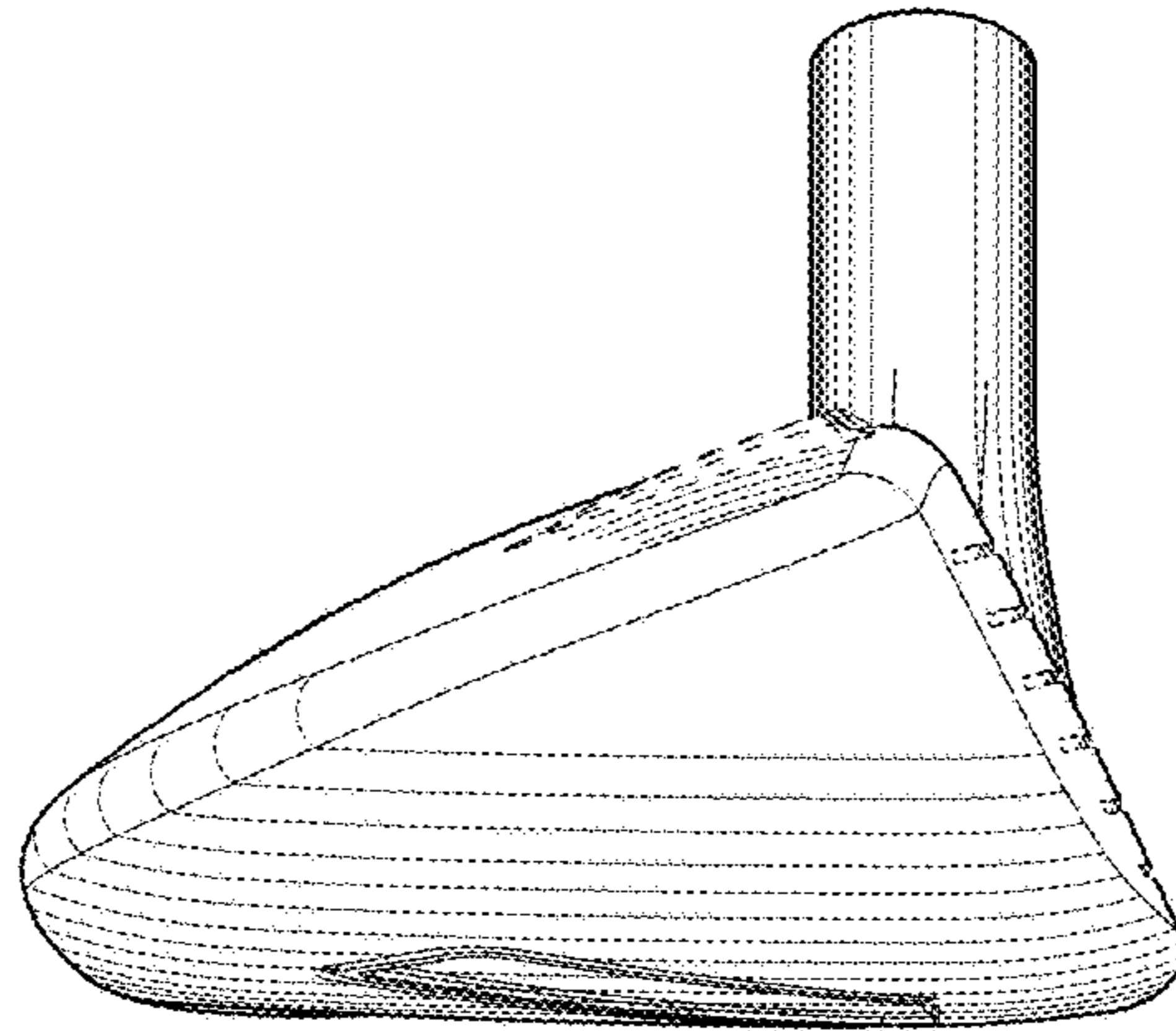


Fig. 15

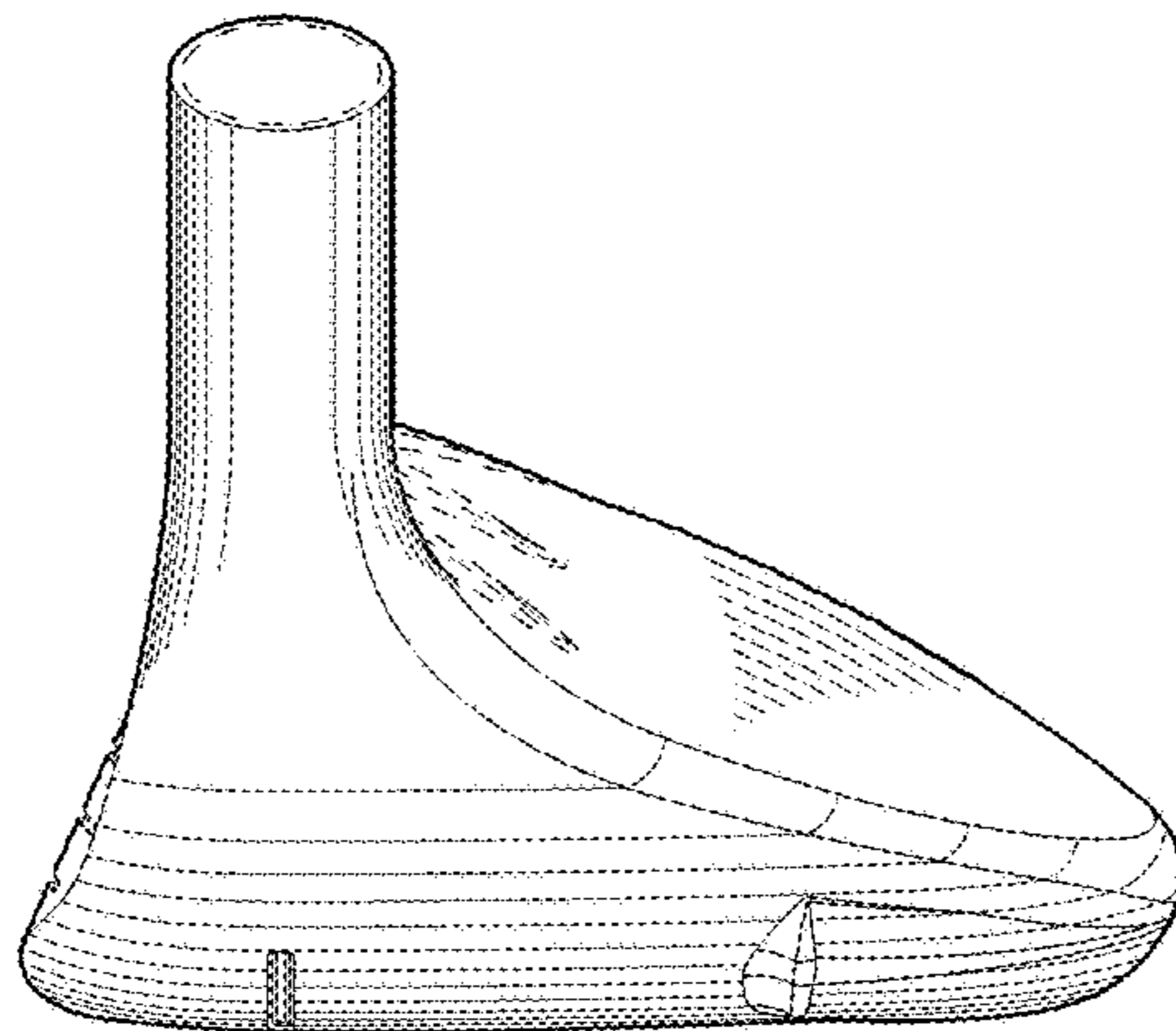


Fig. 16