



US00D794732S

(12) **United States Design Patent** (10) **Patent No.:** **US D794,732 S**
Jertson et al. (45) **Date of Patent:** **** Aug. 15, 2017**

(54) **GOLF CLUB HEAD**
(71) Applicant: **Karsten Manufacturing Corporation**,
Phoenix, AZ (US)
(72) Inventors: **Martin R. Jertson**, Cave Creek, AZ
(US); **Daniel K. Lee**, Chandler, AZ
(US)
(73) Assignee: **Karsten Manufacturing Corporation**,
Phoenix, AZ (US)
(**) Term: **15 Years**
(21) Appl. No.: **29/559,192**
(22) Filed: **Mar. 25, 2016**
(51) **LOC (10) Cl.** **21-02**
(52) **U.S. Cl.**
USPC **D21/744**
(58) **Field of Classification Search**
USPC D21/733-752, 759
CPC ... A63B 53/065; A63B 53/0487; A63B 53/00;
A63B 53/04; A63B 53/007
See application file for complete search history.

D488,526 S 4/2004 Souza
D500,109 S 12/2004 Solheim
D500,110 S 12/2004 Solheim
6,837,801 B1 1/2005 Souza
6,878,071 B1 4/2005 Schwieger
6,893,355 B2 5/2005 Souza
6,902,496 B2 6/2005 Solheim
D507,612 S 7/2005 Souza
6,926,615 B1 8/2005 Souza
D511,802 S * 11/2005 Cameron D21/744
6,960,140 B2 11/2005 Solheim
6,966,845 B2 11/2005 Solheim
D514,181 S * 1/2006 Cameron D21/738
D520,584 S 5/2006 Karlsen
D521,582 S 5/2006 Souza
7,052,411 B2 5/2006 Solheim
D522,598 S 6/2006 Solheim
7,077,758 B2 7/2006 Rohrer
7,086,957 B2 8/2006 Solheim
D527,777 S 9/2006 Solheim

(Continued)

Primary Examiner — Mitchell Siegel

(57) **CLAIM**

The ornamental design for a golf club head, as shown and described.

DESCRIPTION

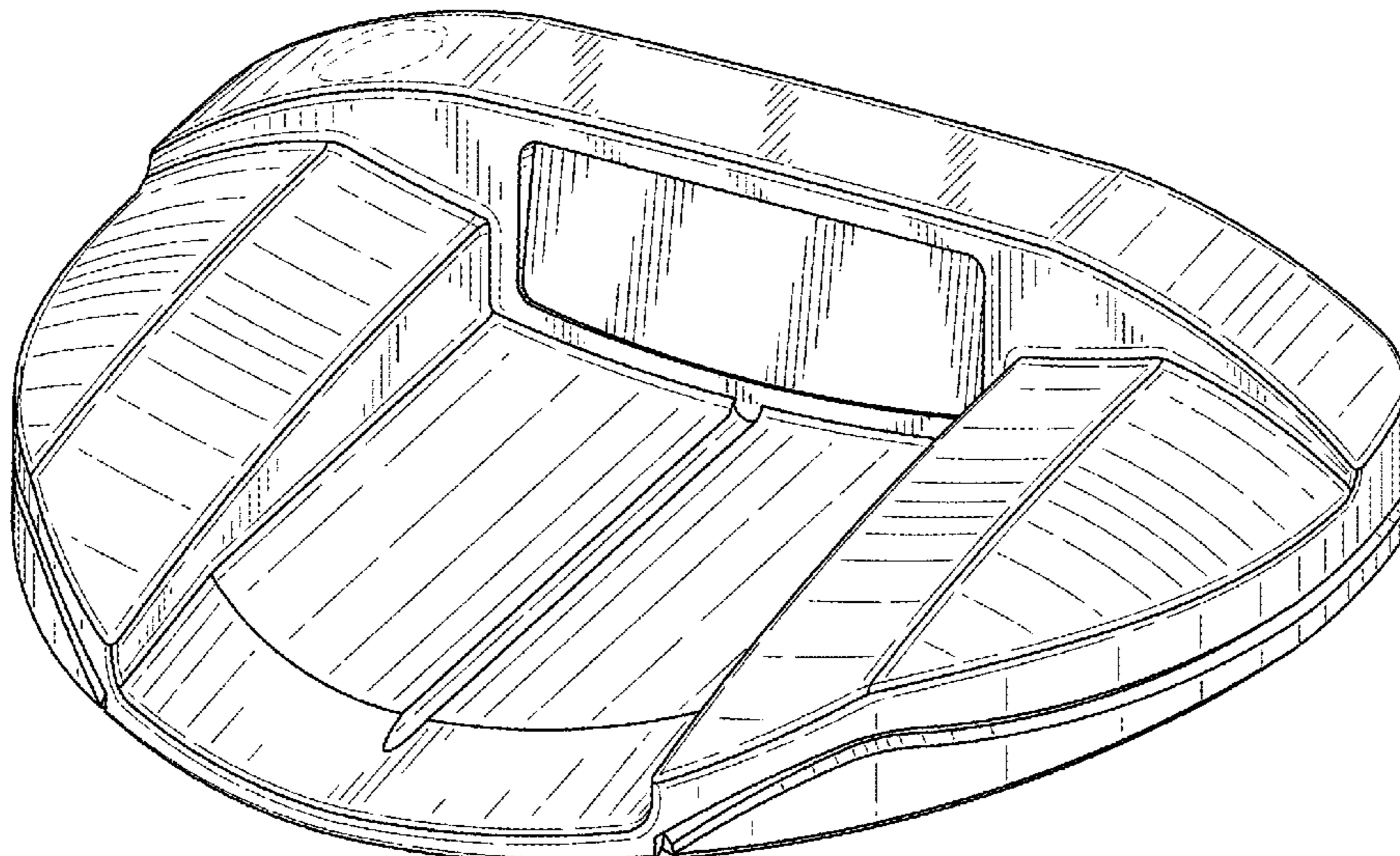
FIG. 1 is a top perspective view of a golf club head;
FIG. 2 is a bottom perspective view of the golf club head of FIG. 1;
FIG. 3 is a front view of the golf club head of FIG. 1;
FIG. 4 is a rear view of the golf club head of FIG. 1;
FIG. 5 is a top view of the golf club head of FIG. 1;
FIG. 6 is a bottom view of the golf club head of FIG. 1;
FIG. 7 is a left view of the golf club head of FIG. 1; and,
FIG. 8 is a right view of the golf club head of FIG. 1.
The broken lines shown in one or more of the figures are for illustrative purposes only and form no part of the claimed design.

1 Claim, 6 Drawing Sheets

(56) **References Cited**

U.S. PATENT DOCUMENTS

3,884,477 A 5/1975 Bianco
4,030,766 A 6/1977 Derr
D316,129 S 4/1991 Bryson
5,275,412 A 1/1994 Innes
5,685,784 A 11/1997 Butler
D400,942 S * 11/1998 Billings D21/742
D402,343 S * 12/1998 Helmstetter D21/736
D429,297 S * 8/2000 Hettinger D21/744
6,159,108 A 12/2000 De La Pena
D447,782 S * 9/2001 Hettinger D21/744
6,379,259 B1 4/2002 Opie
6,478,690 B2 * 11/2002 Helmstetter A63B 53/0487
473/324



(56)

References Cited

U.S. PATENT DOCUMENTS

D529,108 S	9/2006	Stites	7,803,066 B2	9/2010	Solheim
D532,847 S	11/2006	Rollinson	7,815,515 B1	10/2010	Hunt
D533,243 S	12/2006	Fife	D638,891 S	5/2011	Nicolette
D543,598 S *	5/2007	Kuan D21/736	D640,341 S	6/2011	Foster et al.
7,235,021 B2	6/2007	Solheim	D643,080 S	8/2011	Serrano
D548,295 S	8/2007	Jertson	D643,485 S	8/2011	Nicolette
7,255,650 B2	8/2007	Braynt	D643,486 S	8/2011	Serrano
D552,197 S	10/2007	Wells	D643,487 S	8/2011	Serrano
D564,606 S	3/2008	Oldknow	8,100,779 B2	1/2012	Solheim
D565,137 S	3/2008	Oldknow	D653,718 S	2/2012	Stokke
D569,462 S	5/2008	Rollinson	8,109,838 B2	2/2012	Solheim
7,371,185 B1	5/2008	Rohrer	8,128,505 B2	3/2012	Tryner et al.
D581,473 S	11/2008	Thomas	D664,617 S	7/2012	Serrano
D583,003 S	12/2008	Solheim	D691,681 S	10/2013	Hilton
D587,325 S	2/2009	Solheim	D720,022 S *	12/2014	Rollinson D21/736
D595,372 S	6/2009	Rollinson	D720,023 S *	12/2014	Rollinson D21/736
D600,760 S	9/2009	Serrano	D722,351 S *	2/2015	Parsons D21/736
D600,761 S	9/2009	Solheim	D748,213 S *	1/2016	Parsons D21/742
D600,762 S	9/2009	Serrano	D769,996 S *	10/2016	Abbott D21/744
7,601,076 B2	10/2009	Rollinson	D774,609 S *	12/2016	Serrano D21/744
D604,782 S *	11/2009	Franklin D21/736	2005/0170904 A1	8/2005	Smeeth
D607,950 S	1/2010	Souza	2005/0233829 A1 *	10/2005	Cameron A63B 53/0487 473/340
D621,458 S	8/2010	Serrano	2006/0094533 A1	5/2006	Warren
D621,460 S	8/2010	Serrano	2006/0166755 A1	7/2006	Brown
D621,461 S	8/2010	Serrano	2007/0191135 A1	8/2007	Nilsson
D621,462 S	8/2010	Serrano	2008/0096686 A1	4/2008	Bilkhu
D621,891 S	8/2010	Serrano	2010/0227704 A1	9/2010	Souza
			2012/0115628 A1	5/2012	Woods

* cited by examiner

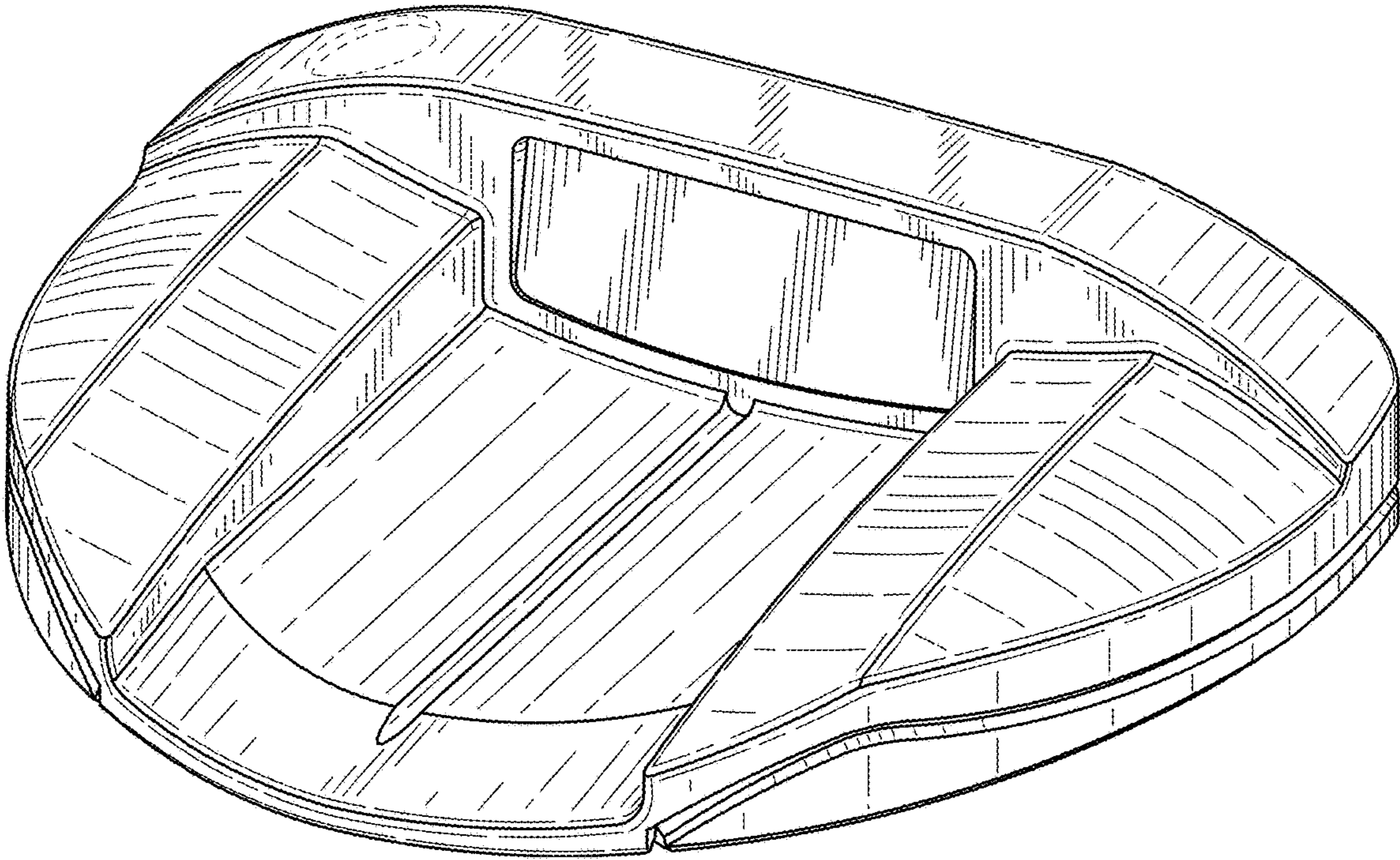


FIG. 1

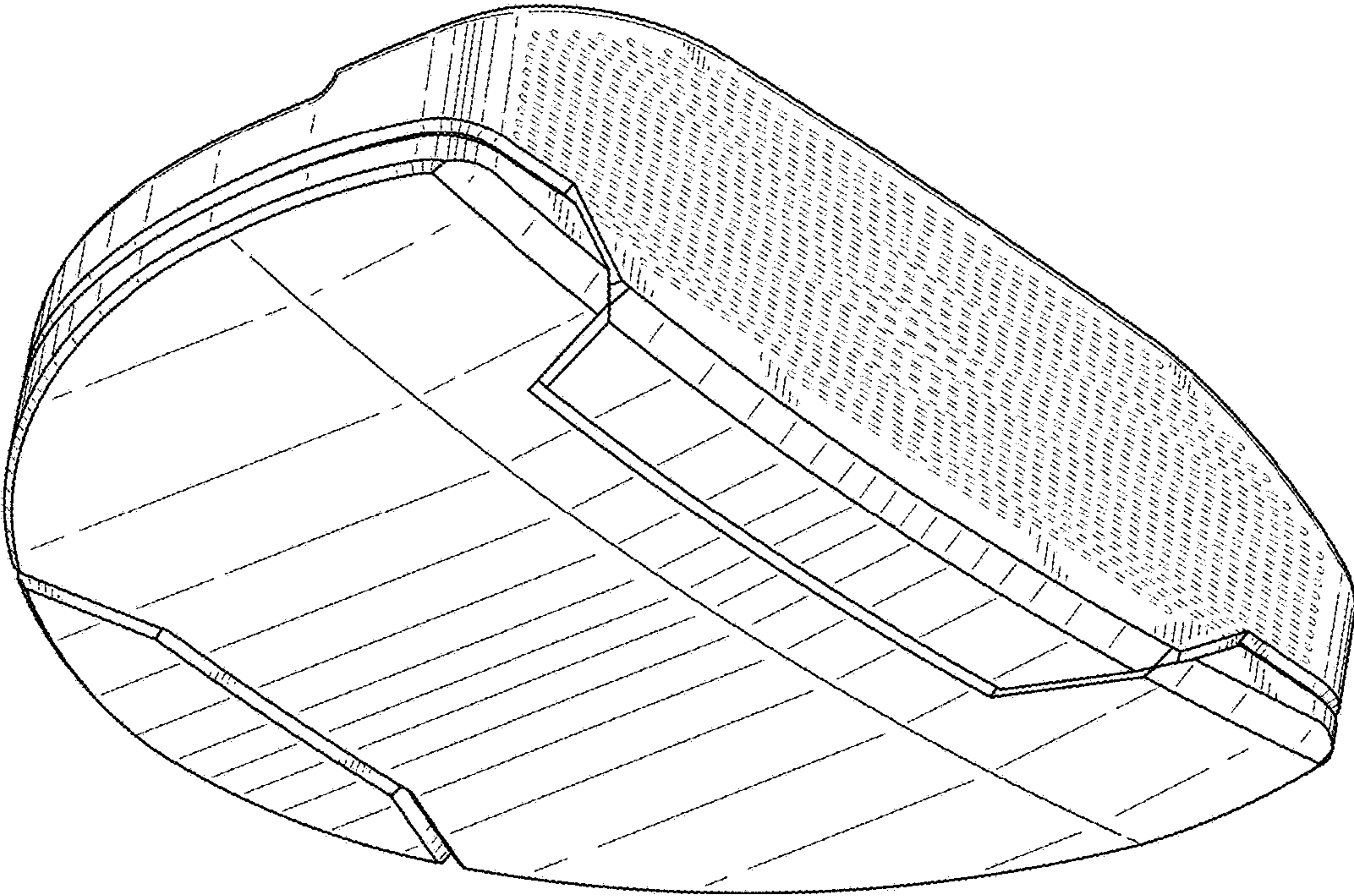


FIG. 2

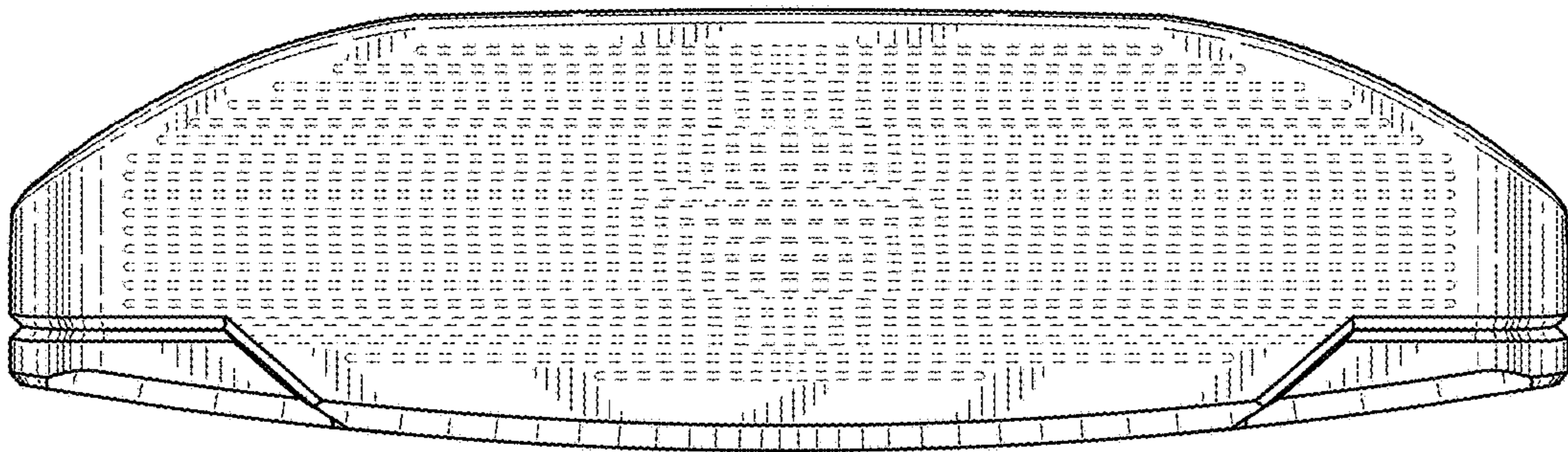


FIG. 3

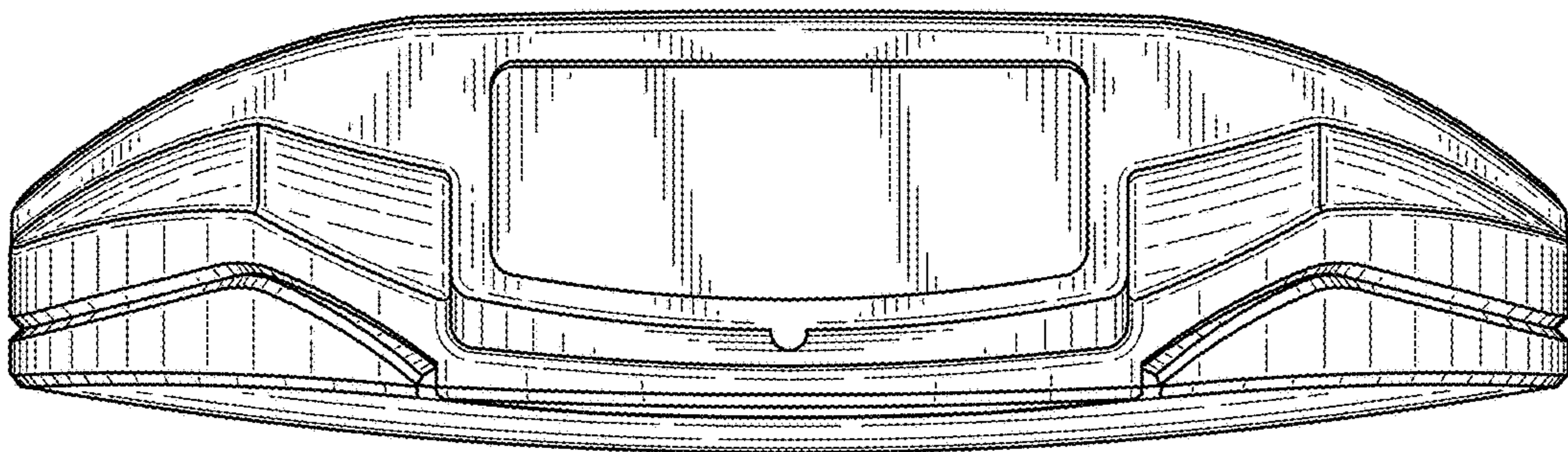


FIG. 4

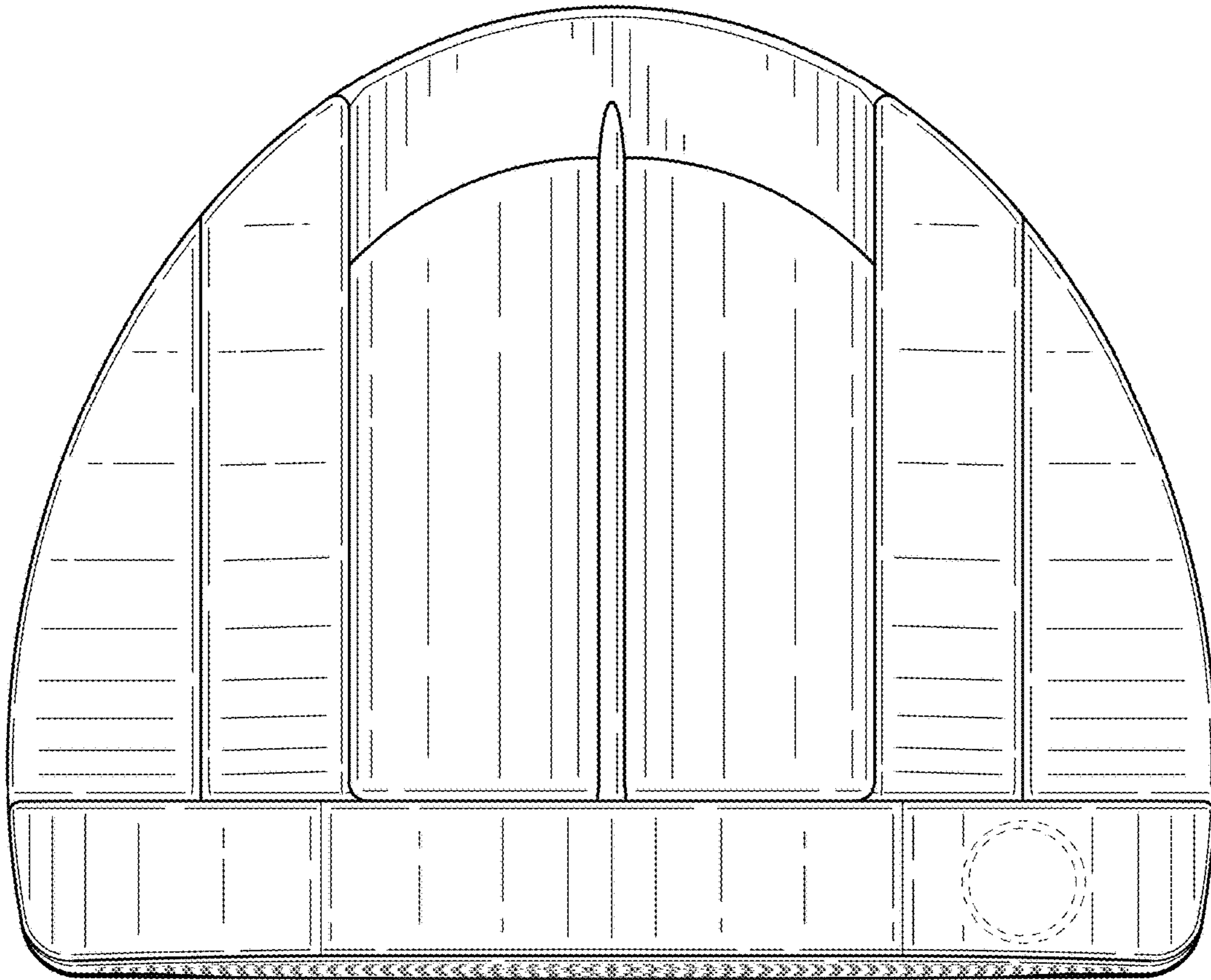


FIG. 5

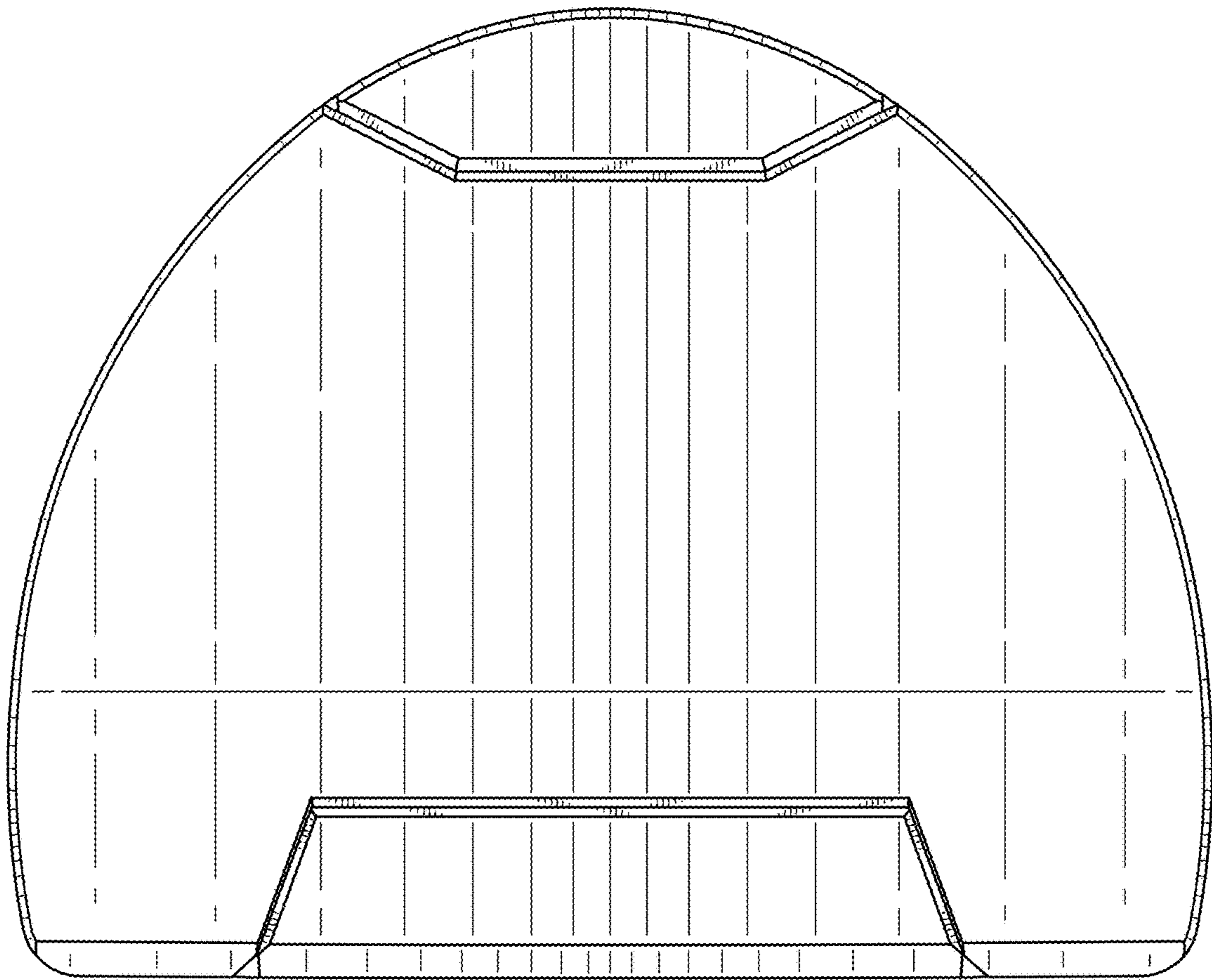


FIG. 6

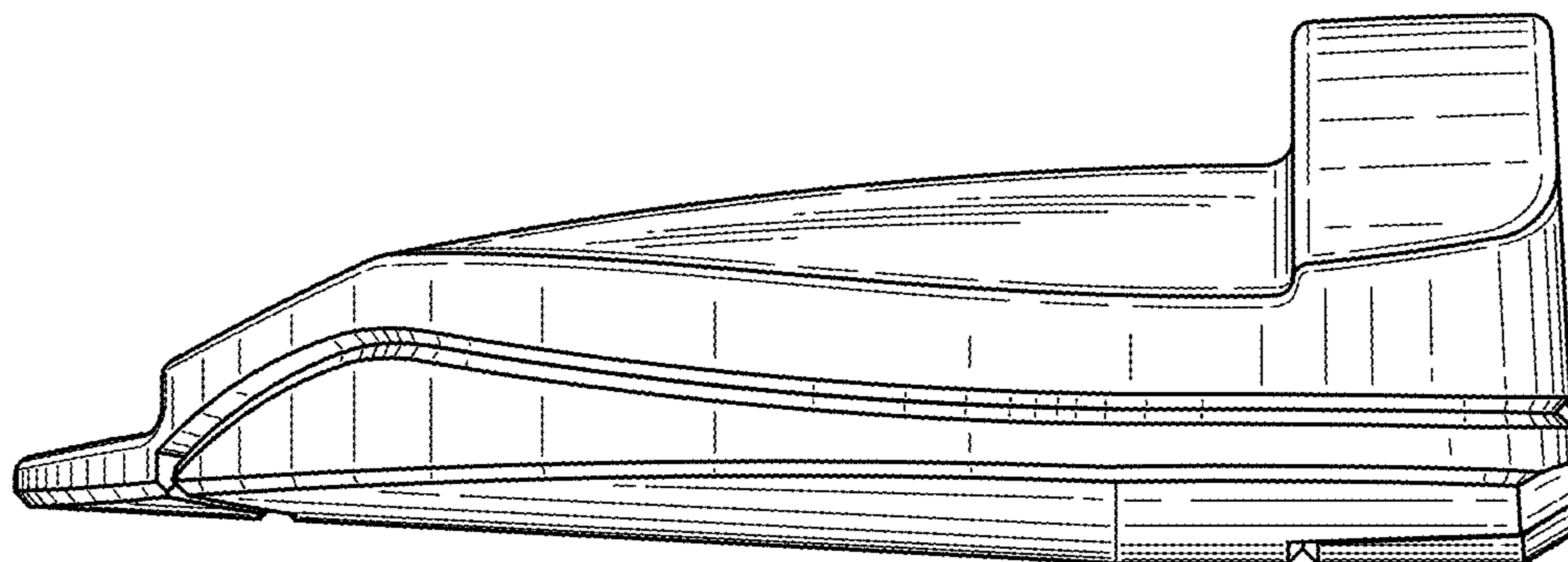


FIG. 7

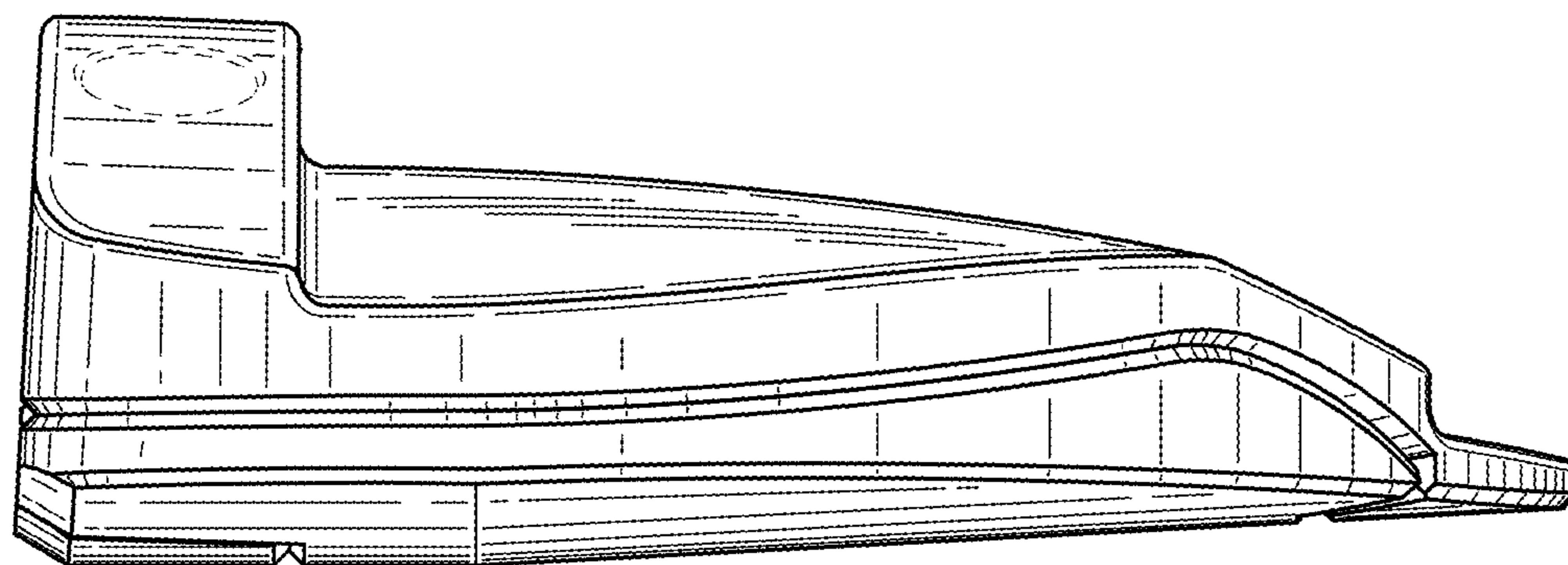


FIG. 8