



US00D794731S

(12) **United States Design Patent**
Donaghue

(10) **Patent No.:** **US D794,731 S**

(45) **Date of Patent:** **** Aug. 15, 2017**

(54) **GOLF CLUB HEAD**

(71) Applicant: **Point-n-Putt Pty. Ltd.**, Deakin ACT (AU)

(72) Inventor: **Paul Joseph Donaghue**, Deakin (AU)

(73) Assignee: **Point-n-Putt Pty. Ltd.**, Deakin (AU)

(**) Term: **15 Years**

(21) Appl. No.: **29/555,140**

(22) Filed: **Feb. 18, 2016**

(30) **Foreign Application Priority Data**

Aug. 20, 2015 (AU) 201514287
Aug. 27, 2015 (AU) 201514515

(51) **LOC (10) Cl.** **21-02**

(52) **U.S. Cl.**
USPC **D21/742**

(58) **Field of Classification Search**
USPC D21/736-746
CPC ... A63B 53/065; A63B 53/0487; A63B 53/00;
A63B 53/007; A63B 53/04
See application file for complete search history.

(56) **References Cited**

U.S. PATENT DOCUMENTS

D228,930 S * 10/1973 Leigh 473/255
D291,343 S * 8/1987 Shearer D21/744
D297,445 S * 8/1988 Shearer D21/743
D297,446 S * 8/1988 Shearer D21/743
D297,964 S * 10/1988 Shearer D21/743
D322,829 S * 12/1991 Antonious D21/742
D325,950 S * 5/1992 Duran D21/744
D337,803 S * 7/1993 Sillers D21/741
5,417,429 A * 5/1995 Strand A63B 69/3685
473/251
D360,669 S * 7/1995 Buscemi D21/743

D380,514 S * 7/1997 Markley D21/741
D511,801 S * 11/2005 Garcia D21/742
D777,268 S * 1/2017 Becktor D21/742
D779,606 S * 2/2017 Becktor D21/742

OTHER PUBLICATIONS

Golf Digest, No. 7, vol. 41, (Jul. 31, 1990), p. 42 (Publicly-Known Document No. HB02016090 of the Designs Department of the Patent Office).
Golf Magazine, No. 5, vol. 45, (May 1, 1996), p. 133 (Publicly-Known Document No. HA08009473 of the Designs Department of the Patent Office).
1990 Catalog Buyers Guide, p. 22 (Publicly-Known Document No. HD02024433 of the Designs Department of the Patent Office).
Japan Examiner's Notification (with English translation) for Application No. 2016-003986 dated Aug. 26, 2016, 4 pages.
Japan Examiner's Notification (with English translation) for Application No. 2016-003747 dated Aug. 26, 2016, 4 pages.

* cited by examiner

Primary Examiner — Mitchell Siegel
(74) *Attorney, Agent, or Firm* — Fish & Richardson P.C.

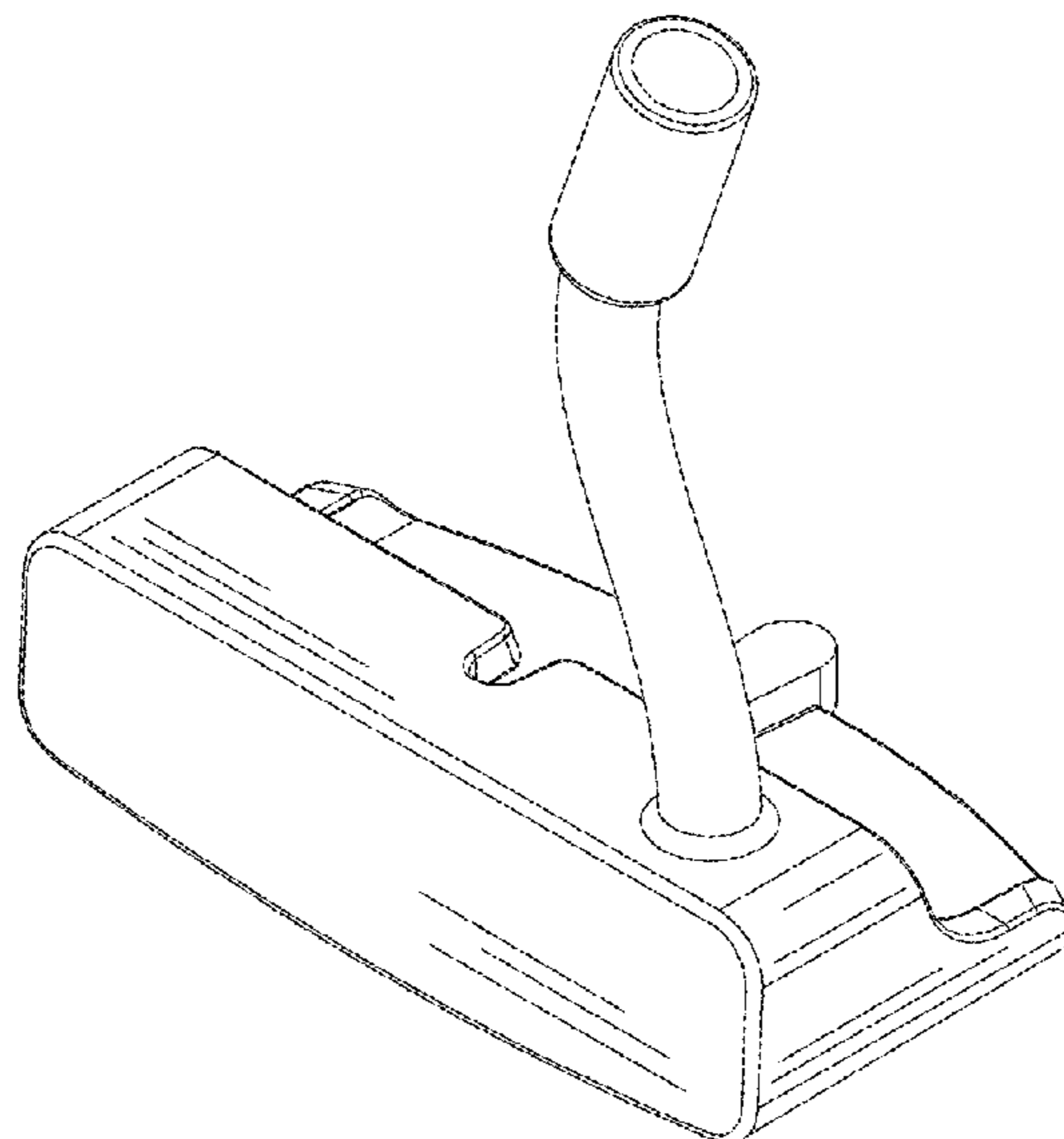
(57) **CLAIM**

The ornamental design for a golf club head, substantially as shown and described.

DESCRIPTION

FIG. 1 is a perspective view of the new ornamental design. FIG. 2 is a front view of the design. FIG. 3 is a right side view of the design. FIG. 4 is a left side view of the design. FIG. 5 is a top view of the design. FIG. 6 is a bottom view of the design; and, FIG. 7 is a rear view of the design.

1 Claim, 7 Drawing Sheets



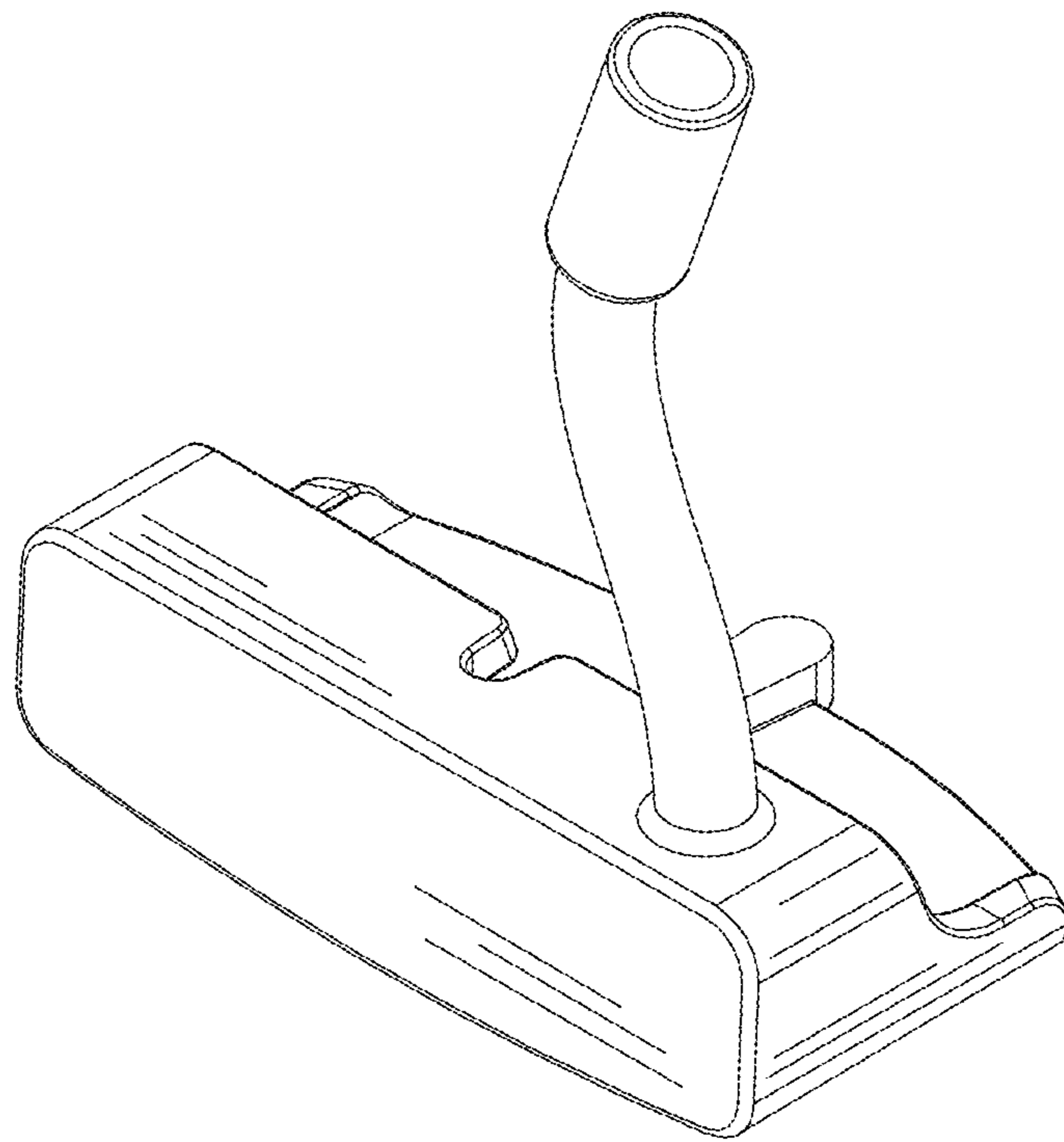


FIG. 1

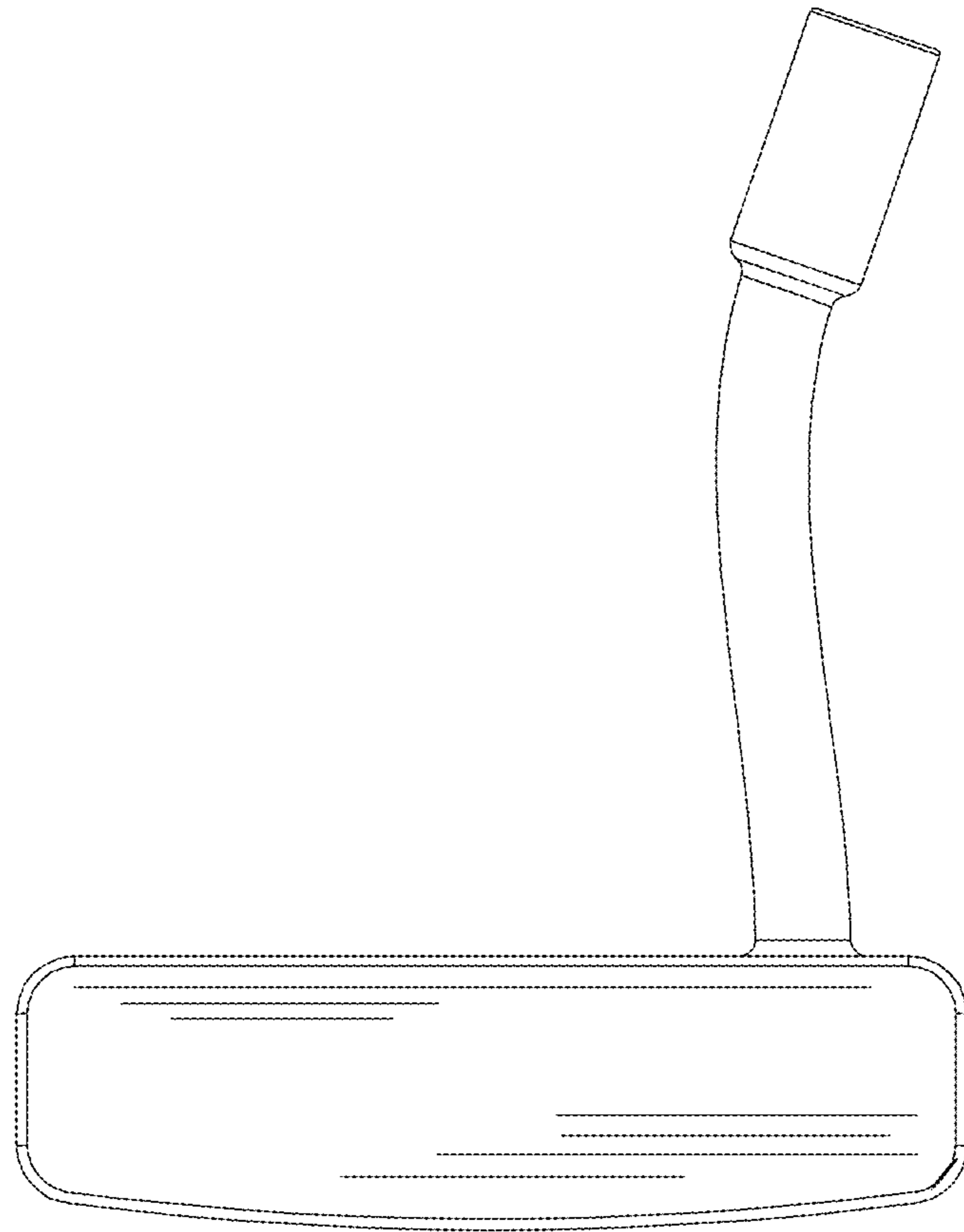


FIG. 2

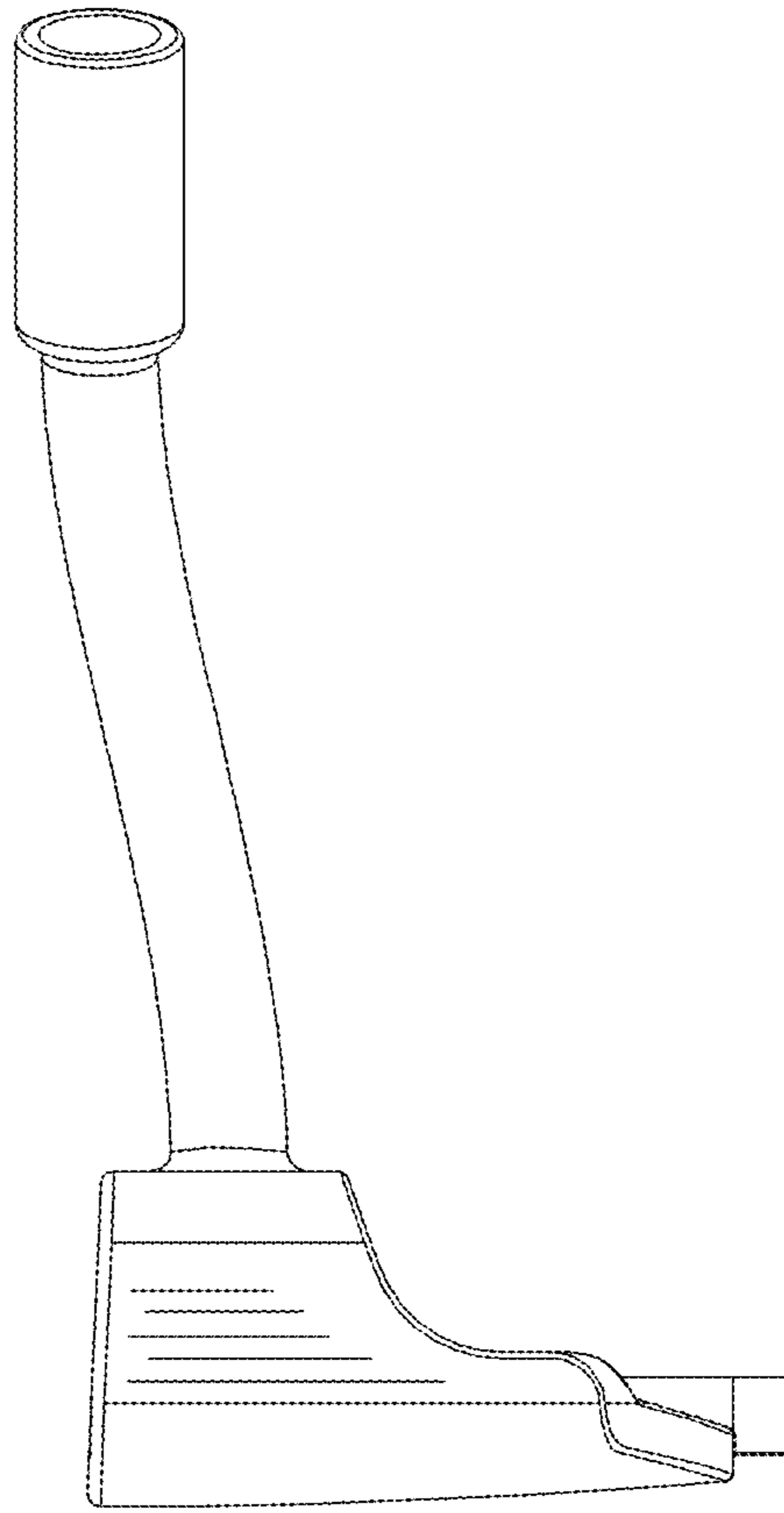


FIG. 3

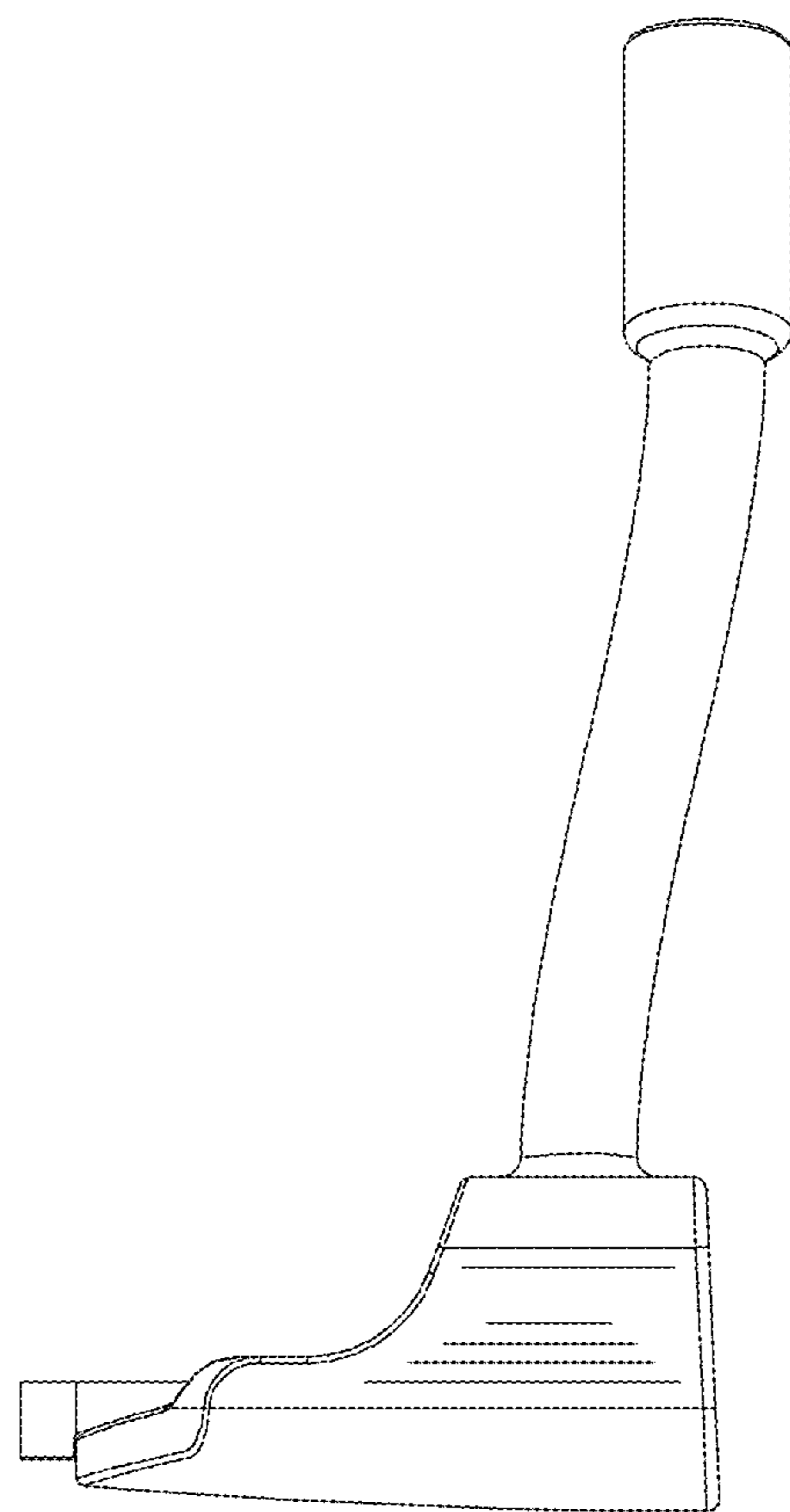


FIG. 4

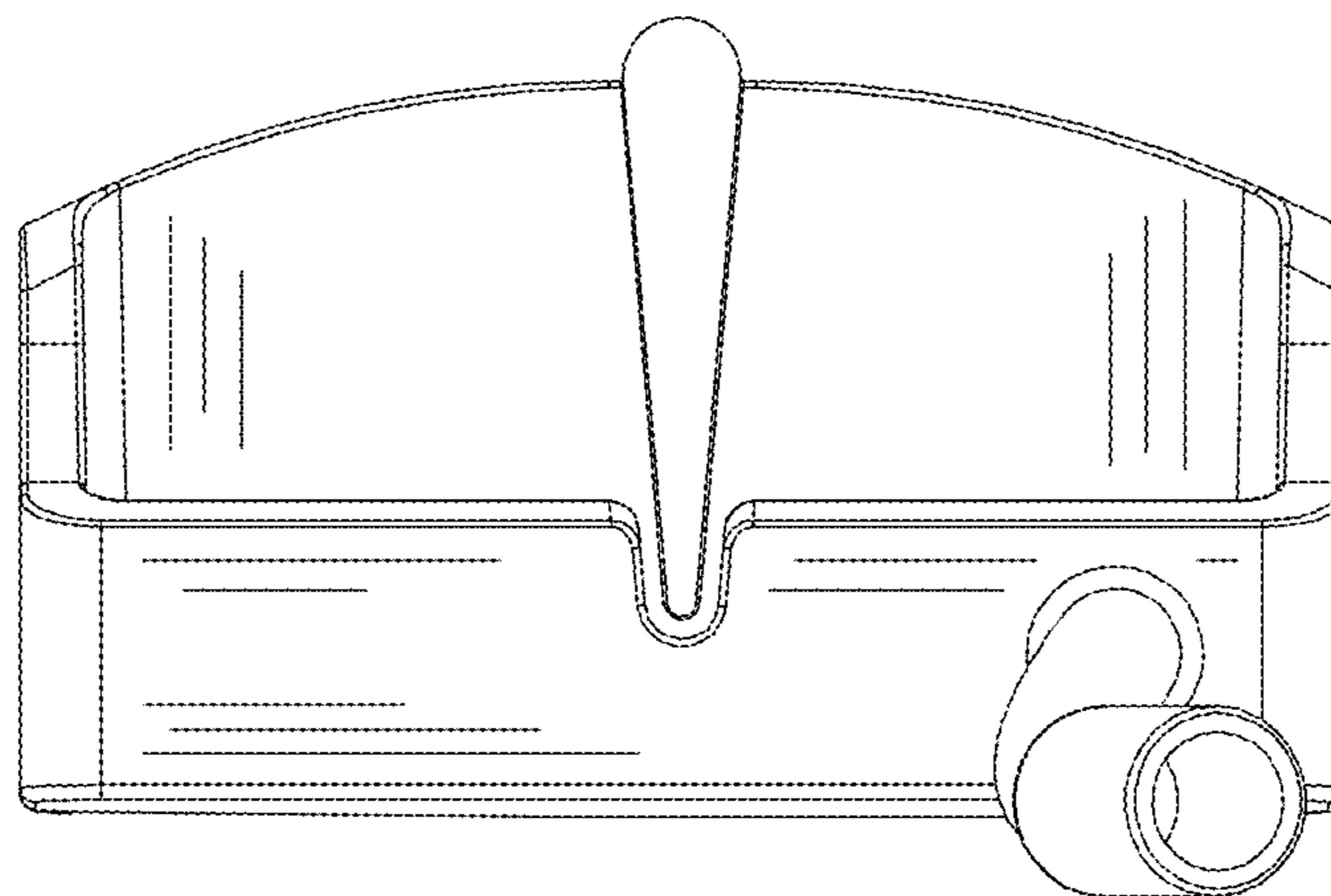


FIG. 5

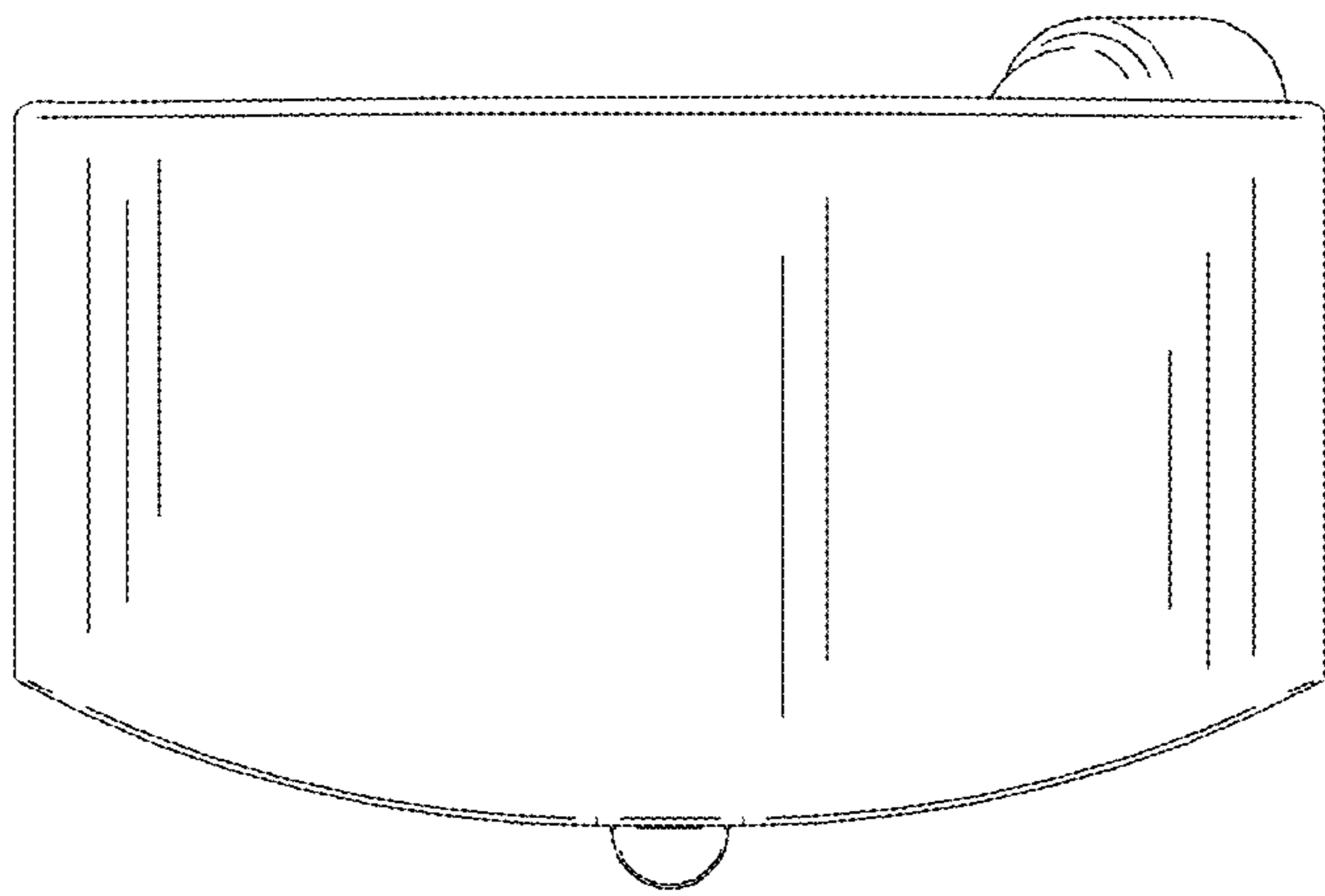


FIG. 6

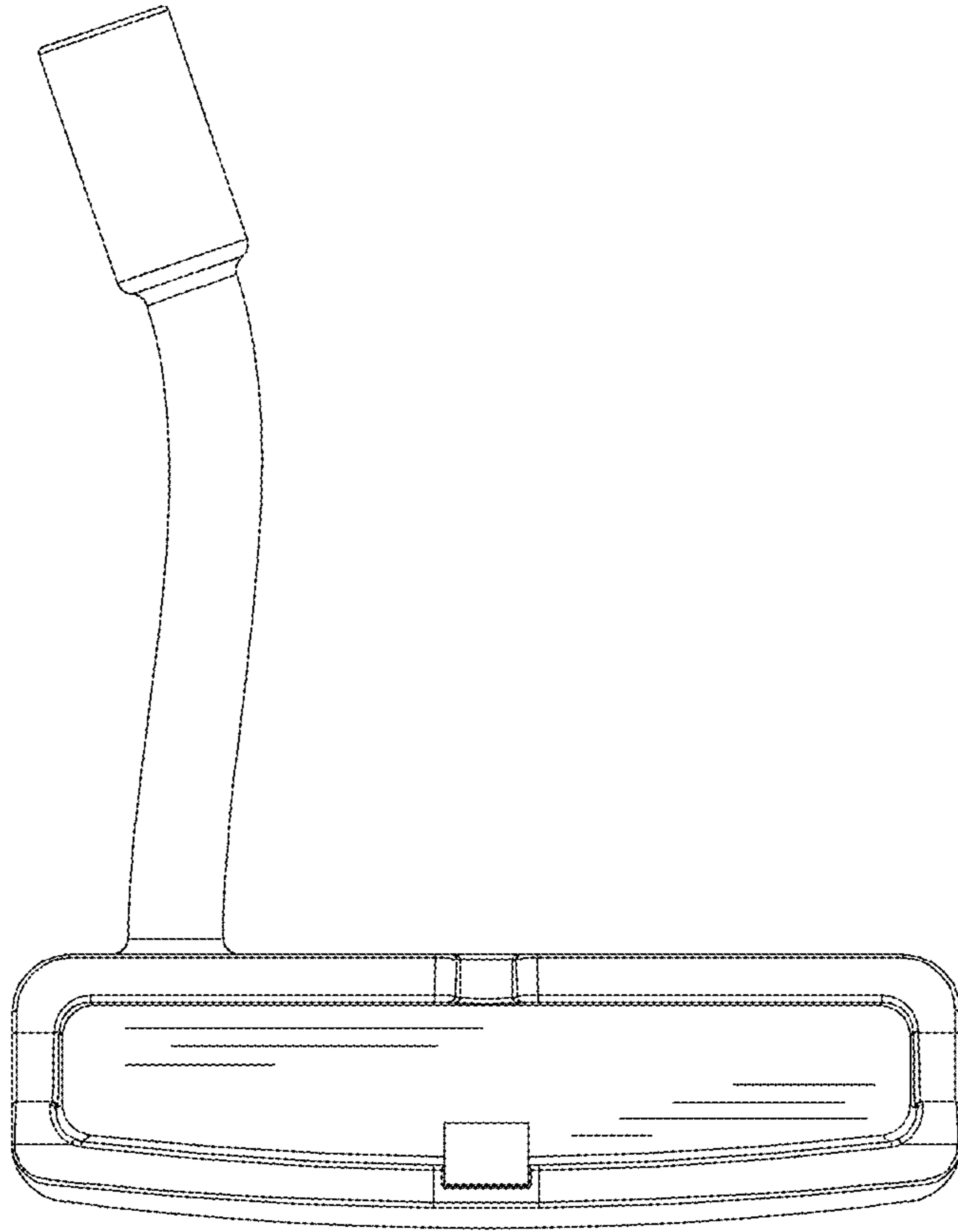


FIG. 7