



US00D794727S

(12) **United States Design Patent** (10) **Patent No.:** **US D794,727 S**
Ho et al. (45) **Date of Patent:** **** Aug. 15, 2017**

- (54) **TWISTER EXERCISE MACHINE**
- (71) Applicants: **Wei-Teh Ho**, Taipei (TW); **Willy Ho**, Taipei (TW)
- (72) Inventors: **Wei-Teh Ho**, Taipei (TW); **Willy Ho**, Taipei (TW)
- (**) Term: **15 Years**
- (21) Appl. No.: **29/534,747**
- (22) Filed: **Jul. 30, 2015**
- (51) **LOC (10) Cl.** **21-02**
- (52) **U.S. Cl.**
USPC **D21/689**
- (58) **Field of Classification Search**
USPC D21/797, 694, 671, 686, 698, 699, 680, D21/685, 692, 687, 689, 318, 688, 412, D21/333, 683, 798; D8/330, 1, 16; 482/142, 52, 51, 30, 74, 91, 140, 25, 94, 482/122; D19/37, 64, 59; D9/624, 629; D14/417, 496; 15/104.93, 105, 118, 15/229.11, 208; D25/139, 155, 62, 65; D6/349, 582, 598, 335, 350, 583, 588, D6/585; 99/472, 467; D34/23, 1; 297/461, 223, 423.41; 269/289 R, 13, 15, 269/14; 206/501, 256, 272.8, 308.2, 330, 206/60, 213; 248/678; D7/698, 699, D7/629, 388; 220/4.26; 217/3 R; D24/190, 191, 192, 167; D17/99; D3/294, 282, 905; D30/118; 182/33; D99/17, 1; 451/534, 539; 446/117, 69; 473/278

(Continued)

- (56) **References Cited**
U.S. PATENT DOCUMENTS
5,256,127 A * 10/1993 Yeh A63B 22/14
482/146
5,433,690 A * 7/1995 Gilman A63B 5/22
482/146

(Continued)

Primary Examiner — Robert M Spear
Assistant Examiner — Ryan Harvey
(74) *Attorney, Agent, or Firm* — Blakely, Sokoloff, Taylor & Zafman LLP

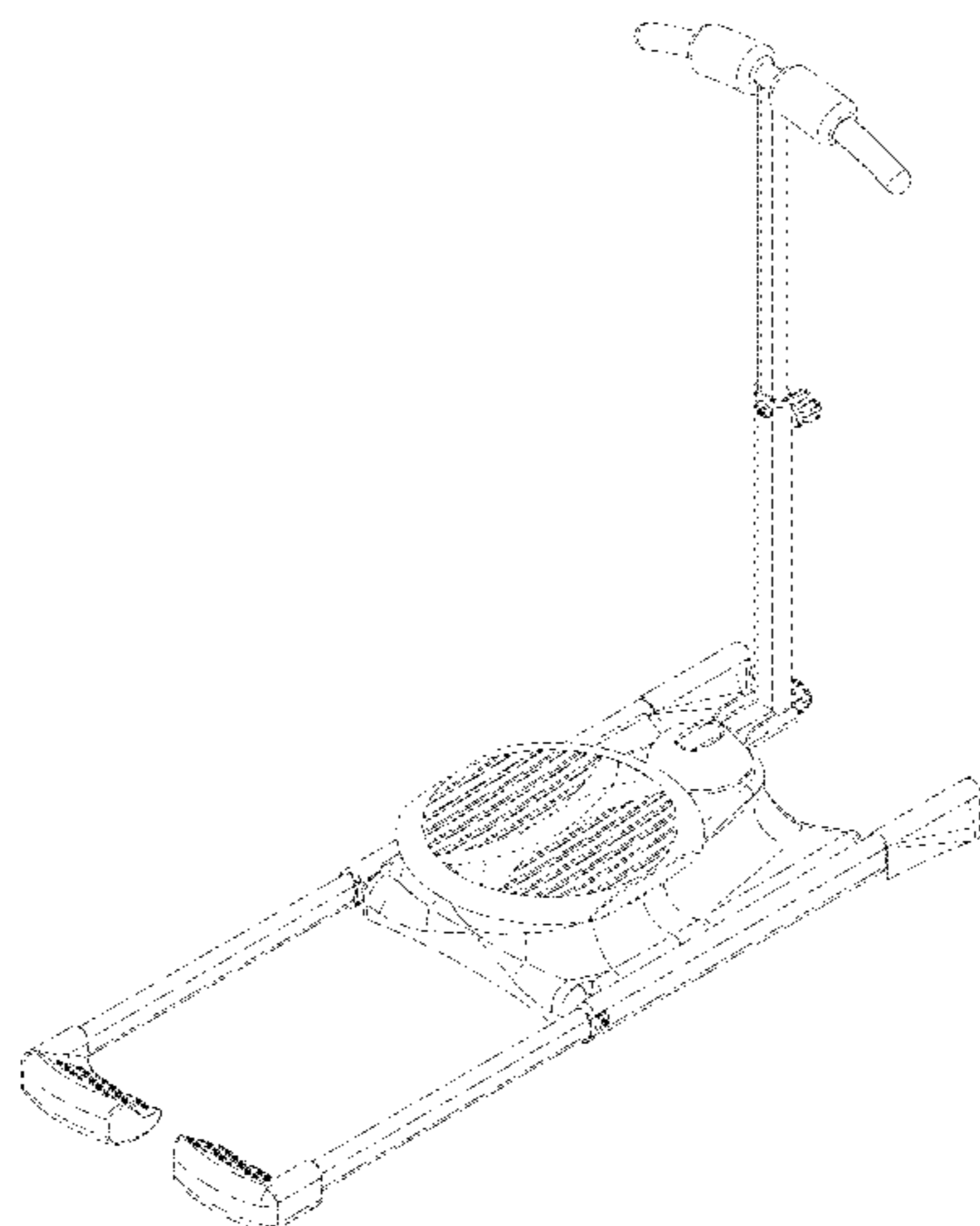
(57) **CLAIM**

The ornamental design for a twister exercise machine, as shown and described.

DESCRIPTION

FIG. 1 is a perspective view of the new design for a twister exercise machine;
FIG. 2 is a front view of the new design thereof;
FIG. 3 is a rear view of the new design thereof;
FIG. 4 is a right side view of the new design thereof;
FIG. 5 is a left side view of the new design thereof;
FIG. 6 is a top view of the new design thereof;
FIG. 7 is a bottom view of the new design thereof;
FIG. 8 is perspective view showing an alternative configuration of the new design for a twister exercise machine;
FIG. 9 is a front view according to an alternative configuration of the new design;
FIG. 10 is a rear view according to an alternative configuration of the new design;
FIG. 11a right side view according to an alternative configuration of the new design;
FIG. 12 is a left side view according to an alternative configuration of the new design;
FIG. 13 is a top view according to an alternative configuration of the new design; and,
FIG. 14 is a bottom view according to an alternative configuration of the new design.
The broken line showing of portions of the twister exercise machine depicts environment and forms no part of the claim.

1 Claim, 14 Drawing Sheets



(58) **Field of Classification Search**
 CPC A63B 22/001; A63B 22/0664; A63B
 23/0211; A63B 21/225; A63B 2210/50;
 A63B 2208/0204
 See application file for complete search history.

(56) **References Cited**

U.S. PATENT DOCUMENTS

5,632,711 A * 5/1997 Hwang A63B 22/14
 482/146
 5,695,439 A * 12/1997 Lin A63B 22/0061
 482/146
 D465,001 S * 10/2002 Chiang-Chow D21/668
 D489,101 S * 4/2004 Giannelli D21/668
 6,875,159 B2 * 4/2005 Chuang A63B 22/14
 482/146
 6,899,657 B2 * 5/2005 Chuang A63B 22/001
 482/147
 D517,133 S * 3/2006 Yang D21/668

D521,576 S * 5/2006 Hsiung D21/668
 7,104,928 B1 * 9/2006 Liu A63B 22/0064
 482/52
 D533,236 S * 12/2006 Huang D21/688
 D535,710 S * 1/2007 Hsiung D21/668
 D569,456 S * 5/2008 Nardone D21/670
 7,614,990 B2 * 11/2009 Baek A63B 22/14
 482/146
 7,775,953 B2 * 8/2010 Wang A63B 22/14
 482/146
 7,942,798 B2 * 5/2011 Wang A63B 21/15
 482/146
 7,955,240 B2 * 6/2011 Nadim A63B 21/0618
 482/146
 8,864,633 B1 * 10/2014 Butler A63B 23/0405
 482/128
 2005/0049116 A1 * 3/2005 Huang A63B 22/0064
 482/51
 2008/0026916 A1 * 1/2008 Chuang A63B 22/0064
 482/53

* cited by examiner

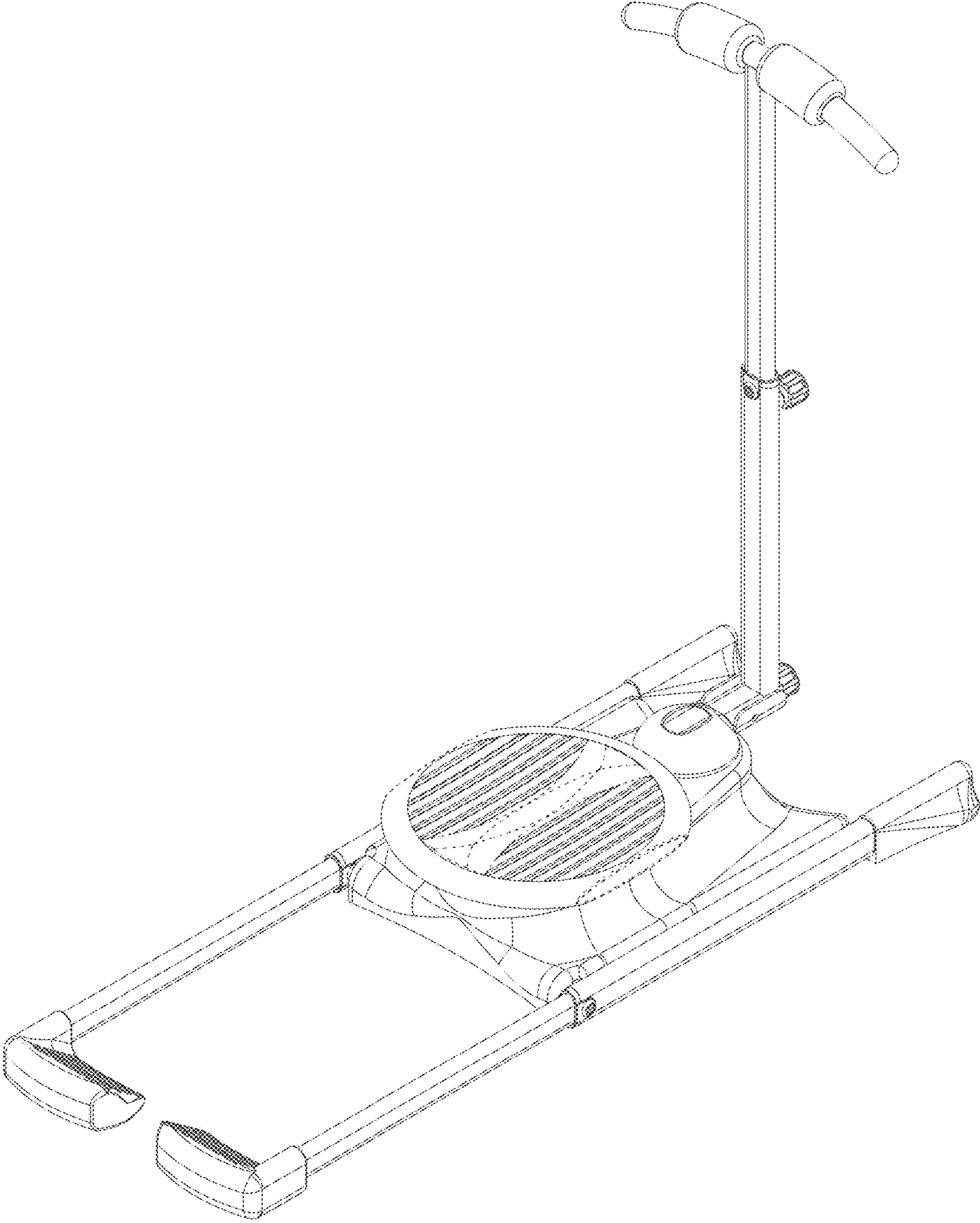


Fig. 1

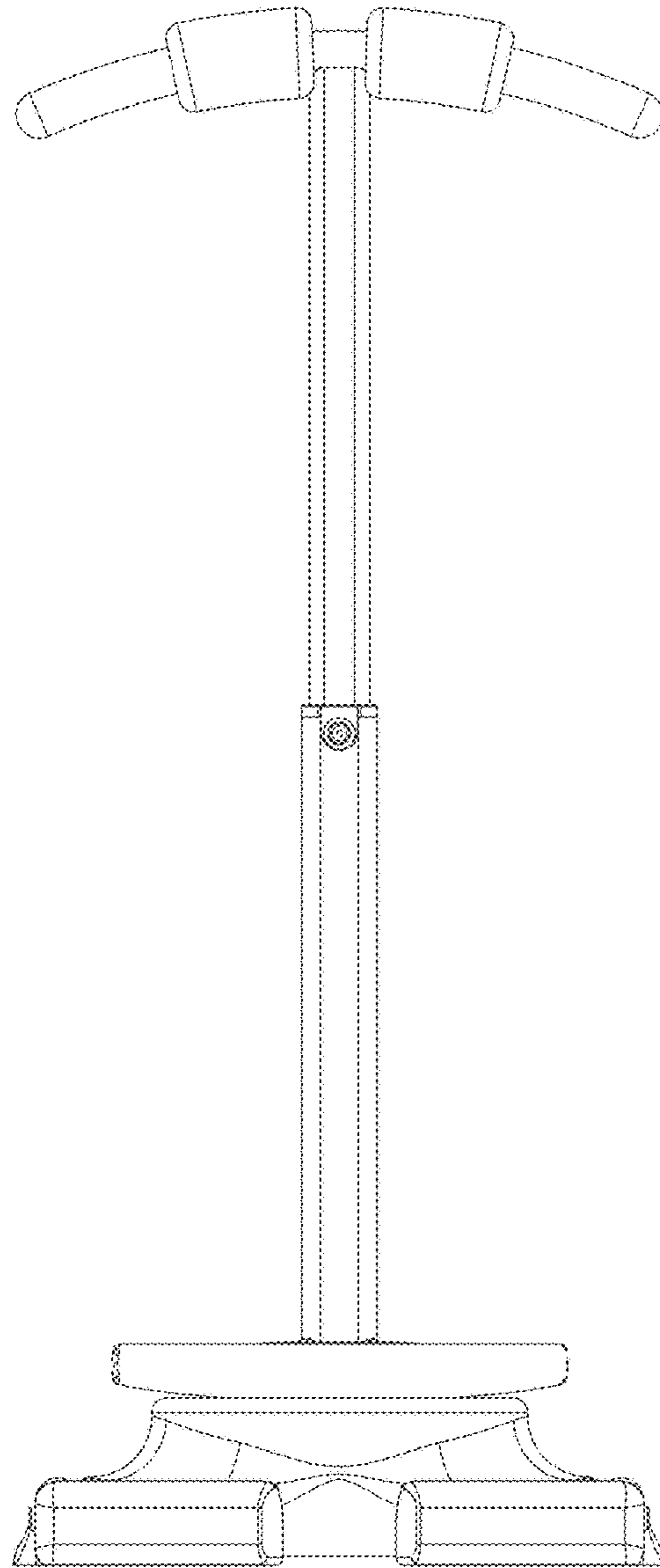


Fig. 2

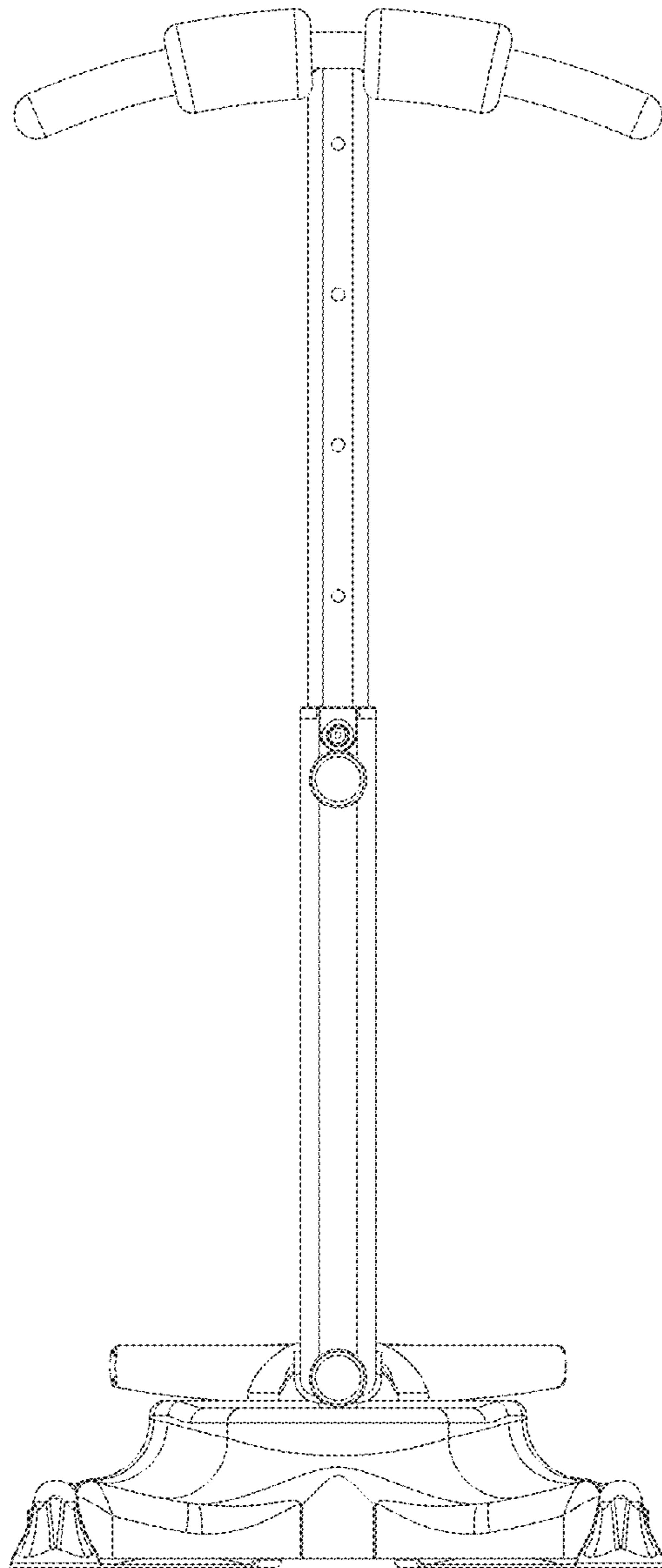
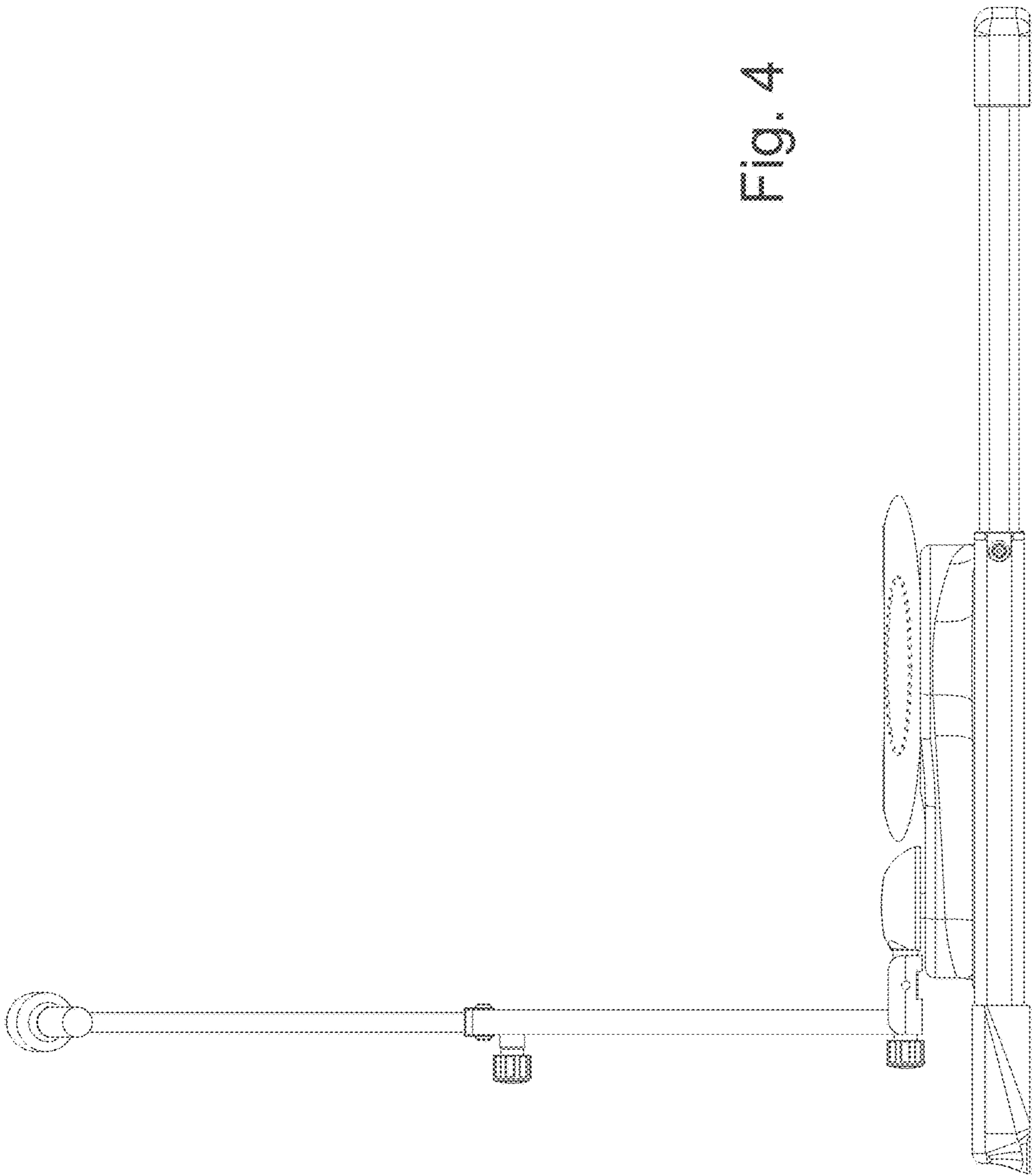


Fig. 3



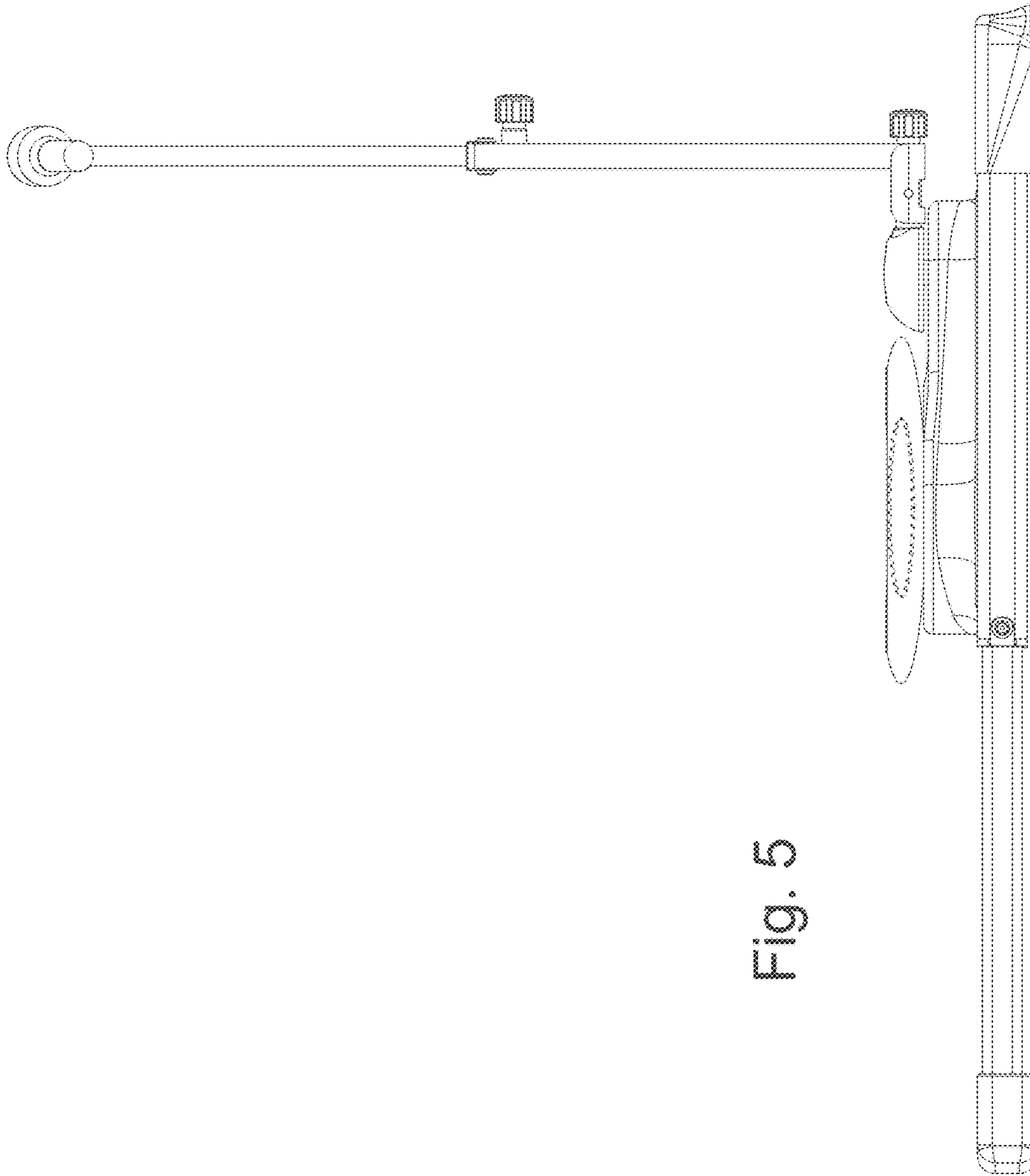


Fig. 5

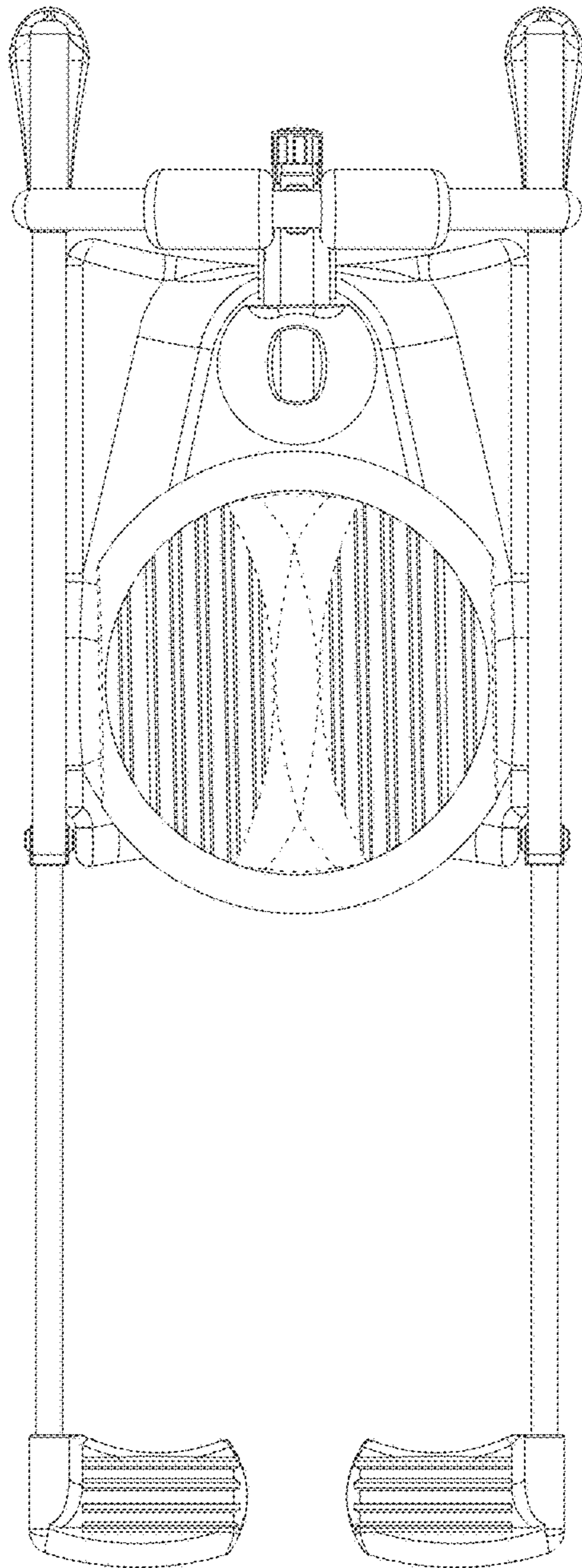


Fig. 6

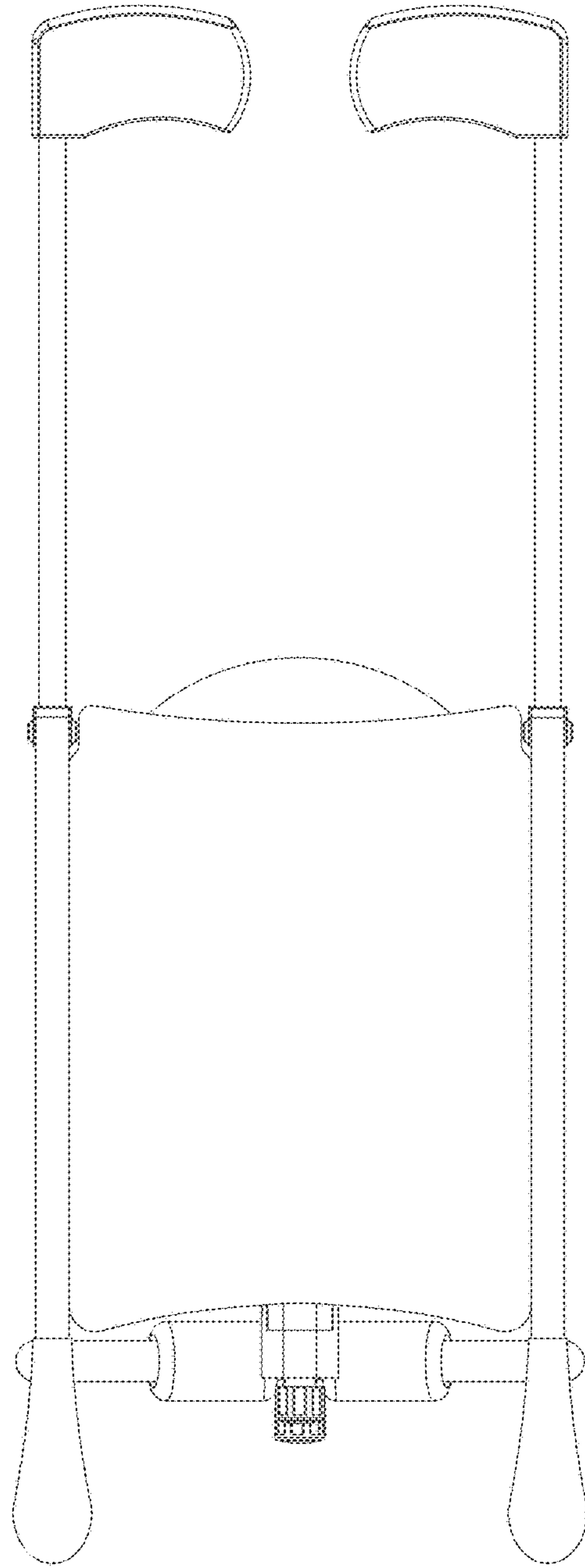


Fig. 7

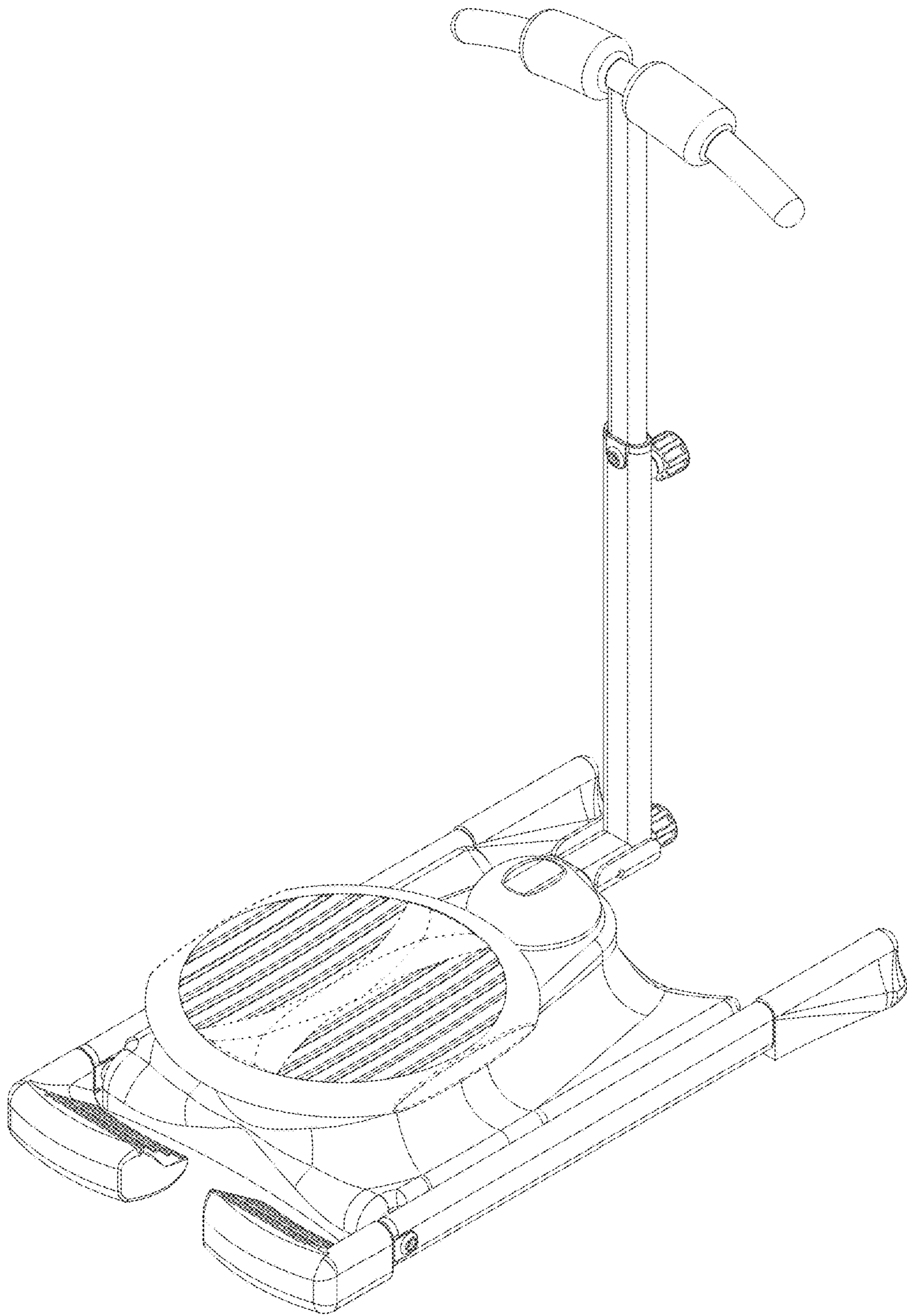


Fig. 8

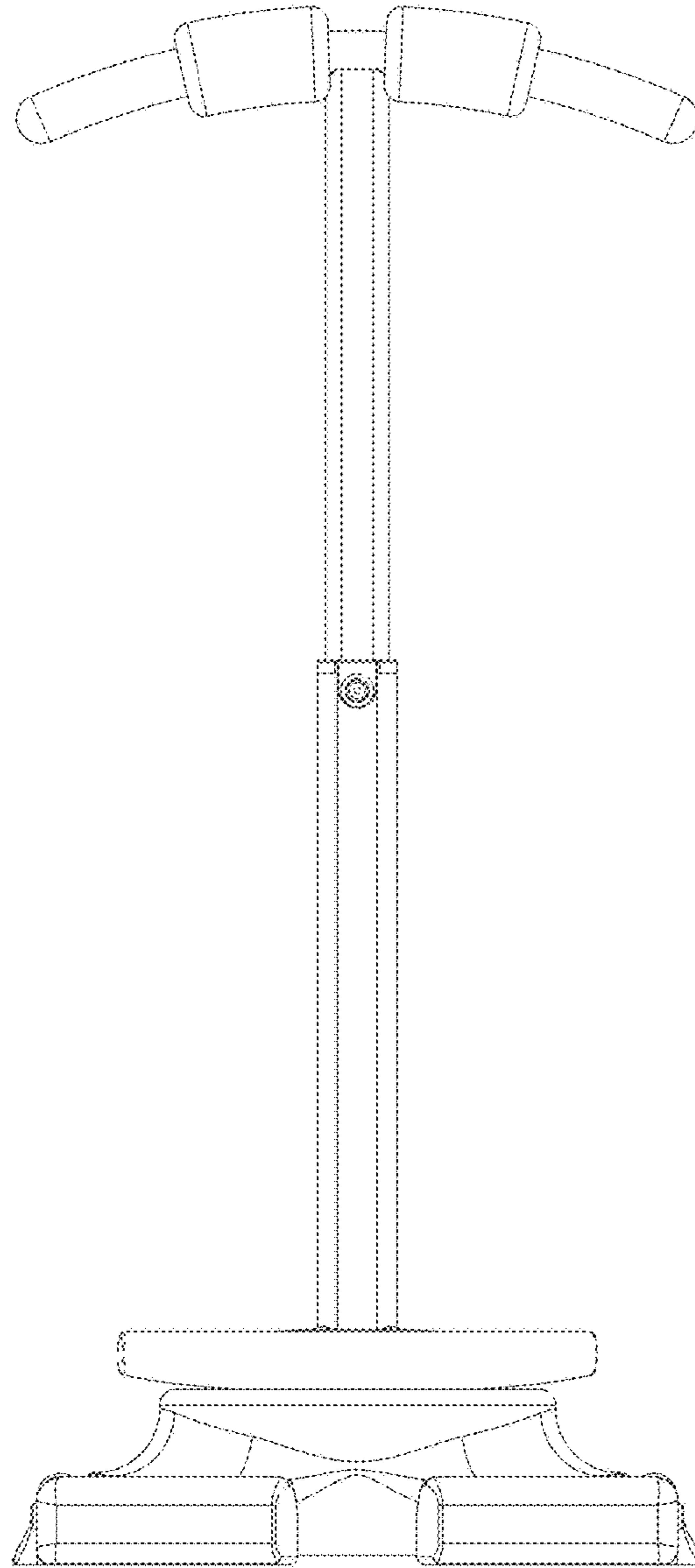


Fig. 9

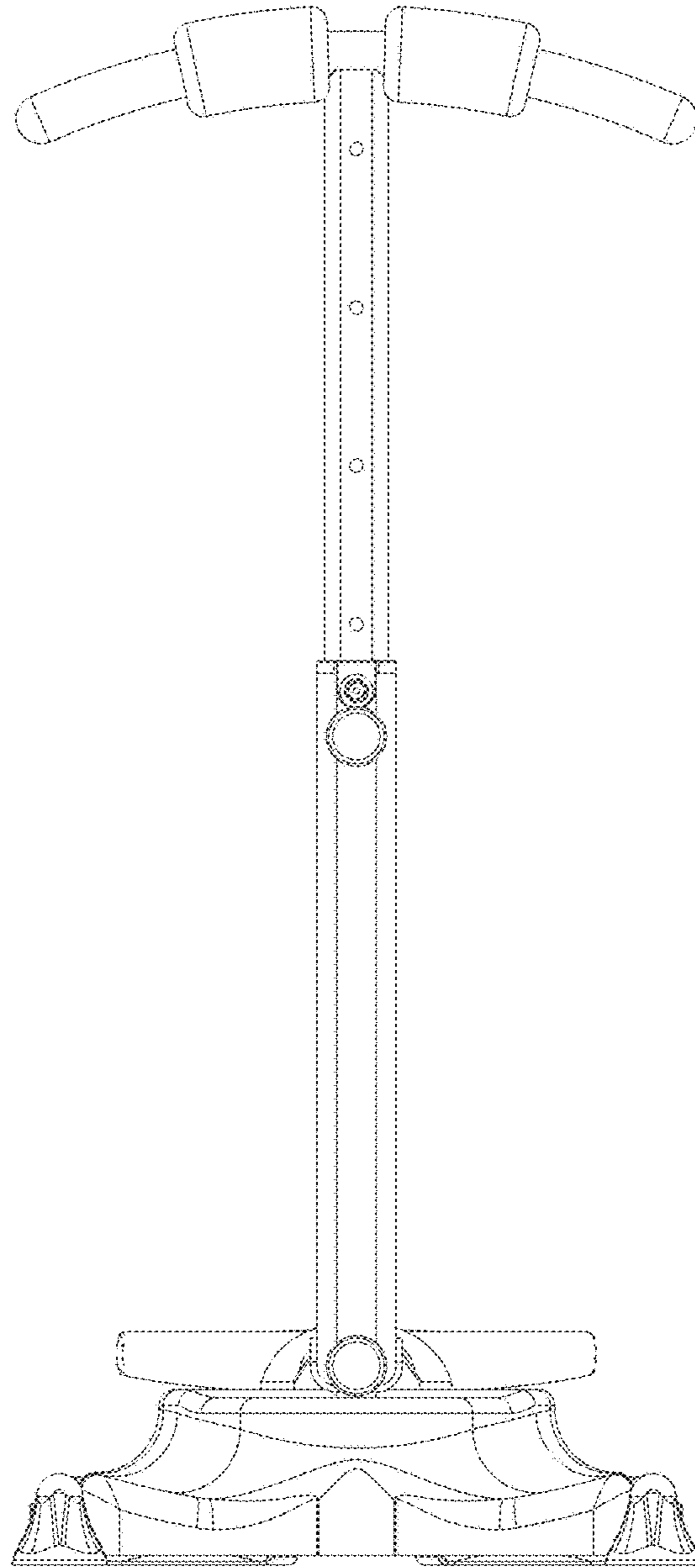


Fig. 10

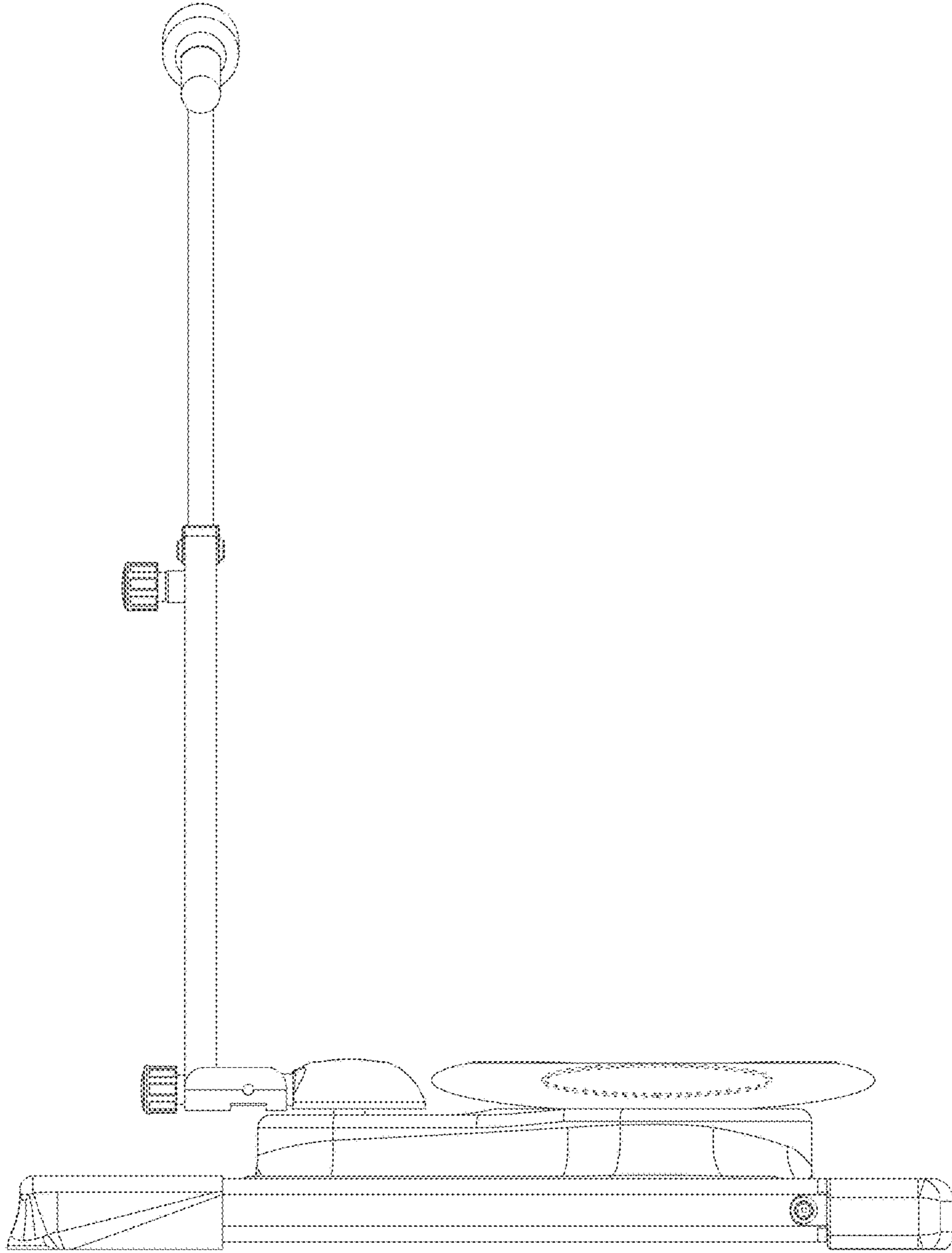


Fig. 11

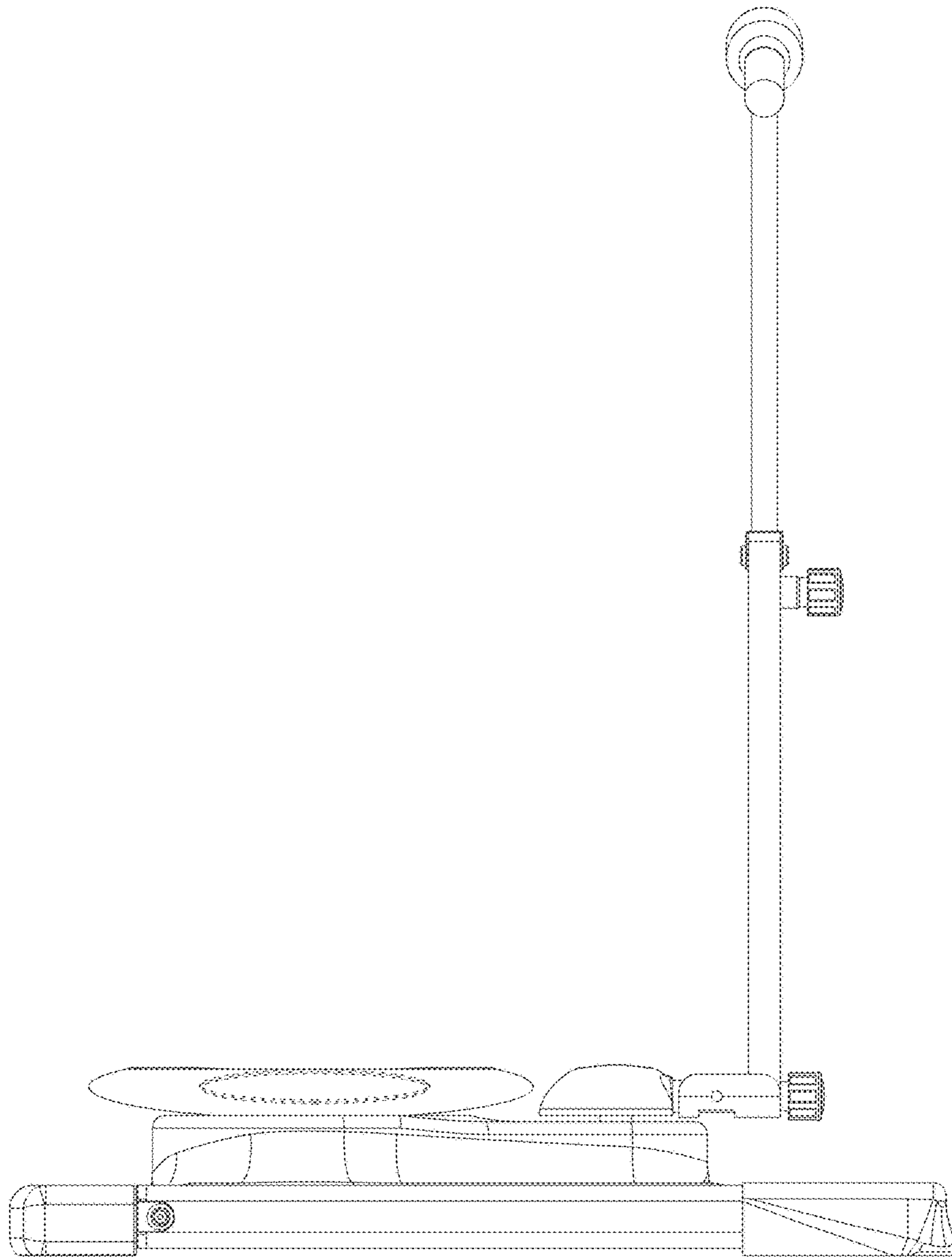


Fig. 12

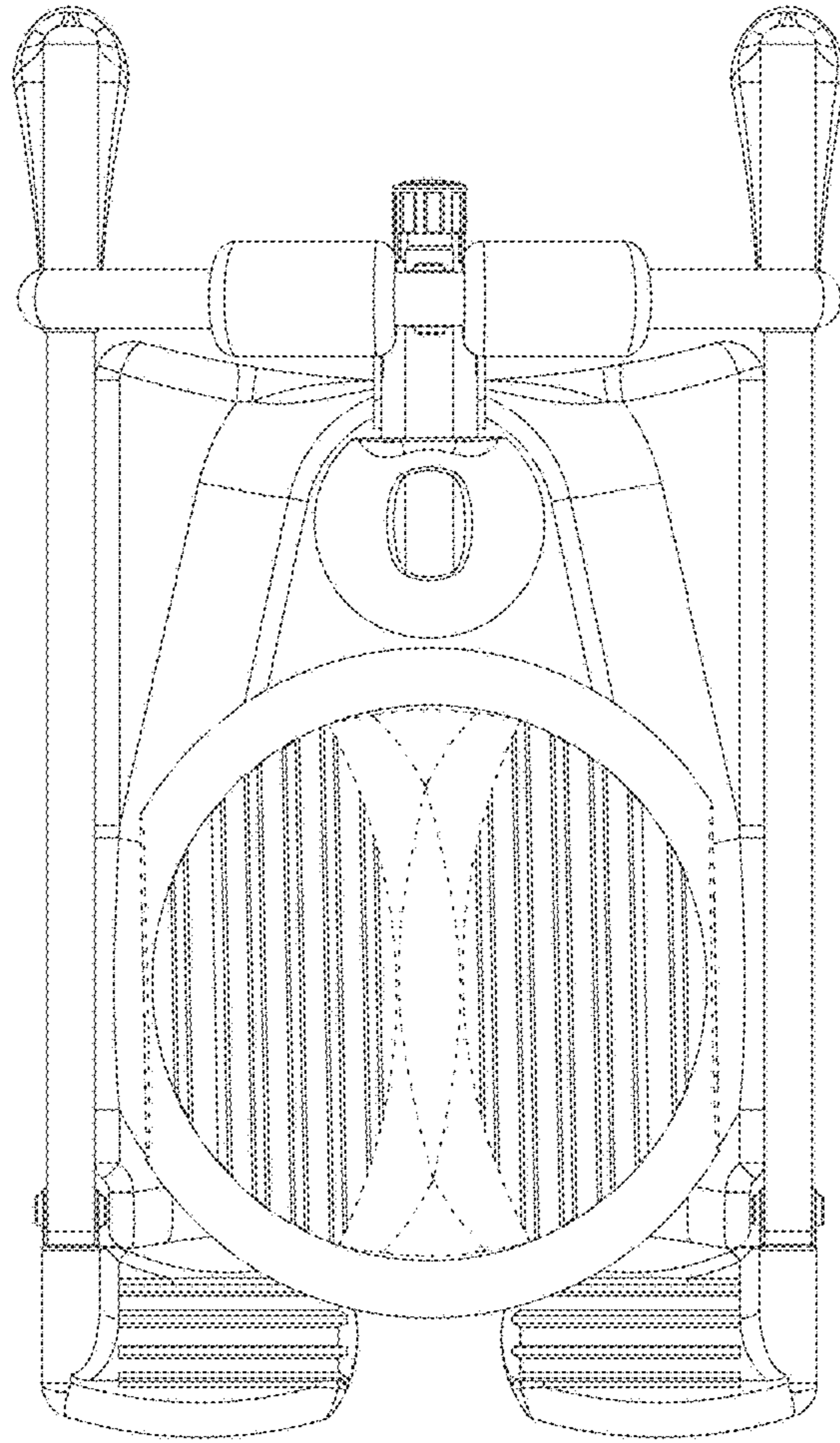


Fig. 13

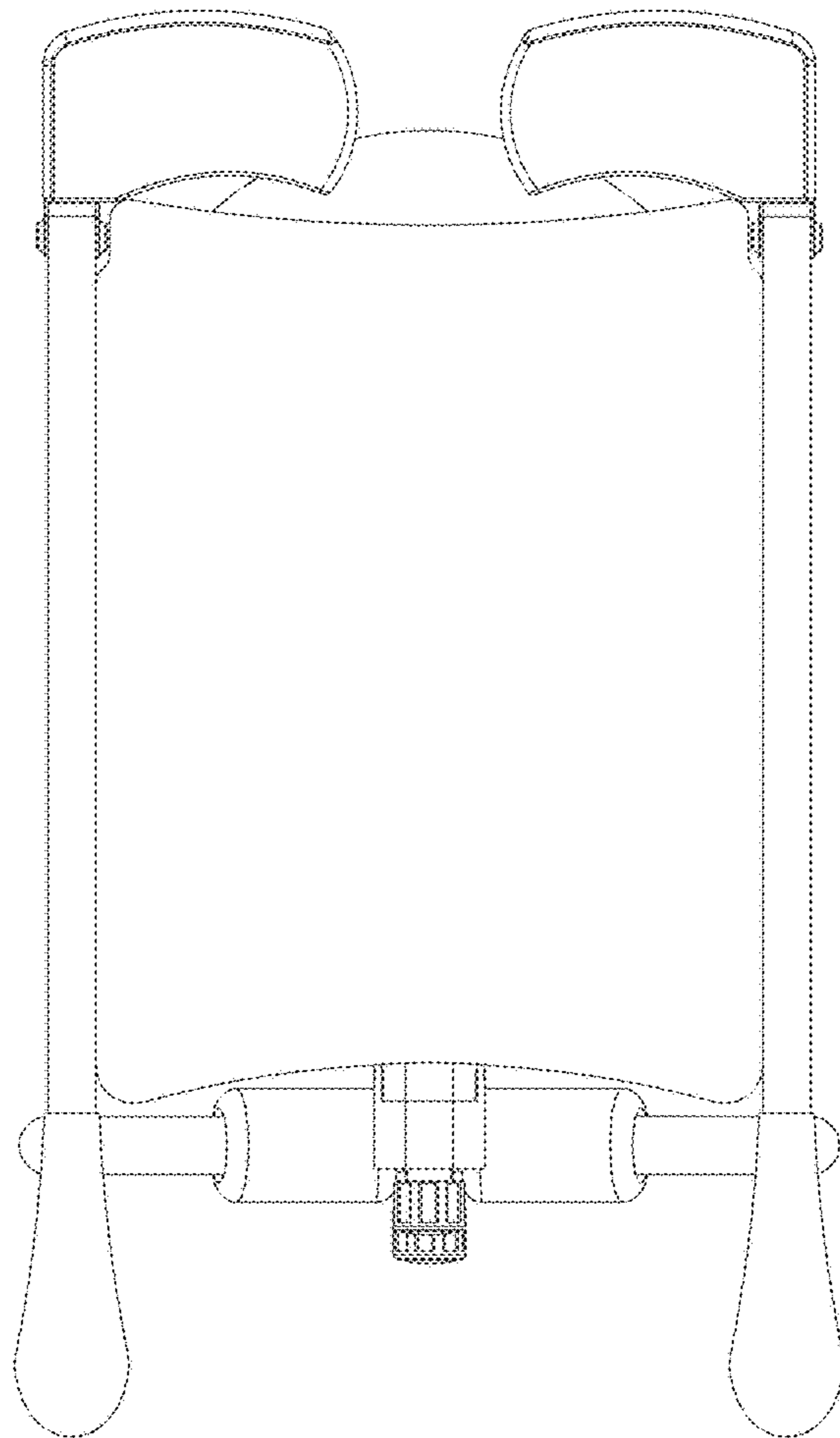


Fig. 14