



US00D794725S

(12) **United States Design Patent**
Lamothe

(10) **Patent No.:** **US D794,725 S**

(45) **Date of Patent:** **** Aug. 15, 2017**

- (54) **ABDOMINAL ROLLER**
- (71) Applicant: **Mark Lamothe**, Rineyville, KY (US)
- (72) Inventor: **Mark Lamothe**, Rineyville, KY (US)
- (**) Term: **15 Years**
- (21) Appl. No.: **29/558,991**
- (22) Filed: **Mar. 23, 2016**

Related U.S. Application Data

- (63) Continuation-in-part of application No. 29/516,090, filed on Jan. 29, 2015, now abandoned.
- (51) **LOC (10) Cl.** **21-02**
- (52) **U.S. Cl.**
USPC **D21/679**
- (58) **Field of Classification Search**
USPC D8/85, 45, 107, 90, 317, 387, 397, 343, D8/31, 75, 14; D21/680, 682, 681, 678, D21/662, 679, 684, 686, 801; 173/102, 173/103, 118, 126, 133; 482/108, 93, 482/110, 111, 105, 8, 107, 106, 139, 94, 482/104, 109, 140, 51, 70, 74, 98, 1, 121, 482/55; D9/629, 456, 680; D11/91, 81, D11/56, 80, 7, 52, 14, 201
CPC A63B 21/0552; A63B 23/0211; A63B 2208/0204; A63B 21/00069; A63B 21/0442; A63B 21/0004; A63B 23/12
See application file for complete search history.

(56) **References Cited**

U.S. PATENT DOCUMENTS

- 3,938,803 A 2/1976 Wilmoth et al.
- D243,013 S * 1/1977 Jones D10/63
- D248,114 S 6/1978 Mangiapane
- 4,647,038 A * 3/1987 Noffsinger A63B 21/072
482/106
- D306,886 S 3/1990 Shiek et al.

- 4,978,122 A * 12/1990 Dibowski A63B 21/0724
482/106
- 5,152,731 A * 10/1992 Troutman A63B 21/0724
482/106
- 5,222,930 A 6/1993 Bold, Jr.
- D422,038 S 3/2000 Iannetta
- 6,203,476 B1 3/2001 Wang et al.
- 6,746,383 B2 * 6/2004 Yu A63B 21/015
482/123
- D654,970 S 2/2012 Daves
- D666,255 S * 8/2012 Babchinetskaya D21/662
- D688,337 S 8/2013 Huang et al.
- 8,814,767 B2 * 8/2014 Brodbeck A63B 22/20
482/132
- 8,894,555 B2 * 11/2014 Colledge A63B 21/0004
482/118
- 9,005,088 B2 * 4/2015 Sides, Jr. A63B 21/0618
482/106
- D730,455 S * 5/2015 Burris D21/662
- D738,519 S * 9/2015 Phillips D24/211
- D744,663 S * 12/2015 Holland D24/211

(Continued)

Primary Examiner — Robert M Spear

Assistant Examiner — Ryan Harvey

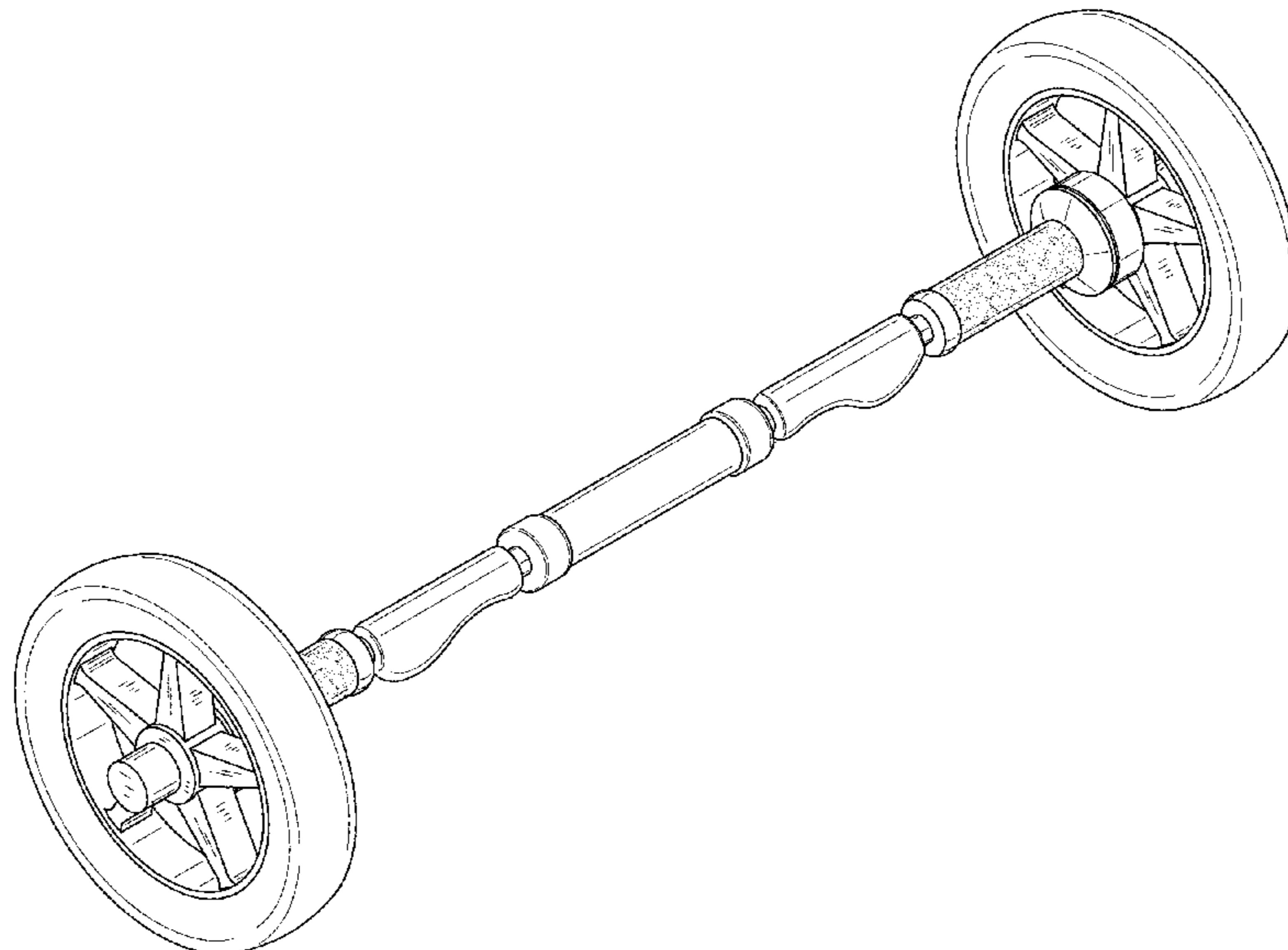
(57) **CLAIM**

The ornamental design for a abdominal roller, as shown and described.

DESCRIPTION

FIG. 1 is a front view of an abdominal roller showing my new design, a back view being identical thereto;
 FIG. 2 is a right side view of the abdominal roller, a left side view being identical thereto;
 FIG. 3 is a top view of the abdominal roller;
 FIG. 4 is a bottom view of the abdominal roller;
 FIG. 5 is a cross-sectional view of the abdominal roller taken along line 5-5 of FIG. 3; and,
 FIG. 6 is a top front side perspective view of the abdominal roller.

1 Claim, 4 Drawing Sheets



(56)

References Cited

U.S. PATENT DOCUMENTS

2009/0270233 A1* 10/2009 Cao A63B 21/0726
482/108
2012/0100968 A1 4/2012 Tilton et al.
2013/0017938 A1 1/2013 Thompson
2014/0274595 A1* 9/2014 Patti A63B 21/1496
482/106

* cited by examiner

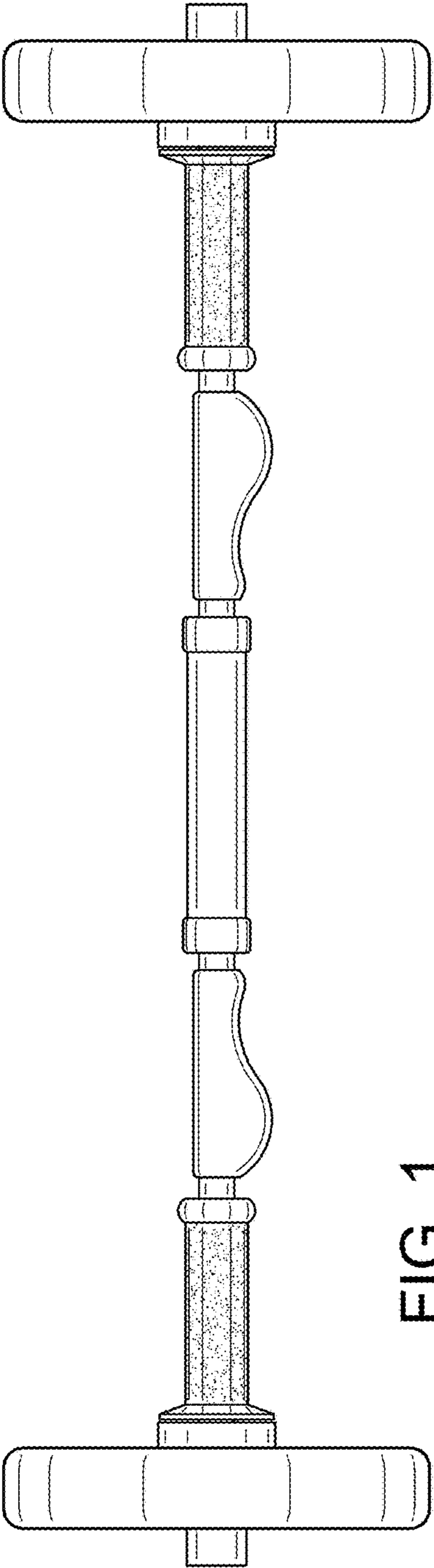


FIG. 1

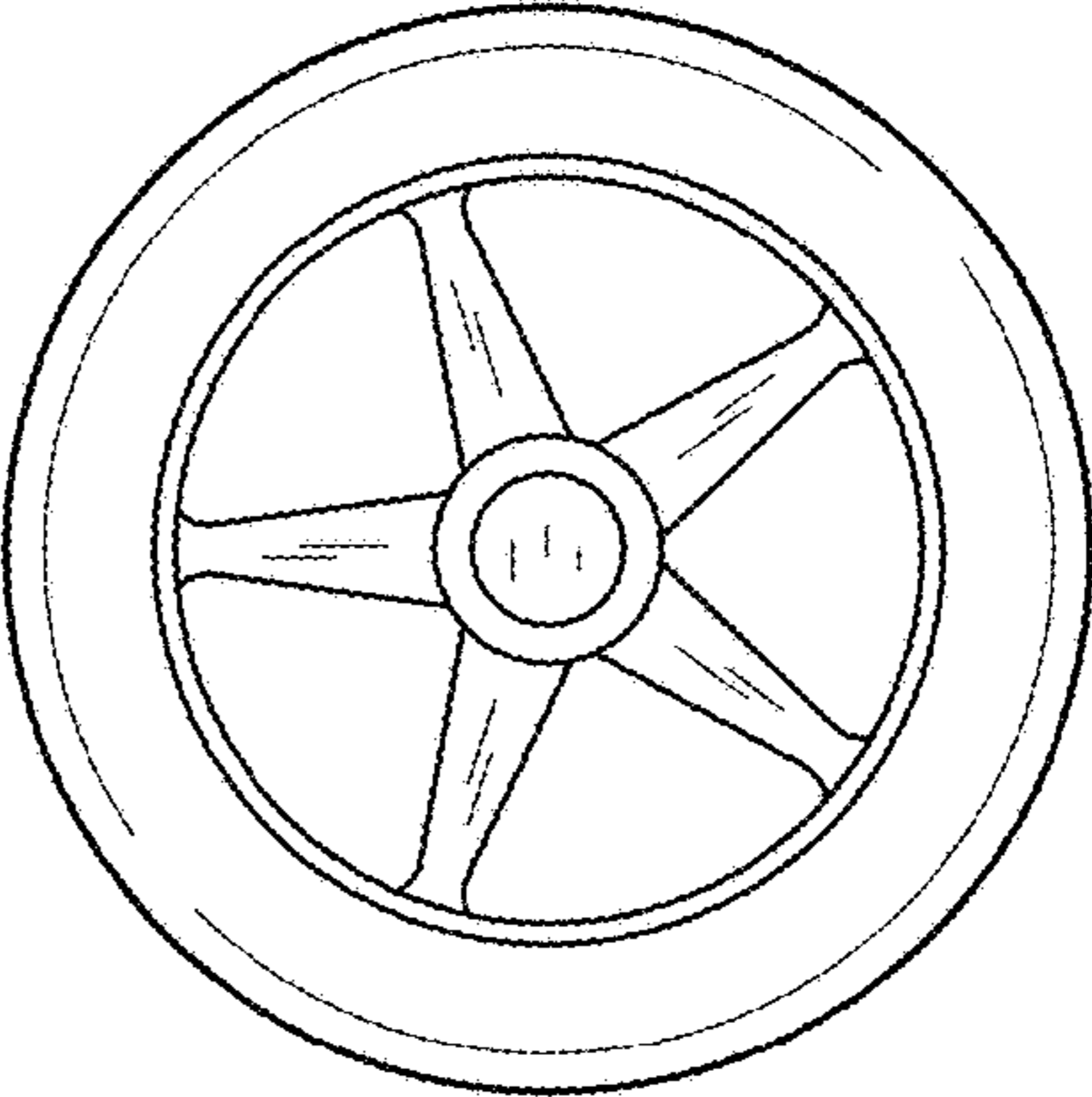


FIG. 2

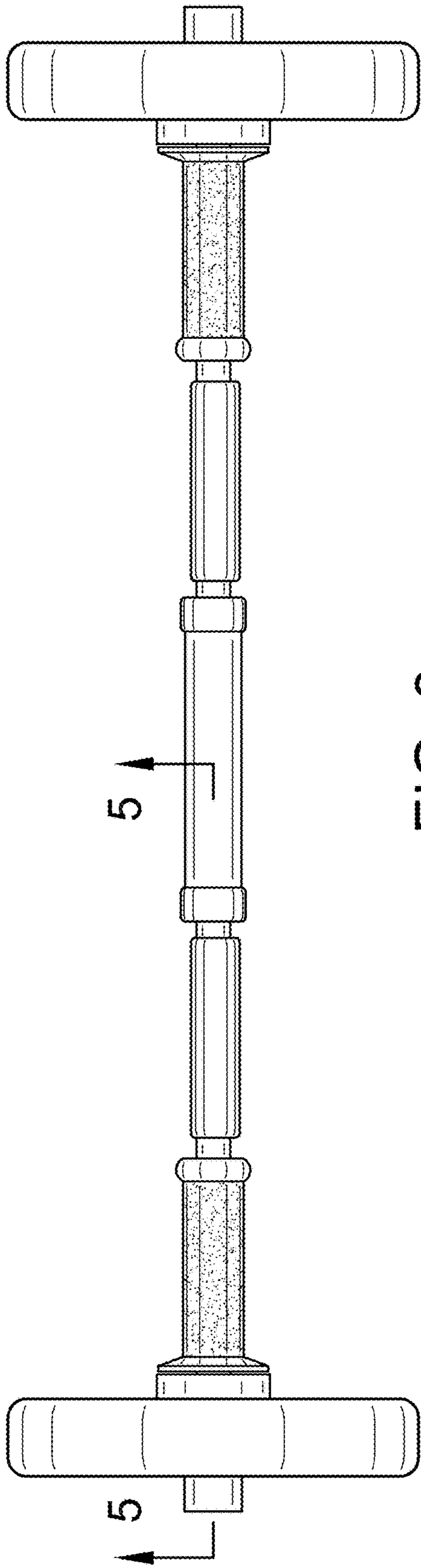


FIG. 3

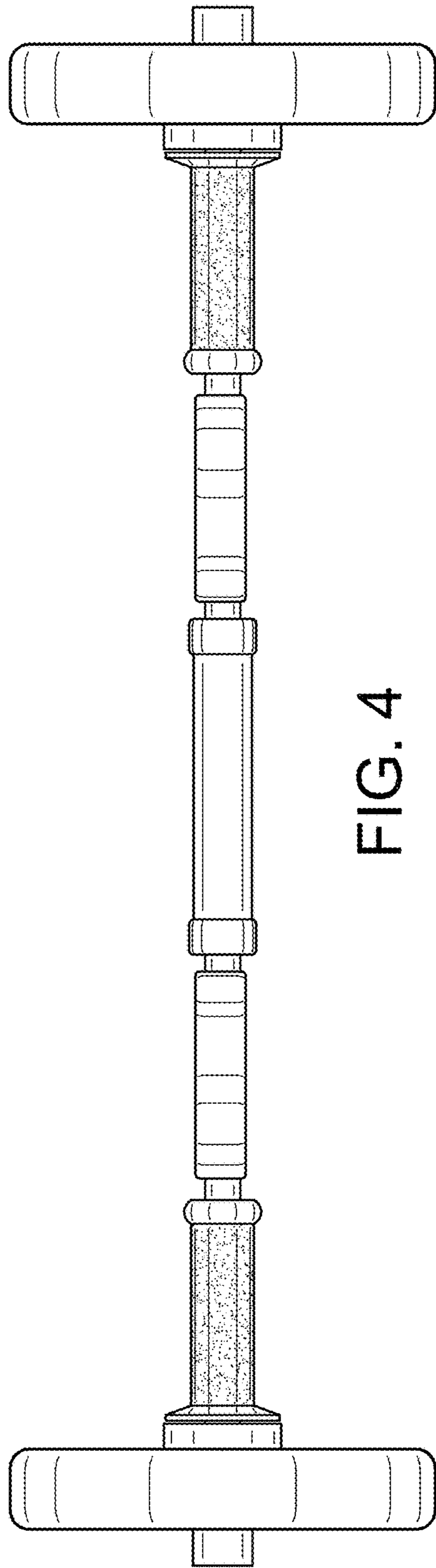


FIG. 4

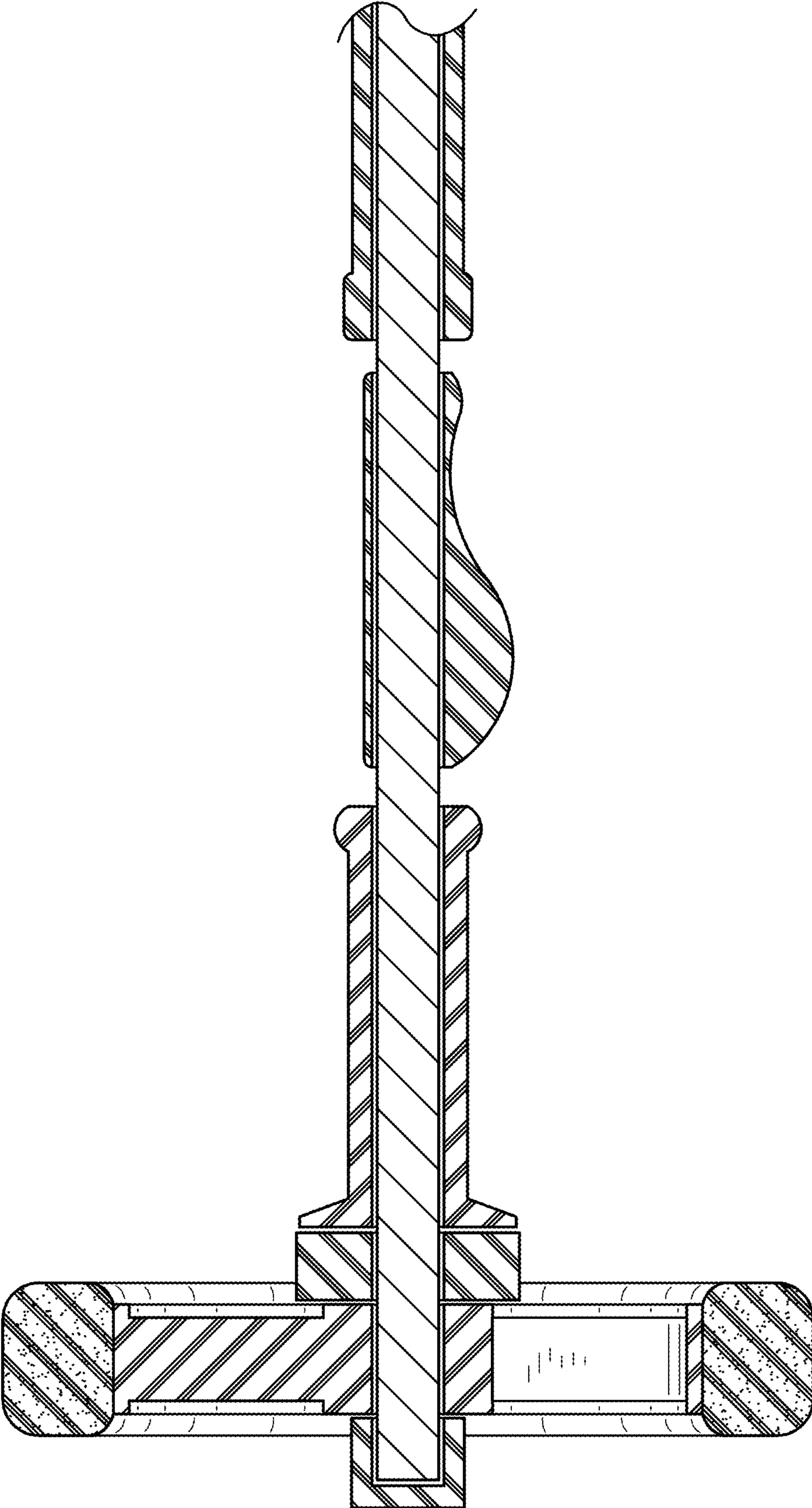


FIG. 5

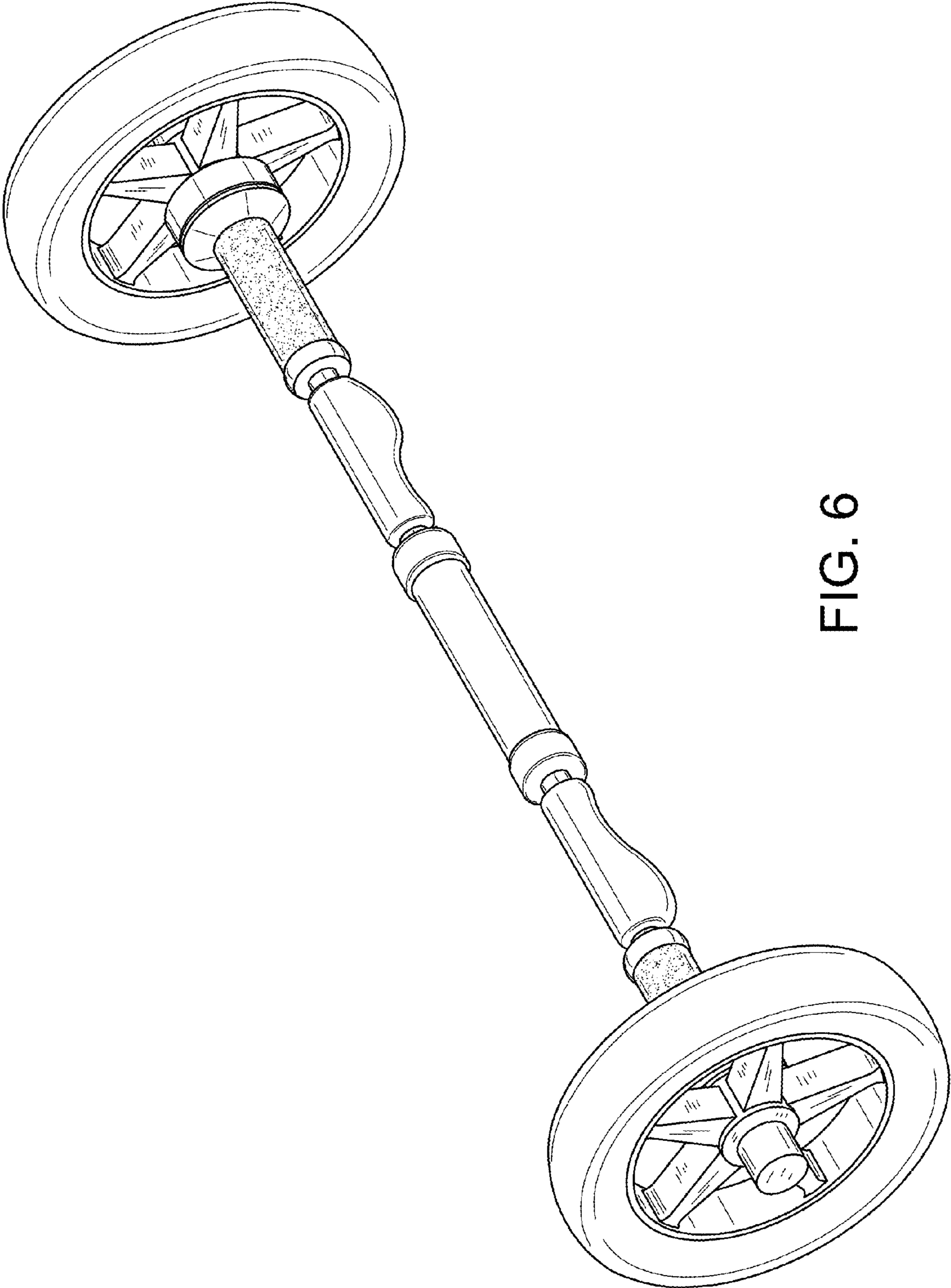


FIG. 6