



US00D794724S

(12) **United States Design Patent** (10) **Patent No.:** **US D794,724 S**
Tasca et al. (45) **Date of Patent:** **** Aug. 15, 2017**

(54) **STATIONARY BIKE**
(71) Applicant: **TECHNOGYM S.p.A.**, Gambettola
(Forli'-Cesena) (IT)
(72) Inventors: **Ermanno Tasca**, Gambettola (IT);
Nerio Alessandri, Gambettola (IT)
(73) Assignee: **Technogym S.p.A.**, Gambettola
(Forli'-Cesena) (IT)

6,612,970 B2 * 9/2003 Forcillo A63B 21/015
482/57
6,905,445 B1 * 6/2005 Lin A63B 21/012
188/24.11
D532,063 S * 11/2006 Kim D21/697
D571,417 S * 6/2008 Su D21/667
D616,050 S * 5/2010 Lull D21/667
D624,612 S * 9/2010 Watt D21/667
D625,762 S * 10/2010 Fon D21/667

(Continued)

(**) Term: **14 Years**
(21) Appl. No.: **29/522,896**
(22) Filed: **Apr. 3, 2015**

(30) **Foreign Application Priority Data**
Oct. 7, 2014 (EM) 002552554
(51) **LOC (10) Cl.** **21-02**
(52) **U.S. Cl.**
USPC **D21/663**
(58) **Field of Classification Search**
USPC D21/667, 665, 697, 663, 694, 666, 698,
D21/664; 482/59, 62, 908, 64, 63, 53,
482/61, 57, 58, 127, 133, 51, 9, 60, 904,
482/8, 1, 900; 74/48, 594.1, 594.2,
74/502.4, 502.6; D23/382, 381, 378, 412,
D23/411; D13/115; D15/7; D12/345,
D12/178, 411
CPC . Y10T 74/2164; A63B 22/0605; A63B 69/16;
A63B 21/225; A63B 22/001; B62M 3/00
See application file for complete search history.

(56) **References Cited**
U.S. PATENT DOCUMENTS
D372,284 S * 7/1996 Wang D21/667
D380,796 S * 7/1997 Wang D21/667
D382,924 S * 8/1997 Wu D21/667
D382,925 S * 8/1997 Wu D21/667
D473,602 S * 4/2003 Baudhuin D21/667

OTHER PUBLICATIONS

The Peloton Bike by Peloton dated no date given. Found online
[May 16, 2016] <https://www.pelotoncycle.com/bike>.*

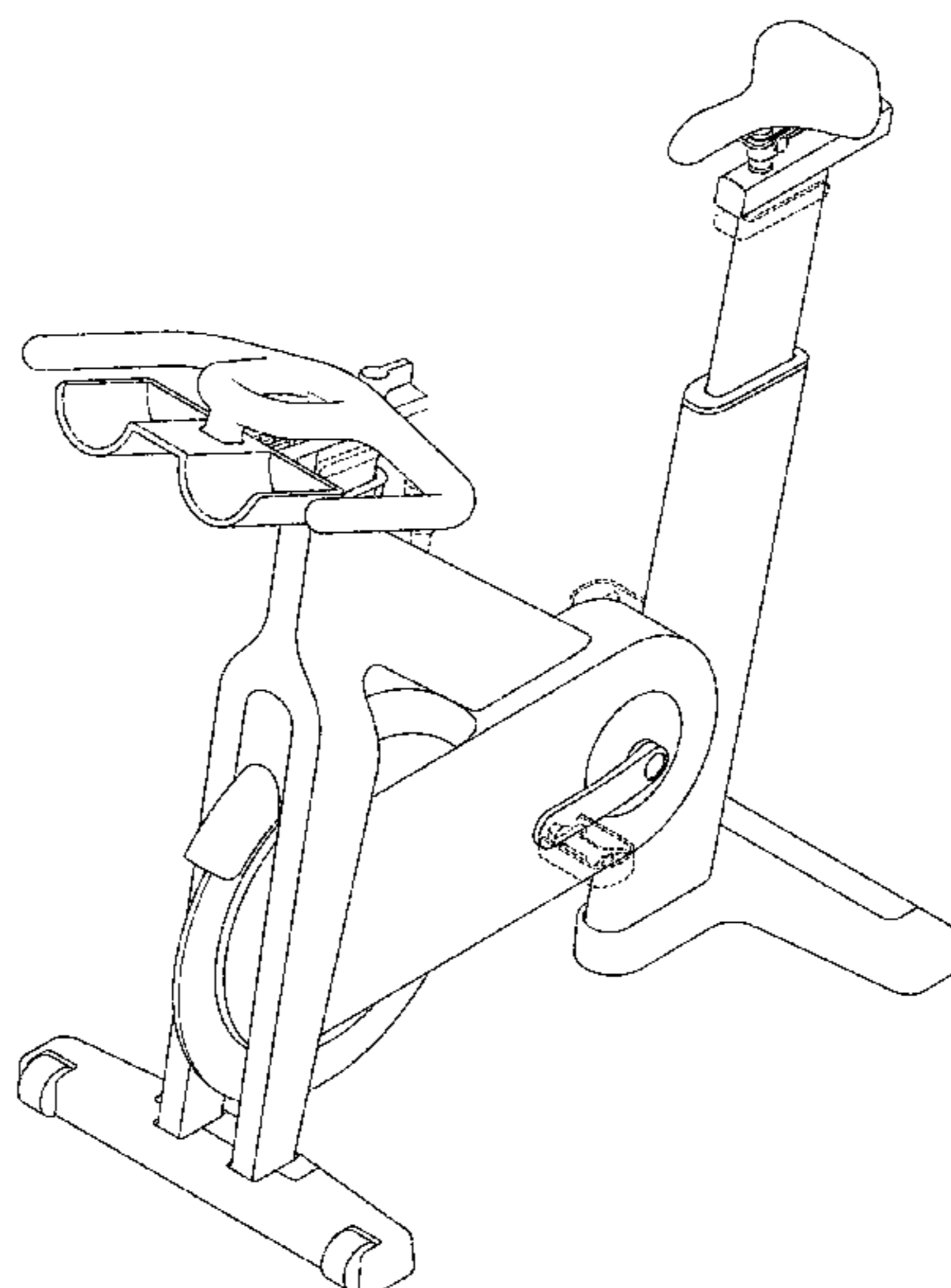
Primary Examiner — Robert M Spear
Assistant Examiner — Ryan Harvey
(74) *Attorney, Agent, or Firm* — Thomas I Horstemeyer,
LLP

(57) **CLAIM**
The ornamental design for stationary bike, as shown and
described.

DESCRIPTION

FIG. 1 is a perspective view of my new stationary bike;
FIG. 2 is a front elevational view of my new stationary bike
of FIG. 1;
FIG. 3 is a rear elevational view of my new stationary bike,
opposite that of FIG. 2;
FIG. 4 is a side elevational view of my new stationary bike
of FIG. 1;
FIG. 5 is a side elevational view of my new stationary bike
from a side opposite that of FIG. 4;
FIG. 6 is a top view of my new stationary bike; and,
FIG. 7 is a bottom view of my new stationary bike.
In the drawings, the broken line showing of portions of the
stationary bike illustrates environmental structure and forms
no part of the claimed design.

1 Claim, 7 Drawing Sheets



(56)

References Cited

U.S. PATENT DOCUMENTS

D636,449	S *	4/2011	Wu	D21/667
D649,203	S *	11/2011	Zhang	D21/667
D649,204	S *	11/2011	Zhang	D21/667
D649,607	S *	11/2011	Lull	D21/697
D656,566	S *	3/2012	Decommer	D21/667
D675,687	S *	2/2013	Fischer	D21/663
D676,508	S *	2/2013	Wu	D21/667
D677,349	S *	3/2013	Baudhuin	D21/667
D677,350	S *	3/2013	Goldberg	D21/667
D677,351	S *	3/2013	Baudhuin	D21/697
D677,746	S *	3/2013	Baudhuin	D21/667
D677,747	S *	3/2013	Baudhuin	D21/697
D679,765	S *	4/2013	Baudhuin	D21/697
D682,371	S *	5/2013	Baudhuin	D21/667
D682,954	S *	5/2013	Cornejo	D21/667
D684,223	S *	6/2013	Cornejo	D21/667
D709,566	S *	7/2014	Baudhuin	D21/667
2012/0088637	A1 *	4/2012	Lull	A63B 21/015 482/57
2014/0038781	A1 *	2/2014	Foley	A63B 24/0075 482/9

* cited by examiner

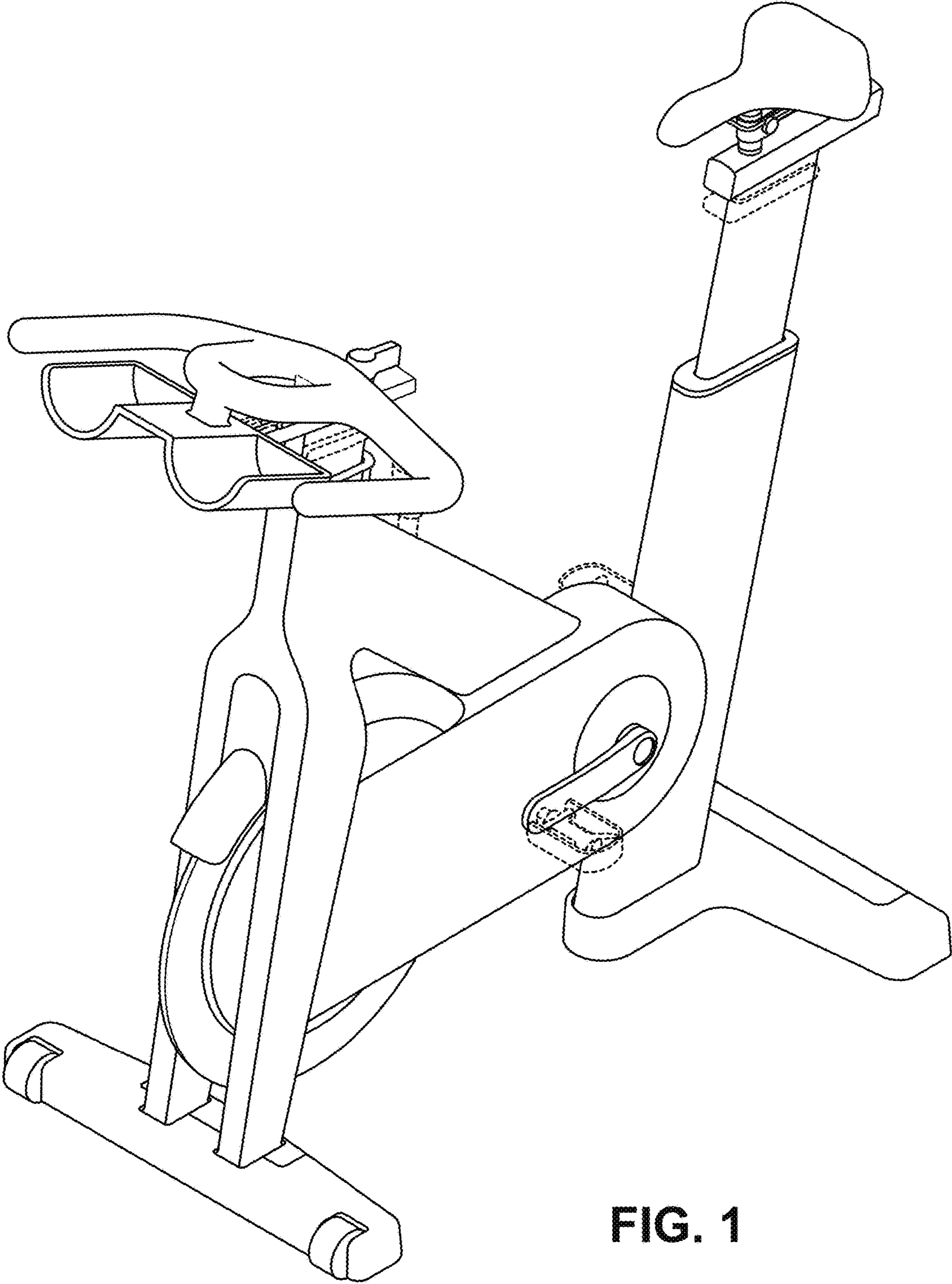


FIG. 1

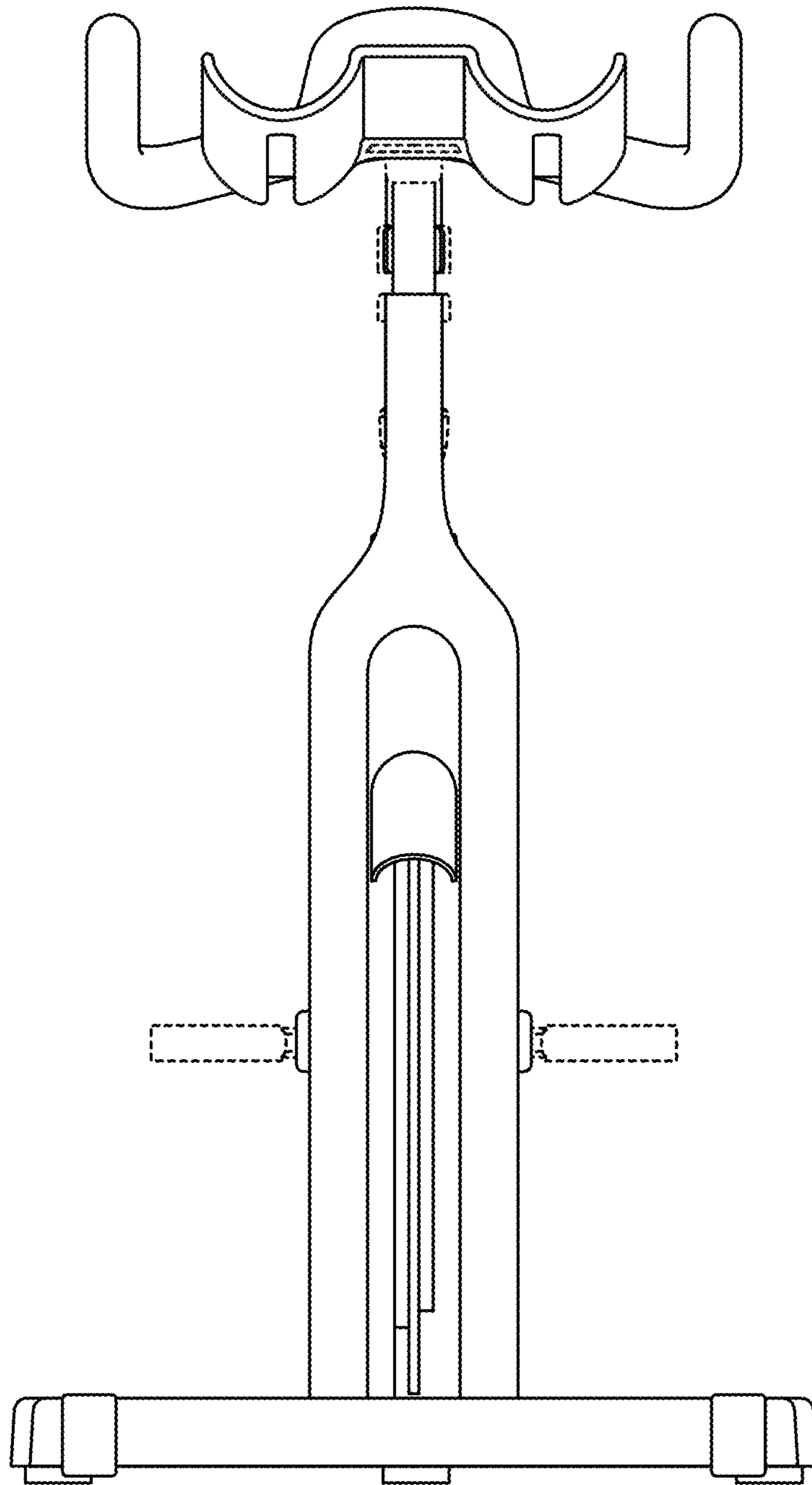


FIG. 2

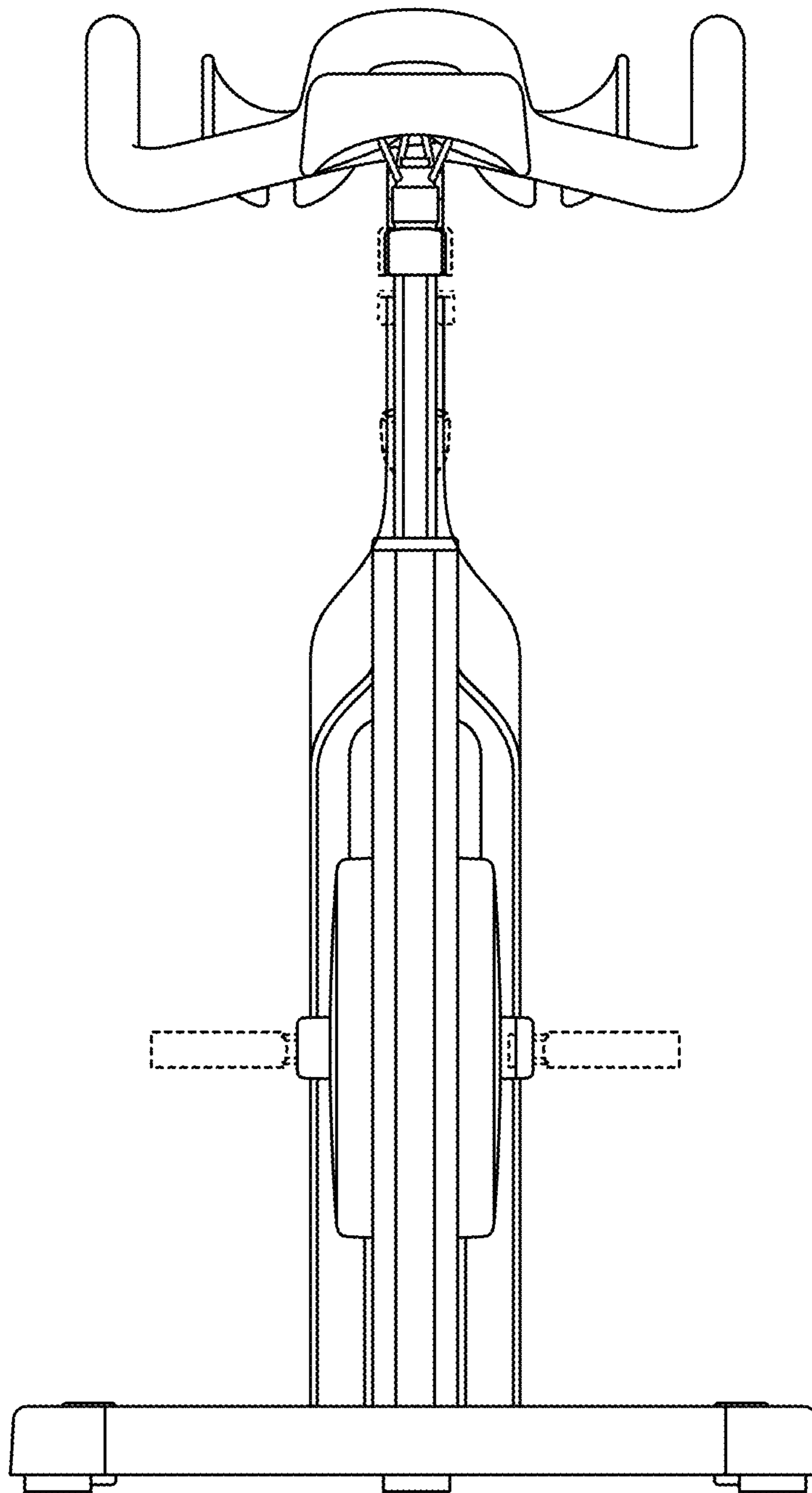


FIG. 3

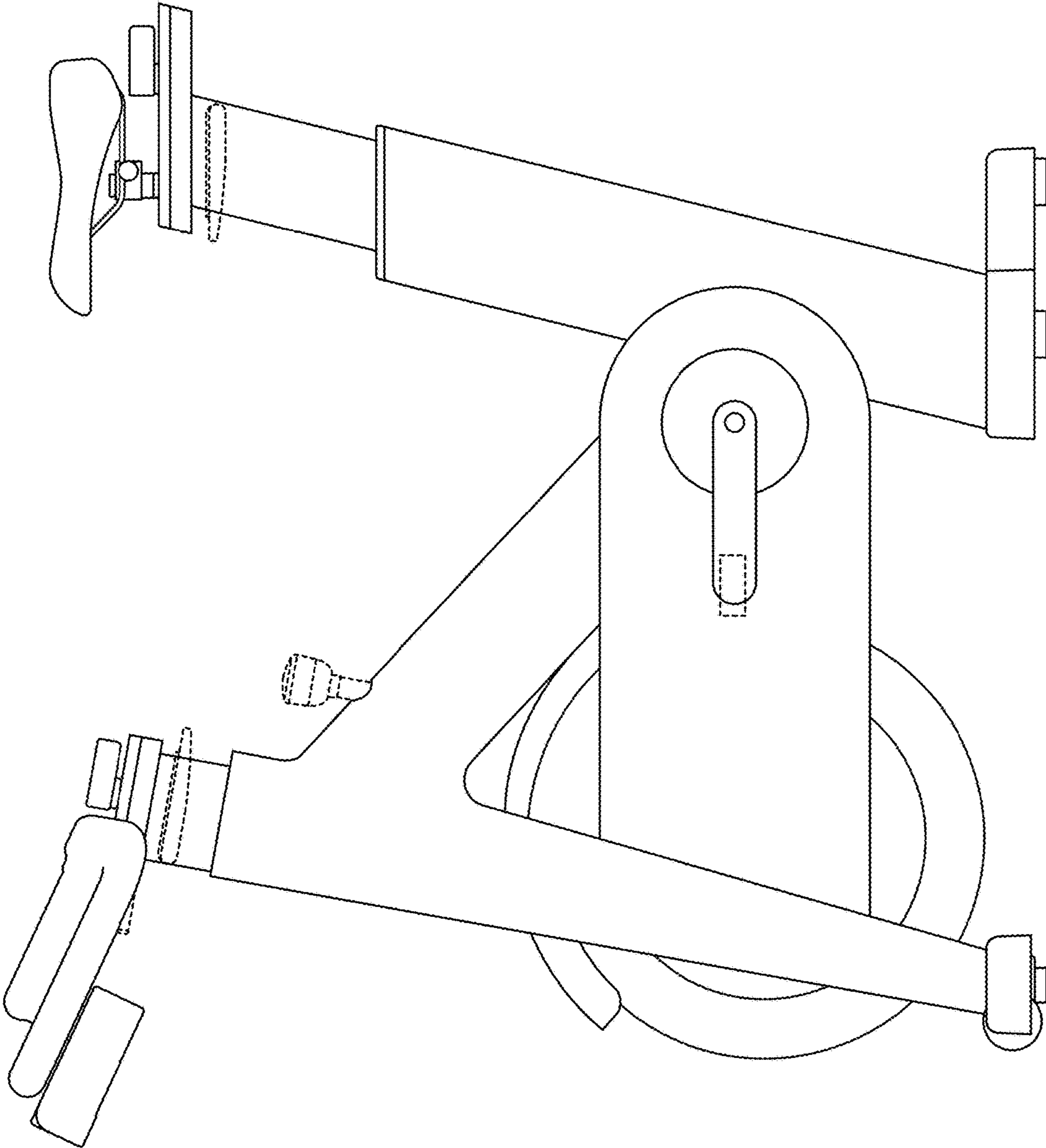


FIG. 4

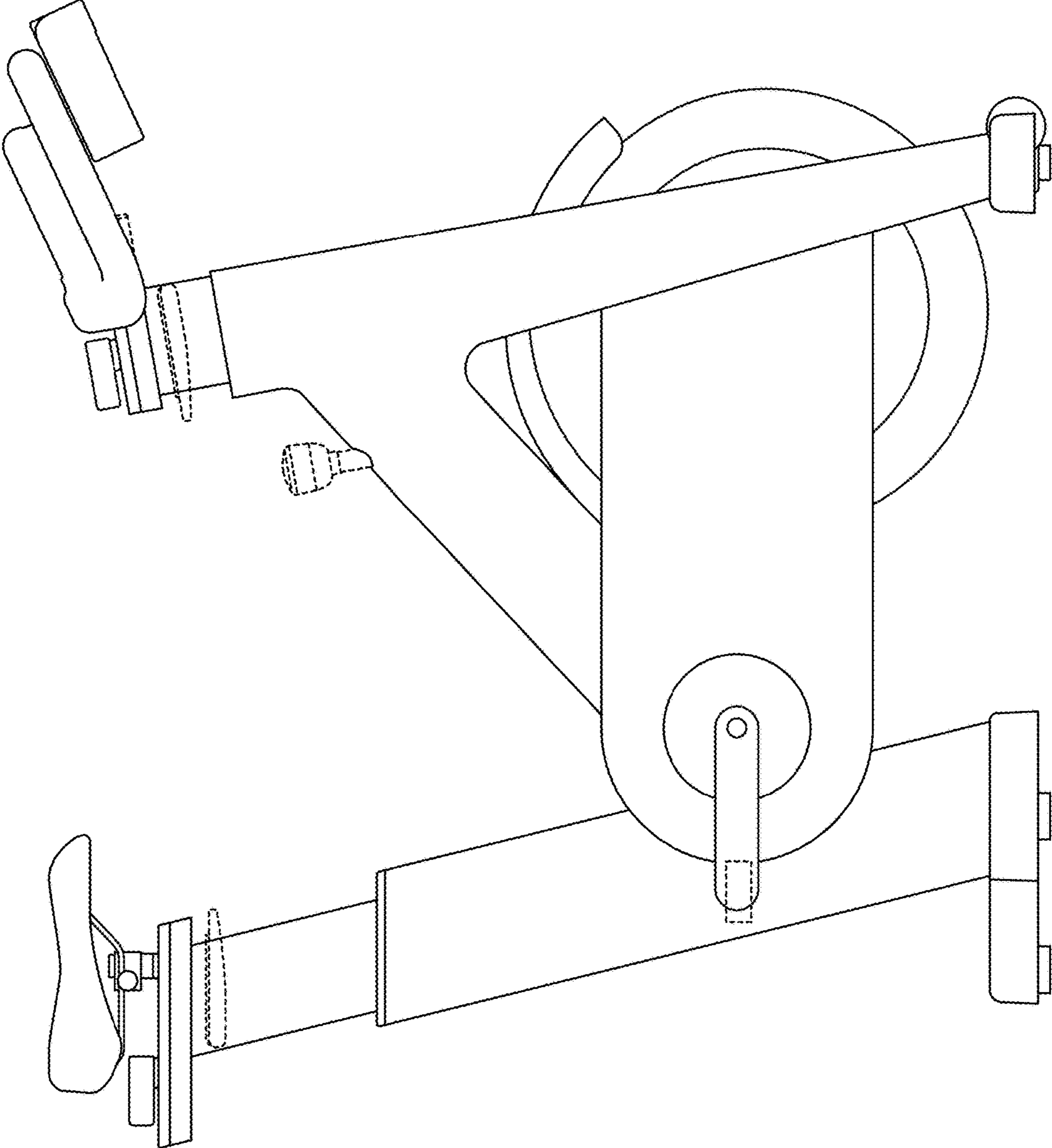


FIG. 5

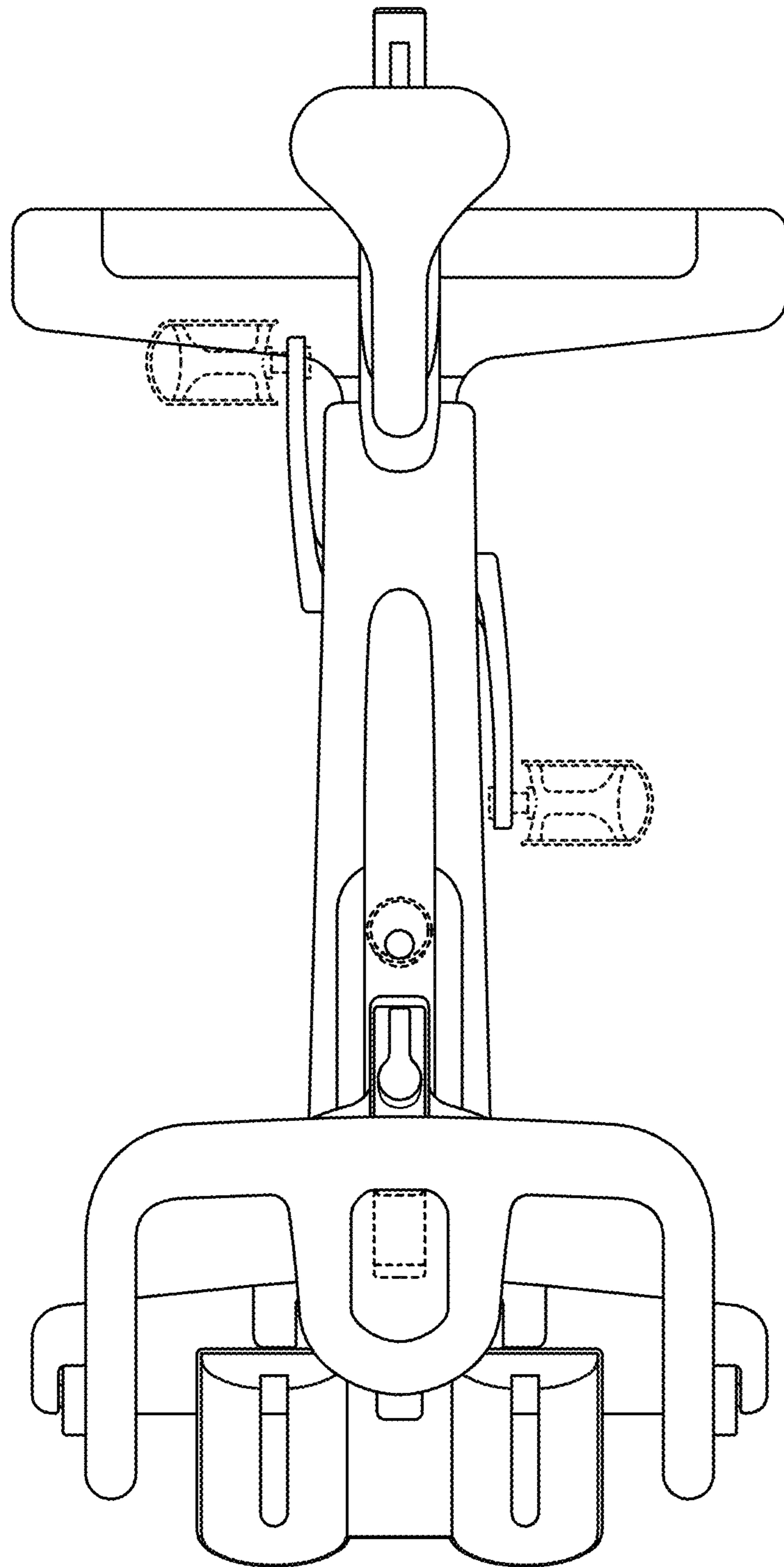


FIG. 6

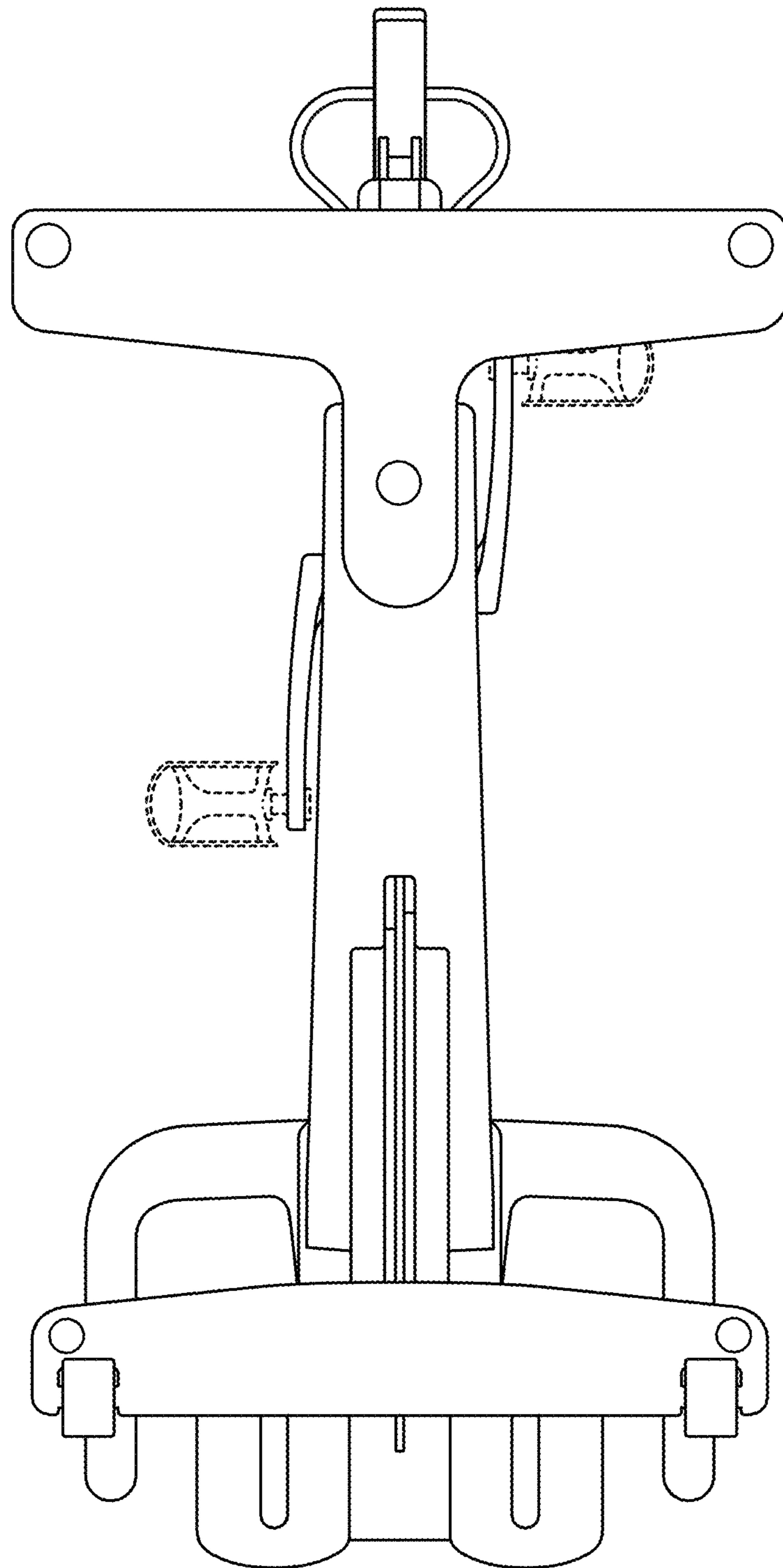


FIG. 7