



US00D794723S

(12) **United States Design Patent**
Liu et al.

(10) **Patent No.:** **US D794,723 S**
(45) **Date of Patent:** **** Aug. 15, 2017**

(54) **CONSTRUCTION SET BLOCK**

(71) Applicant: **UBTECH Robotics Corp.**, Shenzhen (CN)
(72) Inventors: **Lefeng Liu**, Shenzhen (CN); **Yumiao Wu**, Shenzhen (CN); **Dingkai Xing**, Shenzhen (CN); **Xiongyuan Fang**, Shenzhen (CN); **Xinpu Chen**, Shenzhen (CN)
(73) Assignee: **UBTECH ROBOTICS CORP.**, Shenzhen (CN)

(**) Term: **15 Years**
(21) Appl. No.: **29/576,584**
(22) Filed: **Sep. 6, 2016**

(30) **Foreign Application Priority Data**
Mar. 24, 2016 (CN) 2016 1 0173646
(51) **LOC (10) Cl.** **21-01**
(52) **U.S. Cl.**
USPC **D21/500**
(58) **Field of Classification Search**
USPC D21/478, 479, 484, 485-505; 446/69, 446/85, 102-128; 434/208, 259, 403; 273/153, 156, 160; 428/174
CPC A63H 33/00; A63H 33/04; A63H 33/06; A63H 33/08; A63H 33/10; A63H 33/12; A63H 33/14; A63F 9/08; A63F 9/12; G09B 1/36
See application file for complete search history.

(56) **References Cited**

U.S. PATENT DOCUMENTS

D295,644 S *	5/1988	Takahashi	D21/495
D344,301 S *	2/1994	Berggreen	D21/484
D345,398 S *	3/1994	Plagborg	D21/485
D369,838 S *	5/1996	Hatting	D21/501
8,790,151 B2 *	7/2014	Bertrand	A63H 33/003 446/128
D723,108 S *	2/2015	Schutt	D21/484

* cited by examiner

Primary Examiner — Cynthia M Chin

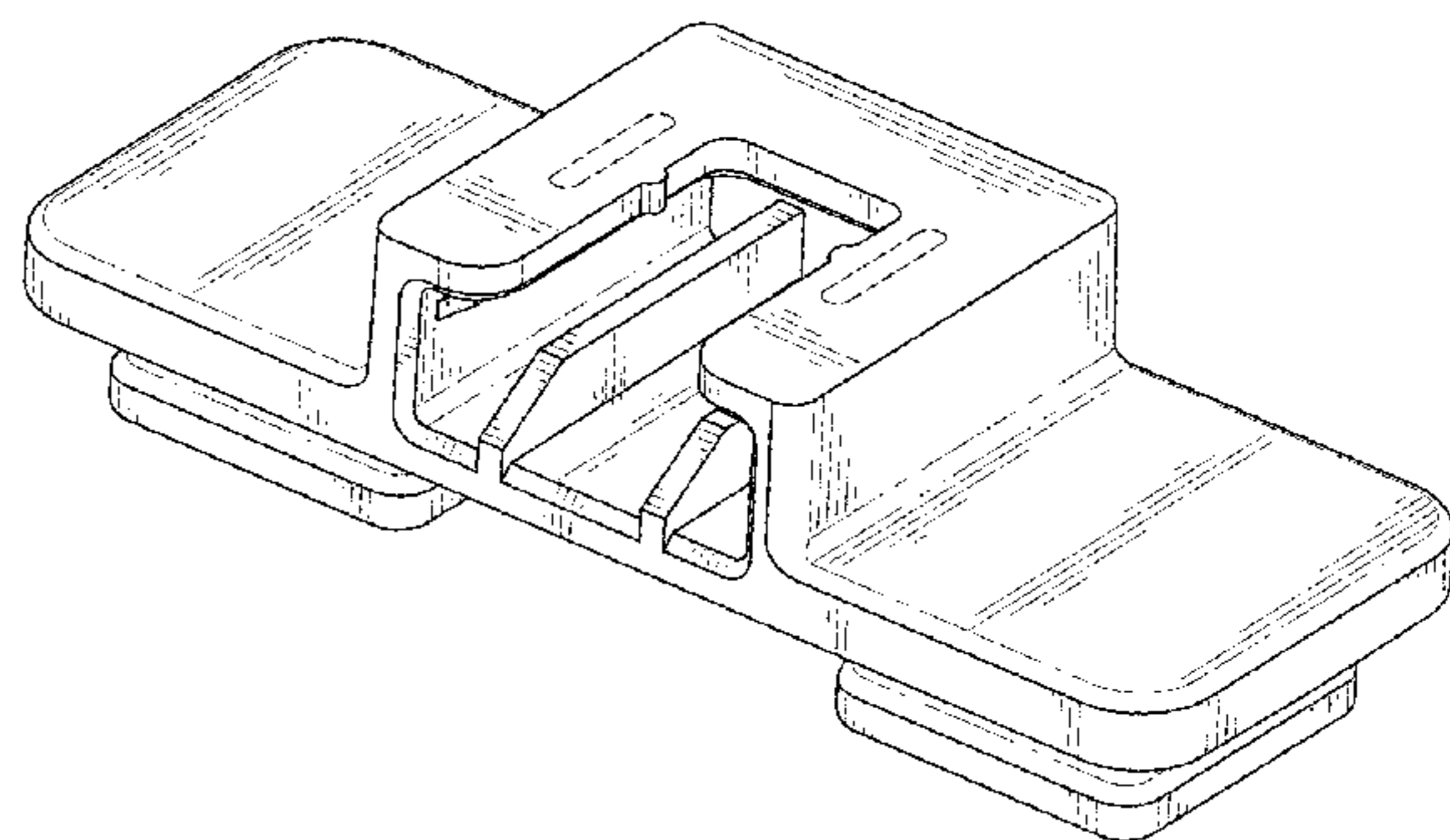
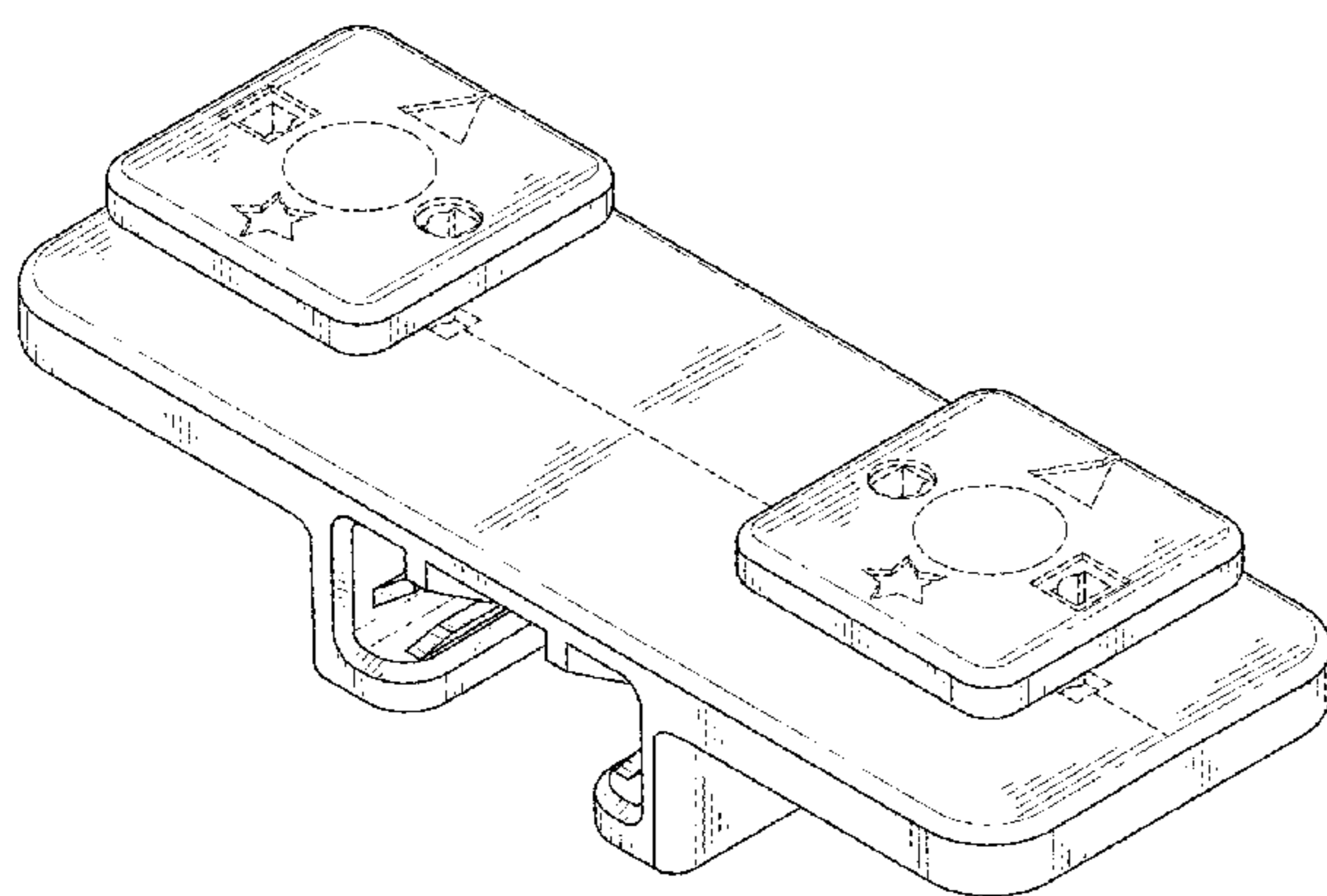
(57) **CLAIM**

The ornamental design for a construction set block, as shown and described.

DESCRIPTION

FIG. 1 is a first perspective view of a construction set block showing our new design;
FIG. 2 is a second perspective view of the construction set block showing our new design;
FIG. 3 is a front elevational view of FIG. 1;
FIG. 4 is a rear elevational view of FIG. 1;
FIG. 5 is a left side elevational view of FIG. 1;
FIG. 6 is a right side elevational view of FIG. 1;
FIG. 7 is a top plan view of FIG. 1; and,
FIG. 8 is a bottom plan view of FIG. 1.
The broken lines represent the environment in which the article resides and forms no part of the claimed design.

1 Claim, 8 Drawing Sheets



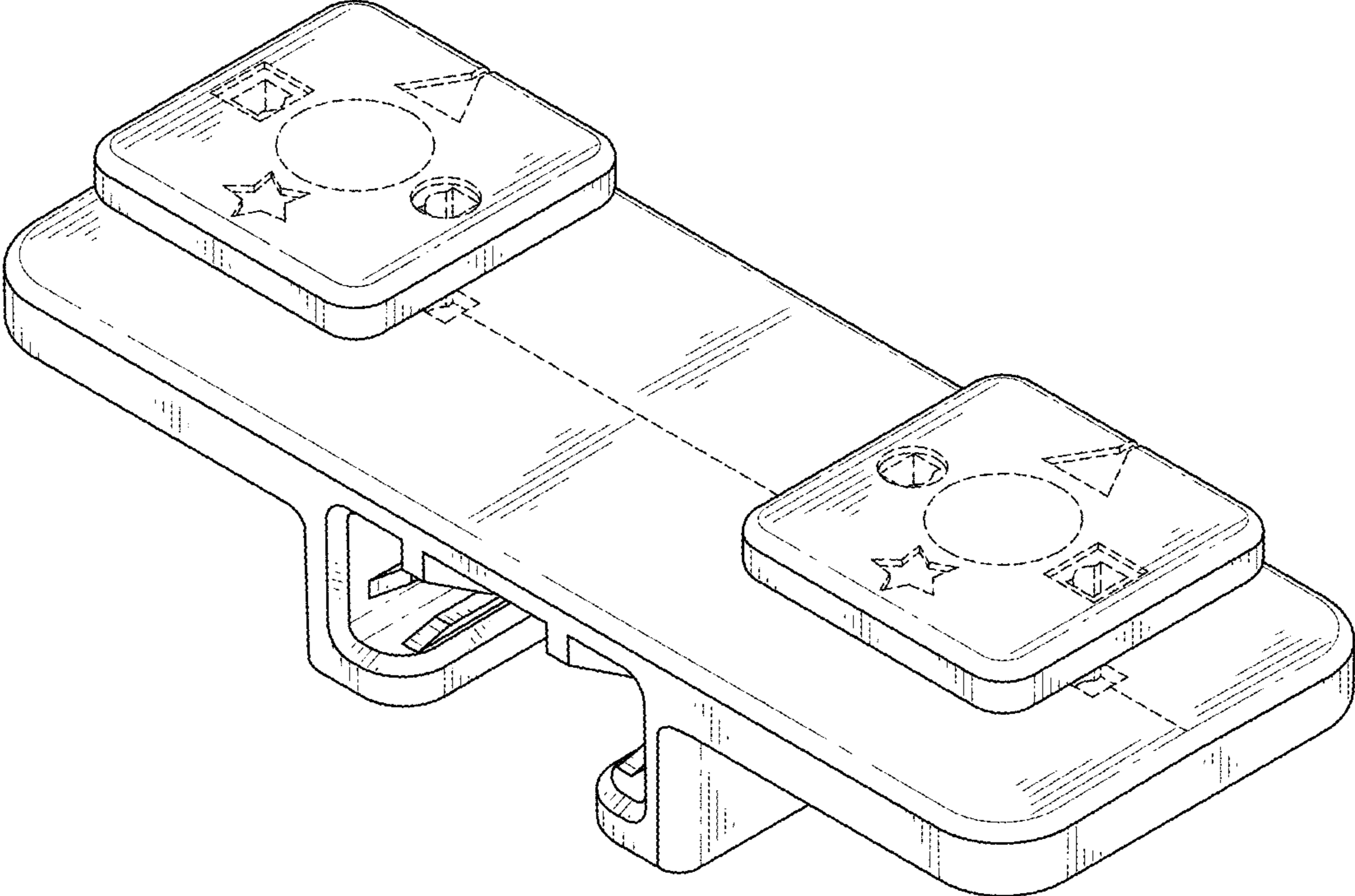


FIG. 1

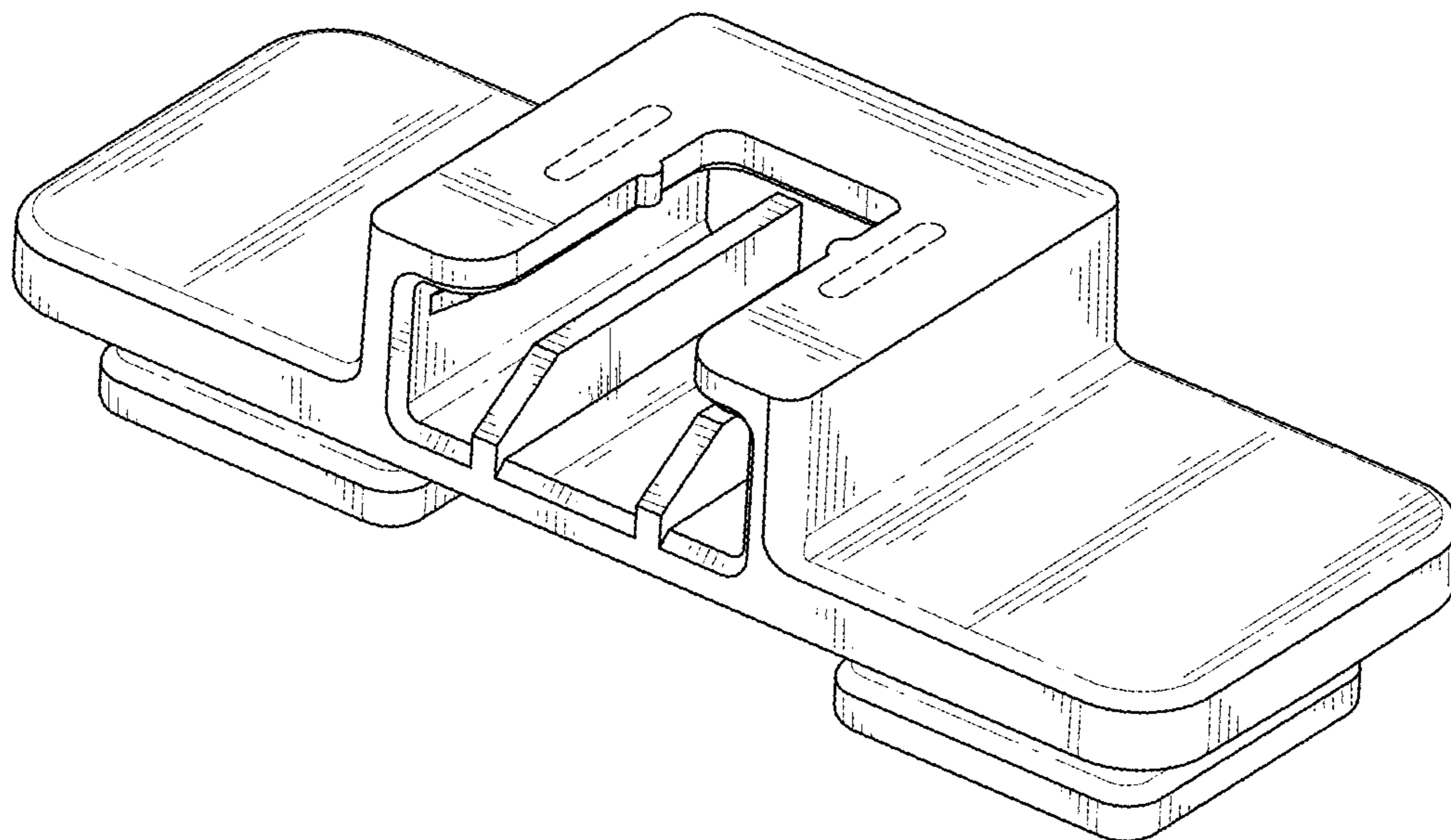


FIG. 2

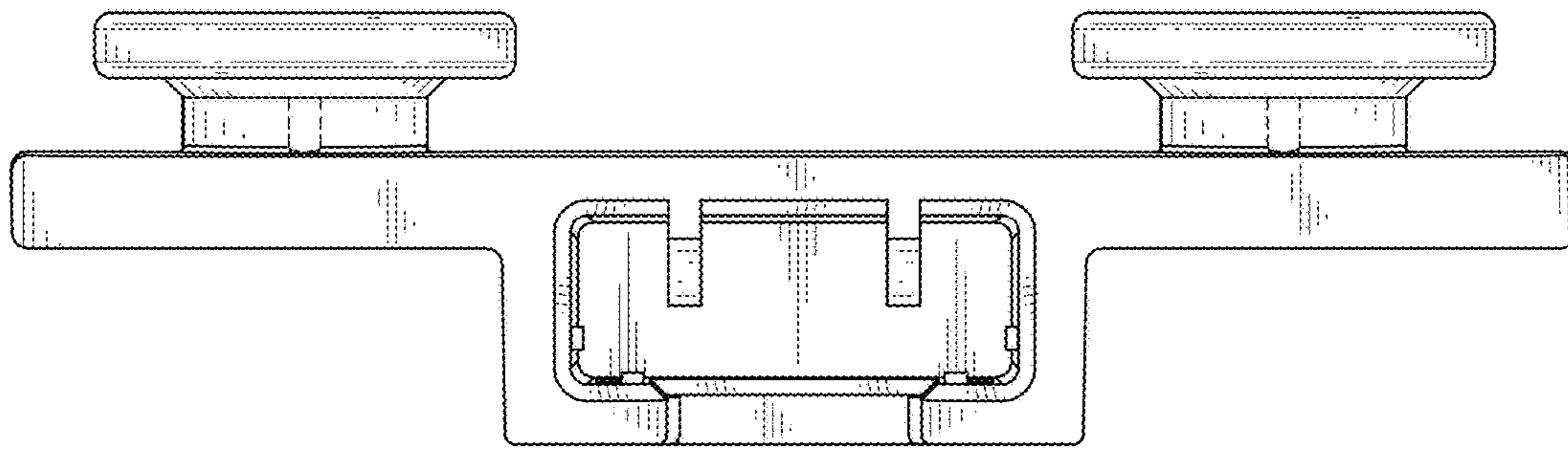


FIG. 3

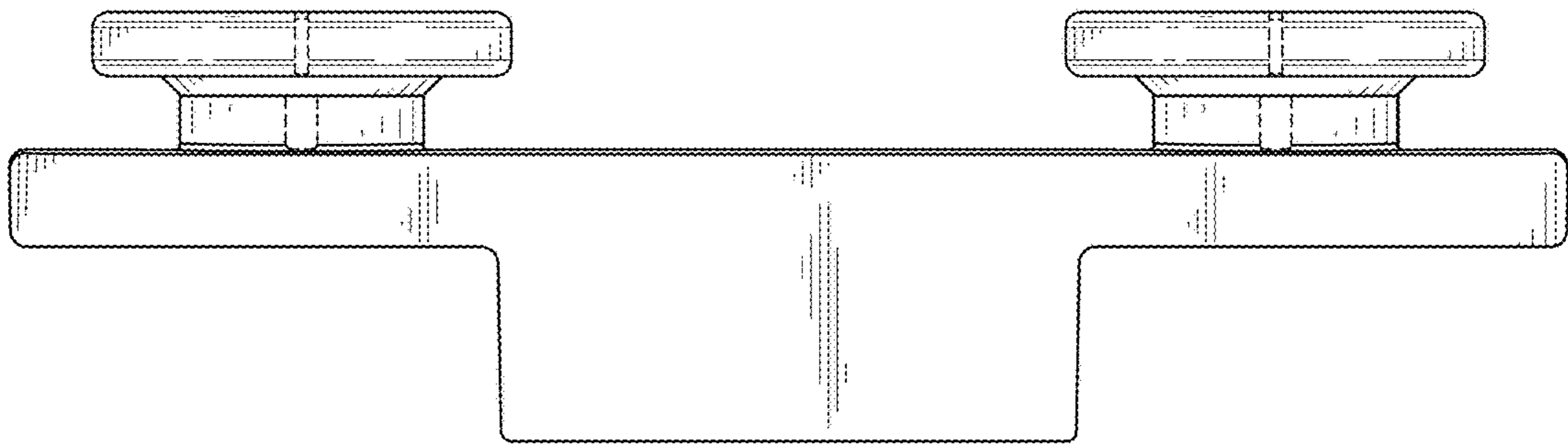


FIG. 4

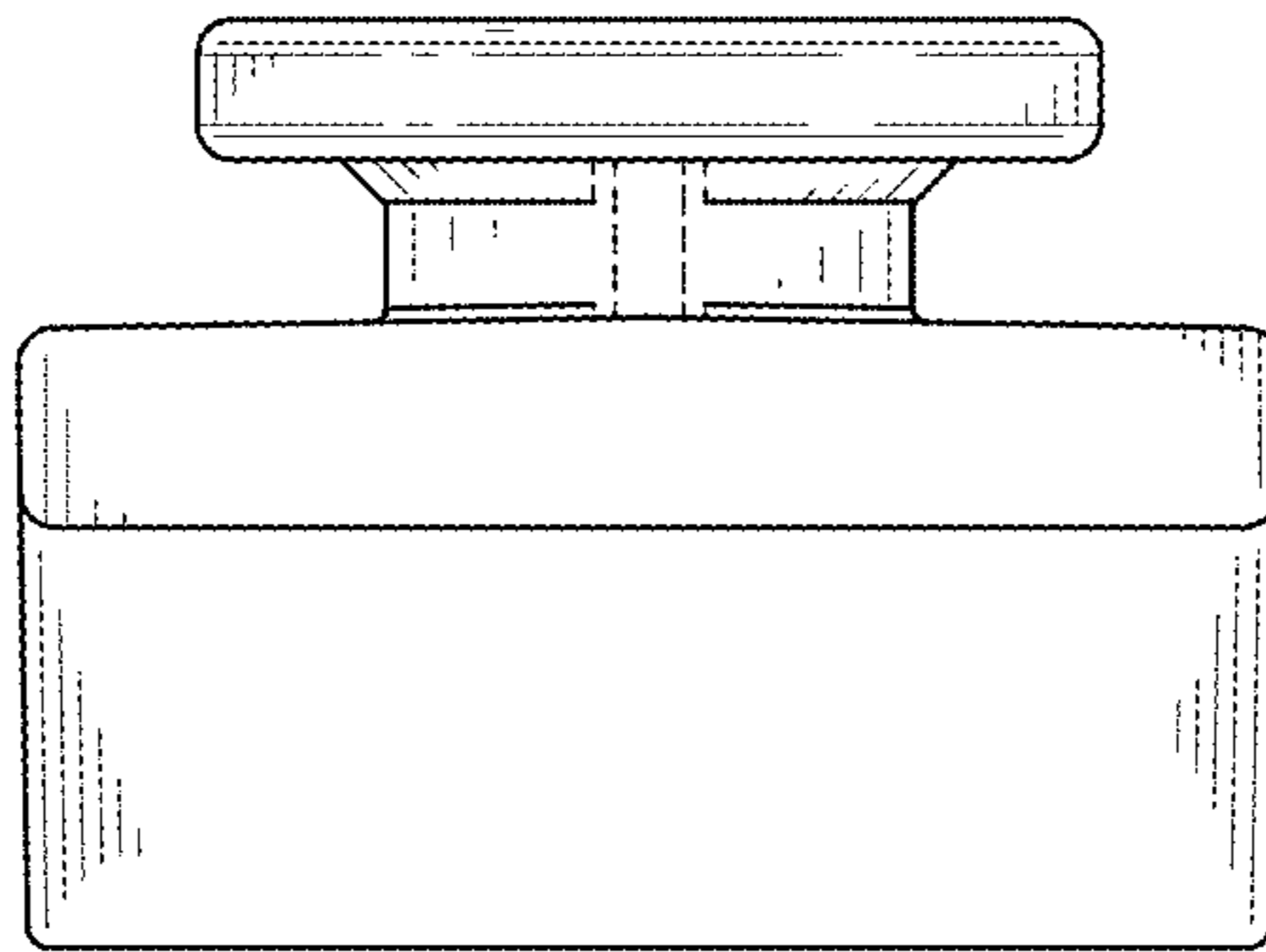


FIG. 5

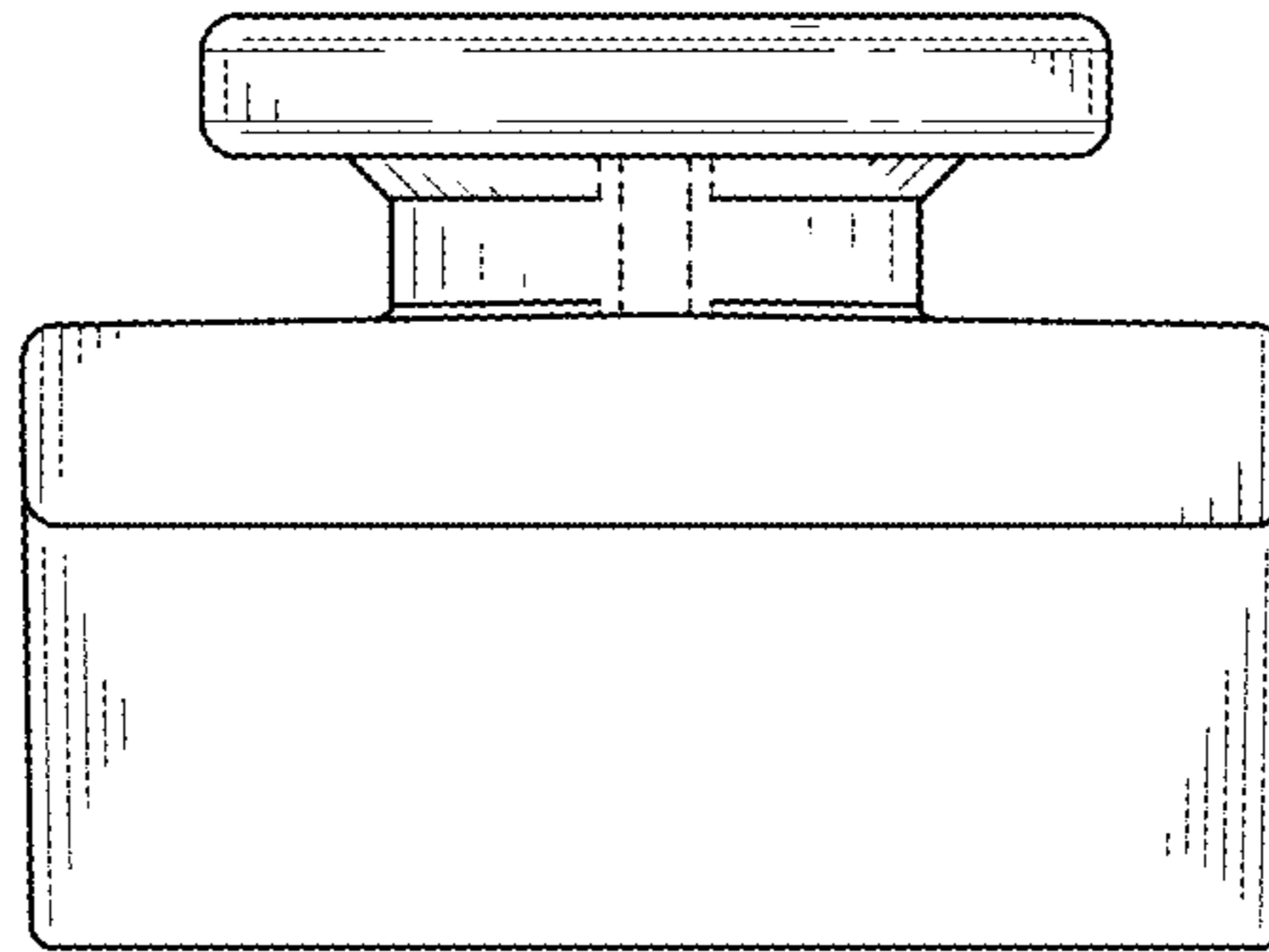


FIG. 6

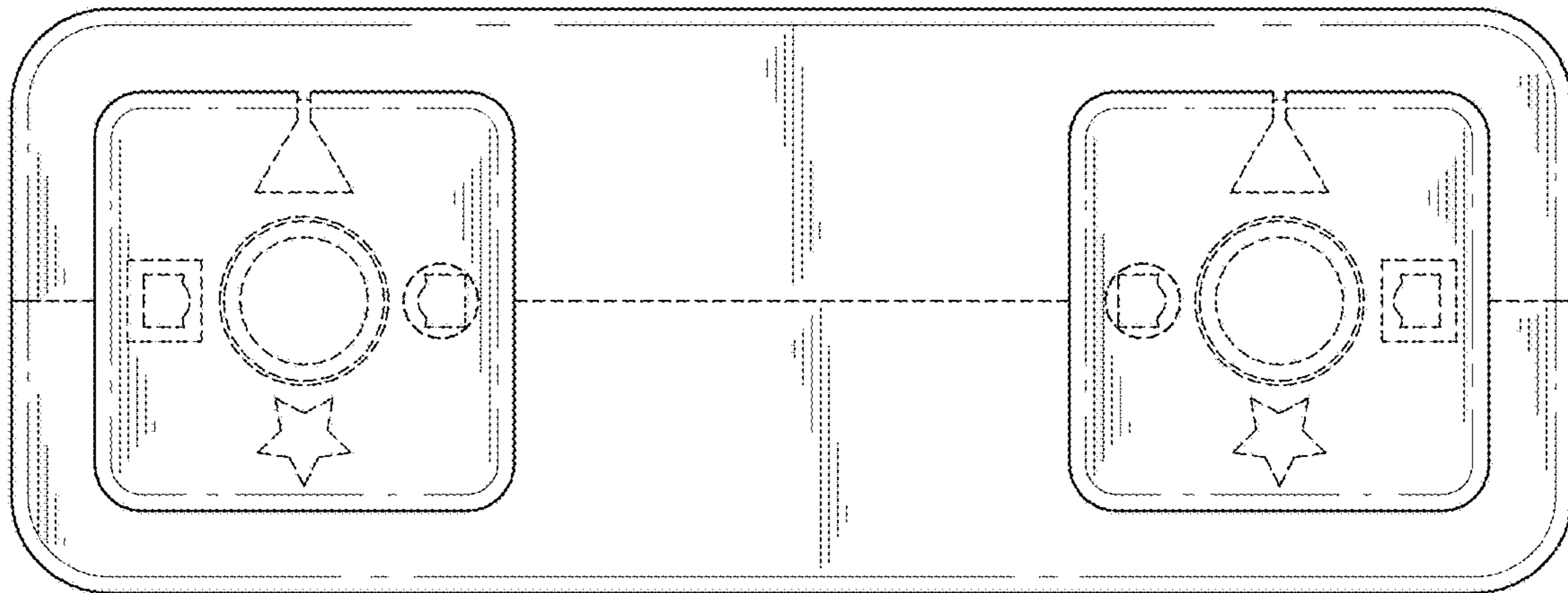


FIG. 7

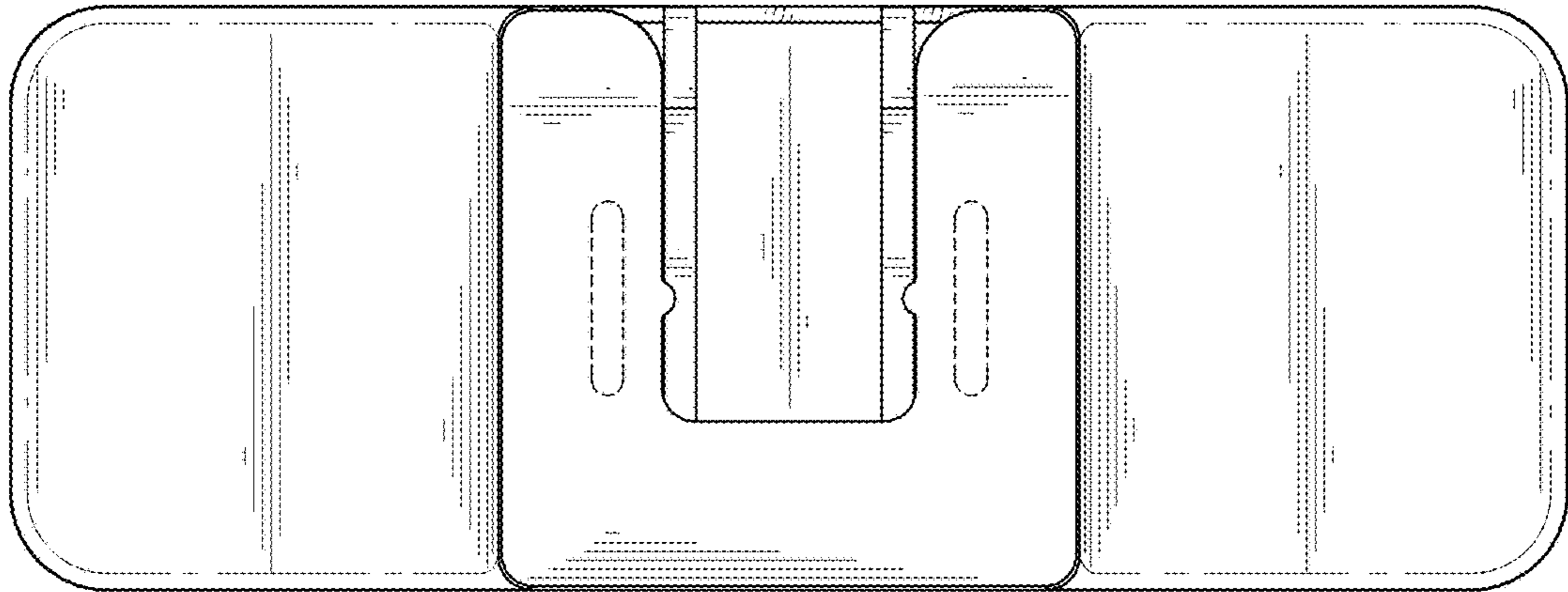


FIG. 8