

US00D794719S

(12) **United States Design Patent** (10) **Patent No.:** **US D794,719 S**
Villar (45) **Date of Patent:** **** *Aug. 15, 2017**

- (54) **KITE**
- (71) Applicant: **Luis Fernando Villar**, Westbury, NY (US)
- (72) Inventor: **Luis Fernando Villar**, Westbury, NY (US)
- (*) Notice: This patent is subject to a terminal disclaimer.
- (**) Term: **14 Years**
- (21) Appl. No.: **29/523,355**
- (22) Filed: **Apr. 9, 2015**
- (51) **LOC (10) Cl.** **21-01**
- (52) **U.S. Cl.**
USPC **D21/445**
- (58) **Field of Classification Search**
USPC D12/321, 322, 323; D21/436, 445
CPC B64C 31/00; B64C 31/06; A63H 27/08;
A63H 27/00
See application file for complete search history.

(56) **References Cited**

U.S. PATENT DOCUMENTS

| | | | | | |
|-----------|-----|---------|-----------|-------|---------------------------|
| 1,400,735 | A * | 12/1921 | Eddy | | A63H 27/08 244/154 |
| 2,151,349 | A * | 3/1939 | Fromme | | A63H 27/08 244/153 A |
| 4,262,866 | A * | 4/1981 | Weathers | | B64C 39/06 244/153 R |
| 4,382,417 | A * | 5/1983 | Talve | | B63H 9/0685 114/102.17 |
| D288,919 | S * | 3/1987 | Bartolini | | D12/321 |
| 4,742,977 | A * | 5/1988 | Crowell | | A63H 27/02 244/123.1 |

| | | | | | |
|--------------|------|---------|----------|-------|--------------------------|
| 5,251,854 | A * | 10/1993 | Iwamoto | | A63H 27/08 244/153 R |
| 5,433,401 | A * | 7/1995 | Ricketts | | A63H 27/08 244/153 R |
| 5,538,204 | A * | 7/1996 | Corbella | | A63H 27/08 244/153 R |
| 6,598,832 | B1 * | 7/2003 | Chang | | A63H 27/08 244/153 A |
| D506,513 | S * | 6/2005 | Tabor | | D21/445 |
| 2007/0120017 | A1 * | 5/2007 | Webb | | A63H 27/08 244/153 R |
| 2014/0197279 | A1 * | 7/2014 | Jack | | A63H 27/085 244/153 R |

* cited by examiner

Primary Examiner — Robert M Spear
Assistant Examiner — Marissa J Cash

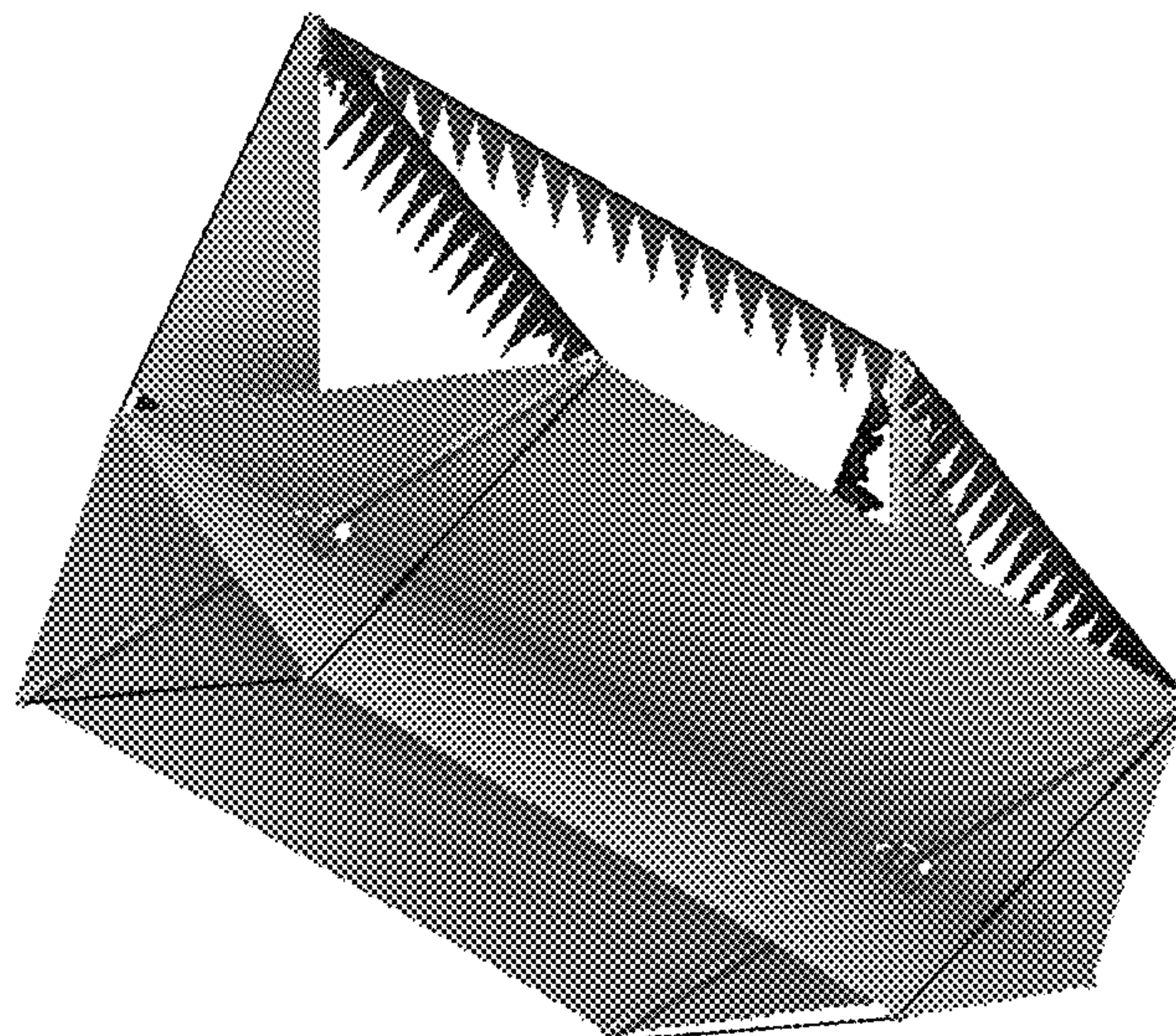
(57) **CLAIM**

The ornamental design for a kite, substantially as shown and described.

DESCRIPTION

FIG. 1 is a bottom-front-right isometric view of the kite showing my new design;
 FIG. 2 is a bottom-front-left isometric view thereof;
 FIG. 3 is a top-front-right isometric view thereof;
 FIG. 4 is a top-front-left isometric view thereof;
 FIG. 5 is a right-side elevation view thereof;
 FIG. 6 is a left-side elevation view thereof;
 FIG. 7 is a front elevation view thereof;
 FIG. 8 is a back elevation view thereof;
 FIG. 9 is a top plan view thereof; and,
 FIG. 10 is a bottom plan view thereof.
 The broken lines in the drawings represent unclaimed environmental subject matter and form no part of the claim.

1 Claim, 5 Drawing Sheets



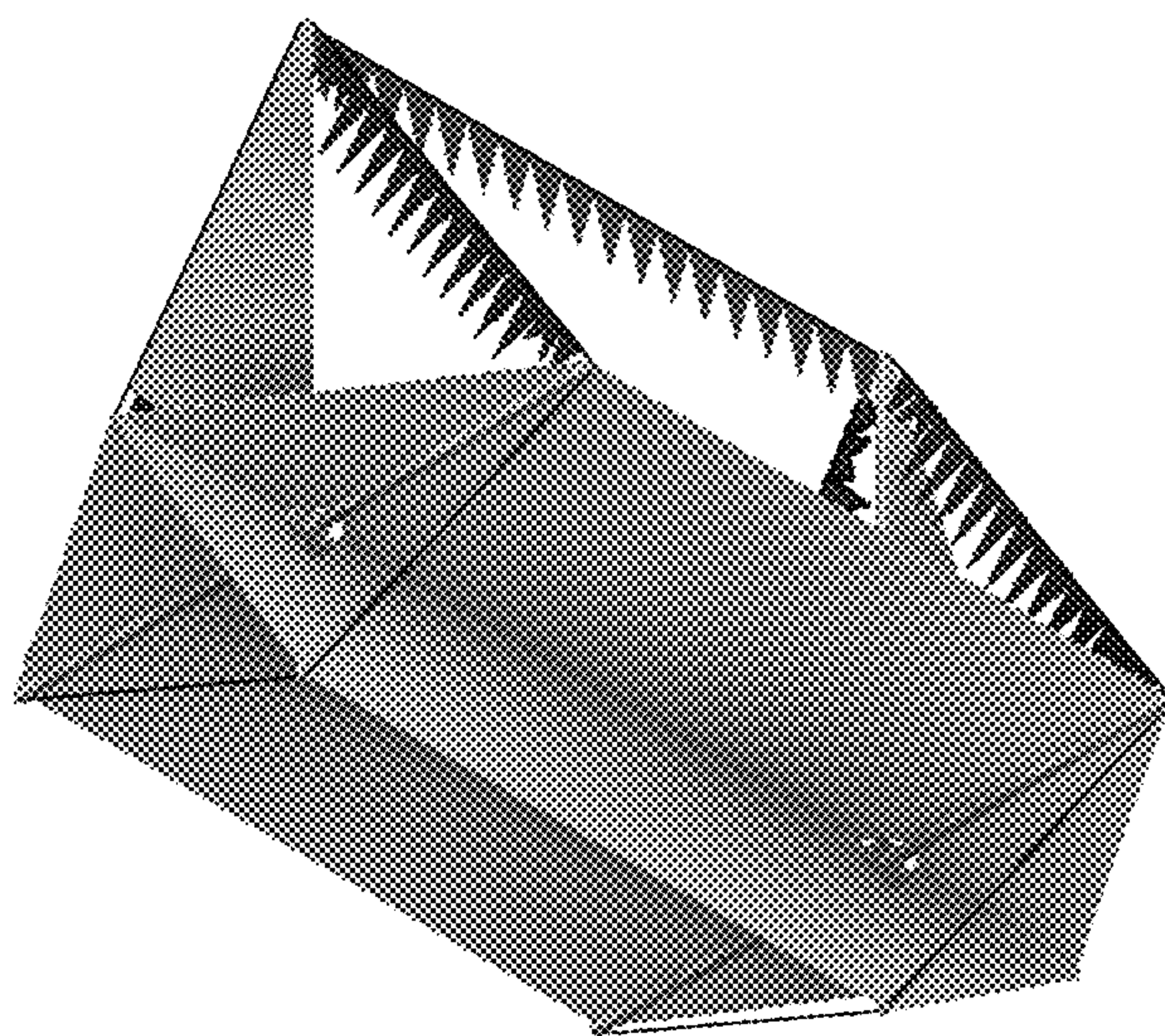


Figure 1

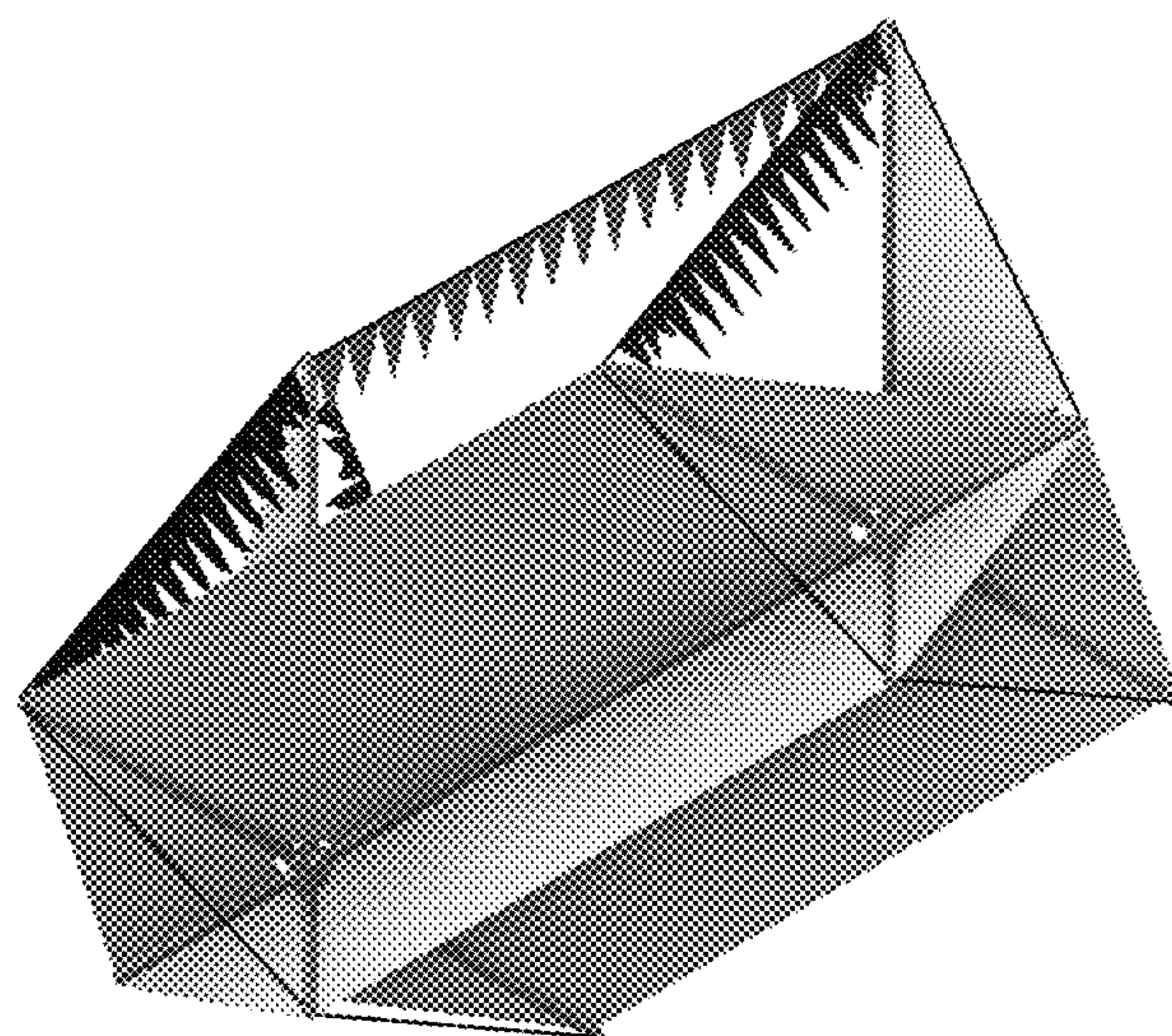


Figure 2

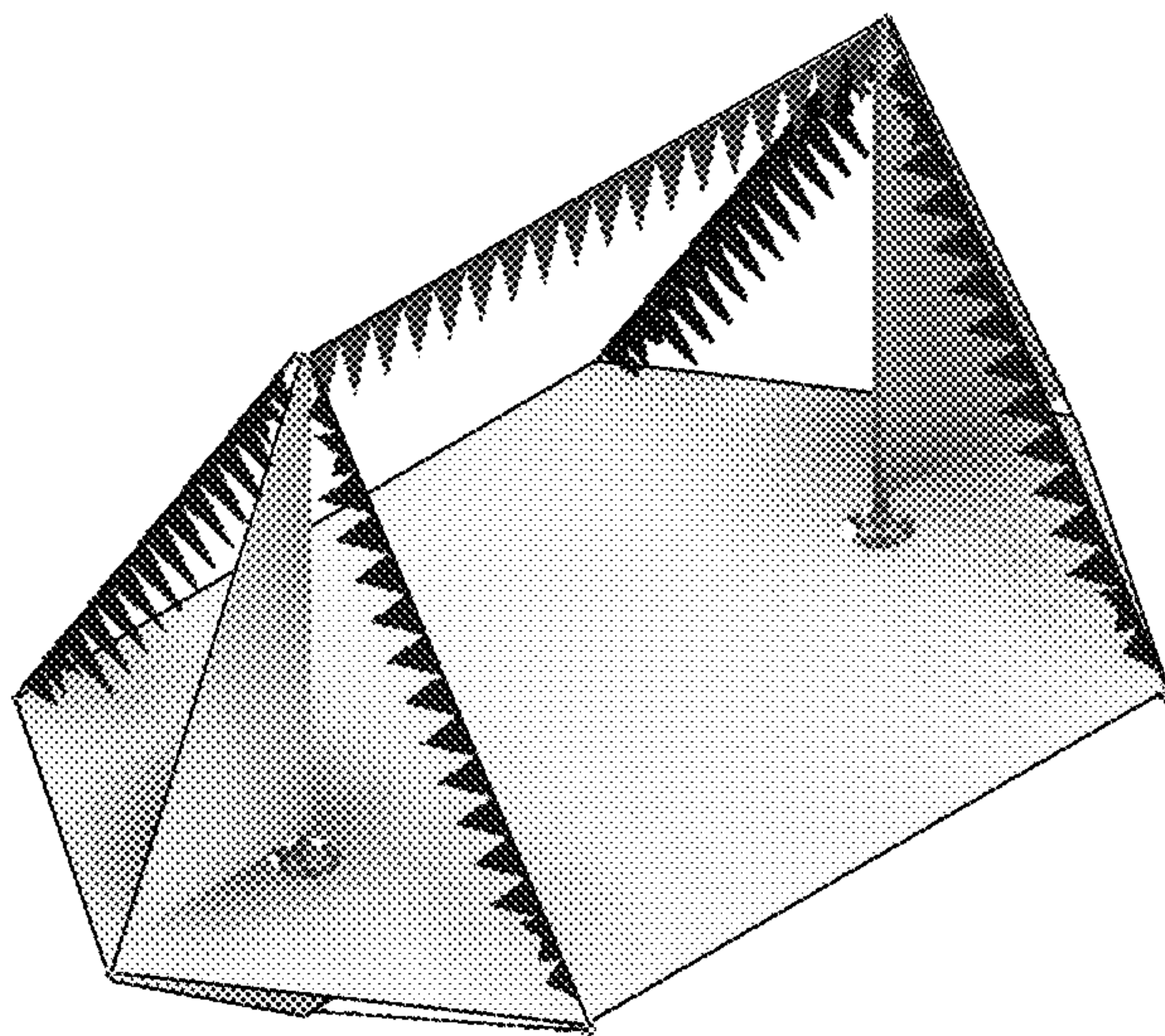


Figure 3

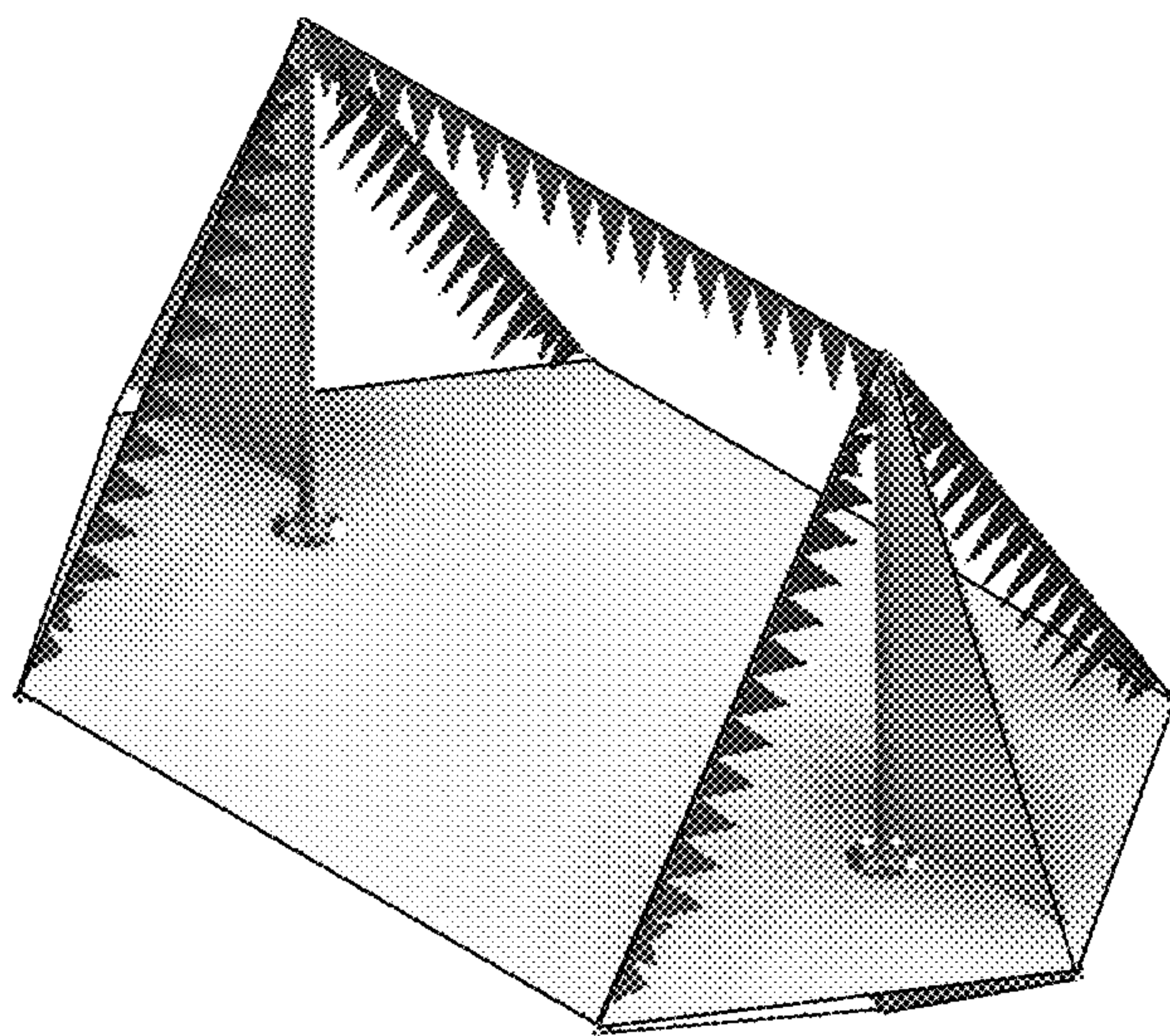


Figure 4

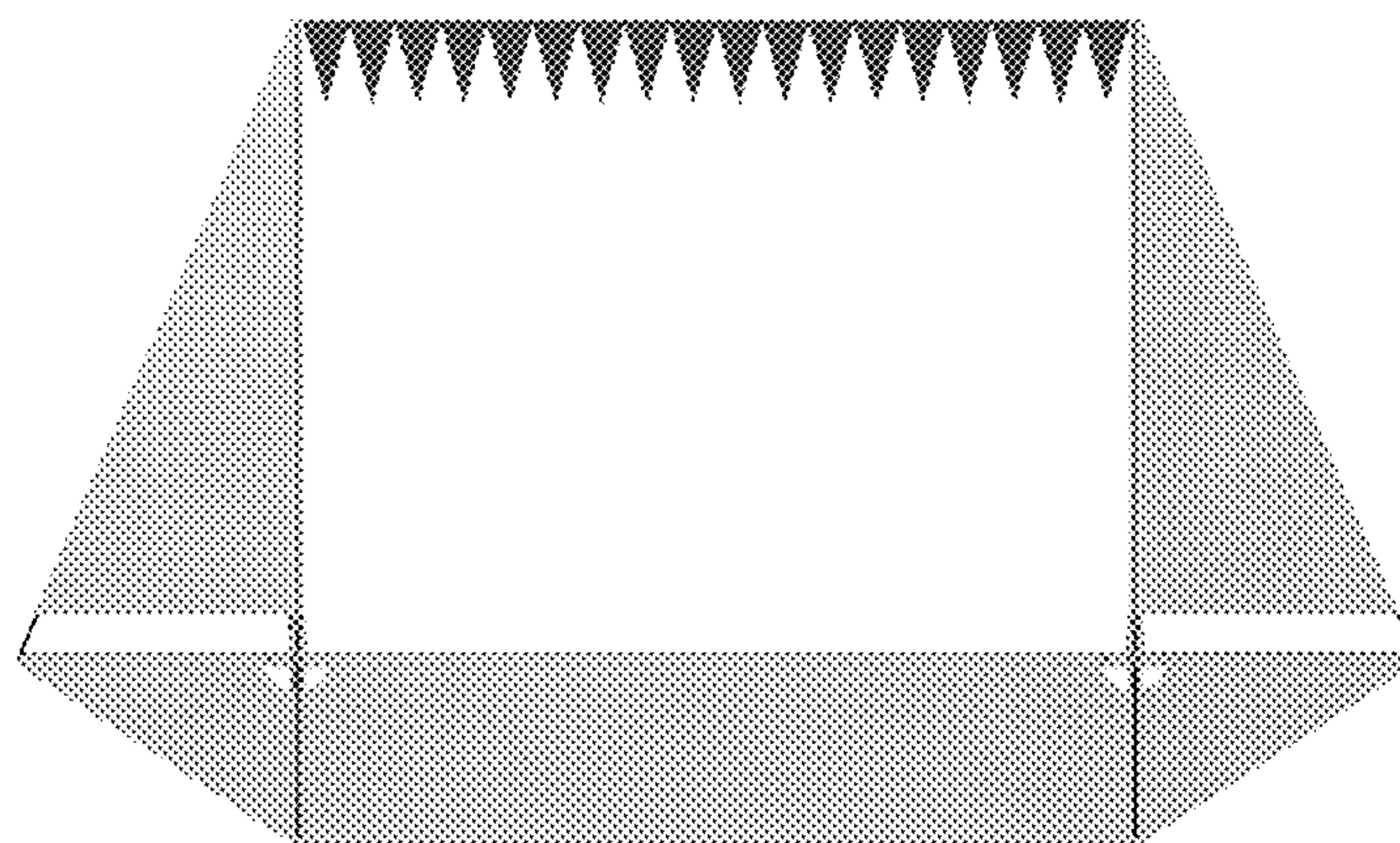


Figure 5

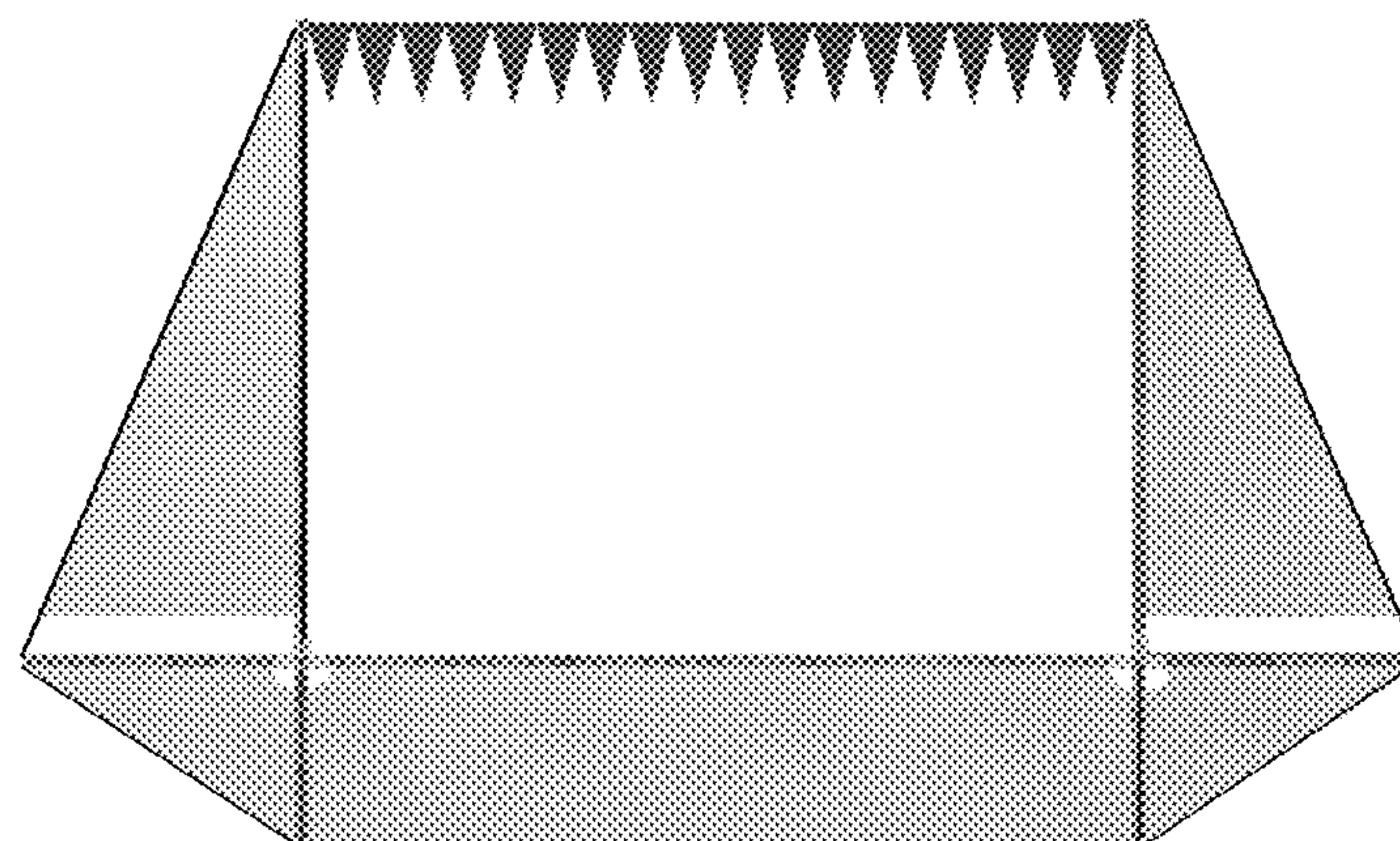


Figure 6

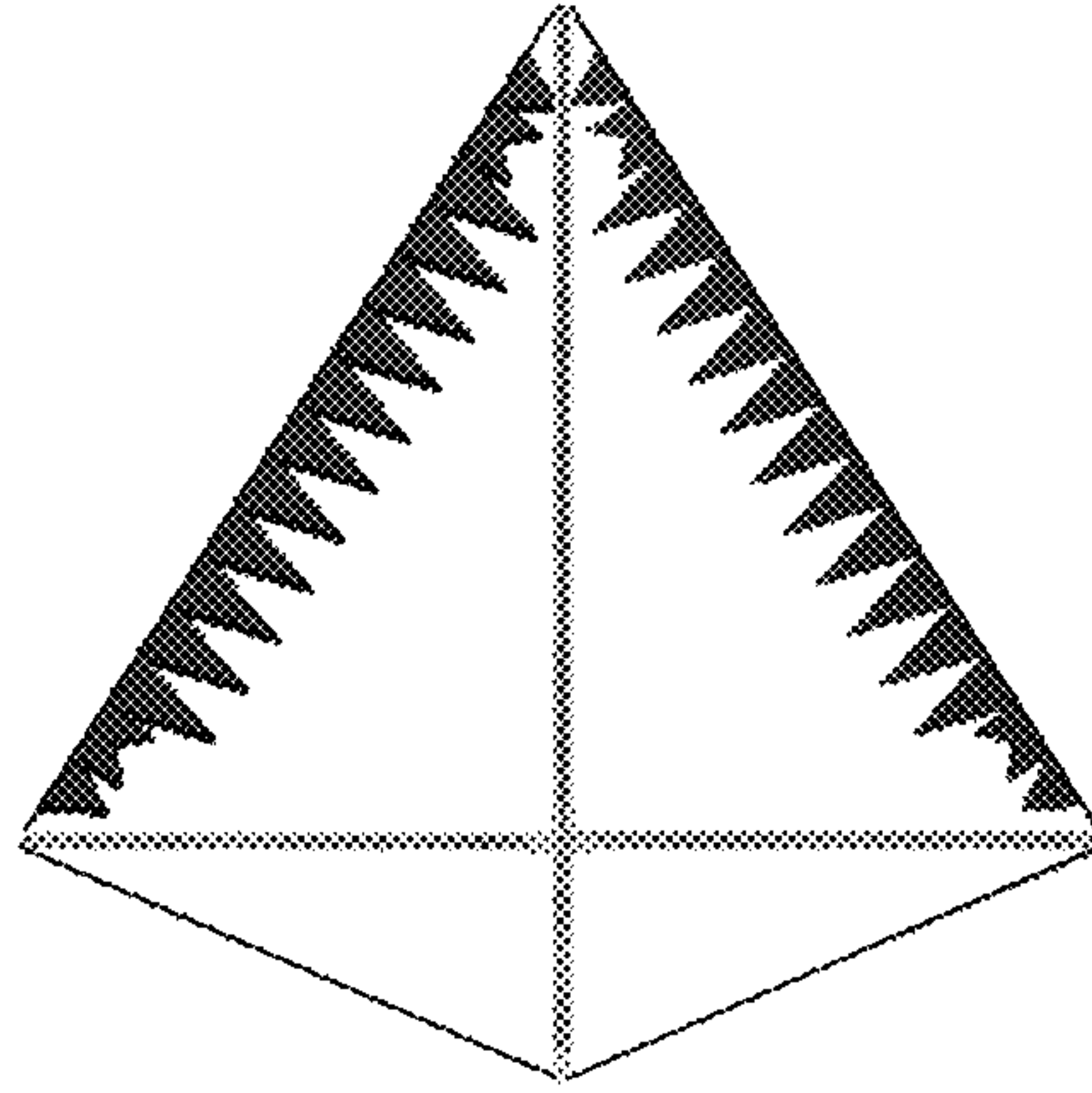


Figure 7

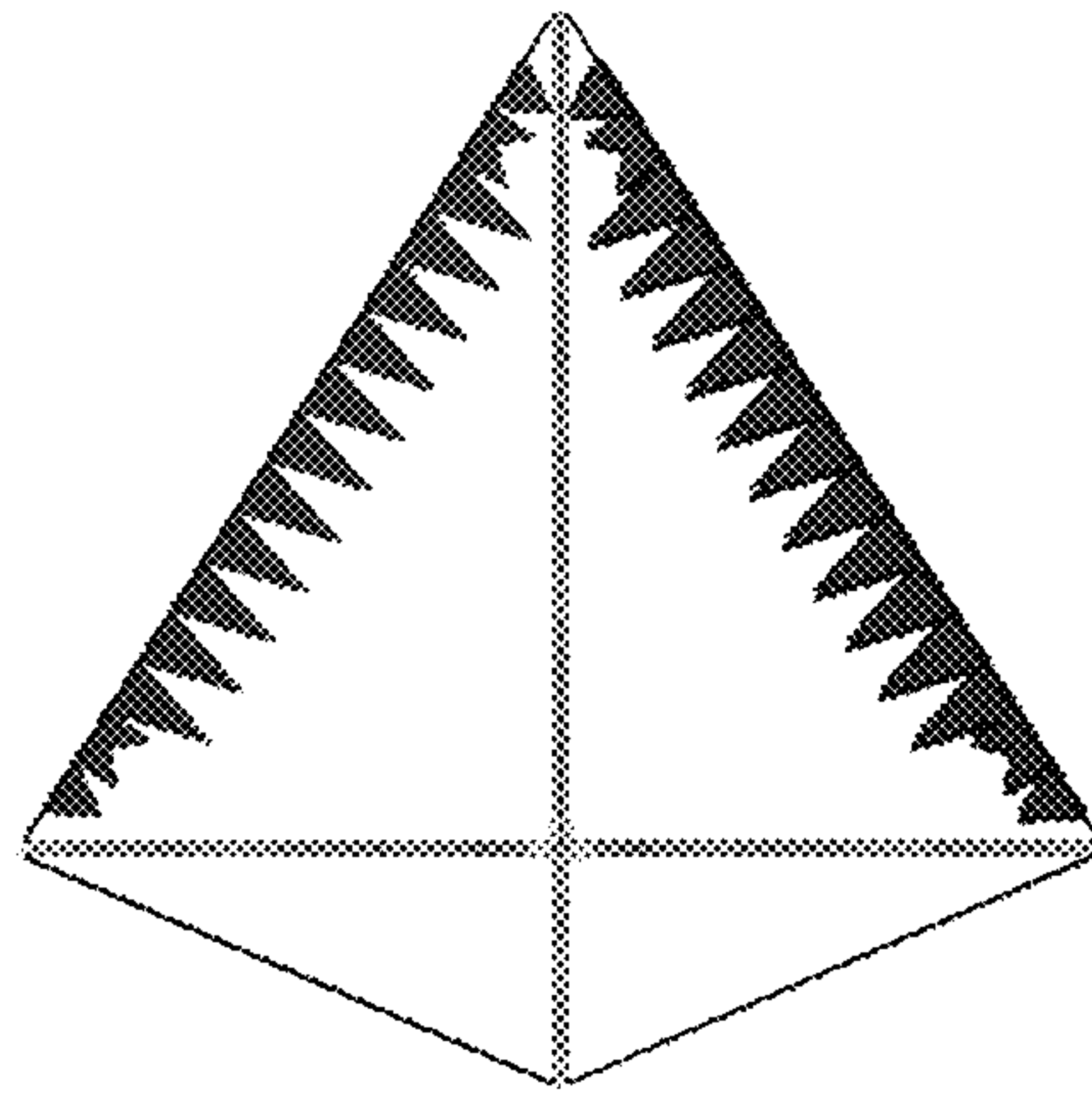


Figure 8

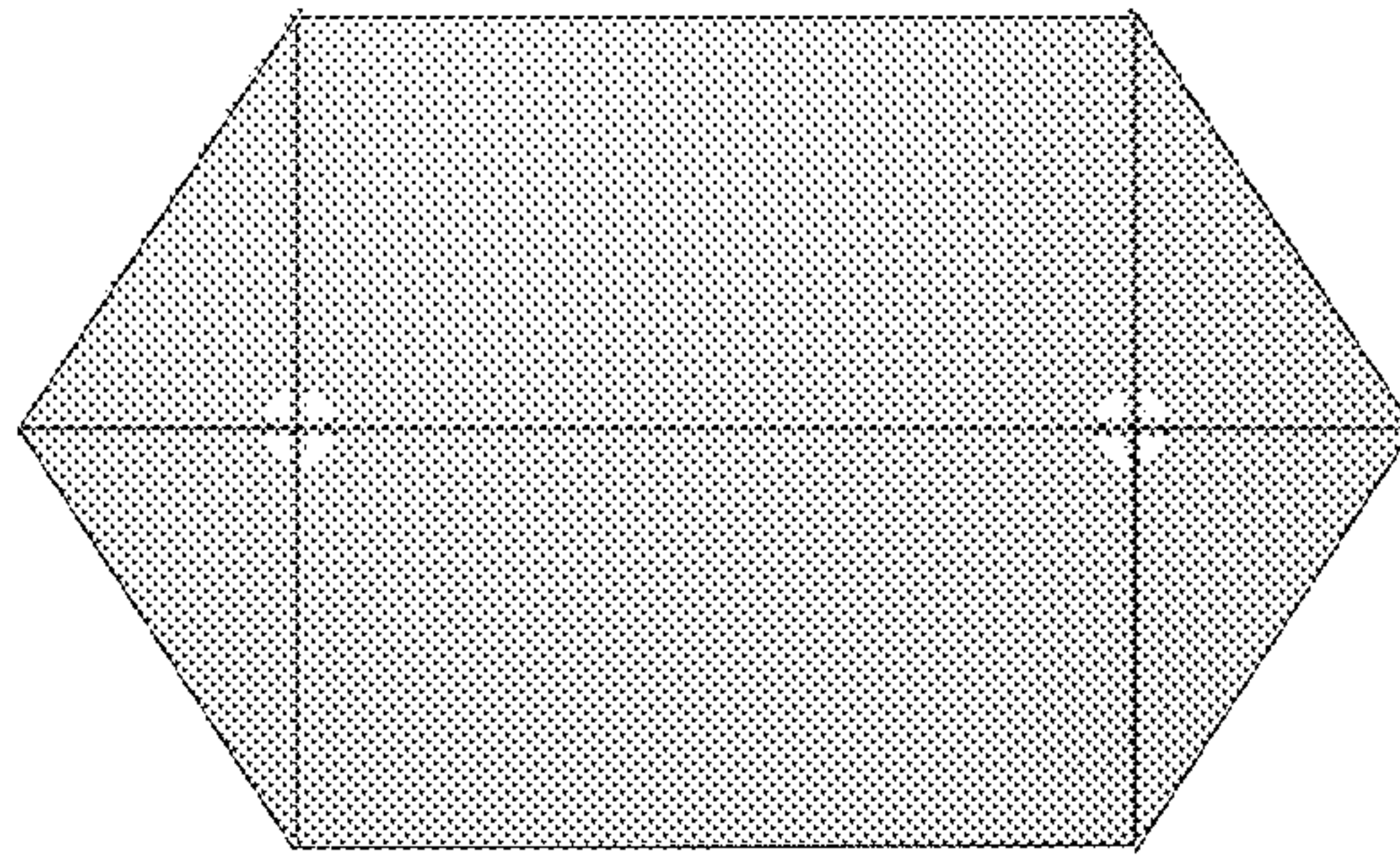


Figure 9

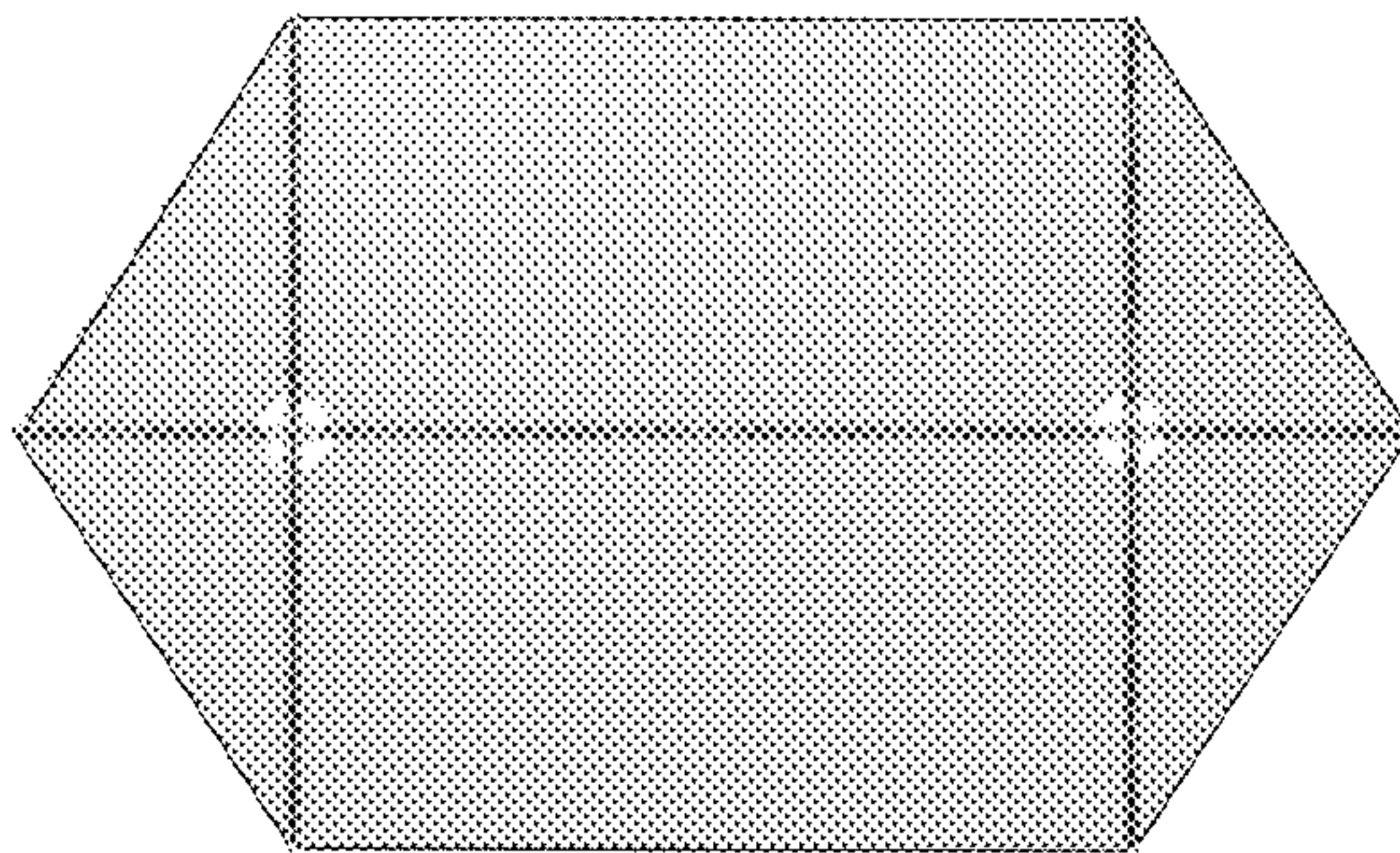


Figure 10