

US00D794708S

(12) **United States Design Patent** (10) **Patent No.:** **US D794,708 S**
Iinuma et al. (45) **Date of Patent:** **** Aug. 15, 2017**

- (54) **INK CARTRIDGE FOR PRINTER**
- (71) Applicant: **Canon Kabushiki Kaisha**, Ohta-ku, Tokyo (JP)
- (72) Inventors: **Keisuke Iinuma**, Yokohama (JP);
Tatsuo Nanjo, Kawasaki (JP);
Keiichiro Tsukuda, Yokohama (JP);
Yasuo Kotaki, Yokohama (JP)
- (73) Assignee: **Canon Kabushiki Kaisha**, Tokyo (JP)
- (**) Term: **15 Years**
- (21) Appl. No.: **29/562,583**
- (22) Filed: **Apr. 27, 2016**
- (30) **Foreign Application Priority Data**
- | | | | |
|---------------|------|-------|-------------|
| Oct. 29, 2015 | (JP) | | 2015-024011 |
| Oct. 29, 2015 | (JP) | | 2015-024012 |
- (51) **LOC (10) Cl.** **18-02**
- (52) **U.S. Cl.**
USPC **D18/56**
- (58) **Field of Classification Search**
USPC D18/12, 18, 40, 43, 44, 56, 99
CPC . B41J 15/044; B41J 32/00; B41J 17/32; B41J
33/52; B41J 33/56; B41J 35/36; G11B
23/08757
See application file for complete search history.

- (56) **References Cited**
- U.S. PATENT DOCUMENTS
- | | | | | | |
|-----------|-----|---------|--------------|-------|--------|
| 5,619,237 | A | 4/1997 | Inoue et al. | | 347/86 |
| D501,504 | S * | 2/2005 | Yamada | | 347/86 |
| D509,531 | S * | 9/2005 | Geserich | | D18/12 |
| D530,365 | S * | 10/2006 | Wakayama | | 347/86 |
| D538,335 | S * | 3/2007 | Chang | | D18/56 |
| D549,280 | S * | 8/2007 | Morino | | 347/86 |

- | | | | | | |
|----------|-----|---------|------------|-------|--------|
| D570,905 | S * | 6/2008 | Yuen | | 347/86 |
| D597,595 | S * | 8/2009 | Nip | | D18/56 |
| D602,076 | S * | 10/2009 | Saikawa | | D18/56 |
| D603,895 | S * | 11/2009 | Hattori | | D18/56 |
| D627,818 | S * | 11/2010 | Ishizawa | | 347/86 |
| D648,779 | S * | 11/2011 | Saito | | D18/43 |
| D677,721 | S * | 3/2013 | Kawate | | D18/56 |
| D681,728 | S * | 5/2013 | Takagi | | 347/86 |
| D682,929 | S * | 5/2013 | Aoki | | D18/56 |
| D692,052 | S * | 10/2013 | Ishizawa | | D18/56 |
| D741,403 | S * | 10/2015 | O'Reilly | | D18/56 |
| D759,154 | S * | 6/2016 | Williamson | | D18/43 |
| D761,353 | S * | 7/2016 | Oya | | D18/56 |
| D762,260 | S * | 7/2016 | Oya | | D18/56 |
| D762,261 | S * | 7/2016 | Takagiwa | | D18/56 |
| D767,672 | S * | 9/2016 | Nanjo | | D18/56 |
| D767,673 | S * | 9/2016 | Nanjo | | D18/56 |
| D767,674 | S * | 9/2016 | Nanjo | | D18/56 |

(Continued)

Primary Examiner — Manpreet Matharu
Assistant Examiner — Suzanne Tisdell
(74) *Attorney, Agent, or Firm* — Fitzpatrick, Cella,
Harper & Scinto

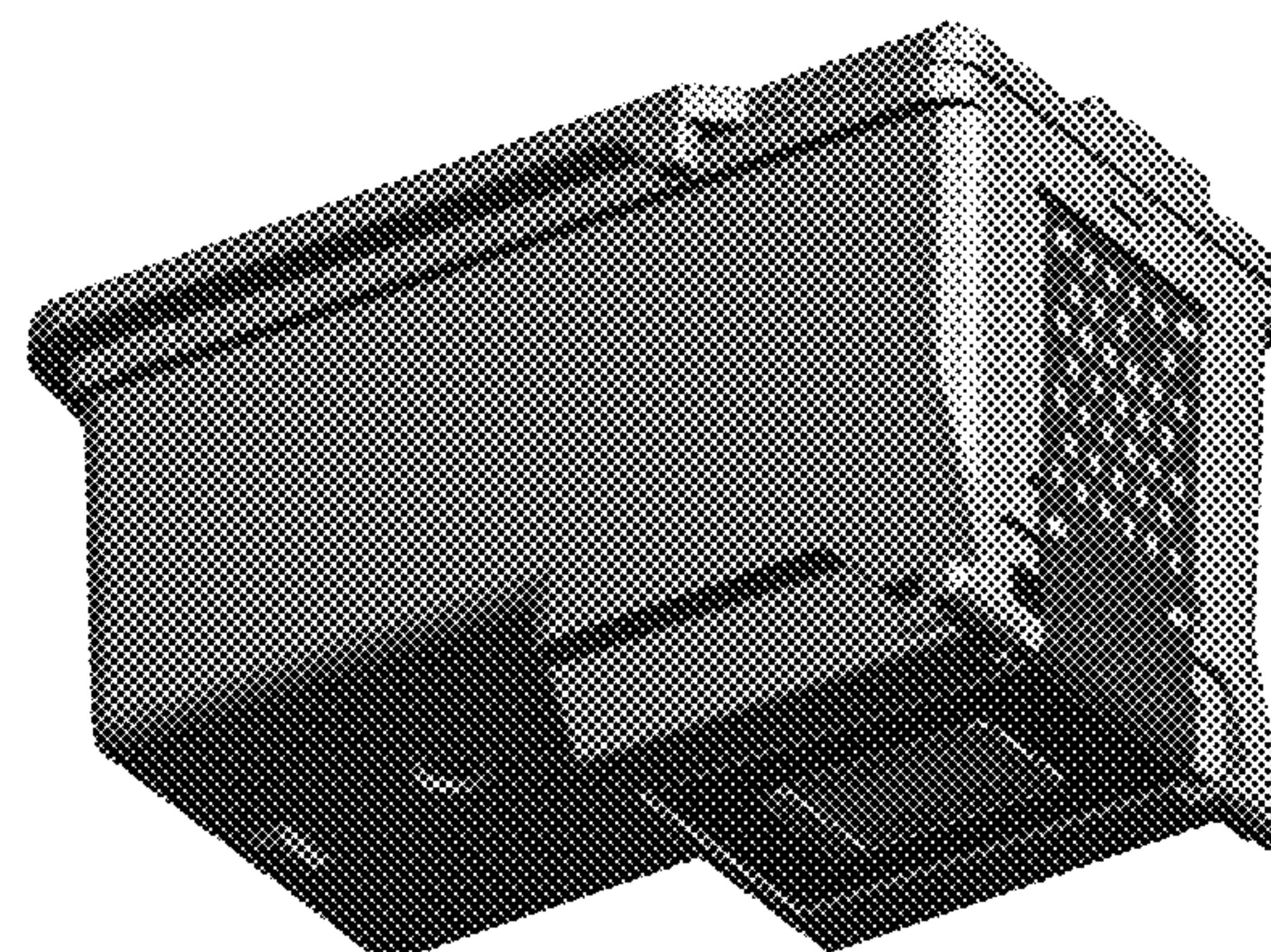
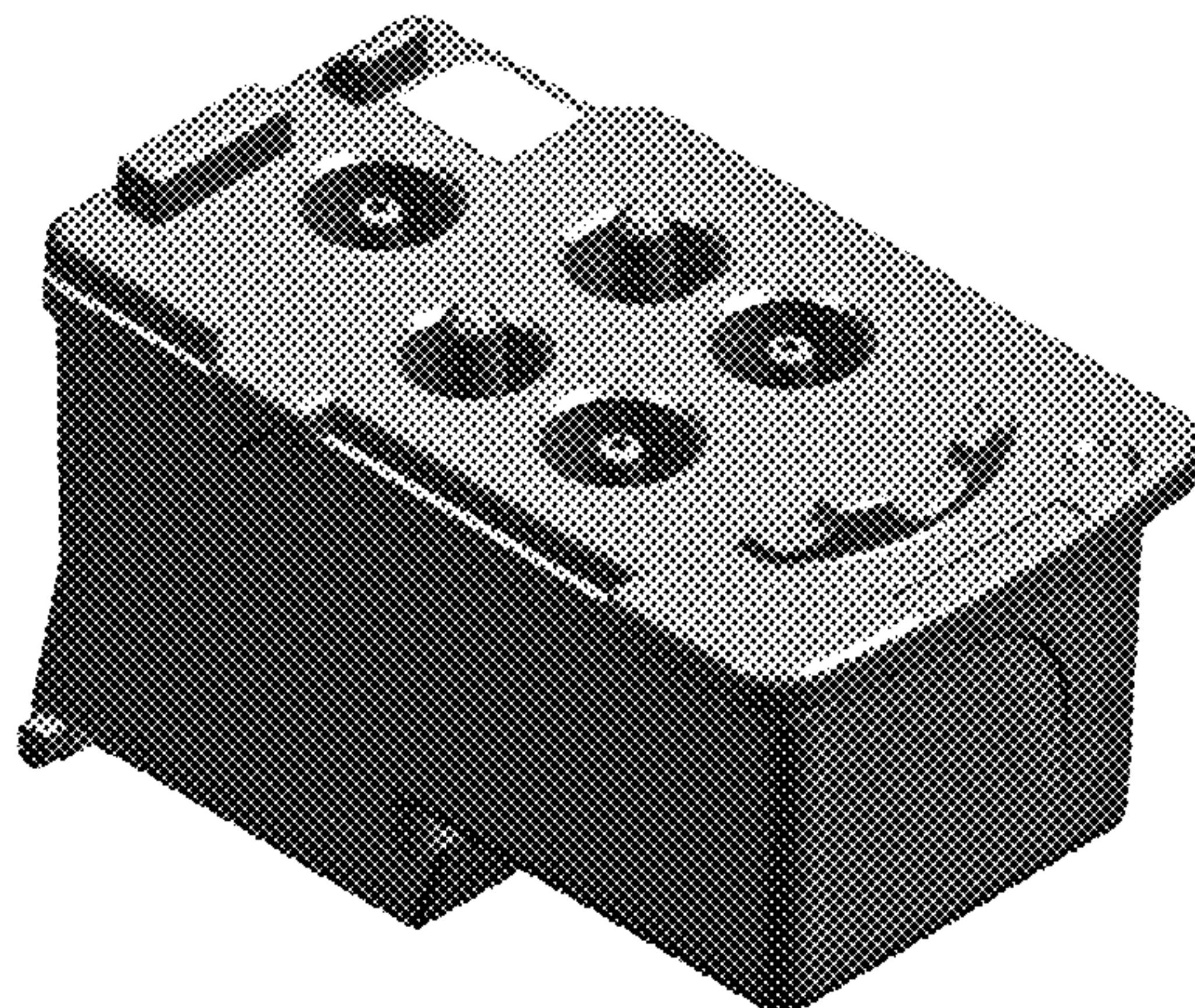
(57) **CLAIM**

The ornamental design for an ink cartridge for printer, as shown and described.

DESCRIPTION

FIG. 1 is a front view of an ink cartridge for printer showing our new design.
FIG. 2 is a rear view thereof;
FIG. 3 is a top plan view thereof;
FIG. 4 is a bottom plan view thereof;
FIG. 5 is a left side view thereof;
FIG. 6 is a right side view thereof;
FIG. 7 is a top perspective view thereof; and,
FIG. 8 is a bottom perspective view thereof.
The contrast in shading present in the drawings depicts a contrast in shading in the design.

1 Claim, 4 Drawing Sheets



(56)

References Cited

U.S. PATENT DOCUMENTS

2007/0212151 A1* 9/2007 Innocenti B41J 3/4075
400/244
2008/0151425 A1* 6/2008 Vanderheyden . G11B 23/08728
360/132
2008/0213023 A1* 9/2008 Koizumi B41M 5/38221
400/208
2015/0375514 A1 12/2015 Koshikawa et al. B41J 2 17523

* cited by examiner

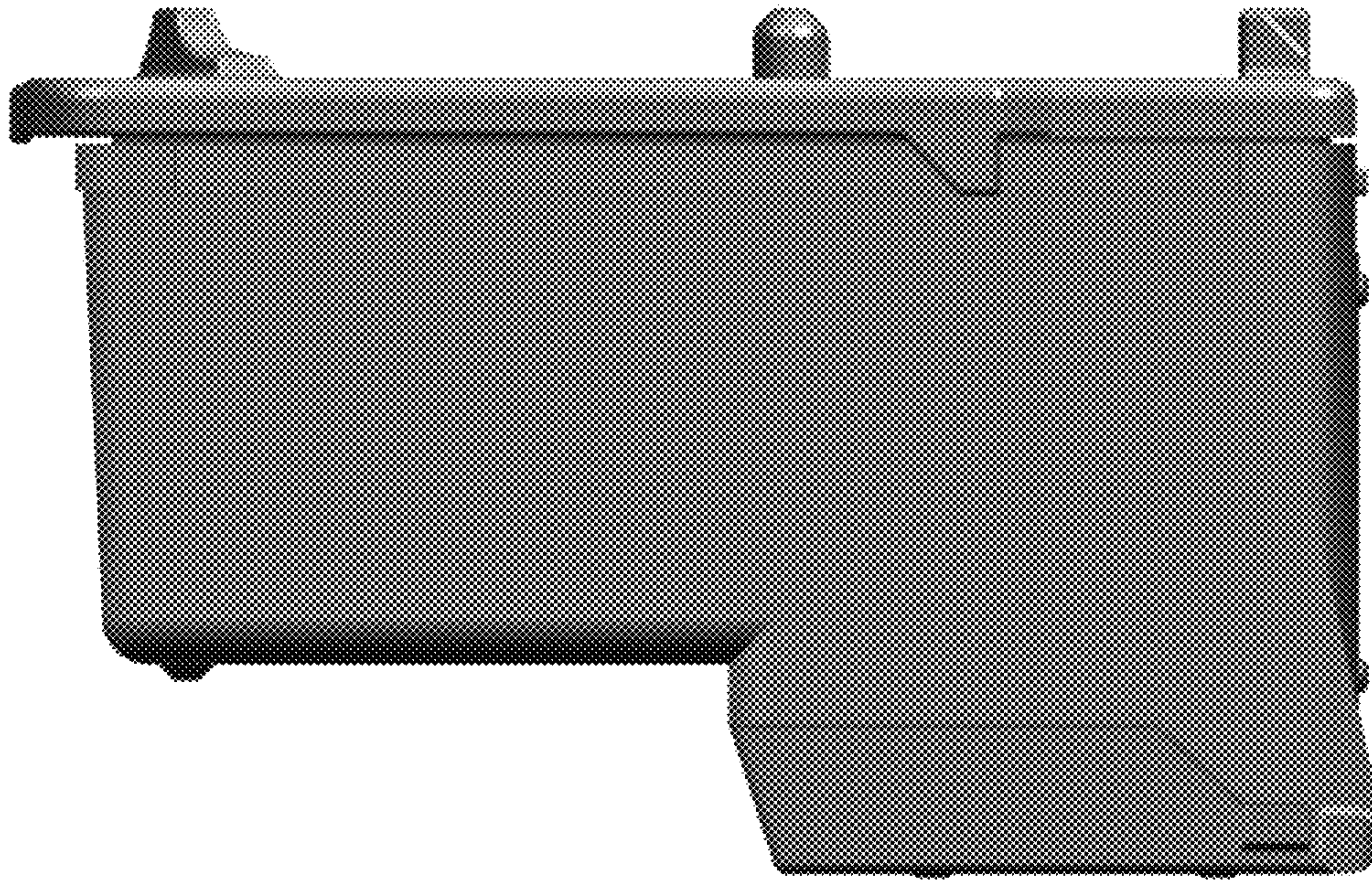


FIG. 1

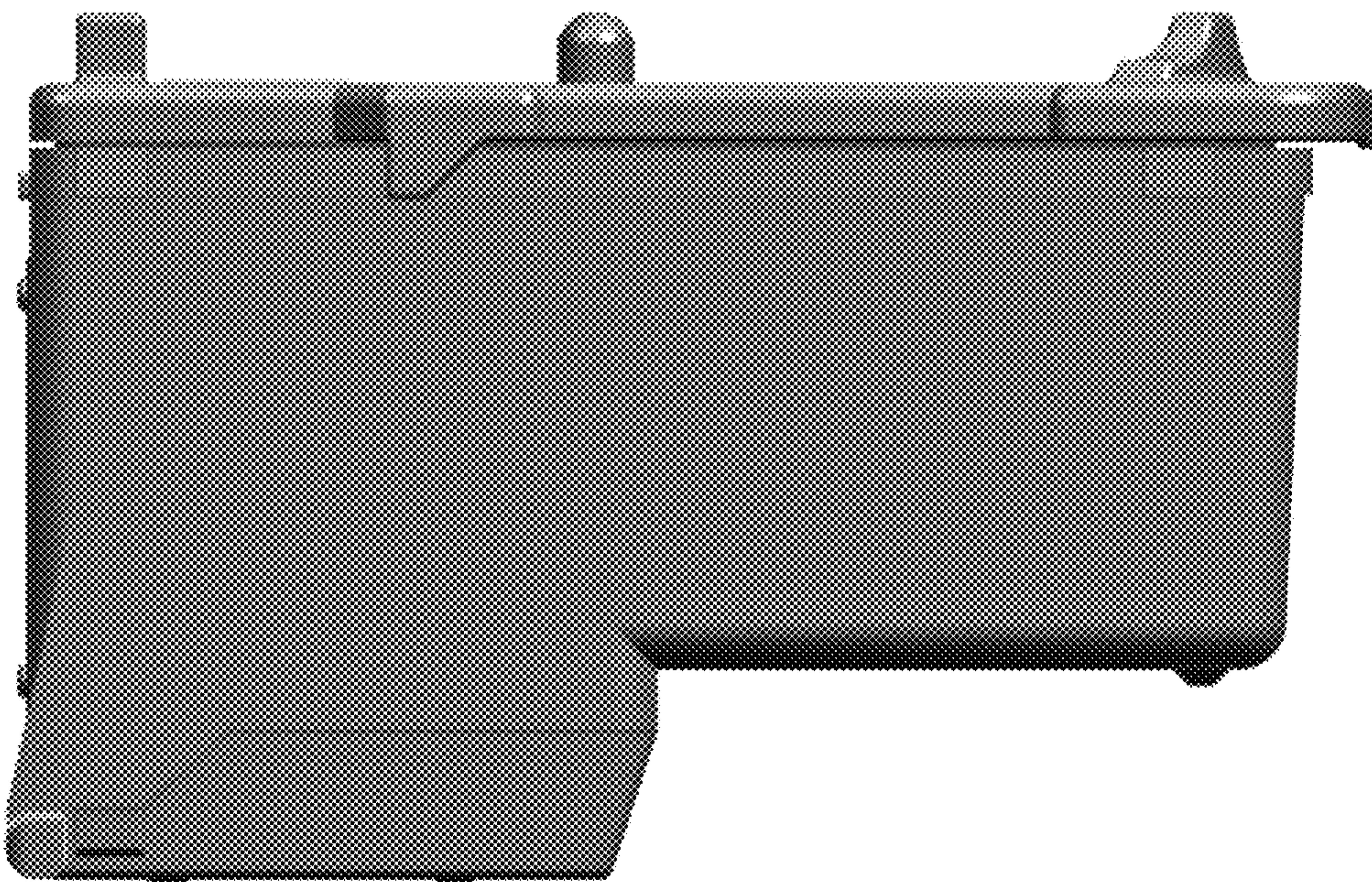


FIG. 2

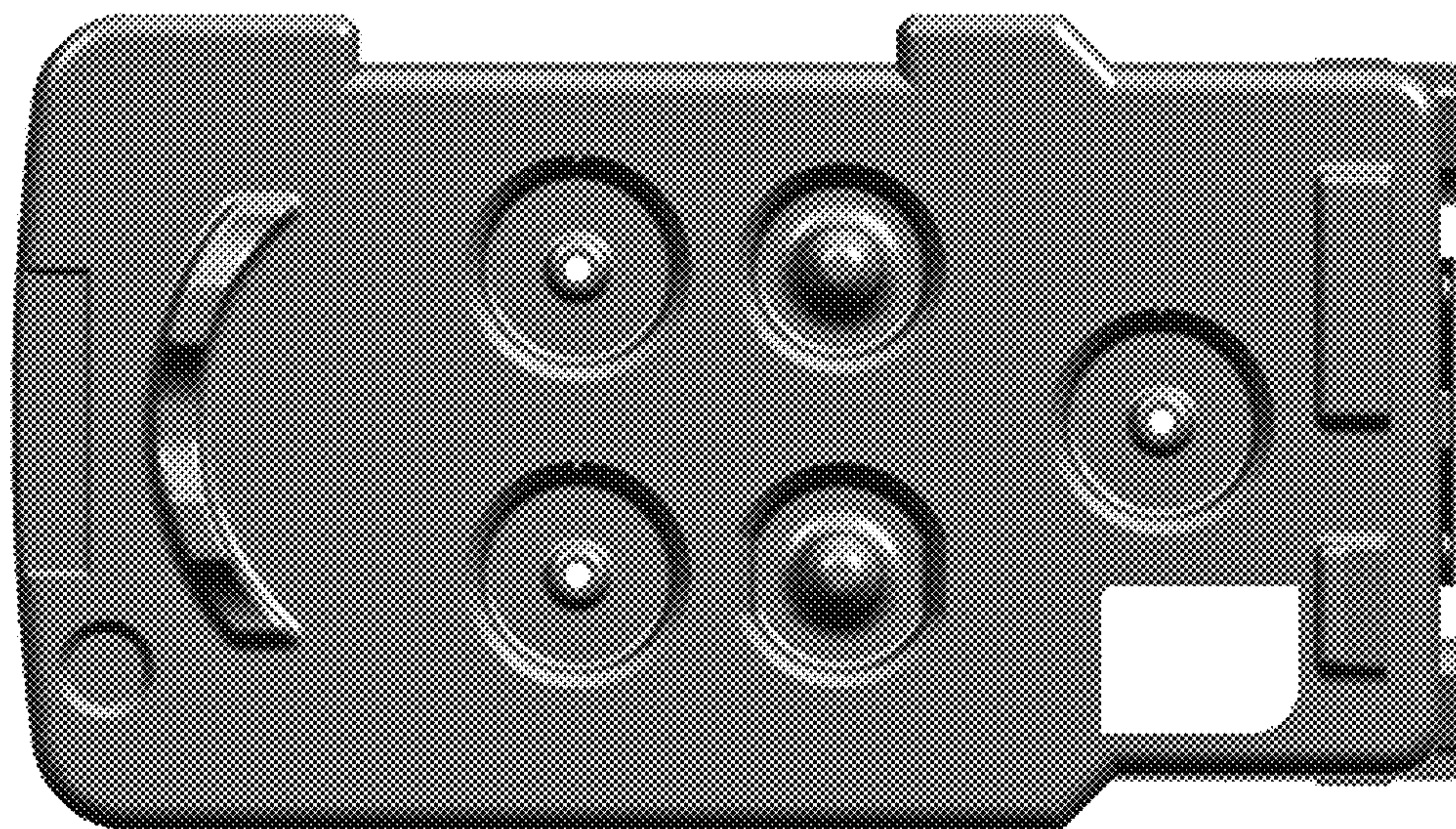


FIG. 3



FIG. 4

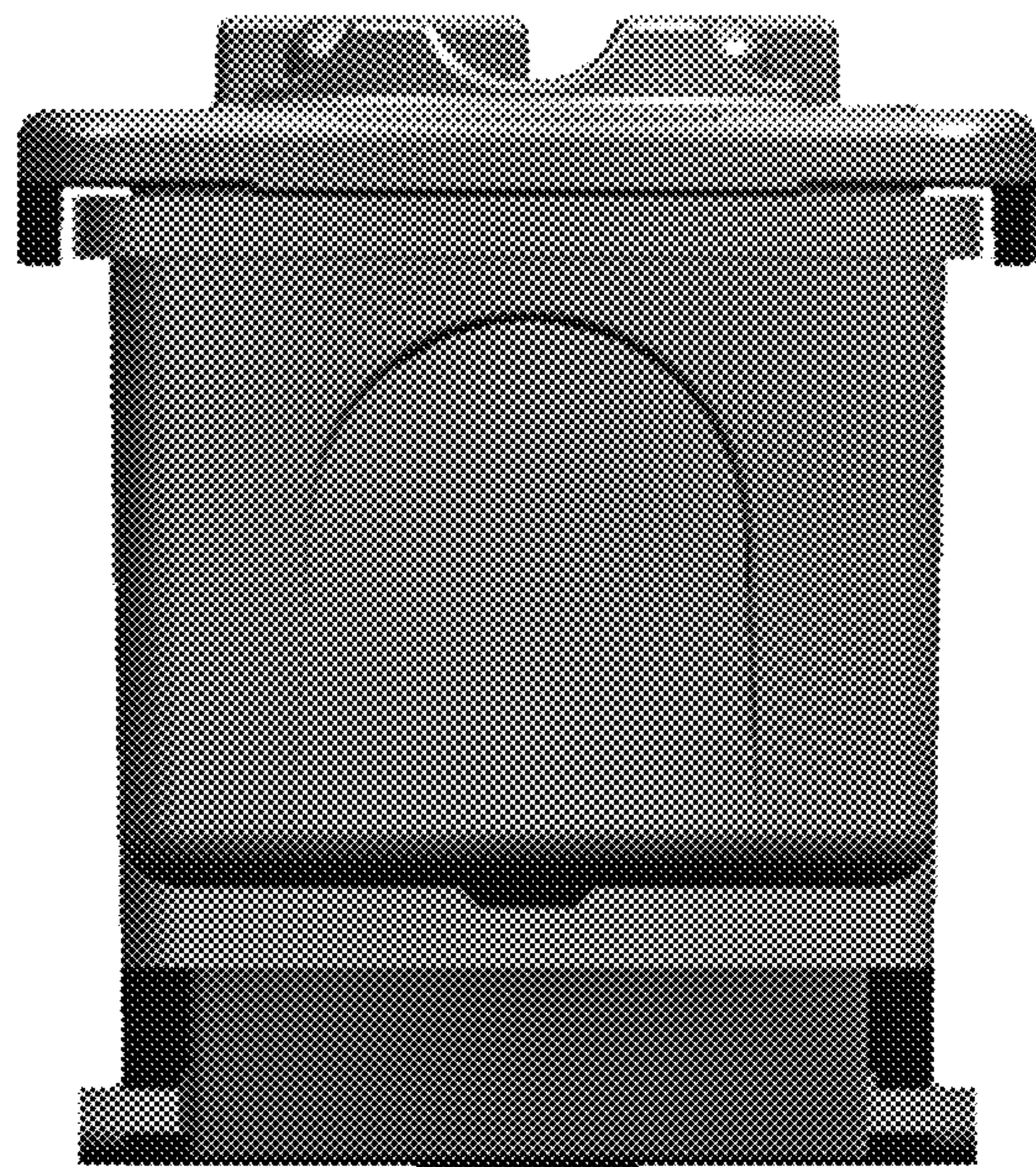


FIG. 5

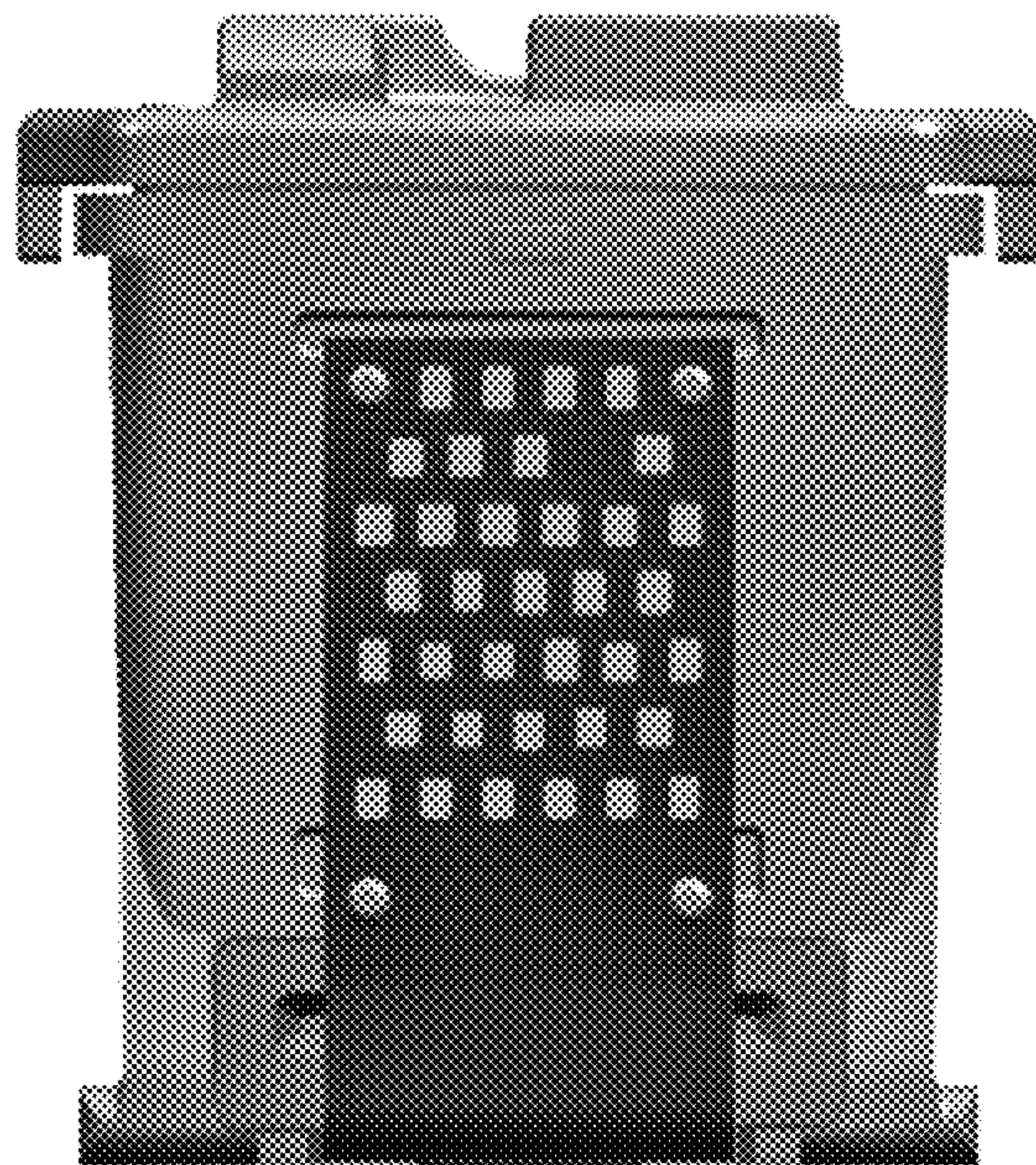


FIG. 6

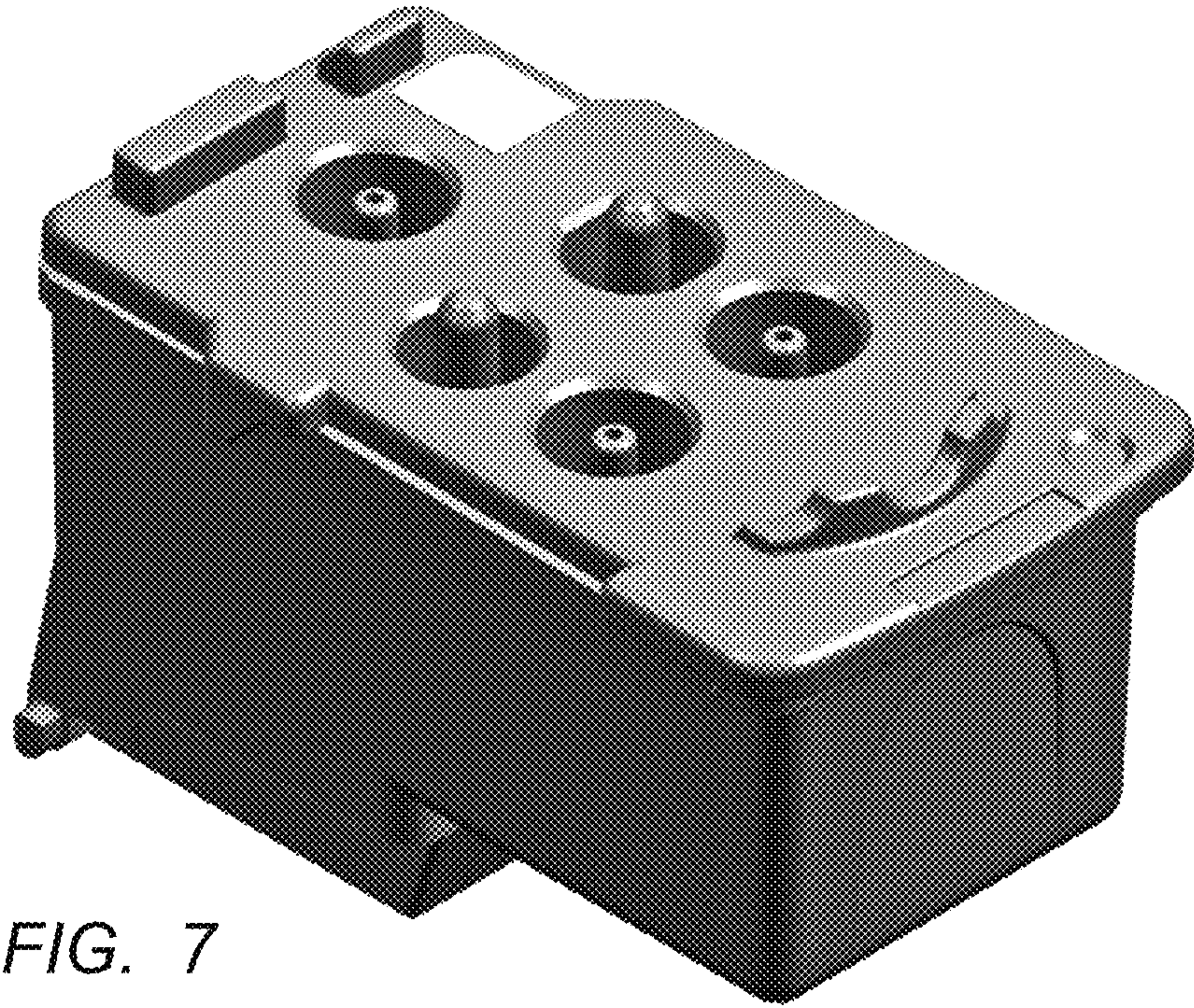


FIG. 7

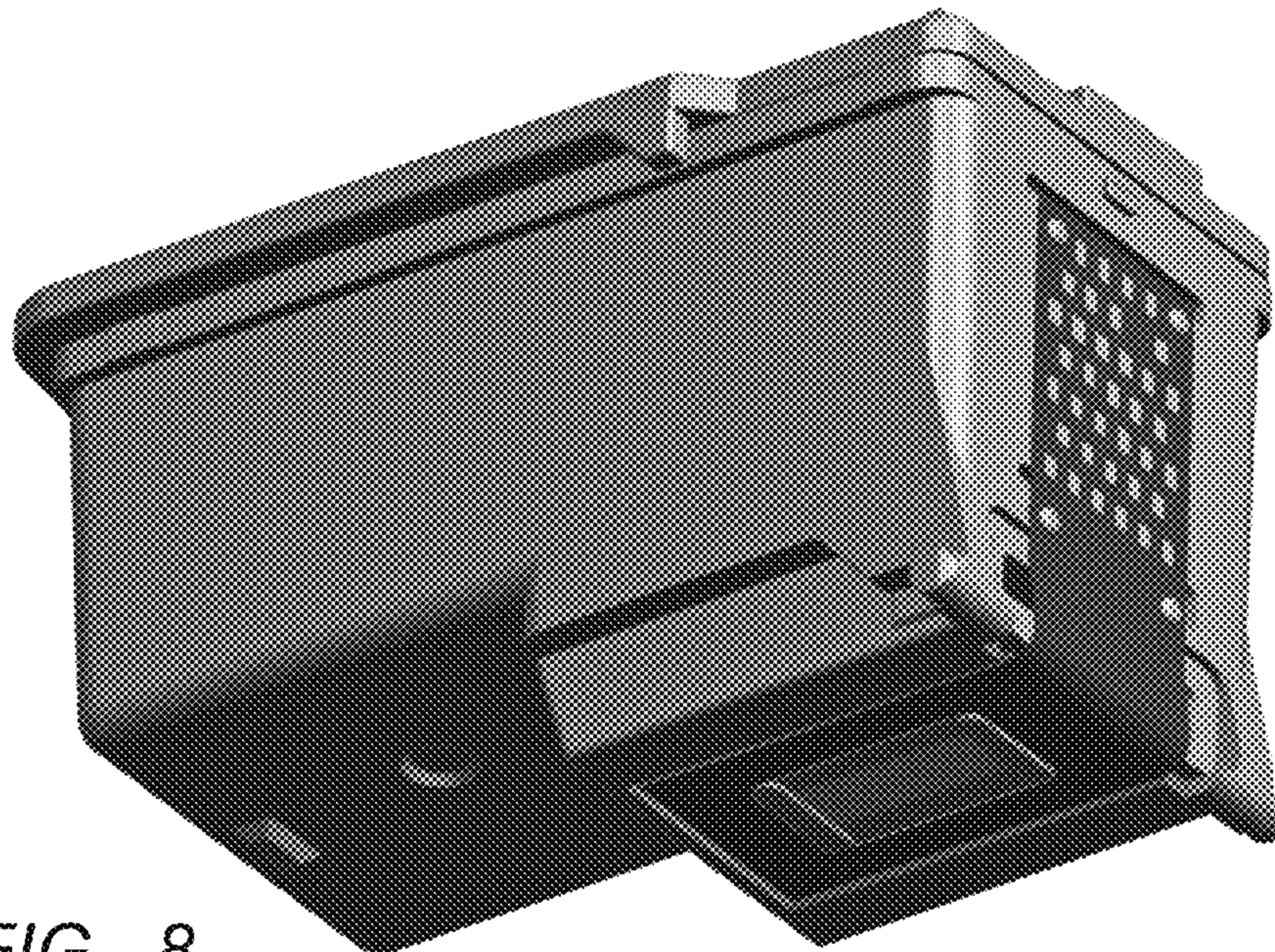


FIG. 8