



US00D794707S

(12) **United States Design Patent**
Nanno et al.

(10) **Patent No.:** **US D794,707 S**

(45) **Date of Patent:** **** Aug. 15, 2017**

(54) **PRINTER**

(71) Applicant: **BROTHER INDUSTRIES, LTD.**,
Nagoya-shi, Aichi-ken (JP)

(72) Inventors: **Tomoyuki Nanno**, Nagoya (JP);
Keiichiro Egami, Nagoya (JP); **Jiro Suzuki**, Kariya (JP)

(73) Assignee: **BROTHER INDUSTRIES, LTD.**,
Nagoya (JP)

(**) Term: **15 Years**

(21) Appl. No.: **29/542,015**

(22) Filed: **Oct. 9, 2015**

(30) **Foreign Application Priority Data**

Apr. 10, 2015 (JP) 2015-8189

(51) **LOC (10) Cl.** **14-02**

(52) **U.S. Cl.**
USPC **D18/50**

(58) **Field of Classification Search**
USPC D18/36-39, 50, 54, 54.1, 55;
D14/420-425, 462-470
CPC . B41J 3/4075; B41J 11/58; B41J 15/12; B41J
15/42; B41J 17/00; B41J 29/08; B41J
29/02

See application file for complete search history.

(56) **References Cited**

U.S. PATENT DOCUMENTS

D216,016 S * 11/1969 Waligorski D14/421
D639,850 S * 6/2011 Iwai D18/50

D643,464 S * 8/2011 Sato D18/55
8,013,882 B2 * 9/2011 Sato B41J 29/02
347/108
D647,133 S * 10/2011 Sato D18/55
D665,840 S * 8/2012 Tani D18/50
D697,550 S 1/2014 Nanno et al.
D698,862 S * 2/2014 Nanno D18/55
D758,485 S * 6/2016 Nakagawa D18/55
D758,486 S * 6/2016 Nakagawa D18/55

* cited by examiner

Primary Examiner — Cathy Anne MacCormac

(74) *Attorney, Agent, or Firm* — Oliff PLC

(57) **CLAIM**

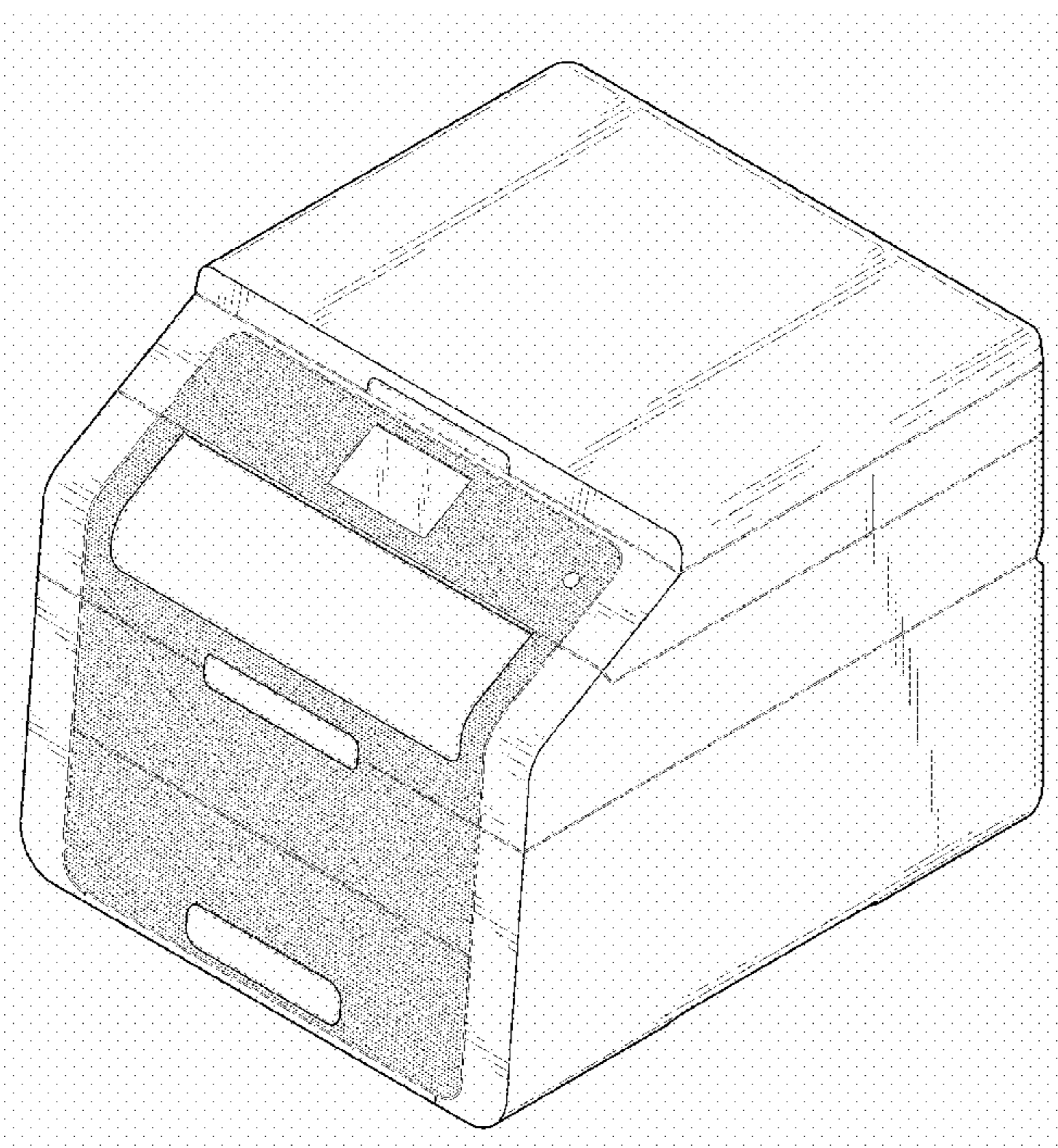
The ornamental design for a printer, as shown and described.

DESCRIPTION

FIG. 1 is a perspective view of a printer;
FIG. 2 is a front view thereof;
FIG. 3 is a top view thereof;
FIG. 4 is a right-side view thereof;
FIG. 5 is a left-side view thereof;
FIG. 6 is a rear view thereof; and,
FIG. 7 is a bottom view thereof.

The broken lines depict environmental subject matter only and form no part of the claimed design. The stippling shows a contrast in appearance. The stippled shading is part of the claimed design.

1 Claim, 7 Drawing Sheets



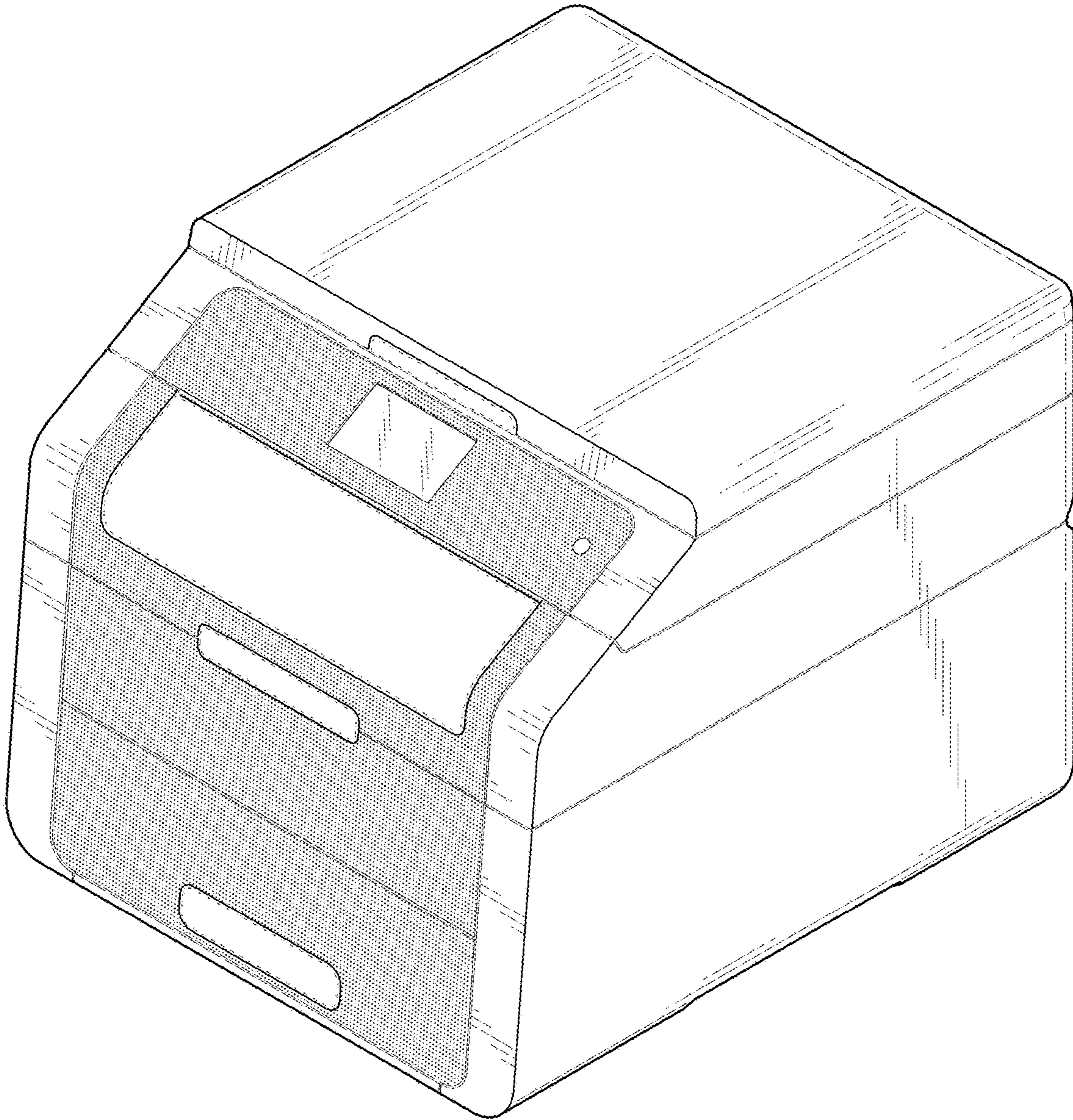


FIG. 1

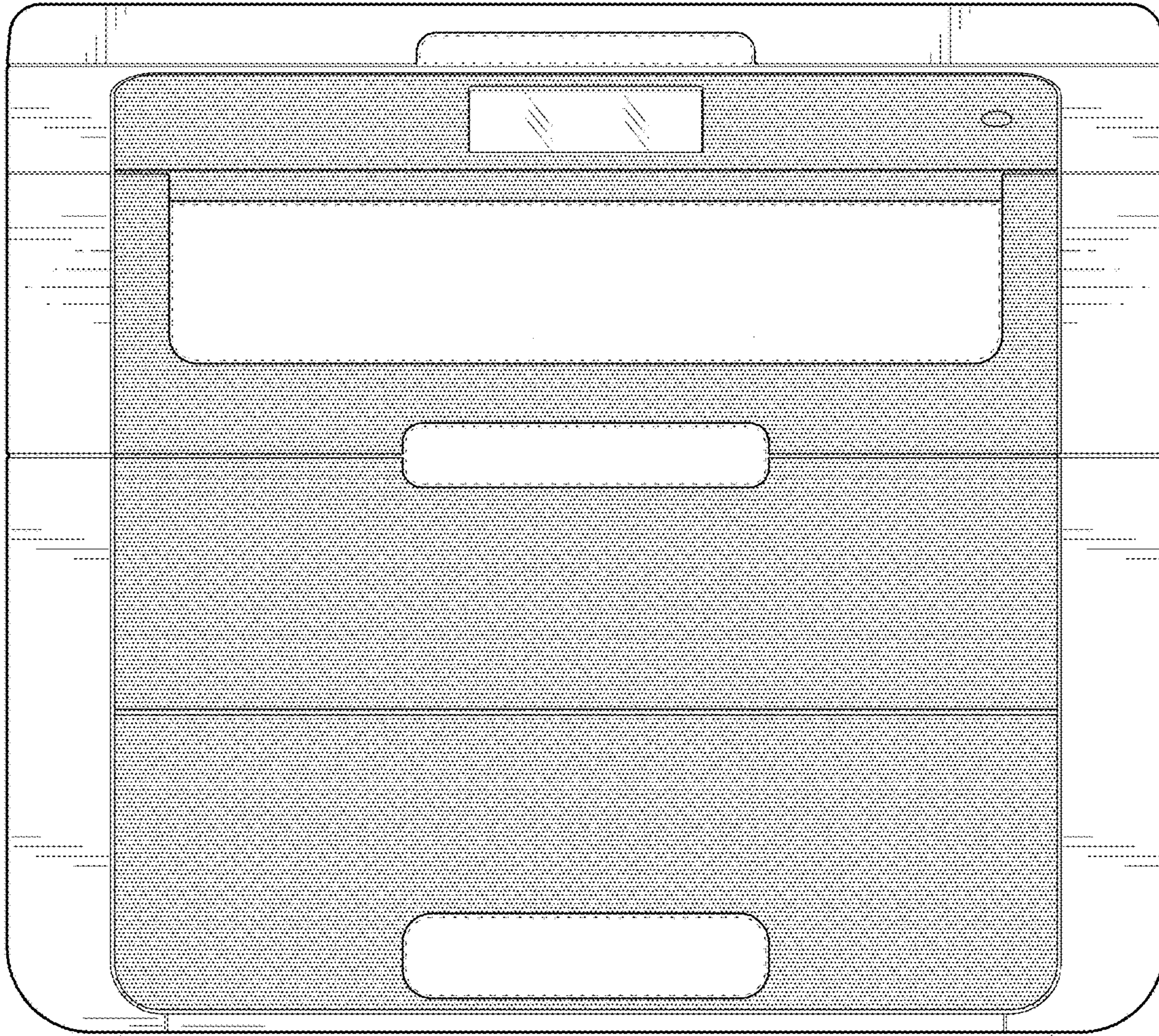


FIG. 2

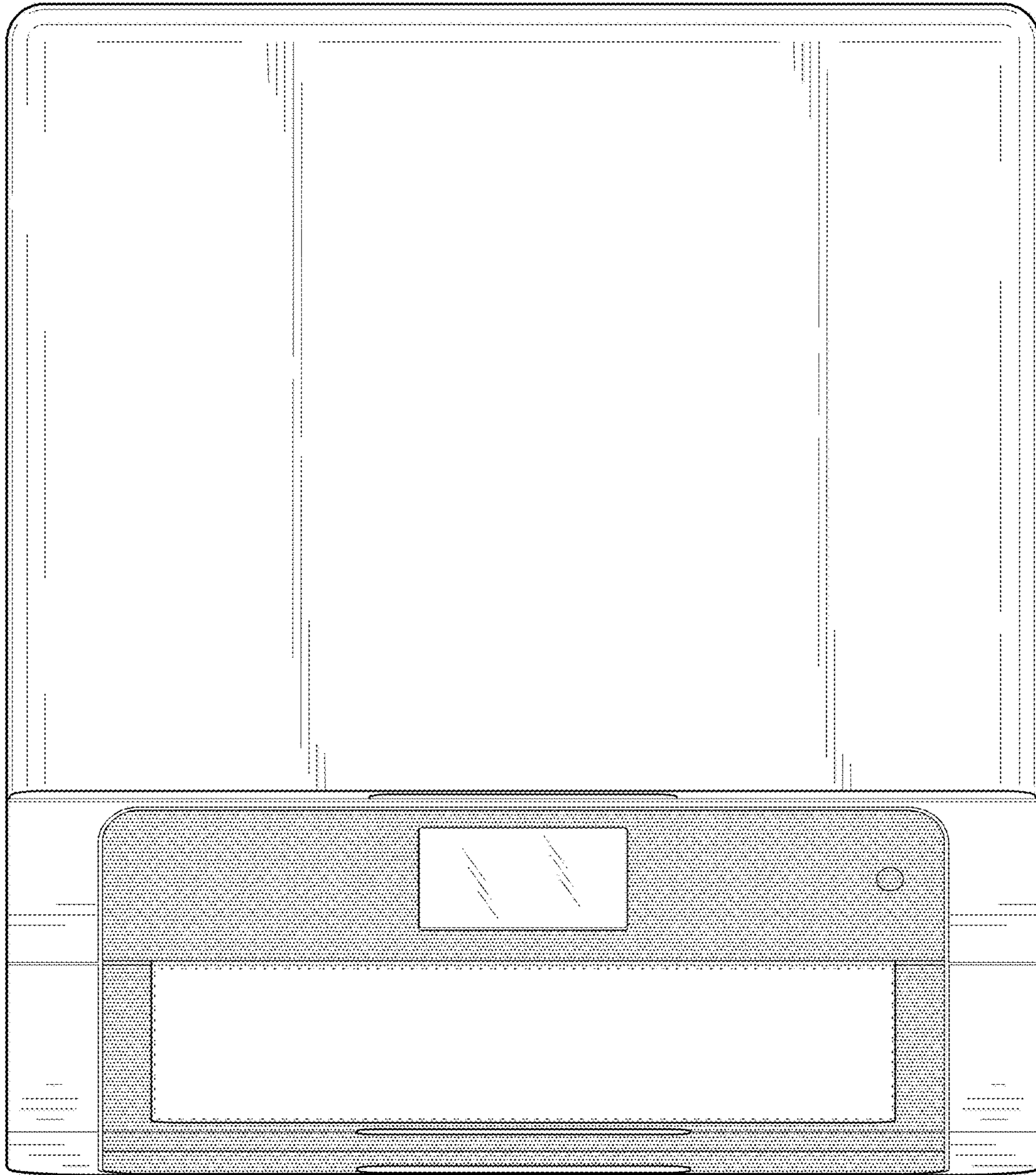


FIG. 3

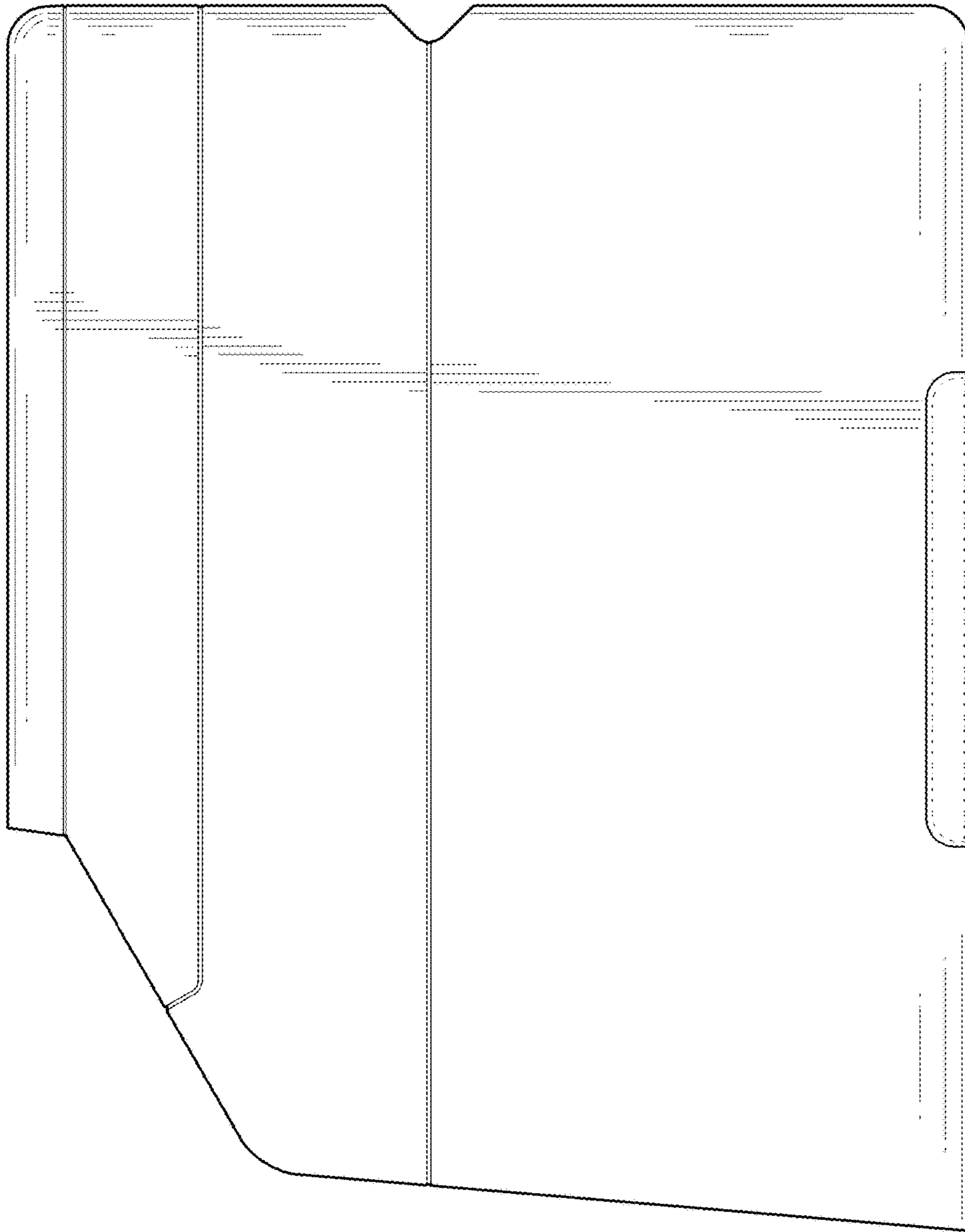


FIG. 4

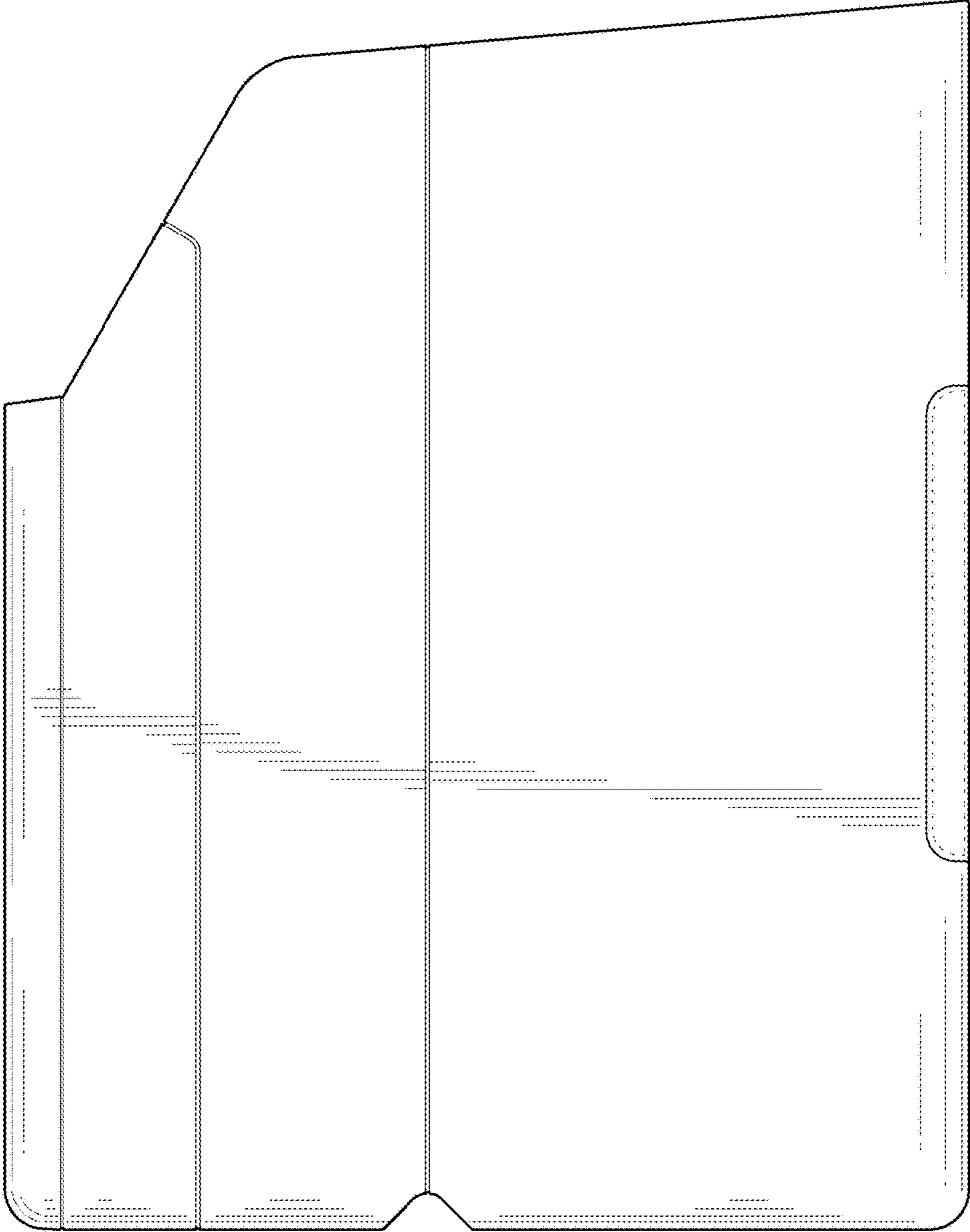


FIG. 5

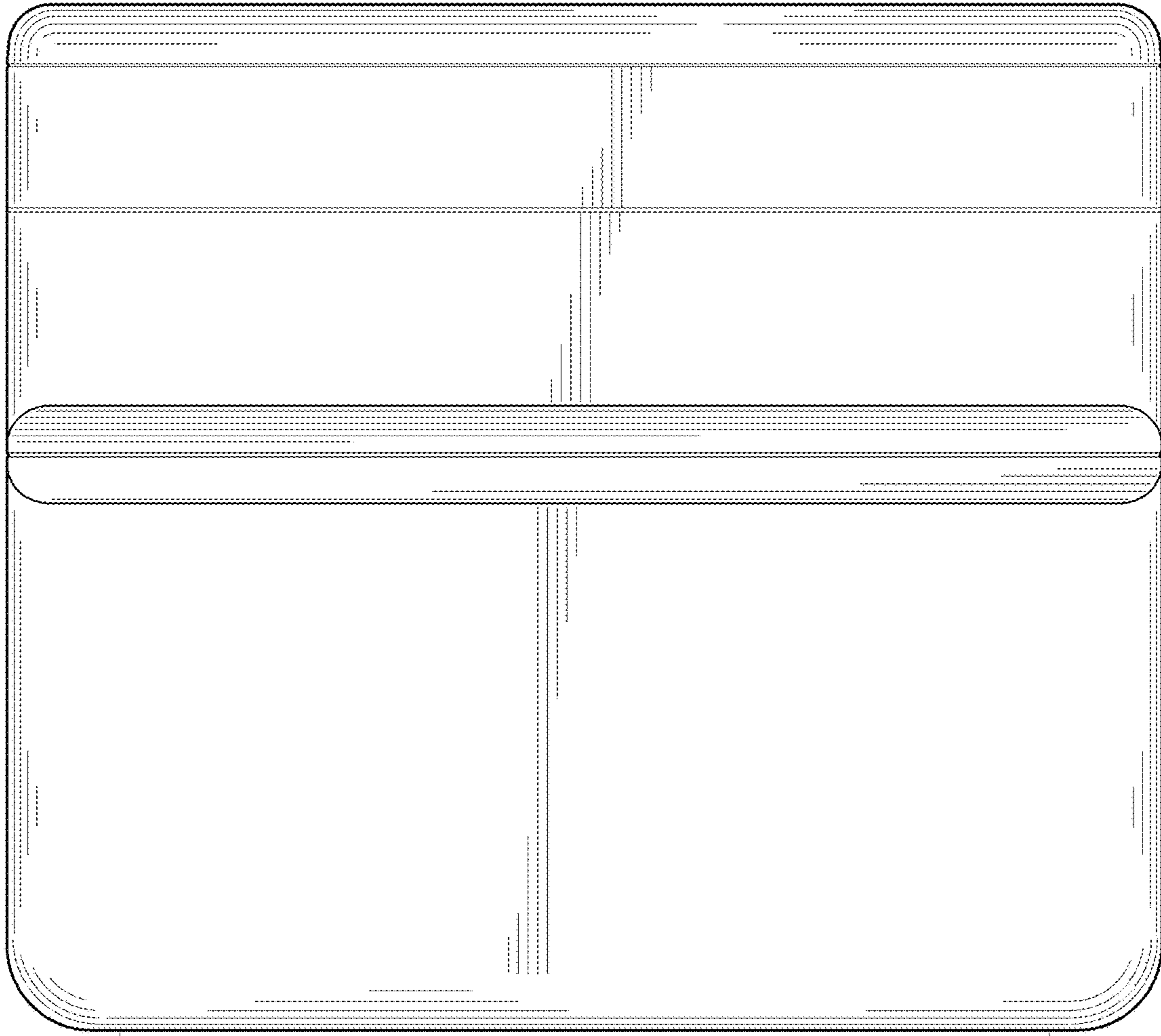


FIG. 6

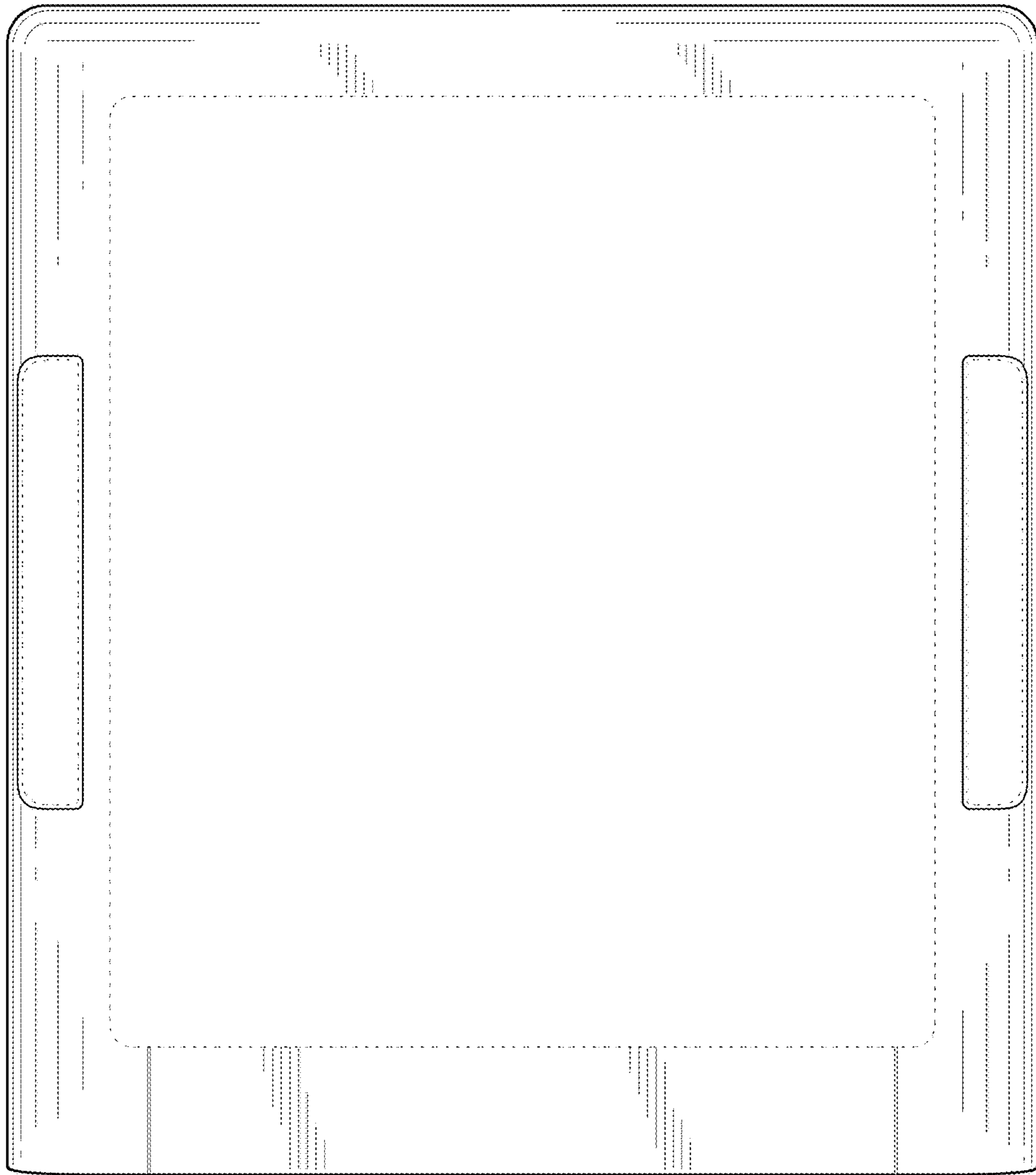


FIG. 7