



US00D794701S

(12) **United States Design Patent** (10) **Patent No.:** **US D794,701 S**  
**Lussier et al.** (45) **Date of Patent:** **\*\* Aug. 15, 2017**

(54) **GOGGLES**

(71) Applicant: **Revision Military S.a.r.L.**,  
Luxembourg (LU)  
(72) Inventors: **Pierre-Luc Lussier**, Longueuil (CA);  
**Zachary White**, South Burlington, VT  
(US)  
(73) Assignee: **Revision Military S.a.r.L.**,  
Luxembourg (LU)  
(\*\*) Term: **15 Years**

(21) Appl. No.: **29/551,036**  
(22) Filed: **Jan. 8, 2016**  
(51) **LOC (10) Cl.** ..... **16-06**  
(52) **U.S. Cl.**  
USPC ..... **D16/330**  
(58) **Field of Classification Search**  
USPC ..... D16/101, 300-342, 900; D29/109-110;  
D21/483, 659-661; D14/372; 351/41,  
351/44, 45-48, 51-52, 62, 158, 92,  
351/103-123, 140-153, 63, 59; 2/13, 15,  
2/426-432, 447-449, 441, 434-437  
CPC ..... G02C 2200/08; G02C 1/06; G02C 5/14;  
G02C 11/02; G02C 11/04; G02C 5/16;  
G02C 2200/22; G02C 5/146; G02C  
5/2254; G02C 5/008; G01C 5/16; A61M  
2021/0044; A63B 33/002  
See application file for complete search history.

(56) **References Cited**

**U.S. PATENT DOCUMENTS**

D336,097 S *	6/1993	Wiedner	.....	D16/324
D510,378 S *	10/2005	Dondero	.....	D16/312
D536,018 S *	1/2007	Saderholm	.....	D16/311
D537,100 S *	2/2007	Moritz	.....	D16/312
D538,834 S *	3/2007	Mangum	.....	D16/312
D595,331 S *	6/2009	Mentasti	.....	D16/312
D610,602 S *	2/2010	Yun	.....	D16/312

(Continued)

**OTHER PUBLICATIONS**

Snowhawk Cold Weather Goggle System, announced unknown, [online], [site visited Mar. 28, 2017]. Available from Internet, <URL: <https://www.revisionmilitary.com/product/snowhawk-extreme-cold-weather-goggle-system/>>.\*

*Primary Examiner* — Eric Goodman  
*Assistant Examiner* — Sanjeev Paul  
(74) *Attorney, Agent, or Firm* — Wolf, Greenfield & Sacks, P.C.

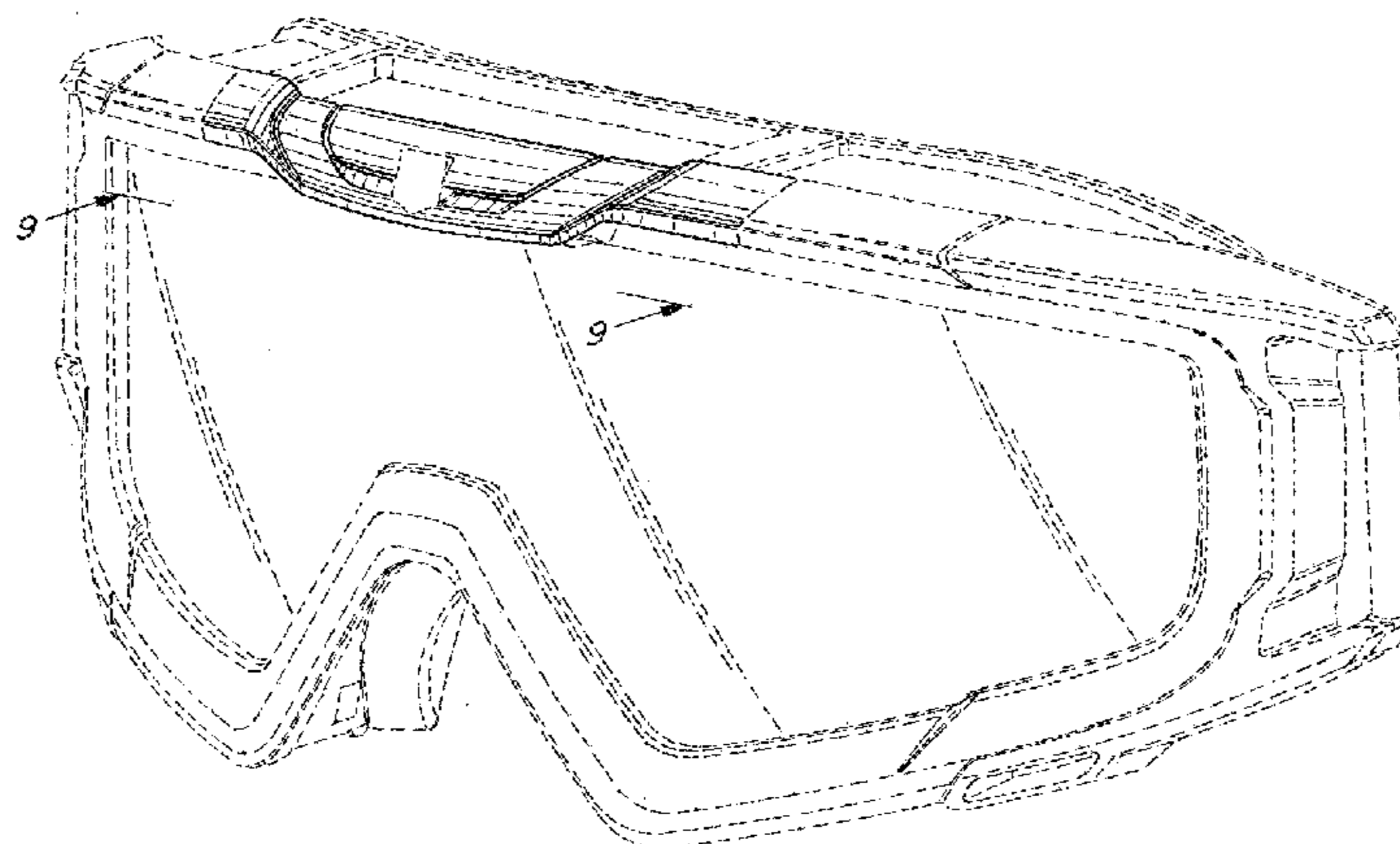
(57) **CLAIM**

The ornamental design for goggles, as shown and described.

**DESCRIPTION**

FIG. 1 is a top, front, right side perspective view of goggles showing our new design;  
FIG. 2 is a front elevational view thereof;  
FIG. 3 is a rear elevational view thereof;  
FIG. 4 is a left side elevational view thereof;  
FIG. 5 is a right side elevational view thereof;  
FIG. 6 is a top plan view thereof;  
FIG. 7 is a bottom plan view thereof;  
FIG. 8 is an enlarged detail view of a portion of FIG. 1;  
FIG. 9 is an enlarged detail front elevational view as seen along line 9-9 of FIG. 1;  
FIG. 10 is an enlarged detail view of a portion of FIG. 6;  
FIG. 11 is an enlarged detail view of a portion of FIG. 4;  
FIG. 12 is an enlarged detail view of a portion of FIG. 5; and,  
FIG. 13 is an enlarged detail bottom, front, right side perspective view of a portion of the goggles.  
The dot-dash lines shown in the figures define boundaries of the claimed design and form no part thereof. All other broken lines shown in the figures represent unclaimed portions of the goggles and form no part of the claimed design.

**1 Claim, 9 Drawing Sheets**



(56)

References Cited

U.S. PATENT DOCUMENTS

D616,483 S *	5/2010	Moritz	.....	D16/312	D756,445 S *	5/2016	Blanchard	.....	D16/312
D616,914 S *	6/2010	Moritz	.....	D16/312	D760,831 S *	7/2016	Emilo	.....	D16/312
D616,915 S *	6/2010	Silveria	.....	D16/312	D761,344 S *	7/2016	Chen	.....	D16/312
D620,040 S *	7/2010	Daems	.....	D16/313	D765,758 S *	9/2016	Li	.....	D16/312
D620,969 S *	8/2010	Cyr	.....	D16/312	D765,759 S *	9/2016	Li	.....	D16/312
D629,034 S *	12/2010	McNeal	.....	A61F 9/025	D774,123 S *	12/2016	Chae	.....	D16/313
				D16/312	D774,588 S *	12/2016	Li	.....	D16/312
D640,724 S *	6/2011	Goodman	.....	D16/312	D777,826 S *	1/2017	Shin	.....	D16/312
D649,178 S *	11/2011	Moritz	.....	D16/312	2007/0033716 A1 *	2/2007	Dondero	.....	A61F 9/029
D659,742 S *	5/2012	Chen	.....	D16/312					2/426
D669,113 S *	10/2012	Sandor	.....	D16/309	2009/0151057 A1 *	6/2009	Lebel	.....	A61F 9/029
D678,932 S *	3/2013	Moritz	.....	D16/312					2/452
D687,479 S *	8/2013	Moritz	.....	D16/312	2009/0313746 A1 *	12/2009	Wang	.....	A61F 9/025
D688,296 S *	8/2013	Pearson	.....	D16/312					2/431
D694,806 S *	12/2013	Mage	.....	D16/312	2011/0083256 A1 *	4/2011	Wang-Lee	.....	A61F 9/025
D695,335 S *	12/2013	Goodman	.....	D16/312					2/434
D704,248 S *	5/2014	DiChiara	.....	D16/309	2012/0240315 A1 *	9/2012	Chen	.....	A61F 9/025
D723,094 S *	2/2015	Chen	.....	D16/312					2/431
D727,398 S *	4/2015	Blanchard	.....	D16/312	2014/0059747 A1 *	3/2014	Belbey	.....	A61F 9/028
D735,795 S *	8/2015	McGinn	.....	D16/320					2/431
D736,303 S *	8/2015	Yu	.....	D16/309	2014/0208488 A1 *	7/2014	Pengfei	.....	A61F 9/029
D747,758 S *	1/2016	Lee	.....	D16/312					2/431
					2015/0320600 A1 *	11/2015	Blanchard	.....	A61F 9/025
									2/431

\* cited by examiner

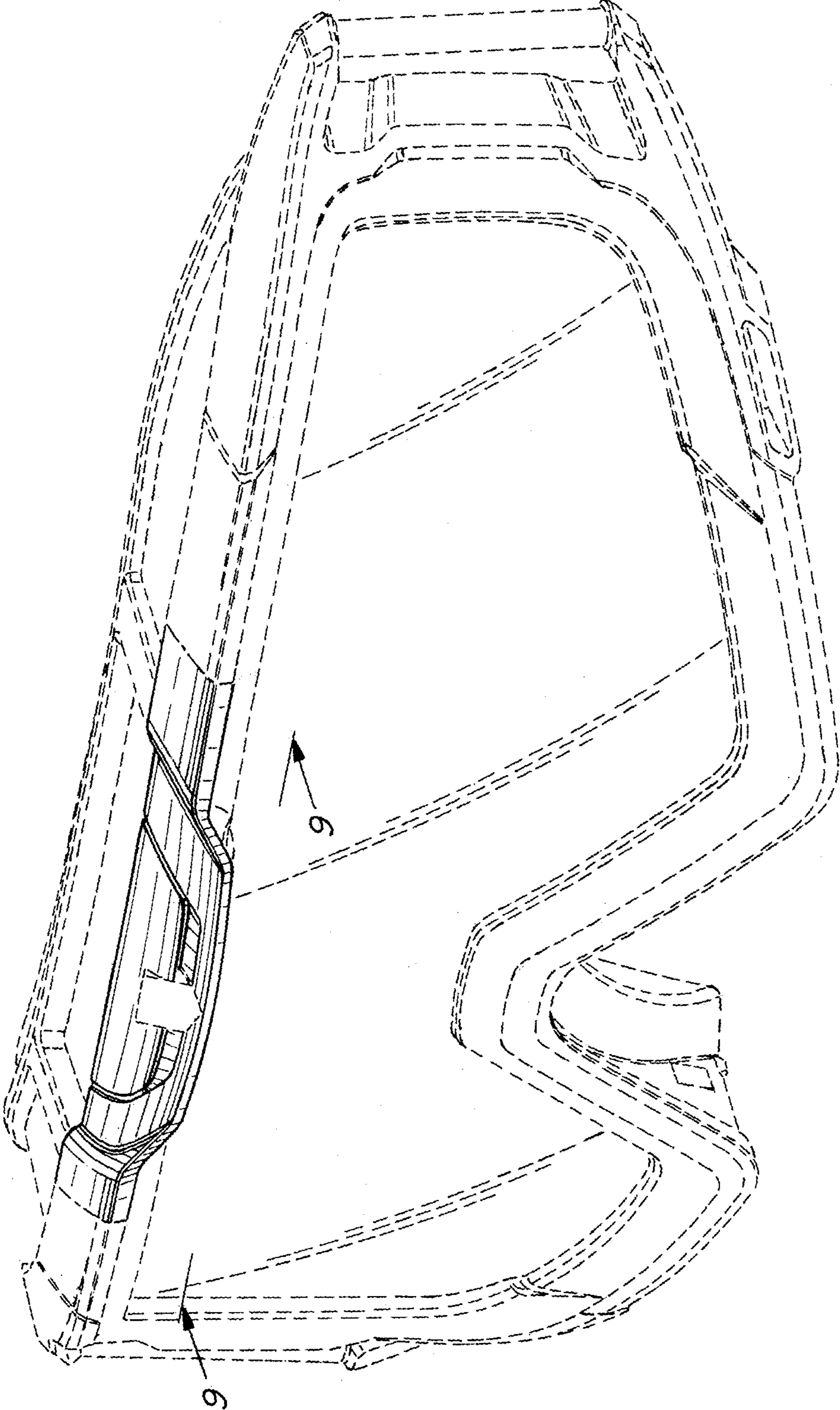
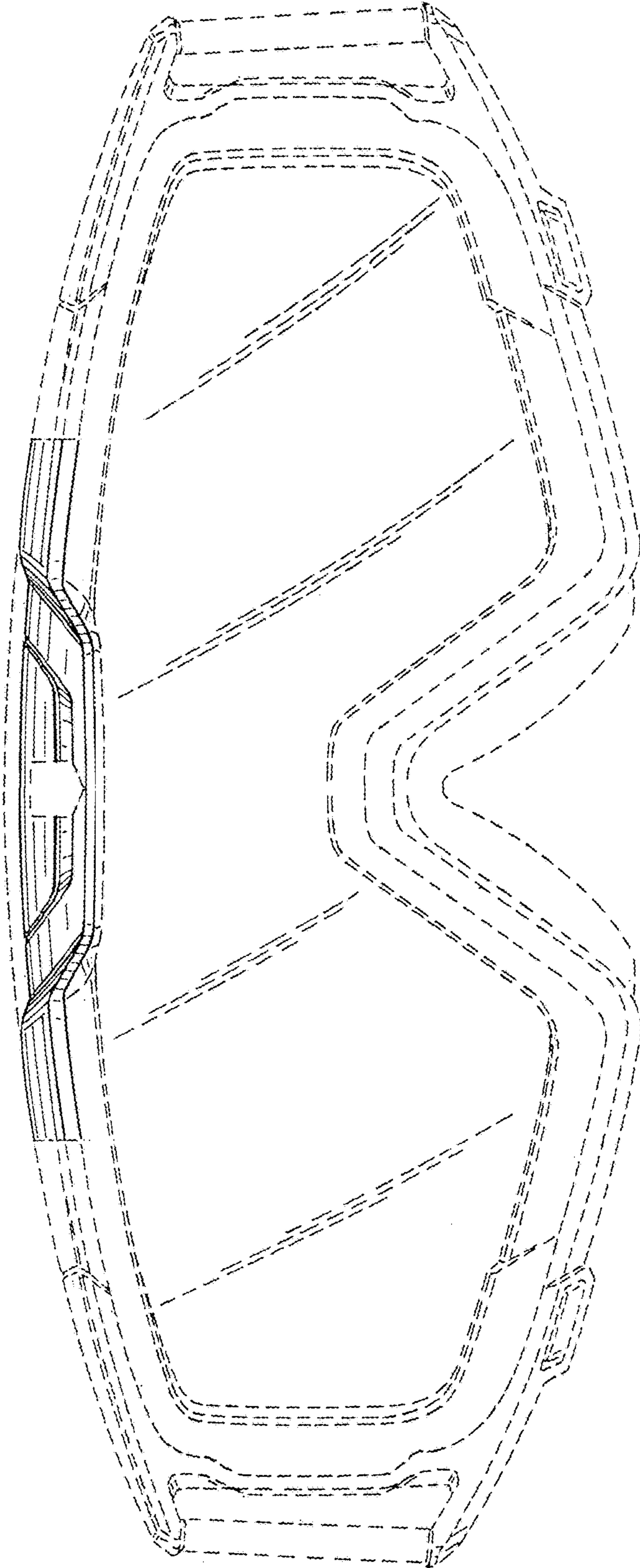


Fig. 1



*Fig. 2*

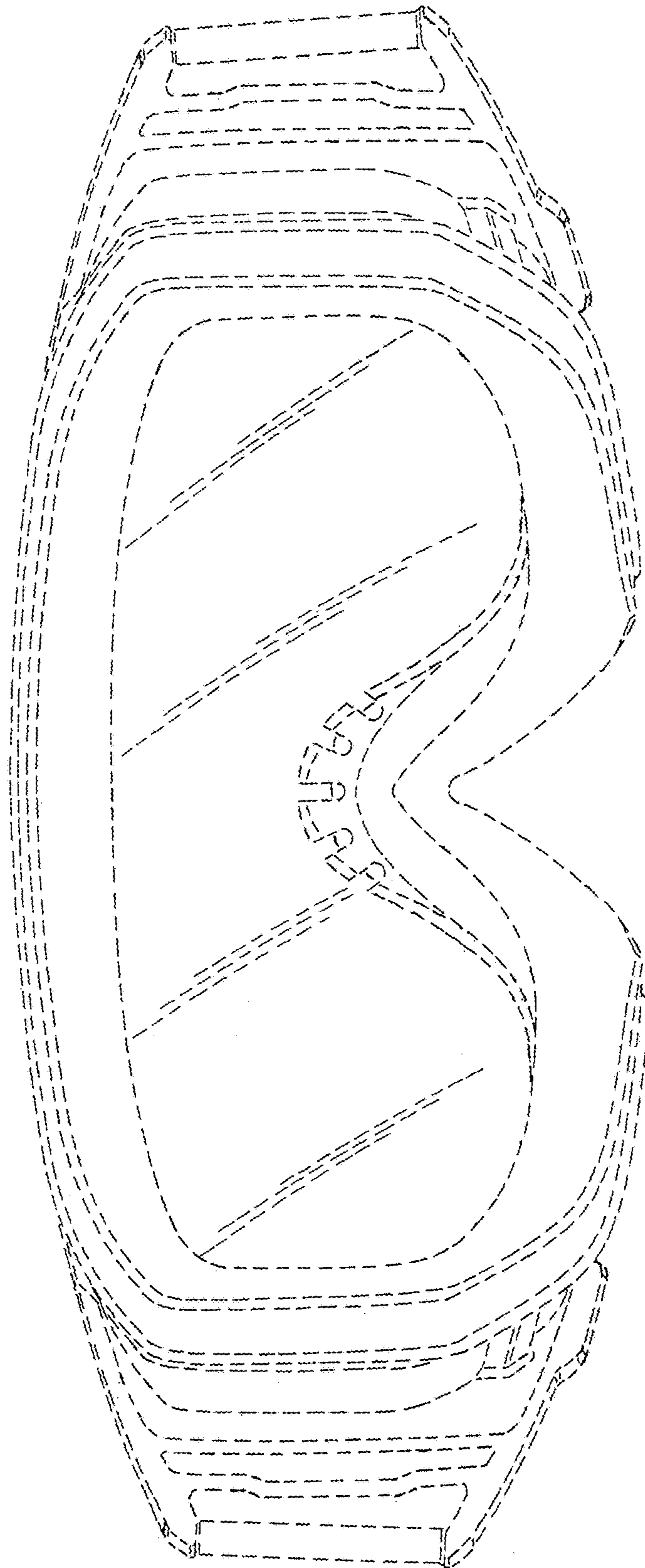
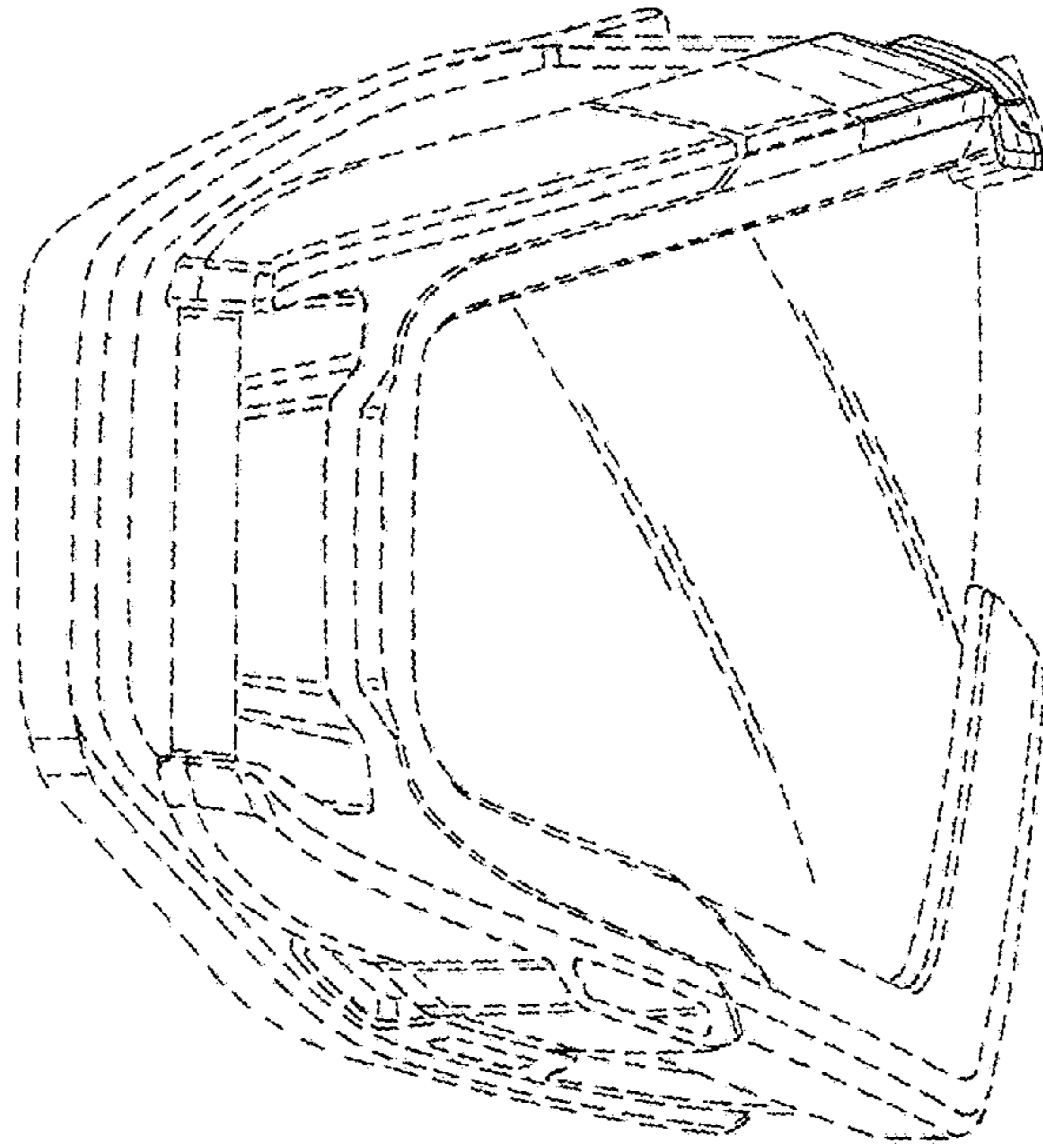
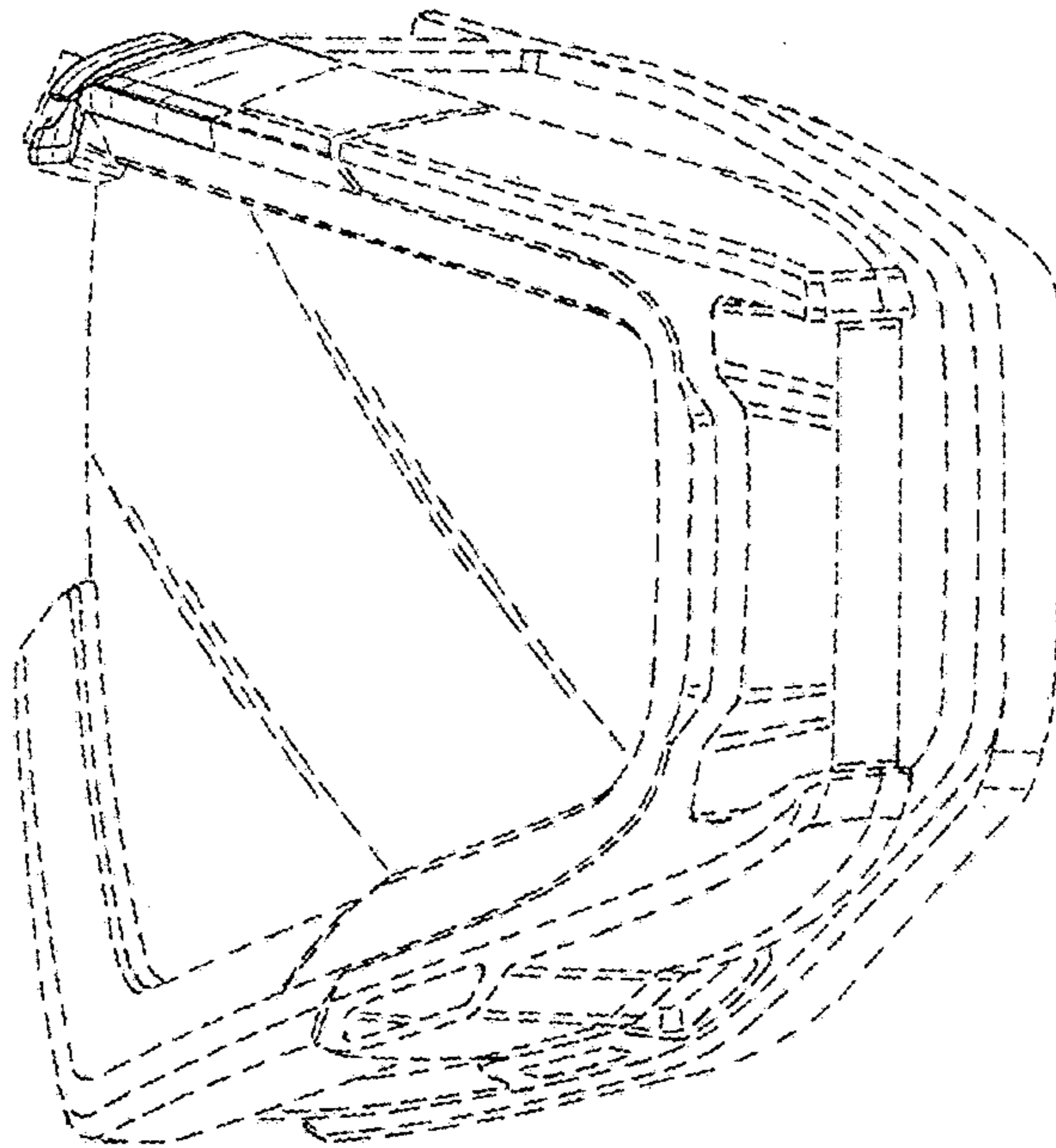


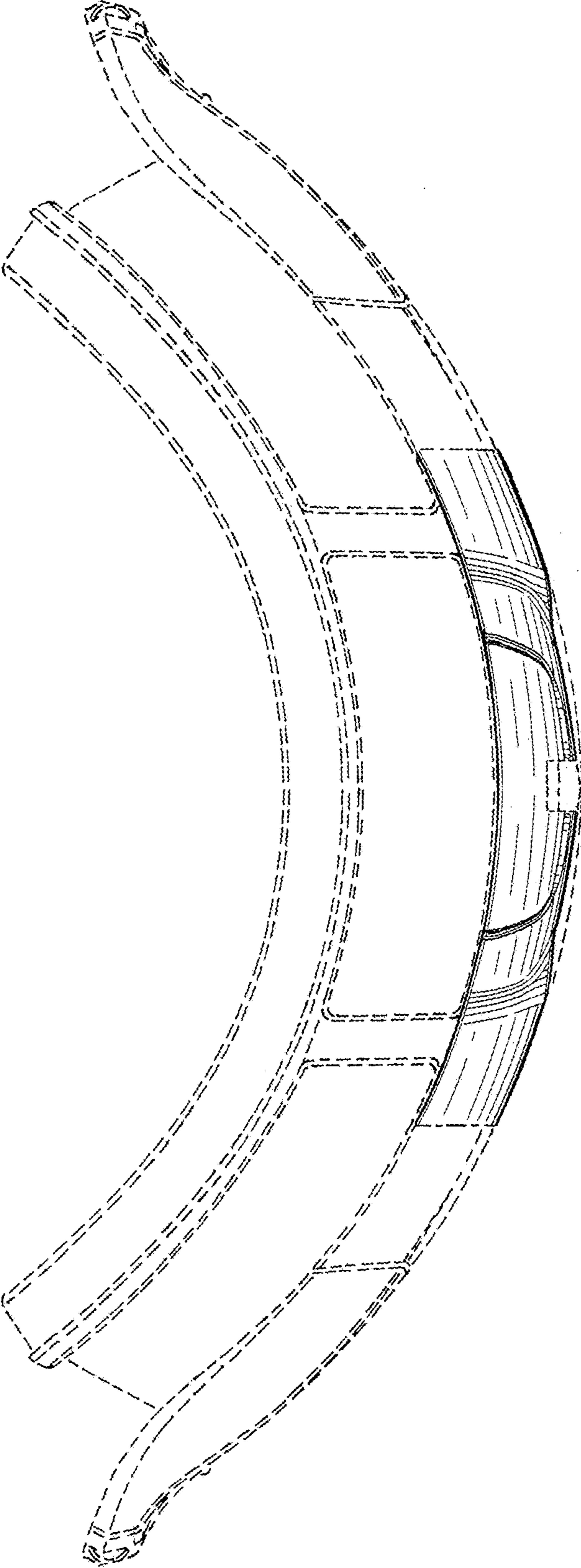
Fig. 3



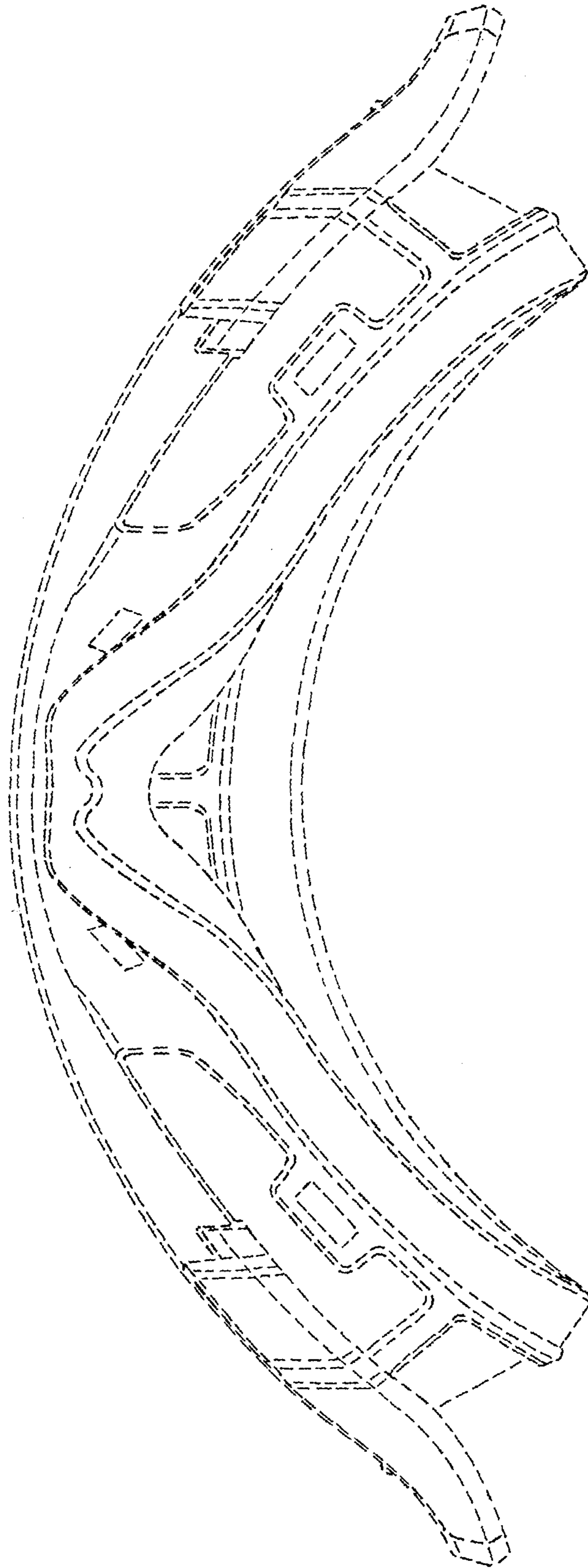
*Fig. 4*



*Fig. 5*

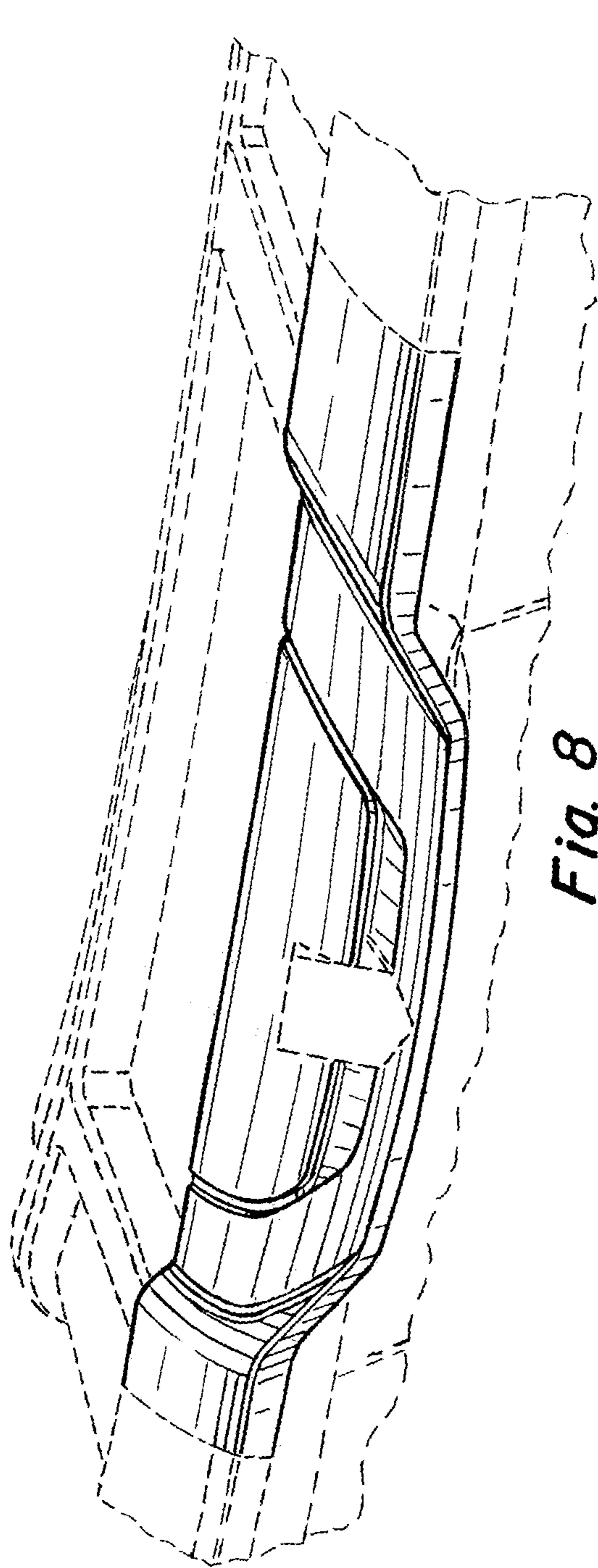


*Fig. 6*

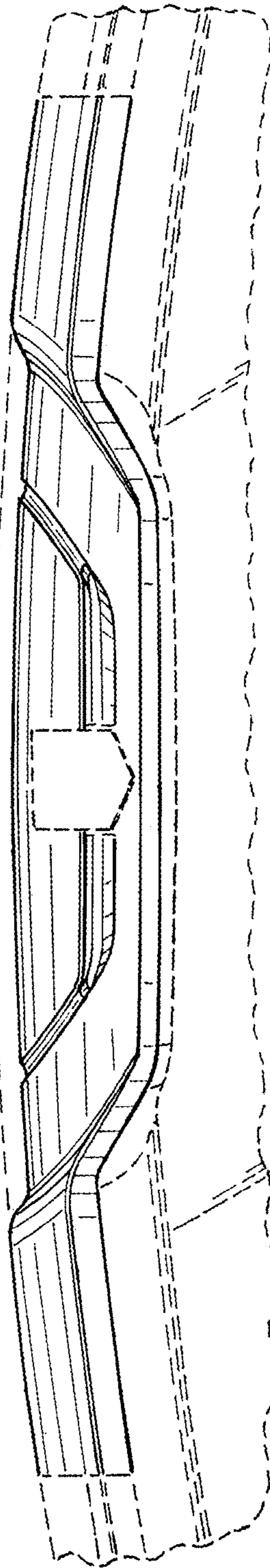


*Fig. 7*

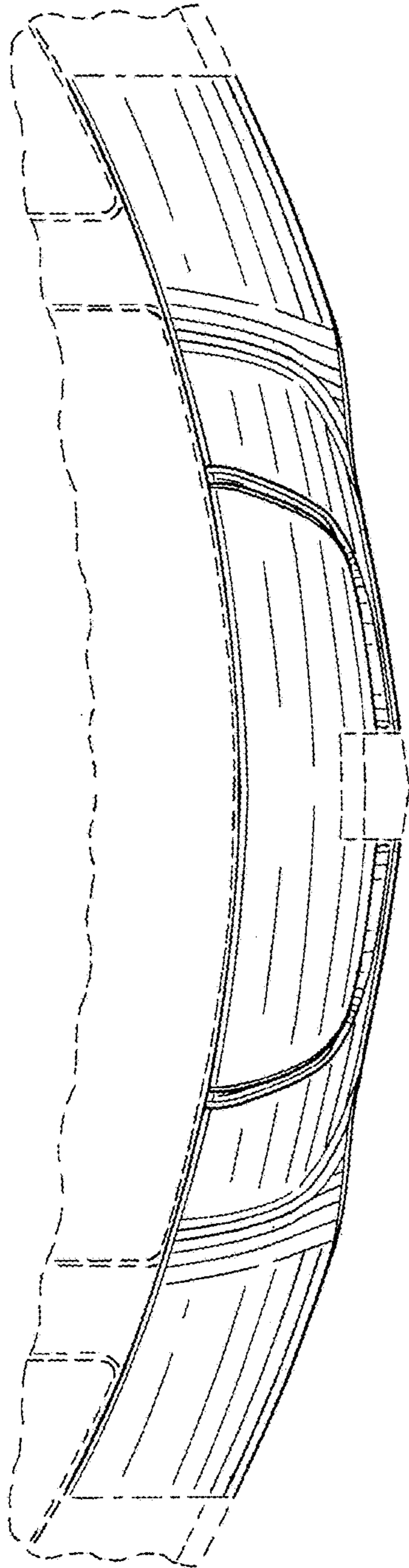




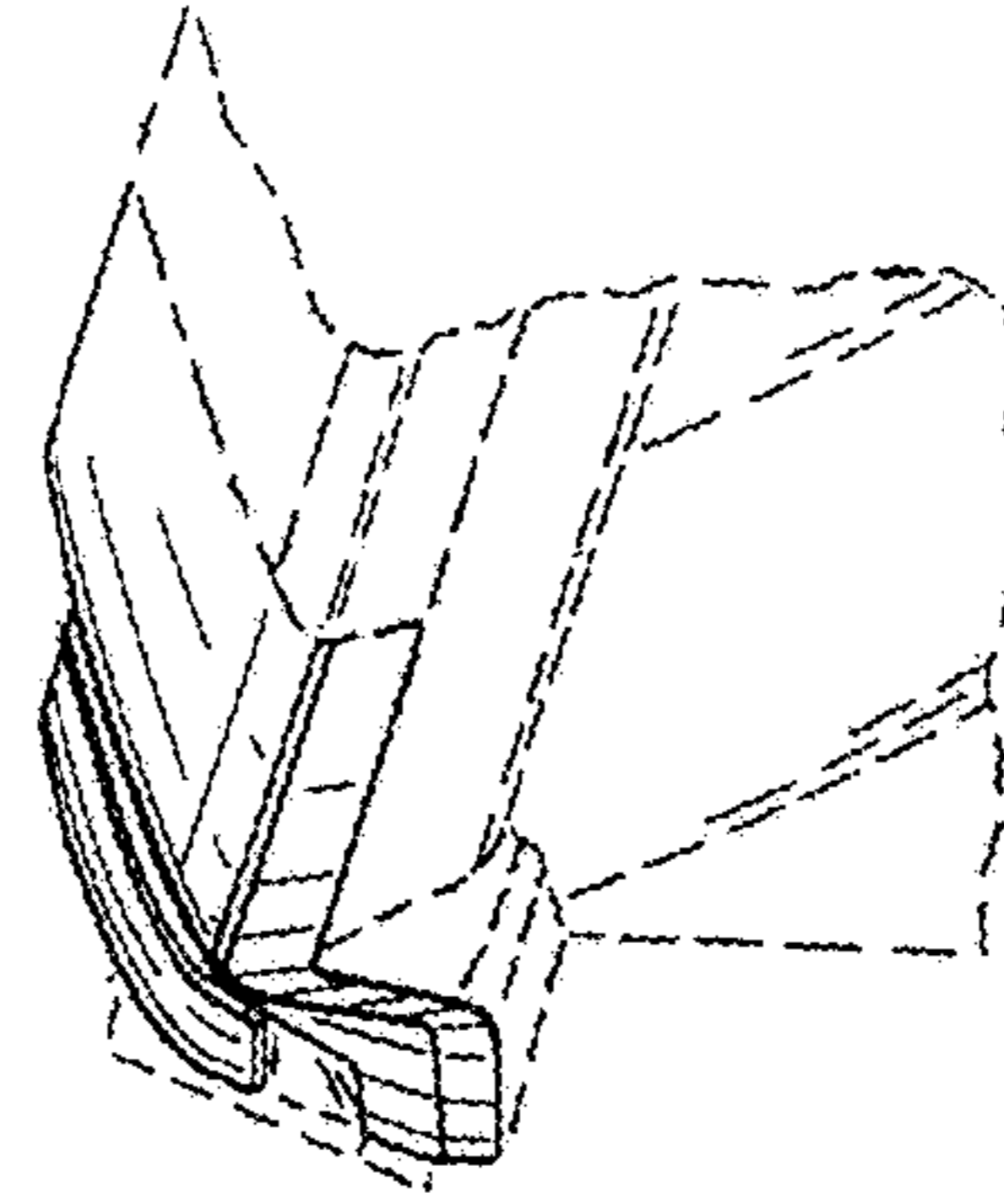
*Fig. 8*



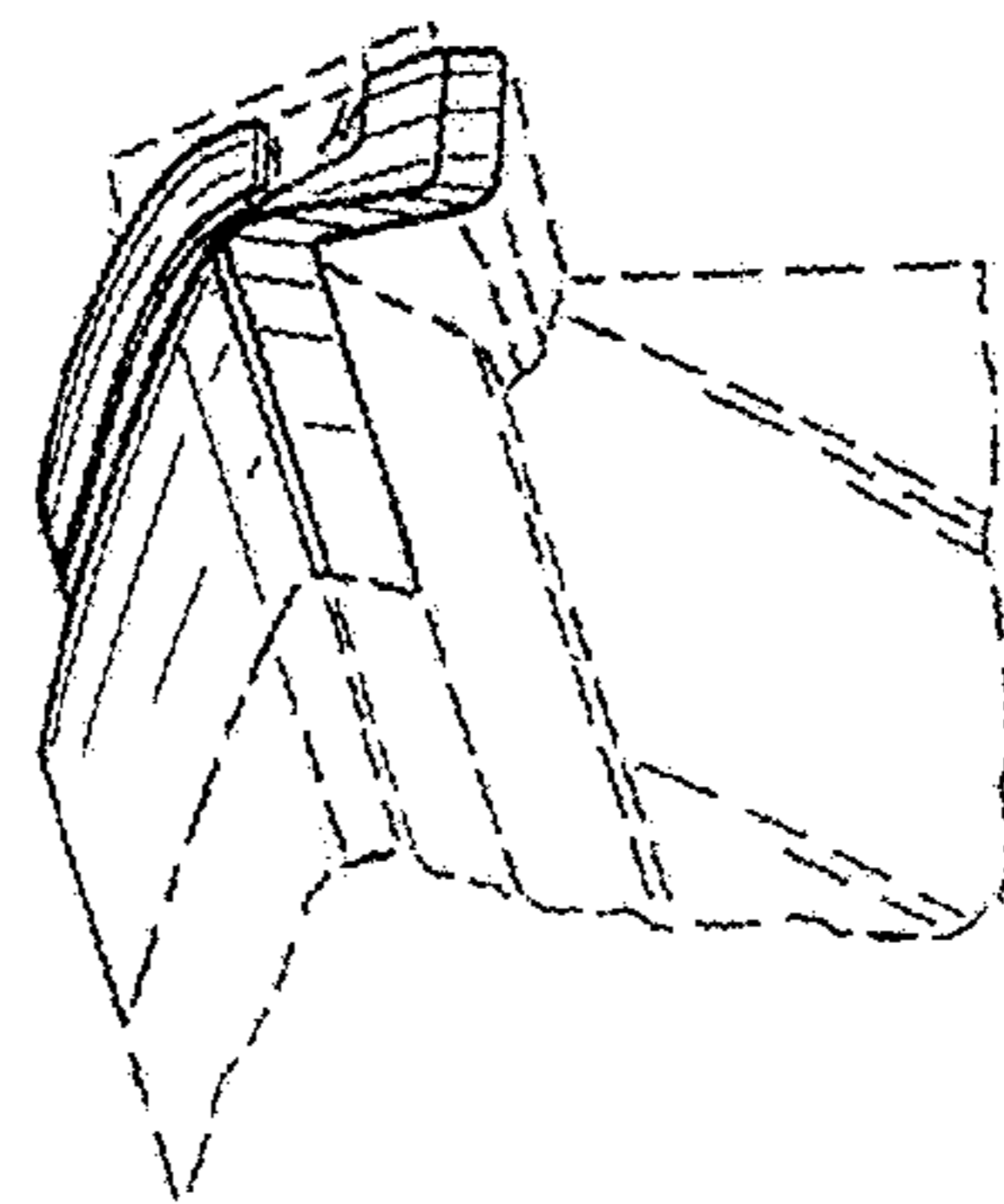
*Fig. 9*



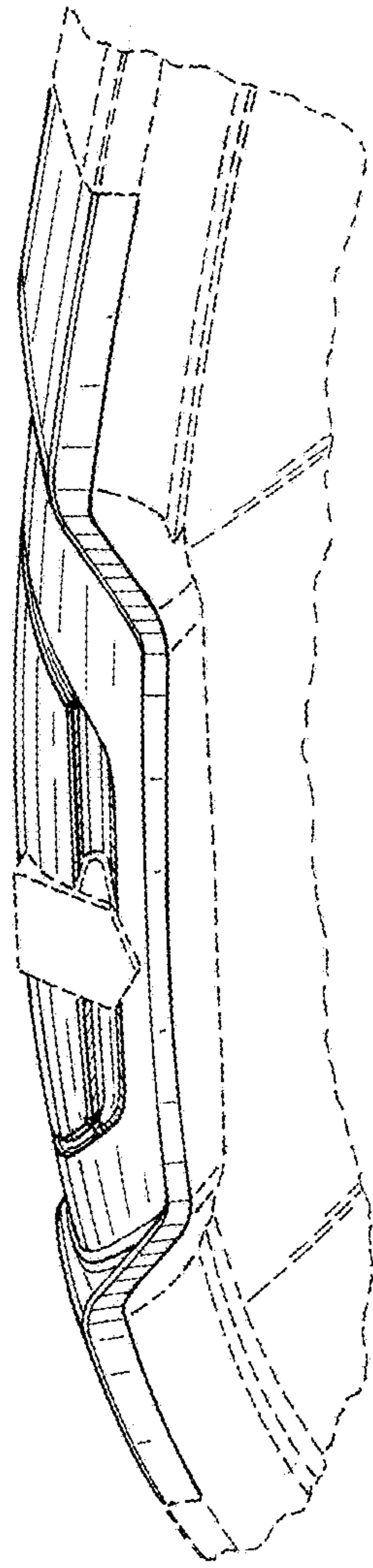
*Fig. 10*



*Fig. 12*



*Fig. 11*



*Fig. 13*