



US00D794700S

(12) **United States Design Patent** (10) **Patent No.:** **US D794,700 S**
Li (45) **Date of Patent:** **** Aug. 15, 2017**

(54) **3D GLASSES**

D274,625 S * 7/1984 Loucks D16/101
D327,489 S * 6/1992 Kaye D16/304
D328,084 S * 7/1992 Salce D16/312

(71) Applicant: **SUN SCALE (SZ)**
MANUFACTURING LIMITED,
Guangdong Province (CN)

(Continued)

(72) Inventor: **Joseph Li**, Guangdong Province (CN)

Primary Examiner — Rosemary K Tarcza

Assistant Examiner — Sanjeev Paul

(**) Term: **15 Years**

(74) *Attorney, Agent, or Firm* — Prakash Nama; Global IP Services, PLLC

(21) Appl. No.: **29/539,135**

(57) **CLAIM**

The ornamental design for 3D glasses, as shown and described.

(22) Filed: **Sep. 11, 2015**

(51) **LOC (10) Cl.** **16-06**

DESCRIPTION

(52) **U.S. Cl.**

USPC **D16/309**

(58) **Field of Classification Search**

USPC D16/101, 300–342, 900; D29/109–110;
D21/483, 659–661; D14/372; 351/41,
351/44, 45–48, 51–52, 62, 158, 92,
351/103–123, 140–153, 63, 59; 2/13, 15,
2/426–432, 447–449, 441, 434–437

CPC G02C 2200/08; G02C 1/06; G02C 5/14;
G02C 11/02; G02C 11/04; G02C 5/16;
G02C 2200/22; G02C 5/146; G02C
5/2254; G02C 5/008; G01C 5/16; A61M
2021/0044; A63B 33/002

See application file for complete search history.

FIG. 1 is a front elevational view of 3D glasses showing my new design;
FIG. 2 is a rear elevational view thereof;
FIG. 3 is a left side view thereof;
FIG. 4 is a right side view thereof;
FIG. 5 is a top plan view thereof;
FIG. 6 is a bottom plan view thereof; and
FIG. 7 is a perspective view thereof;
FIG. 8 is a front elevational view of the 3D glasses in a state of use;
FIG. 9 is a rear elevational view of the 3D glasses shown in FIG. 8;
FIG. 10 is a left side view of the 3D glasses shown in FIG. 8;
FIG. 11 is a right side view of the 3D glasses shown in FIG. 8;
FIG. 12 is a top plan view of the 3D glasses shown in FIG. 8;
FIG. 13 is a bottom plan view of the 3D glasses shown in FIG. 8; and,
FIG. 14 is a perspective view of the 3D glasses shown in FIG. 8.

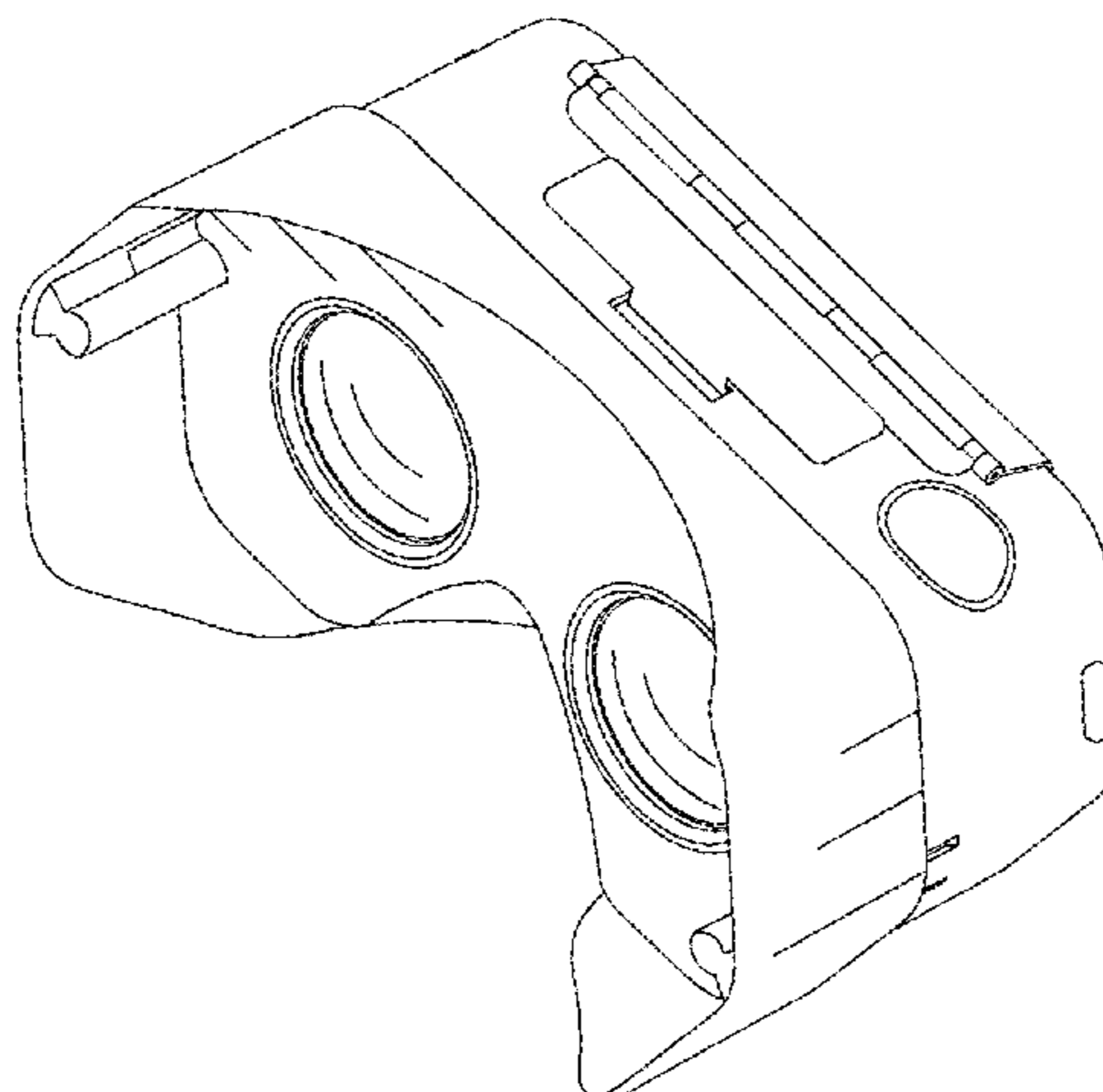
The broken lines shown in the drawings are included for the purpose of illustrating unclaimed portions of the 3D glasses and form no part of the claimed design.

(56) **References Cited**

U.S. PATENT DOCUMENTS

D171,852 S * 3/1954 Hoffmaster D16/303
D181,456 S * 11/1957 Black D16/312
D182,465 S * 4/1958 Hoffmaster D16/303
D183,773 S * 10/1958 Spiezio D16/310
D184,011 S * 12/1958 Hirschmann et al. D16/303
D204,099 S * 3/1966 Simpson D16/312
D204,638 S * 5/1966 Wood D16/311
3,781,560 A * 12/1973 DeBurgh G02C 11/04
250/214 VT
3,867,020 A * 2/1975 Braunhut G02C 7/16
2/433

1 Claim, 8 Drawing Sheets



(56)

References Cited

U.S. PATENT DOCUMENTS

| | | | | | | | |
|----------------|---------|---------------|------------------------|-------------------|---------|-------------------|-----------------------|
| D329,443 S * | 9/1992 | Vasko, Jr. | D16/306 | D652,860 S * | 1/2012 | Carlow | D16/306 |
| 5,488,438 A * | 1/1996 | Cochran | A61F 9/02 351/41 | D658,701 S * | 5/2012 | Iinuma | D16/309 |
| D369,595 S * | 5/1996 | Kober | D14/372 | D663,351 S * | 7/2012 | Stahl | D16/306 |
| 5,523,804 A * | 6/1996 | Nolan | B63C 11/12 351/41 | D667,482 S * | 9/2012 | Healy | D16/309 |
| D383,148 S * | 9/1997 | Wang Lee | D16/314 | D669,471 S * | 10/2012 | Hwang | D14/372 |
| D384,966 S * | 10/1997 | Huang | D16/315 | D678,433 S * | 3/2013 | Judkins | D21/661 |
| 5,682,219 A * | 10/1997 | Kim | A42B 1/247 2/10 | 8,449,110 B2 * | 5/2013 | Tsai | G02C 5/20 351/121 |
| D391,981 S * | 3/1998 | Chang | D16/306 | D685,839 S * | 7/2013 | Pearson | D16/312 |
| 5,828,437 A * | 10/1998 | Hubert-Habart | A61F 9/023 351/44 | D688,294 S * | 8/2013 | Roy | D16/309 |
| 6,076,927 A * | 6/2000 | Owens | G02C 5/10 351/118 | D700,928 S * | 3/2014 | Lavoie | D16/309 |
| D429,751 S * | 8/2000 | Garrity | D16/309 | D701,206 S * | 3/2014 | Luckey | D14/372 |
| D433,023 S * | 10/2000 | Pinchuk | D14/372 | D708,662 S * | 7/2014 | Strickman Levitas | D16/326 |
| D433,411 S * | 11/2000 | Kawashima | D14/372 | 8,782,820 B2 * | 7/2014 | Park | A61F 9/029 2/438 |
| D439,265 S * | 3/2001 | Hayashi | D14/372 | D722,101 S * | 2/2015 | Kikuyama | D16/309 |
| 6,460,994 B1 * | 10/2002 | Nolan | B63C 11/12 351/41 | RE45,394 E * | 3/2015 | Carlow | D16/306 |
| 6,502,937 B2 * | 1/2003 | Yang | G02C 9/00 351/47 | D726,244 S * | 4/2015 | Defranco | D16/301 |
| D472,263 S * | 3/2003 | Jones | D16/303 | D732,028 S * | 6/2015 | Kim | D14/372 |
| 6,667,833 B1 * | 12/2003 | Fay | G02C 7/088 351/158 | D733,790 S * | 7/2015 | McKinish | D16/101 |
| D503,188 S * | 3/2005 | Lin | D16/300 | D738,374 S * | 9/2015 | Luckey | D14/372 |
| D521,045 S * | 5/2006 | Py | D16/331 | D749,580 S * | 2/2016 | Kim | D14/372 |
| D525,666 S * | 7/2006 | Yeung | D16/312 | D749,583 S * | 2/2016 | Luckey | D14/372 |
| D529,941 S * | 10/2006 | Py | D16/331 | D750,074 S * | 2/2016 | Coz | D14/372 |
| D541,837 S * | 5/2007 | Smith | D16/304 | D751,072 S * | 3/2016 | Lyons | D14/372 |
| D578,120 S * | 10/2008 | Lowe | D14/372 | D753,111 S * | 4/2016 | Fei | D14/372 |
| 7,478,904 B2 * | 1/2009 | Oliver, III | G02B 27/2221 351/41 | D753,113 S * | 4/2016 | Fei | D14/372 |
| D610,184 S * | 2/2010 | Pearson | D16/204 | D755,881 S * | 5/2016 | Johnson | D16/300 |
| D613,328 S * | 4/2010 | Carlow | D16/300 | D757,003 S * | 5/2016 | Goossens | D14/372 |
| D617,825 S * | 6/2010 | Chang | D16/309 | D758,367 S * | 6/2016 | Natsume | D14/372 |
| D625,350 S * | 10/2010 | Morgan | D16/101 | D759,654 S * | 6/2016 | Sullivan | D14/372 |
| D647,948 S * | 11/2011 | Arnaud | D16/309 | D760,225 S * | 6/2016 | Passmore | D14/372 |
| D651,639 S * | 1/2012 | Godoy | D16/311 | D761,257 S * | 7/2016 | Passmore | D14/372 |
| | | | | D764,466 S * | 8/2016 | Kim | D14/372 |
| | | | | 2006/0072066 A1 * | 4/2006 | Mihelic | A61F 9/025 351/41 |
| | | | | 2012/0186005 A1 * | 7/2012 | Anderson | A61F 9/028 2/452 |
| | | | | 2016/0103339 A1 * | 4/2016 | White | G02C 11/10 351/123 |
| | | | | 2016/0170119 A1 * | 6/2016 | Hao | A42B 3/044 362/565 |

* cited by examiner

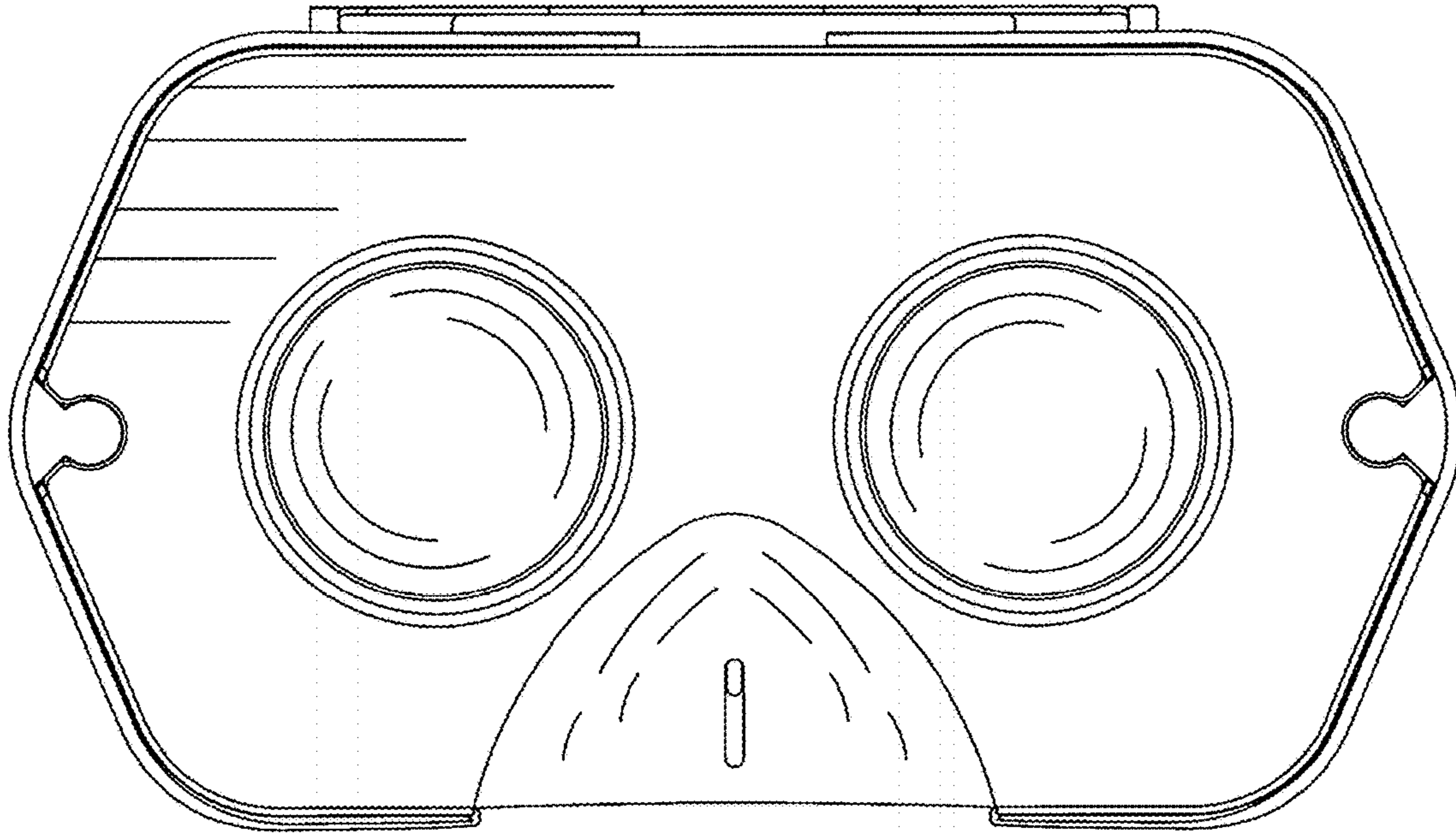


FIG. 1

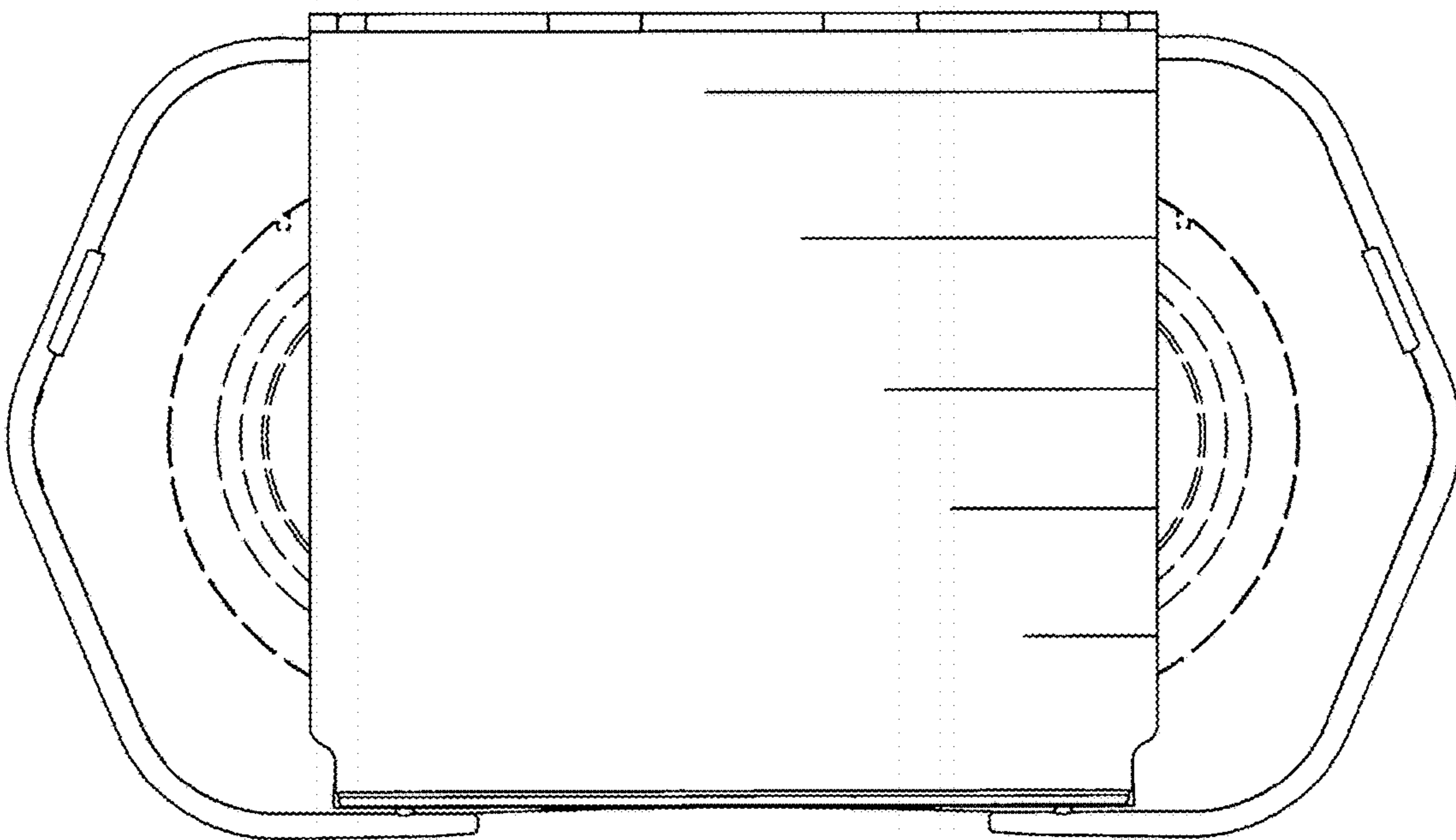


FIG. 2

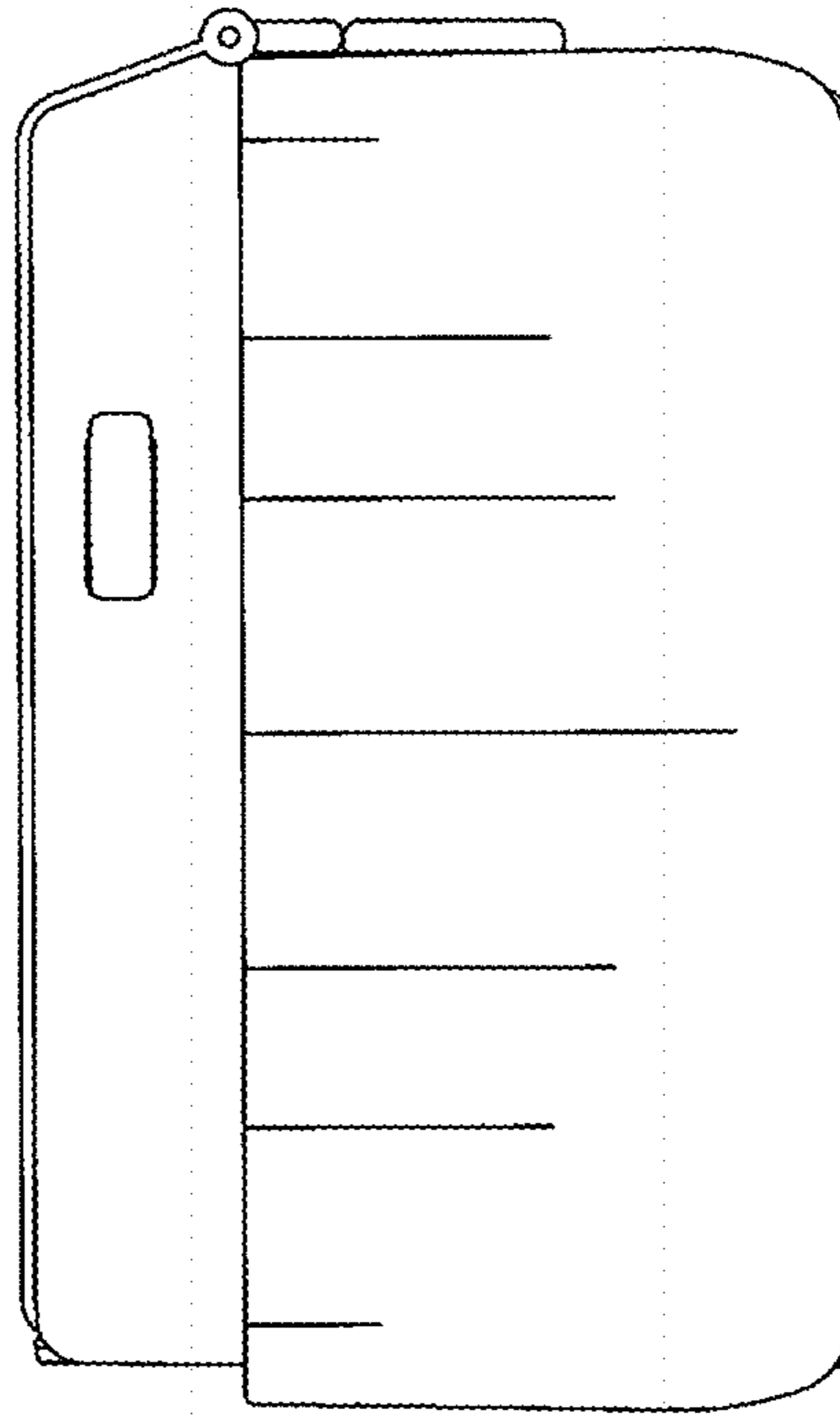


FIG. 3

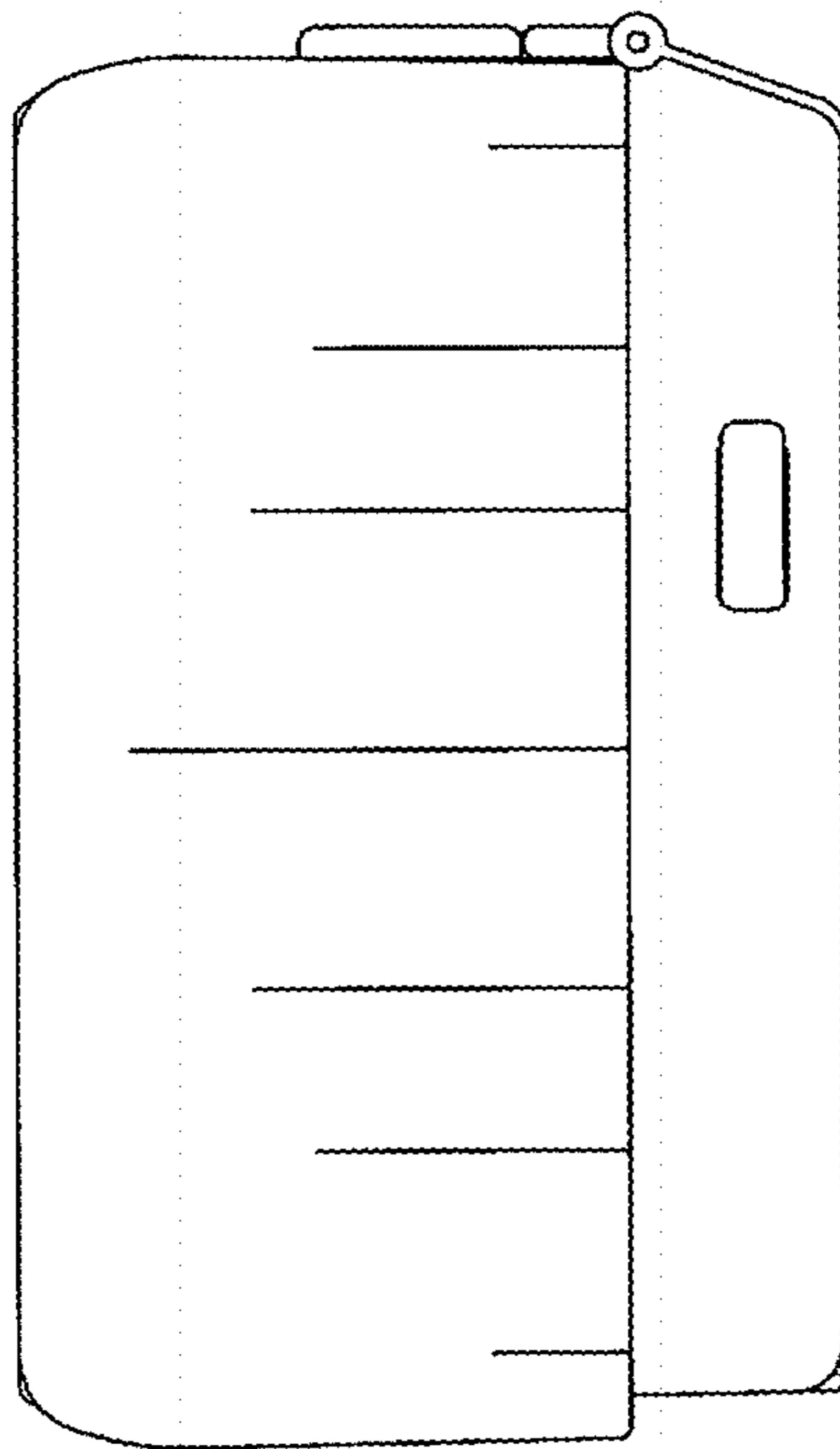


FIG. 4

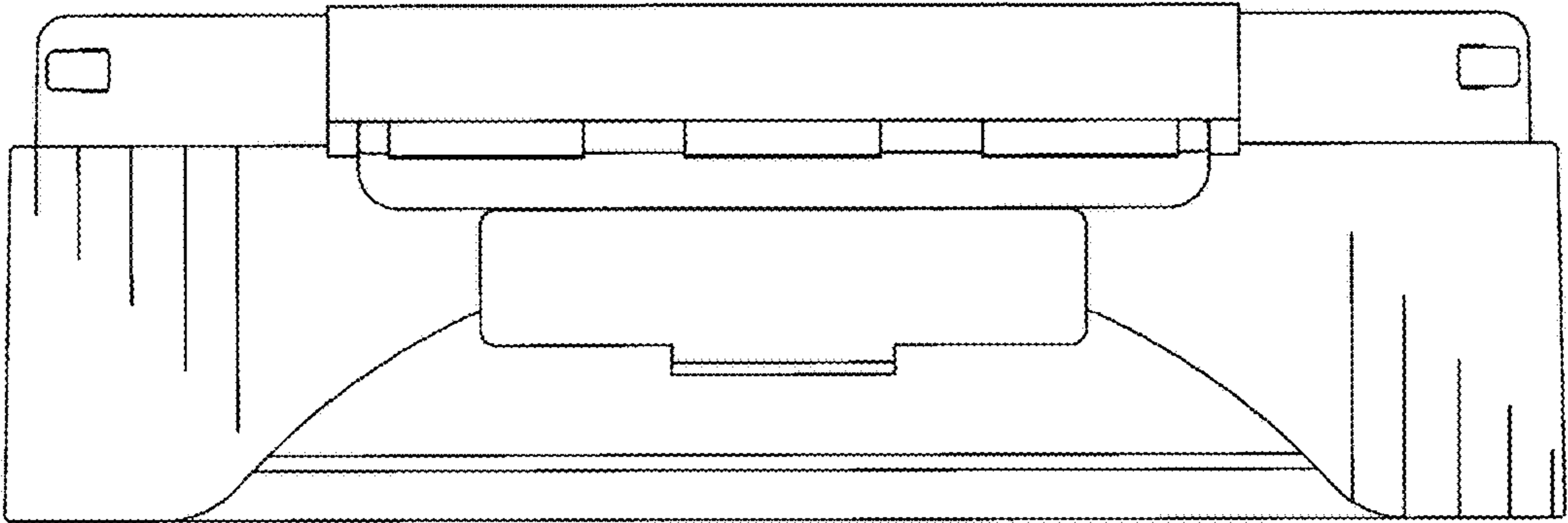


FIG. 5

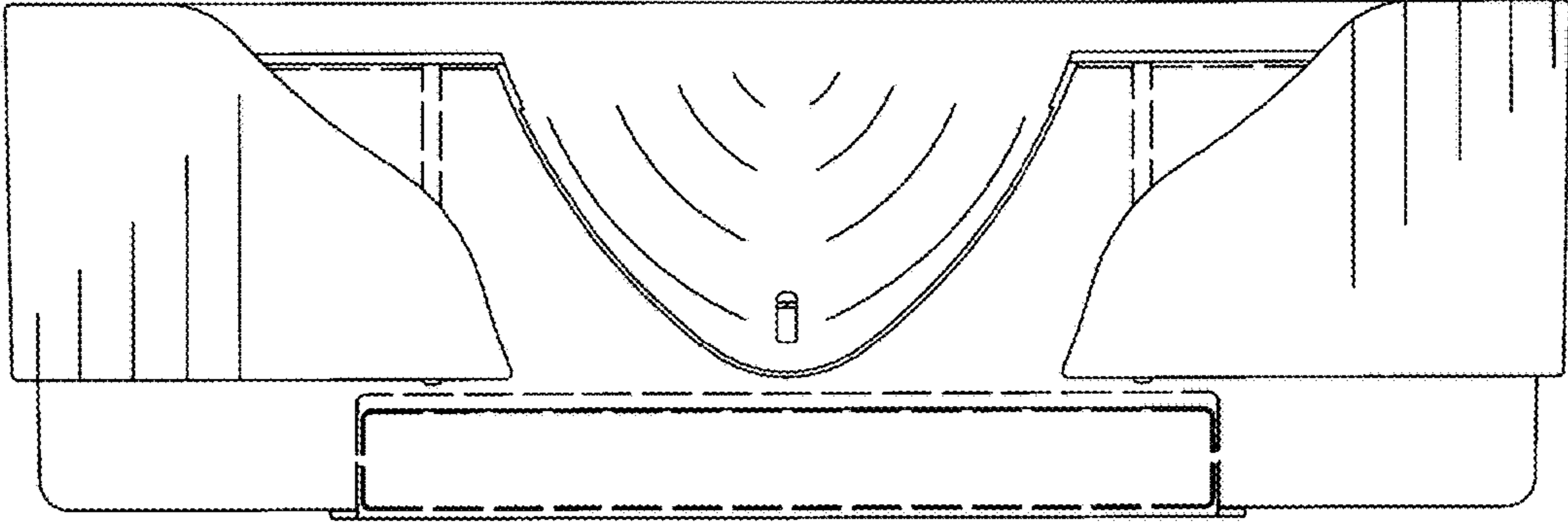


FIG. 6

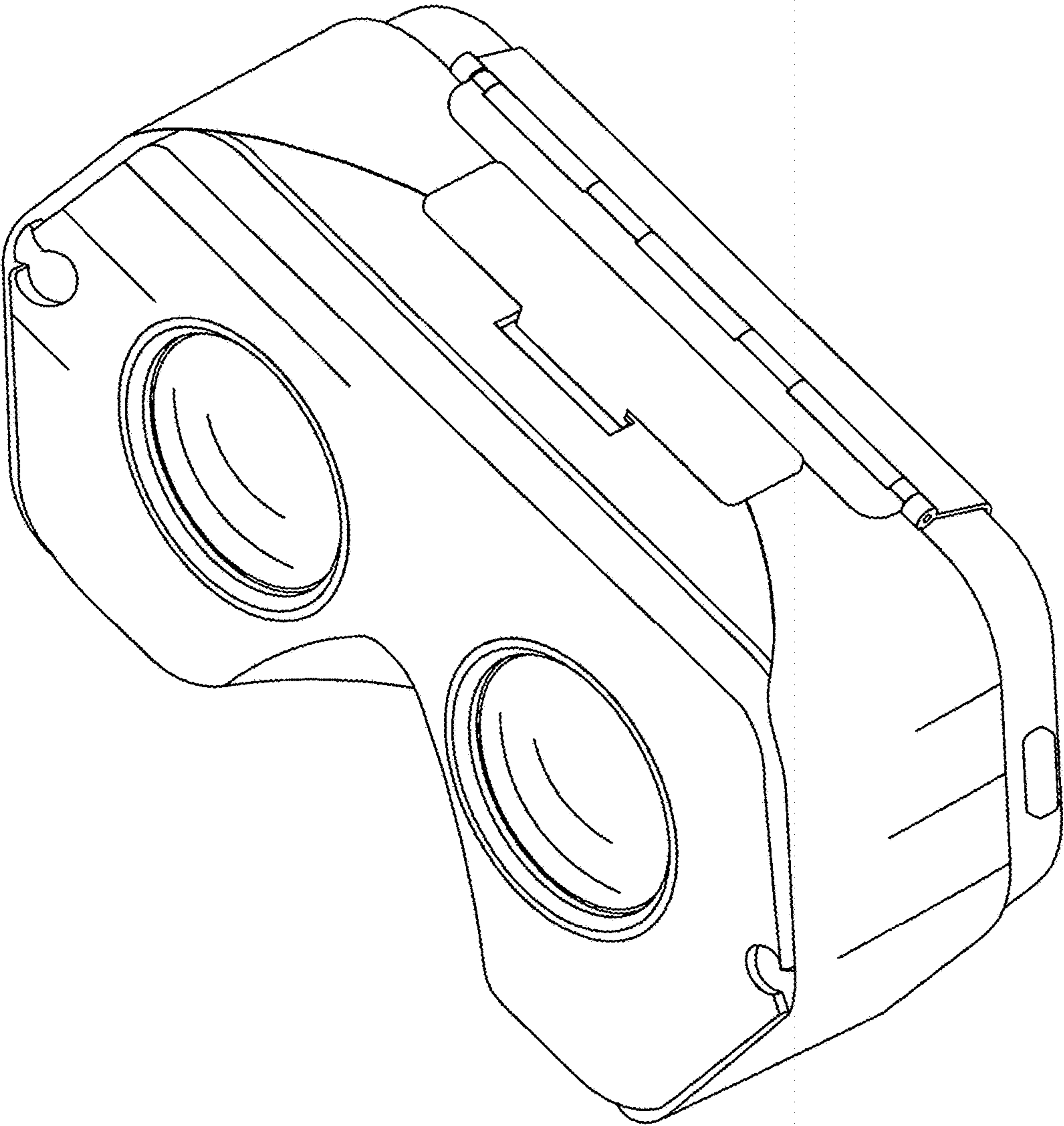


FIG. 7

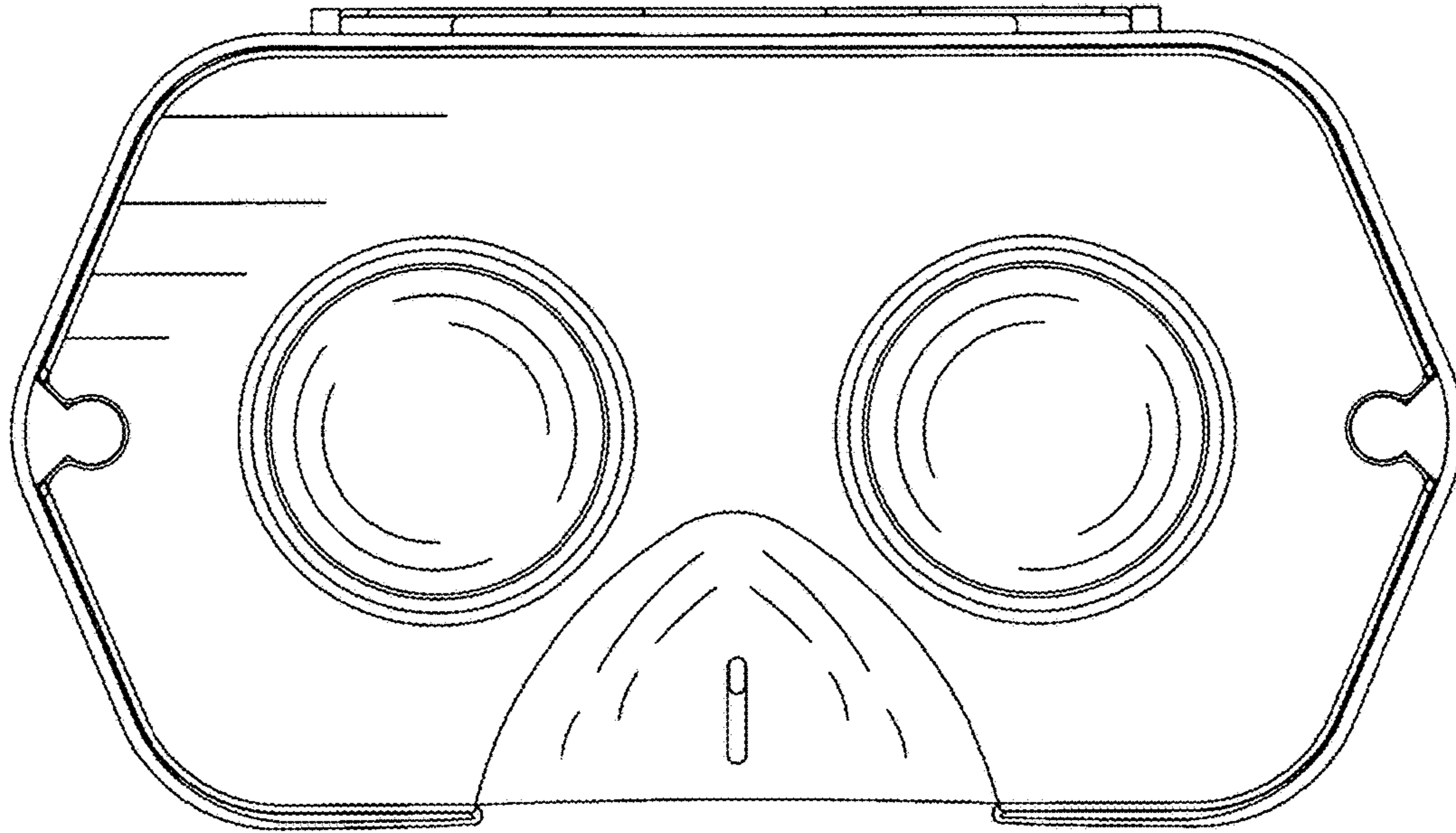


FIG. 8

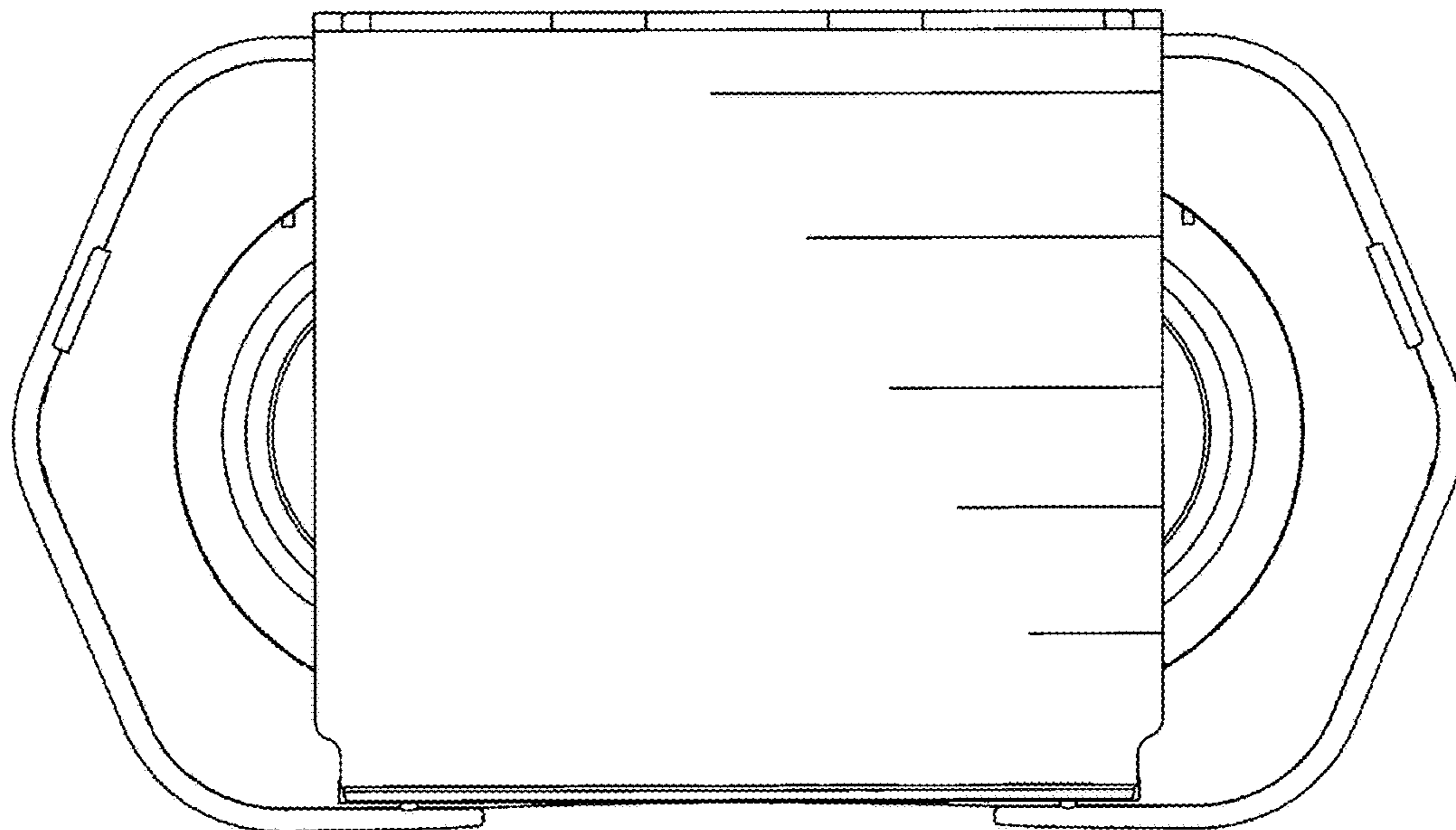


FIG. 9

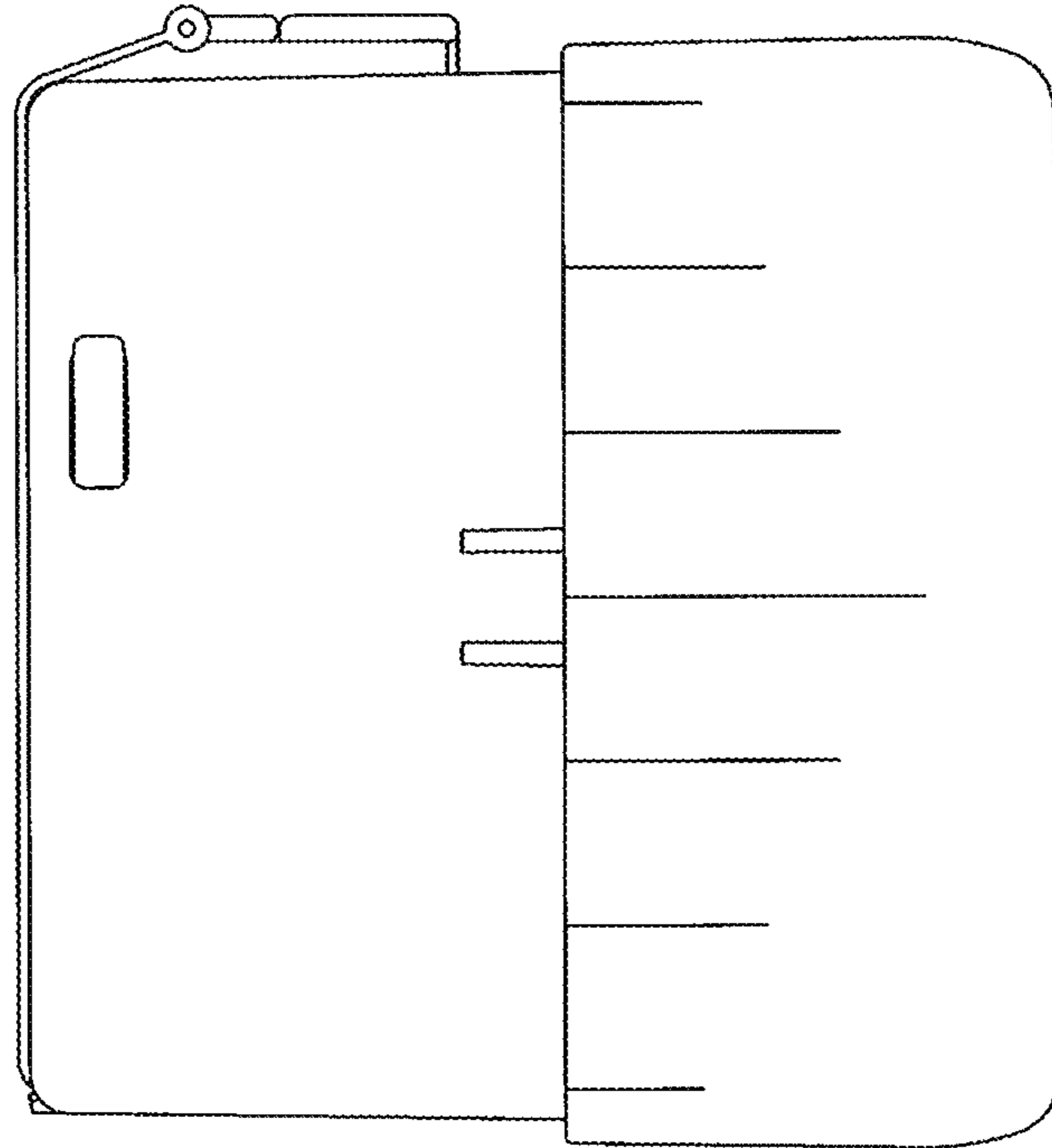


FIG. 10

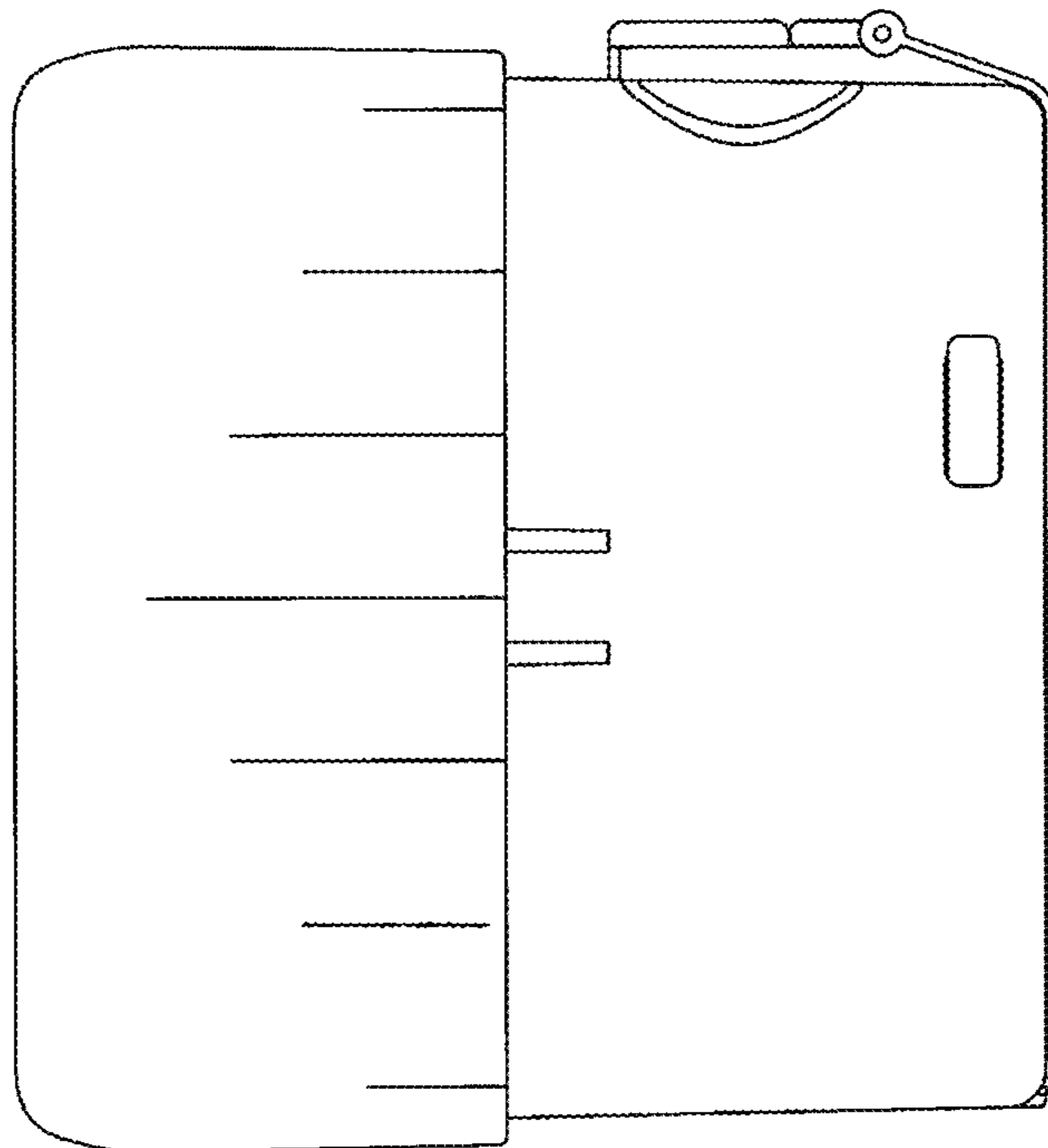


FIG. 11

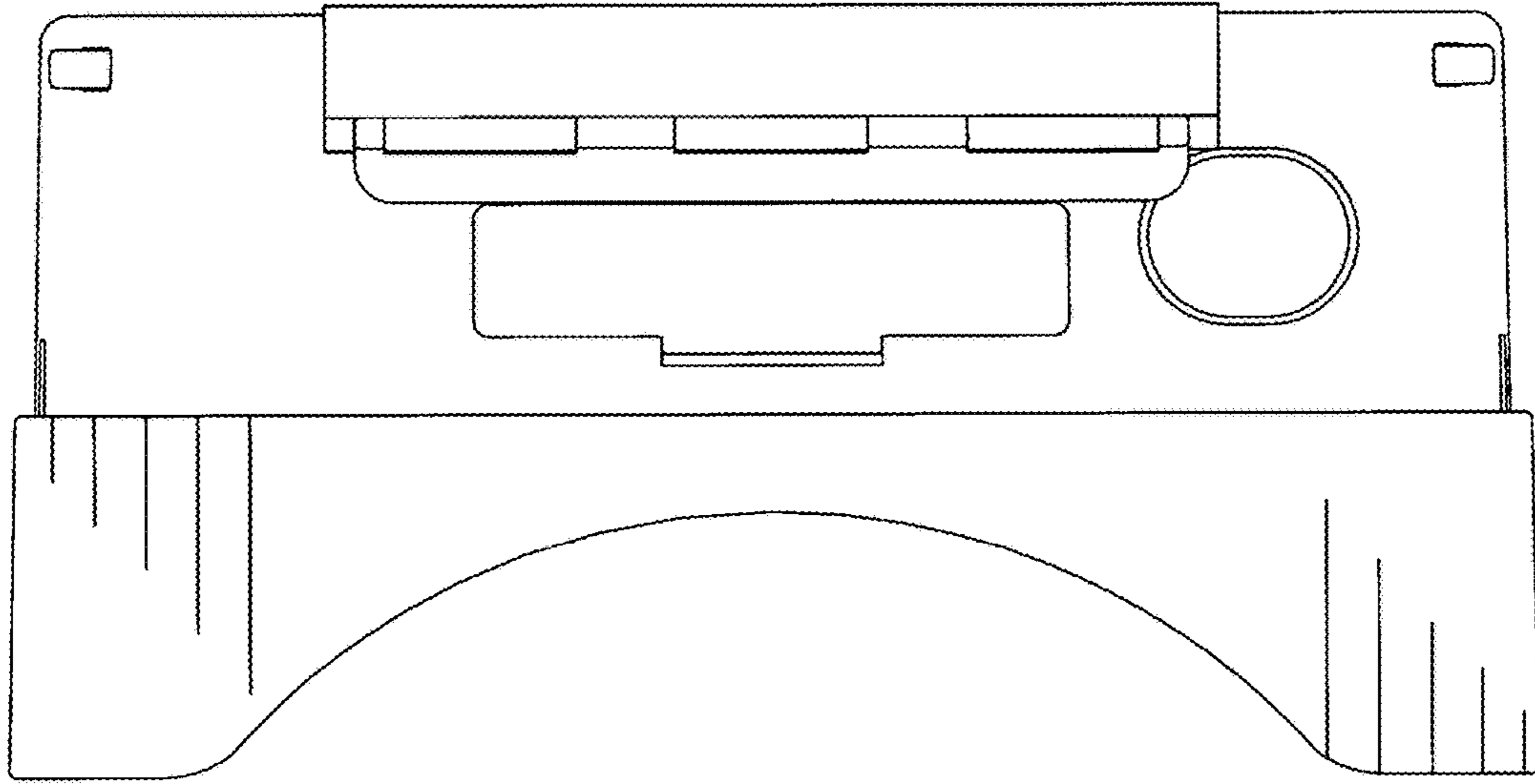


FIG. 12

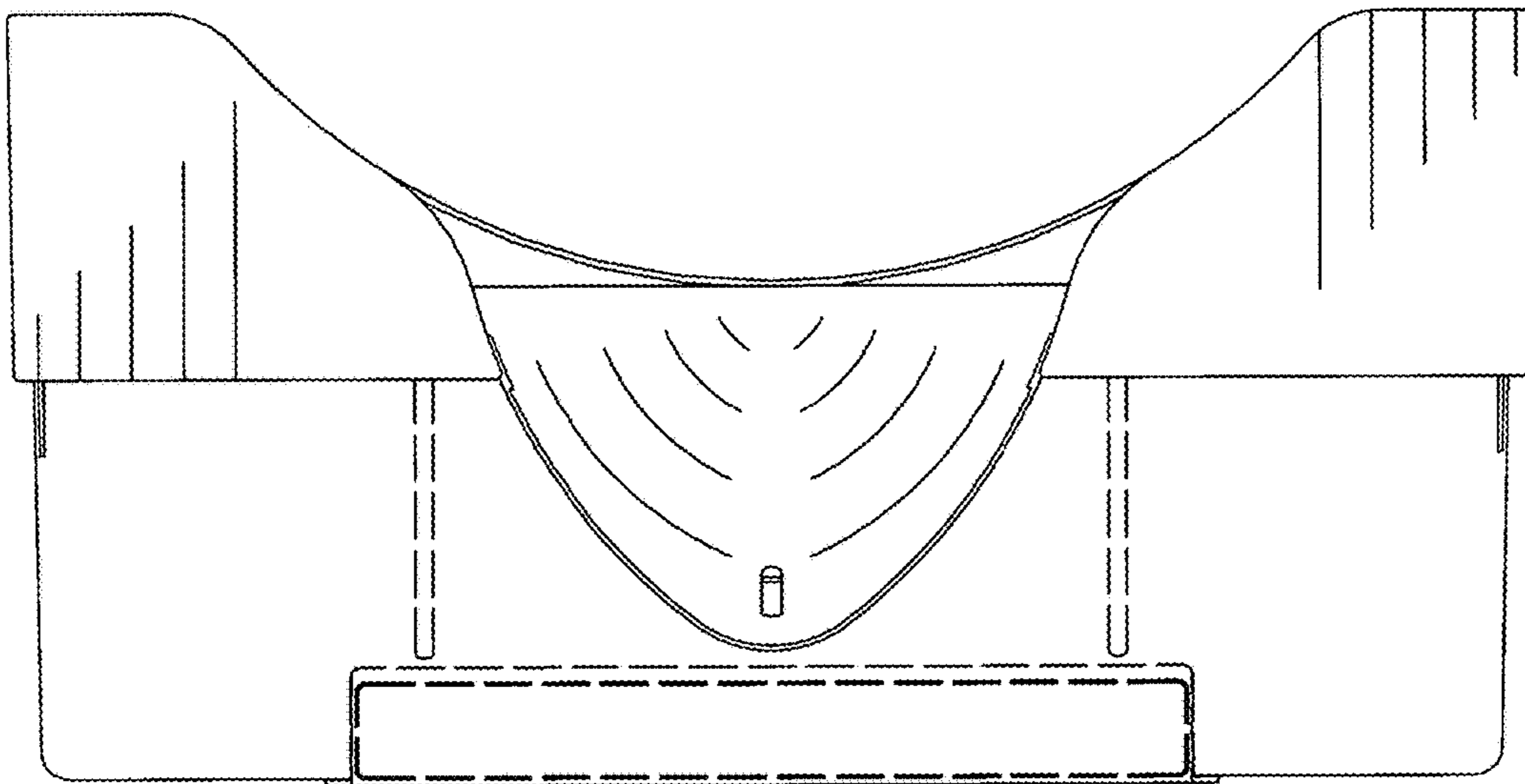


FIG. 13

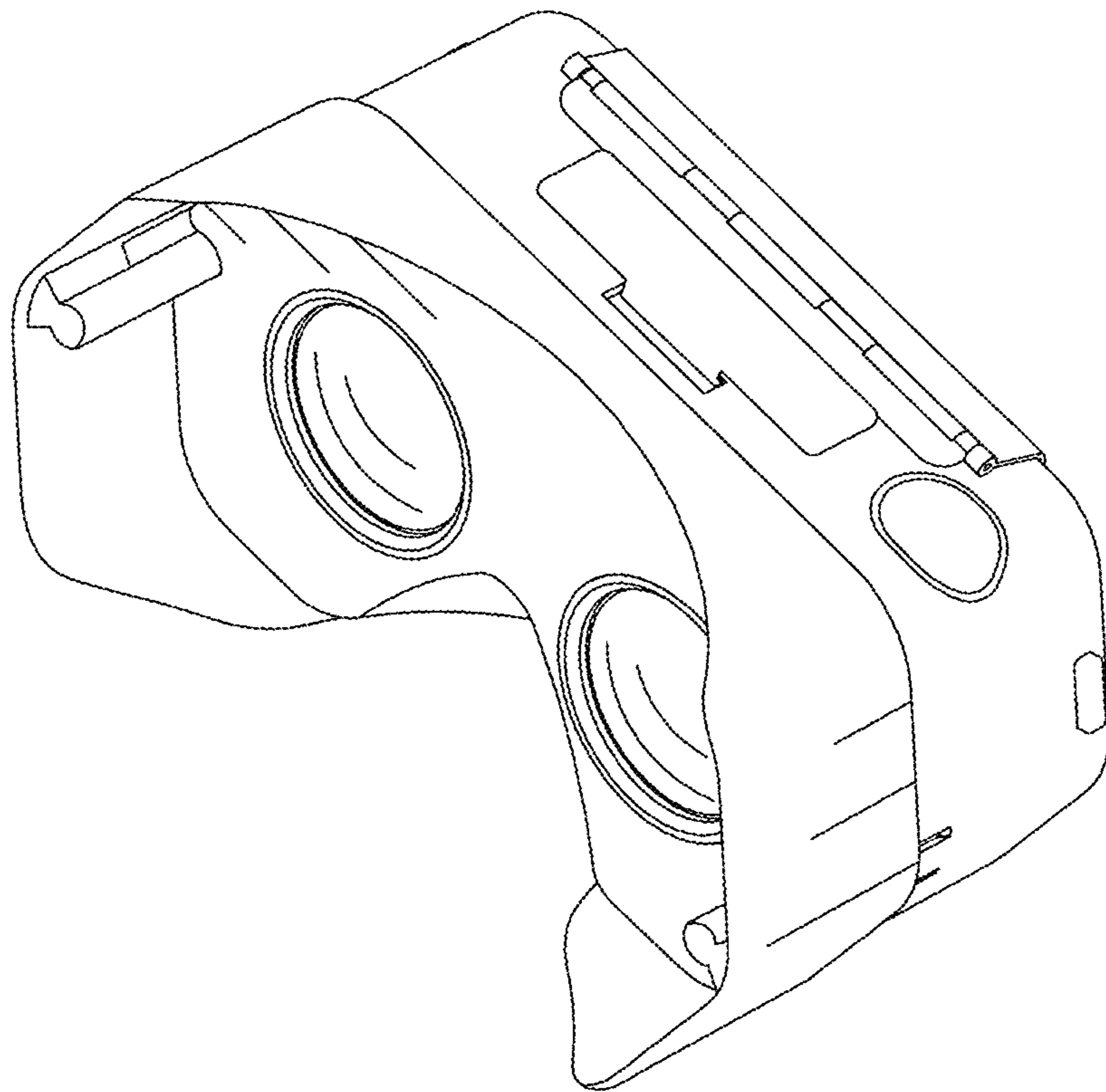


FIG. 14