

US00D794699S

(12) **United States Design Patent** (10) **Patent No.:** **US D794,699 S**  
**Bin-Nun et al.** (45) **Date of Patent:** **\*\* Aug. 15, 2017**

(54) **TRIPOD AND MONOPOD COMBO**

- (71) Applicant: **HumanEyes Technologies Ltd.**,  
Jerusalem (IL)
- (72) Inventors: **Shahar Bin-Nun**, Har-Adar (IL);  
**Rutha Aronson**, Jerusalem (IL); **Oron Lazarovich**, Rehovot (IL); **David Altit**,  
Tel-Aviv (IL); **Amit Barak**, Tel Aviv  
(IL); **Yaniv Adir**, Doar-Na Emek Soreq  
(IL)
- (73) Assignee: **HumanEyes Technologies Ltd.**,  
Jerusalem (IL)

(\*\*) Term: **15 Years**

(21) Appl. No.: **29/550,355**

(22) Filed: **Jan. 3, 2016**

(51) **LOC (10) Cl.** ..... **16-05**

(52) **U.S. Cl.**  
USPC ..... **D16/244**

(58) **Field of Classification Search**

USPC ..... D16/134, 136, 200, 204, 208, 213–219,  
D16/235, 237–250; D14/203, 209, 217,  
D14/218, 224, 250–253, 345, 440, 449;  
D8/363, 373, 394

CPC ..... G03B 17/02; G03B 17/04; G03B 17/14;  
G03B 15/041–15/0436; G03B 17/56;  
F16M 11/32

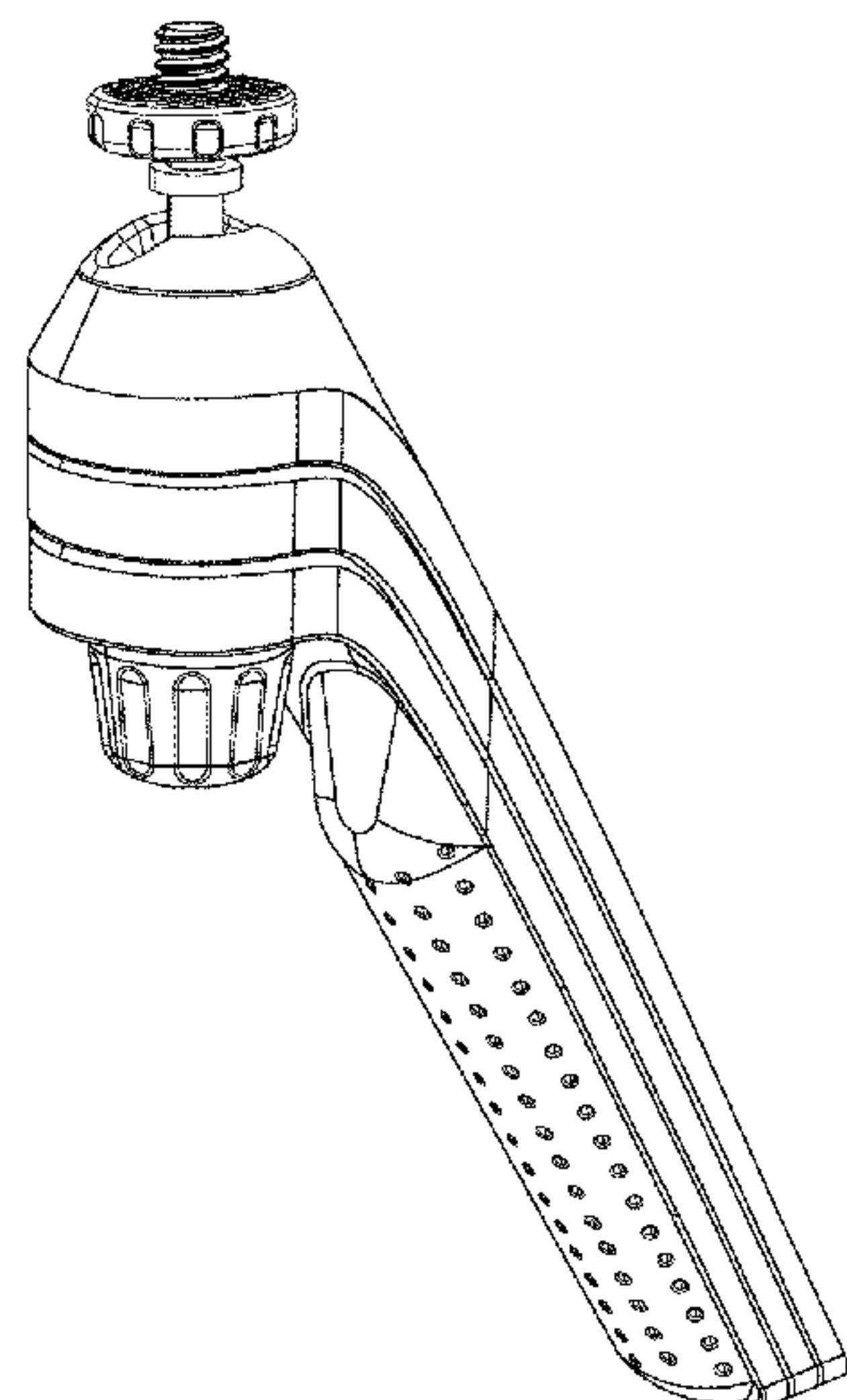
See application file for complete search history.

(56) **References Cited**

**U.S. PATENT DOCUMENTS**

- 2,633,319 A \* 3/1953 Musial ..... F16M 11/16  
248/168
- 3,300,165 A \* 1/1967 O’Kane ..... F16M 11/16  
248/168
- D222,118 S \* 9/1971 Nakatani ..... D16/244
- D290,963 S \* 7/1987 Groschupp ..... D16/244
- D326,105 S \* 5/1992 Doi ..... D16/244

(Continued)



**OTHER PUBLICATIONS**

Vuze Minipod and Tripod. [online] Published date May 13, 2016. Retrieved on Jan. 12, 2017 from <URL: <http://360camerasforums.com/index.php?/topic/211-vuze-minipod-and-tripod/>>.\*

*Primary Examiner* — Vy Koenig  
*Assistant Examiner* — Omeed Agilee

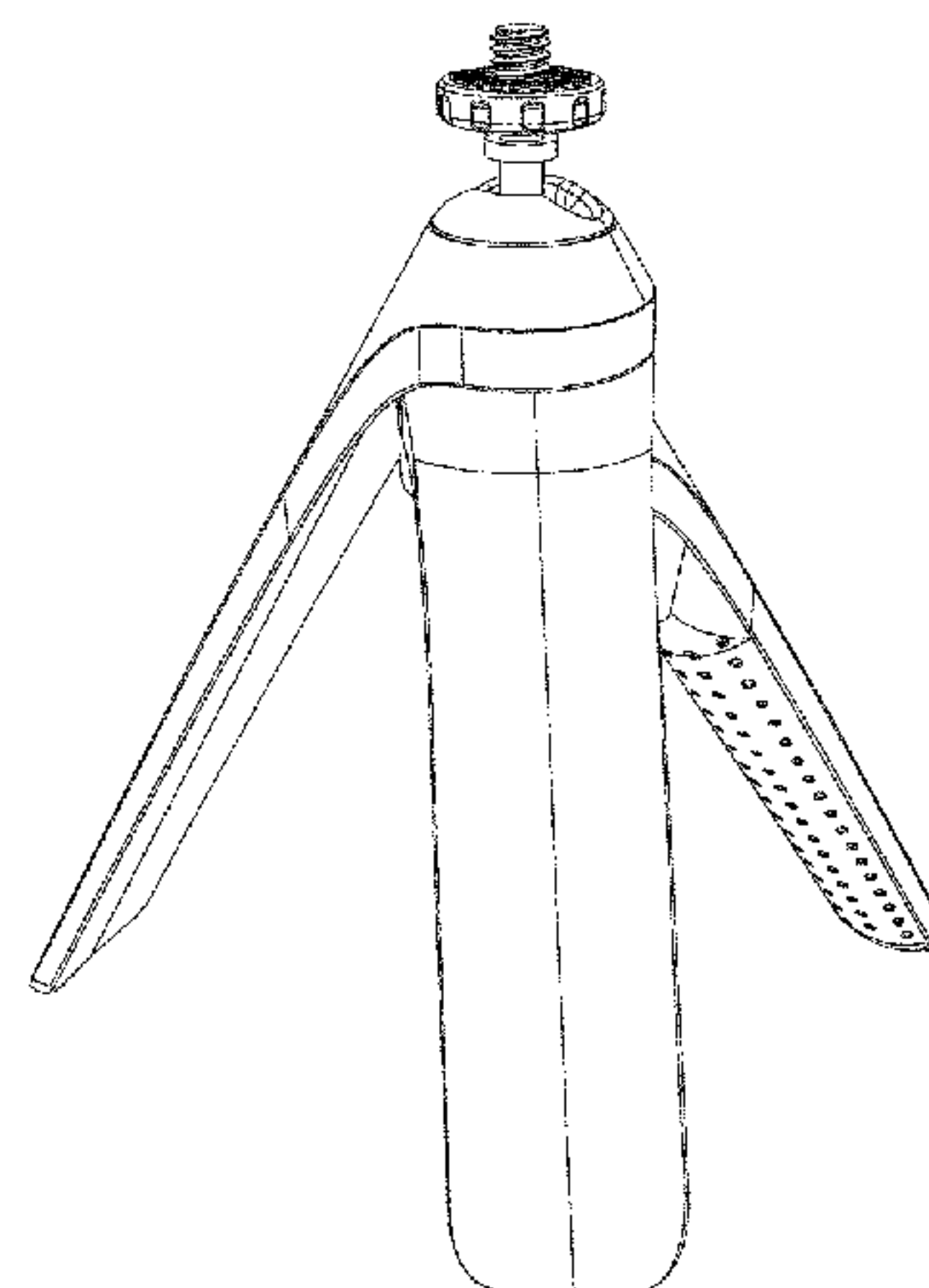
(57) **CLAIM**

The ornamental design for a tripod and monopod combo, as shown and described.

**DESCRIPTION**

FIG. 1 is a front, top and left perspective view of a tripod and monopod combo showing our new design;  
 FIG. 2 is a front view thereof;  
 FIG. 3 is a rear view thereof;  
 FIG. 4 is a left-side view thereof;  
 FIG. 5 is a right-side view thereof;  
 FIG. 6 is a top plan view thereof;  
 FIG. 7 is a bottom plan view thereof;  
 FIG. 8 is a front, top and left perspective view of a tripod and monopod combo with its legs in an open position;  
 FIG. 9 is a front view of the tripod and monopod combo of FIG. 8;  
 FIG. 10 is a rear view of the tripod and monopod combo of FIG. 8;  
 FIG. 11 is a left-side view of the tripod and monopod combo of FIG. 8;  
 FIG. 12 is a right-side view of the tripod and monopod combo of FIG. 8;  
 FIG. 13 is a top plan view of the tripod and monopod combo of FIG. 8; and,  
 FIG. 14 is a bottom plan view of the tripod and monopod combo of FIG. 8.  
 The broken lines shown in the drawings illustrate portions of the tripod and monopod combo that form no part of the claimed design.

**1 Claim, 14 Drawing Sheets**



(56)

**References Cited**

U.S. PATENT DOCUMENTS

D364,388	S	*	11/1995	Miyahara	.....	D14/423
D445,123	S	*	7/2001	Shen	.....	D16/244
D508,938	S	*	8/2005	Murray	.....	D16/244
D532,436	S	*	11/2006	Kruse	.....	D16/244
D607,037	S	*	12/2009	Lee	.....	D16/244
D664,182	S	*	7/2012	Braunstein	.....	D16/242
D673,204	S	*	12/2012	Bae	.....	D16/244
D718,365	S	*	11/2014	Kim	.....	D16/244
D739,456	S	*	9/2015	Poli	.....	D16/244
D772,972	S	*	11/2016	Anari, III	.....	D16/243
2011/0260016	A1	*	10/2011	Johnson	.....	F16M 11/16 248/168

\* cited by examiner

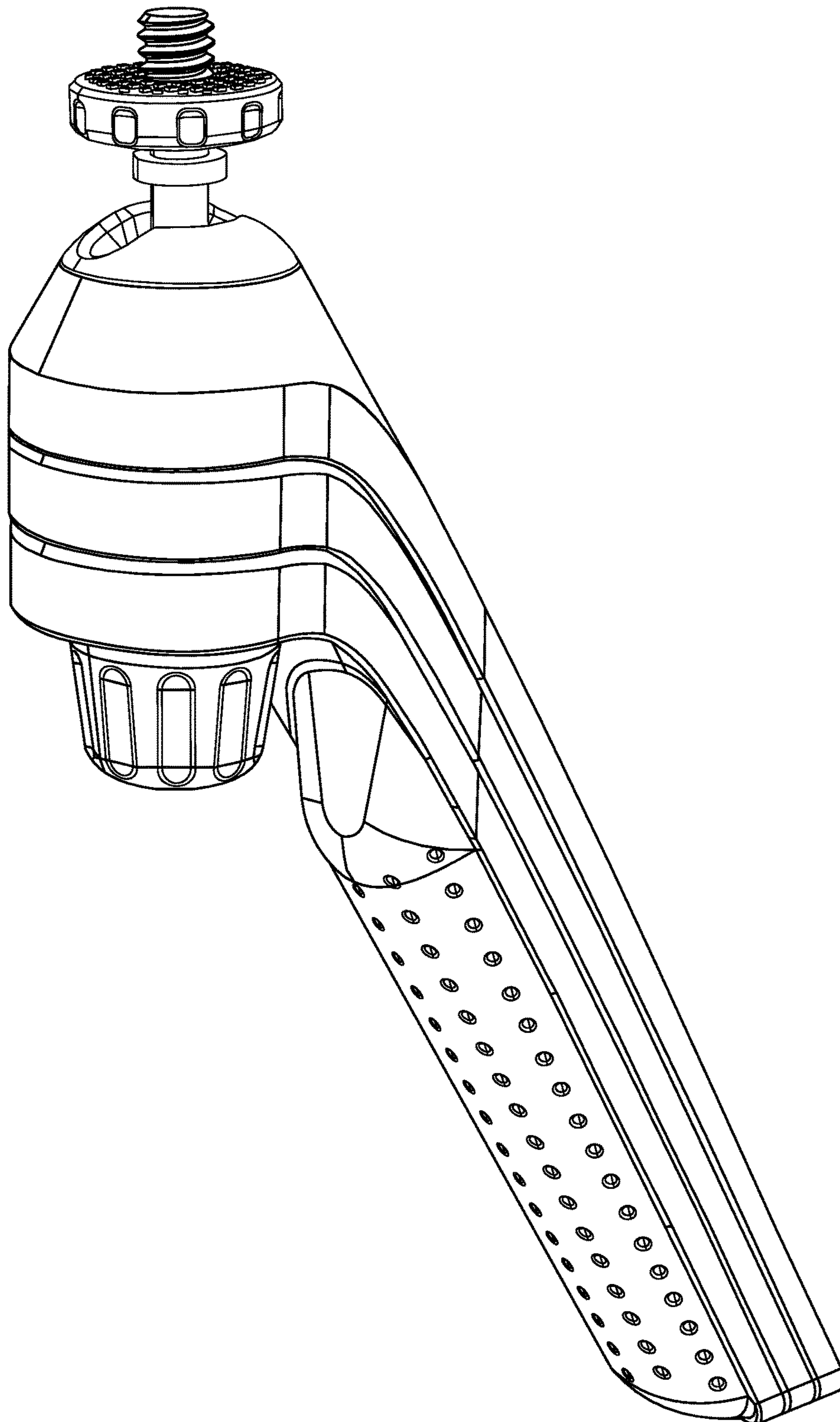


FIG. 1

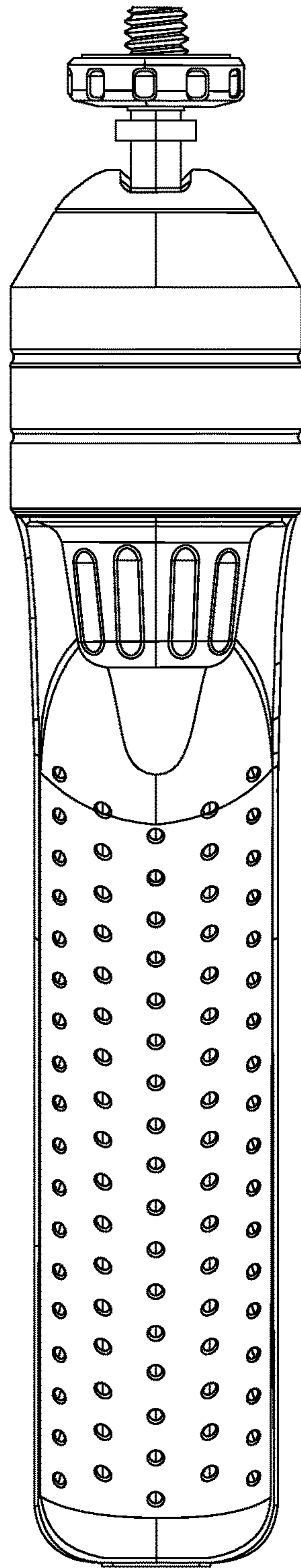


FIG. 2

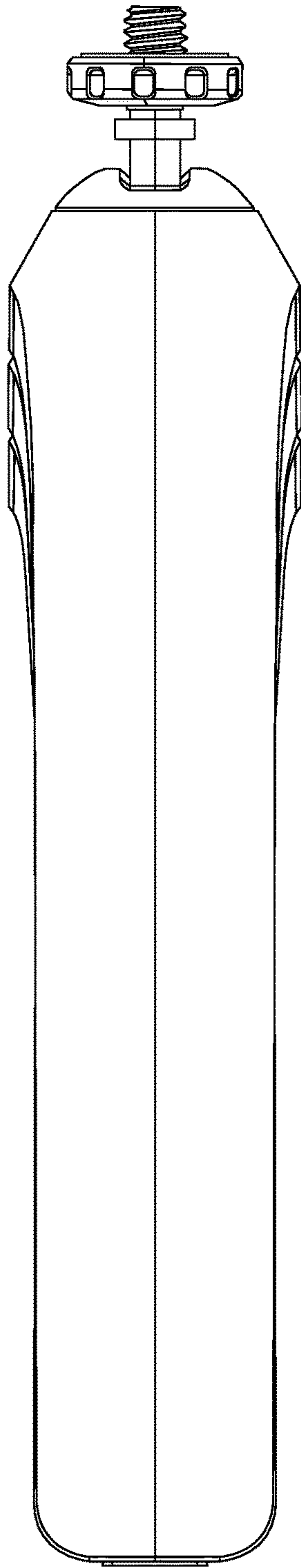


FIG. 3



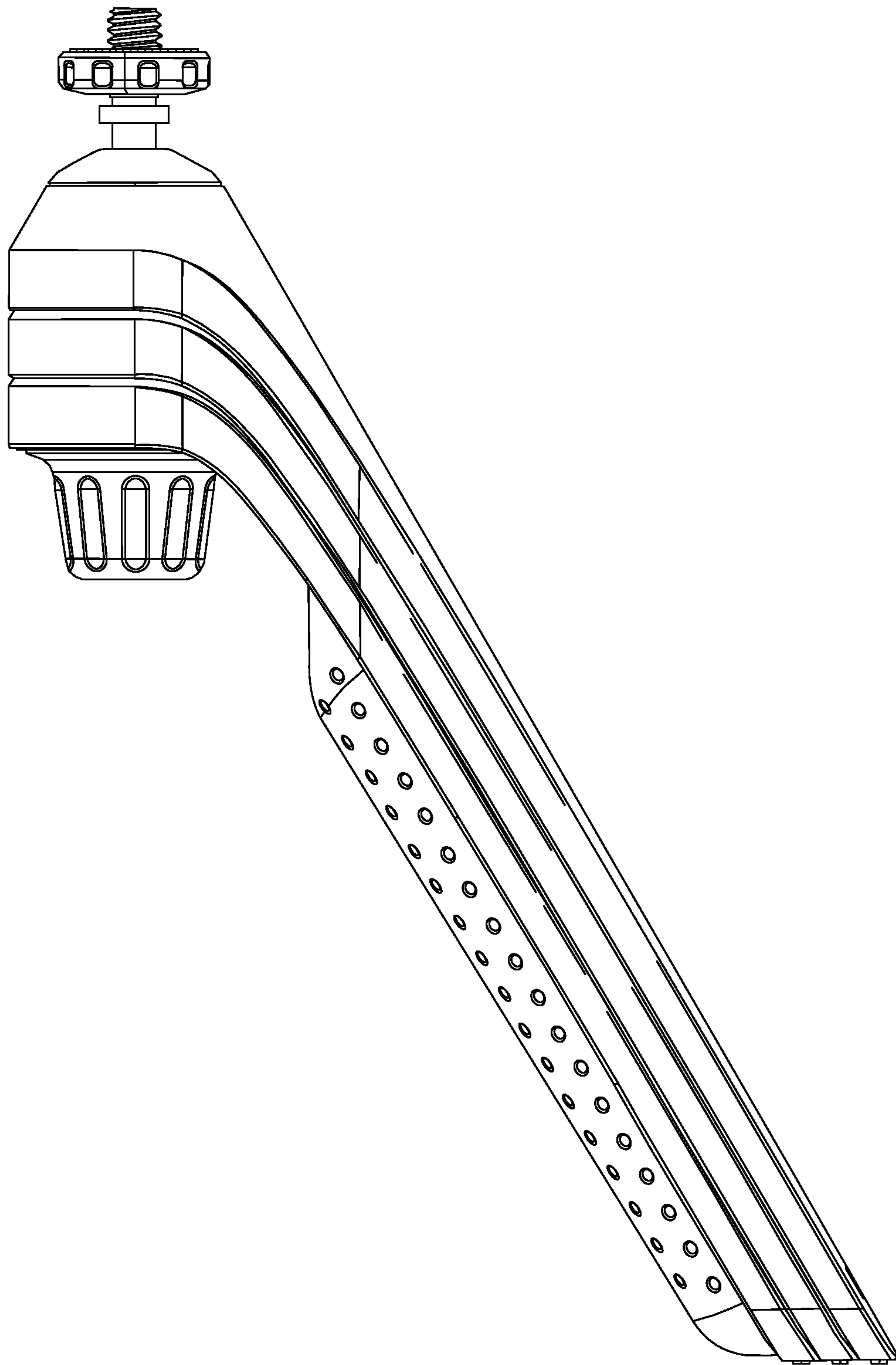


FIG. 4

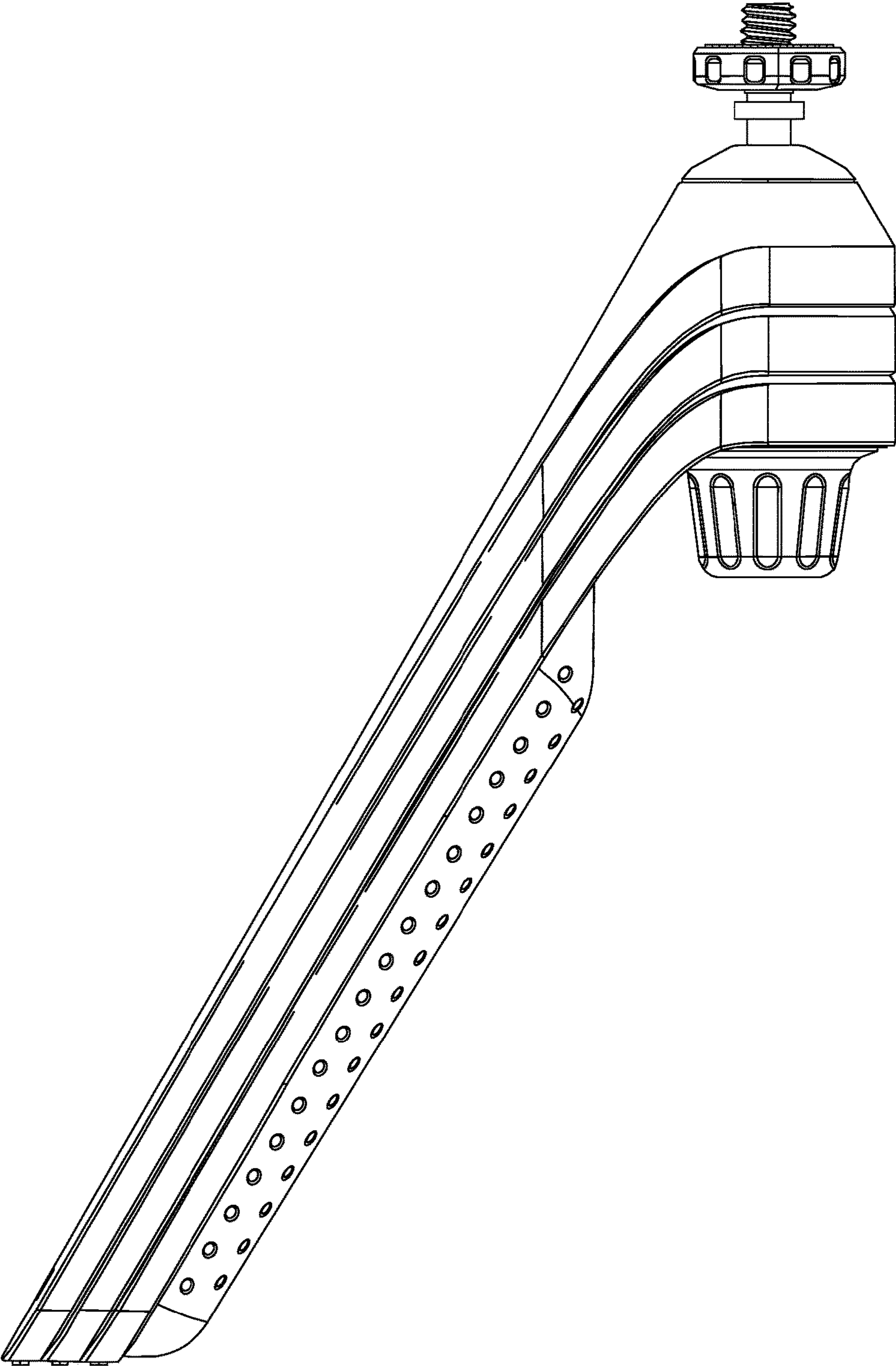


FIG. 5

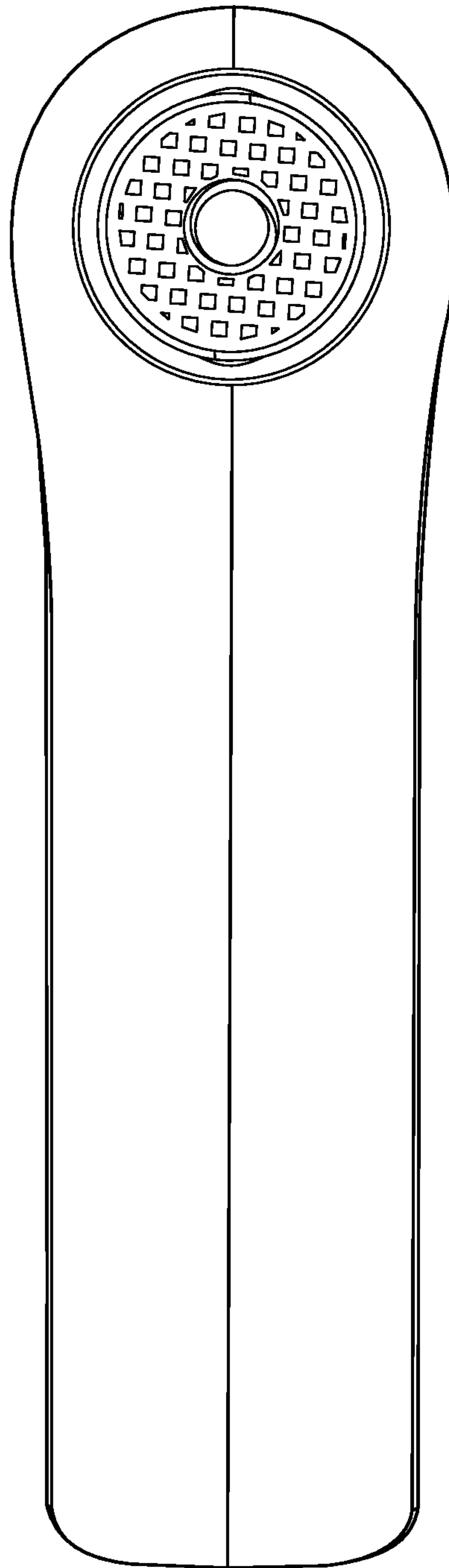


FIG. 6



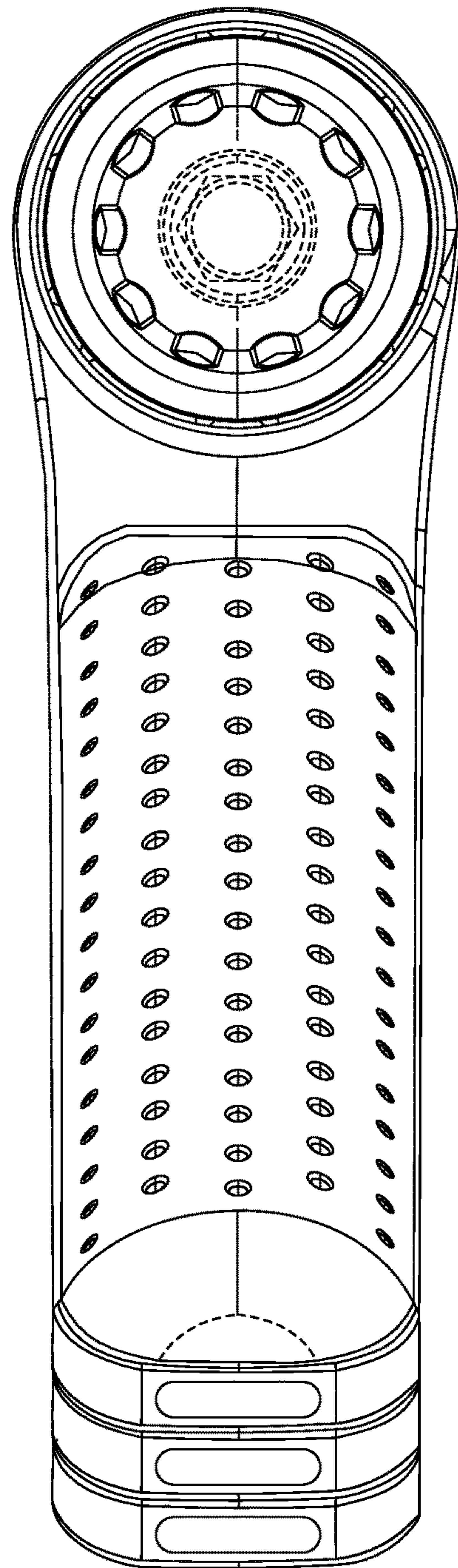


FIG. 7

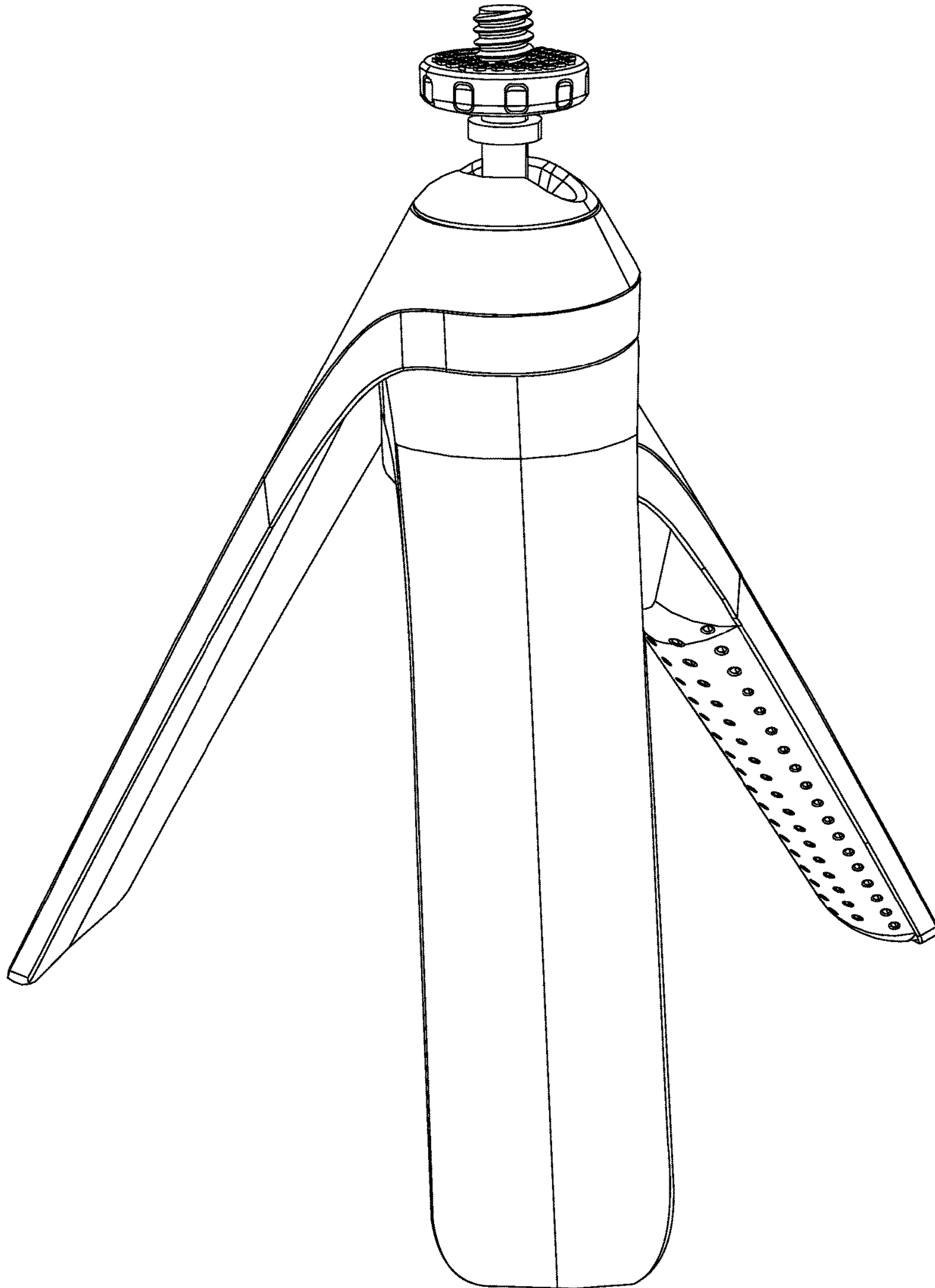


FIG. 8

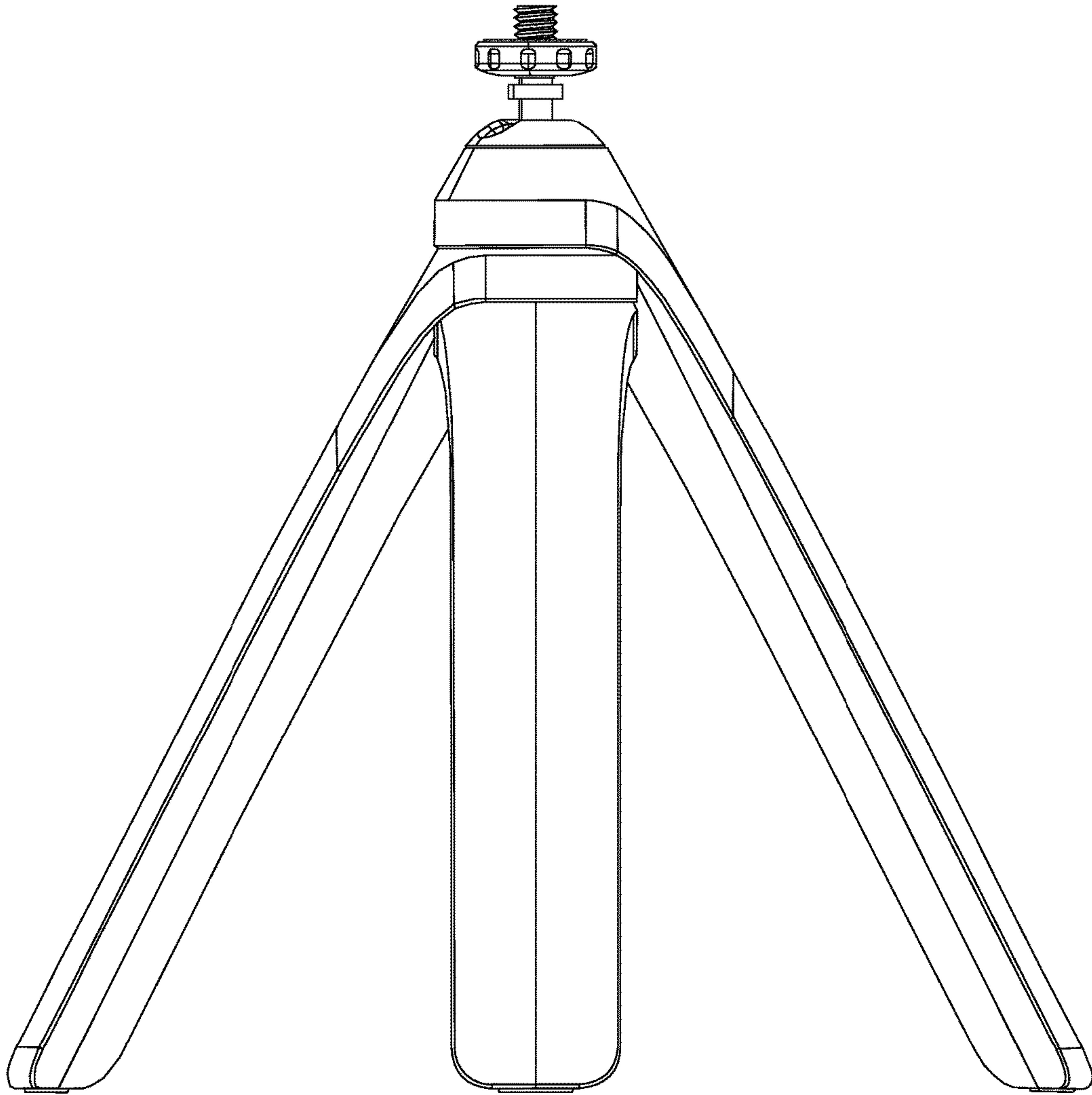


FIG. 9

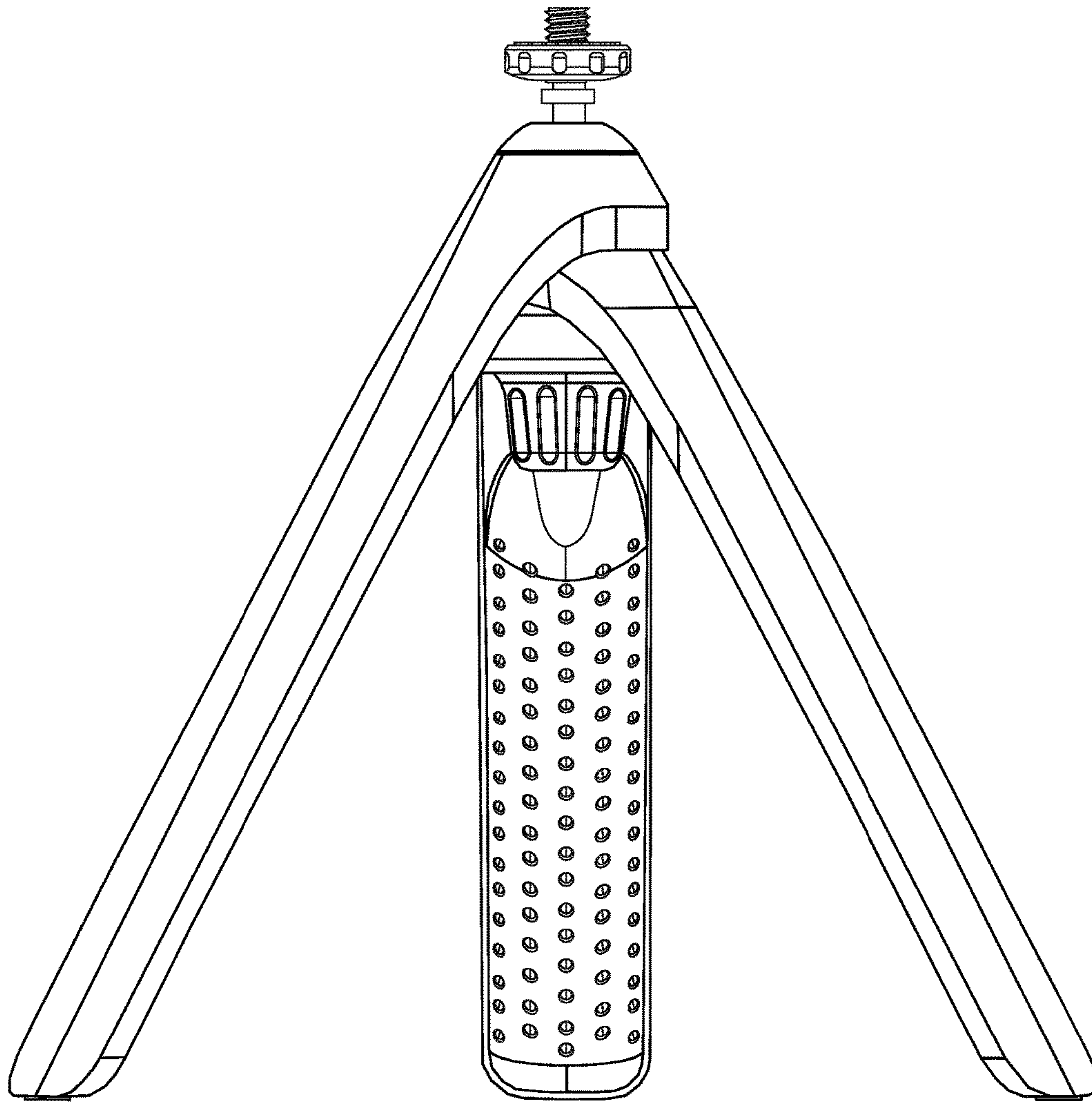


FIG. 10

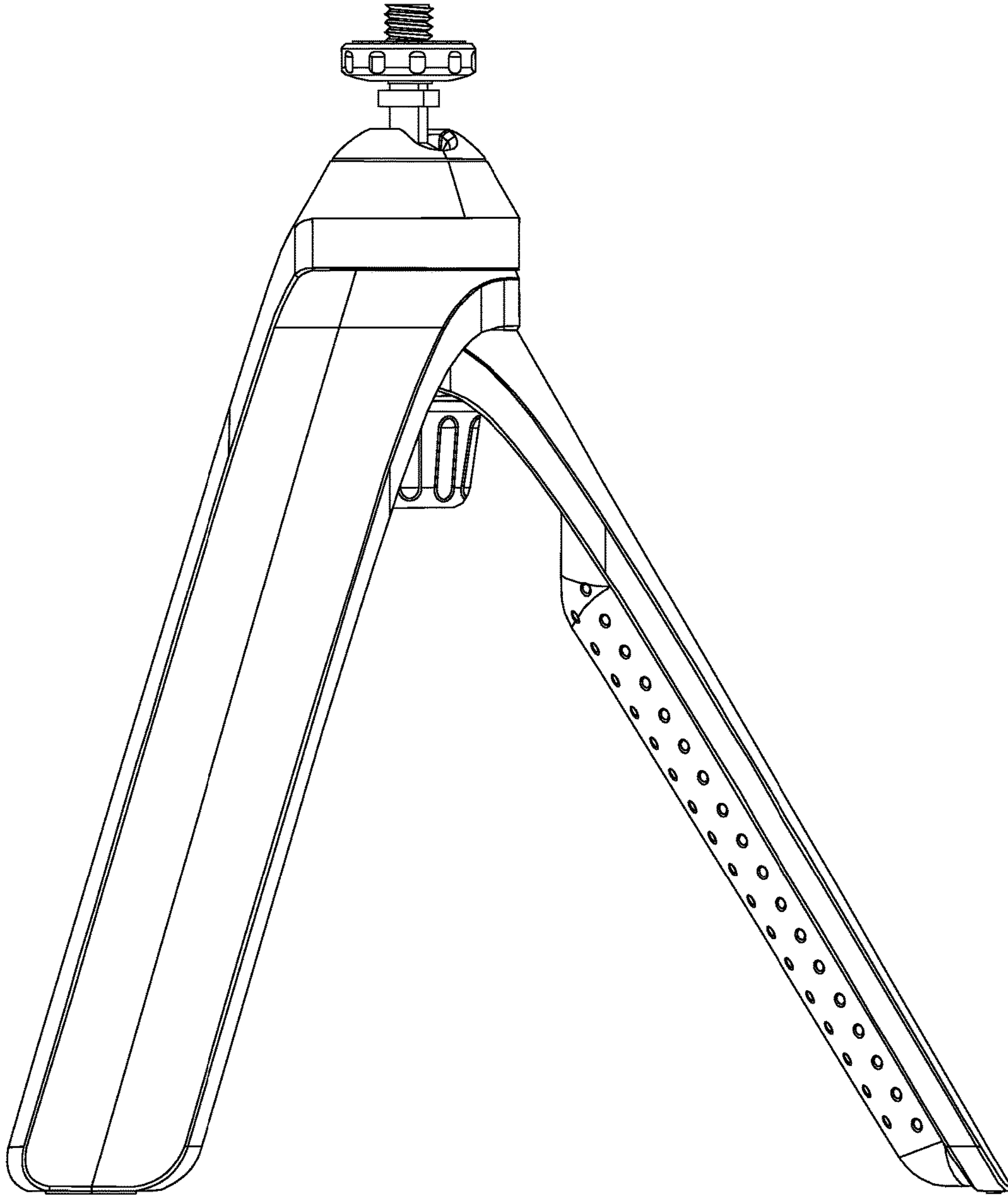


FIG. 11



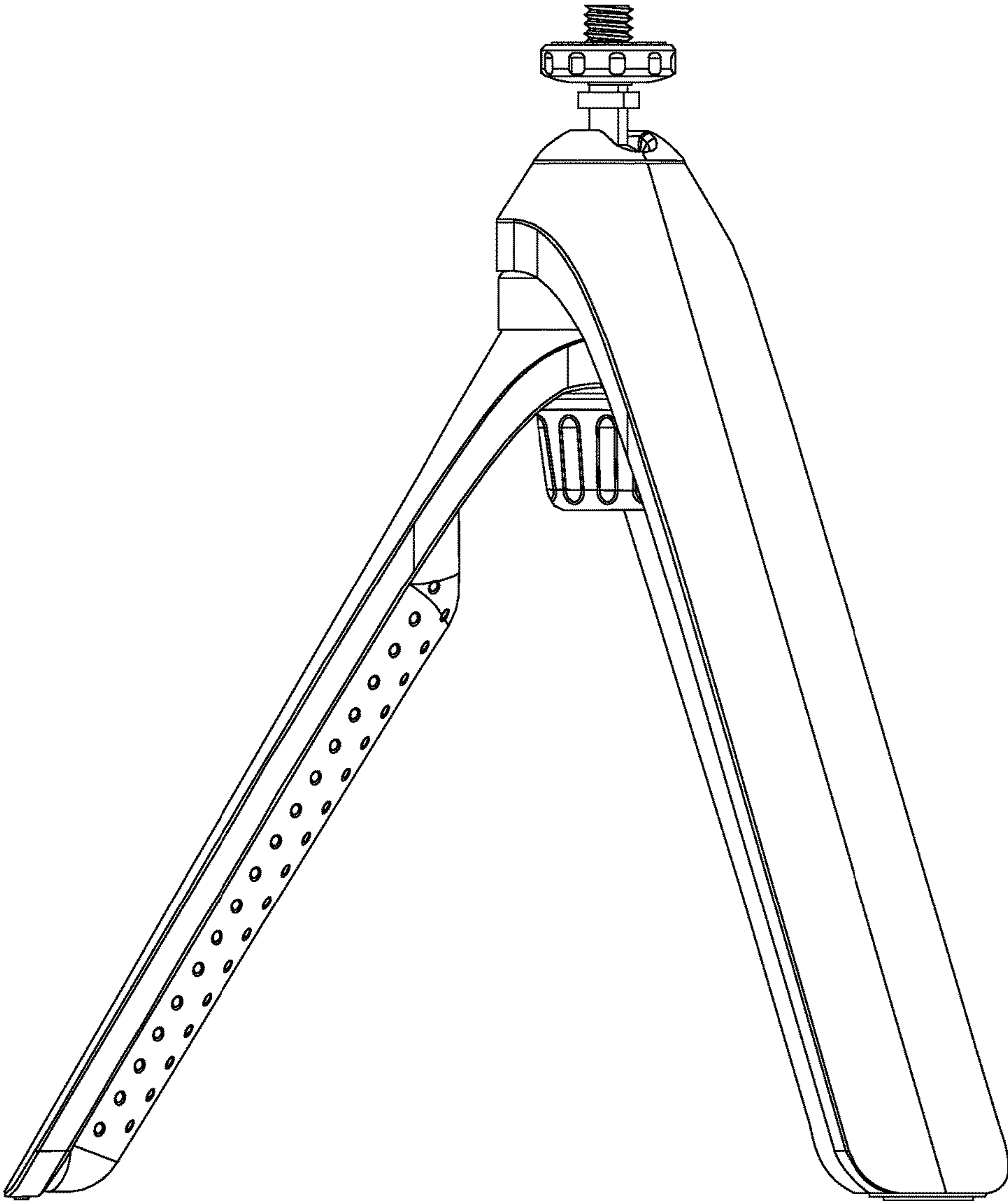


FIG. 12

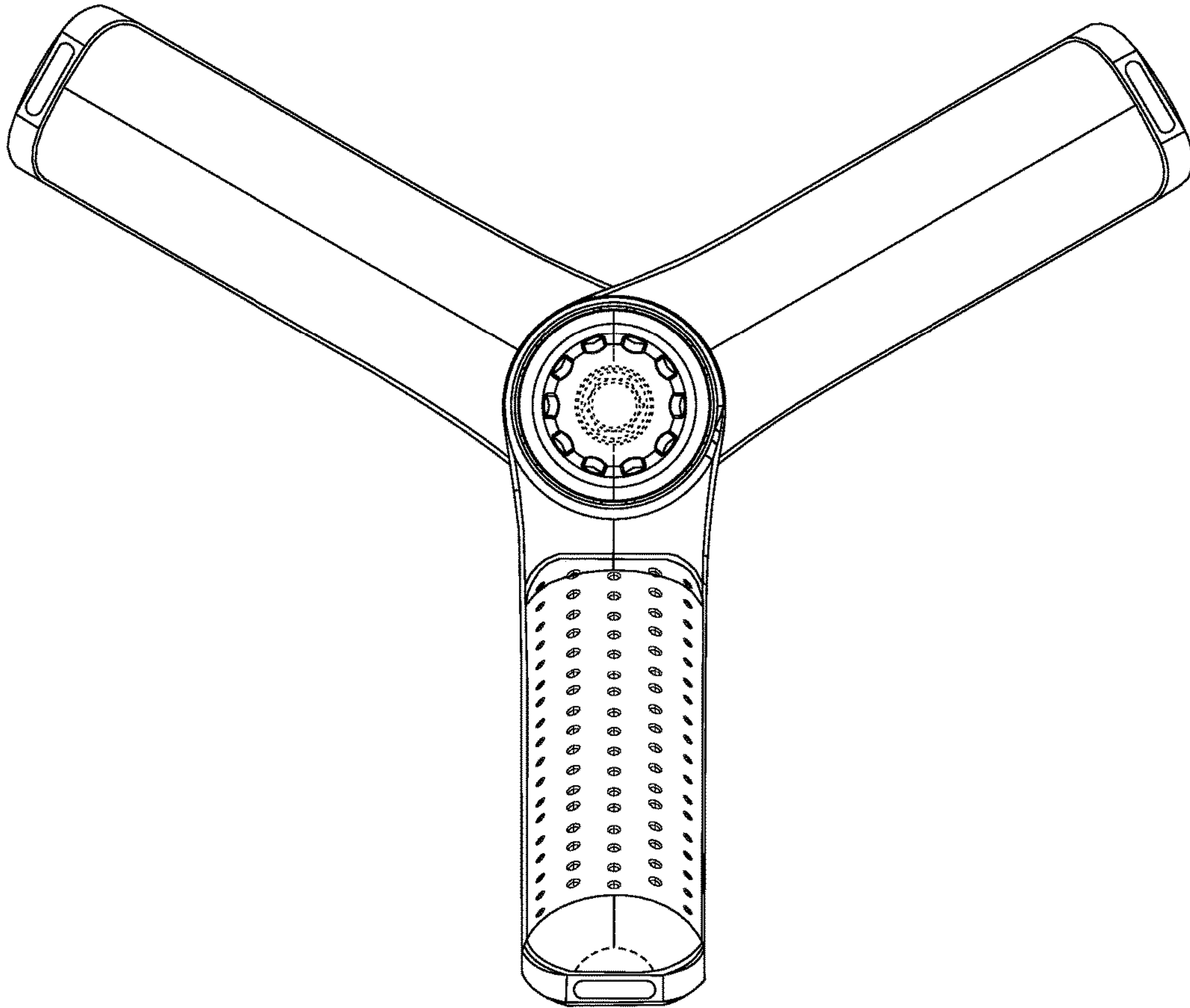


FIG. 13

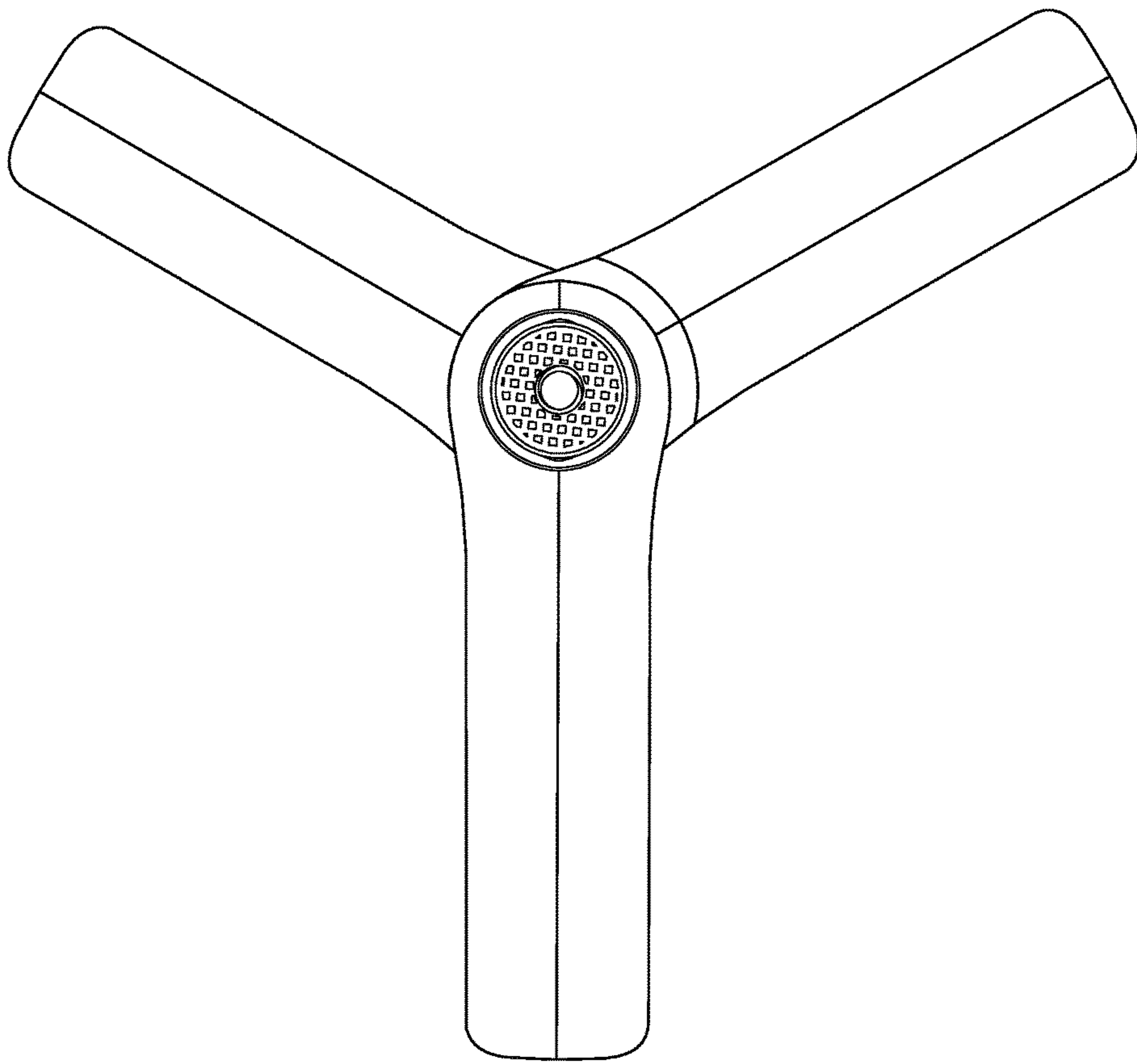


FIG. 14