



US00D794697S

(12) **United States Design Patent** (10) **Patent No.:** **US D794,697 S**  
**Goodwin et al.** (45) **Date of Patent:** **\*\* Aug. 15, 2017**

(54) **EXPANSION MODULE FOR A CAMERA**

6,480,671 B2 11/2002 Takahashi et al.  
D474,185 S \* 5/2003 Goto ..... D14/433  
D584,732 S \* 1/2009 Cho ..... D14/434

(71) Applicant: **Avant Technology, Inc.**, Pflugerville,  
TX (US)

(Continued)

(72) Inventors: **Paul M. Goodwin**, Austin, TX (US);  
**Justin M. Goodwin**, Austin, TX (US)

FOREIGN PATENT DOCUMENTS

(73) Assignee: **Avant Technology, Inc.**, Pflugerville,  
TX (US)

JP 2000-032307 8/2001  
JP 2004-104632 11/2004

(Continued)

(\*\*) Term: **15 Years**

OTHER PUBLICATIONS

(21) Appl. No.: **29/538,189**

cyclingnews.com; Interbike Show—Las Vegas, Nevada, USA Sep.  
22-26, 2008, Interbike bits and baubles, Part 19, Oct. 21, 2008.

(22) Filed: **Sep. 1, 2015**

(Continued)

(51) **LOC (10) Cl.** ..... **16-05**

(52) **U.S. Cl.**

USPC ..... **D16/237**; D14/434

(58) **Field of Classification Search**

USPC ..... D14/367, 432, 433, 434, 435, 471, 483,  
D14/496, 217, 256, 299, 313, 348,  
D14/356-358; D13/103, 107, 108, 118,  
D13/119, 146, 199; D16/219, 250, 237;  
D18/12

CPC ..... H04N 5/222; H04N 5/225; H04N 5/2257;  
G03B 17/00; G03B 17/02; G03B 21/00;  
G03B 2215/056; G06F 1/1632

See application file for complete search history.

*Primary Examiner* — Marianne Pandozzi

*Assistant Examiner* — Marie Fast Horse

(74) *Attorney, Agent, or Firm* — D. Scott Hemingway;  
Hemingway & Hansen, LLP

(57)

**CLAIM**

The ornamental design for an expansion module for a  
camera, as shown and described.

**DESCRIPTION**

FIG. 1 is a front, top, and right side perspective view of an  
expansion module for a camera showing our new design;  
FIG. 2 is a rear, bottom and left side perspective view  
thereof;

FIG. 3 is a rear, bottom, and right side perspective view  
thereof;

FIG. 4 is a rear elevation view thereof;

FIG. 5 is a front elevation view thereof;

FIG. 6 is a right side elevation view thereof;

FIG. 7 is a left side elevation view thereof;

FIG. 8 is a top plan view thereof; and,

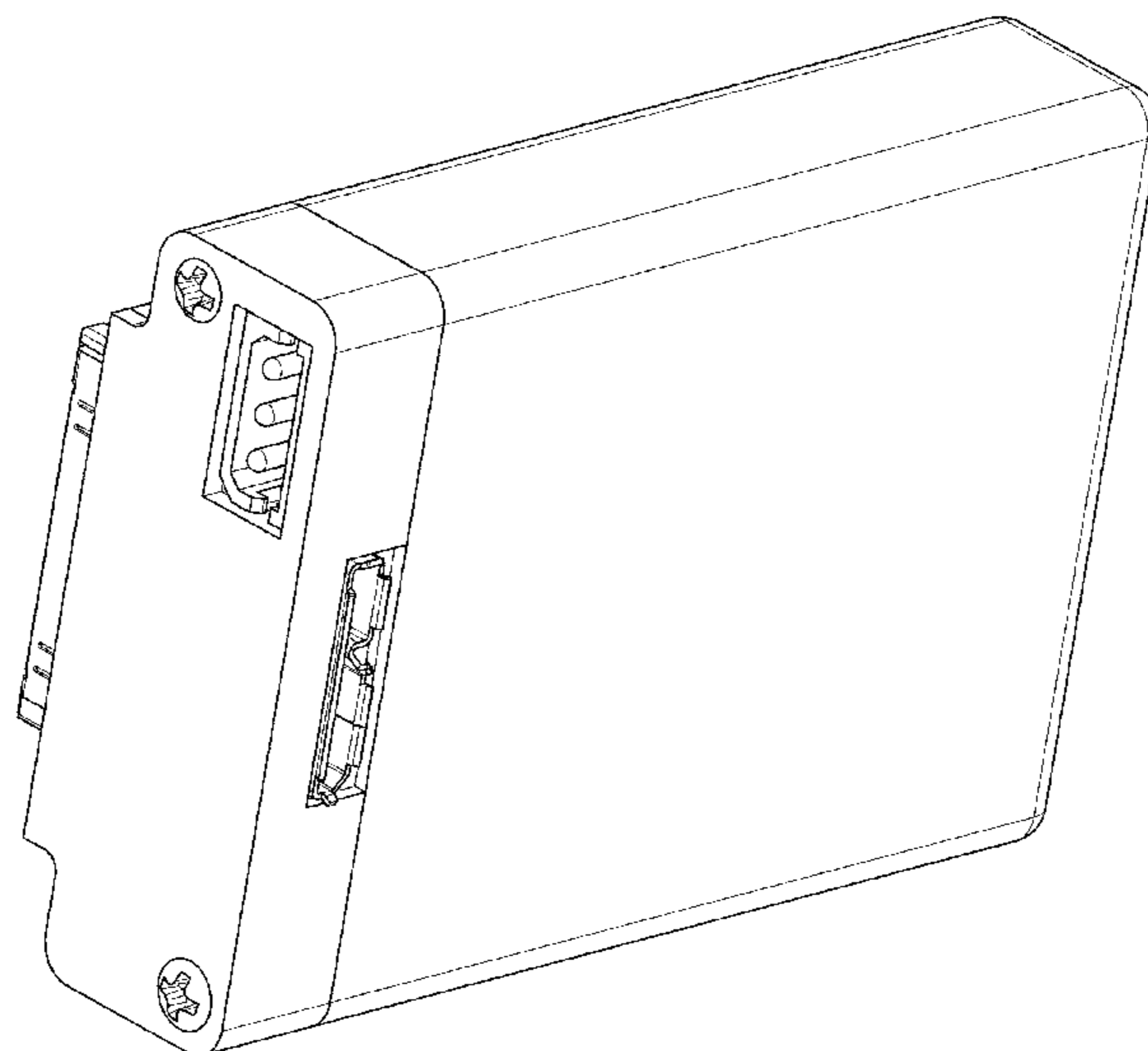
FIG. 9 is a bottom plan view thereof.

**1 Claim, 9 Drawing Sheets**

(56) **References Cited**

U.S. PATENT DOCUMENTS

D257,345 S \* 10/1980 Levy ..... D14/435  
D327,880 S \* 7/1992 Lou ..... D13/147  
5,294,988 A 3/1994 Wakabayashi et al.  
D349,723 S \* 8/1994 Ujita ..... D18/12  
D366,472 S \* 1/1996 Youens ..... D14/367  
5,563,661 A 10/1996 Takahashi et al.  
5,969,750 A 10/1999 Hsich et al.  
D452,495 S \* 12/2001 Murnaghan ..... D14/242  
D452,496 S \* 12/2001 Murnaghan ..... D14/242  
D457,521 S \* 5/2002 Sherry ..... D14/367



(56)

References Cited

U.S. PATENT DOCUMENTS

D586,348 S \* 2/2009 Leung ..... D12/415  
 7,612,821 B1 11/2009 Hsia  
 8,013,932 B2 9/2011 Chan  
 D659,694 S \* 5/2012 Sumita ..... D14/356  
 8,189,098 B2 5/2012 Maruyama et al.  
 8,199,251 B2 6/2012 Woodman  
 8,325,270 B2 12/2012 Woodman  
 D675,208 S \* 1/2013 Petrick ..... D13/107  
 D679,712 S \* 4/2013 McParland ..... D14/434  
 D679,713 S \* 4/2013 McParland ..... D14/434  
 D682,278 S \* 5/2013 Carnevali ..... D14/434  
 8,437,630 B2 5/2013 Wessner  
 D691,608 S \* 10/2013 Samuels ..... D14/434  
 D691,609 S \* 10/2013 Woodman ..... D14/434  
 8,638,392 B2 1/2014 Woodman  
 D698,790 S \* 2/2014 Samuels ..... D14/434  
 D698,791 S \* 2/2014 Woodman ..... D14/434  
 8,792,050 B2 7/2014 Shinohara et al.  
 8,837,928 B1 9/2014 Clearman et al.  
 D725,169 S \* 3/2015 Gioscia ..... D16/200  
 D727,908 S \* 4/2015 Samuels ..... D14/434  
 D727,909 S \* 4/2015 Woodman ..... D14/434  
 9,154,676 B1 10/2015 Musec et al.  
 D751,134 S \* 3/2016 Suzuki ..... D16/237  
 D755,182 S \* 5/2016 Bassett ..... D14/432  
 D762,565 S \* 8/2016 Akana ..... D13/103  
 D768,752 S \* 10/2016 Silver ..... D16/237

2001/0043281 A1 11/2001 Onuki et al.  
 2002/0101534 A1 8/2002 Liu  
 2003/0179306 A1 9/2003 Lee  
 2004/0076415 A1 4/2004 Da Silva  
 2006/0015664 A1 1/2006 Zhang  
 2006/0055820 A1 3/2006 Lyon et al.  
 2006/0066753 A1 3/2006 Gennetten et al.  
 2006/0098966 A1 5/2006 Takahashi et al.  
 2006/0146176 A1 7/2006 Kato et al.  
 2007/0071423 A1 3/2007 Fantone et al.  
 2007/0268382 A1 11/2007 Shiomi  
 2008/0089678 A1 4/2008 Suzuki  
 2008/0156509 A1 7/2008 Ikeo  
 2014/0104488 A1\* 4/2014 Samuels ..... H04N 5/2252  
 348/374  
 2016/0191863 A1\* 6/2016 Minikey, Jr. .... H04N 7/185  
 348/148

FOREIGN PATENT DOCUMENTS

JP 2006-091399 11/2007  
 JP 2006-164799 12/2007  
 WO PCT/JP2008/072219 6/2009

OTHER PUBLICATIONS

International Search Report and Written Opinion, PCT/US2009/049821, Mar. 9, 2009.

\* cited by examiner

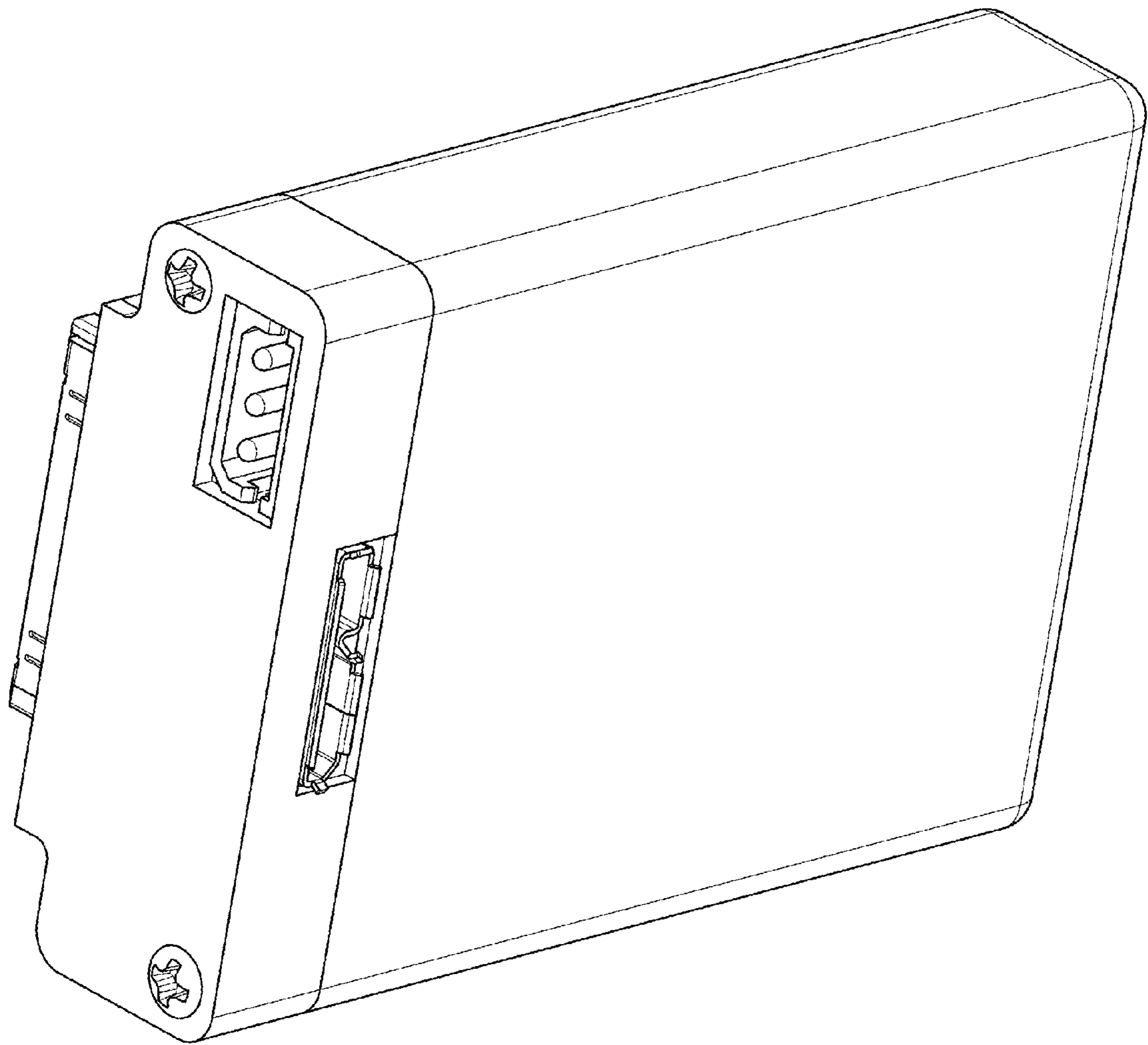


FIG. 1

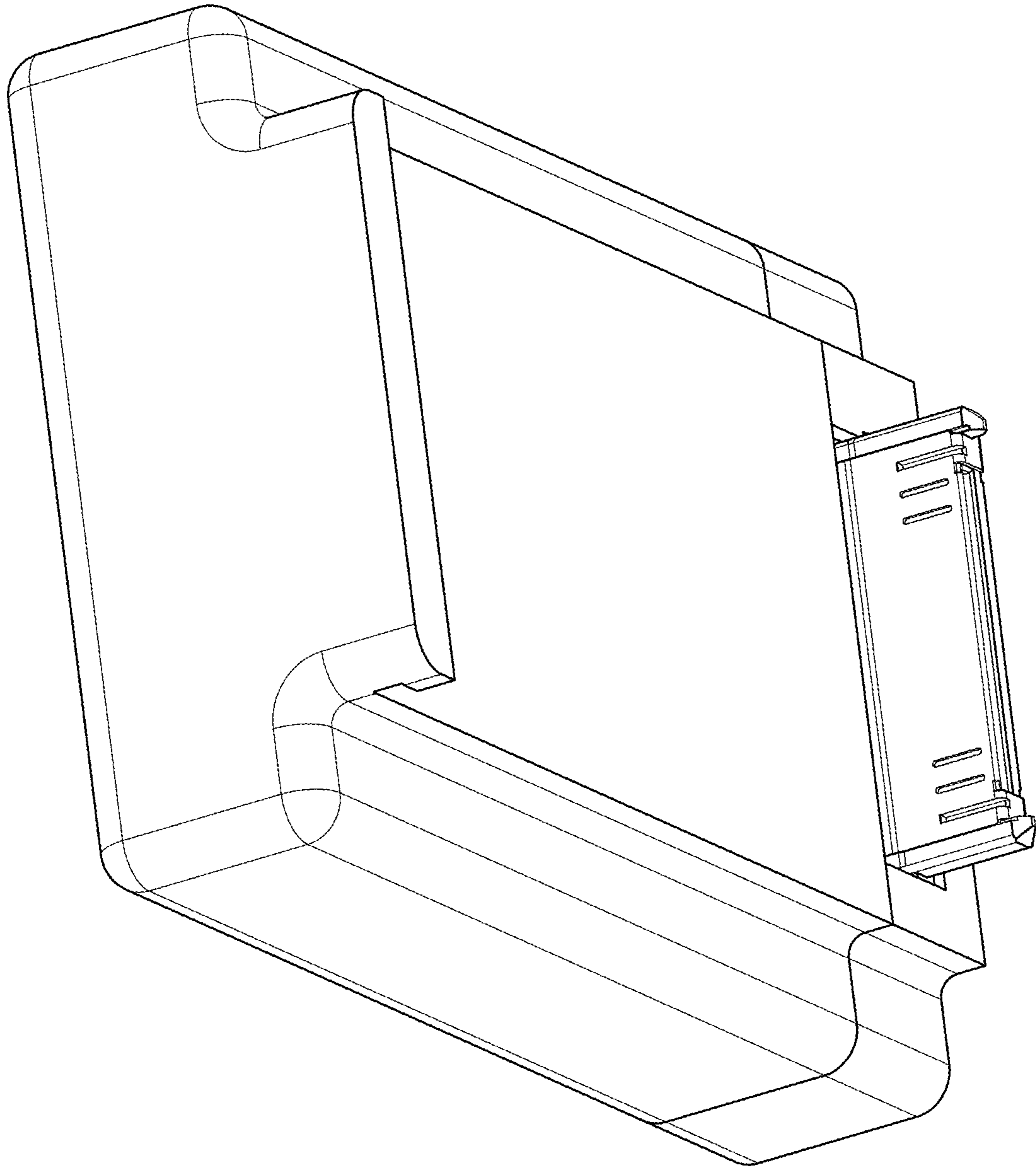


FIG. 2

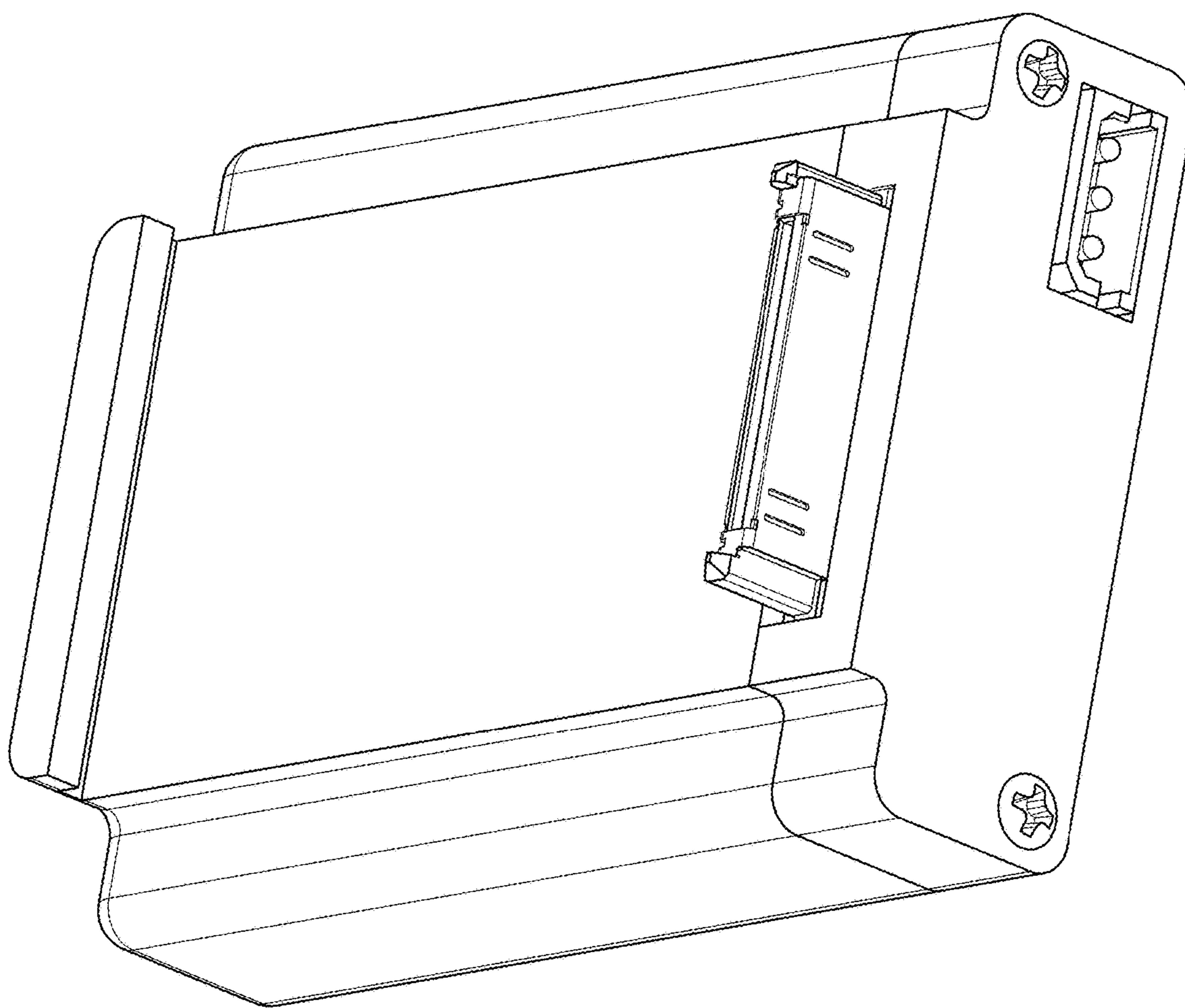


FIG. 3

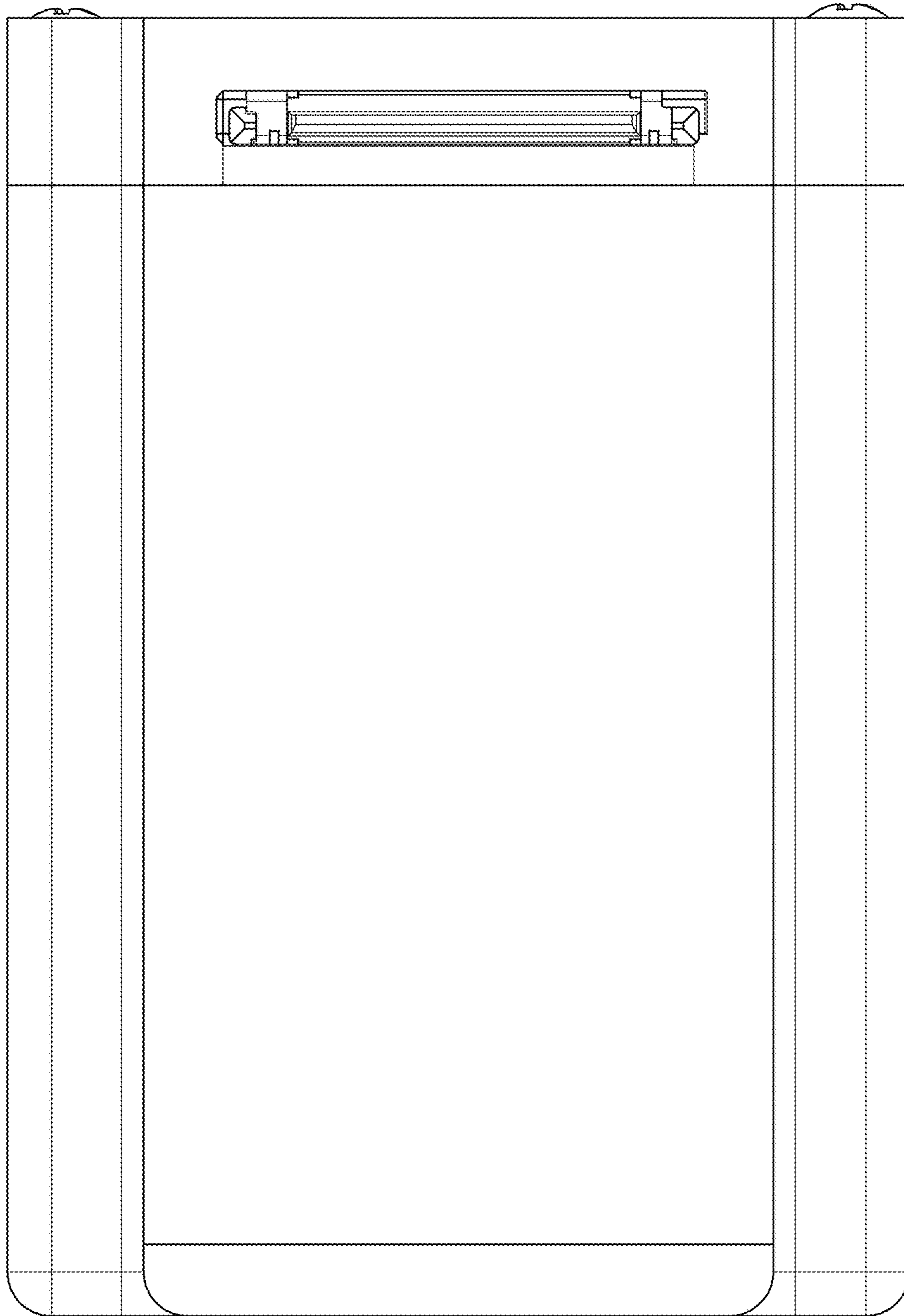


FIG. 4

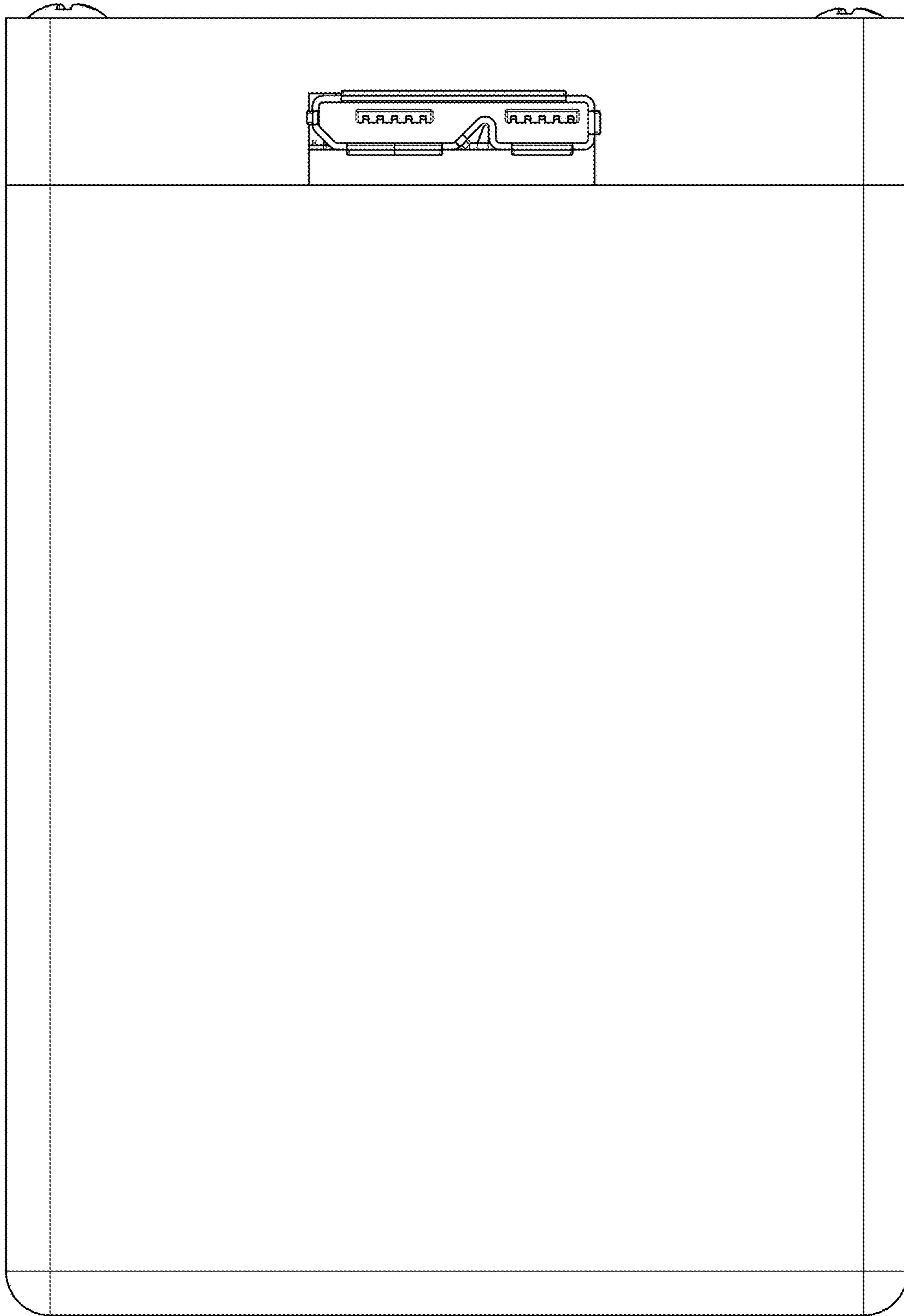


FIG. 5

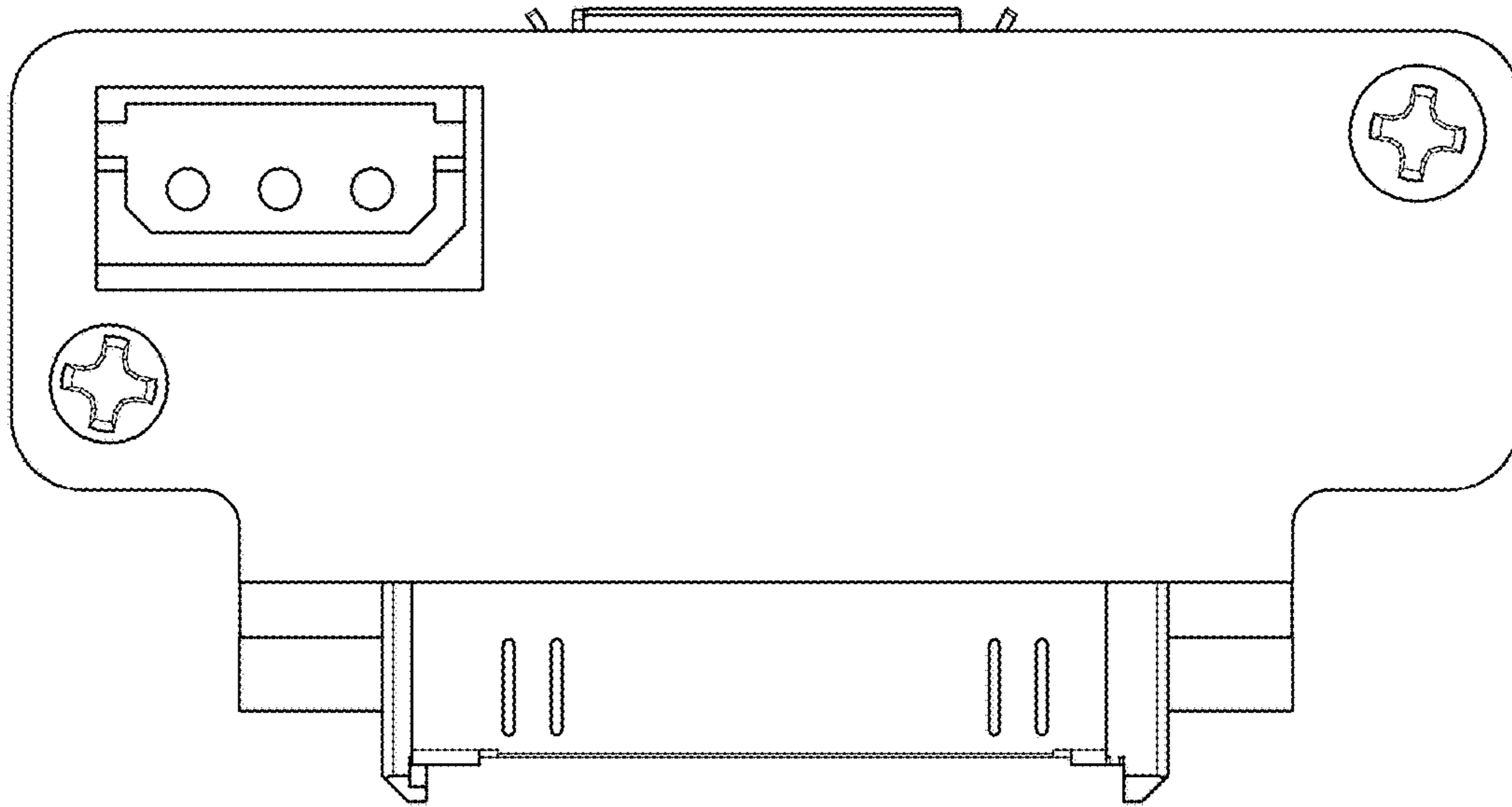


FIG. 6



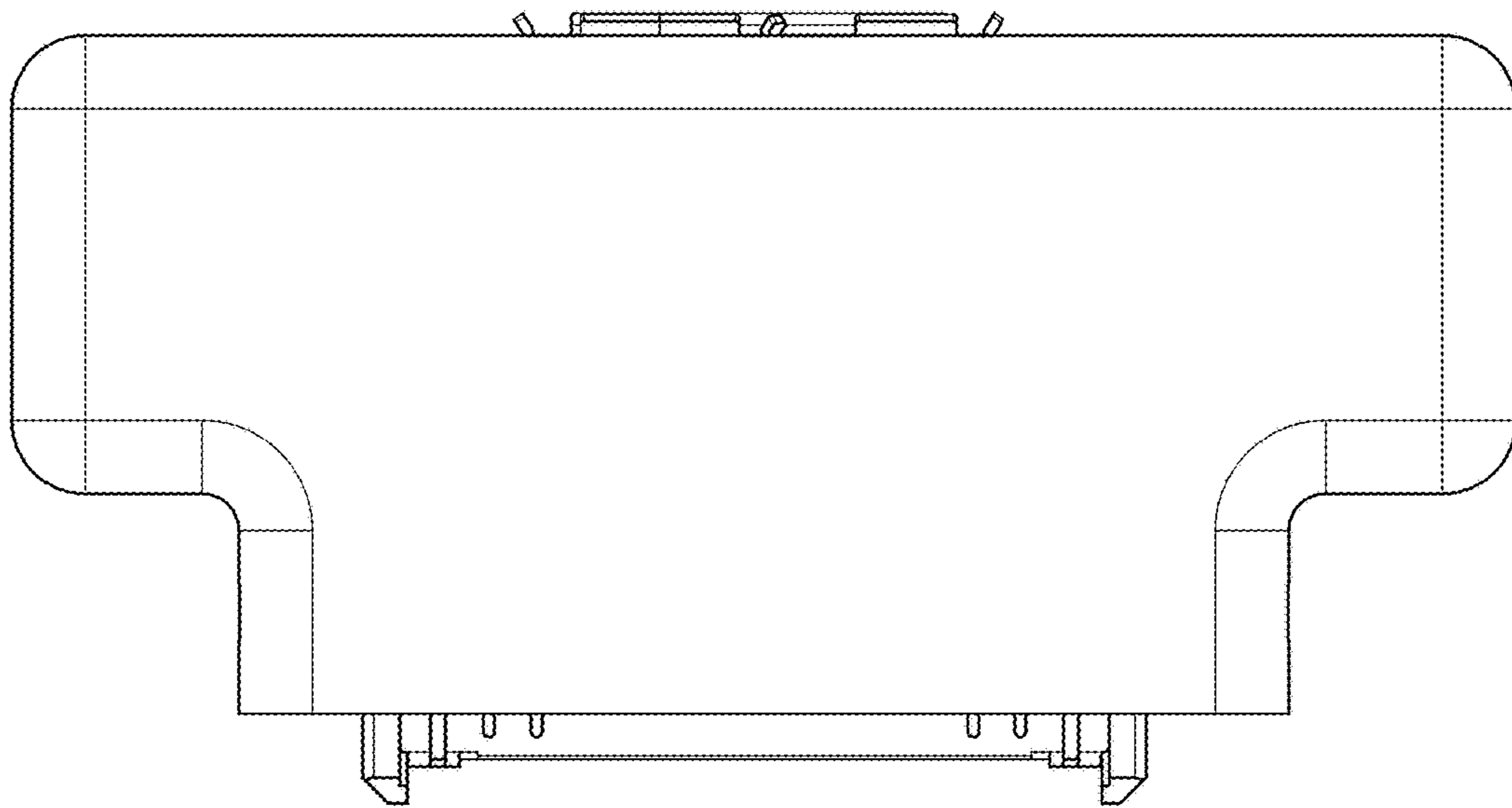


FIG. 7

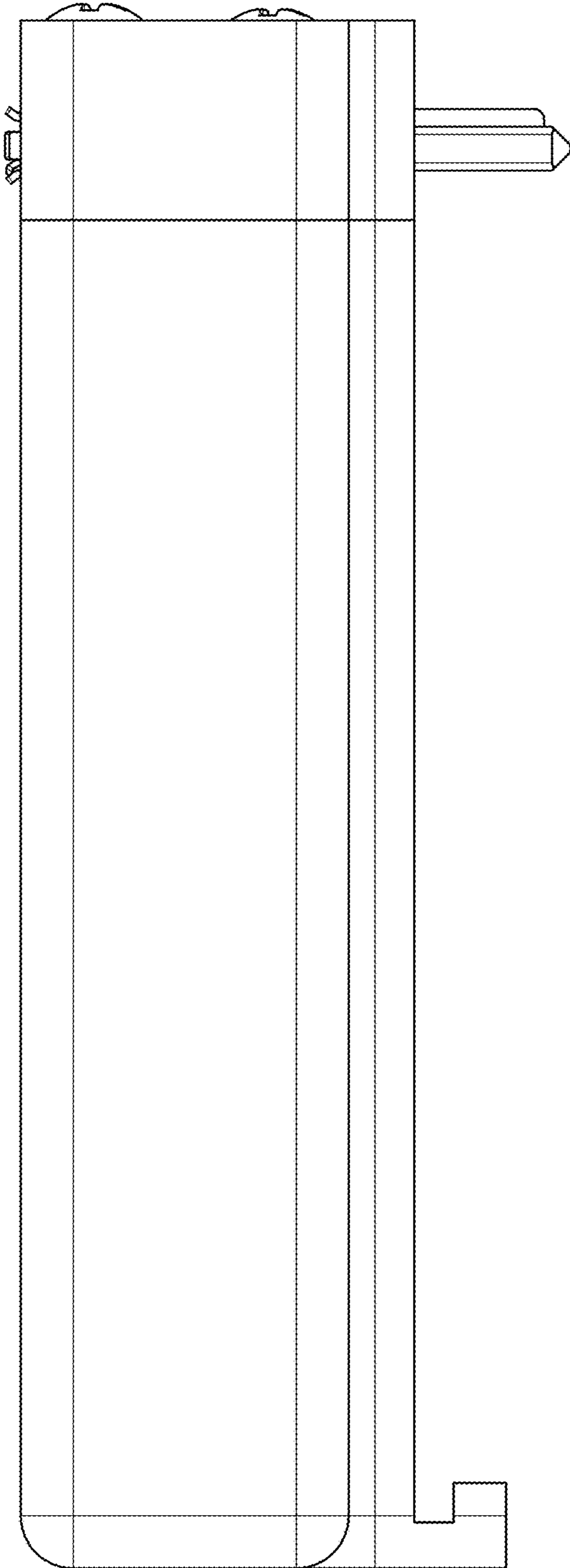


FIG. 8

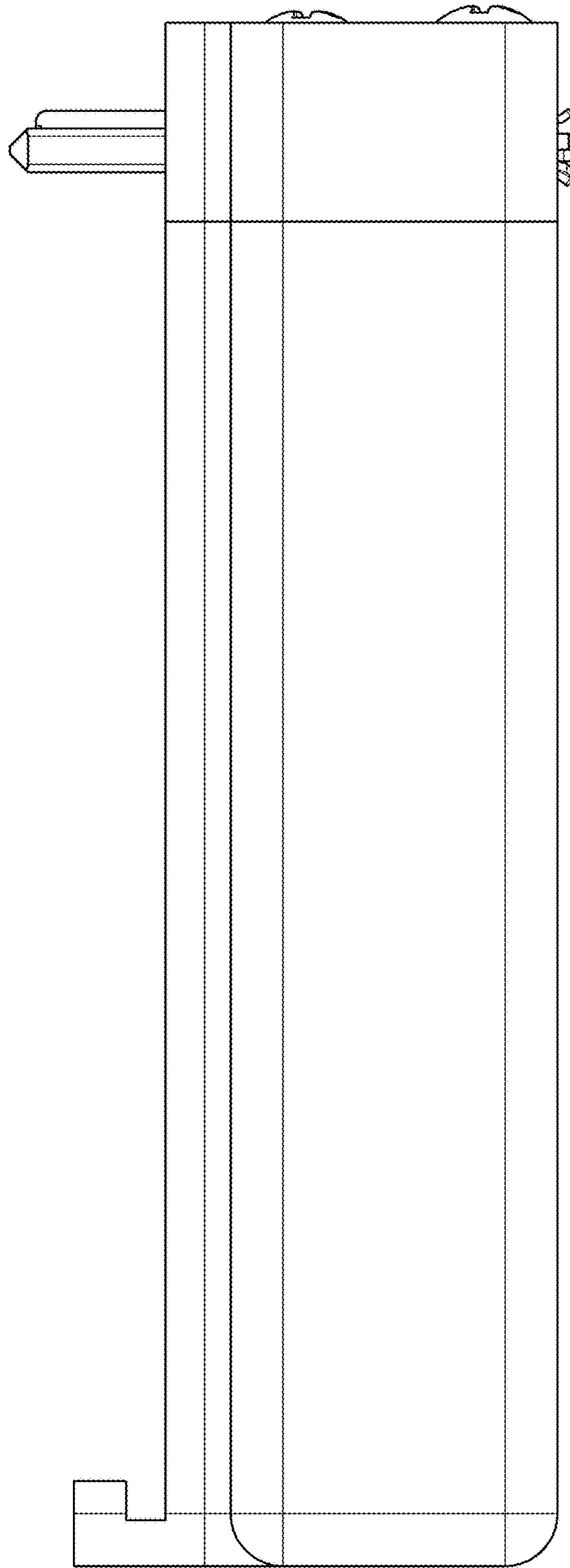


FIG. 9