

US00D794696S

(12) **United States Design Patent**
Nguyen et al.

(10) **Patent No.:** **US D794,696 S**

(45) **Date of Patent:** **** *Aug. 15, 2017**

(54) **CAMERA**

(71) Applicant: **GoPro, Inc.**, San Mateo, CA (US)

(72) Inventors: **Huy Phuong Nguyen**, San Mateo, CA (US); **Richard Gioscia**, Santa Clara, CA (US); **Quinn Jerome Odette Fitzgerald**, San Francisco, CA (US); **William Duncan Webb, II**, San Francisco, CA (US)

(73) Assignee: **GoPro, Inc.**, San Mateo, CA (US)

(*) Notice: This patent is subject to a terminal disclaimer.

(**) Term: **15 Years**

(21) Appl. No.: **29/576,880**

(22) Filed: **Sep. 7, 2016**

(51) **LOC (10) Cl.** **16-01**

(52) **U.S. Cl.**
USPC **D16/218**

(58) **Field of Classification Search**
USPC D16/200, 202–206, 208–209, 212, 218, D16/219; 348/373–376; 396/448, 535, 396/539–541
CPC G03B 15/03; G03B 17/02; G03B 17/04; G03B 17/56; G03B 19/04; H04N 5/2251; H04N 5/2252; H04N 5/2253; H04N 5/2254; H04N 2101/00

See application file for complete search history.

(56) **References Cited**

U.S. PATENT DOCUMENTS

8,014,656 B2 * 9/2011 Woodman B63B 25/002 396/25
8,544,643 B2 * 10/2013 Yim G03B 17/08 206/316.2

D710,922 S * 8/2014 Gioscia D16/200
D721,395 S * 1/2015 Woodman D16/218
D732,593 S * 6/2015 Woodman B63B 25/002 D16/200
D750,680 S * 3/2016 Chen D16/200
D750,686 S * 3/2016 Chen D16/218
D753,749 S * 4/2016 Zhu D16/202
D755,874 S * 5/2016 Yang D16/202
D758,467 S * 6/2016 Zhang D16/202
D769,346 S * 10/2016 Nguyen D16/218
D773,546 S * 12/2016 Nguyen D16/218
D775,254 S * 12/2016 Parfitt D16/202
D776,741 S * 1/2017 Parfitt D16/204

* cited by examiner

Primary Examiner — Philip S Hyder

Assistant Examiner — Ramzi Almatrahi

(74) *Attorney, Agent, or Firm* — Fenwick & West LLP

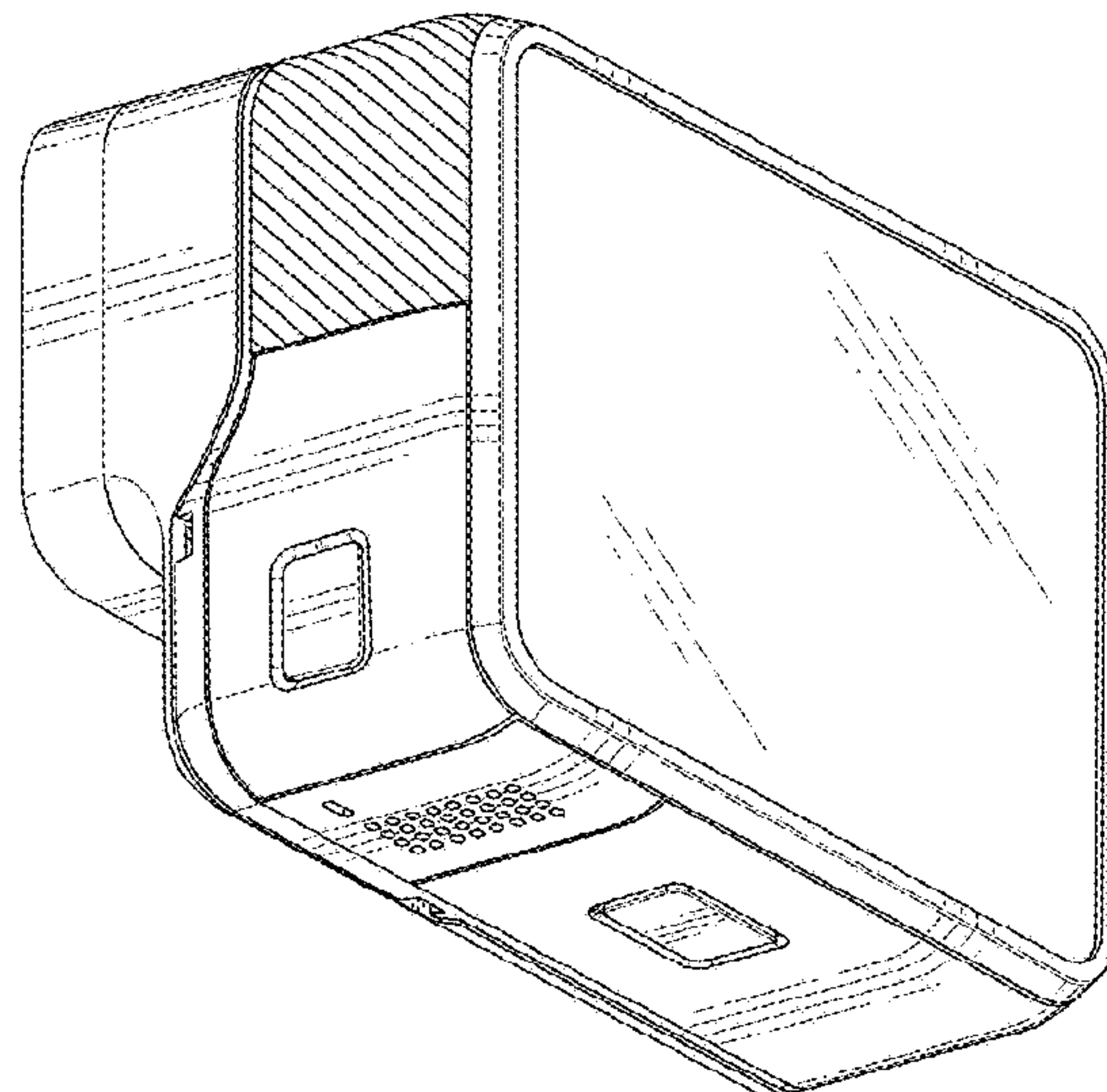
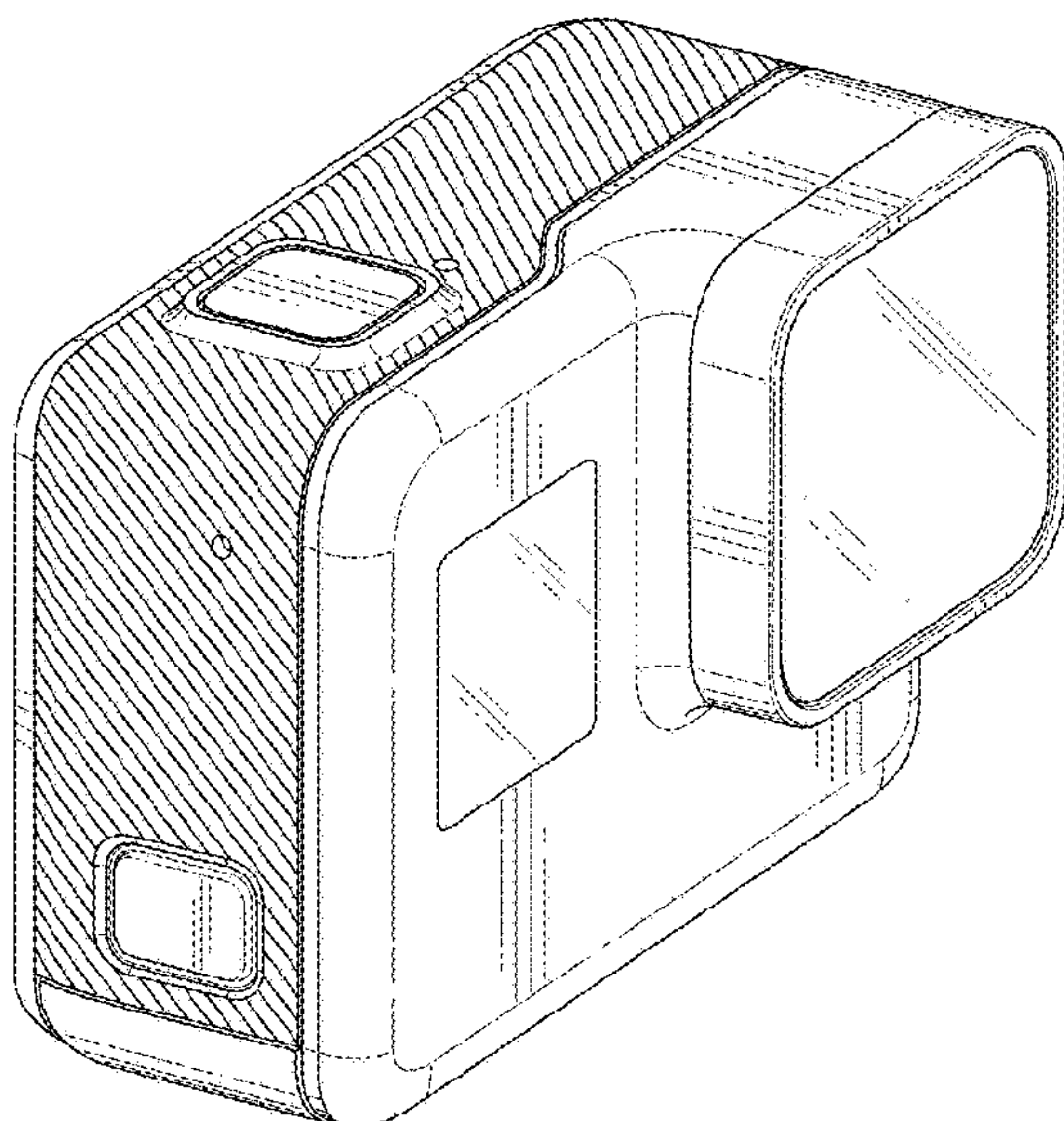
(57) **CLAIM**

The ornamental design for a camera, as shown and described.

DESCRIPTION

FIG. 1 is a front, top, and left side perspective view of a camera showing our new design;
FIG. 2 is a rear, bottom, and right side perspective view thereof;
FIG. 3 is a front, top, and right side perspective view thereof;
FIG. 4 is a rear, bottom, and left side perspective view thereof;
FIG. 5 is a front elevational view thereof;
FIG. 6 is a rear elevational view thereof;
FIG. 7 is a left side elevational view thereof;
FIG. 8 is a right side elevational view thereof;
FIG. 9 is a top plan view thereof; and,
FIG. 10 is a bottom plan view thereof.

1 Claim, 10 Drawing Sheets



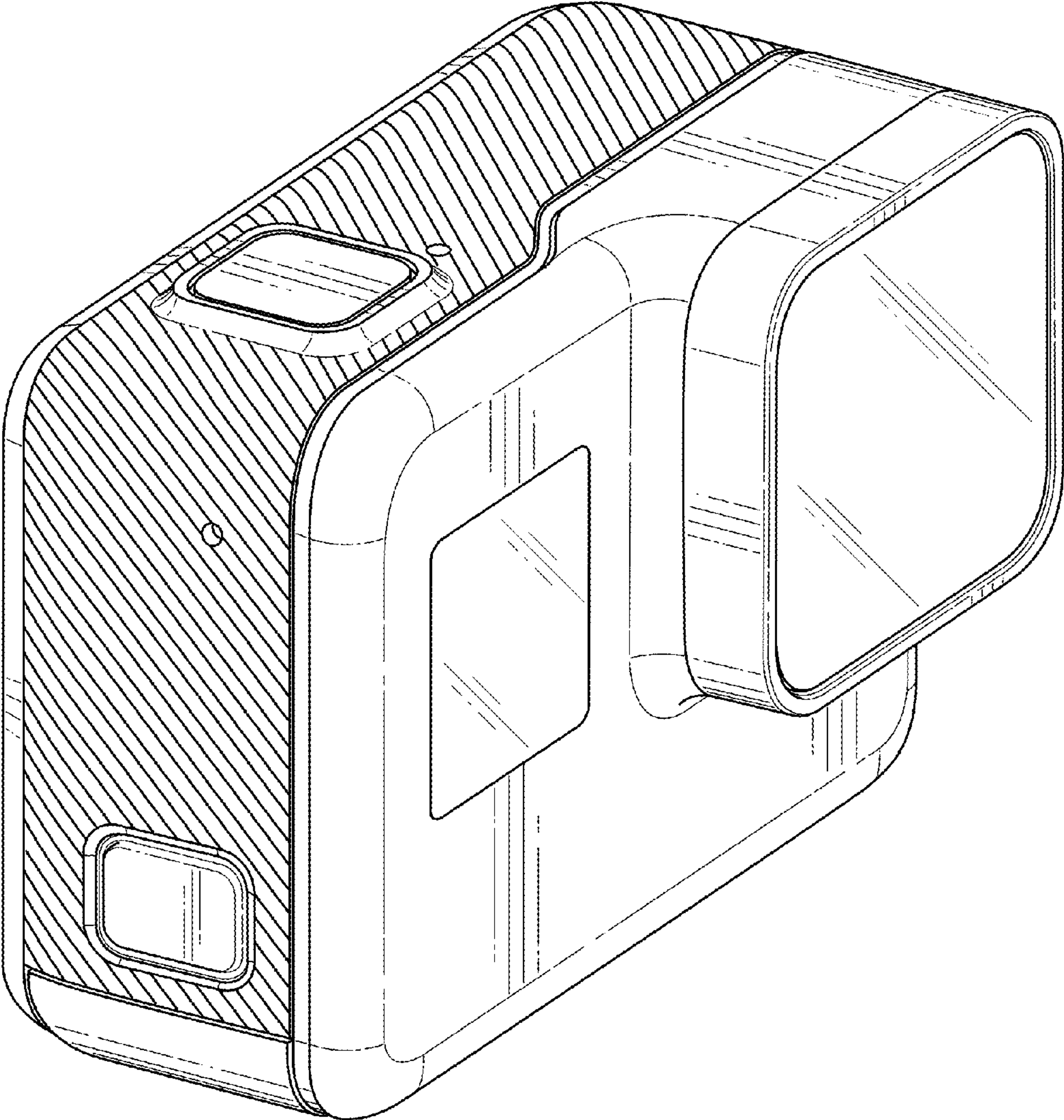


FIG. 1

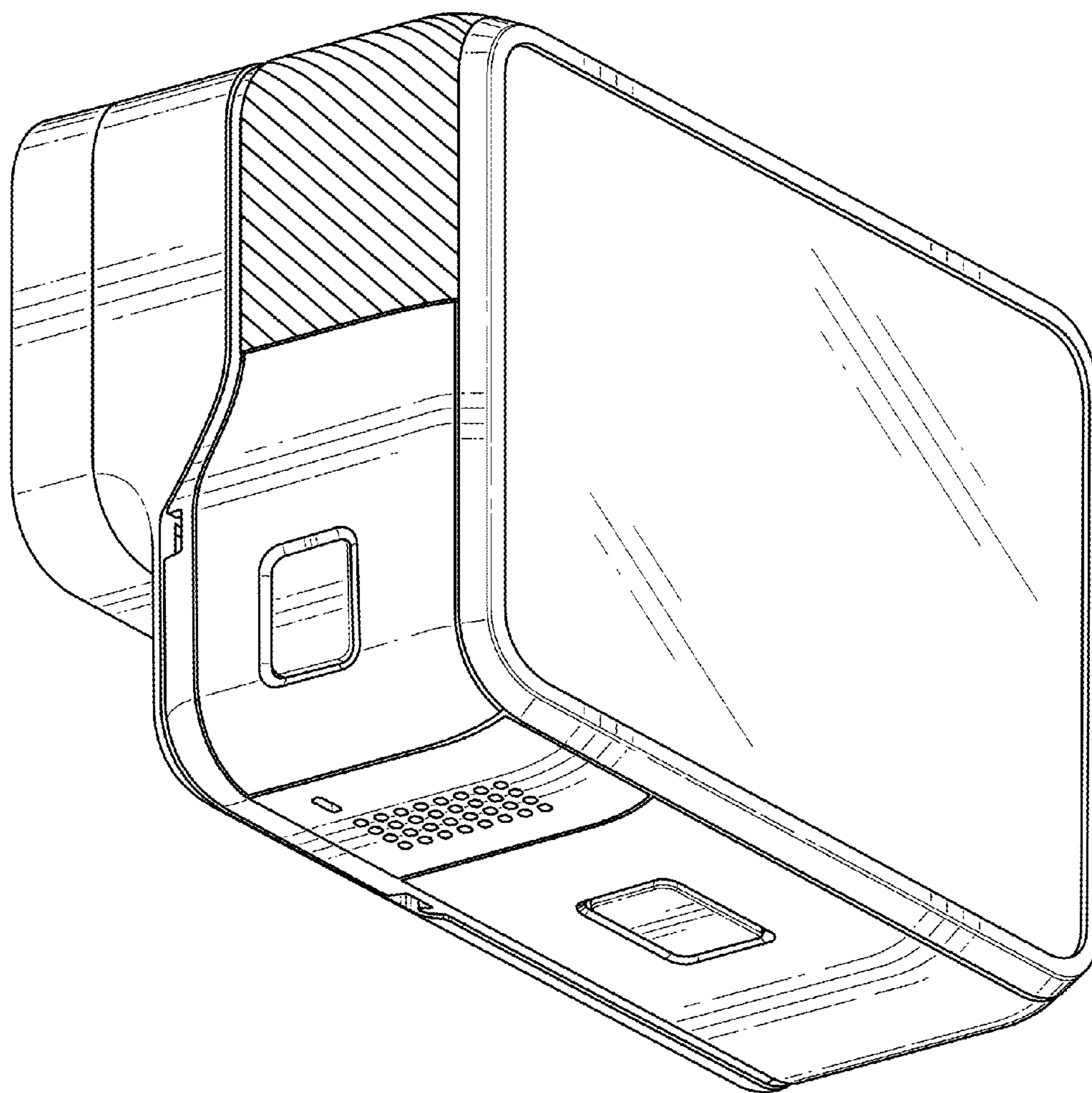


FIG. 2

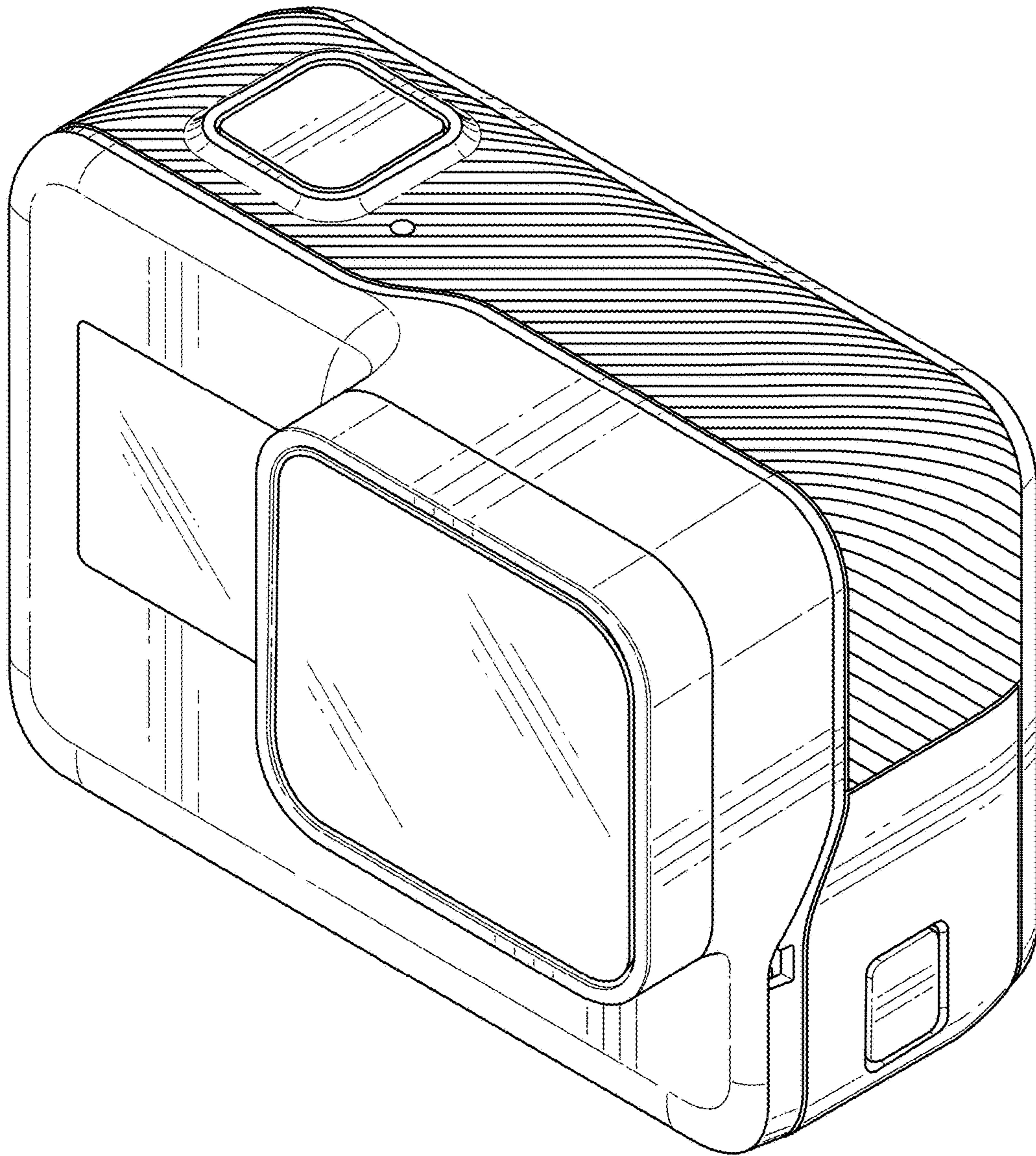


FIG. 3

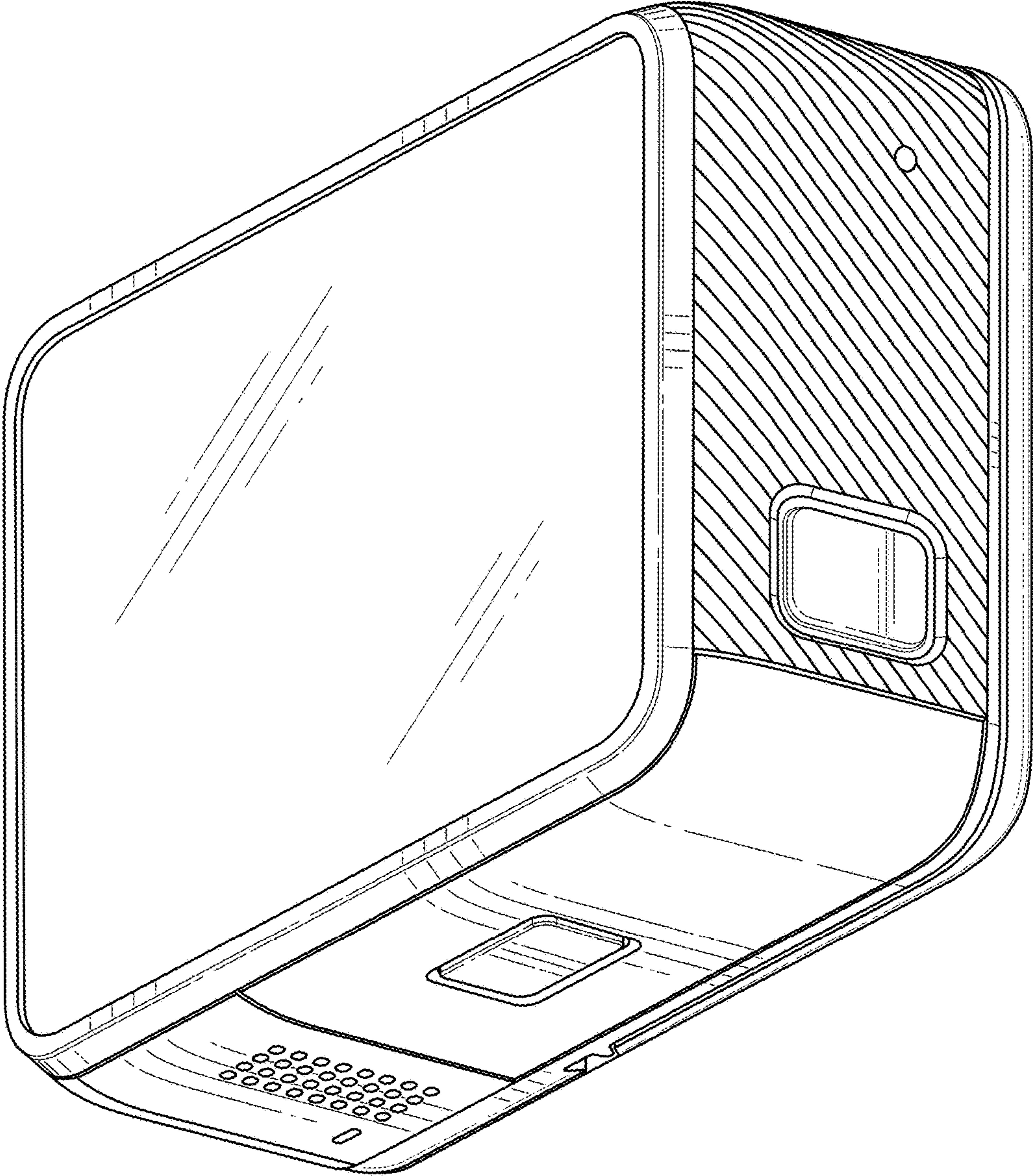


FIG. 4

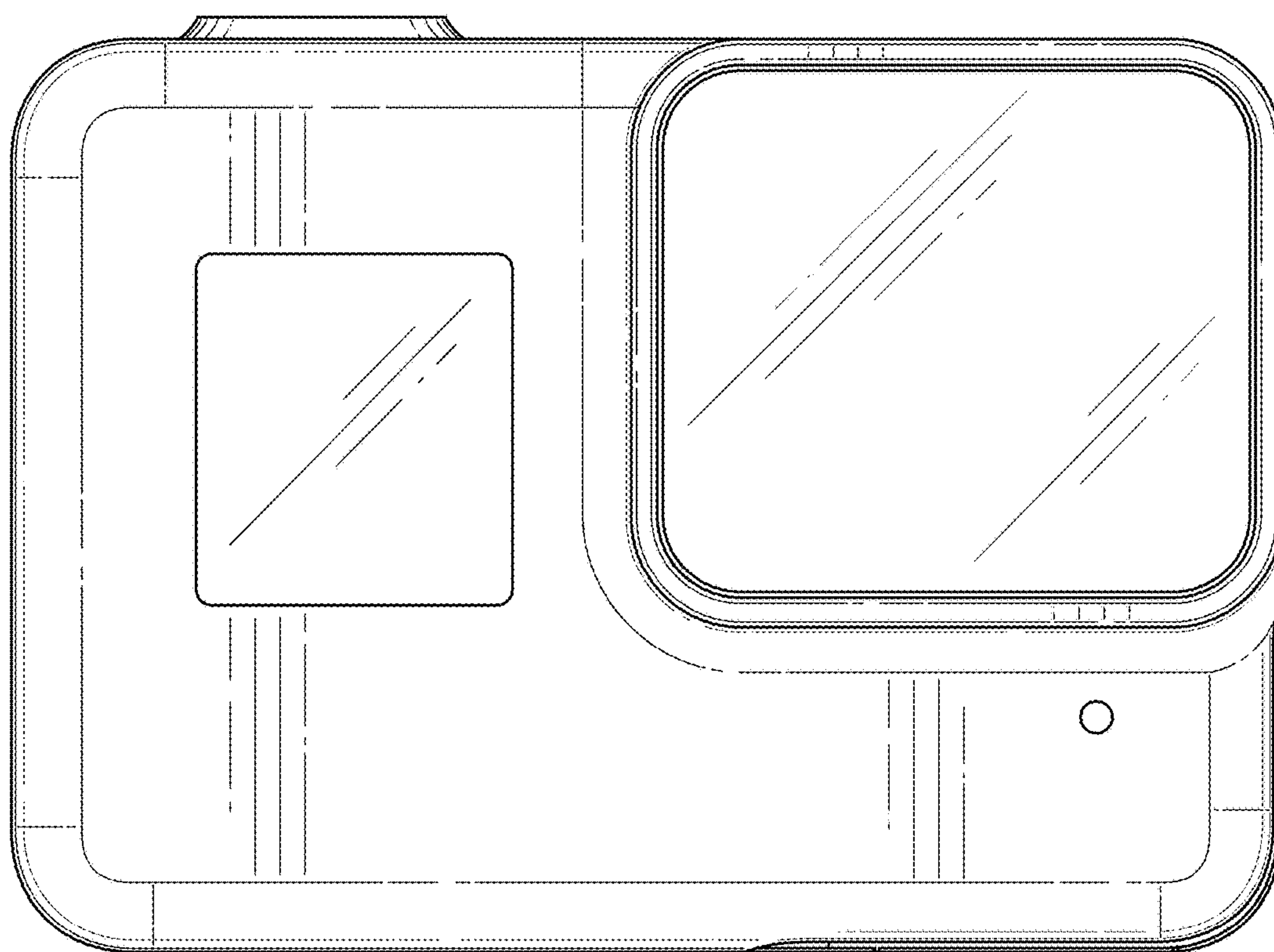


FIG. 5

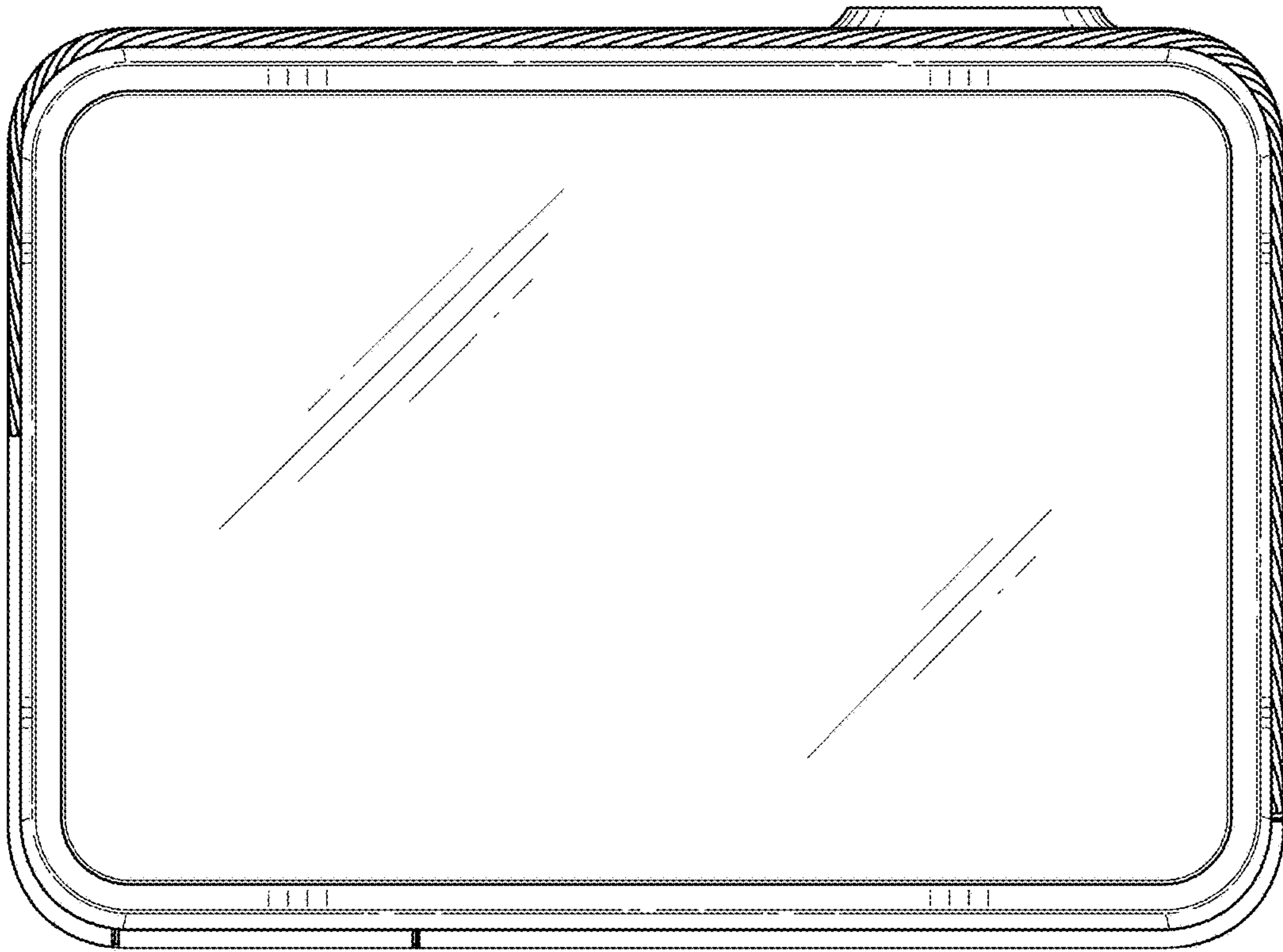


FIG. 6

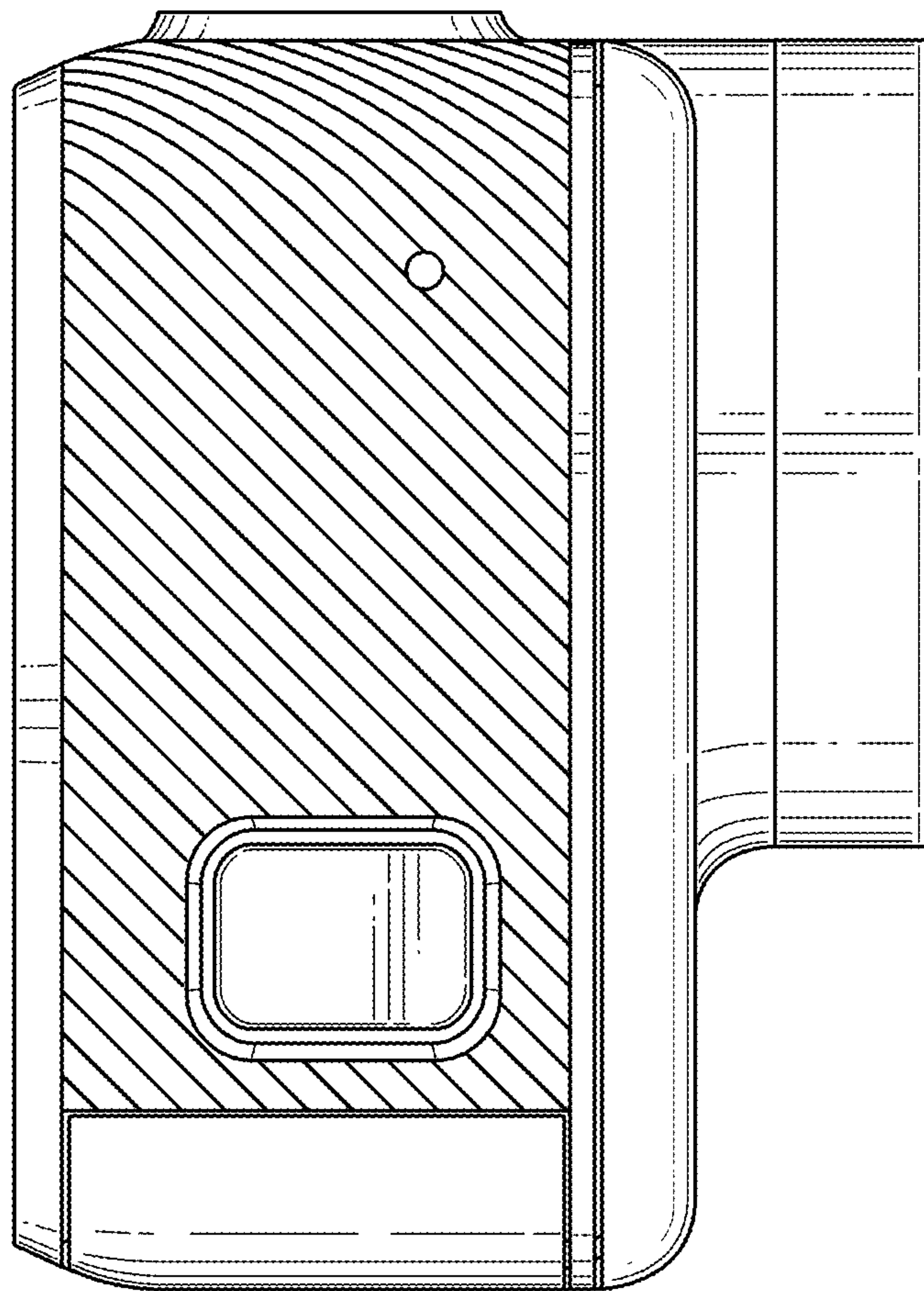


FIG. 7

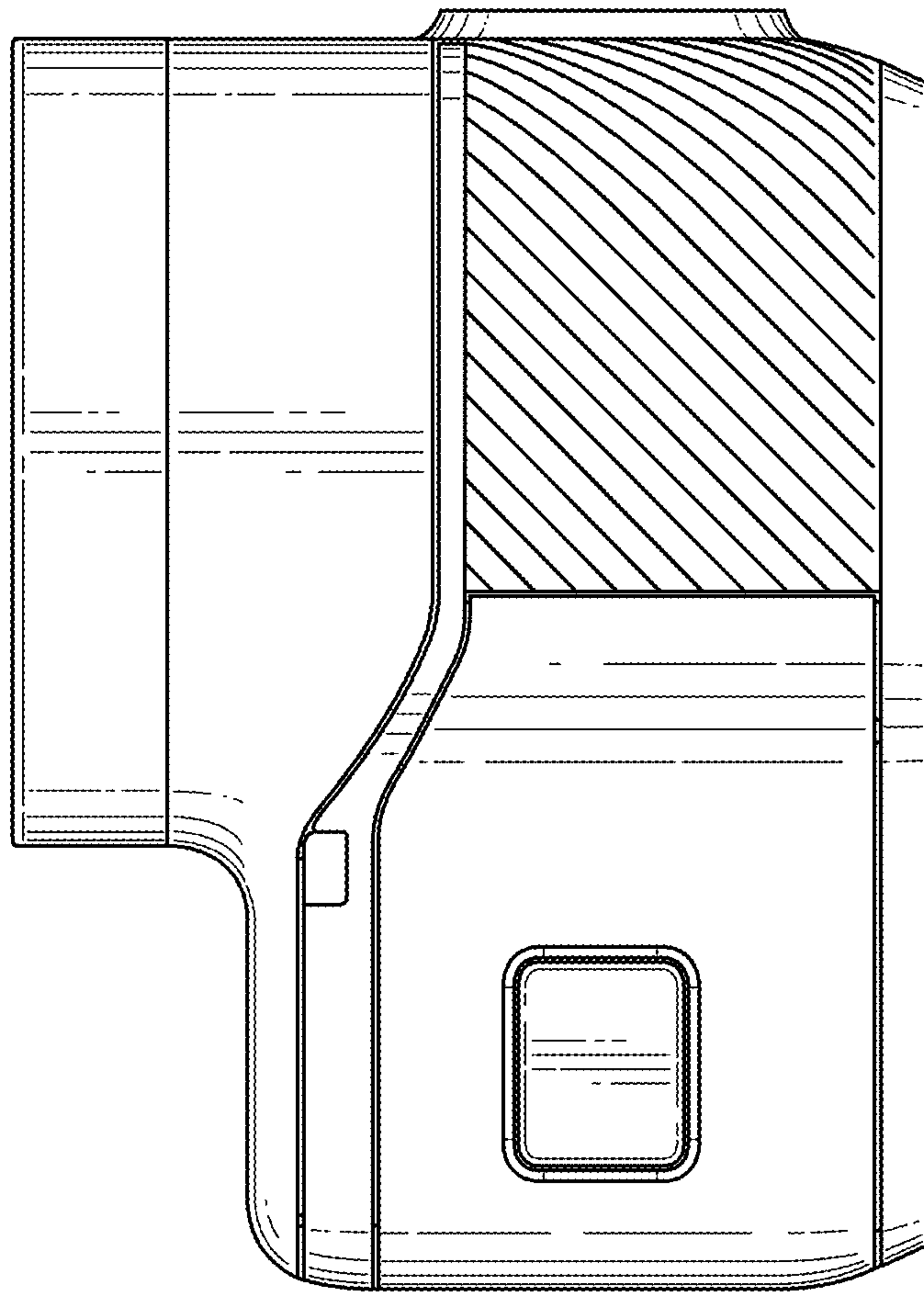


FIG. 8

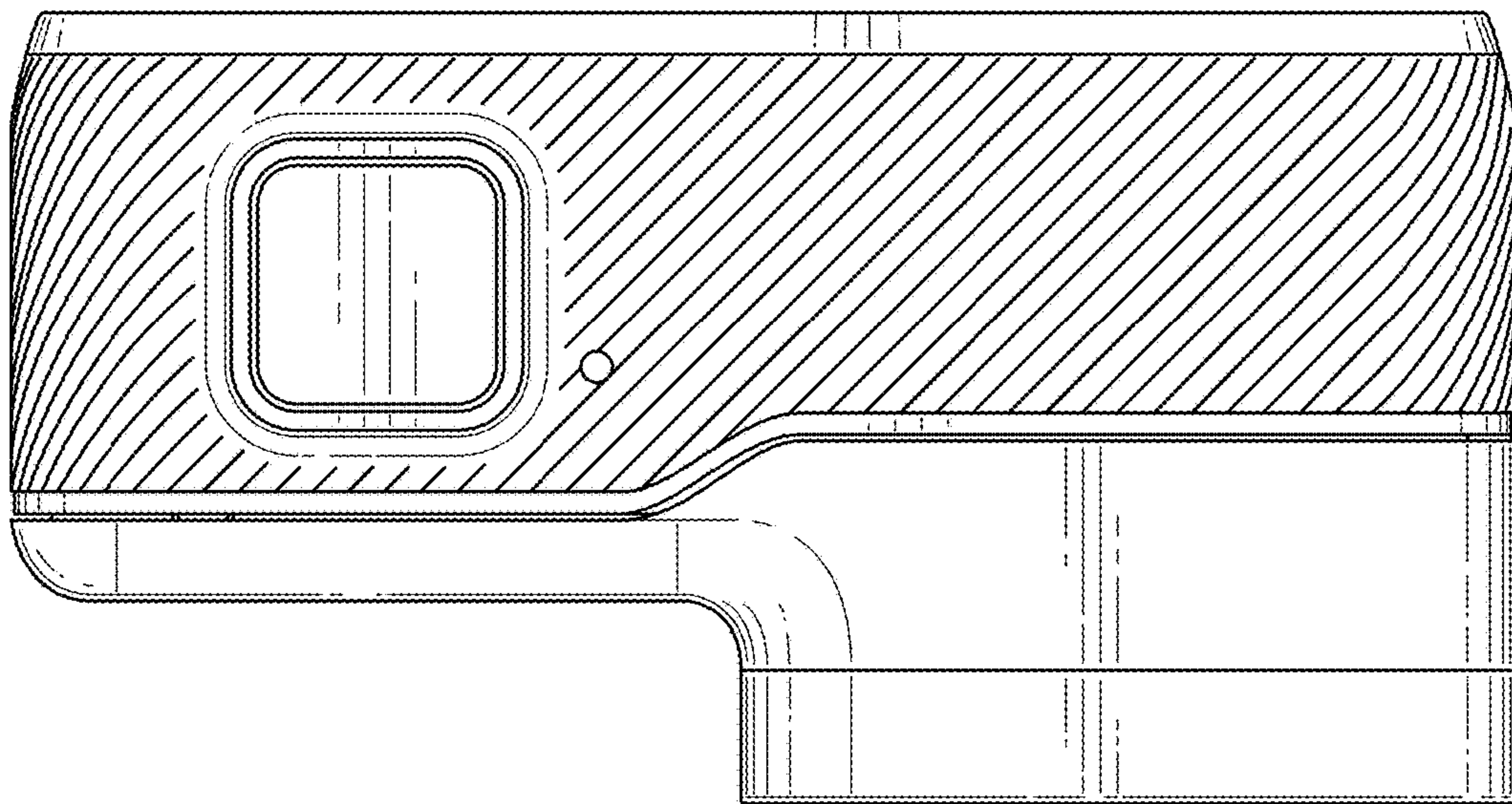


FIG. 9

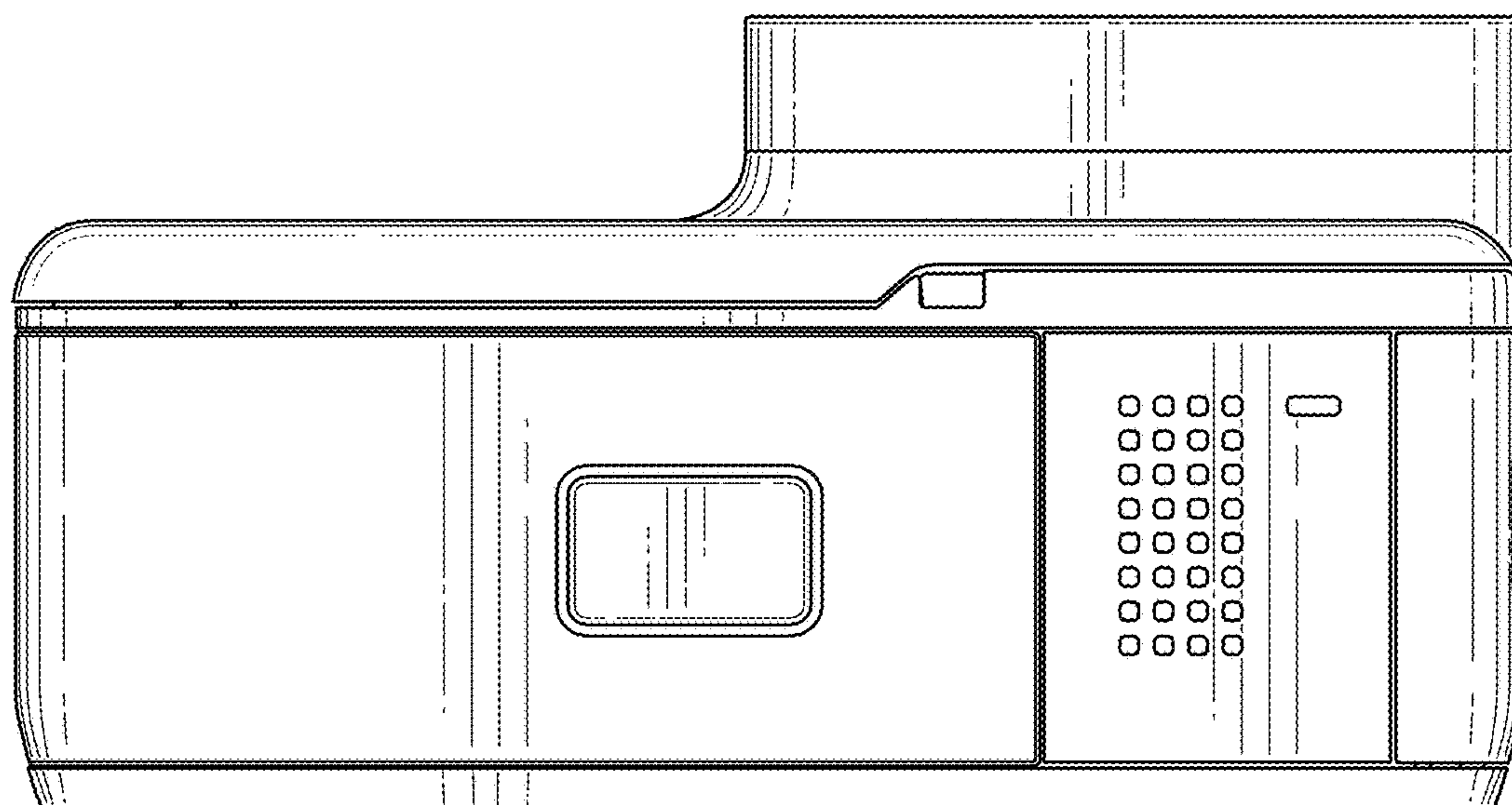


FIG. 10