



US00D794693S

(12) **United States Design Patent**
Sato

(10) **Patent No.:** **US D794,693 S**

(45) **Date of Patent:** **** Aug. 15, 2017**

(54) **DIGITAL CAMERA**

(71) Applicant: **FUJIFILM Corporation**, Tokyo (JP)

(72) Inventor: **Jun Sato**, Tokyo (JP)

(73) Assignee: **FUJIFILM Corporation**, Tokyo (JP)

(**) Term: **15 Years**

(21) Appl. No.: **29/564,177**

(22) Filed: **May 11, 2016**

(30) **Foreign Application Priority Data**

Nov. 13, 2015 (JP) 2015-025440

(51) **LOC (10) Cl.** **16-01**

(52) **U.S. Cl.**
USPC **D16/202**

(58) **Field of Classification Search**
USPC D16/200, 202–206, 208, 218, 219;
348/373–376; 396/535, 539–541
CPC G03B 15/03; G03B 17/02; G03B 17/04;
G03B 17/56; G03B 19/04; H04N 5/2251;
H04N 5/2252; H04N 5/2253; H04N
5/2254; H04N 2101/00

See application file for complete search history.

(56) **References Cited**

U.S. PATENT DOCUMENTS

D631,496 S	*	1/2011	Tainaka	D16/202
D649,997 S	*	12/2011	Imai	D16/202
D657,408 S	*	4/2012	Tainaka	D16/202
D681,710 S	*	5/2013	Sato	D16/200
D695,807 S	*	12/2013	Tainaka	D16/202
D697,960 S	*	1/2014	Sato	D16/200
D698,839 S	*	2/2014	Sato	D16/200
D701,257 S	*	3/2014	Ogawa	D16/202
D716,862 S	*	11/2014	Hoshi	D16/202
D749,659 S	*	2/2016	Kamei	D16/202

2011/0109790 A1* 5/2011 Shinohara G03B 17/14
348/373

2011/0216237 A1* 9/2011 Shinohara G03B 17/02
348/373

2011/0298970 A1* 12/2011 Shinohara G03B 17/14
348/373

FOREIGN PATENT DOCUMENTS

JP 1448637 8/2012

OTHER PUBLICATIONS

Japanese Office Action dated Jan. 20, 2016; Application No. 2015-019594.

Japanese Office Action dated Apr. 20, 2016; Application No. 2015-019594.

* cited by examiner

Primary Examiner — Philip S Hyder

Assistant Examiner — Ramzi Almatrahi

(74) *Attorney, Agent, or Firm* — Young & Thompson

(57) **CLAIM**

The ornamental design for a digital camera, as shown and described.

DESCRIPTION

FIG. 1 is a top, front and right side perspective view of a digital camera showing my new design;

FIG. 2 is top, rear and left side perspective view thereof;

FIG. 3 is a front elevational view thereof;

FIG. 4 is a rear elevational view thereof;

FIG. 5 is a top plan view thereof;

FIG. 6 is a bottom plan view thereof;

FIG. 7 is a left side elevational view thereof; and,

FIG. 8 is a right side elevational view thereof.

The broken lines depict portions of a digital camera in which the design is embodied that form no part of the claimed design.

1 Claim, 8 Drawing Sheets

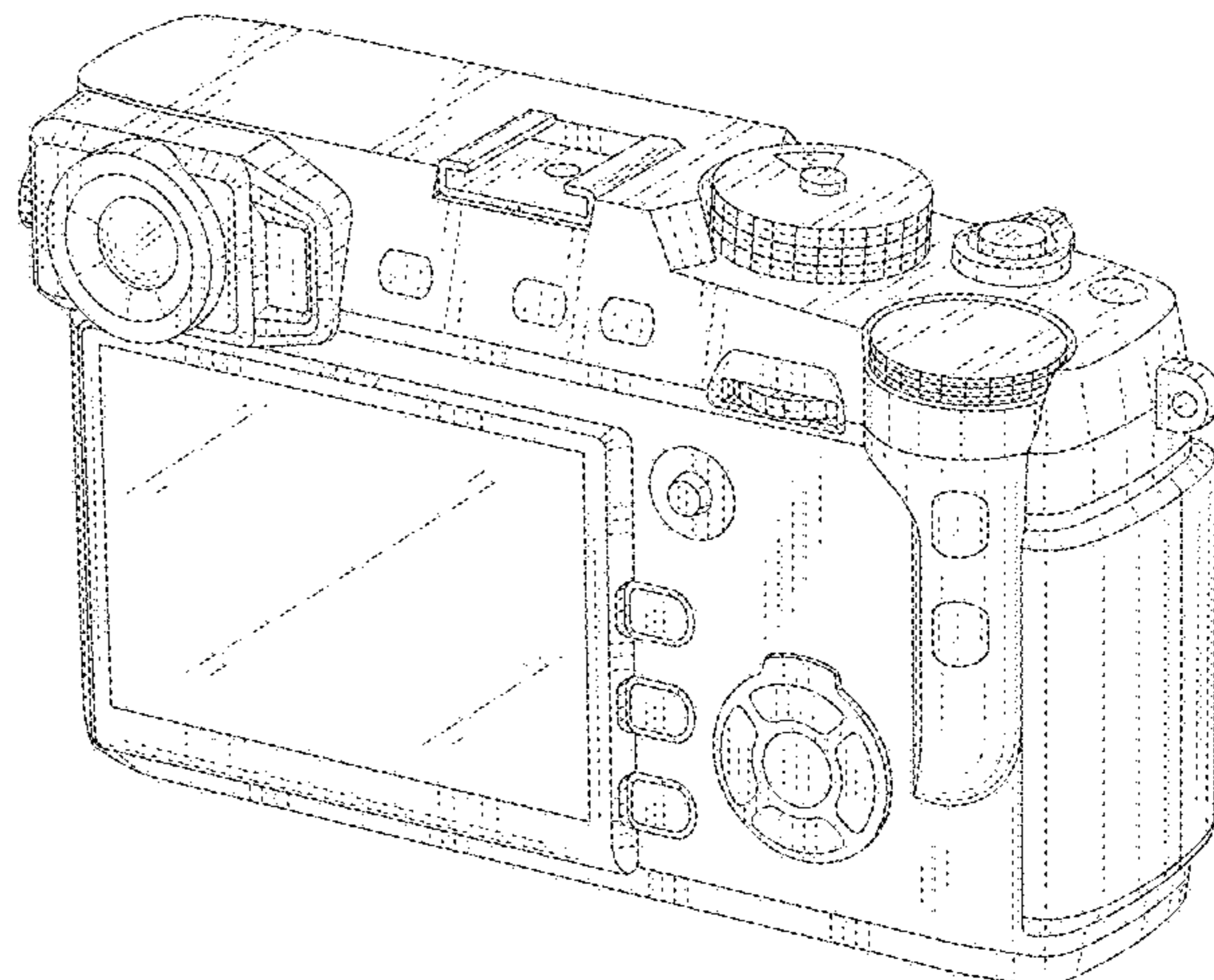
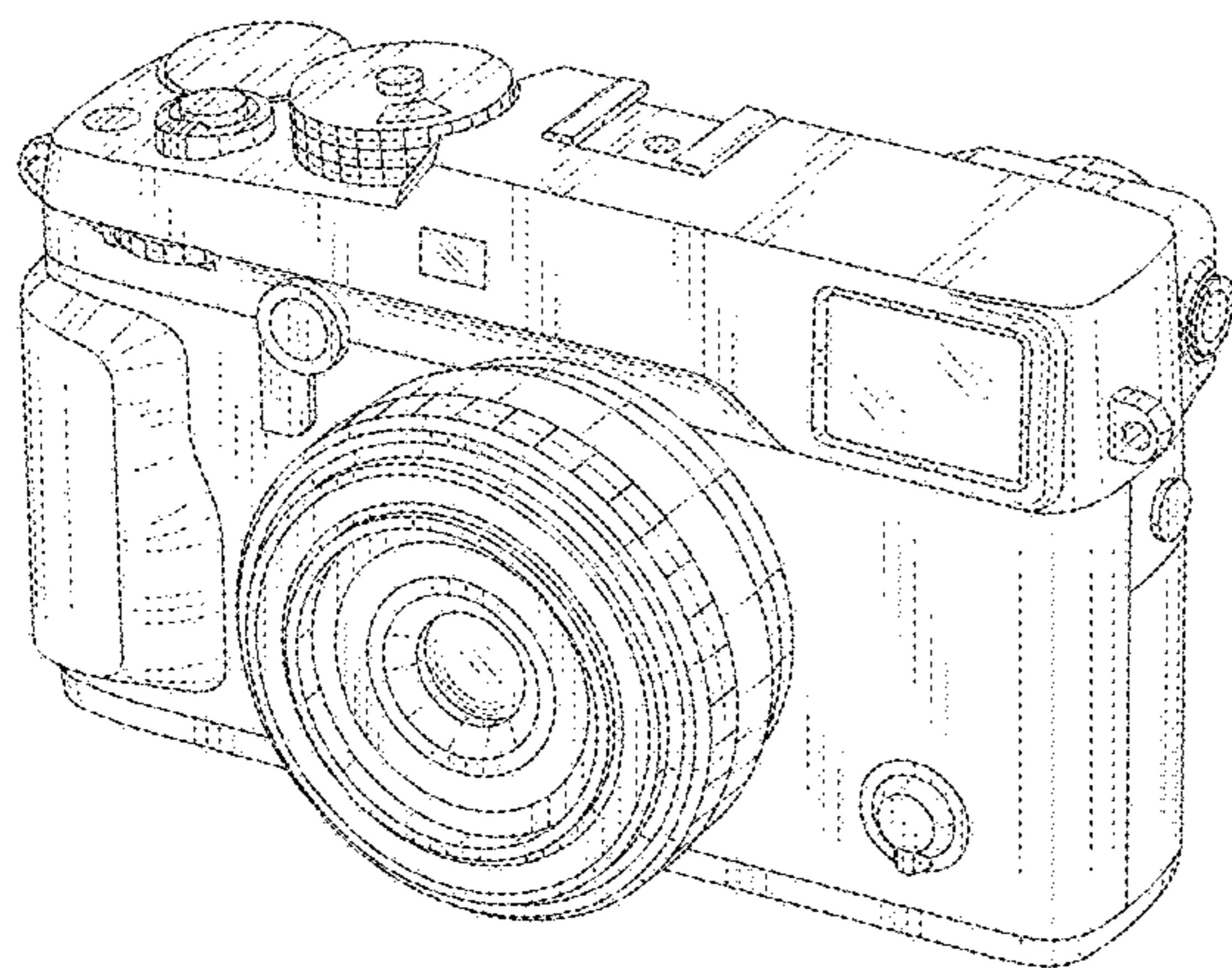


FIG. 1

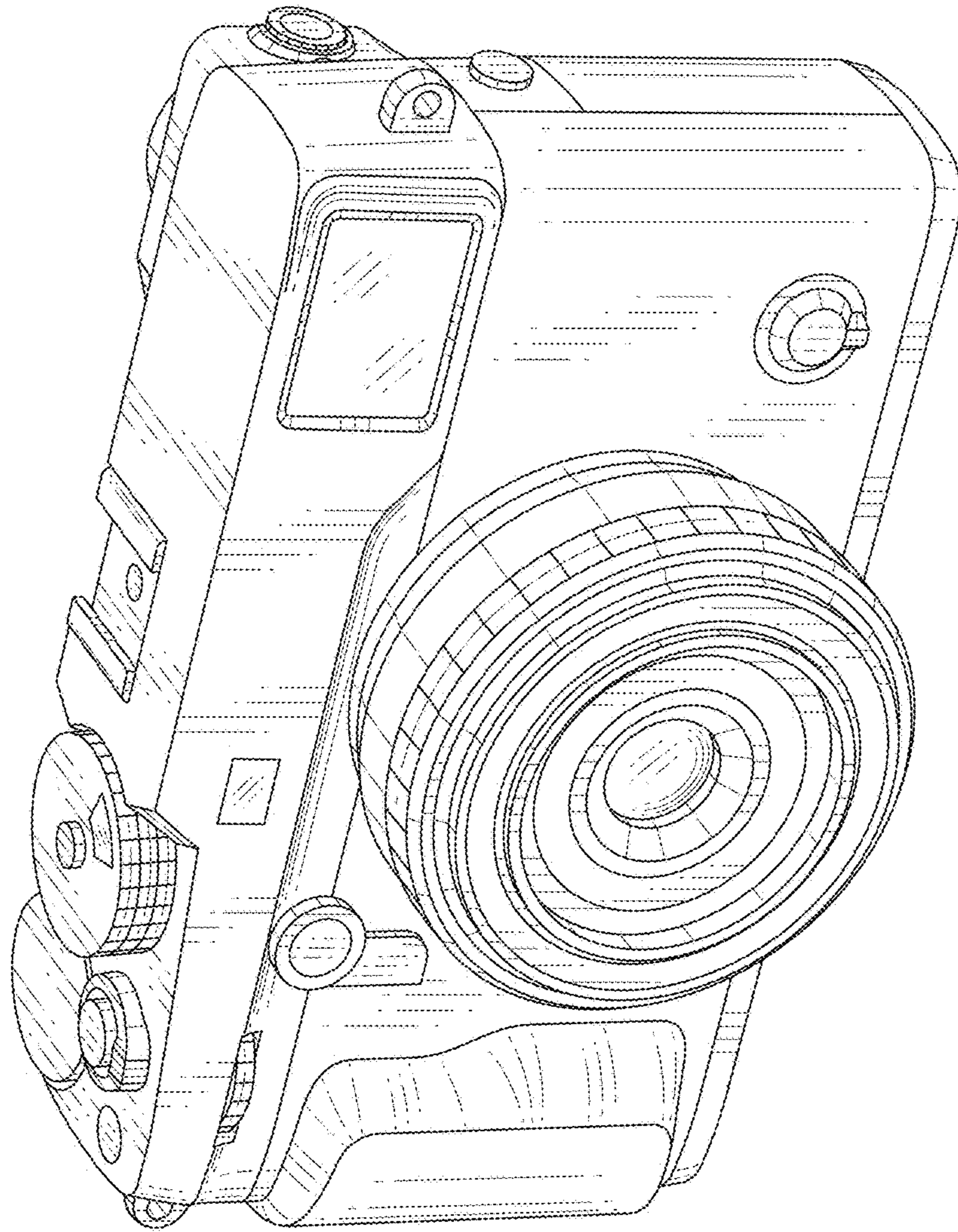


FIG. 2

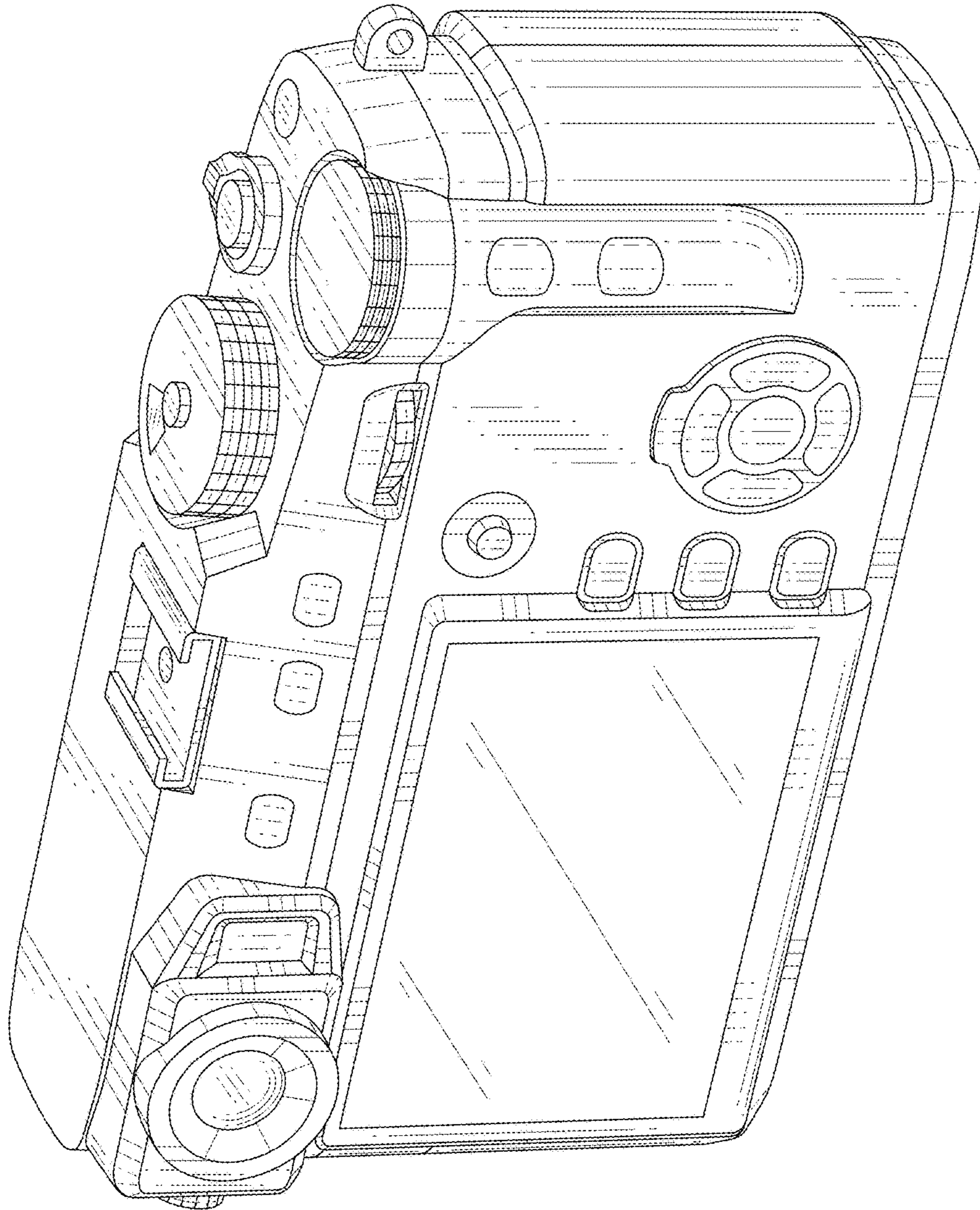


FIG. 3

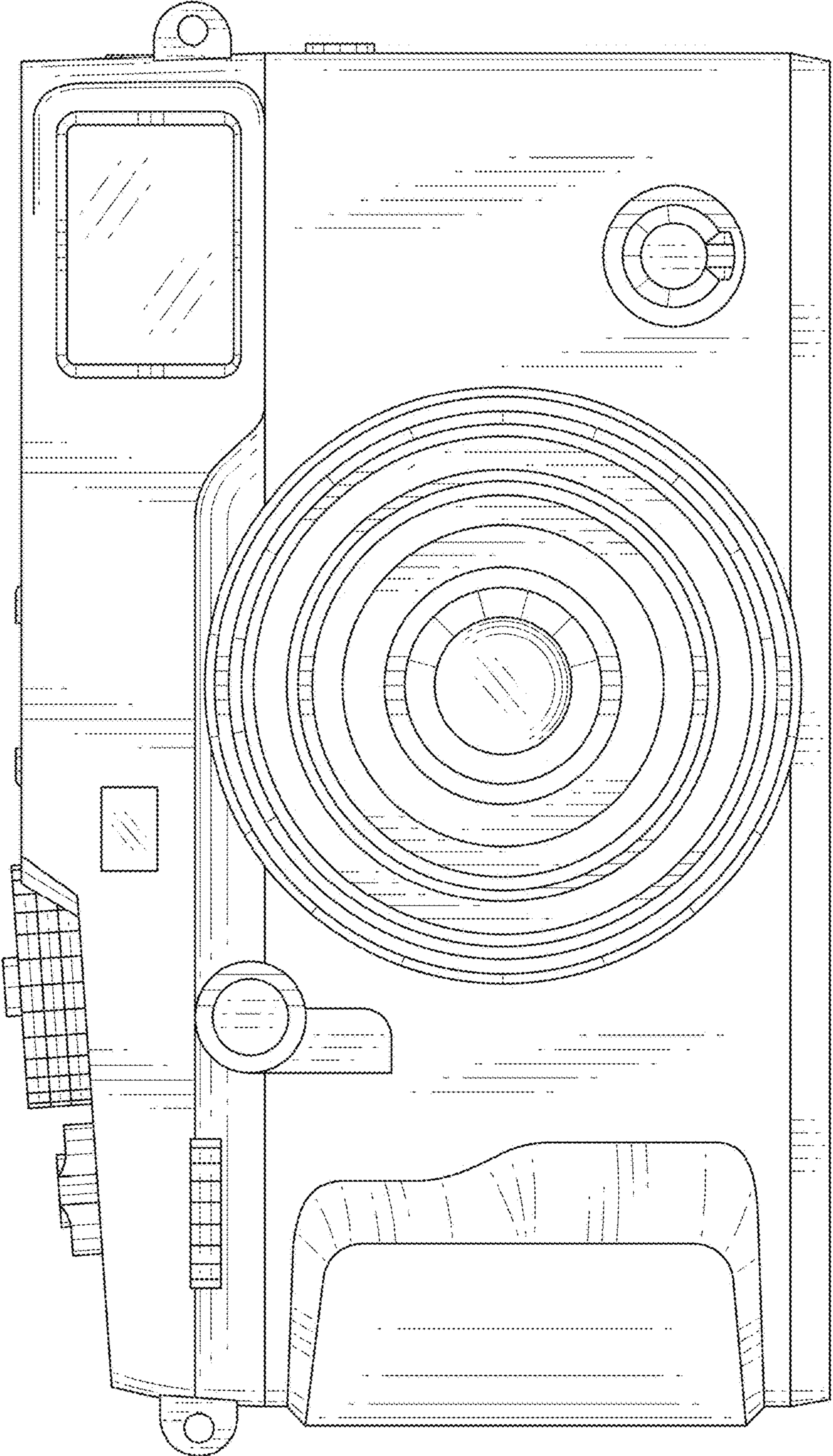


FIG. 4

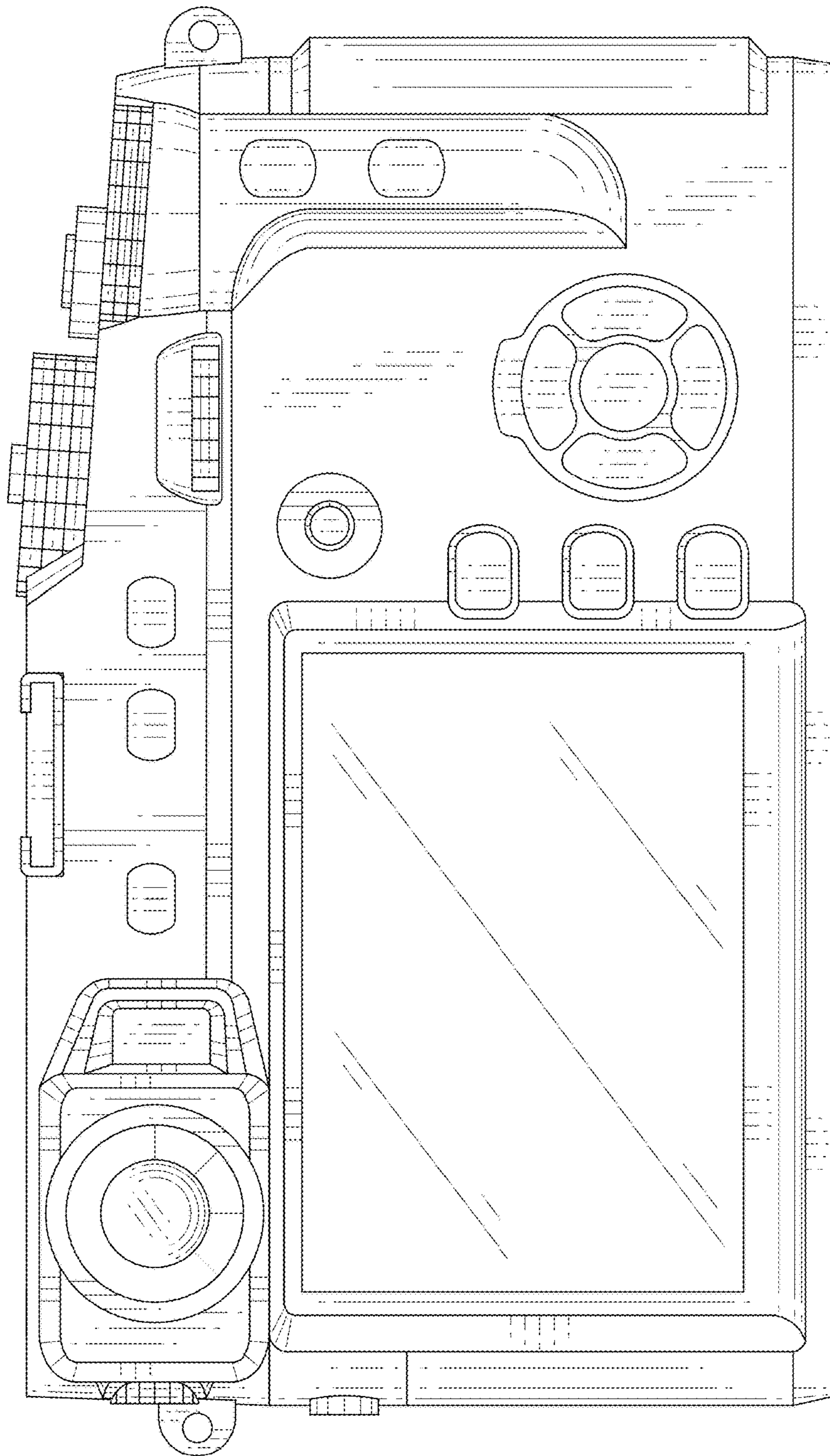


FIG. 5

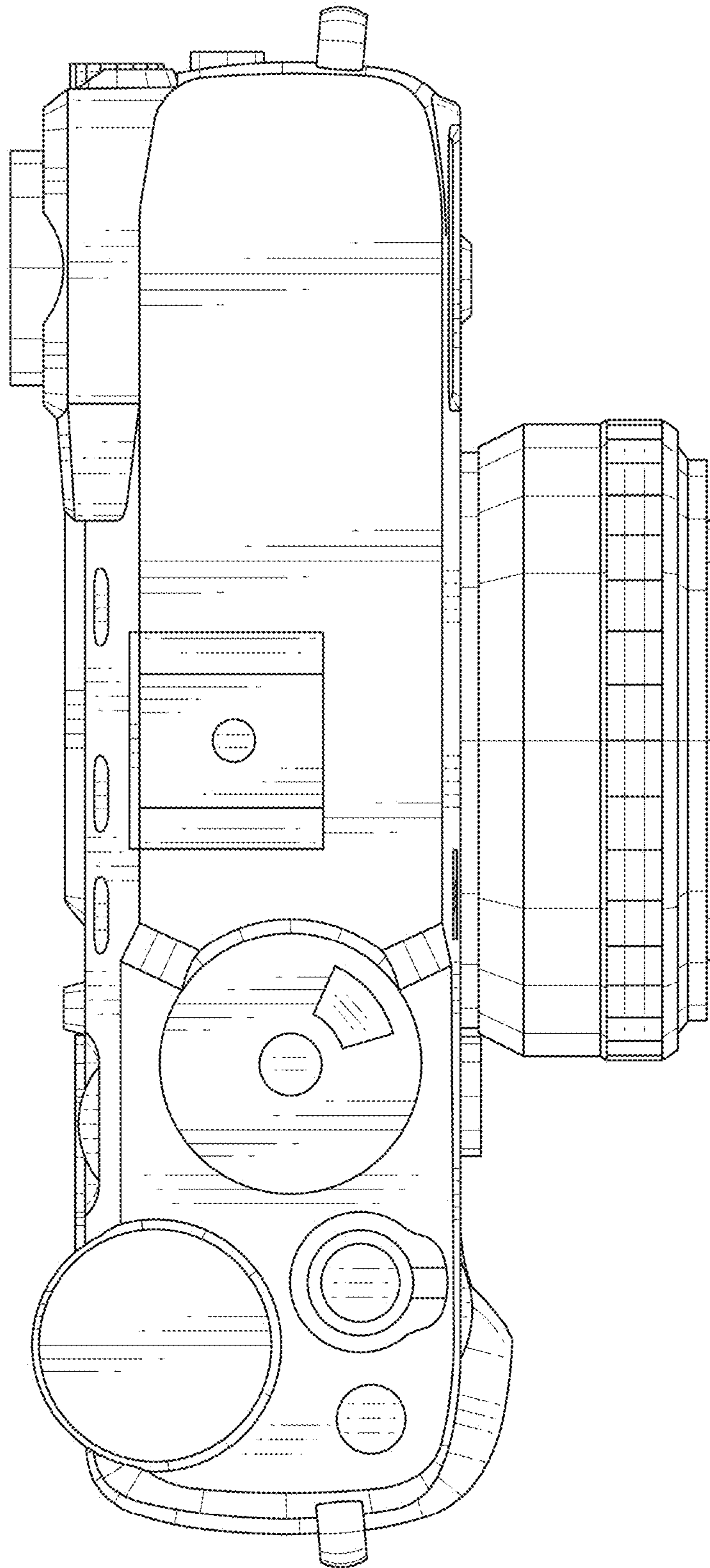


FIG. 6

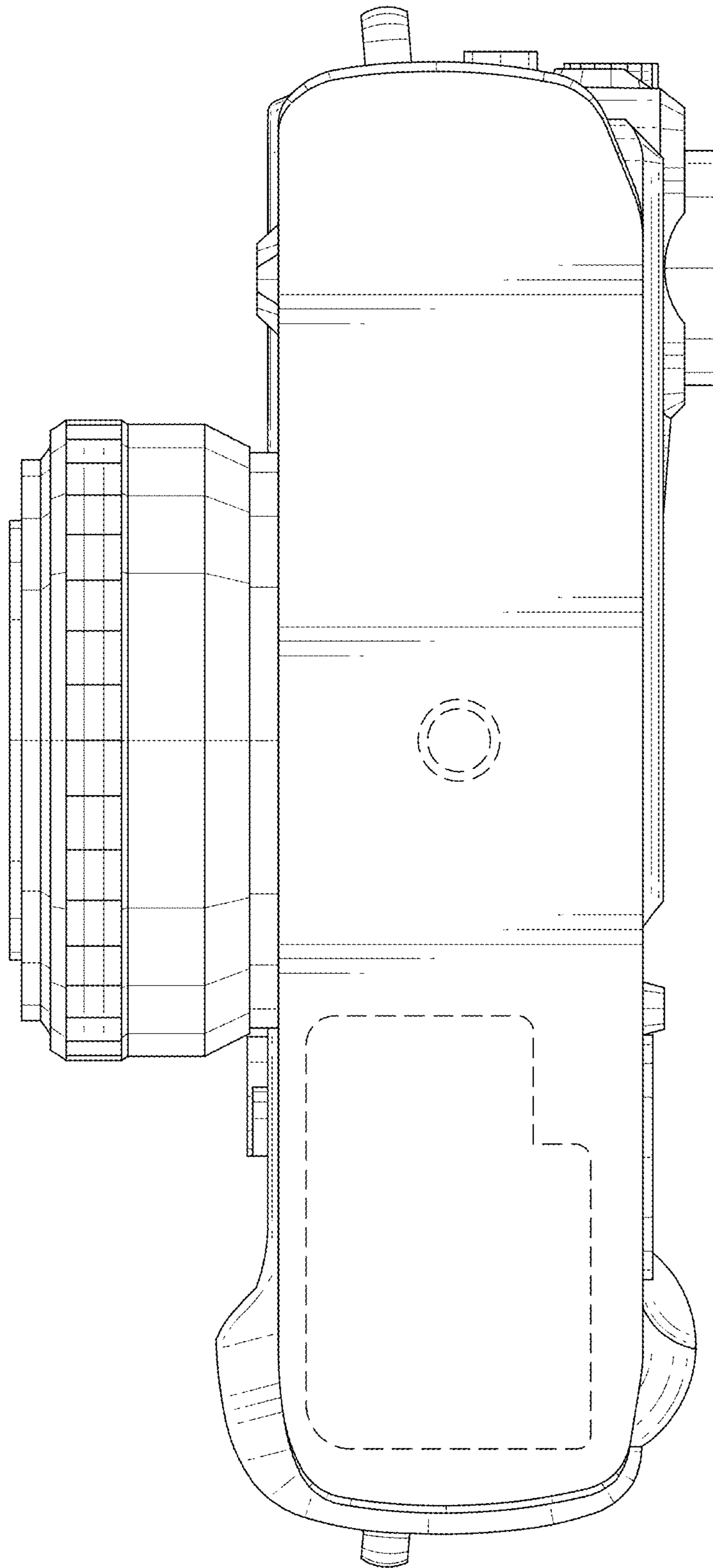


FIG. 7

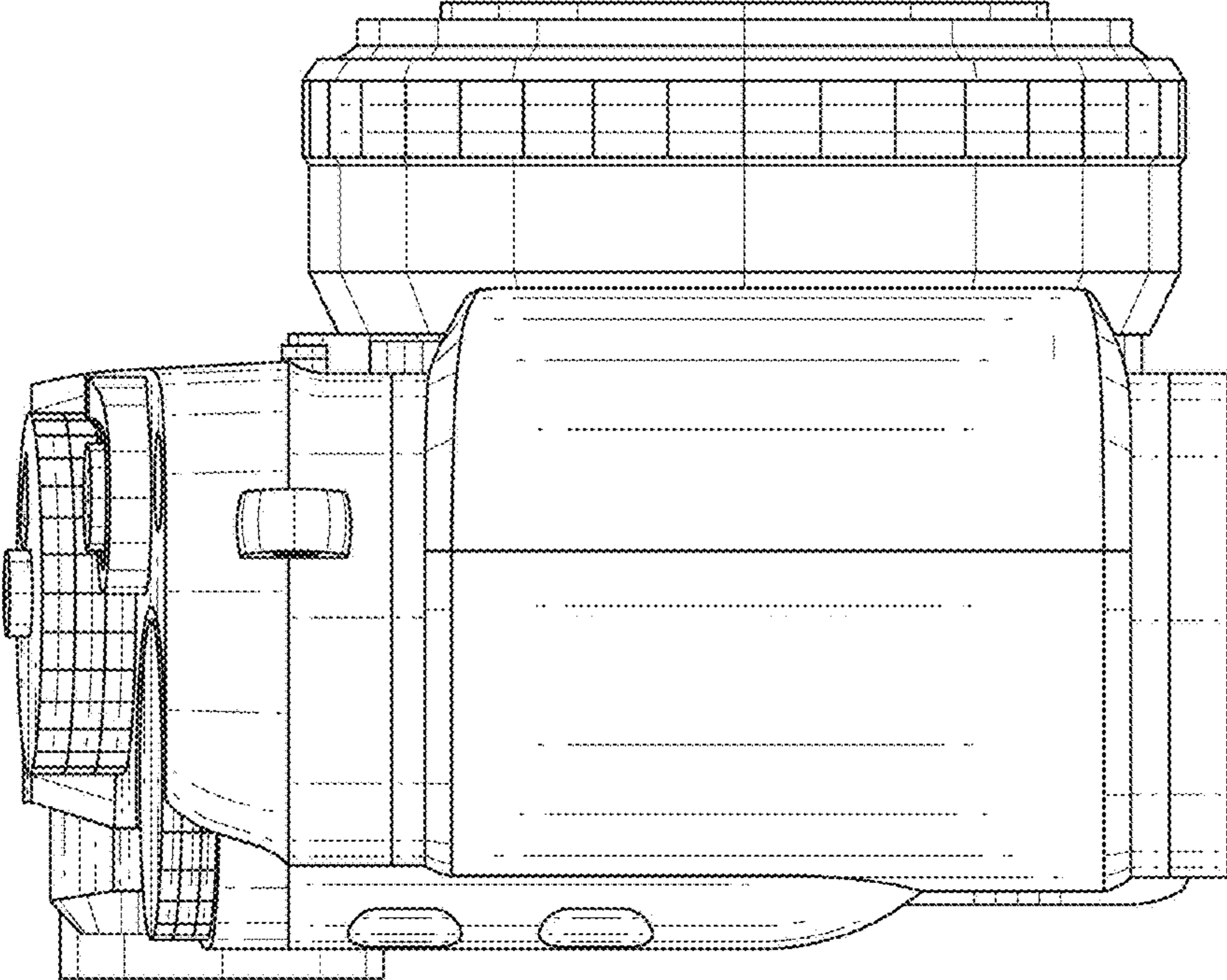


FIG. 8

