



US00D794686S

(12) **United States Design Patent** (10) **Patent No.:** **US D794,686 S**
Kim et al. (45) **Date of Patent:** **** Aug. 15, 2017**

(54) **TRAY FOR REFRIGERATOR** 2400/36; F25D 2400/361; F25D 25/00;
F25D 2600/00; F25D 2600/02

(71) Applicant: **Samsung Electronics Co., Ltd.**,
Suwon-si (KR) See application file for complete search history.

(72) Inventors: **Aeryun Kim**, Ansan-si (KR); **Seon-Ju Lee**, Seoul (KR); **Jaemin Lee**, Incheon (KR); **Junhyeok Choi**, Seongnam-si (KR)

(73) Assignee: **Samsung Electronics Co., Ltd.**,
Suwon-si (KR)

(**) Term: **15 Years**

(21) Appl. No.: **29/557,721**

(22) Filed: **Mar. 11, 2016**

(30) **Foreign Application Priority Data**

Sep. 24, 2015 (KR) 30-2015-0048757

(51) **LOC (10) Cl.** **15-07**

(52) **U.S. Cl.**
USPC **D15/89**

(58) **Field of Classification Search**
USPC D15/79-91
CPC F25D 25/02; F25D 25/024; F25D 23/00;
F25D 2325/022; F25D 25/04; F25D
23/067; F25D 23/04; F25D 11/00; F25D
23/025; F25D 25/025; F25D 27/00; F25D
2325/021; F25D 2400/22; F25D 11/02;
F25D 23/12; F25D 27/005; F25D
2331/80; F25D 17/042; F25D 2331/805;
F25D 23/028; F25D 2400/40; F25D
2500/02; F25D 2500/06; F25D 25/022;
F25D 25/028; F25D 2201/00; F25D
2317/041; F25D 2317/0411; F25D
2317/0416; F25D 2323/122; F25D
2325/00; F25D 2327/00; F25D 2327/001;
F25D 2331/809; F25D 2331/81; F25D
23/062; F25D 23/065; F25D 23/069;
F25D 23/087; F25D 23/126; F25D

(56) **References Cited**

U.S. PATENT DOCUMENTS

D559,282 S * 1/2008 Vardon D15/89
D612,404 S * 3/2010 Picken D15/89
D716,848 S * 11/2014 Seo D15/89
D716,850 S 11/2014 Seo et al.
D717,348 S 11/2014 Seo et al.
D736,273 S * 8/2015 Bu D15/89
D745,902 S * 12/2015 Choi D15/89
D754,219 S * 4/2016 Lee D15/89

FOREIGN PATENT DOCUMENTS

CN 201130294029 3/2012

* cited by examiner

Primary Examiner — Ian Simmons

Assistant Examiner — Khawaja Anwar

(74) *Attorney, Agent, or Firm* — NSIP Law

(57) **CLAIM**

We claim the ornamental design for a tray for refrigerator, as shown and described.

DESCRIPTION

FIG. 1 is a front perspective view of a tray for refrigerator showing our new design;
FIG. 2 is a front view thereof;
FIG. 3 is a rear view thereof;
FIG. 4 is a left-side view thereof;
FIG. 5 is a right-side view thereof;
FIG. 6 is a top view thereof;
FIG. 7 is a bottom view thereof; and,
FIG. 8 is a front perspective view thereof, shown in an alternate configuration.
The broken lines in the figures depict environmental subject matter and form no part of the claimed design.

1 Claim, 8 Drawing Sheets

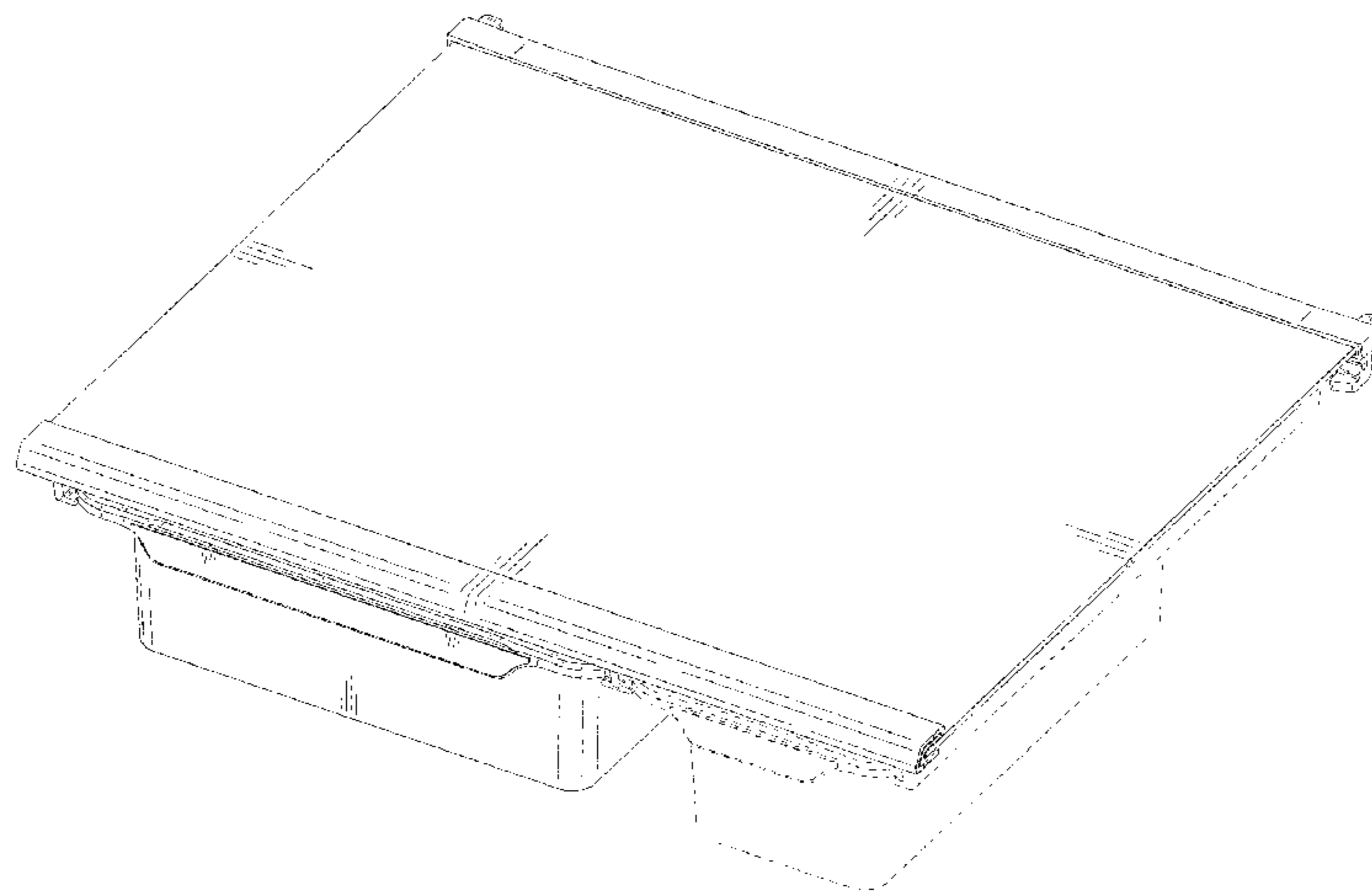


FIG. 1

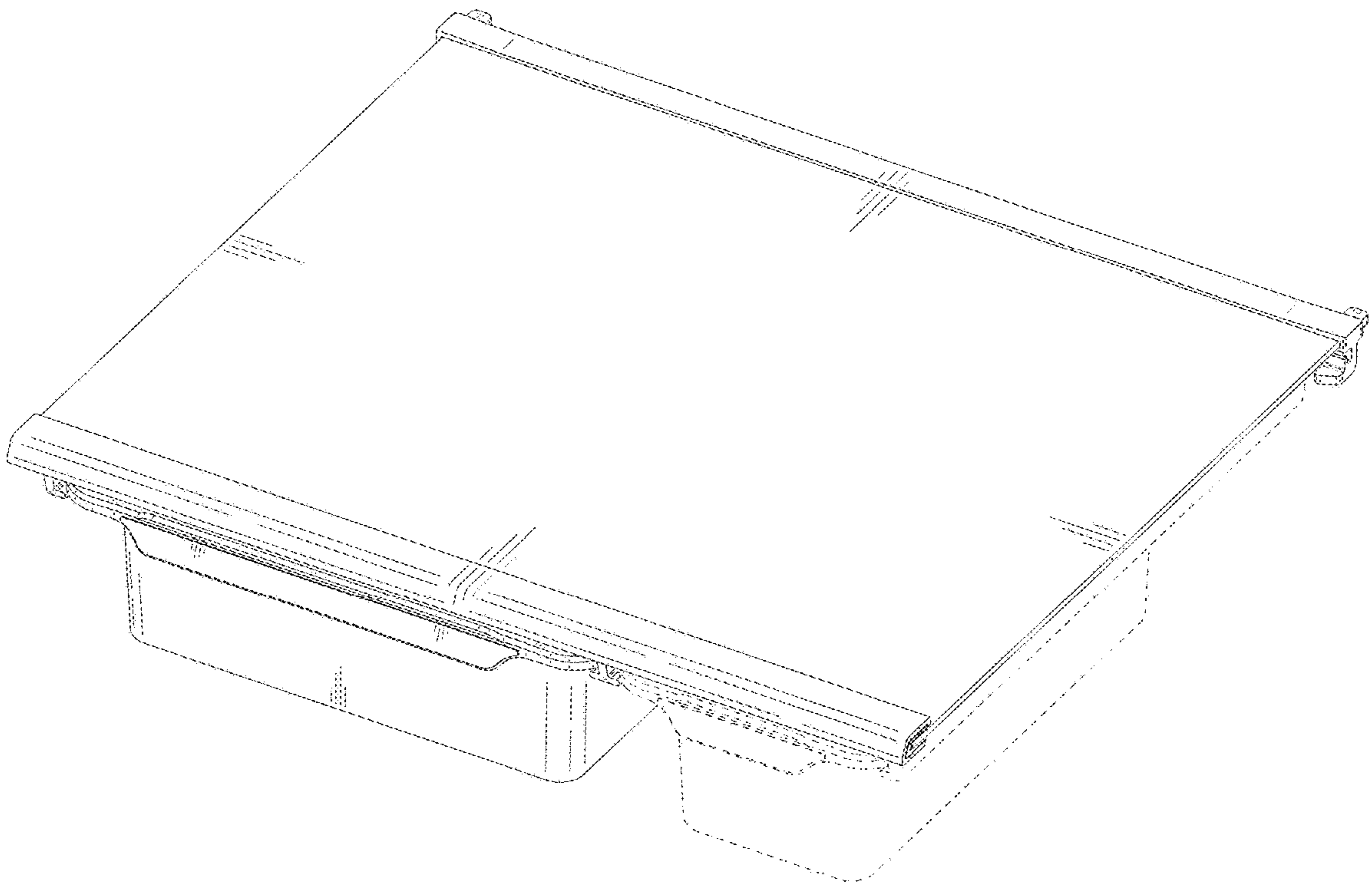


FIG. 2

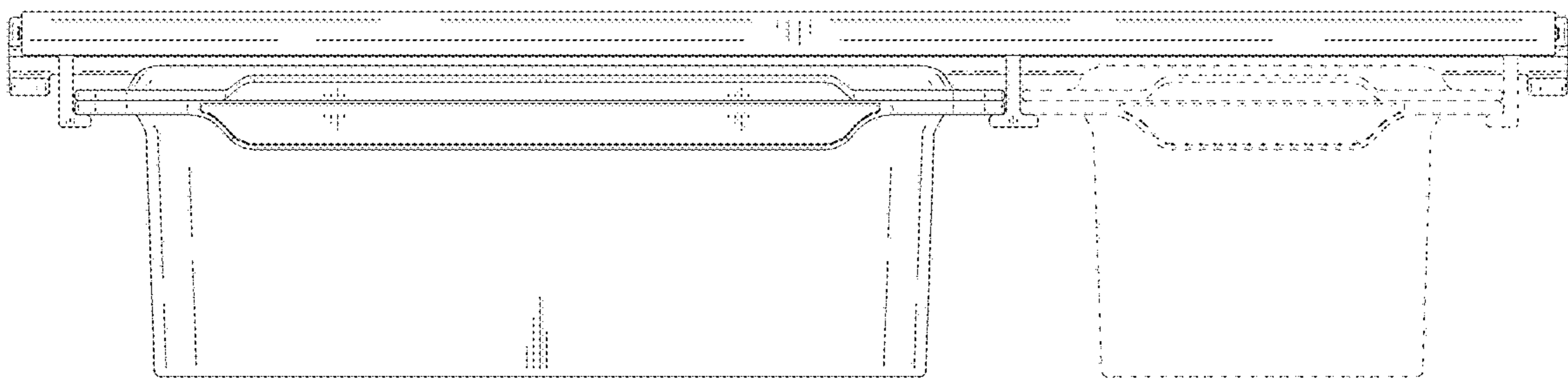


FIG. 3

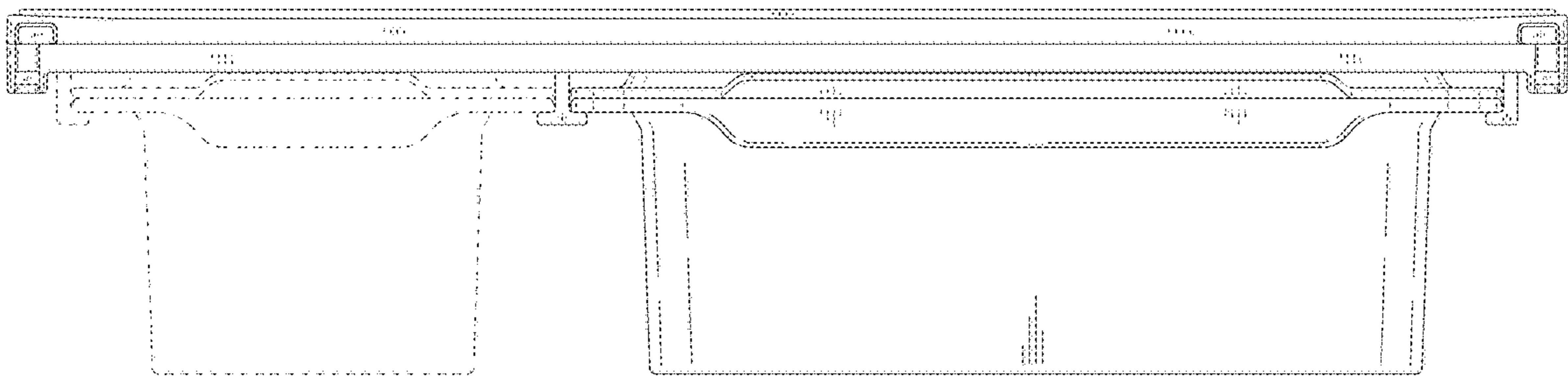


FIG. 4

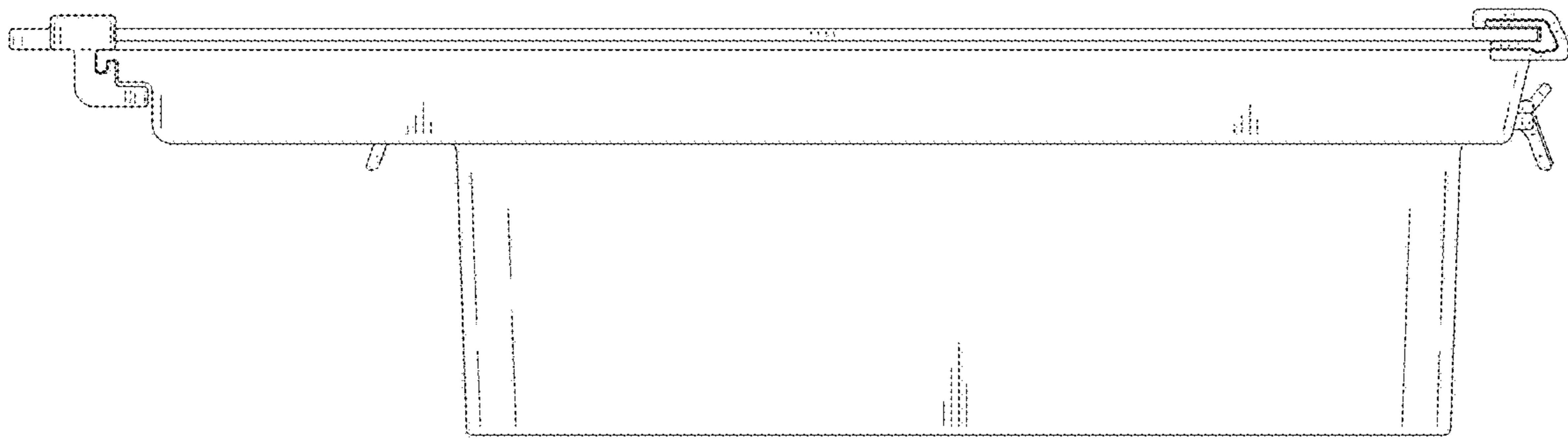


FIG. 5

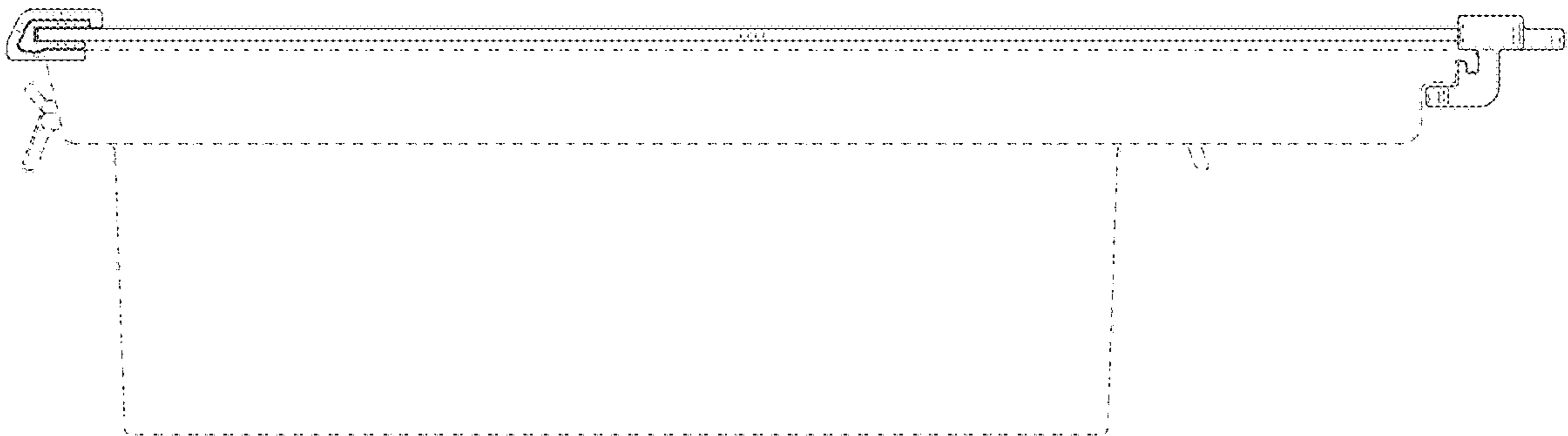


FIG. 6

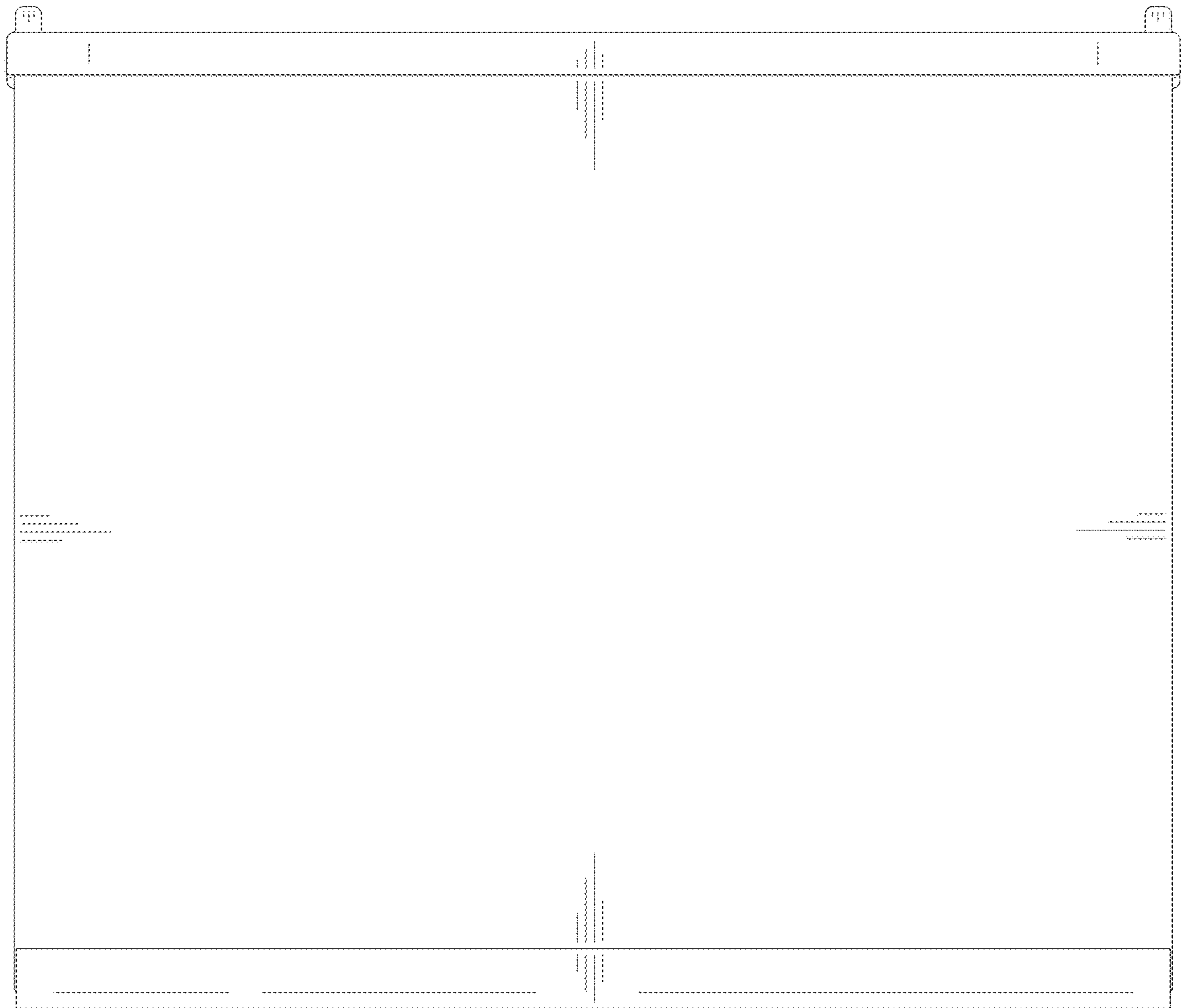


FIG. 7

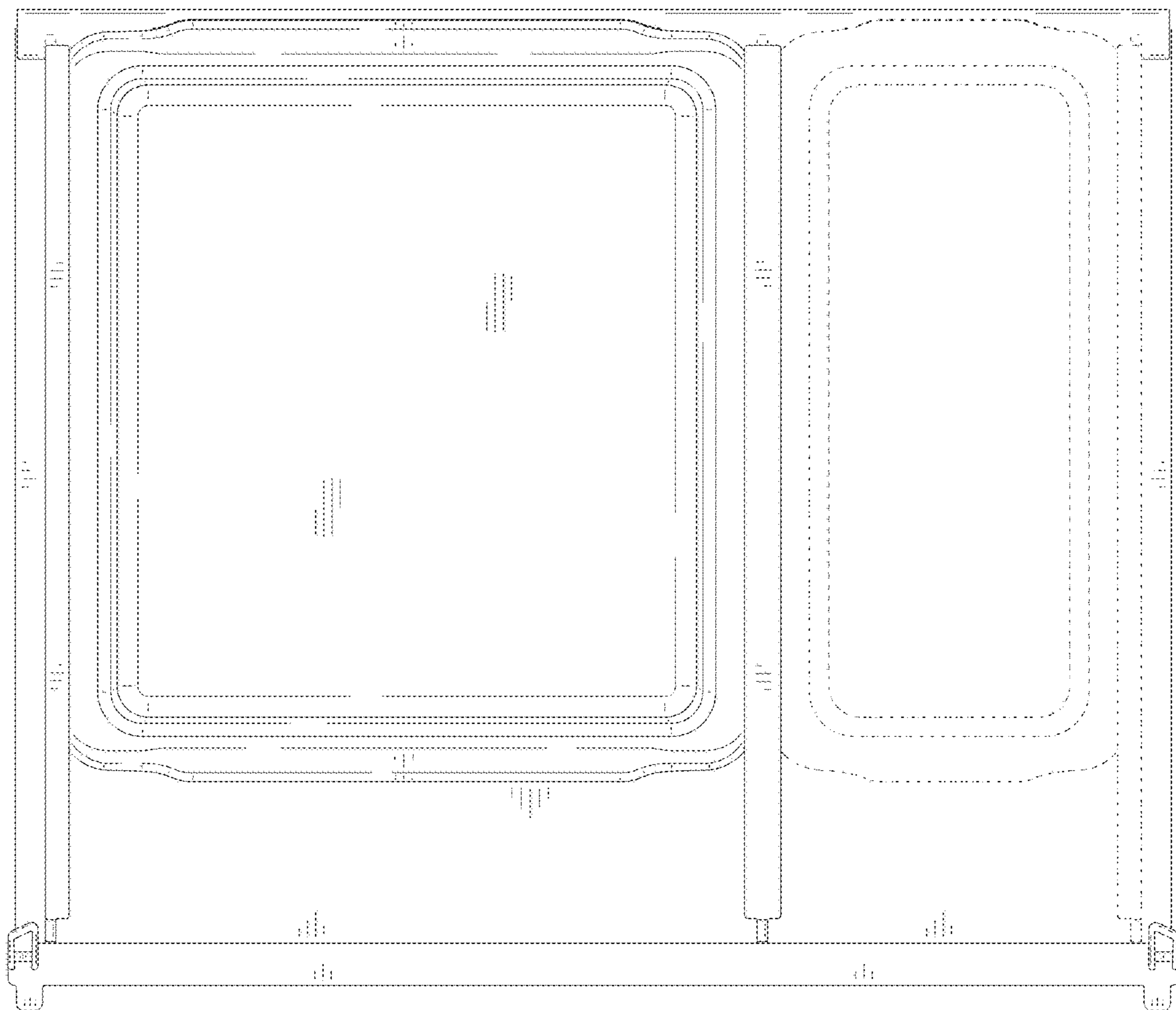


FIG. 8

