



US00D794683S

(12) **United States Design Patent**
Barea

(10) **Patent No.:** **US D794,683 S**

(45) **Date of Patent:** **** Aug. 15, 2017**

(54) **YARN FEEDER**

(71) Applicant: **BTSR INTERNATIONAL S.P.A.**,
Olgiate Olona (Varese) (IT)

(72) Inventor: **Tiziano Barea**, Busto Arsizio (IT)

(73) Assignee: **BTSR INTERNATIONAL S.P.A.**,
Olgiate Olona (Varese) (IT)

(**) Term: **15 Years**

(21) Appl. No.: **29/557,879**

(22) Filed: **Mar. 14, 2016**

(30) **Foreign Application Priority Data**

Sep. 15, 2015 (EM) 002772434-0002

(51) **LOC (10) Cl.** **15-06**

(52) **U.S. Cl.**
USPC **D15/78**

(58) **Field of Classification Search**

USPC D15/66, 72, 78
CPC D04B 5/48; B65H 51/22; B65H 59/18;
B65H 59/00; B65H 59/38; B65H 51/30;
B65H 59/10

See application file for complete search history.

(56) **References Cited**

U.S. PATENT DOCUMENTS

- 4,598,560 A * 7/1986 Sawazaki D04B 15/48
242/365.6
- 4,669,677 A * 6/1987 Roser D04B 15/48
242/365.7
- D309,315 S * 7/1990 Maina D15/78
- D309,614 S * 7/1990 Maina D15/78
- D315,914 S * 4/1991 Chen D15/72
- D463,463 S * 9/2002 Zenoni D15/78

- D464,065 S * 10/2002 Schmodde D15/78
- 7,699,258 B2 * 4/2010 Barea D04B 15/48
242/365.7
- 8,382,023 B2 * 2/2013 Barea D04B 15/48
242/154
- 9,181,064 B2 * 11/2015 Barea B65H 51/30
- 2015/0274482 A1 * 10/2015 Barea B65H 51/22
242/418.1
- 2016/0096703 A1 * 4/2016 Barea B65H 51/20
226/158
- 2016/0229659 A1 * 8/2016 Barea B65H 59/40

* cited by examiner

Primary Examiner — Mitchell Siegel

(74) *Attorney, Agent, or Firm* — Vorys, Sater, Seymour
and Pease LLP

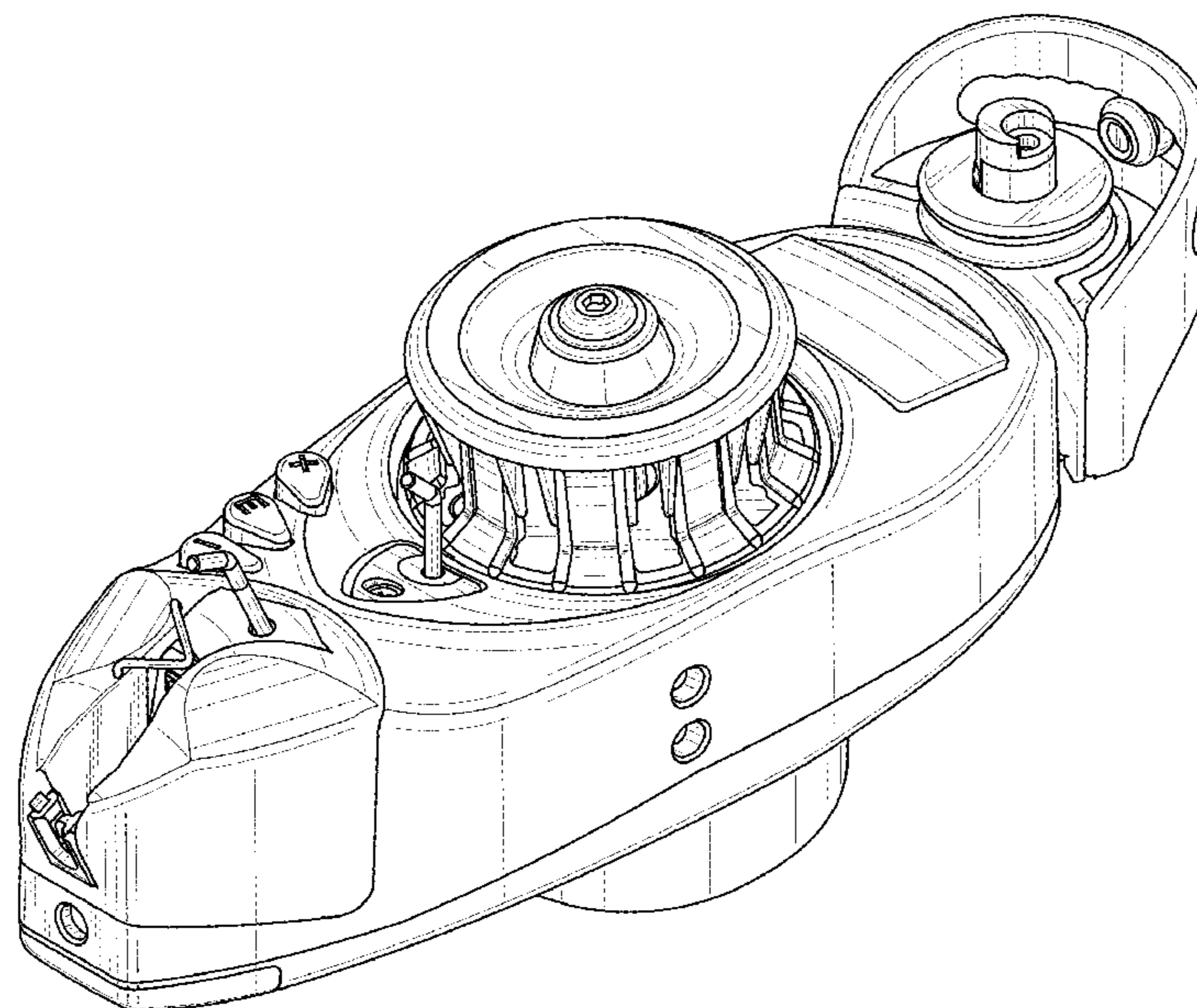
(57) **CLAIM**

The ornamental design for a yarn feeder, as shown and described.

DESCRIPTION

FIG. 1 is a perspective view of a yarn feeder;
 FIG. 2 is a top plan view thereof;
 FIG. 3 is a left side view thereof;
 FIG. 4 is a right side view thereof;
 FIG. 5 is a bottom plan view thereof;
 FIG. 6 is an end view thereof;
 FIG. 7 is an opposite end view thereof;
 FIG. 8 is a cross sectional perspective view taken on line 8-8 of FIG. 11;
 FIG. 9 is a cross sectional perspective view taken on line 9-9 of FIG. 11;
 FIG. 10 is a cross sectional perspective view taken on line 10-10 of FIG. 11; and,
 FIG. 11 is a perspective view of FIG. 1 disclosing the cross sectional cut lines.

1 Claim, 11 Drawing Sheets



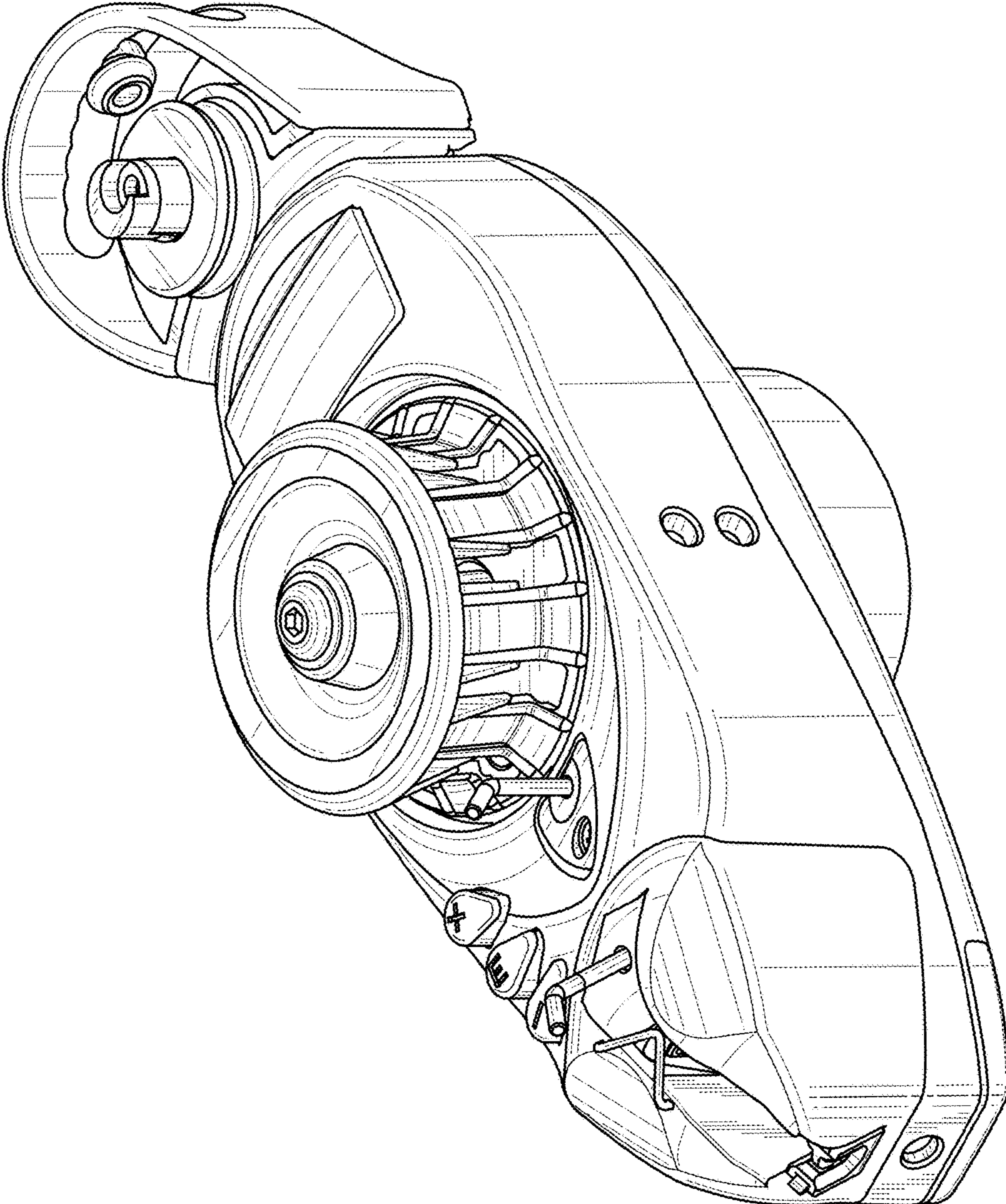


FIG. 1

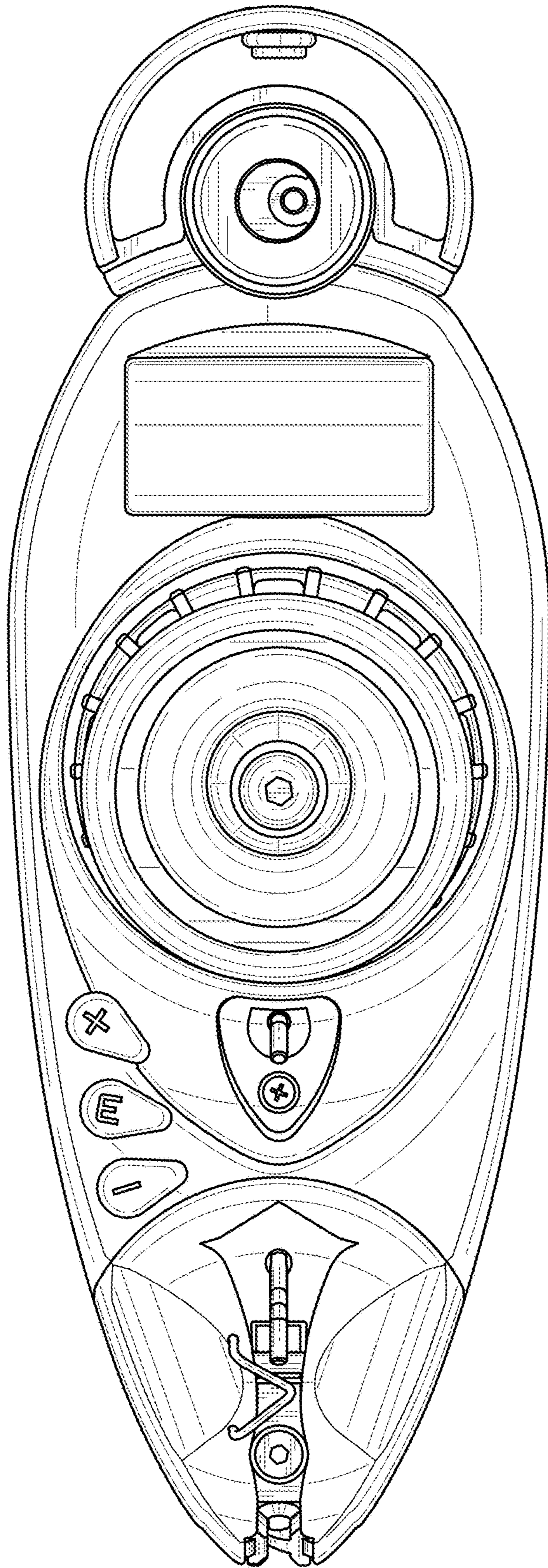


FIG. 2

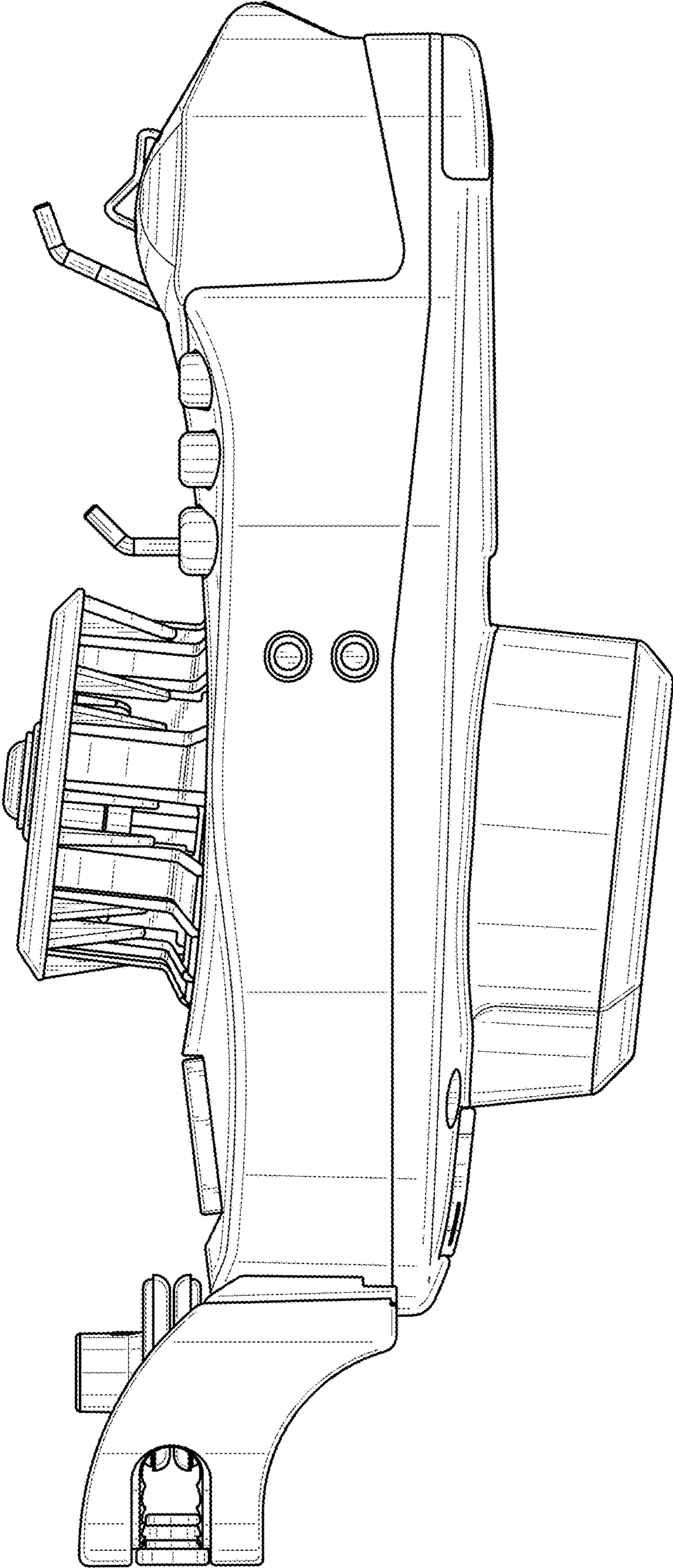


FIG. 3

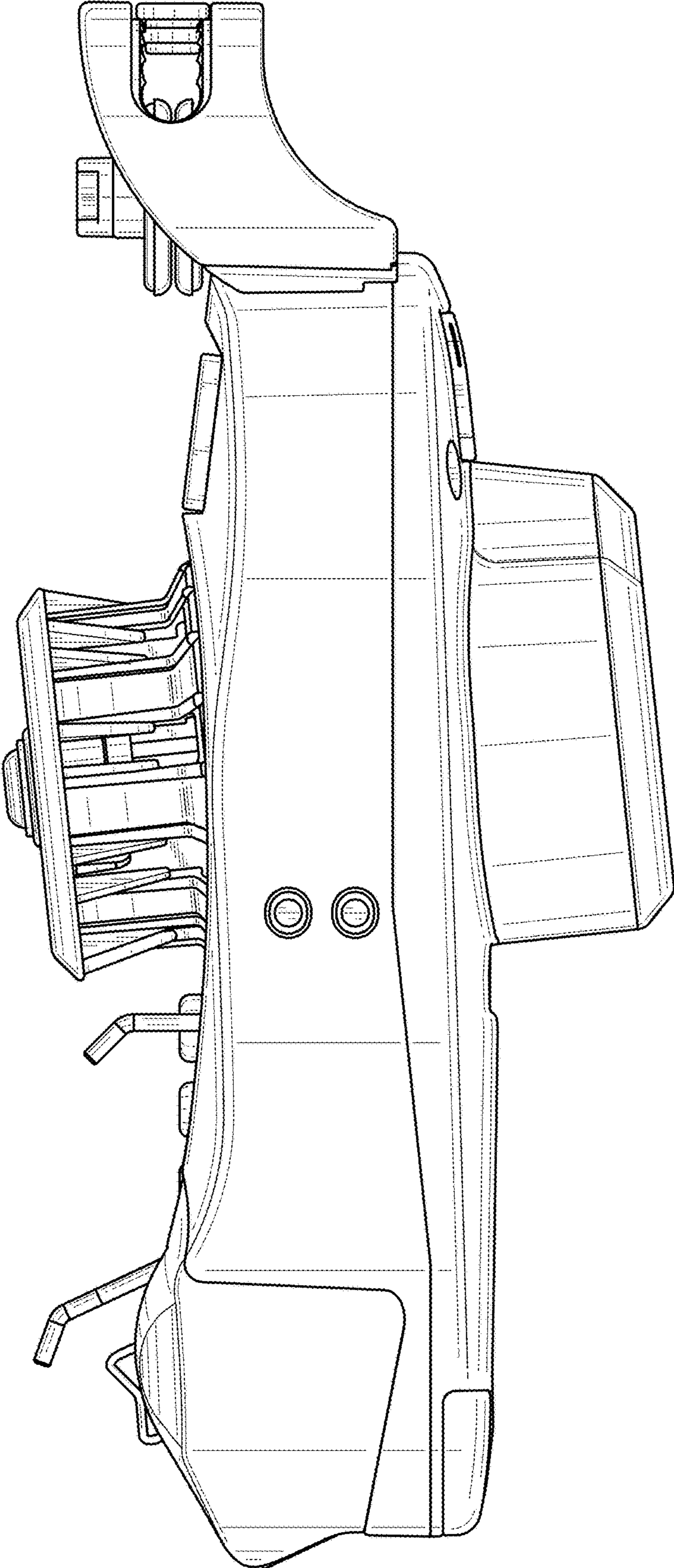


FIG. 4

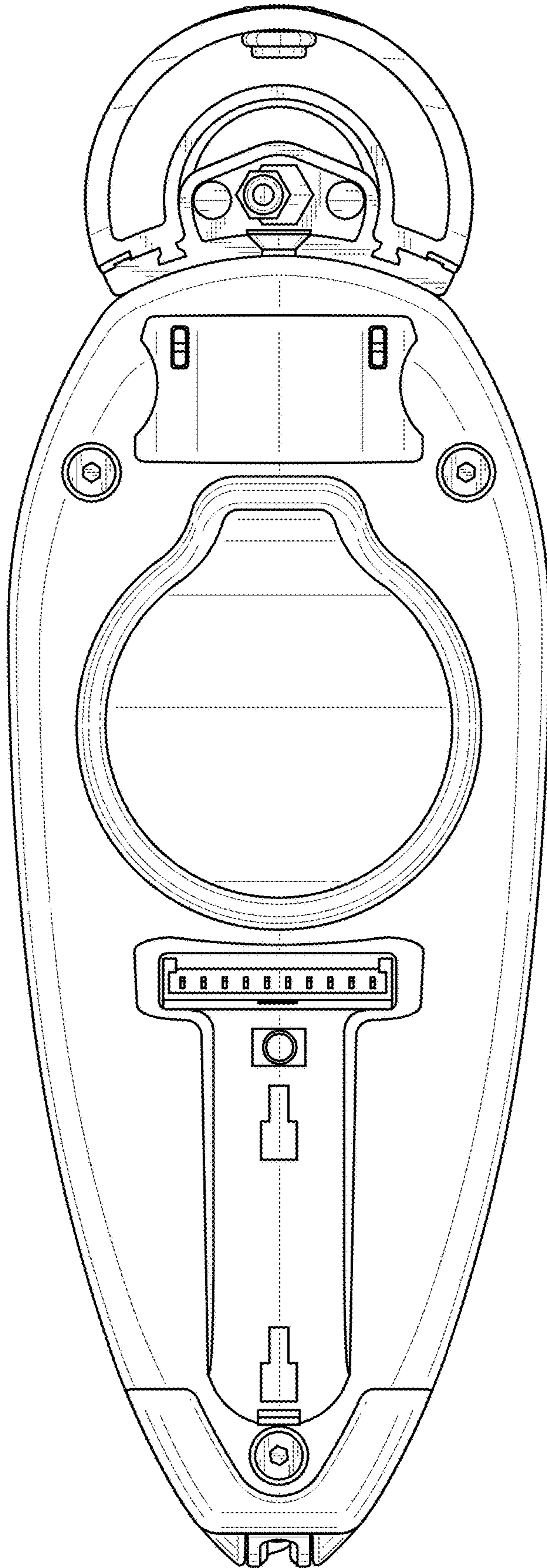


FIG. 5

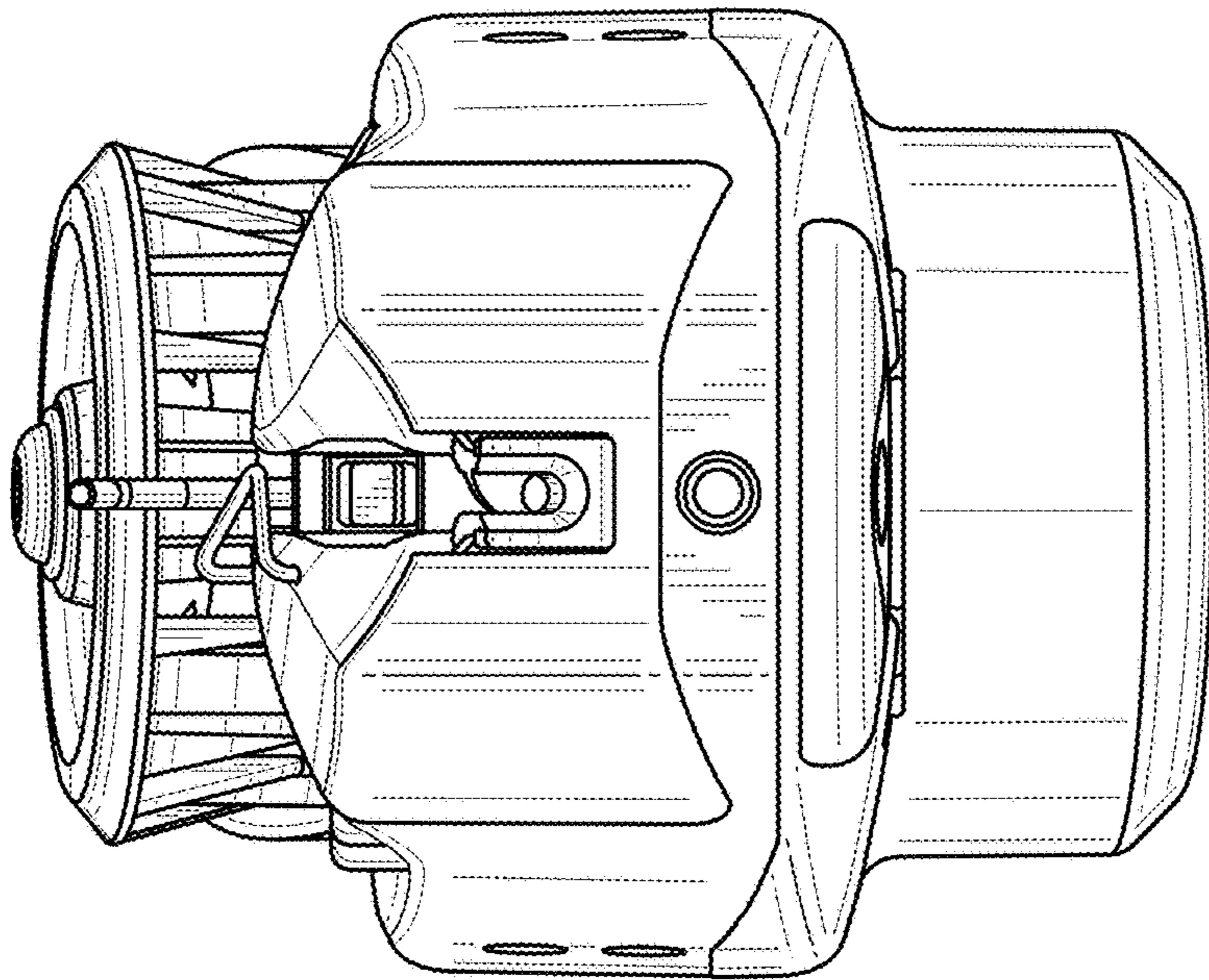


FIG. 6

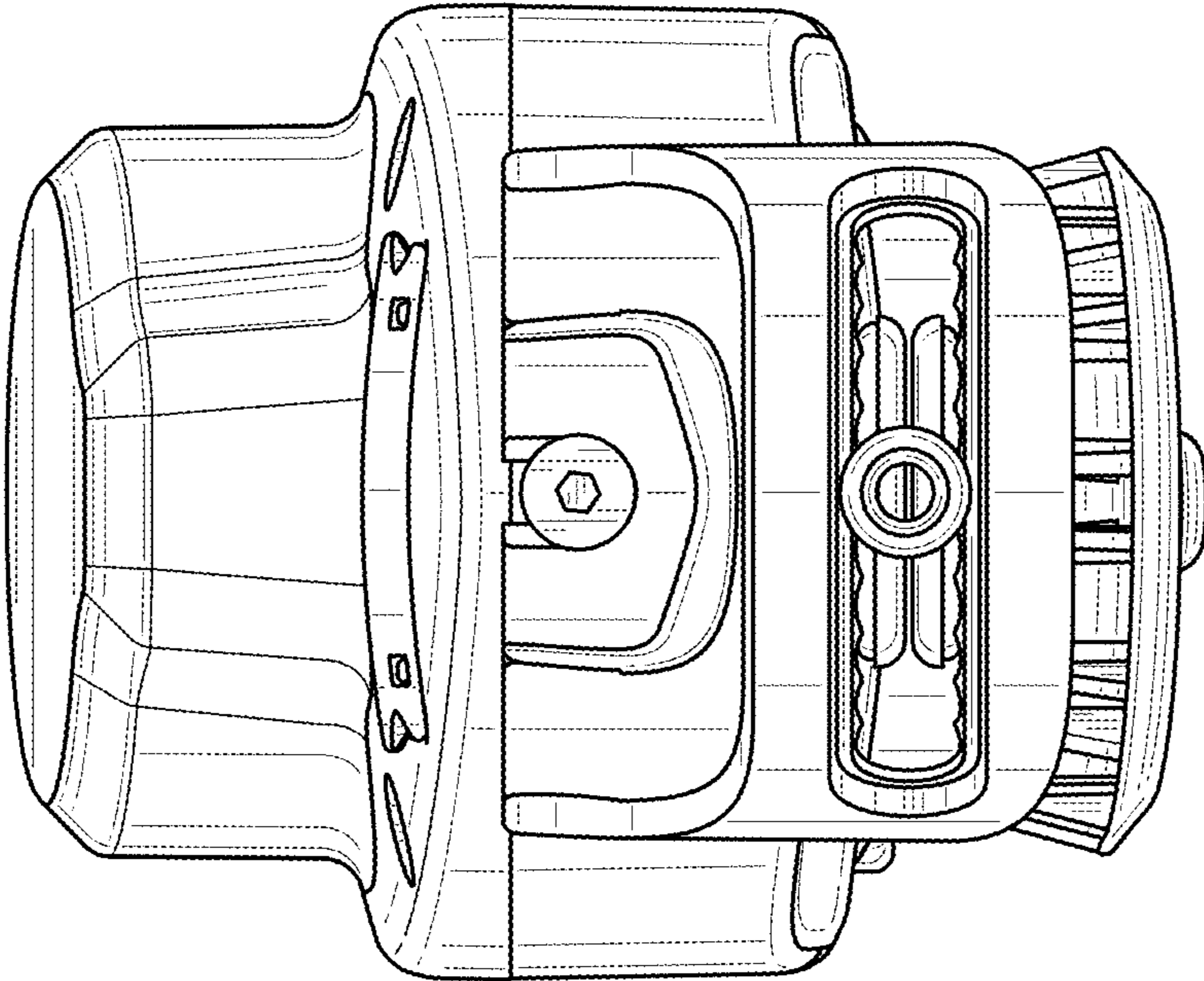


FIG. 7

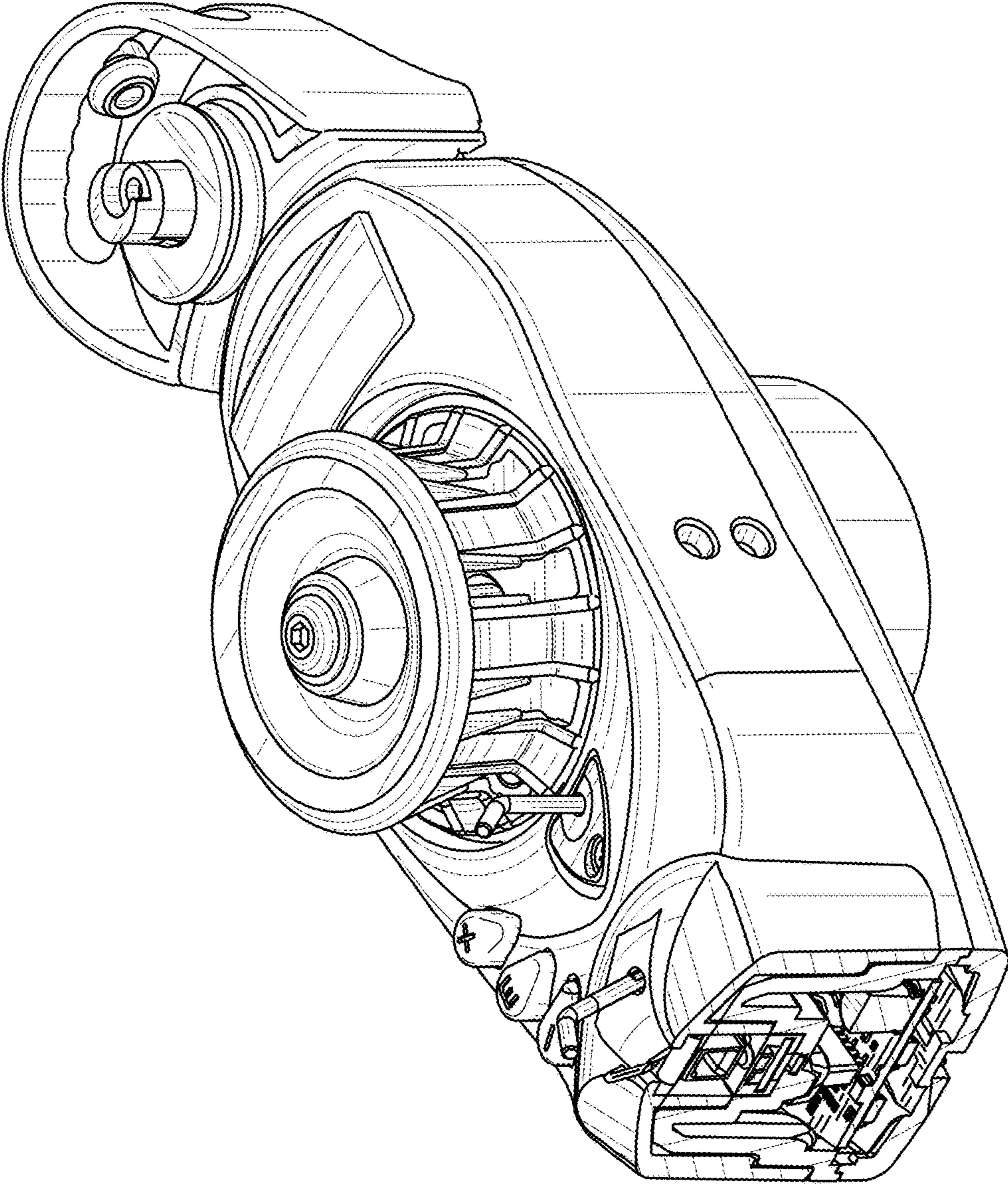


FIG. 8

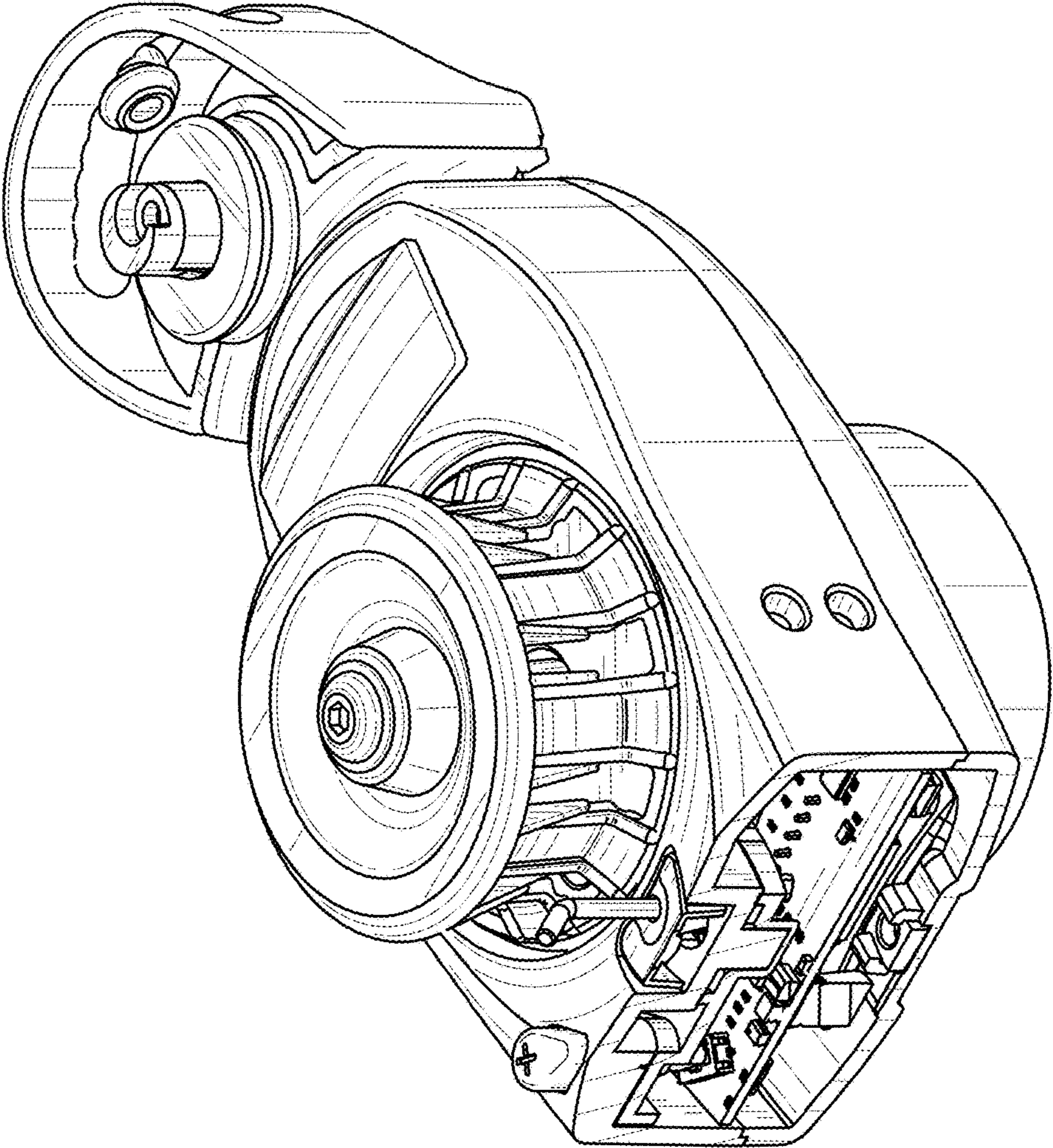


FIG. 9

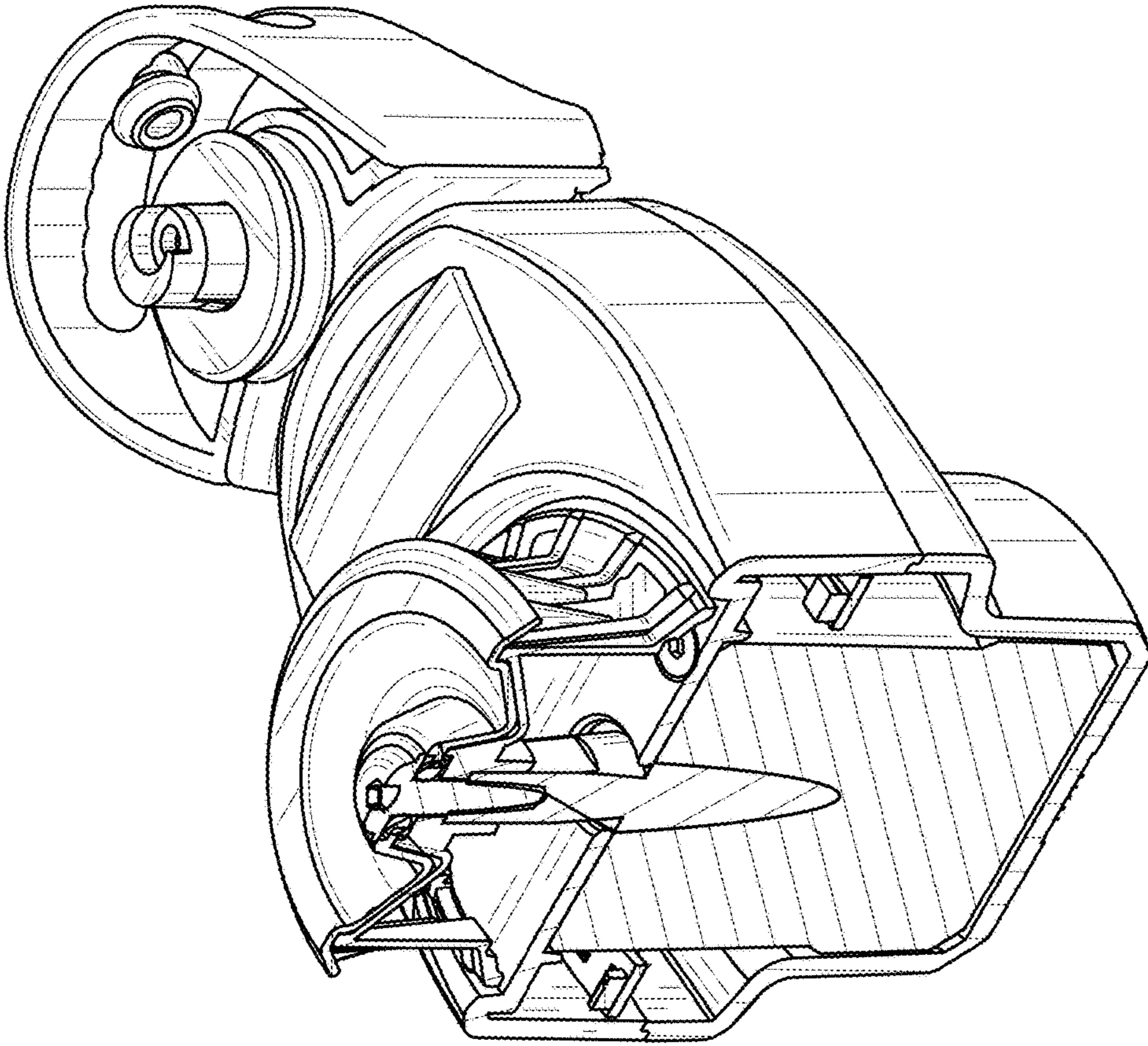


FIG. 10

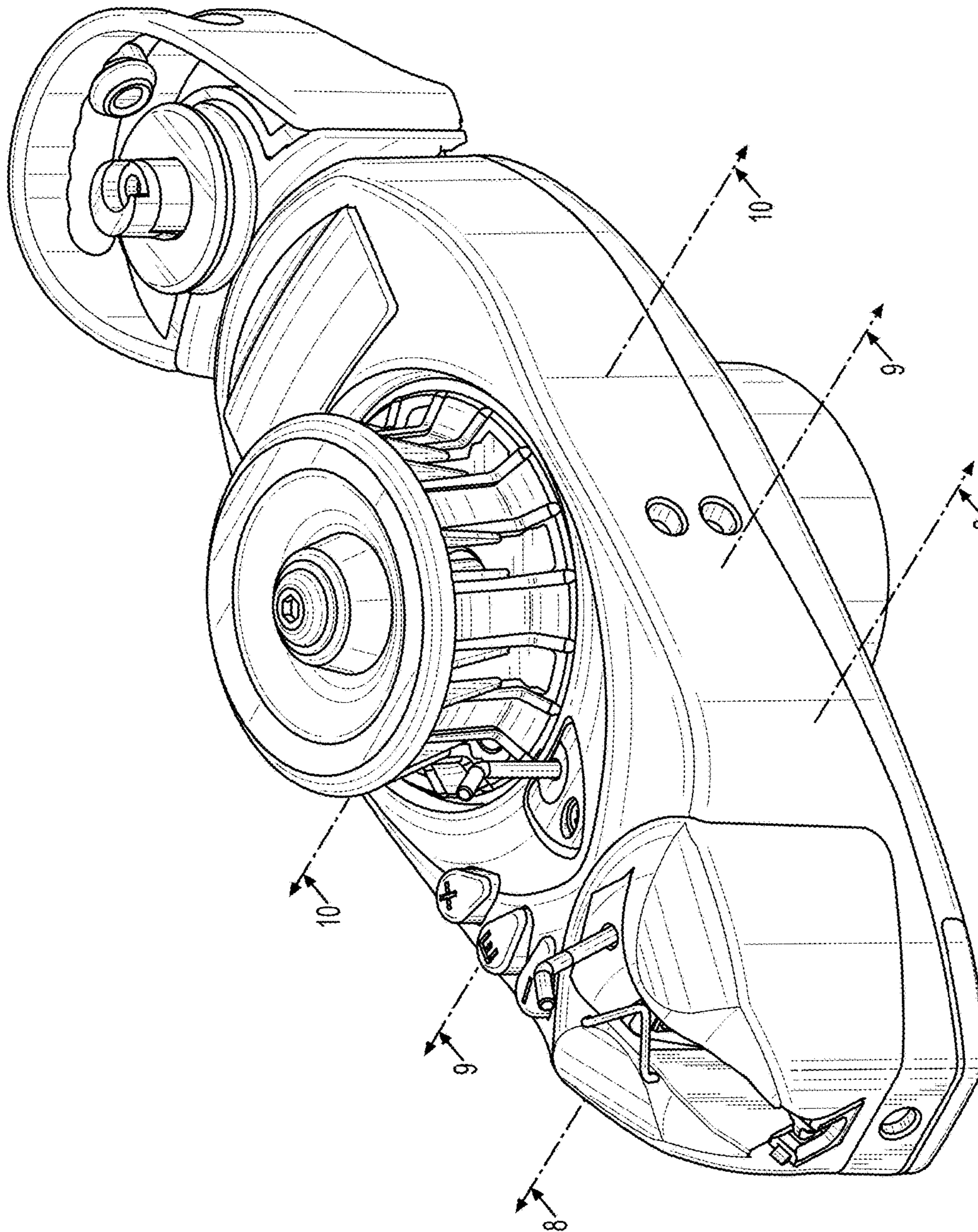


FIG. 11