

US00D794673S

(12) **United States Design Patent**
Omata

(10) **Patent No.:** **US D794,673 S**

(45) **Date of Patent:** **** Aug. 15, 2017**

(54) **DISPLAY SCREEN FOR DIGITAL CAMERA WITH GRAPHICAL USER INTERFACE**

D755,854 S * 5/2016 Quandt D14/492
9,401,117 B2 * 7/2016 Park G09G 3/36
2015/0129517 A1 * 5/2015 Wildes F24J 2/5245
211/41.1

(71) Applicant: **FUJIFILM Corporation**, Tokyo (JP)

* cited by examiner

(72) Inventor: **Takeharu Omata**, Tokyo (JP)

Primary Examiner — Barbara Fox

(73) Assignee: **FUJIFILM Corporation**, Tokyo (JP)

Assistant Examiner — Kristin E Reed

(**) Term: **14 Years**

(74) *Attorney, Agent, or Firm* — Sughrue Mion, PLLC

(21) Appl. No.: **29/517,961**

(57) **CLAIM**

(22) Filed: **Feb. 19, 2015**

The ornamental design for a display screen for digital camera with graphical user interface, as shown and described.

(30) **Foreign Application Priority Data**

DESCRIPTION

Aug. 19, 2014 (JP) 2014-017970

(51) **LOC (10) Cl.** **14-04**

(52) **U.S. Cl.**

USPC **D14/489**

(58) **Field of Classification Search**

USPC D14/485–495

CPC H04N 1/00424; G06Q 50/01; H04L 51/32;
H04L 12/581; H04L 12/1813; G06F

3/0489; G06F 2203/04807; H04M 1/2477

See application file for complete search history.

FIG. 1 is a top, rear and left side perspective view of a display screen for a digital camera with graphical user interface showing my new design;

FIG. 2 is a front elevational view thereof;

FIG. 3 is a rear elevational view thereof;

FIG. 4 is a top plan view thereof;

FIG. 5 is a bottom plan view thereof;

FIG. 6 is a left side elevational view thereof;

FIG. 7 is a right side elevational view thereof;

FIG. 8 is an enlarged view of the display screen, shown separately from the camera;

FIG. 9 is an enlarged view of a portion defined between arrowheads 9-9 of FIG. 8; and,

FIG. 10 is a rear elevational view of the digital camera according to an embodiment in which camera information is displayed not only on the display screen but also within a viewfinder of the camera body.

The broken line showing of a digital camera illustrates environment. The remainder of the broken lines illustrate portions of the display screen for digital camera with graphical user interface. The broken lines form no part of the claimed design.

(56) **References Cited**

U.S. PATENT DOCUMENTS

D400,870 S * 11/1998 Christensen D14/489

D606,554 S * 12/2009 Kocmick D14/492

D606,560 S * 12/2009 Kocmick D14/494

D696,289 S * 12/2013 Kern D14/488

D710,891 S * 8/2014 Hollobaugh D14/490

D711,913 S * 8/2014 Francisco D14/489

8,930,814 B2 * 1/2015 Nonaka G06F 17/00
345/419

D741,368 S * 10/2015 Supino D14/490

D741,902 S * 10/2015 Sakamoto D14/489

D754,193 S * 4/2016 Chen D14/489

1 Claim, 10 Drawing Sheets

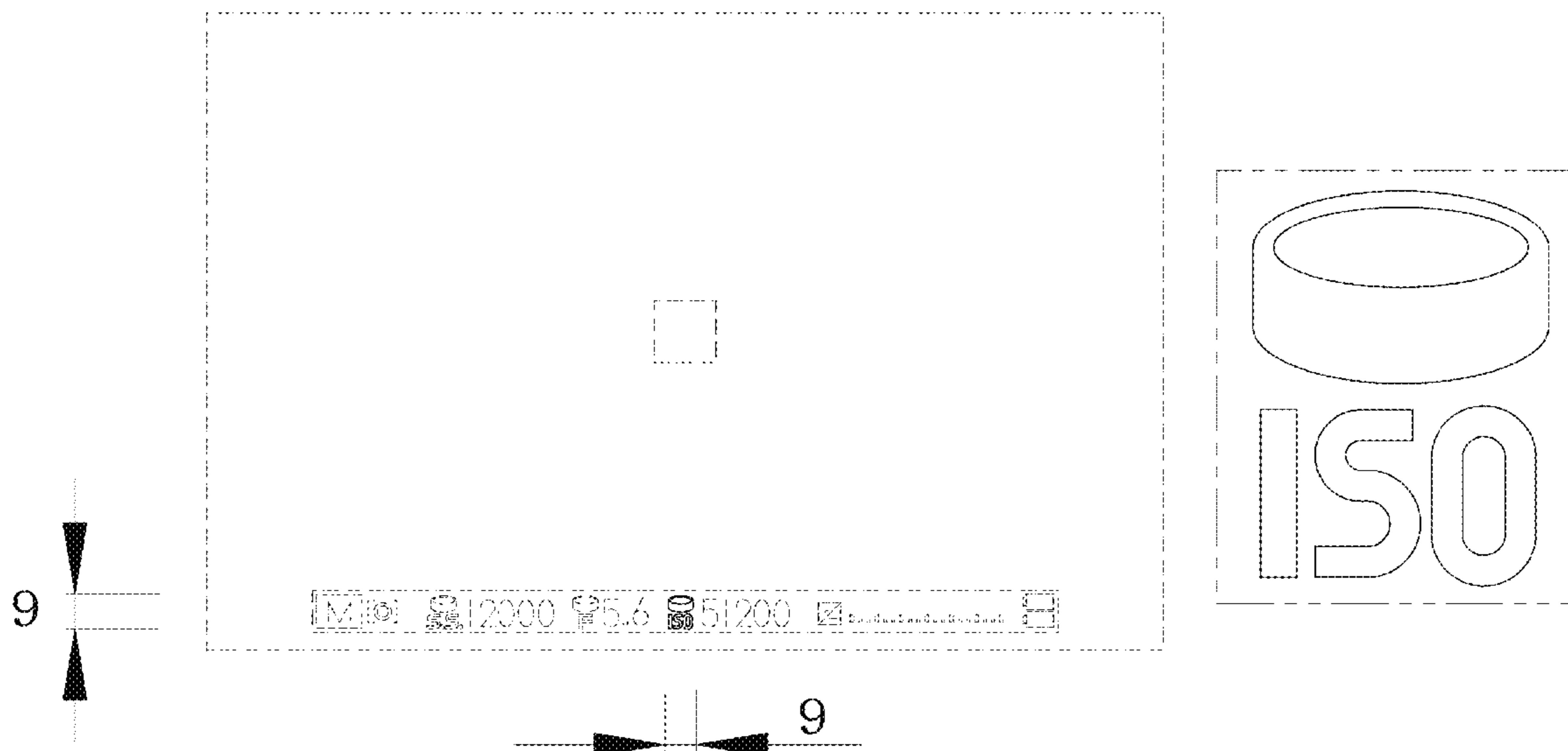


FIG. 1

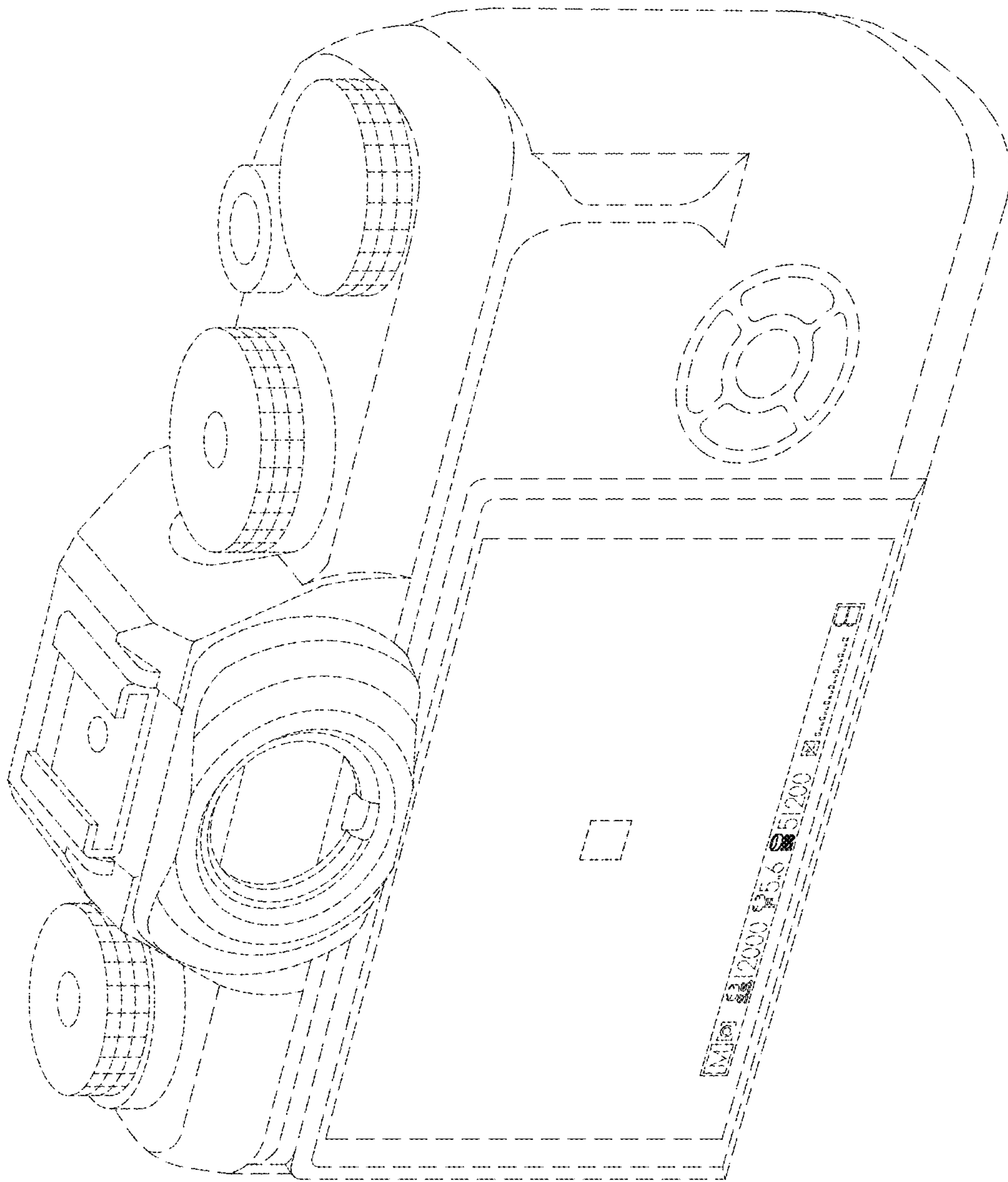


FIG. 2

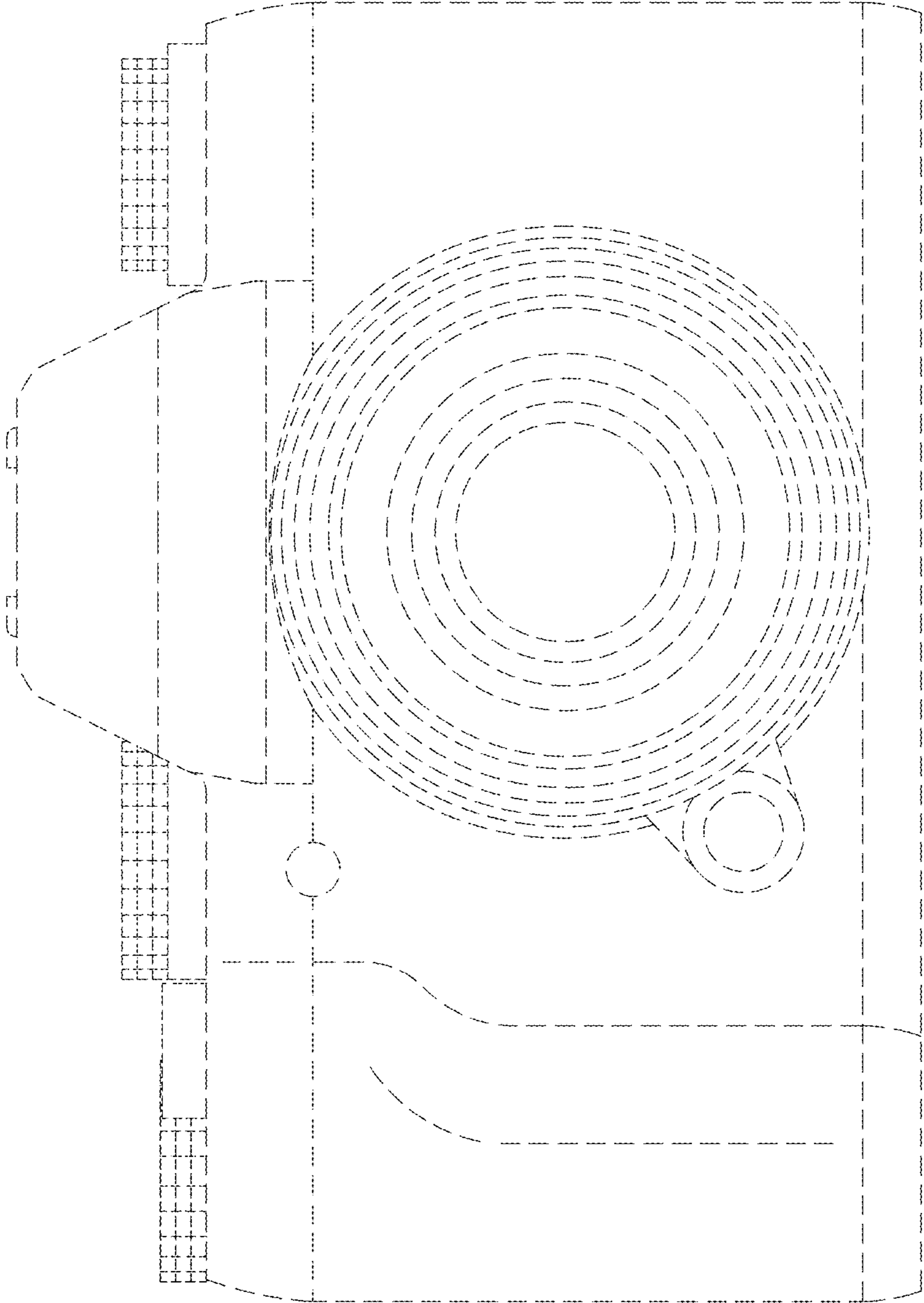


FIG. 3

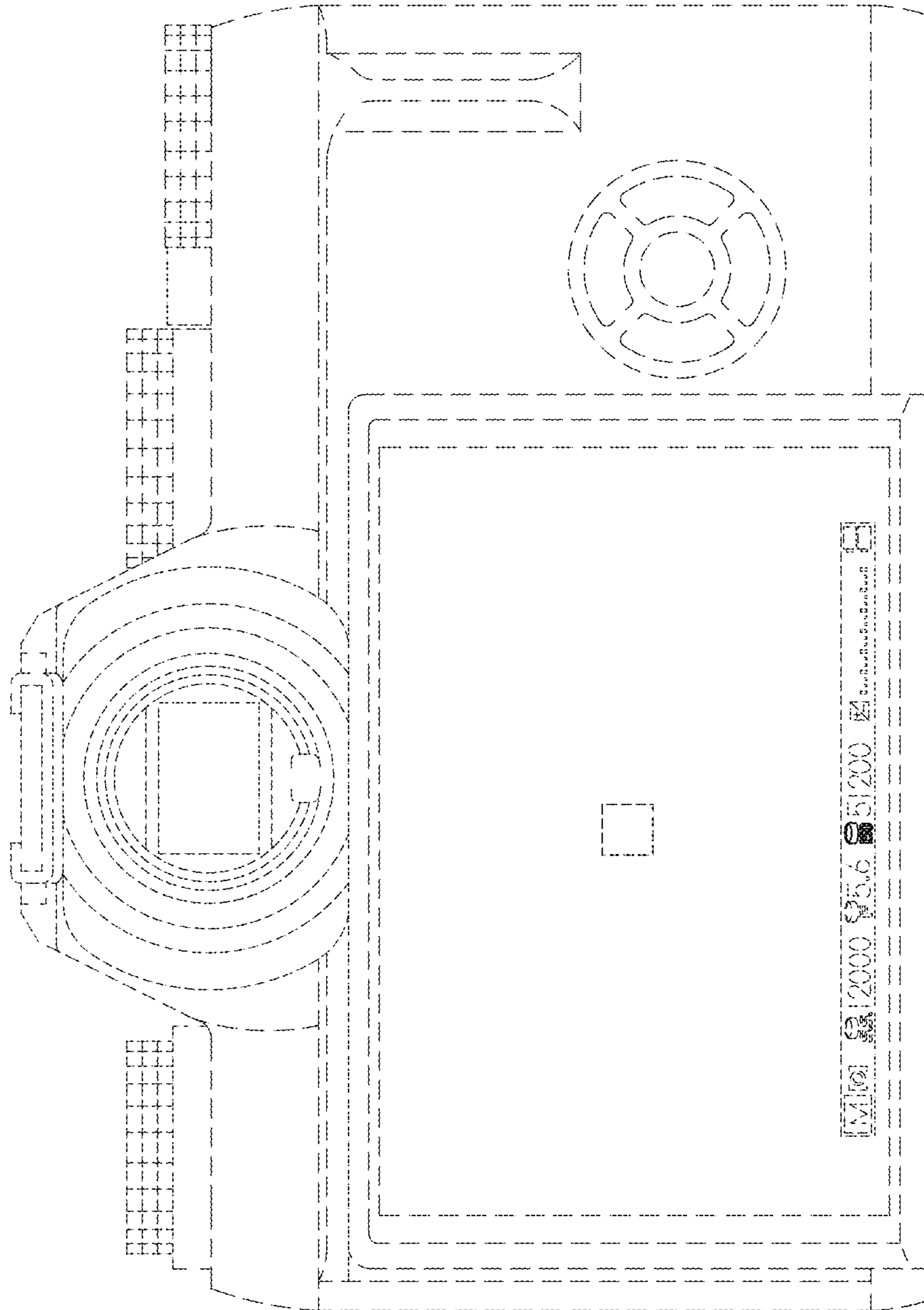


FIG. 4

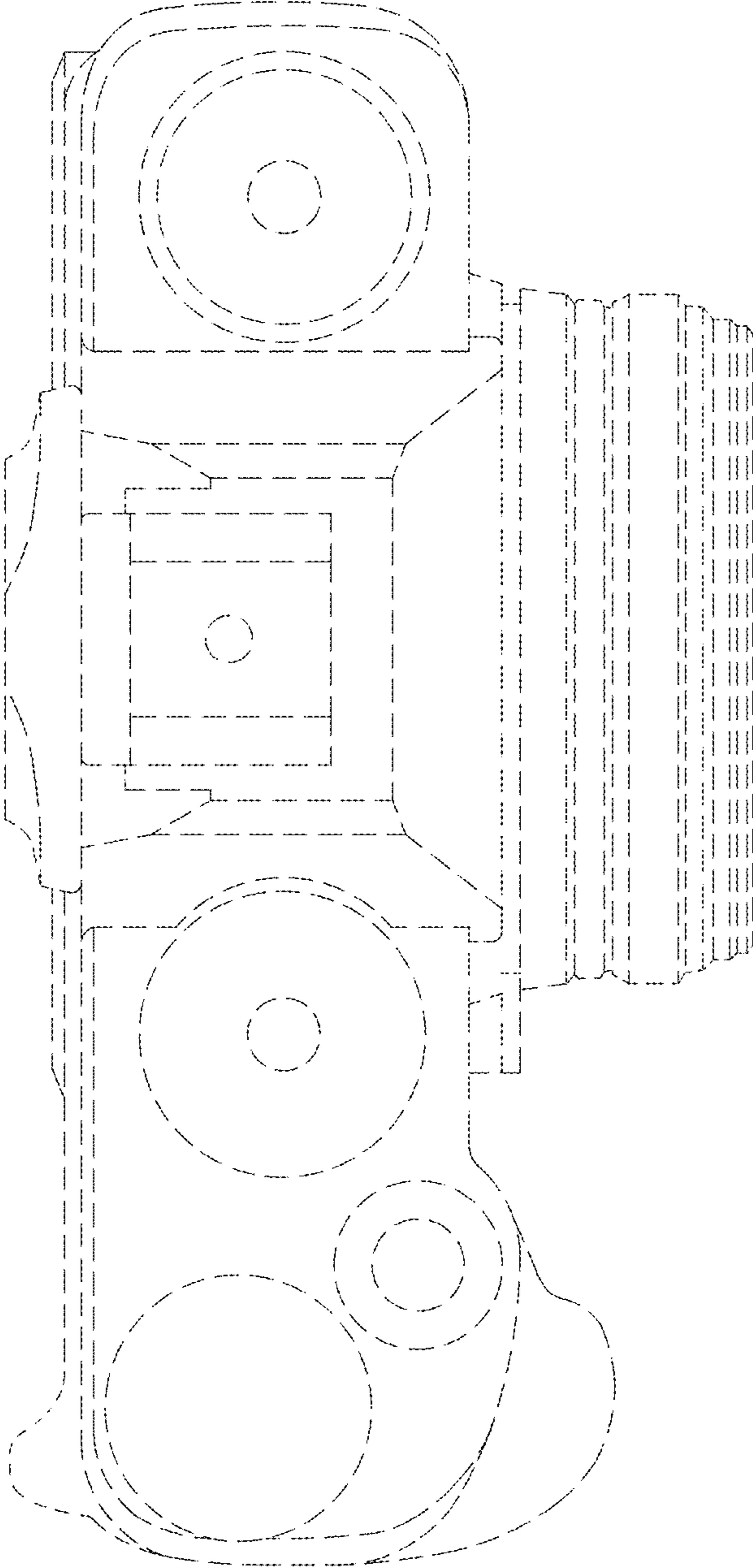


FIG. 5

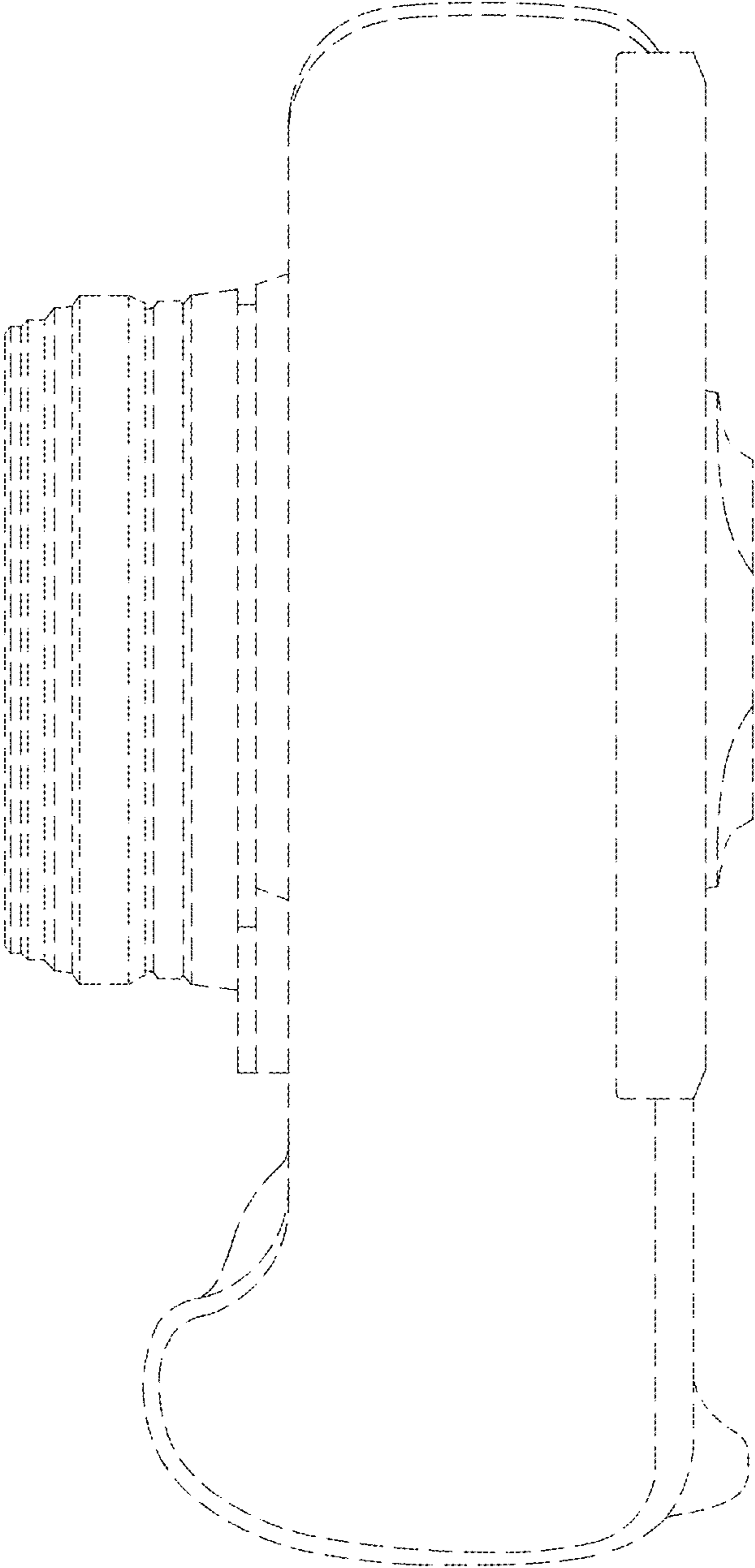


FIG. 6

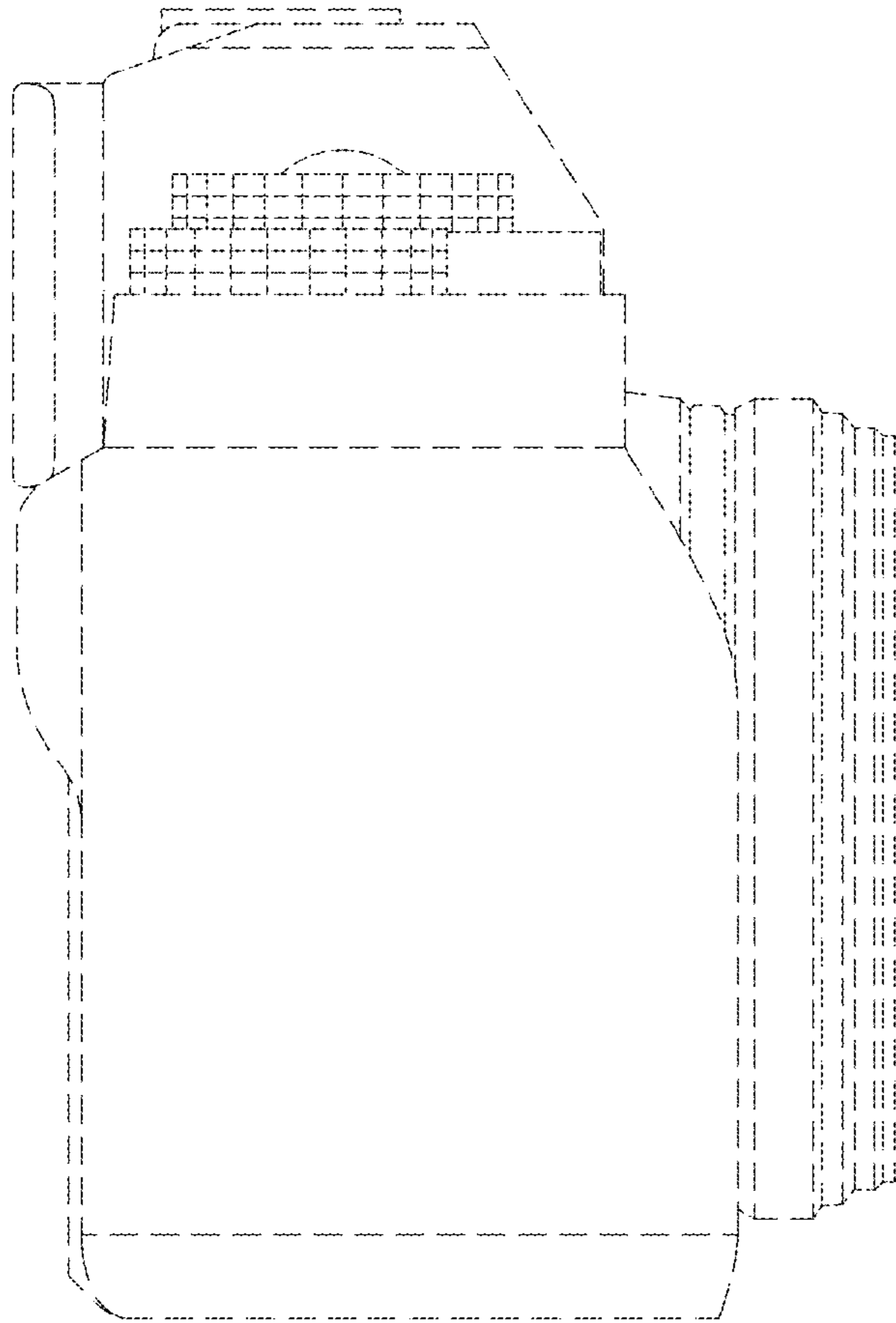


FIG. 7

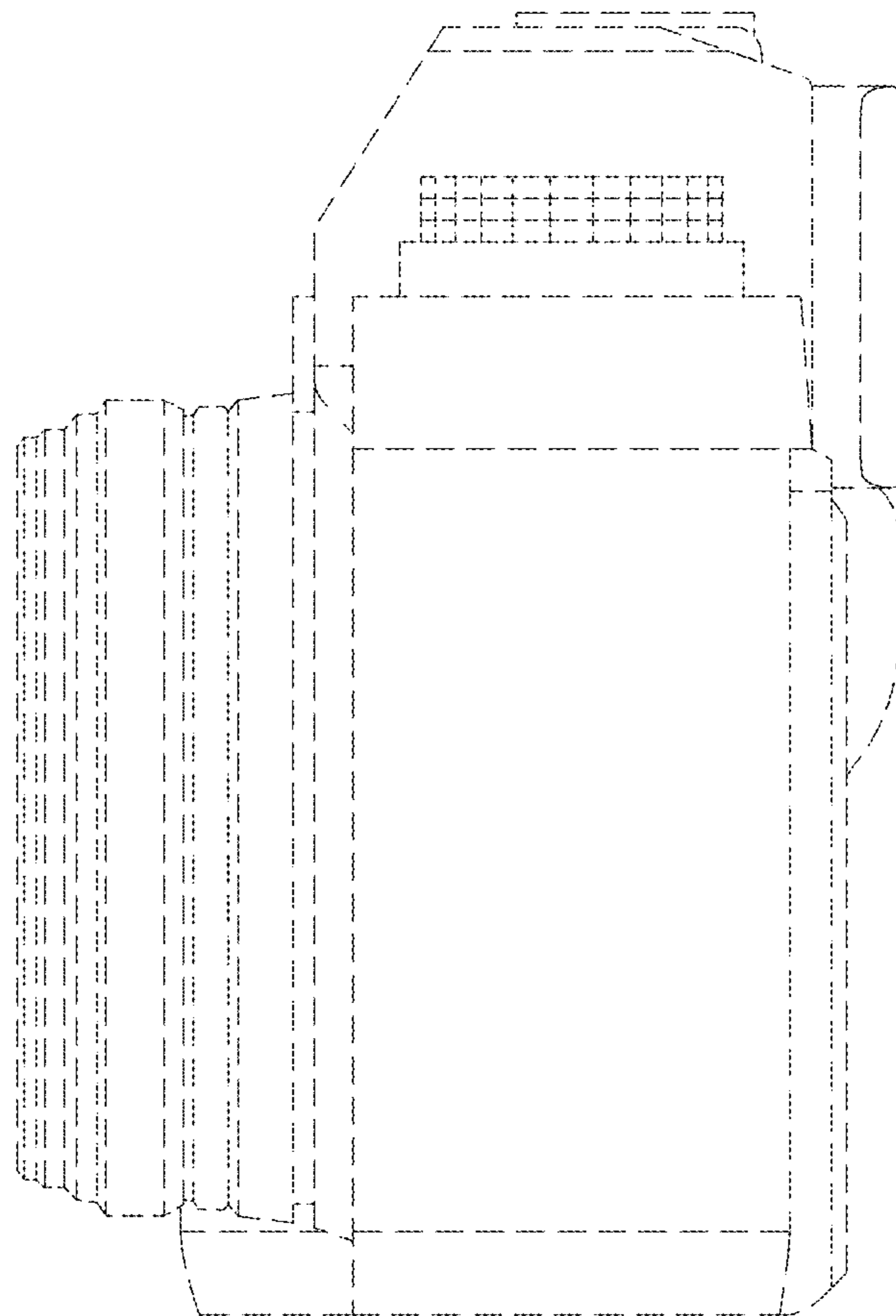


FIG. 8

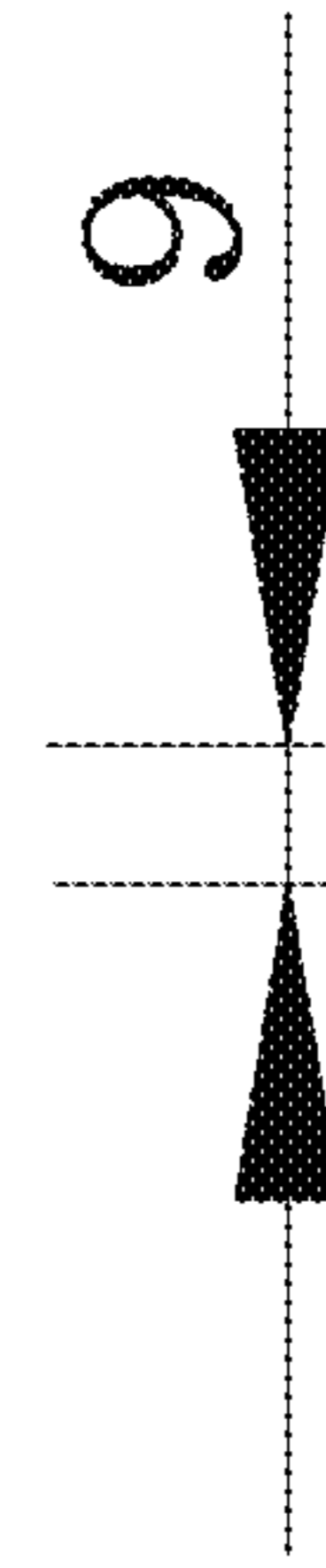
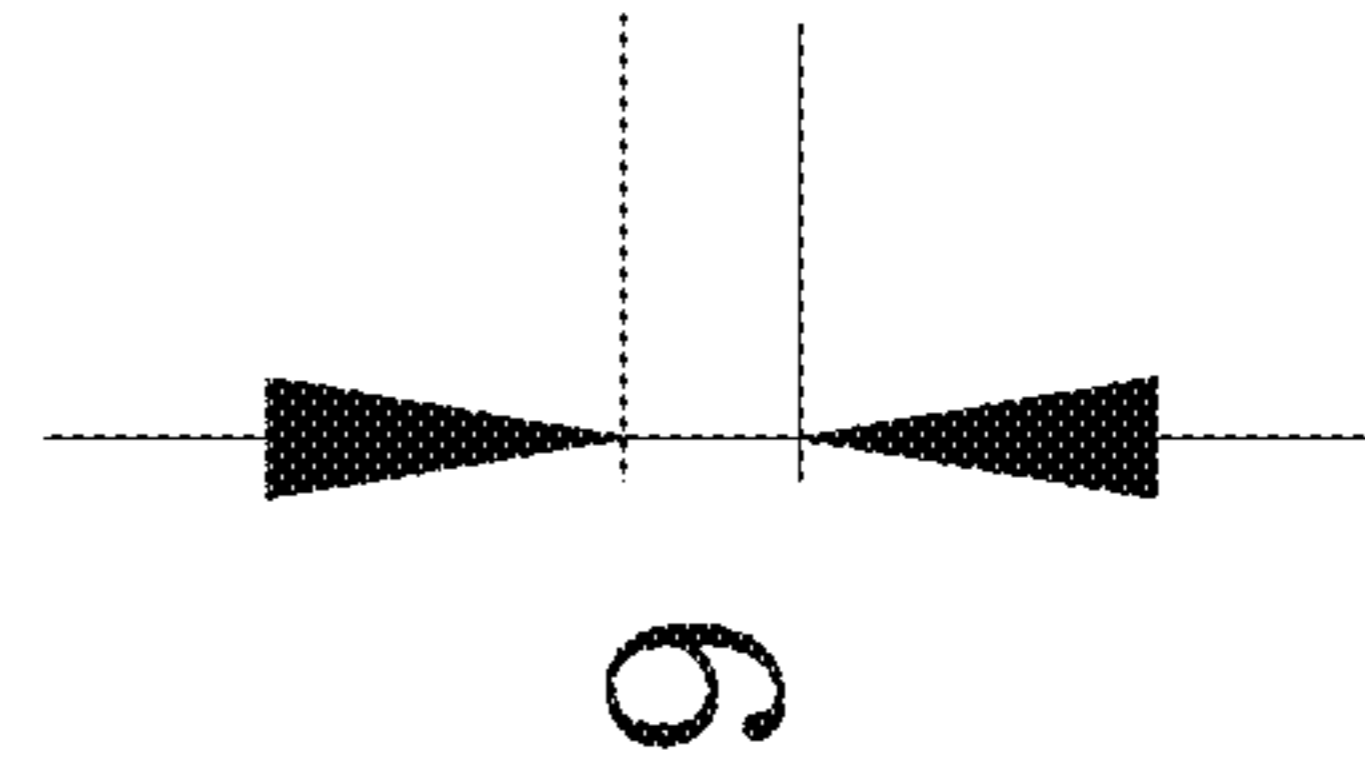
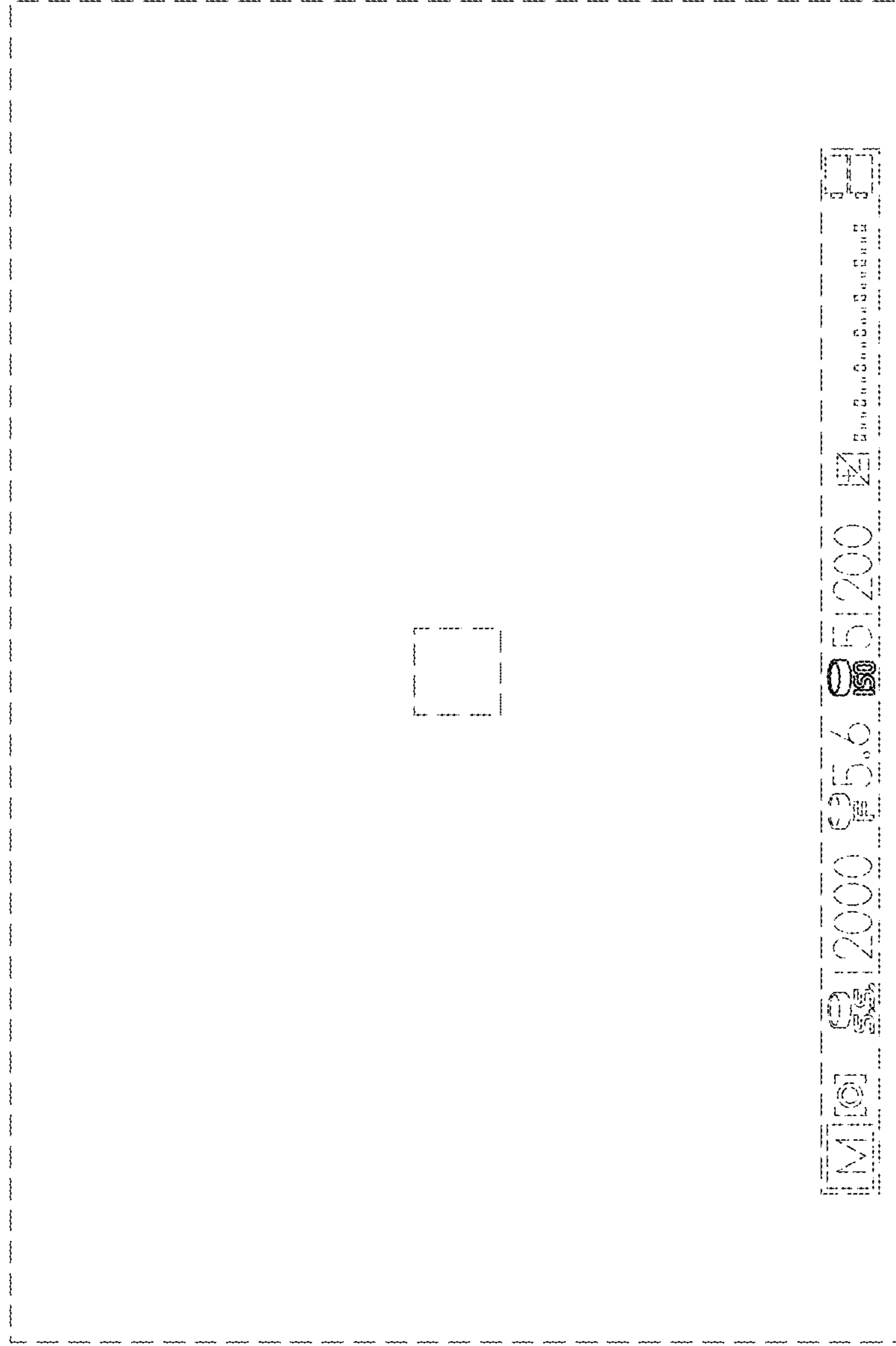


FIG. 9

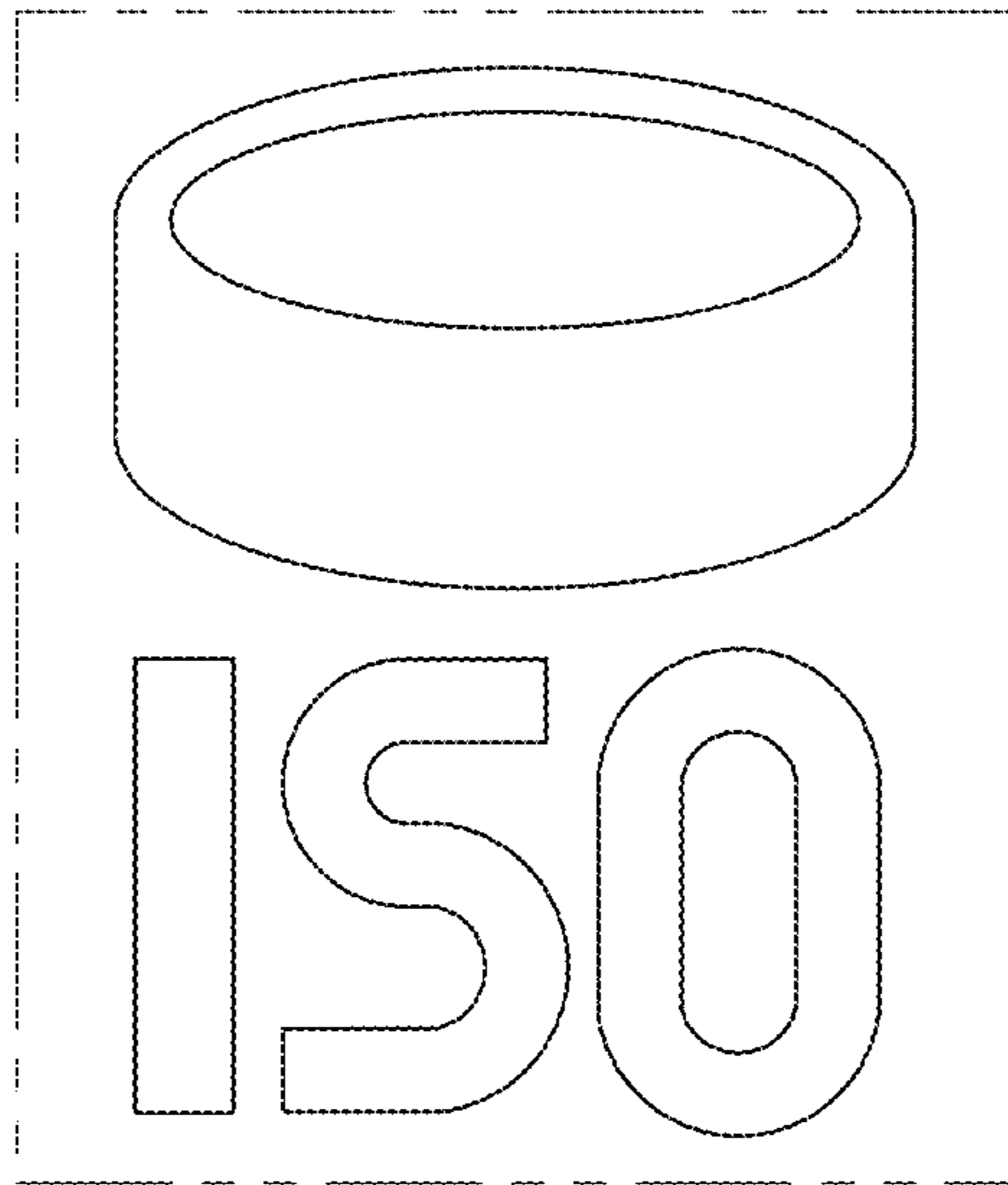


FIG. 10

