

US00D794648S

(12) **United States Design Patent** (10) **Patent No.:** **US D794,648 S**  
**Filipa de Góis Afonso** (45) **Date of Patent:** **\*\* Aug. 15, 2017**

(54) **DISPLAY PANEL WITH TRANSITIONAL COMPUTER ICON**

(71) Applicant: **VORTAL—COMÉRCIO ELECTRÓNICO, CONSULTADORA E MULTIMÉDIA, Oporto (PT)**

(72) Inventor: **Ana Filipa de Góis Afonso, Amadora (PT)**

(73) Assignee: **VORTAL—COMÉRCIO ELECTRÓNICO, CONSULTADORA E MULTIMÉDIA, Alfragide, Amadora (PT)**

(\*\*) Term: **14 Years**

(21) Appl. No.: **29/514,624**

(22) Filed: **Jan. 14, 2015**

(30) **Foreign Application Priority Data**

Nov. 5, 2014 (EM) ..... 002572255-0001  
Nov. 5, 2014 (EM) ..... 002572255-0002  
Nov. 5, 2014 (EM) ..... 002572255-0003  
Nov. 5, 2014 (EM) ..... 002572255-0004  
Nov. 5, 2014 (EM) ..... 002572255-0005  
Nov. 5, 2014 (EM) ..... 002572255-0006

(51) **LOC (10) Cl.** ..... **14-04**

(52) **U.S. Cl.**  
USPC ..... **D14/485**

(58) **Field of Classification Search**  
USPC ..... D14/485-495  
CPC ..... G06Q 10/0633; G06Q 10/103  
See application file for complete search history.

(56) **References Cited**

**U.S. PATENT DOCUMENTS**

D415,483 S \* 10/1999 Decker ..... D14/486  
6,115,690 A \* 9/2000 Wong ..... G06Q 10/0633  
700/237

7,184,967 B1 \* 2/2007 Mital ..... G06Q 10/10  
705/7.26  
2004/0078373 A1 \* 4/2004 Ghoneimy ..... G06Q 99/00  
2005/0038764 A1 \* 2/2005 Minsky ..... G06Q 10/06  
706/47  
2006/0074730 A1 \* 4/2006 Shukla ..... G06Q 10/06  
705/7.27  
2007/0083389 A1 \* 4/2007 Dyer ..... G06F 19/327  
705/2  
2008/0312997 A1 \* 12/2008 van Wyk ..... G06Q 10/06  
705/7.27

(Continued)

*Primary Examiner* — Robin V Webster

*Assistant Examiner* — Rachel Voorhies

(74) *Attorney, Agent, or Firm* — Leason Ellis LLP

(57) **CLAIM**

The ornamental design for a display panel with transitional computer icon, as shown and described.

**DESCRIPTION**

FIG. 1 is a front view of a first image in a sequence of my design;

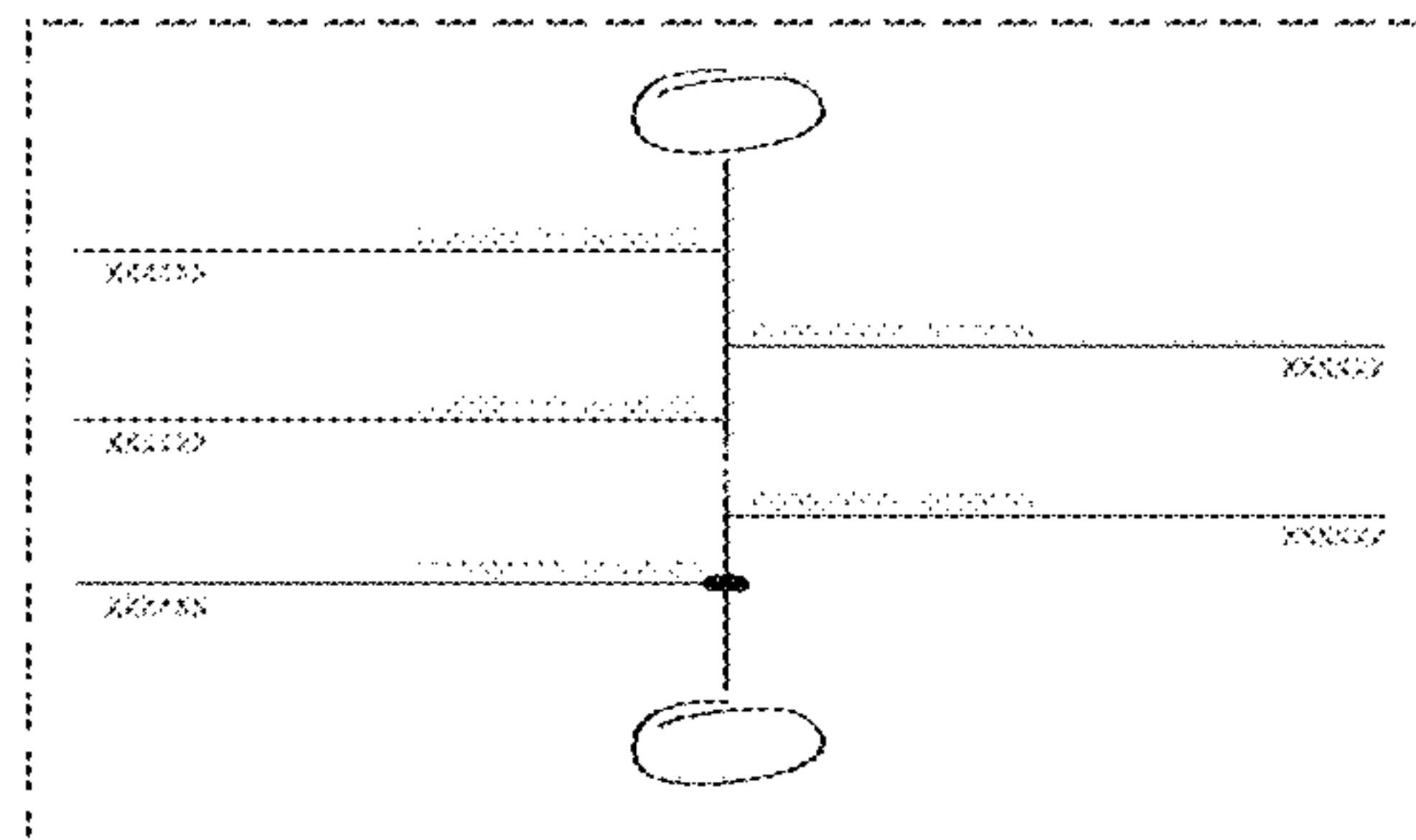
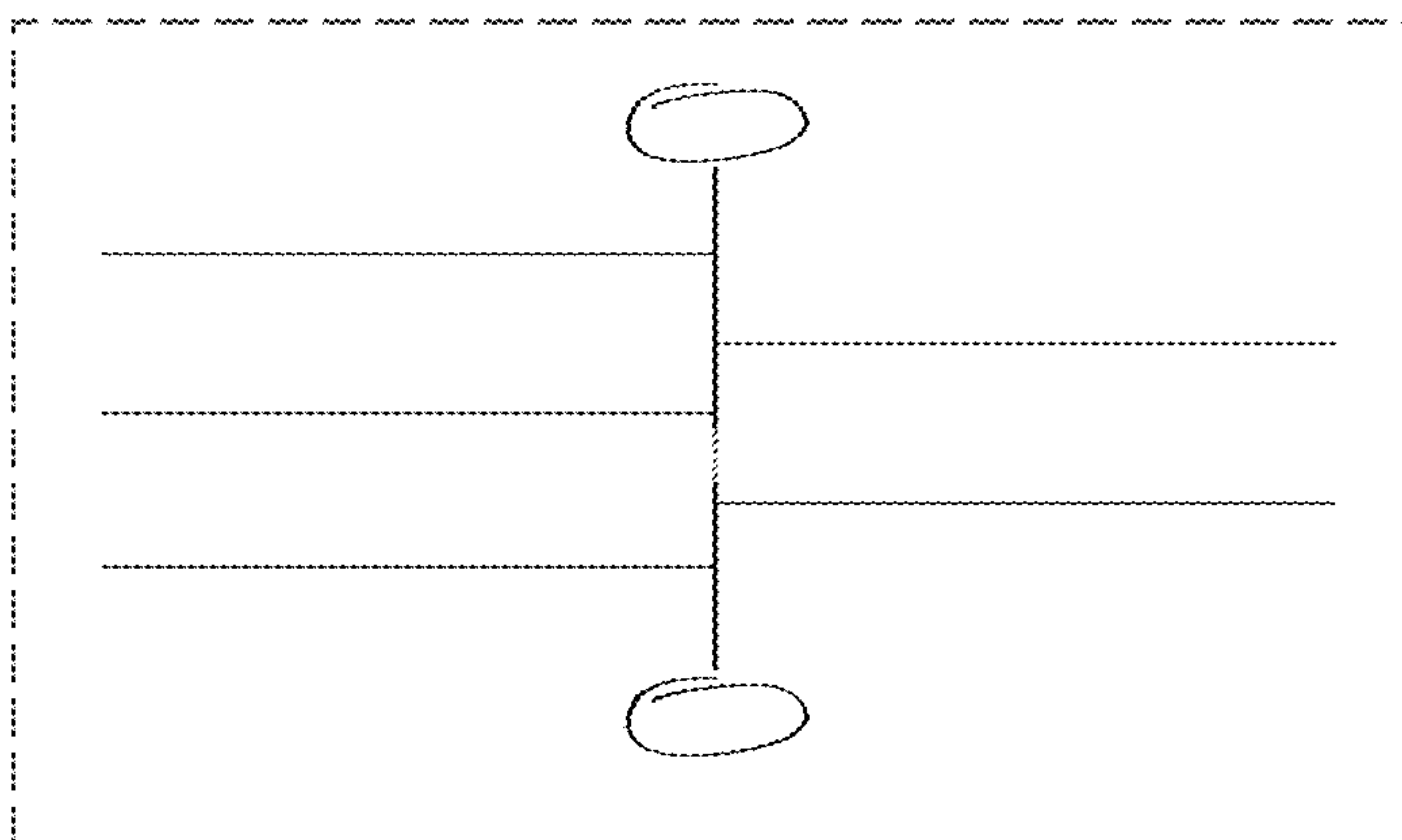
FIG. 2 is a front view of a second image in the sequence; and,

FIG. 3 is a front view of a third image in the sequence.

The subject matter in this patent includes a process or period during which an image sequentially transitions between the images shown in FIGS. 1-3. This process or period forms no part of the claimed design.

The broken lines illustrate a display screen or portion thereof and form no portion of the claimed design. The perimeters of the portion of the underlying portion of the display panel and the transitional computer icon are understood to be flush.

**1 Claim, 3 Drawing Sheets**



(56)

**References Cited**

U.S. PATENT DOCUMENTS

2011/0179110 A1\* 7/2011 Soloway ..... G06F 17/30292  
709/203  
2011/0205061 A1\* 8/2011 Wilson ..... G05B 19/042  
340/573.1  
2011/0209162 A1\* 8/2011 Machiraju ..... G06F 8/20  
719/328  
2013/0111429 A1\* 5/2013 Poole ..... G06F 8/71  
717/101  
2014/0067836 A1\* 3/2014 Holmes ..... G06F 17/30554  
707/756  
2015/0178861 A1\* 6/2015 Gordon ..... G06Q 10/103  
705/301

\* cited by examiner

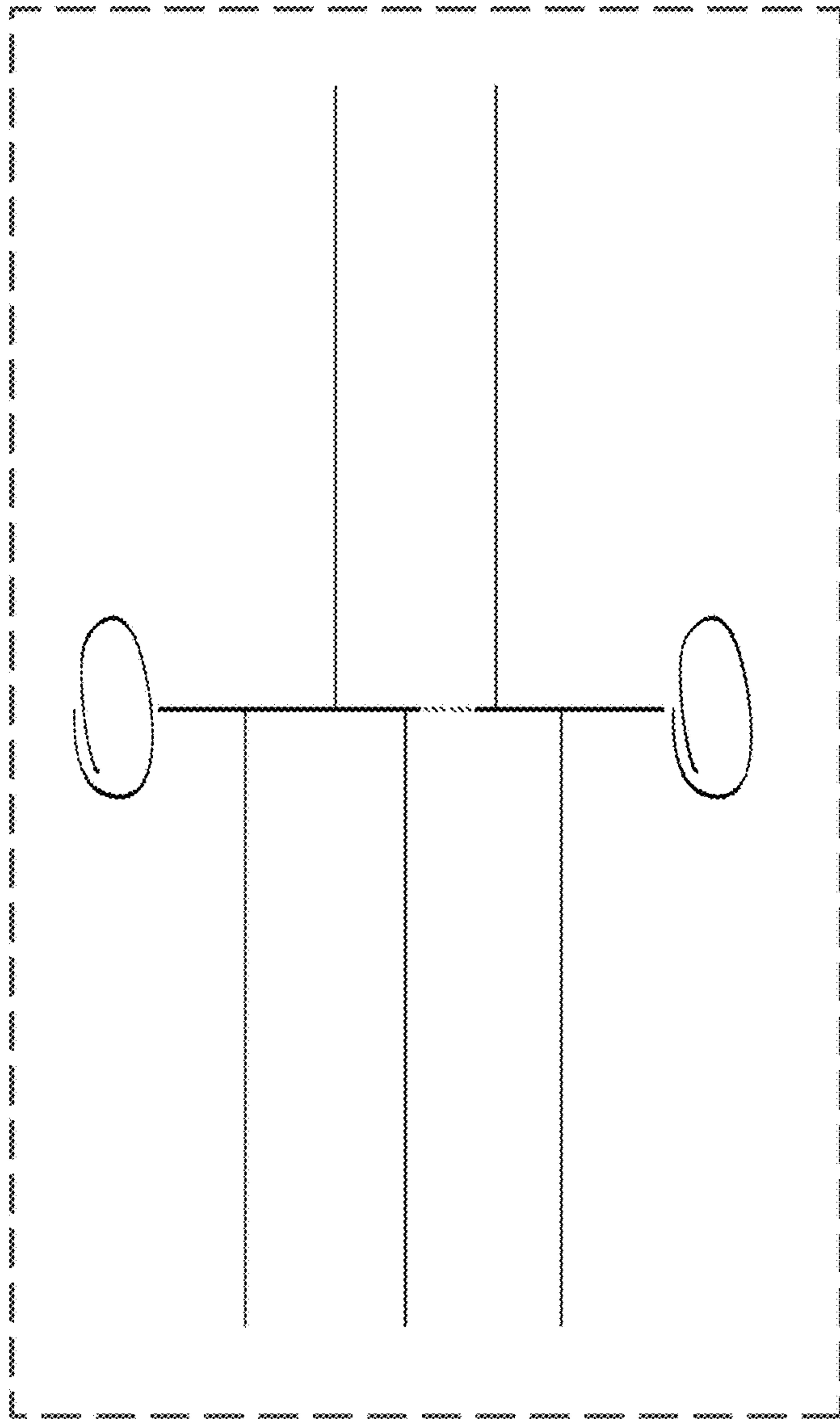


Fig. 1

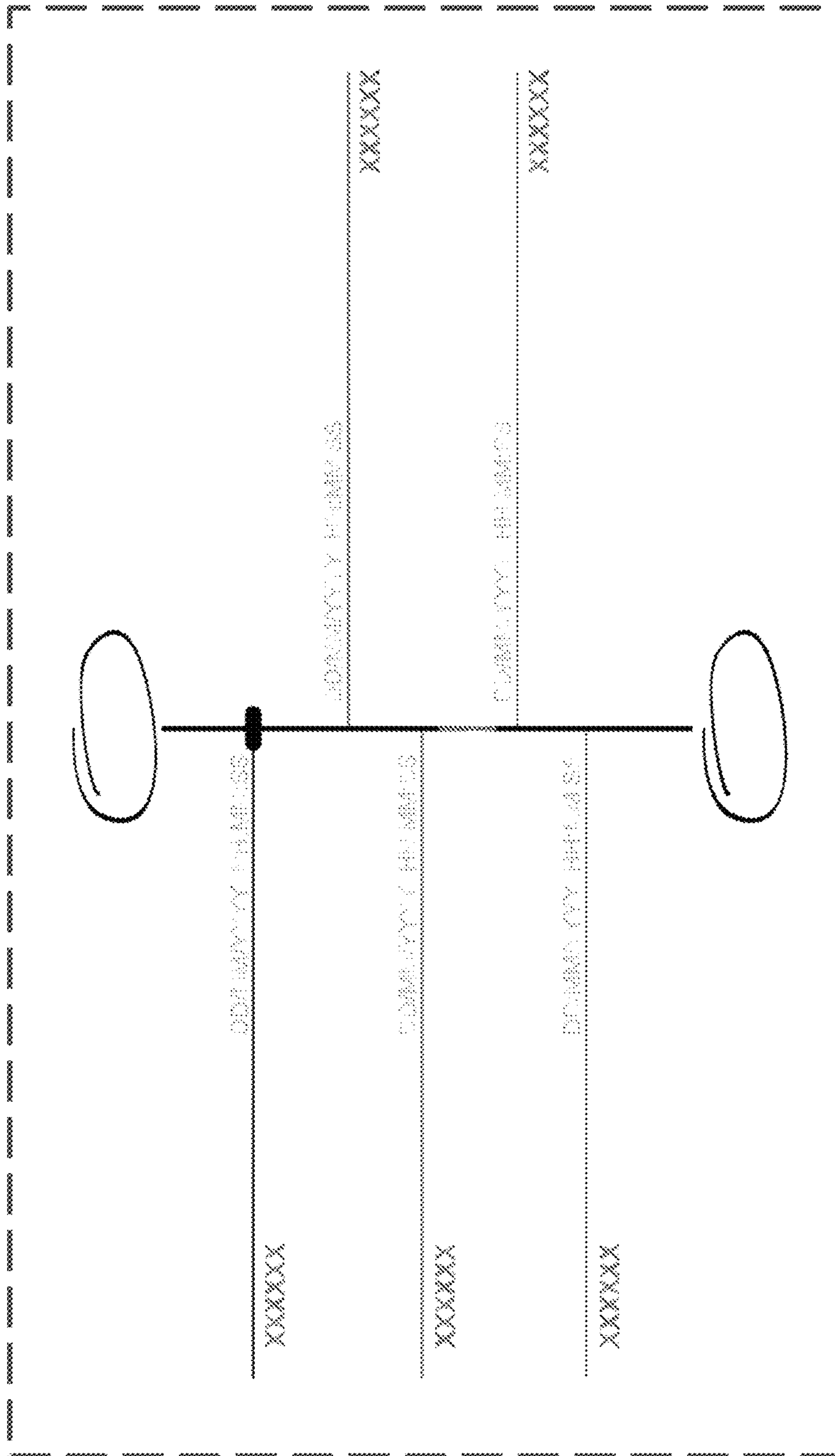


Fig. 2

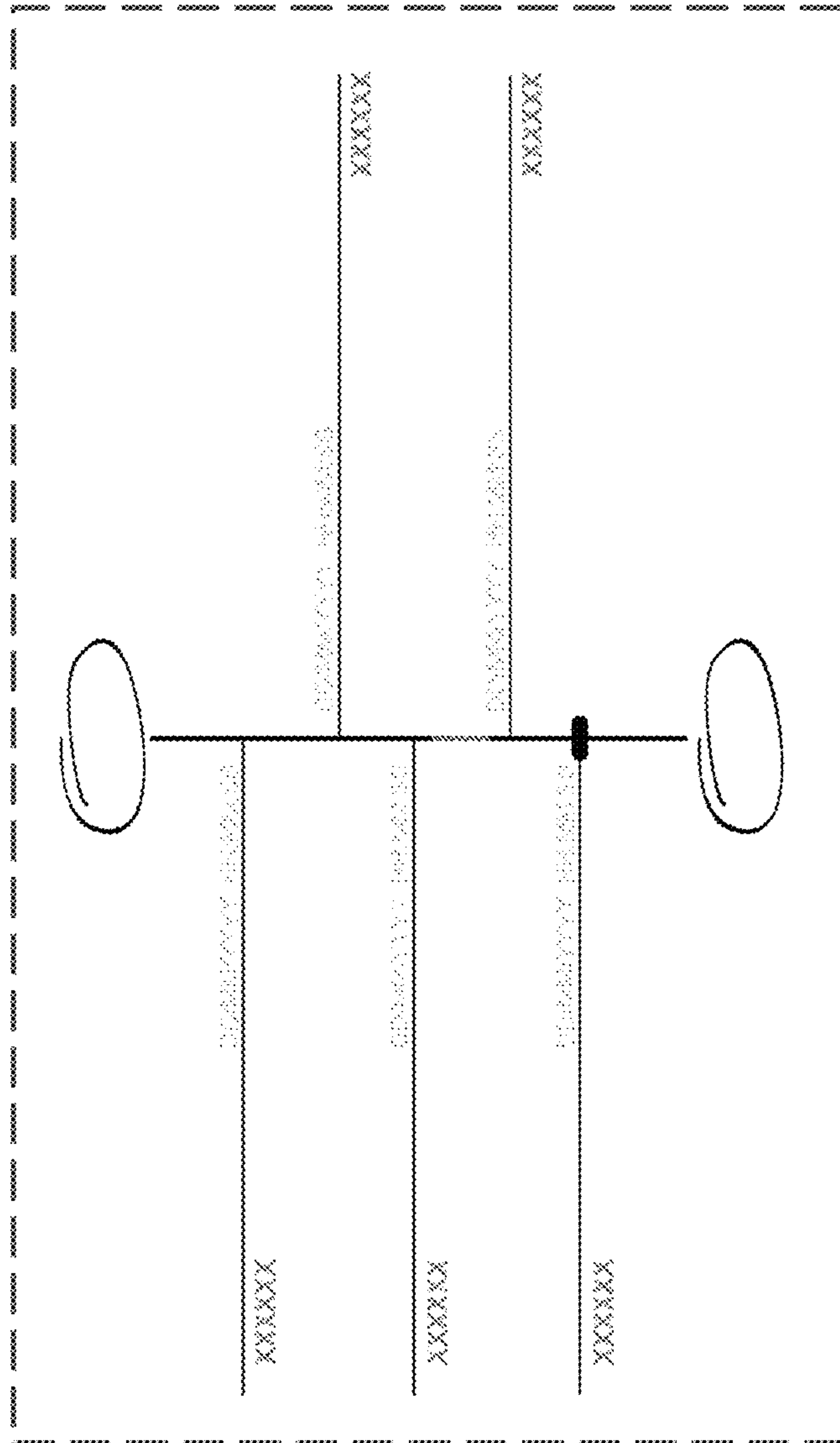


Fig. 3