



US00D794645S

(12) **United States Design Patent** (10) **Patent No.:** **US D794,645 S**
Erlick (45) **Date of Patent:** **** Aug. 15, 2017**

(54) **DEVICE COVER**

(71) Applicant: **Nancy Erlick**, Stuart, FL (US)

(72) Inventor: **Nancy Erlick**, Stuart, FL (US)

(**) Term: **15 Years**

(21) Appl. No.: **29/551,320**

(22) Filed: **Jan. 12, 2016**

(51) **LOC (10) Cl.** **14-02**

(52) **U.S. Cl.**
USPC **D14/440**

(58) **Field of Classification Search**
USPC D14/250, 440, 447, 253; 206/45.23, 320,
206/45.2, 316.2; 361/679.55; 294/25;
224/218

CPC G06F 1/1628; G06F 1/1613; G06F 1/1626;
A47B 23/044

See application file for complete search history.

(56) **References Cited**

U.S. PATENT DOCUMENTS

D678,870 S *	3/2013	Fathollahi	D14/250
D702,673 S *	4/2014	Murchison	D14/250
D711,886 S *	8/2014	Kerawala	D14/440
D730,646 S *	6/2015	DeChant	D3/247
D742,385 S *	11/2015	Chaney	D14/440
D752,594 S *	3/2016	Matsuoka	D14/440
D754,114 S *	4/2016	Curtis	D14/250
D758,350 S *	6/2016	Mulumudi	D14/217
D759,004 S *	6/2016	Stevinson	D14/250
D765,069 S *	8/2016	Jeffrey	D14/250
D776,646 S *	1/2017	Deng	D14/250
2014/0098476 A1 *	4/2014	Severson	H05K 5/03 361/679.01

2014/0262853 A1 *	9/2014	DeChant	G06F 1/1628 206/45.2
2014/0262854 A1 *	9/2014	Chen	A45C 11/00 206/45.24
2016/0088750 A1 *	3/2016	Wu	F16M 11/10 248/688

OTHER PUBLICATIONS

2015 Newest phone cases for CC lipstick Funda for iphone 6
Leather phone cover for Apple iphone 6 with card holder.

* cited by examiner

Primary Examiner — Cythnia Underwood
(74) *Attorney, Agent, or Firm* — Locke Lord LLP; Rory
J. Radding; David J. Silvia

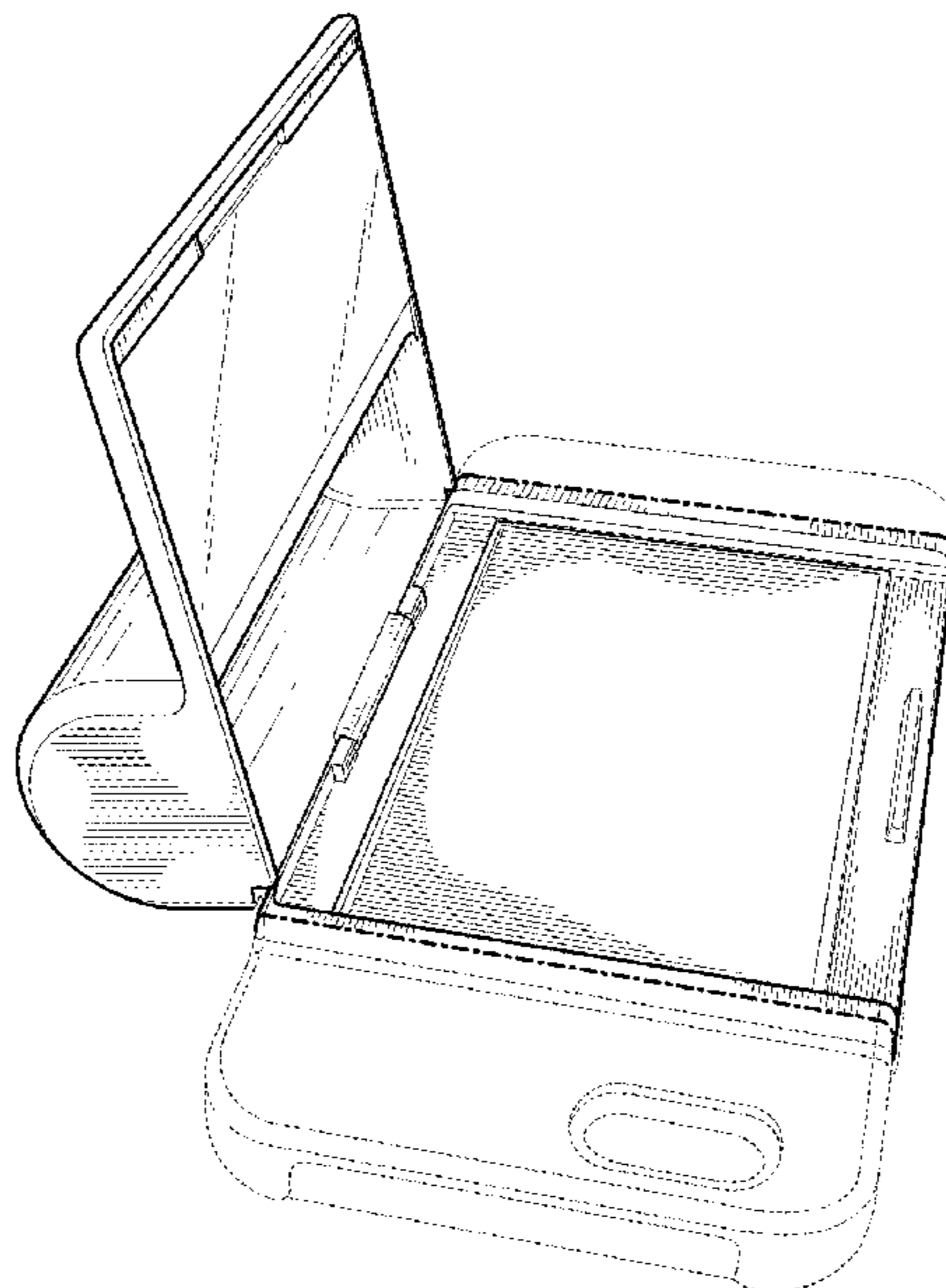
(57) **CLAIM**

The ornamental design for a device cover, as shown and
described.

DESCRIPTION

FIG. 1 is a view from above of the device cover of the
subject disclosure;
FIG. 2 is a bottom side view of the device cover of FIG. 1;
FIG. 3 is a top side view of the device cover of FIG. 1;
FIG. 4 is a right side view of the device cover of FIG. 1;
FIG. 5 is a left side view of the device cover of FIG. 1;
FIG. 6 is a top view of the device cover of FIG. 1 in its open
position;
FIG. 7 is a right side perspective view of the device cover
of FIG. 6;
FIG. 8 is a perspective view from above of the design cover
of FIG. 6; and,
FIG. 9 is a perspective bottom view of the device cover of
FIG. 6 in an open position.
The broken lines represent portions of the structure that
forms no part of the claim. The boundary lines represent the
boundary of the claim.

1 Claim, 5 Drawing Sheets



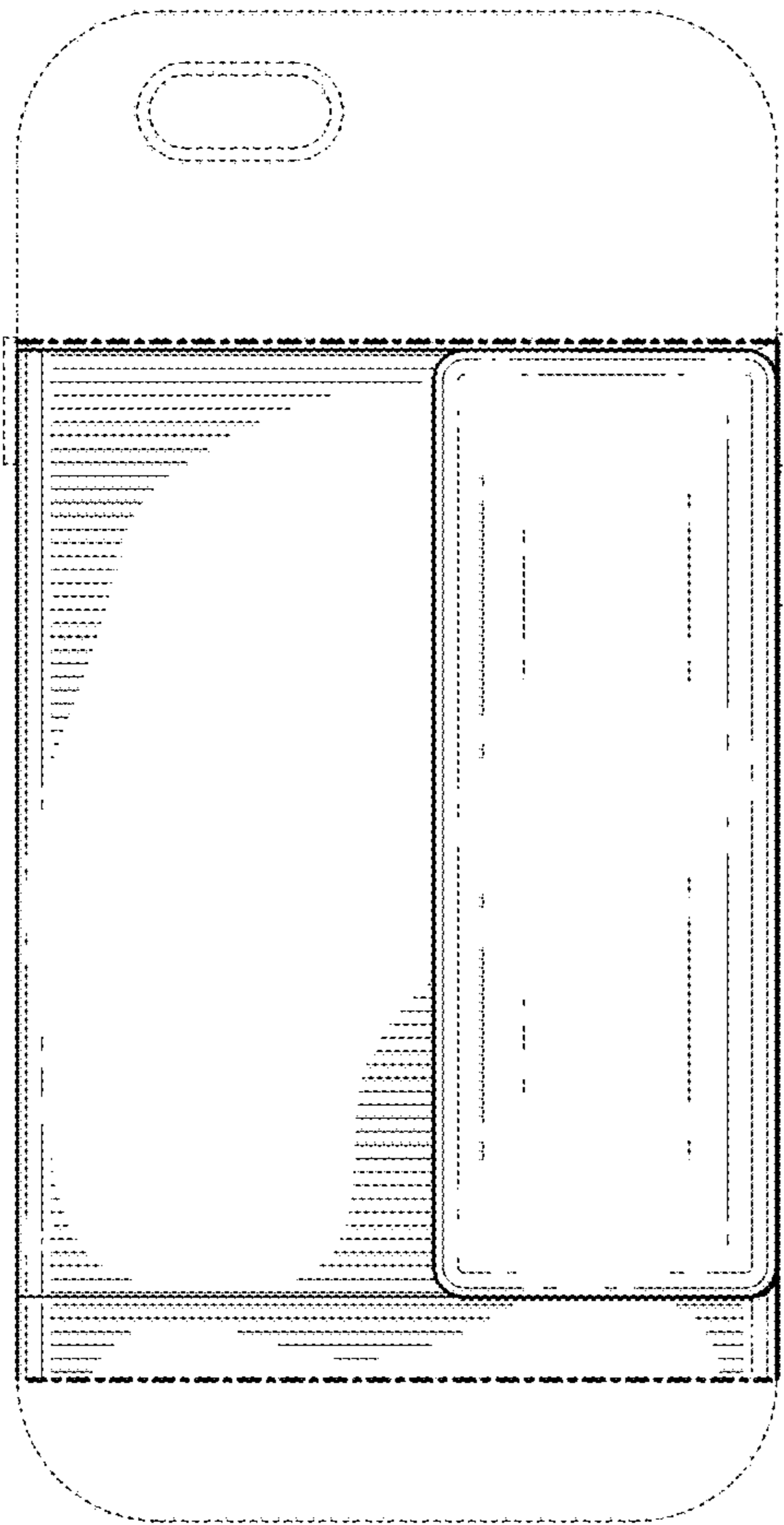


FIG. 1

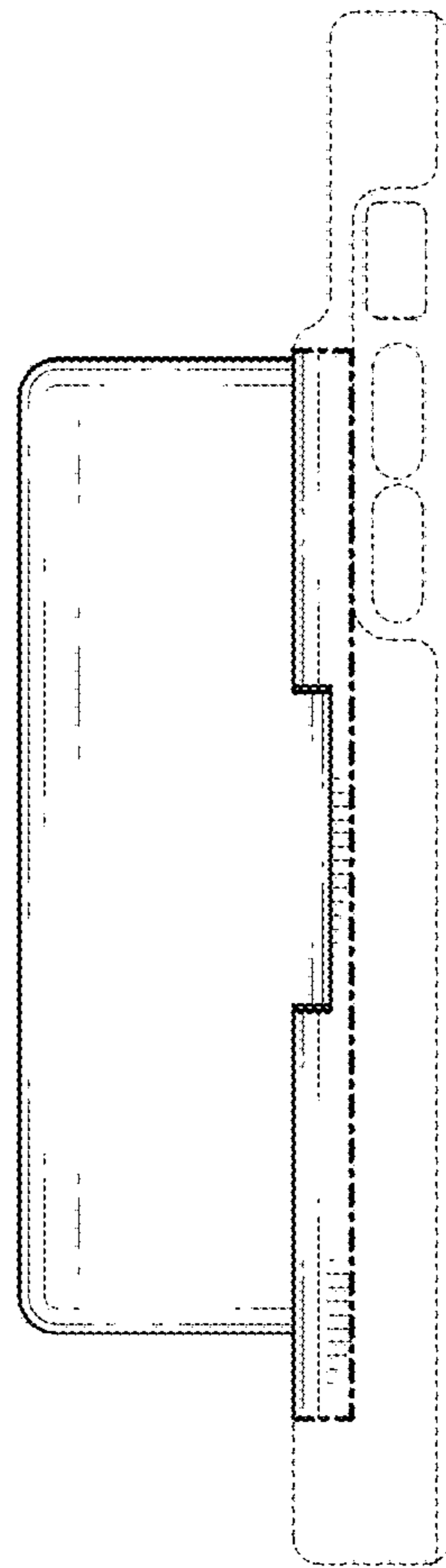


FIG. 2

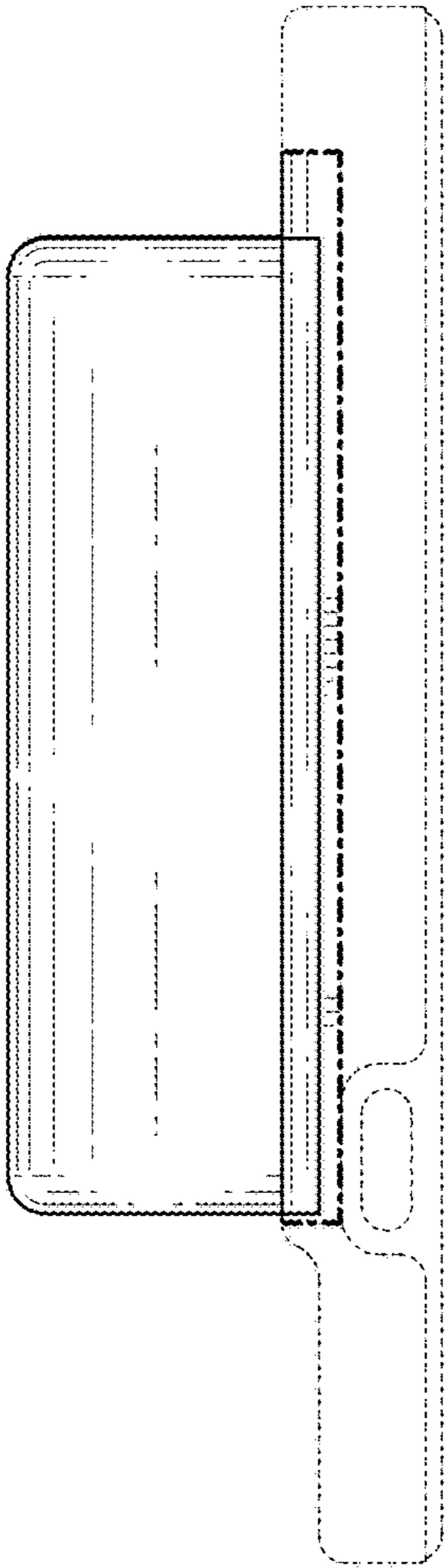


FIG. 3

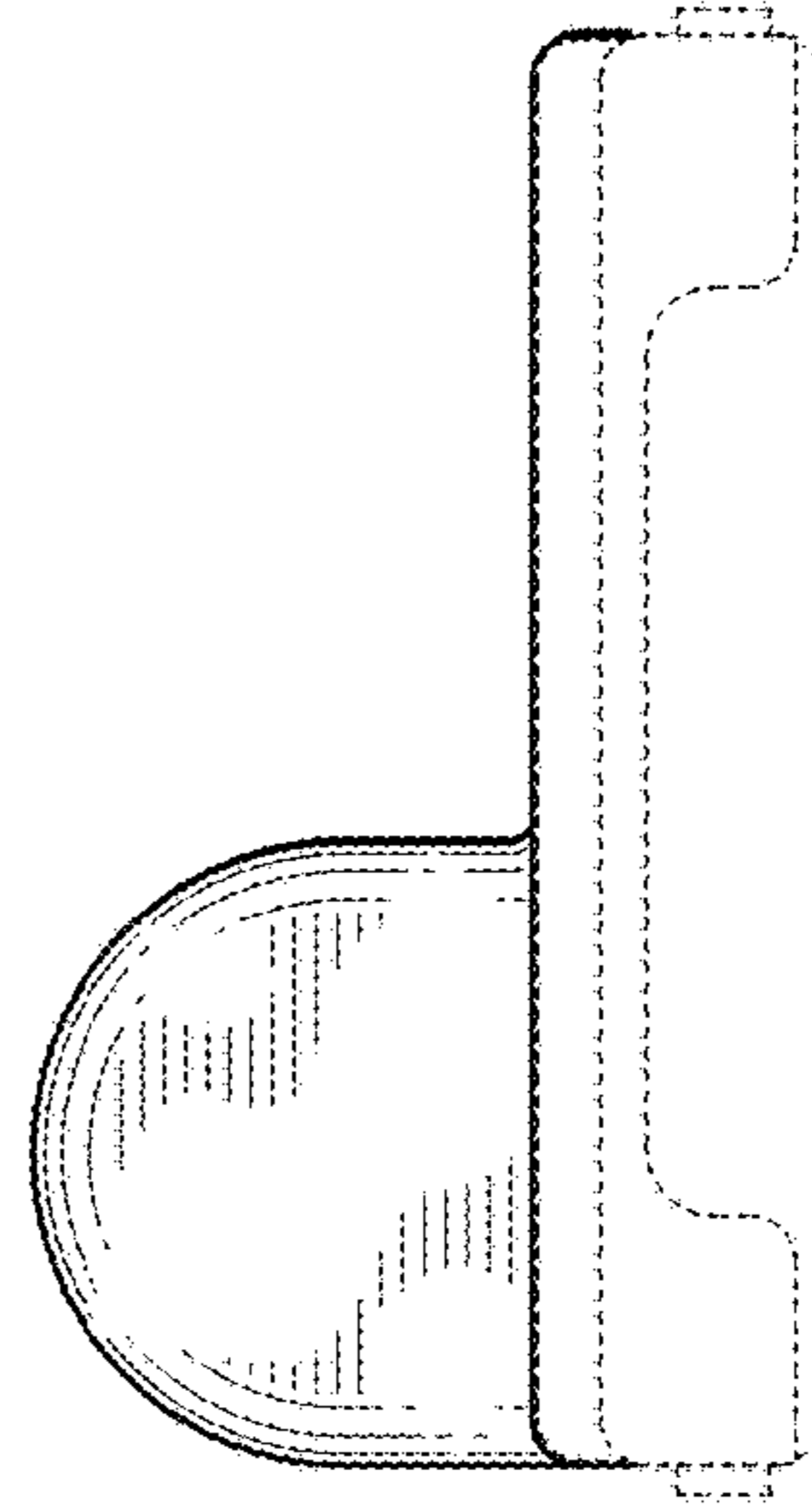


FIG. 4

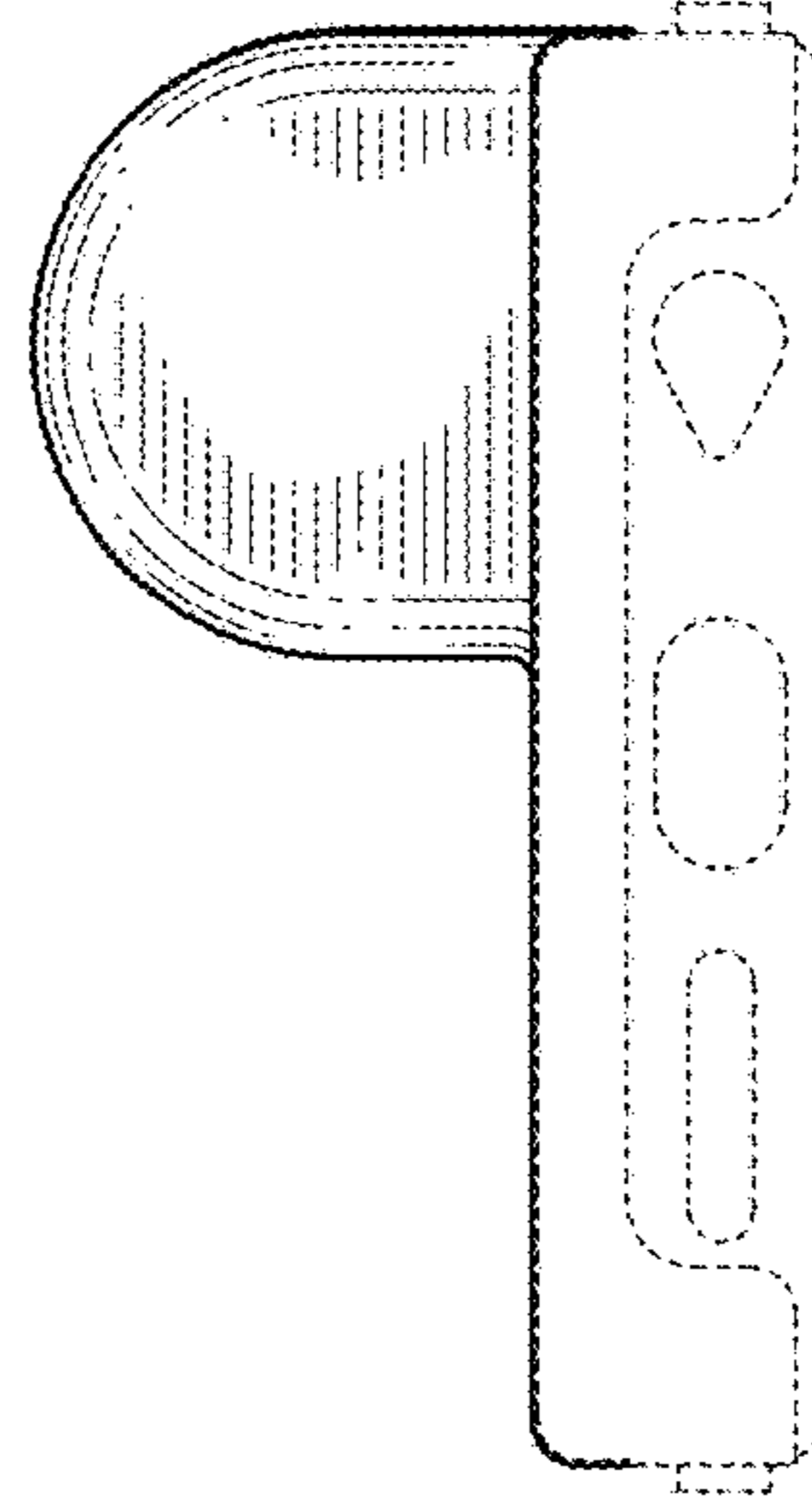


FIG. 5

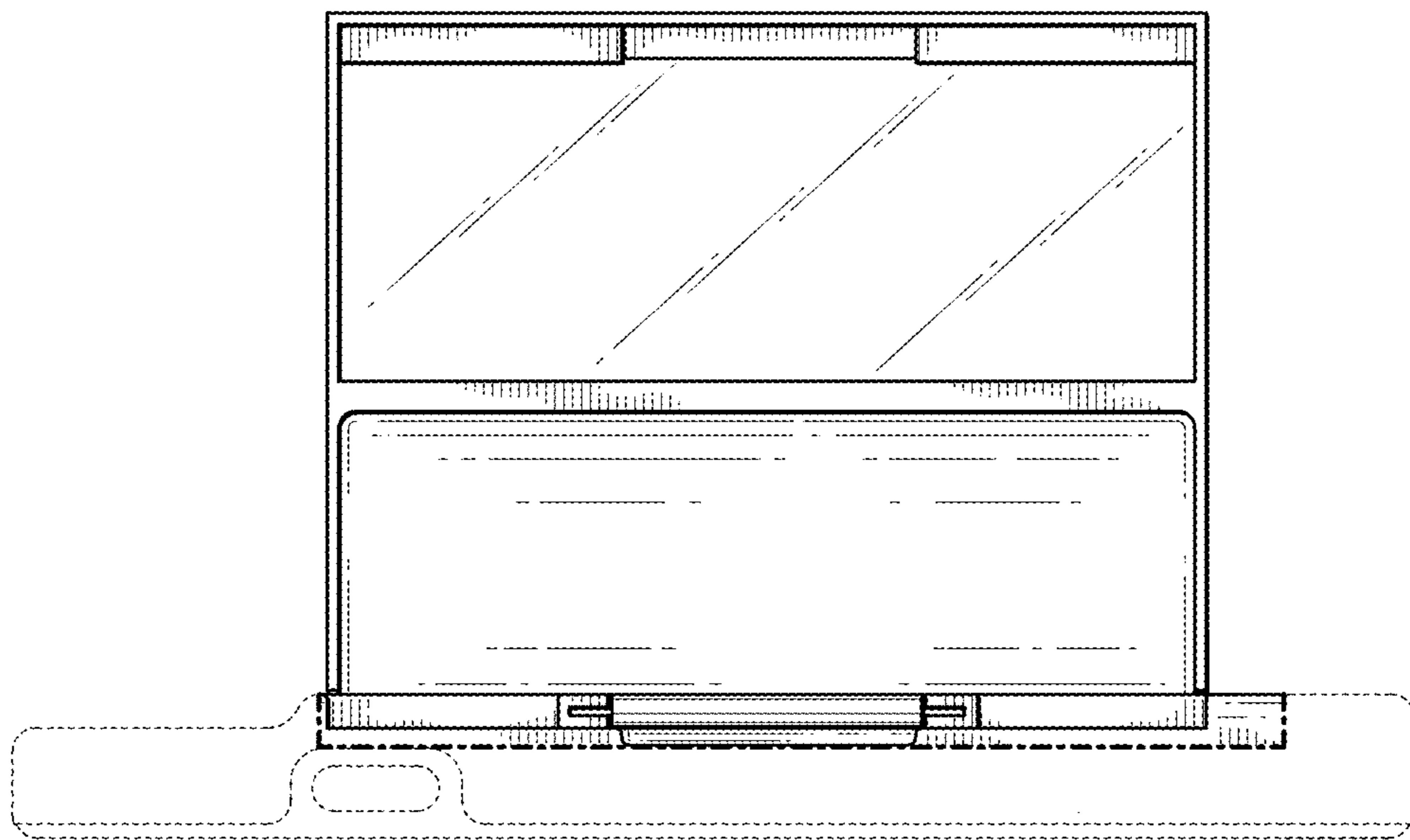


FIG. 6

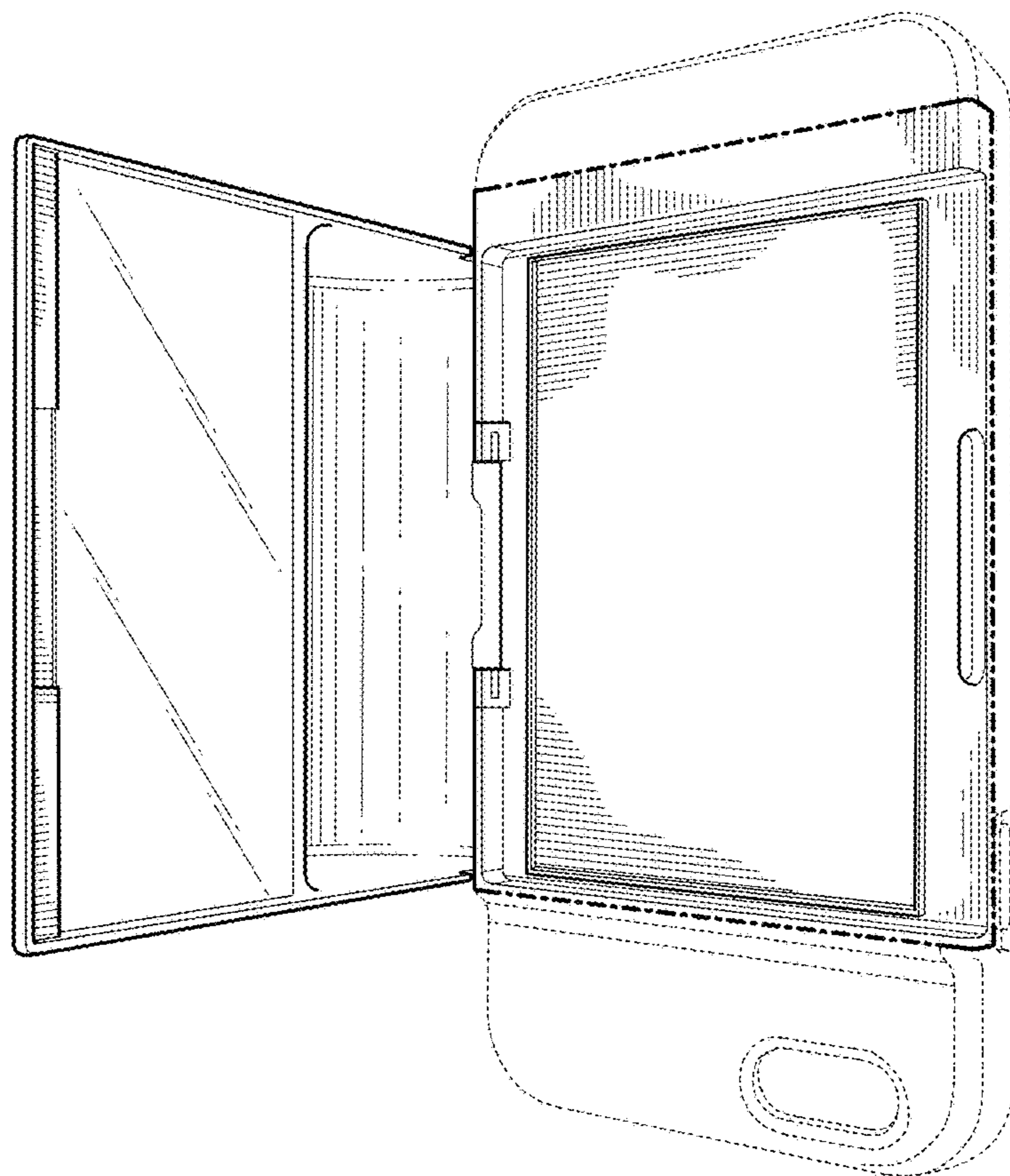


FIG. 8

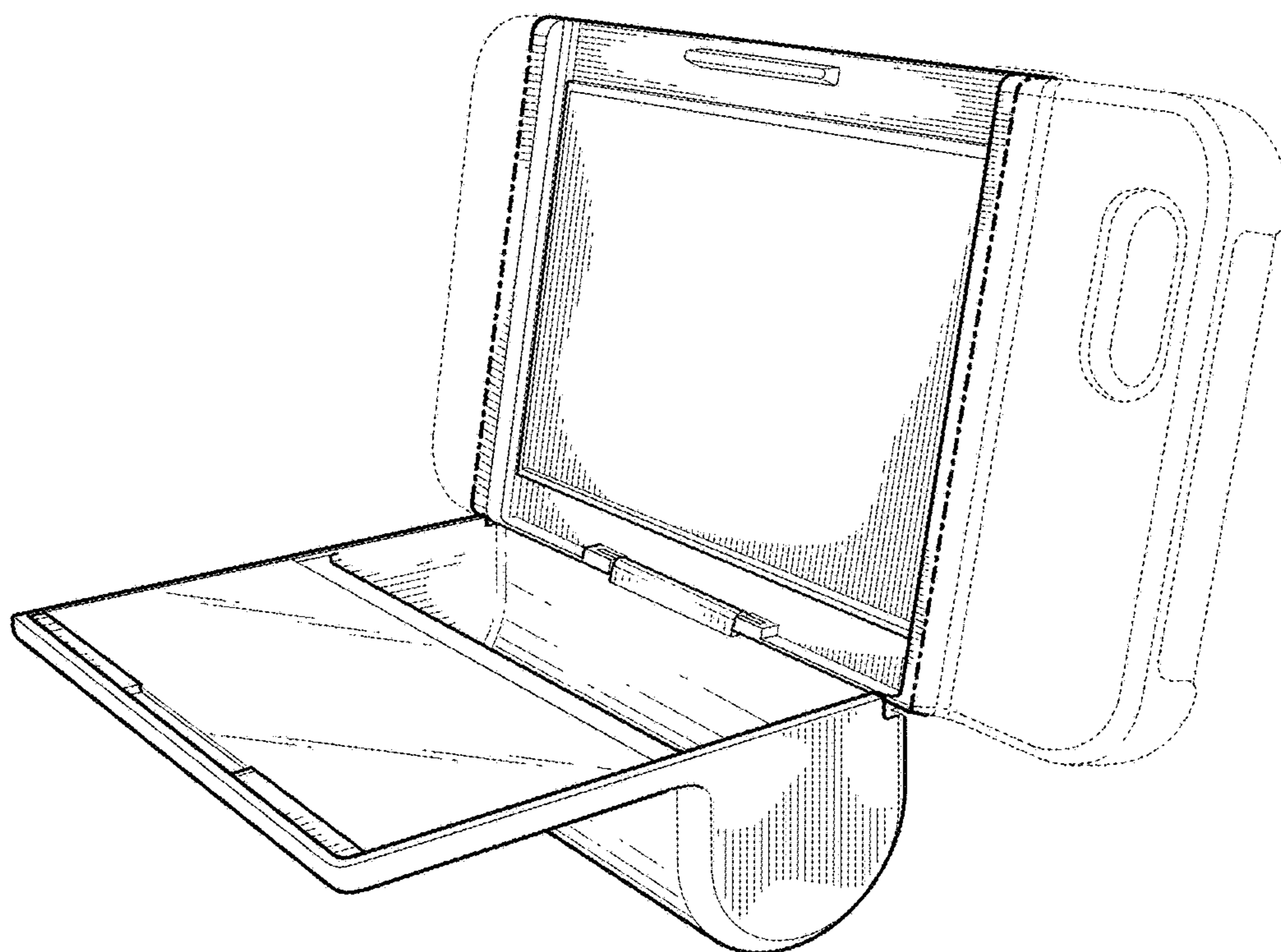


FIG. 7

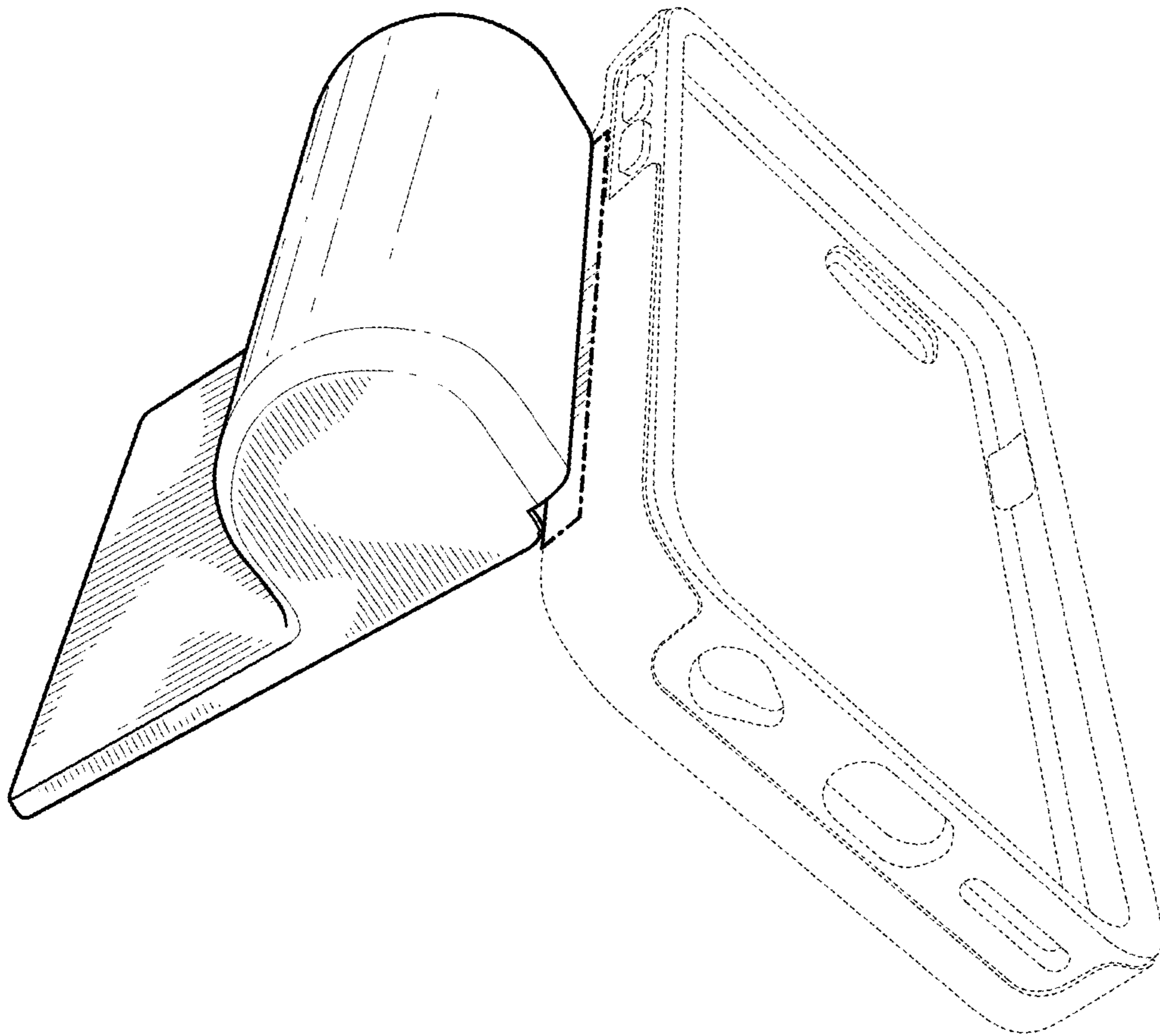


FIG. 9