



US00D794640S

(12) **United States Design Patent**  
**Shigeno et al.**

(10) **Patent No.:** **US D794,640 S**

(45) **Date of Patent:** **\*\* Aug. 15, 2017**

(54) **SCANNER**

(71) Applicant: **Canon Denshi Kabushiki Kaisha,**  
Chichibu-shi, Saitama (JP)

(72) Inventors: **Takashi Shigeno,** Kawasaki (JP);  
**Manabu Ikarashi,** Tokyo (JP); **Asako Chiba,** Yokohama (JP); **Shinobu Kato,** Yokohama (JP); **Tatsuya Nishi,** Funabashi (JP)

(73) Assignee: **Canon Denshi Kabushiki Kaisha,**  
Chichibu-shi (JP)

(\*\*) Term: **15 Years**

(21) Appl. No.: **29/576,985**

(22) Filed: **Sep. 8, 2016**

(51) **LOC (10) Cl.** ..... **14-02**

(52) **U.S. Cl.**  
USPC ..... **D14/422**

(58) **Field of Classification Search**  
USPC ..... D14/421-425; D18/40, 36-39, 41,  
D18/44-56; 235/462, 455, 470, 462.43,  
235/482, 483; 358/474, 486, 488, 496,  
358/498, 452, 449, 451, 453.1, 1.13;  
318/685, 696; 355/81, 75; 399/405, 367,  
399/379, 380; 382/217; 715/209, 222,  
715/226, 274; 400/613, 613.1-613.4,  
400/690.1-690.4, 691-694

CPC ..... H04N 1/00; H04N 1/12; H04N 1/00013;  
H04N 1/00015; H04N 1/00018; H04N  
1/00026; H04N 1/00557; H04N 1/00564;  
H04N 1/00567; H04N 1/0057; H04N  
1/00572; H04N 1/00586; H04N 1/00588;  
H04N 1/00591; H04N 1/00594; H04N  
1/00596; H04N 1/00604; H04N 1/00519;  
H04N 1/00559; H04N 1/1013; H04N  
1/10; H04N 1/00551; H04N 1/00278;  
H04N 2201/0456; H04N 2201/0446;  
H04N 2201/00; H04N 2201/0094; H04N  
1/00525; G03G 15/0142; G03G 15/605;

G03G 15/602; B65H 5/26; B65H 5/30;  
B65H 7/00; B65H 2402/515; B65H  
2402/31; B65H 2511/20; B65H 2511/414;  
B65H 2511/00194; B65H 2511/00198;  
B65H 2511/00202; B65H 2511/00206;  
B65H 2301/00; B65H 2220/04; B65H  
3/5261; B65H 2513/42

See application file for complete search history.

(56) **References Cited**

U.S. PATENT DOCUMENTS

D258,959 S *	4/1981	Clayton	.....	D18/54
D292,976 S *	12/1987	Kando	.....	D14/150
D315,360 S *	3/1991	Tokuda	.....	D18/54
D315,361 S *	3/1991	Kojima	.....	D18/55
D318,066 S *	7/1991	Moro	.....	D18/54
D326,678 S *	6/1992	Uchibori	.....	D18/55
D345,966 S *	4/1994	Perez	.....	D18/4.5

(Continued)

*Primary Examiner* — Susan Moon Lee

(74) *Attorney, Agent, or Firm* — Fitzpatrick, Cella,  
Harper & Scinto

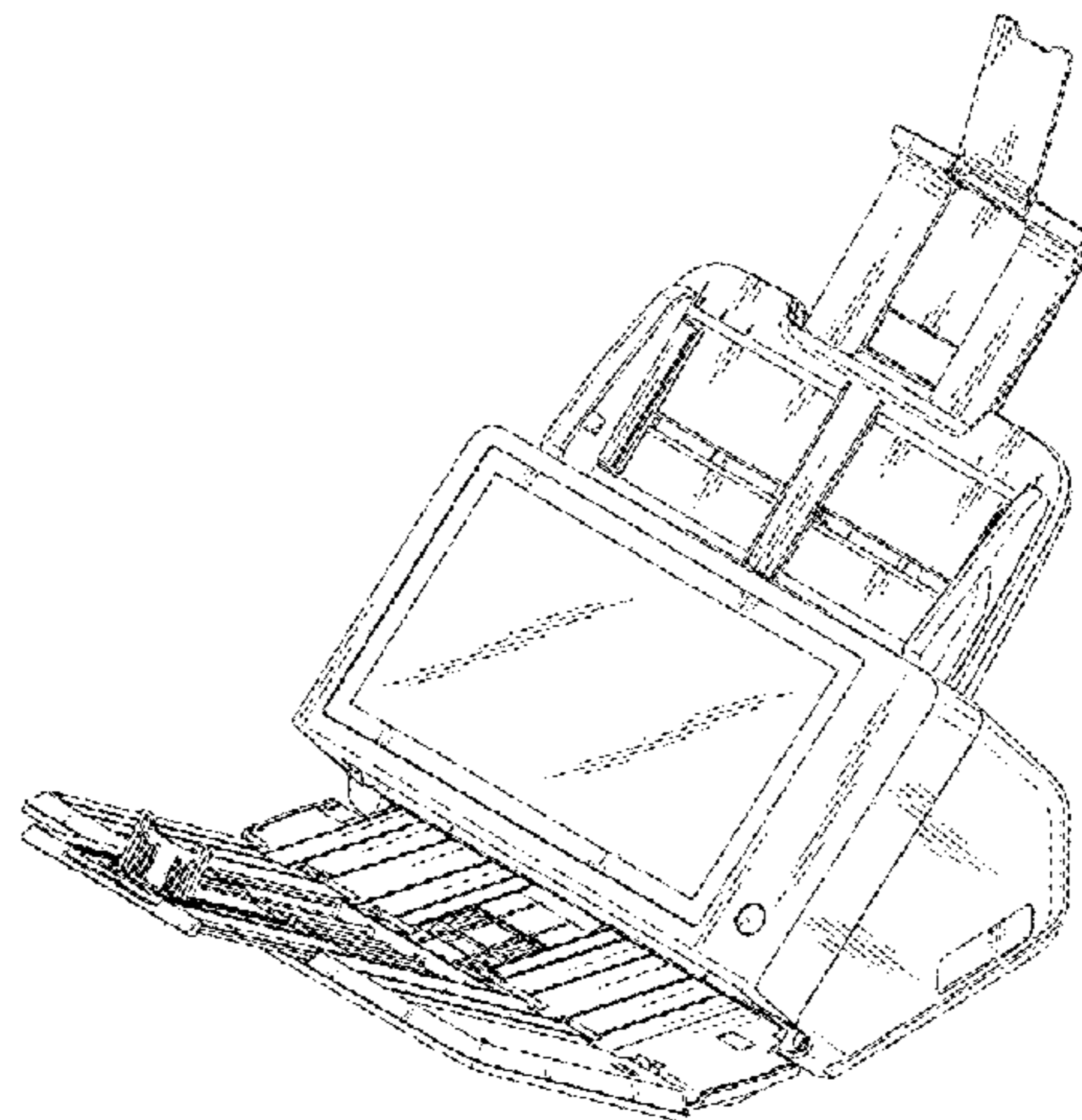
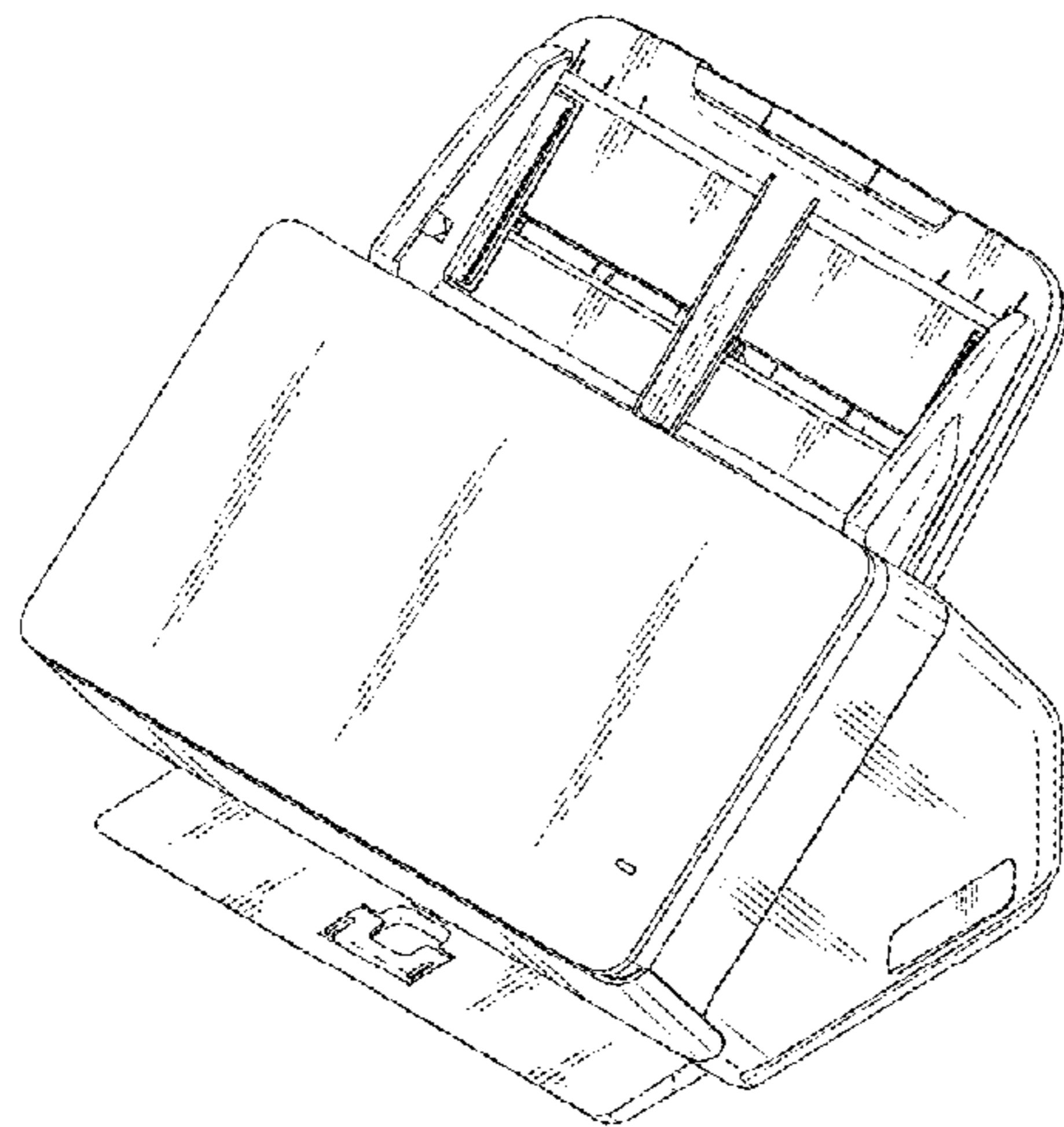
(57) **CLAIM**

The ornamental design for a scanner, as shown and described.

**DESCRIPTION**

FIG. 1 is a perspective view of a scanner in accordance with our new design;  
FIG. 2 is a front view thereof;  
FIG. 3 is a rear view of thereof;  
FIG. 4 is a plan view thereof;  
FIG. 5 is a bottom view thereof;  
FIG. 6 is a left side view thereof;  
FIG. 7 is a right side view thereof; and,  
FIG. 8 is a perspective view of the scanner, shown in an expanded configuration, with trays in an extended position.

**1 Claim, 8 Drawing Sheets**



(56)

References Cited

U.S. PATENT DOCUMENTS

D348,054 S \* 6/1994 Minasian ..... D14/425  
 D399,524 S \* 10/1998 Nakajima ..... D18/50  
 D401,271 S \* 11/1998 Nakajima ..... D18/55  
 5,893,822 A \* 4/1999 Deni ..... B65B 31/046  
 493/256  
 D414,508 S \* 9/1999 Pangburn ..... D18/55  
 D422,570 S \* 4/2000 Kobayashi ..... D14/509  
 D433,442 S \* 11/2000 Clark, III ..... 14/2  
 D446,306 S \* 8/2001 Ochi ..... D24/165  
 D456,020 S \* 4/2002 Obata ..... D14/336  
 6,536,670 B1 \* 3/2003 Postman ..... G06F 1/1626  
 235/487  
 D475,052 S \* 5/2003 Chujou ..... D14/422  
 6,842,652 B2 \* 1/2005 Yeung ..... H04N 1/00236  
 250/201.2  
 7,029,113 B2 \* 4/2006 Hwang ..... B41J 29/13  
 347/108  
 D523,469 S \* 6/2006 Hwang ..... D18/50  
 D549,705 S \* 8/2007 Sugitani ..... D14/422  
 D574,829 S \* 8/2008 Shirai ..... D14/422  
 D609,711 S \* 2/2010 Kuroda ..... D14/422  
 D610,146 S \* 2/2010 Kuroda ..... D14/422  
 D610,147 S \* 2/2010 Kuroda ..... D14/422  
 D610,148 S \* 2/2010 Kuroda ..... D14/422  
 D610,149 S \* 2/2010 Kuroda ..... D14/422  
 D610,153 S \* 2/2010 Kuroda ..... D14/422  
 D610,154 S \* 2/2010 Kuroda ..... D14/422  
 D610,155 S \* 2/2010 Kuroda ..... D14/422  
 7,686,221 B2 \* 3/2010 Chiba ..... H04N 1/00204  
 235/454  
 D616,889 S \* 6/2010 Kuroda ..... D14/422  
 D632,295 S \* 2/2011 Kuroda ..... D14/422  
 D642,179 S \* 7/2011 Kuroda ..... D14/422  
 D663,300 S \* 7/2012 Kim ..... D14/407  
 D669,080 S \* 10/2012 Iwai ..... D14/422  
 D669,081 S \* 10/2012 Iwai ..... D14/422  
 D669,526 S \* 10/2012 Sakurai ..... D18/50  
 D682,329 S \* 5/2013 Day ..... D15/146  
 D687,436 S \* 8/2013 Penke ..... D14/422  
 D689,865 S \* 9/2013 Kitamura et al. .... D14/422  
 D689,866 S \* 9/2013 Anzai ..... D14/422  
 D694,792 S \* 12/2013 Day ..... D15/146  
 D694,794 S \* 12/2013 Cumming ..... D15/146  
 D696,339 S \* 12/2013 Hasui ..... D18/34.3

D700,908 S \* 3/2014 Taniho ..... D14/422  
 D708,185 S \* 7/2014 Romanoff ..... D14/422  
 D708,618 S \* 7/2014 Romanoff ..... D14/422  
 D709,071 S \* 7/2014 Kato et al. .... D14/422  
 D713,845 S \* 9/2014 Taniho ..... D14/422  
 D716,305 S \* 10/2014 Tani ..... D14/422  
 8,856,033 B2 \* 10/2014 Hicks ..... G07G 1/0081  
 235/385  
 D719,168 S \* 12/2014 Tani ..... D14/422  
 D723,562 S \* 3/2015 Inada ..... D14/422  
 9,107,484 B2 \* 8/2015 Chaney ..... A45C 11/00  
 D739,365 S \* 9/2015 Garcia ..... D14/126  
 9,239,590 B2 \* 1/2016 Vargas ..... G06F 1/1613  
 D757,162 S \* 5/2016 Lyons ..... D18/4.4  
 D758,369 S \* 6/2016 Kuroda ..... D14/422  
 9,415,954 B2 \* 8/2016 Ukai ..... B65H 1/02  
 D766,246 S \* 9/2016 Inada ..... D14/422  
 D775,127 S \* 12/2016 Strubi ..... D14/358  
 D776,118 S \* 1/2017 Ishida ..... D14/422  
 D780,181 S \* 2/2017 Peng ..... D14/422  
 D783,023 S \* 4/2017 Kuroda ..... D14/422  
 2003/0063337 A1 \* 4/2003 Shirai ..... H04N 1/0062  
 358/498  
 2005/0094227 A1 \* 5/2005 Hwang ..... H04N 1/00525  
 358/498  
 2006/0152773 A1 \* 7/2006 Wu ..... H04N 1/10  
 358/474  
 2007/0188818 A1 \* 8/2007 Westcott ..... H04N 1/00525  
 358/296  
 2009/0230611 A1 \* 9/2009 Ngai ..... H04N 1/00525  
 271/145  
 2010/0053701 A1 \* 3/2010 Yoshida ..... H04N 1/00525  
 358/474  
 2010/0060948 A1 \* 3/2010 Yoshida ..... H04N 1/00519  
 358/474  
 2013/0056923 A1 \* 3/2013 Kuriki ..... B65H 31/02  
 271/145  
 2013/0056924 A1 \* 3/2013 Mizuno ..... B65H 9/06  
 271/162  
 2013/0057932 A1 \* 3/2013 Mukai ..... H04N 1/00533  
 358/498  
 2013/0163056 A1 \* 6/2013 Hanayama ..... H04N 1/00013  
 358/474  
 2013/0222867 A1 \* 8/2013 Tomita ..... H04N 1/00013  
 358/498

\* cited by examiner



Fig. 1

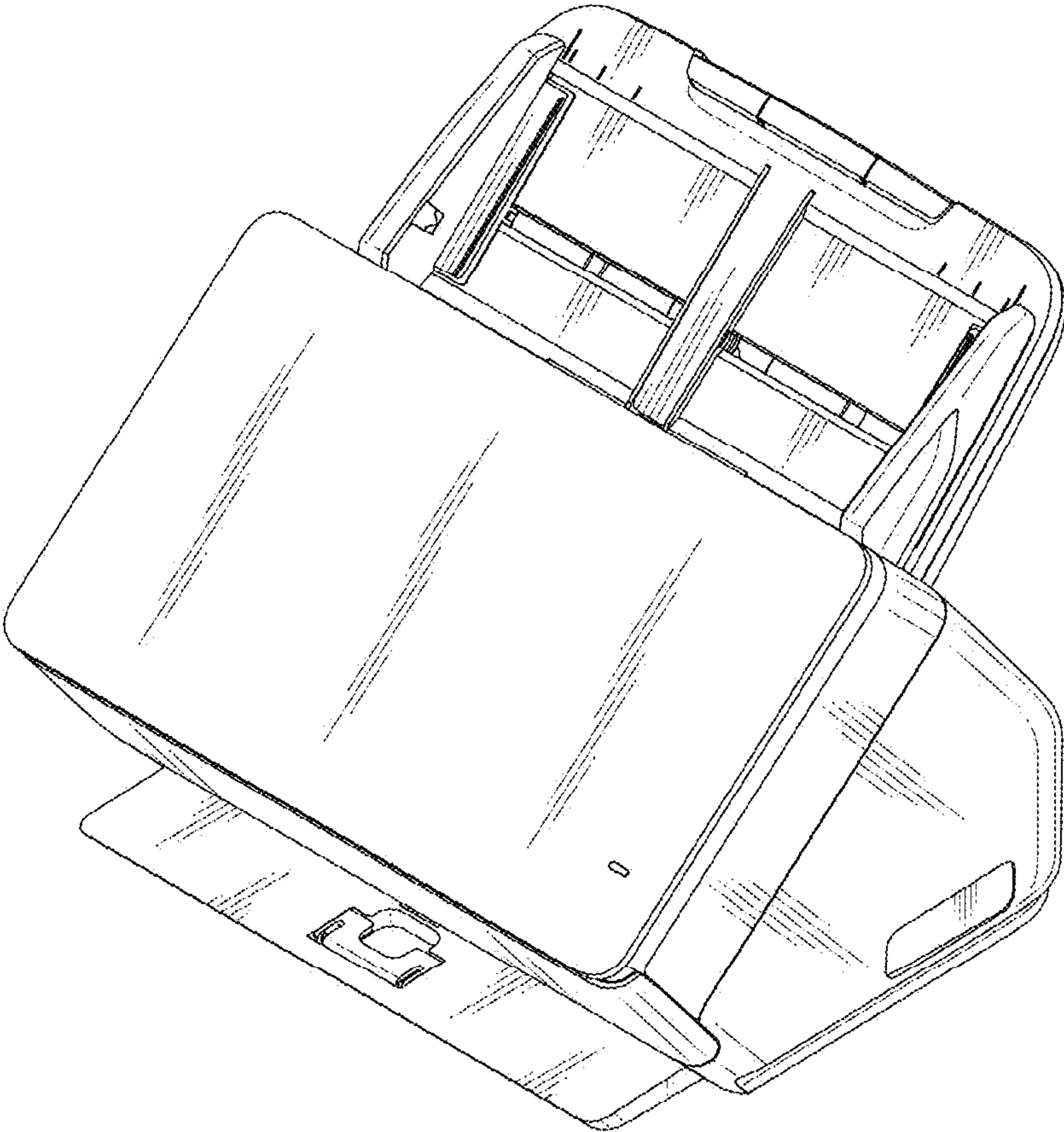


Fig. 2

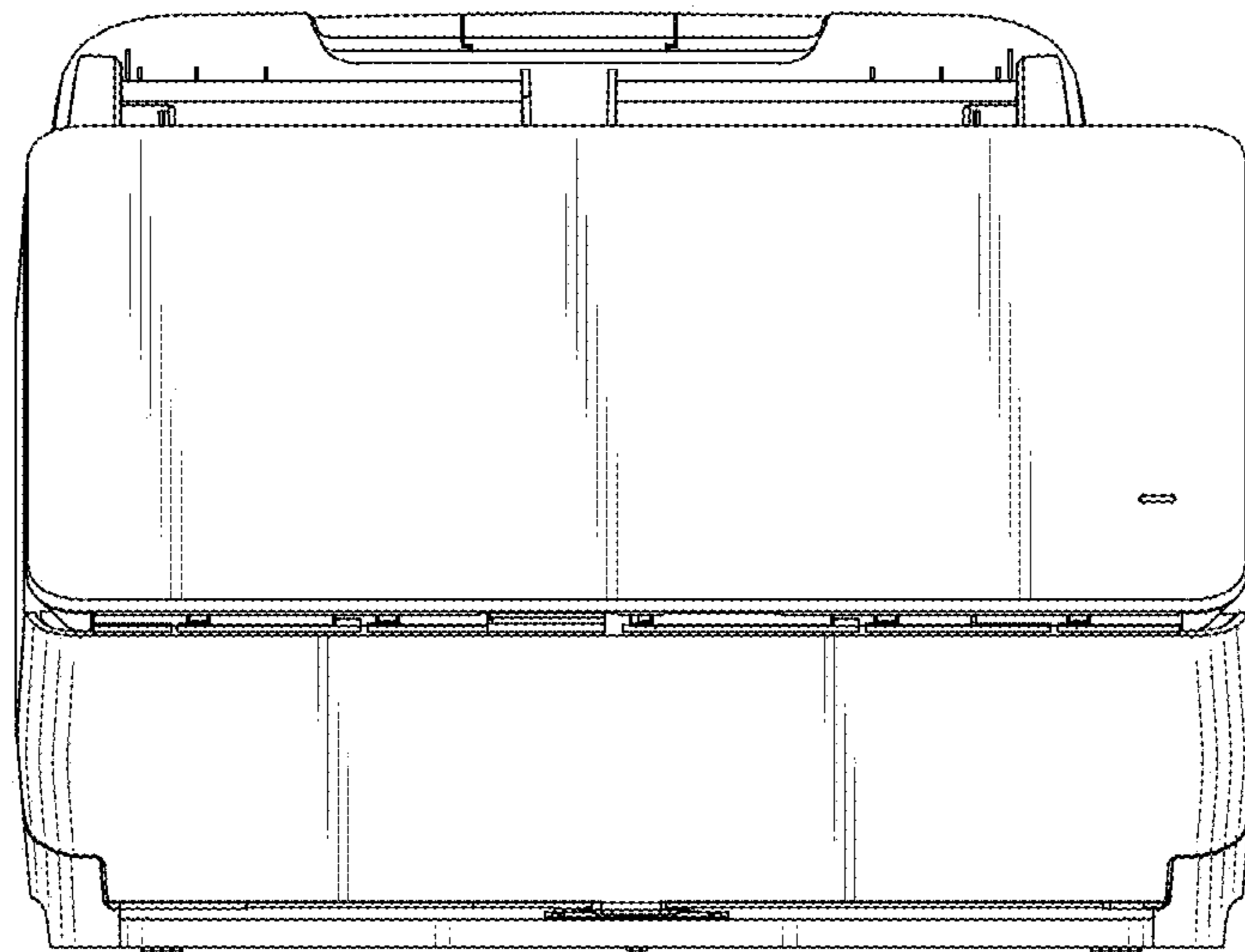


Fig. 3

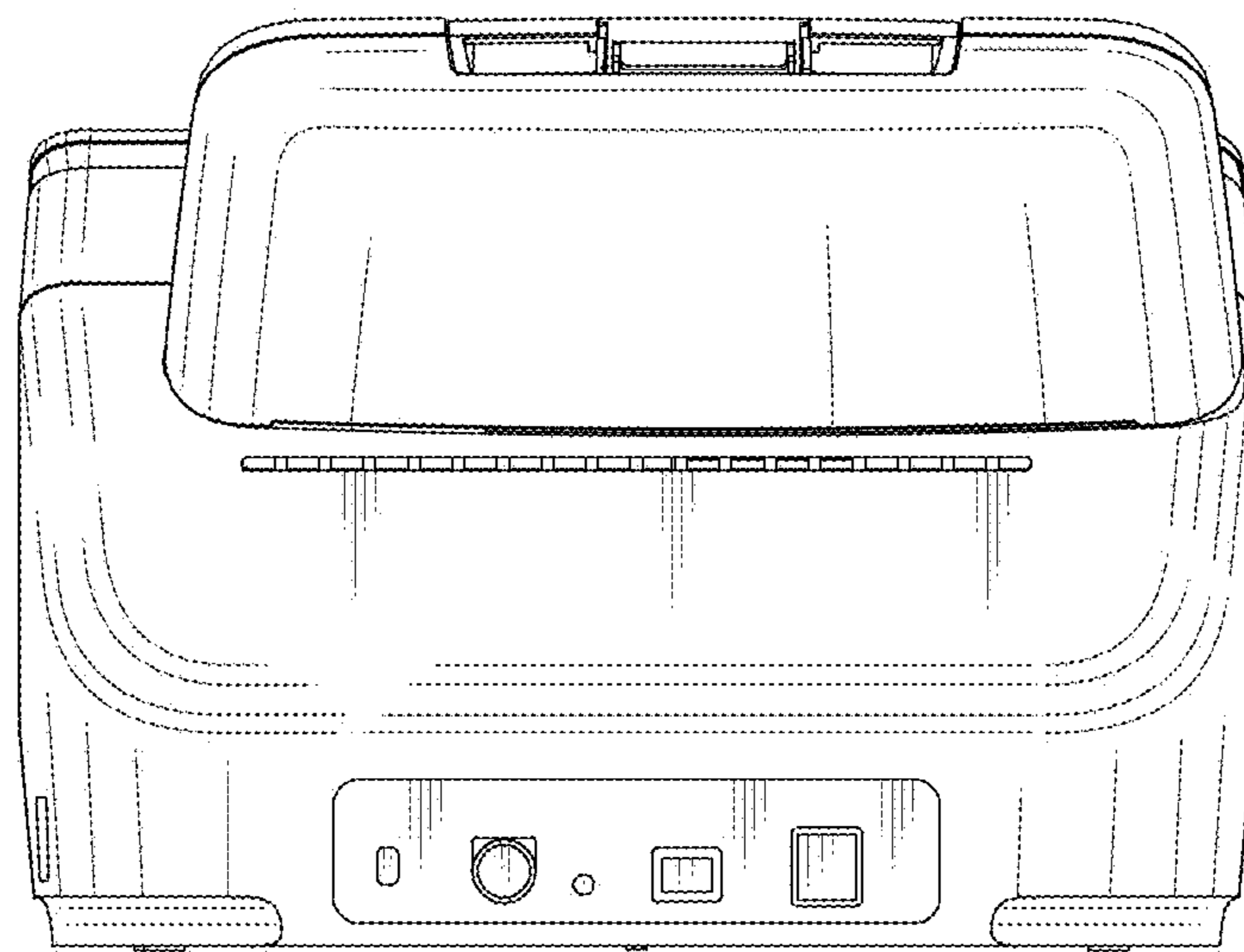


Fig. 4

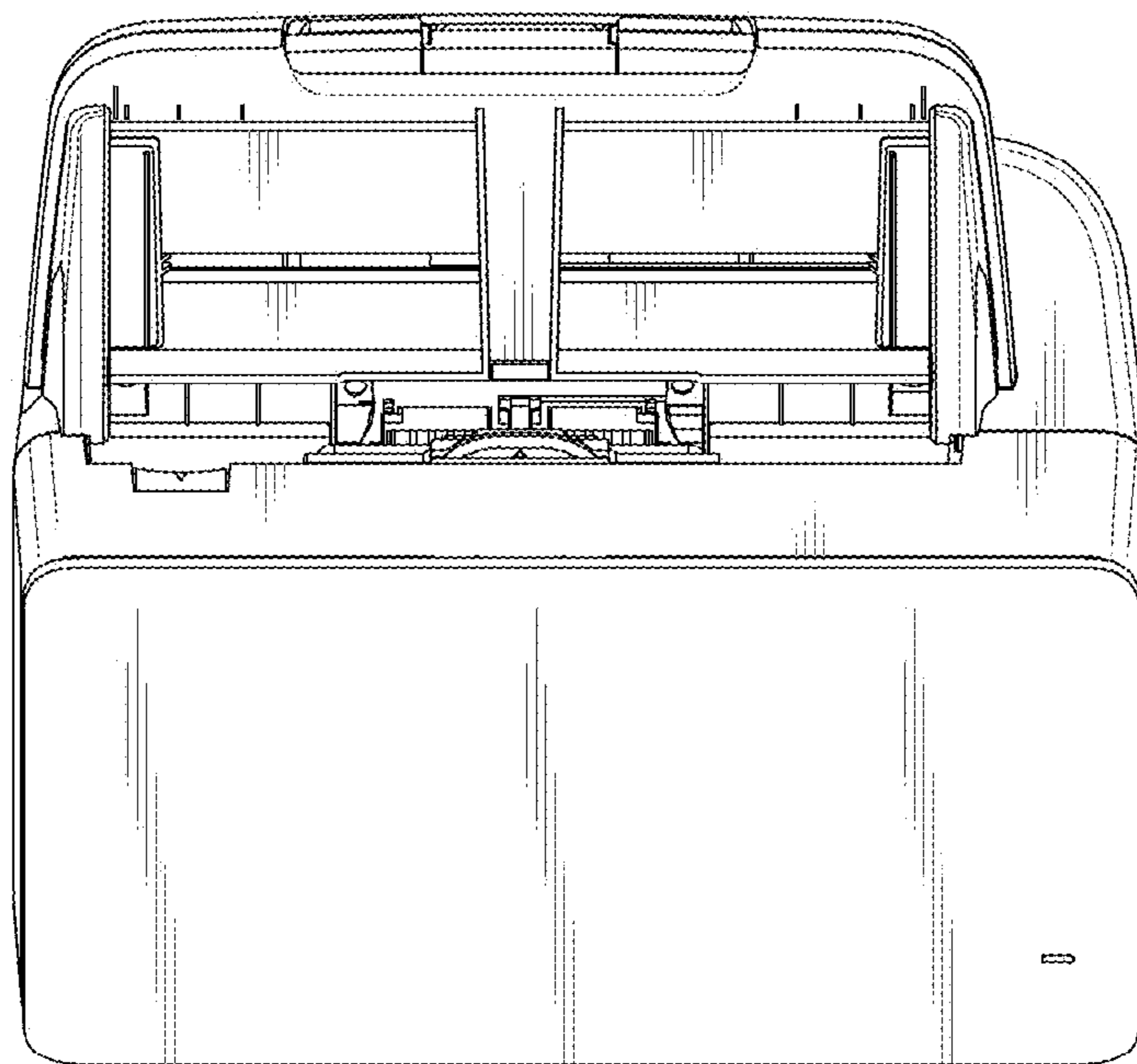


Fig. 5

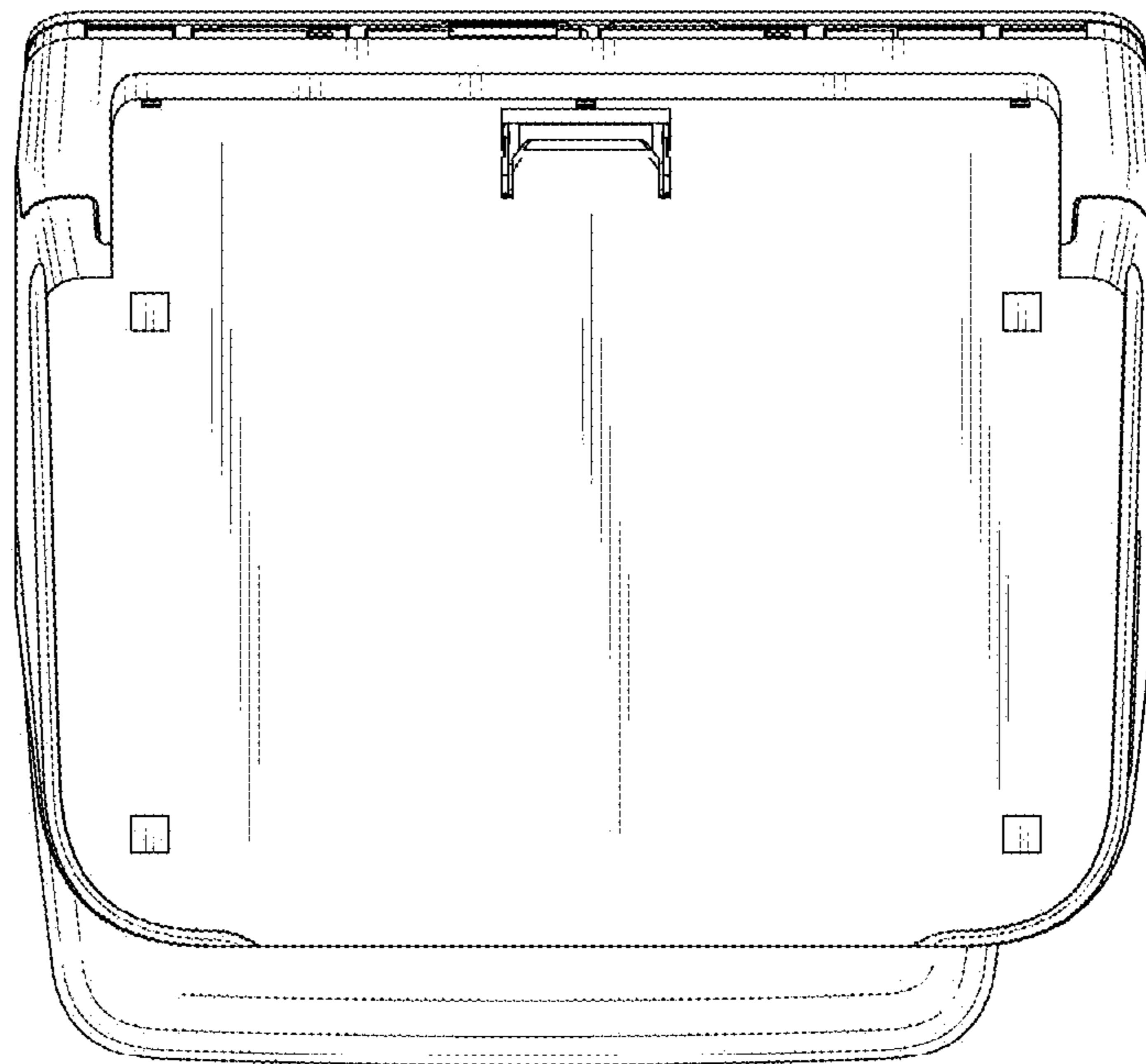


Fig. 6

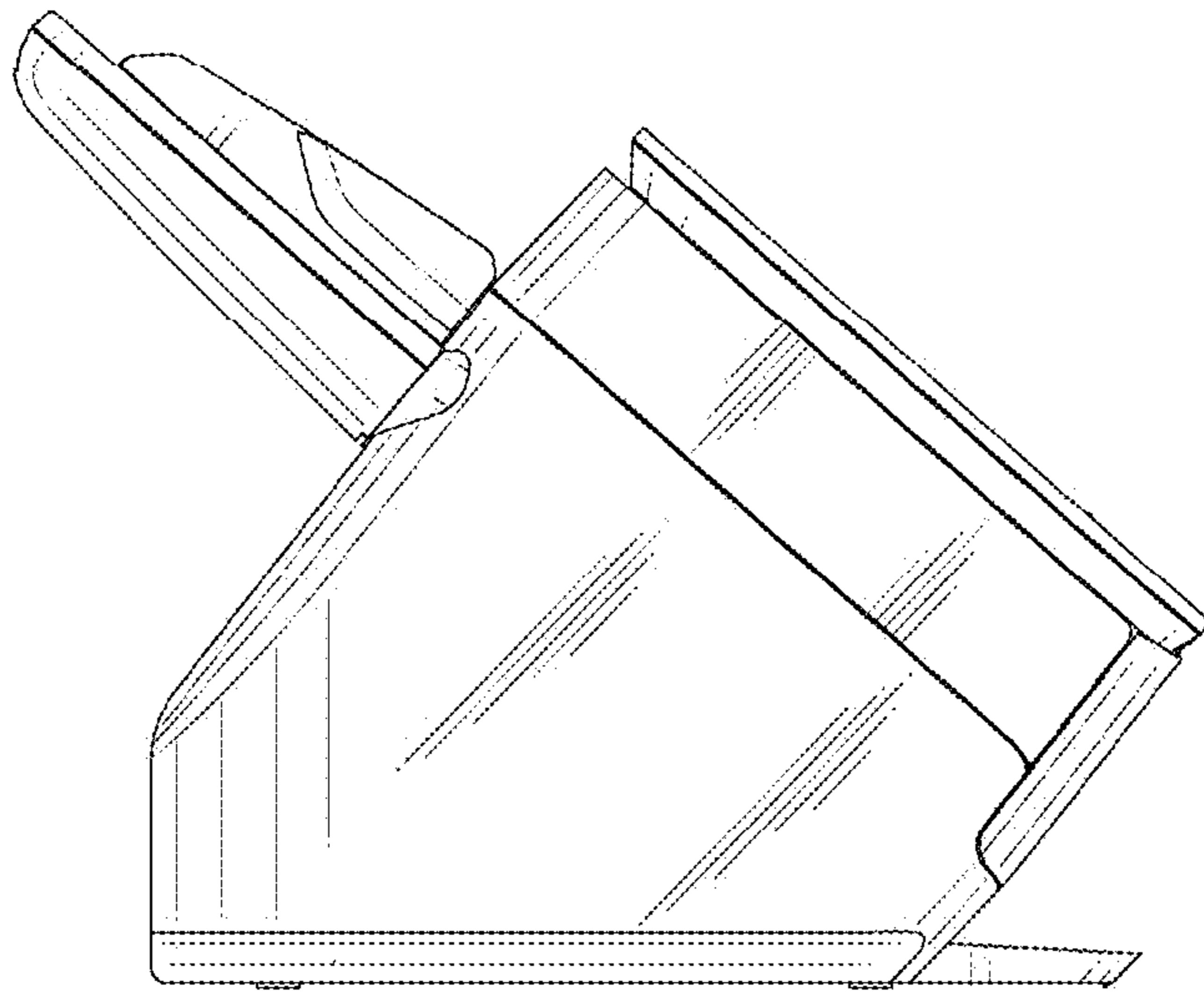




Fig. 7

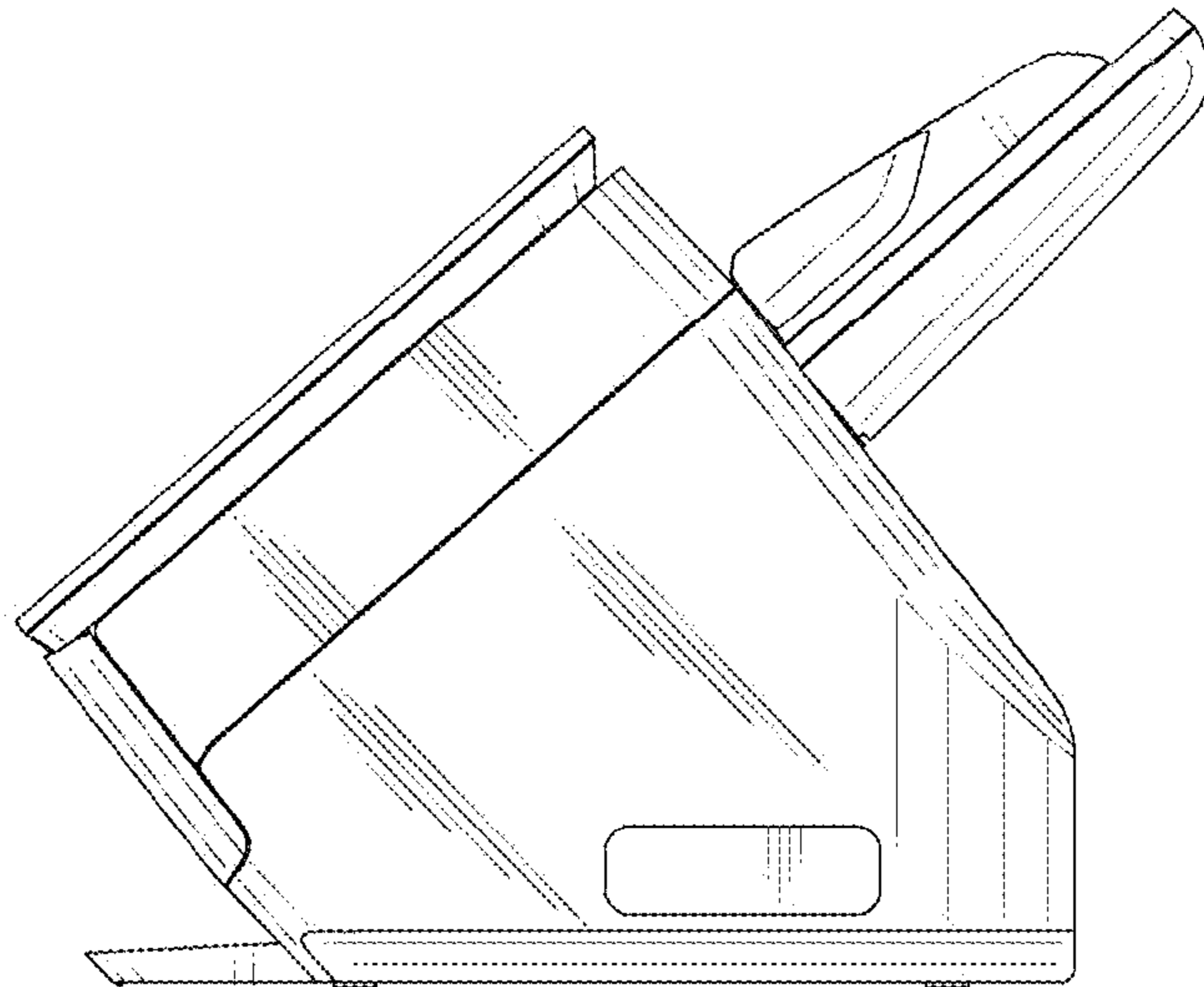


Fig. 8

