



US00D794635S

(12) **United States Design Patent** (10) **Patent No.:** **US D794,635 S**
Nimre (45) **Date of Patent:** **** Aug. 15, 2017**

(54) **POLE-MOUNTED COMMUNICATION UNIT FOR NETWORK ESTABLISHMENT**

(71) Applicant: **MobilityInsight Ltd.**, Nazareth (IL)

(72) Inventor: **Salim Nimre**, Nazareth (IL)

(73) Assignee: **MOBILITYINSIGHT LTD.**, Nazareth (IL)

(**) Term: **15 Years**

(21) Appl. No.: **29/537,357**

(22) Filed: **Aug. 25, 2015**

(30) **Foreign Application Priority Data**

Feb. 25, 2015 (EM) 002640920-001

(51) **LOC (10) Cl.** **14-02**

(52) **U.S. Cl.**
USPC **D14/358**; D14/240; D14/230

(58) **Field of Classification Search**
USPC D14/356-358, 388, 496, 137, 140, 155, D14/225, 226, 230, 240, 242, 243, 299, D14/300; D13/162, 162.1, 164, 168, D13/171-174, 184, 199; D10/61, 65, D10/103, 104.1, 121, 46, 106.1, 106.2, D10/106.3, 106.6, 106.99
CPC ... H04W 88/00; H04W 88/005; H04W 88/08; H04W 88/085; H04W 88/10; H04W 88/12; H04W 84/04; H04W 84/042; H04W 84/045; H04W 84/047; H04W 84/105
See application file for complete search history.

(56) **References Cited**

U.S. PATENT DOCUMENTS

4,179,698 A * 12/1979 Liautaud H01Q 1/1214
343/715
D310,064 S * 8/1990 Cheng D13/151

D338,206 S * 8/1993 Sawaguchi D14/230
D377,339 S * 1/1997 Beruscha D10/75
D402,663 S * 12/1998 Fechner D13/184
D427,180 S * 6/2000 Humes D14/230
D440,890 S * 4/2001 Warner D10/65
D499,069 S * 11/2004 Stanush D13/152
D542,283 S * 5/2007 Cislo D14/230
D542,783 S * 5/2007 Cislo D14/230
D550,217 S * 9/2007 Schneider D14/230
D550,218 S * 9/2007 Cislo D14/230

(Continued)

OTHER PUBLICATIONS

Smart Wireless Sensor Network. mobilityinsight.net. (online) 5 pgs. 2016 [retrieved on Oct. 7, 2016] <http://www.mobilityinsight.net/technology>.*

(Continued)

Primary Examiner — Susan Bennett Hattan
Assistant Examiner — Marie Fast Horse
(74) *Attorney, Agent, or Firm* — Pearl Cohen Zedek Latzer Baratz LLP

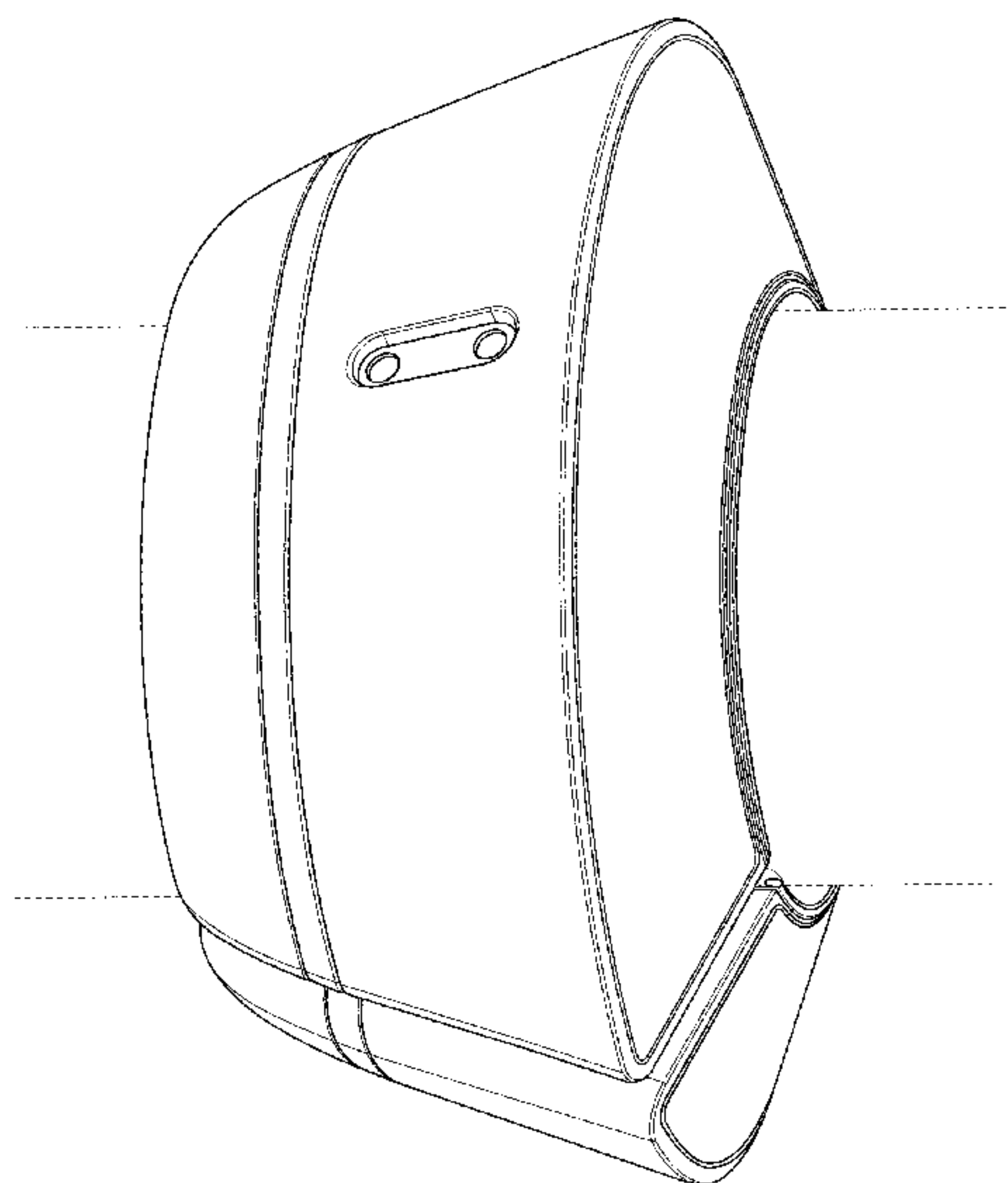
(57) **CLAIM**

The ornamental design for a pole-mounted communication unit for network establishment, as shown and described.

DESCRIPTION

FIG. 1 is a front, left side perspective view of the pole-mounted communication unit for network establishment; FIG. 2 is a front, top, left side perspective view thereof; FIG. 3 is a front, bottom perspective view thereof; FIG. 4 is a back side elevational thereof; FIG. 5 is a front side elevational thereof; FIG. 6 is a left side elevational view thereof; and, FIG. 7 is an exploded front perspective view thereof. The broken lines in the drawings showing the pole depict environmental structure only and form no part of the claimed design.

1 Claim, 7 Drawing Sheets



(56)

References Cited

U.S. PATENT DOCUMENTS

D602,388 S * 10/2009 Killo D10/106.1
 D619,126 S * 7/2010 Lee D14/230
 D631,770 S * 2/2011 Killo D10/106.5
 D635,476 S * 4/2011 Killo
 D655,280 S * 3/2012 MacManus D14/140.1
 D660,839 S * 5/2012 Govindasamy D14/358
 D663,293 S * 7/2012 MacManus D14/140.1
 D665,290 S * 8/2012 Bhate D10/106.6
 D667,007 S * 9/2012 Huang D14/240
 D682,131 S * 5/2013 Bhate D10/106.6
 D687,009 S * 7/2013 Song D14/155
 D687,328 S * 8/2013 Clymer D10/104.1
 D694,740 S * 12/2013 Apostolakis D14/240
 D704,177 S * 5/2014 Chun D14/240
 D704,178 S * 5/2014 Kwak D14/240
 D711,345 S * 8/2014 Liu D14/140
 D713,816 S * 9/2014 Fleetwood D14/155
 D724,970 S * 3/2015 Hasegawa D10/65

D725,088 S * 3/2015 Kwak D14/240
 D739,284 S * 9/2015 Vu D10/103
 D742,864 S * 11/2015 Kurosawa D14/240
 D744,986 S * 12/2015 Huerta D14/230
 D747,984 S * 1/2016 Zhao D10/52
 D752,027 S * 3/2016 Yang D14/230
 D752,998 S * 4/2016 Robinson D10/65
 D756,813 S * 5/2016 Ueland D10/65
 2004/0174317 A1* 9/2004 Dearnley H01Q 1/1207
 343/890

OTHER PUBLICATIONS

Pole-Mounted Network Communication Devices. (Design-© Questel). orbit.com [online PDF] 10 pages. Print Dates range from Feb. 27, 2015 to Feb. 19, 2016 [retrieved on Oct. 7, 2016] <https://sobjprd.questel.fr/export/QPTUJ214/pdf2/d8f43775-0d2f-435e-9dbc-a8921aa1978a-231408.pdf>.*

* cited by examiner

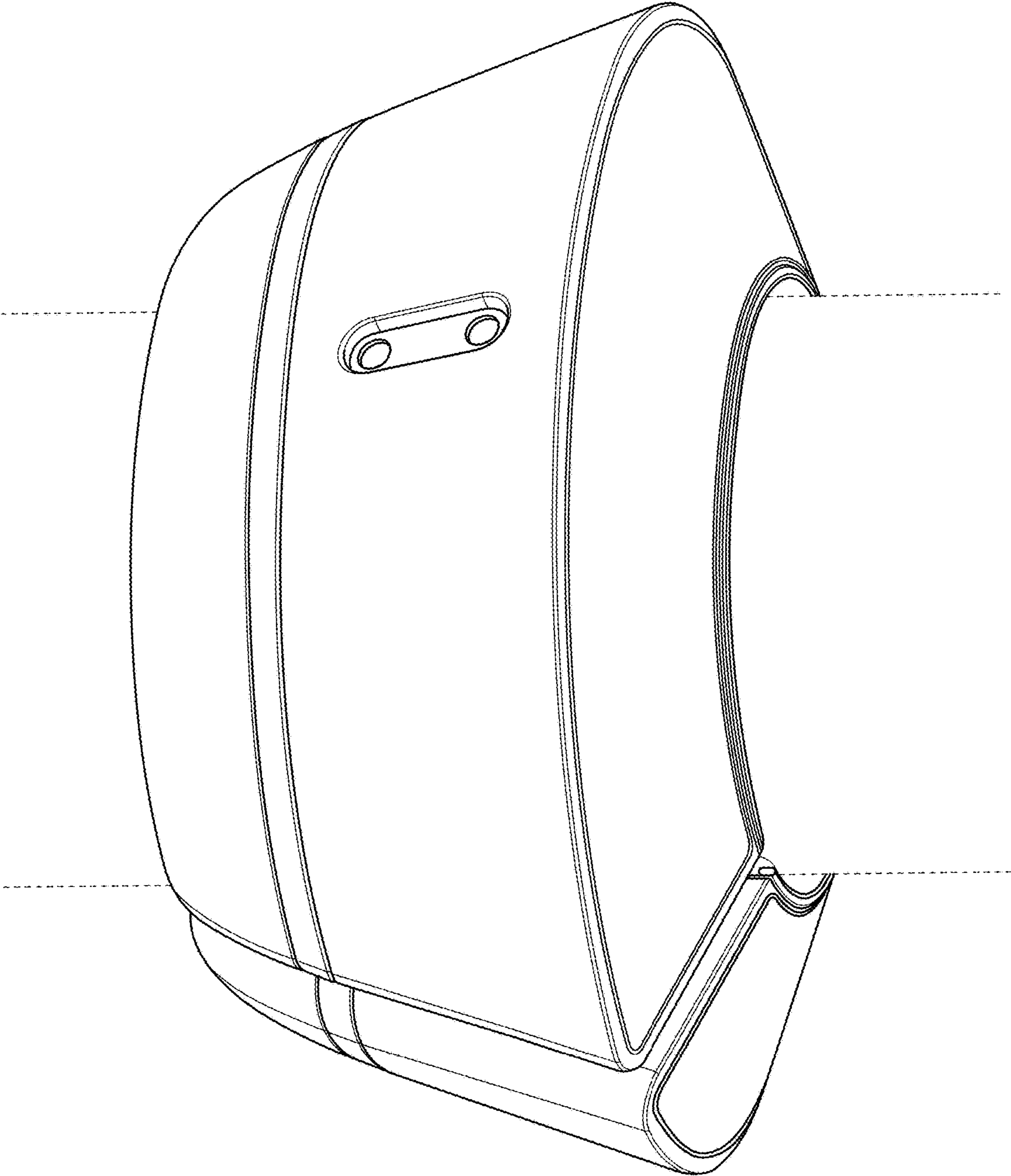


FIG. 1

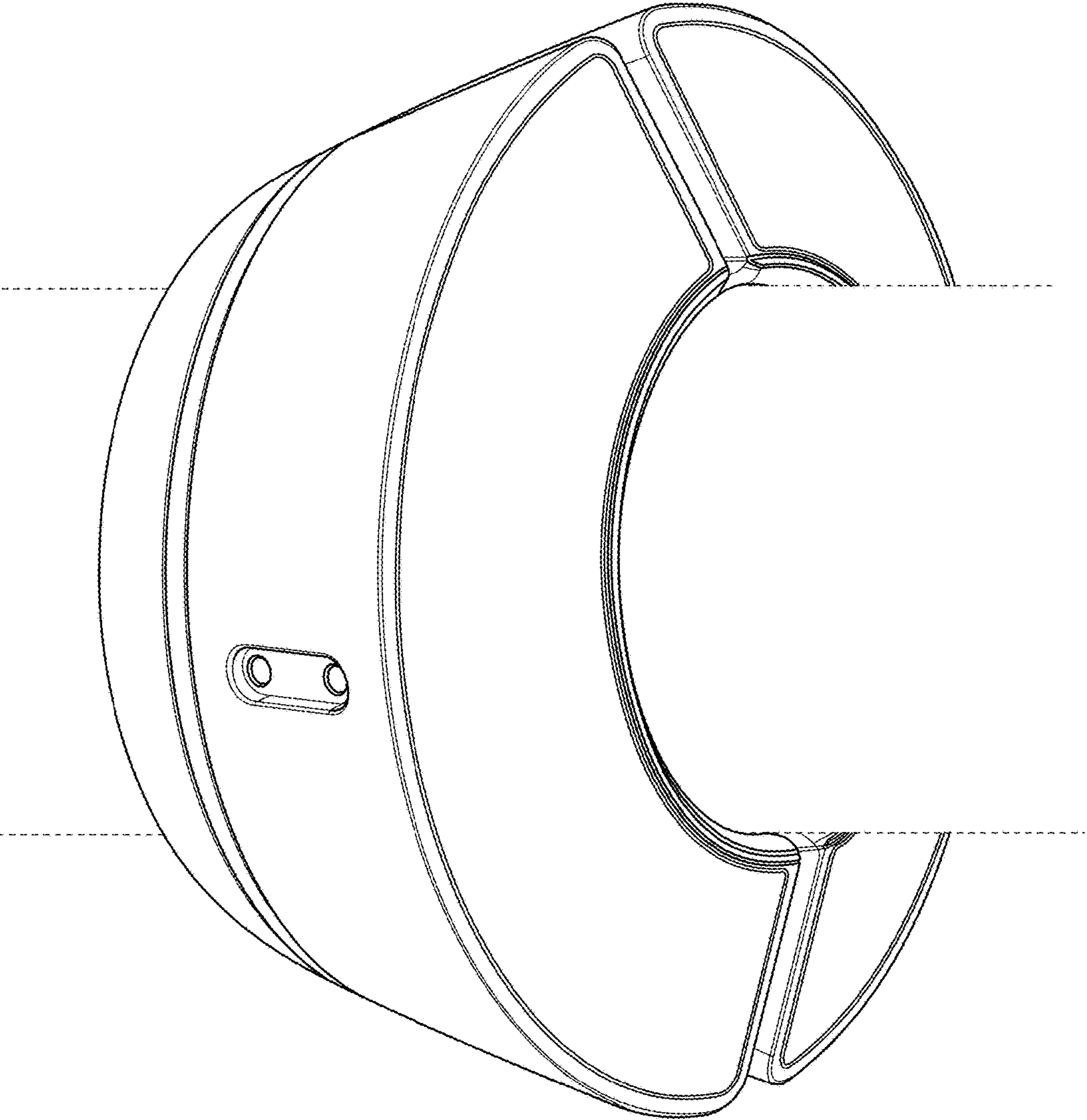


FIG. 2

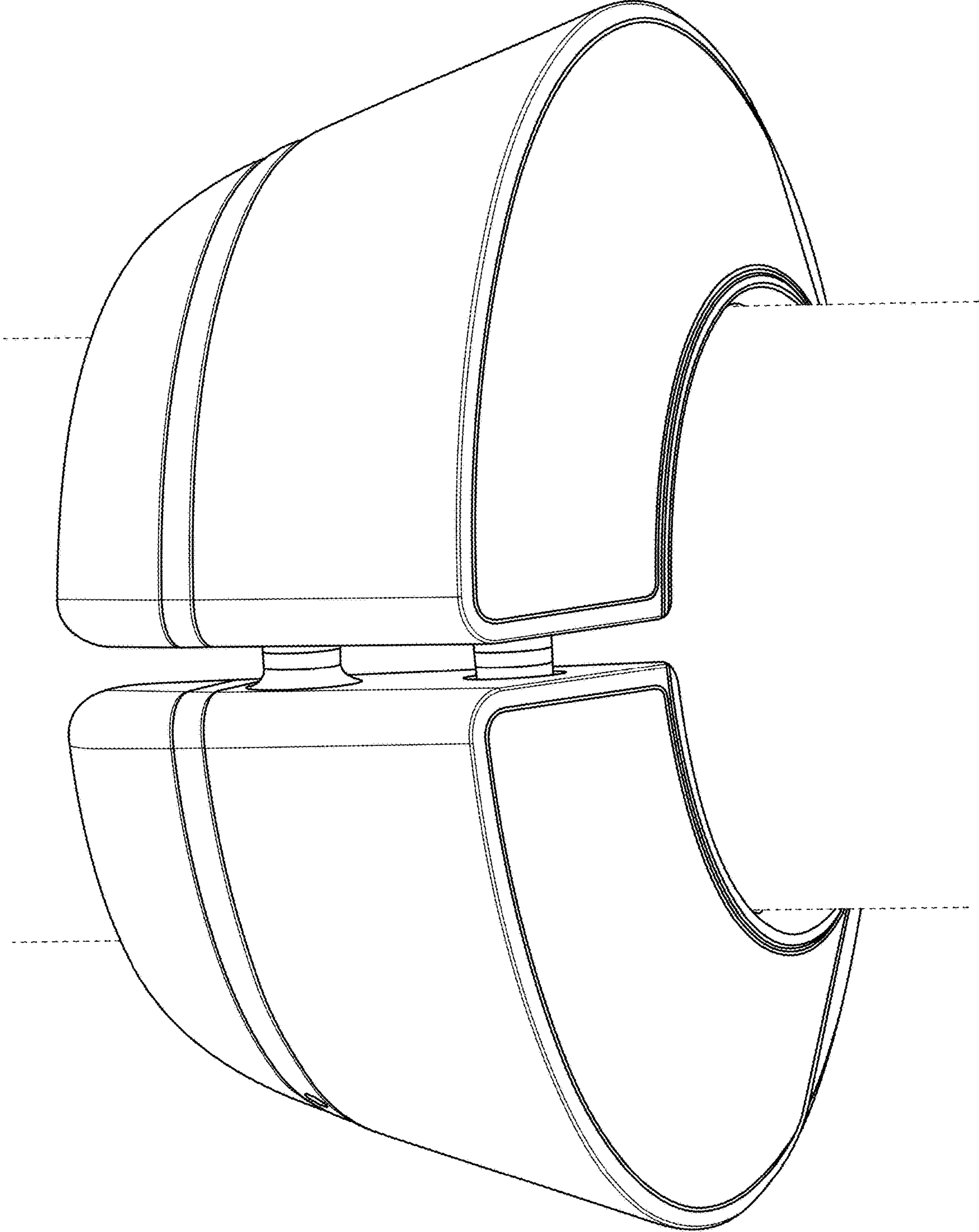


FIG. 3

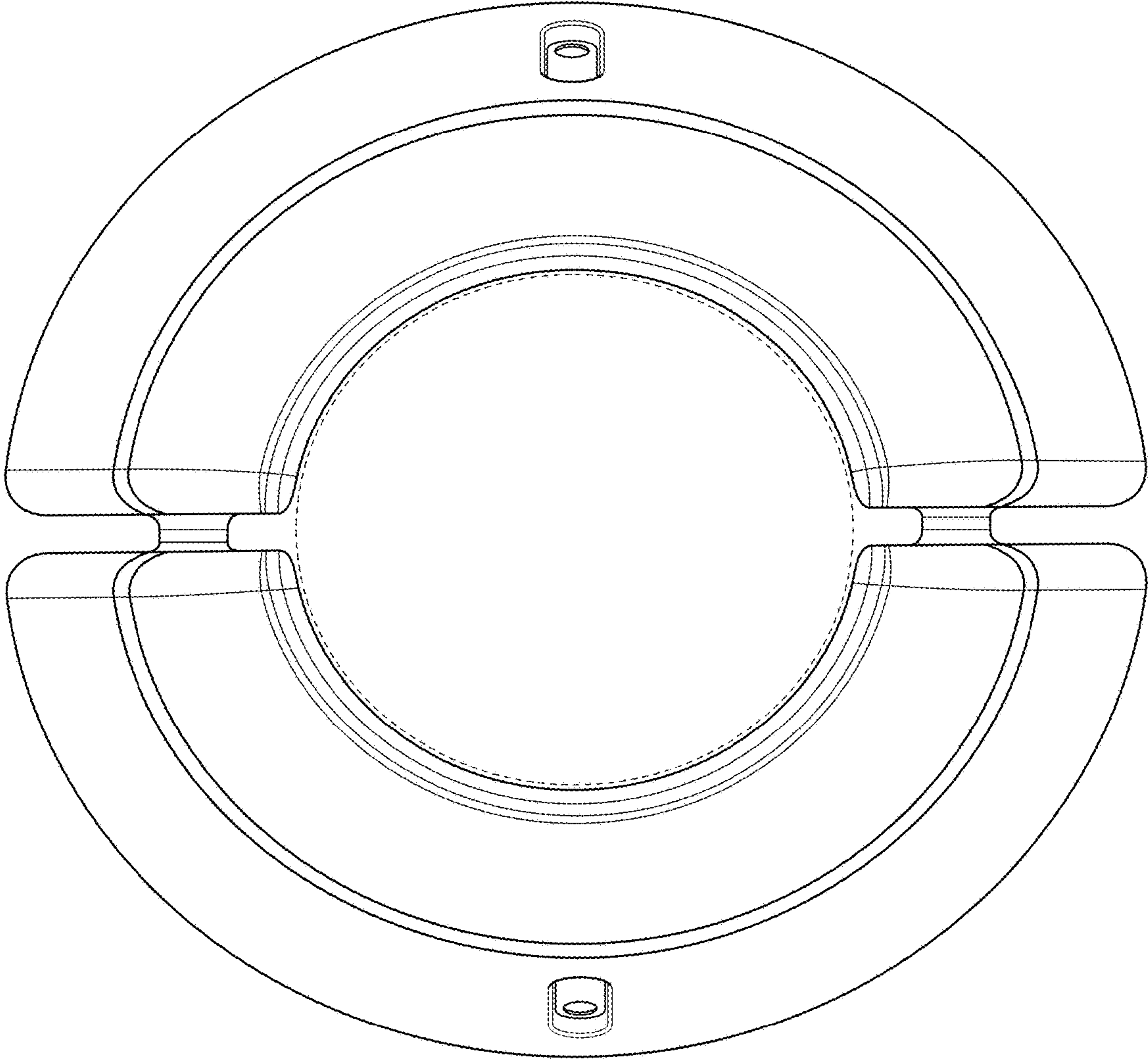


FIG. 4

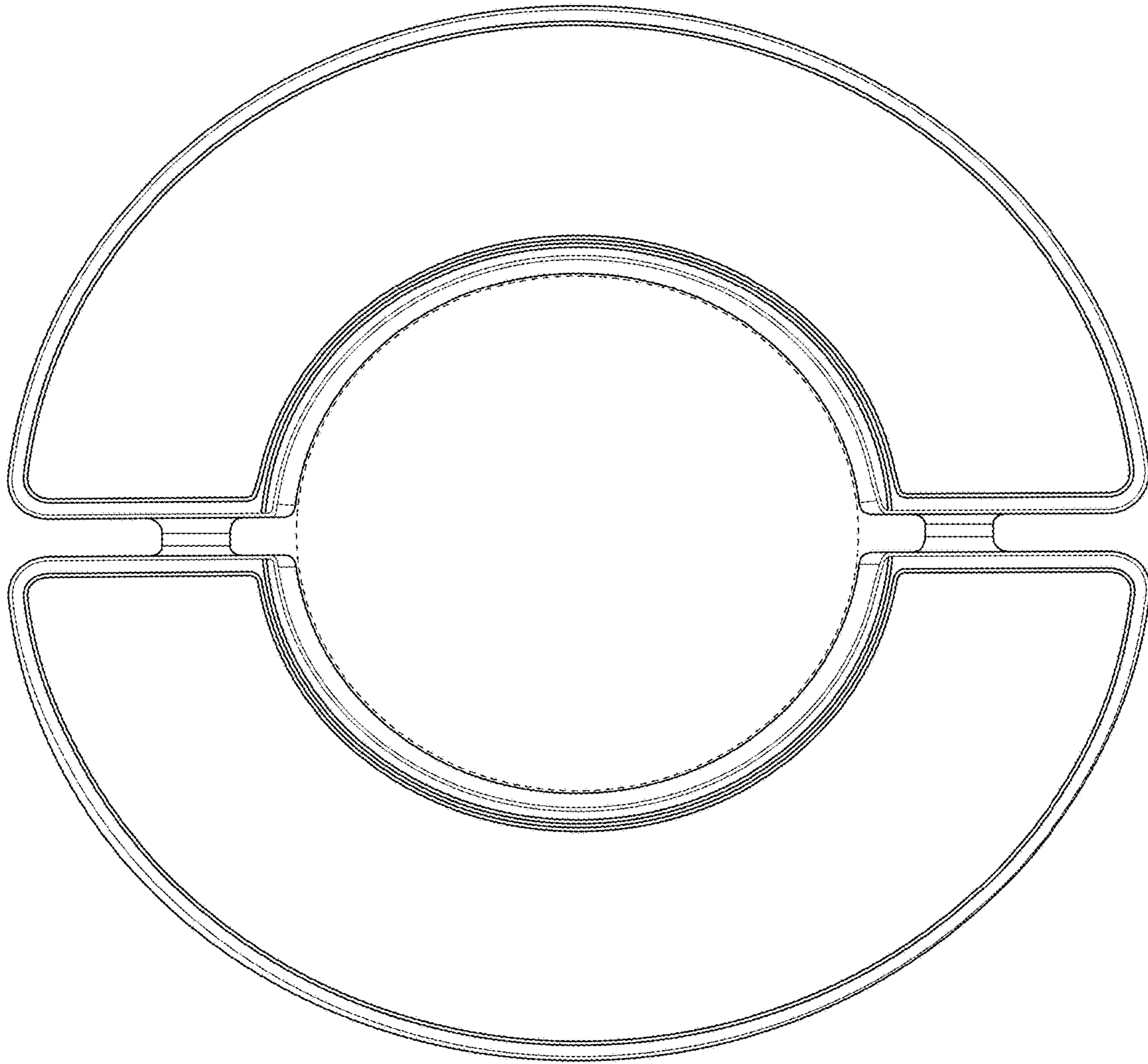


FIG. 5

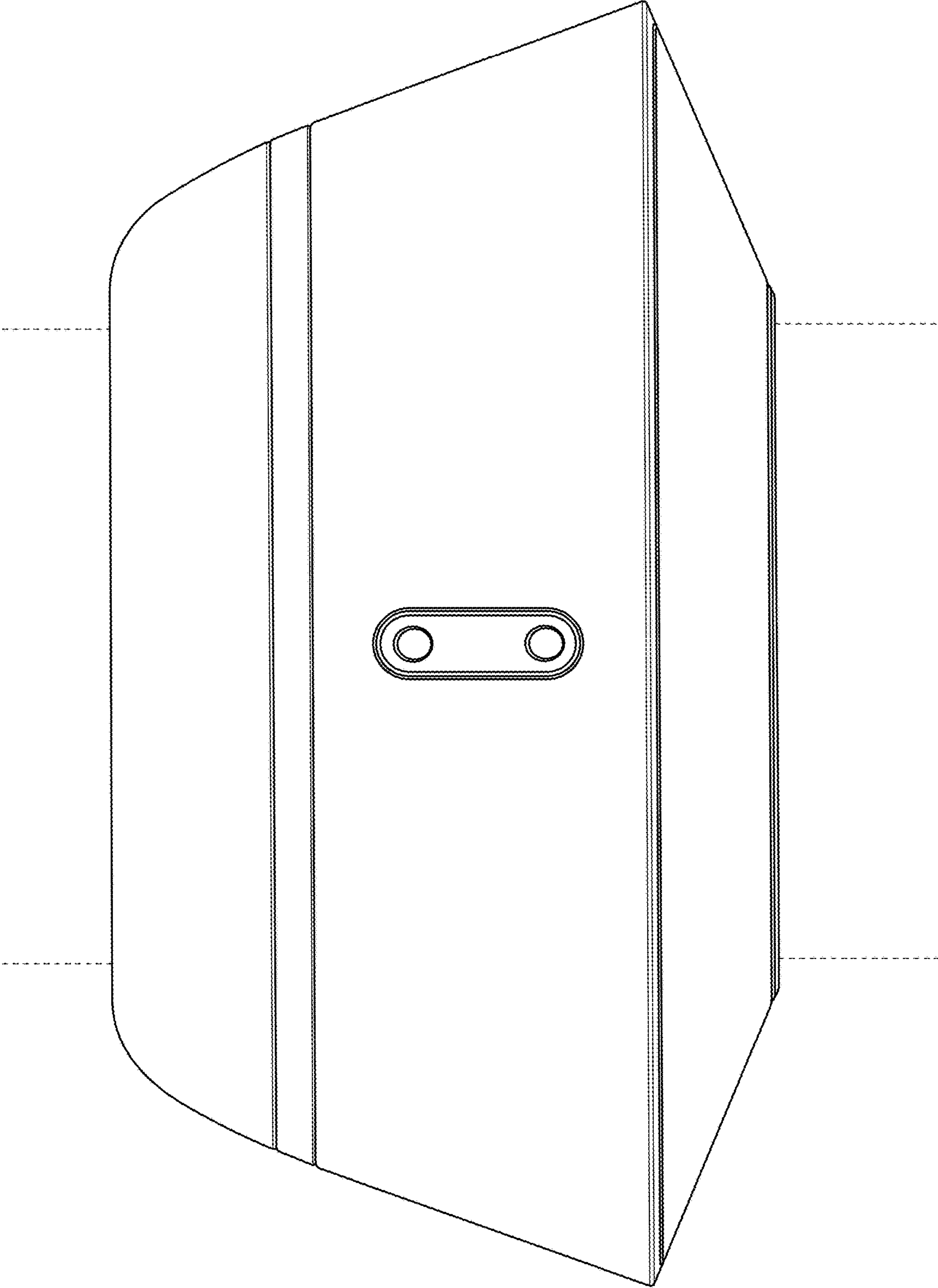


FIG. 6

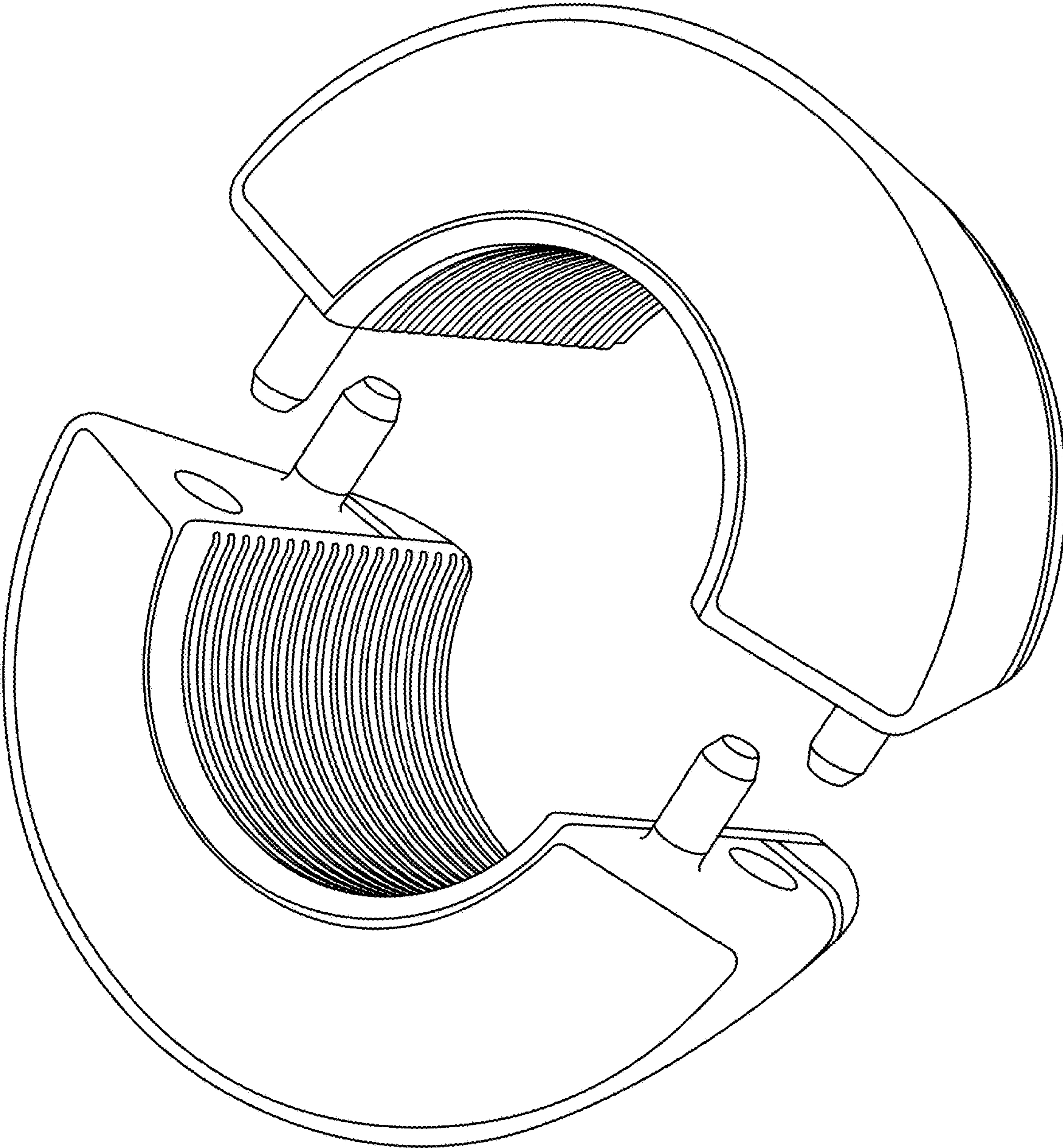


FIG. 7