



US00D794632S

(12) **United States Design Patent** (10) **Patent No.:** **US D794,632 S**  
**Solomon et al.** (45) **Date of Patent:** **\*\* Aug. 15, 2017**

(54) **WATCH BODY**

(71) Applicant: **Pebble Technology, Corp.**, Redwood City, CA (US)

(72) Inventors: **Mark Charles Solomon**, San Jose, CA (US); **Marcus Maurice Townsend**, San Francisco, CA (US); **Steven William Johns**, Vancouver (CA)

(73) Assignee: **Pebble Technology Corp.**, Palo Alto, CA (US)

(\*\*) Term: **15 Years**

(21) Appl. No.: **29/548,493**

(22) Filed: **Dec. 14, 2015**

**Related U.S. Application Data**

(63) Continuation of application No. 29/534,057, filed on Jul. 24, 2015, now Pat. No. Des. 755,178.

(51) **LOC (10) Cl.** ..... **14-02**

(52) **U.S. Cl.**  
USPC ..... **D14/344**; D10/38

(58) **Field of Classification Search**  
USPC ..... D2/623, 626, 639, 878; D8/88, 356;  
D10/30-39, 70, 98; D11/3, 87, 93-94,  
(Continued)

(56) **References Cited**

**U.S. PATENT DOCUMENTS**

D188,062 S \* 5/1960 Pretat ..... D10/38  
D215,112 S \* 9/1969 Meylan ..... D10/38  
(Continued)

**OTHER PUBLICATIONS**

Часы Spovan Bravo 2 (VPro II) ОБЗОР, posted Feb. 18, 2014, [retrieved Oct. 13, 2016]. Retrieved from Internet, <URL: <https://www.youtube.com/watch?v=TBVButUgpd8> >.\*

(Continued)

*Primary Examiner* — Barbara Fox

*Assistant Examiner* — Kristin E Reed

(74) *Attorney, Agent, or Firm* — Rutan & Tucker LLP

(57) **CLAIM**

The ornamental design for a watch body, as shown and described.

**DESCRIPTION**

Incorporated by reference U.S. Design application Ser. No. 29/534,046, entitled “Watch Body”, and U.S. Design application Ser. No. 29/534,052, entitled “Watch Body”, all three of which that have material that is essential to the claimed design are included in this Application. It is understood that any material in U.S. application Ser. Nos. 29/534,052 and 29/534,046 that are not present in this Application form no part of the claimed design.

FIG. 1 is a top perspective view showing a watch body according to our new design from a first end;

FIG. 2 is a bottom perspective view showing the watch body from the first end;

FIG. 3 is an end view of the first end of the watch body;

FIG. 4 is a top perspective view showing the watch body from a second, opposite end;

FIG. 5 is a bottom perspective view showing the watch body from the second end;

FIG. 6 is an end view of the second end of the watch body;

FIG. 7 is a plan view of a top of the watch body;

FIG. 8 is a side view showing a right side of the watch body;

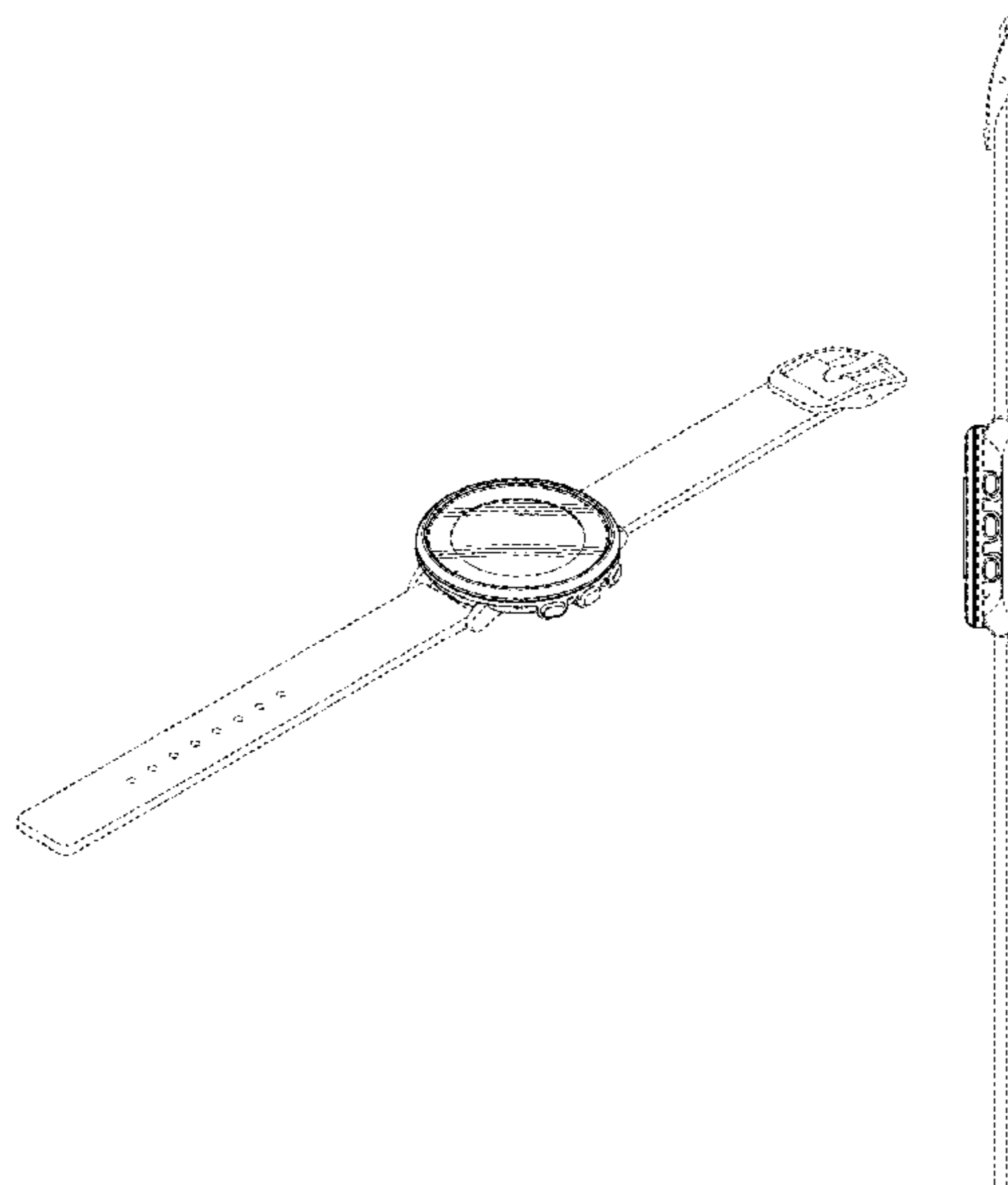
FIG. 9 is a plan view showing a back of the watch body; and,

FIG. 10 is a side view of a left side of the watch body.

The broken lines showing a band illustrate environment; the remaining broken lines illustrate portions of the watch body.

The broken lines form no part of the claimed design.

**1 Claim, 3 Drawing Sheets**



(58) **Field of Classification Search**

USPC ..... D11/200, 201, 210, 216, 218, 221,  
 D11/230-231; D14/344, 138 R, 144,  
 D14/358; D24/167, 169, 186-187  
 CPC ..... G06F 1/163; G06F 1/1628; G06F 1/1626;  
 G06F 1/1635; G06F 1/08; G06F 1/10;  
 G06F 1/04; G06F 1/14; G06F 1/3203;  
 A41D 1/002; H04M 1/02; H04M 1/03;  
 H04M 1/04; H04M 1/05; H04M 1/667;  
 H04M 1/6058; Y02B 60/1217; H04B  
 1/385; H04B 1/3888; H04B 1/3833;  
 A44C 5/00

See application file for complete search history.

(56) **References Cited**

U.S. PATENT DOCUMENTS

D244,086 S 4/1977 Lawrence  
 D244,707 S 6/1977 Tiep  
 D244,761 S 6/1977 Sulek  
 D245,074 S 7/1977 Karibe et al.  
 D246,164 S 10/1977 Koehler  
 D246,765 S 12/1977 Sulek  
 D247,133 S 1/1978 Tiep  
 D247,701 S 4/1978 Kwon  
 D249,874 S 10/1978 Lawrence  
 D250,881 S 1/1979 Liautand  
 D251,773 S 5/1979 Morabito  
 D255,224 S 6/1980 Sulek et al.  
 D255,877 S 7/1980 Yamagami  
 D259,626 S 6/1981 Wada  
 D261,731 S 11/1981 Yamagami et al.  
 D261,732 S 11/1981 Yamagami et al.  
 D261,733 S 11/1981 Iida  
 D261,994 S 11/1981 Yamagami et al.  
 D265,063 S 6/1982 Iida  
 D265,295 S 7/1982 Wada  
 D267,548 S 1/1983 Wada  
 D269,767 S 7/1983 Houlihan et al.  
 D269,951 S 8/1983 Eberhardt et al.  
 D270,244 S 8/1983 McCormick  
 D277,829 S 3/1985 Leg  
 D278,685 S 5/1985 Suzuki et al.  
 D279,081 S 6/1985 Suzuki et al.  
 D283,014 S 3/1986 Suzuki et al.  
 4,825,427 A 4/1989 Wollman  
 D312,416 S 11/1990 Braum  
 5,005,161 A 4/1991 Boilen  
 D317,128 S \* 5/1991 Benson ..... D10/32  
 D319,025 S \* 8/1991 Burgener ..... D10/39  
 D319,028 S \* 8/1991 Bourquin ..... D10/39  
 D324,340 S 3/1992 Houlihan  
 D324,341 S 3/1992 Houlihan  
 D331,884 S \* 12/1992 Wunderman ..... D10/32  
 D336,250 S \* 6/1993 Cannon ..... D10/126  
 D345,926 S 4/1994 Houlihan  
 D346,558 S 5/1994 Hiromori  
 D353,105 S \* 12/1994 Houlihan ..... D10/30  
 D361,277 S \* 8/1995 Riley ..... D10/30  
 D366,036 S 1/1996 Houlihan  
 D373,538 S 9/1996 Riley  
 D380,392 S 7/1997 Kennedy

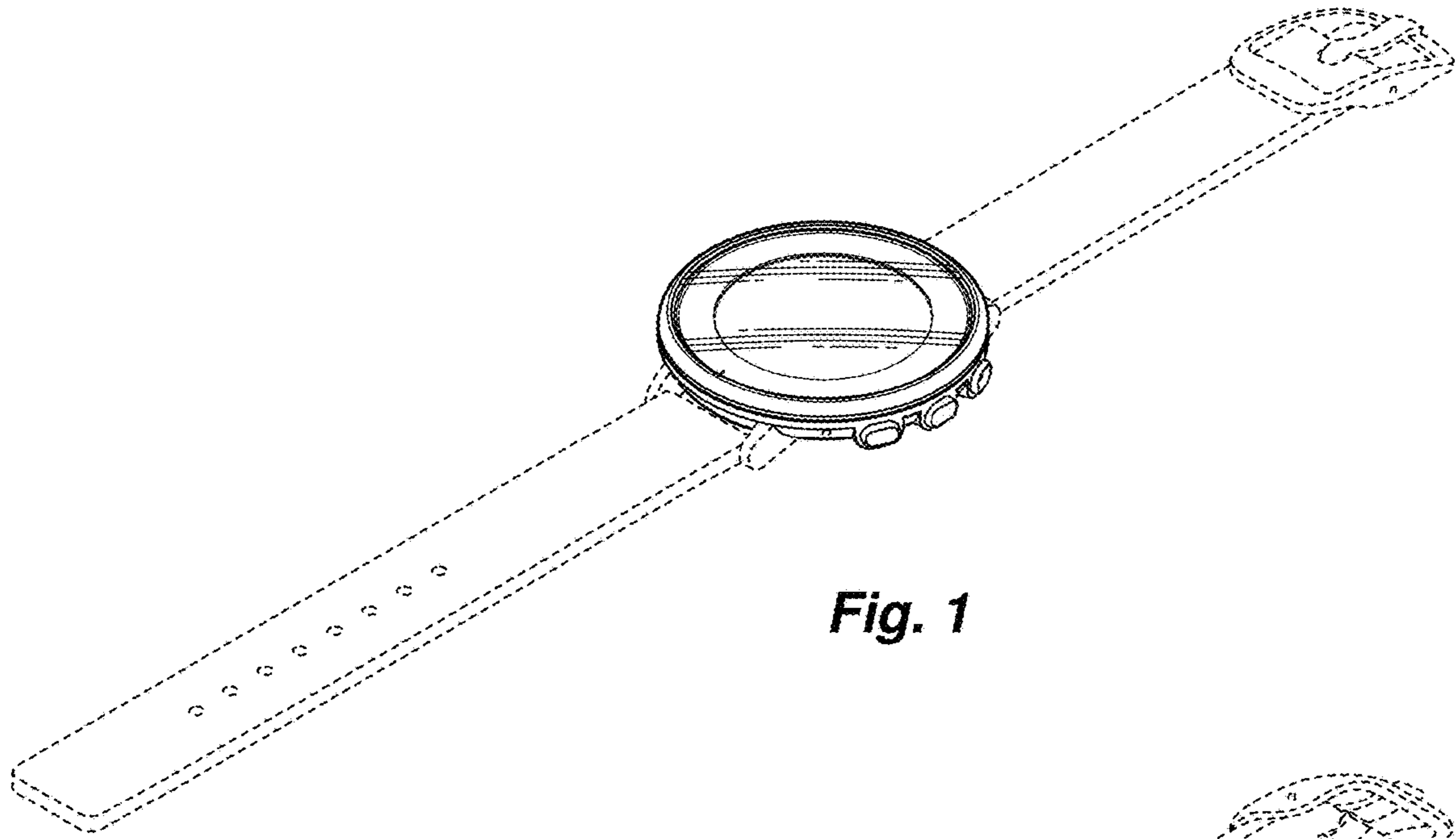
D380,968 S \* 7/1997 Feuvrier ..... D10/30  
 D382,492 S 8/1997 Houlihan  
 D386,428 S 11/1997 Toribio  
 D386,694 S 11/1997 Houlihan  
 D387,289 S \* 12/1997 Houlihan ..... D10/30  
 D387,998 S 12/1997 Ramos, Jr. et al.  
 D388,000 S 12/1997 Molineri  
 D389,070 S 1/1998 Galli  
 D389,752 S 1/1998 Riley  
 D427,081 S 6/2000 Hiramatsu  
 D447,063 S 8/2001 Scheufele  
 D465,739 S \* 11/2002 Arabov ..... D10/39  
 D473,475 S \* 4/2003 Baumann ..... D10/32  
 D508,416 S \* 8/2005 Tang ..... D10/30  
 D508,418 S 8/2005 Kraft  
 D522,885 S \* 6/2006 Le ..... D10/32  
 D528,928 S 9/2006 Burton  
 D554,003 S 10/2007 Journe  
 D554,535 S 11/2007 Journe  
 D564,911 S 3/2008 Holtzman  
 D574,262 S \* 8/2008 Martinez ..... D10/32  
 D582,295 S 12/2008 Schoepfer  
 D611,842 S 3/2010 Parmigiani  
 D613,737 S \* 4/2010 Ahlstrom ..... D14/344  
 D622,167 S \* 8/2010 Jorst ..... D10/39  
 D623,078 S \* 9/2010 Hegi ..... D10/32  
 D624,443 S 9/2010 Cerrato  
 D628,095 S \* 11/2010 Monachon ..... D10/39  
 D628,498 S 12/2010 Arellano  
 D636,686 S 4/2011 Cobbett et al.  
 D645,360 S 9/2011 Kiser et al.  
 D645,361 S 9/2011 Parmigiani  
 D651,099 S 12/2011 Ruffieux  
 D656,414 S 3/2012 Parmigiani  
 D665,685 S \* 8/2012 Okuda ..... D10/65  
 D667,126 S 9/2012 Cho et al.  
 D672,667 S 12/2012 Mix  
 D679,399 S \* 4/2013 Syu ..... D24/167  
 D693,251 S 11/2013 Anderssen et al.  
 D694,655 S 12/2013 Rufenacht  
 D701,504 S 3/2014 Christopher et al.  
 D703,204 S 4/2014 Riddiford et al.  
 D705,673 S 5/2014 Arellano  
 D709,875 S 7/2014 Aumiller  
 D711,872 S 8/2014 Aumiller  
 D717,678 S 11/2014 Anderssen et al.  
 D718,150 S 11/2014 Gueit  
 D719,123 S 12/2014 Park et al.  
 D732,985 S 6/2015 Cerrato  
 D733,580 S 7/2015 Cerrato  
 D734,677 S 7/2015 Ruffieux  
 D744,871 S \* 12/2015 Rabassa ..... D10/126  
 D750,625 S \* 3/2016 Solomon ..... D10/38  
 D752,583 S \* 3/2016 Solomon ..... D10/38  
 D755,178 S \* 5/2016 Solomon ..... D10/38  
 2014/0143785 A1 5/2014 Mistry

OTHER PUBLICATIONS

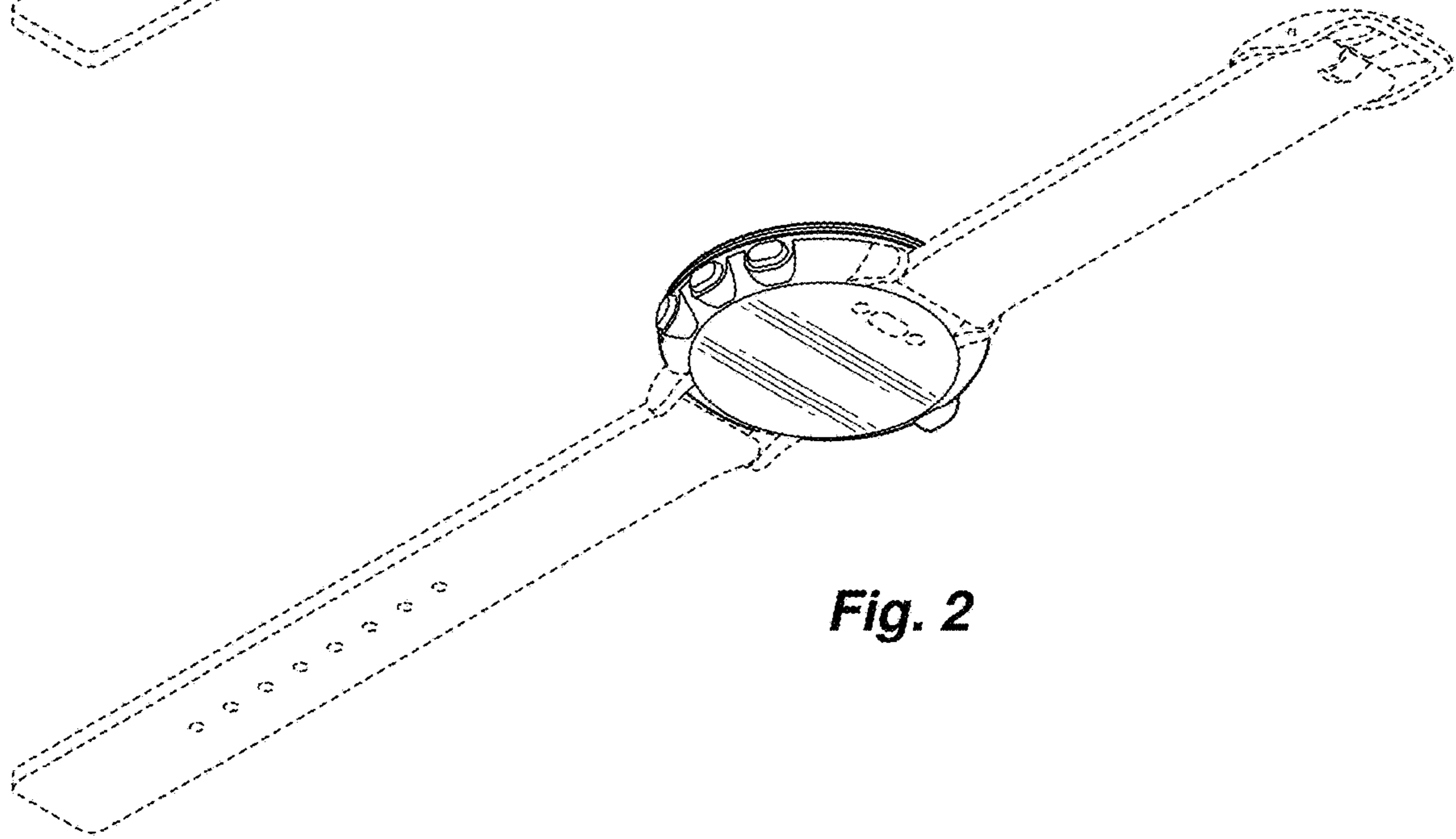
A New Face for Pebble, posted Sep. 23, 2015, [retrieved Oct. 13, 2016]. Retrieved from Internet, <URL: <https://blog.getpebble.com/2015/09/23/timeround/>>.\*  
 U.S. Appl. No. 29/534,057, filed Jul. 24, 2015, Solomon.

\* cited by examiner

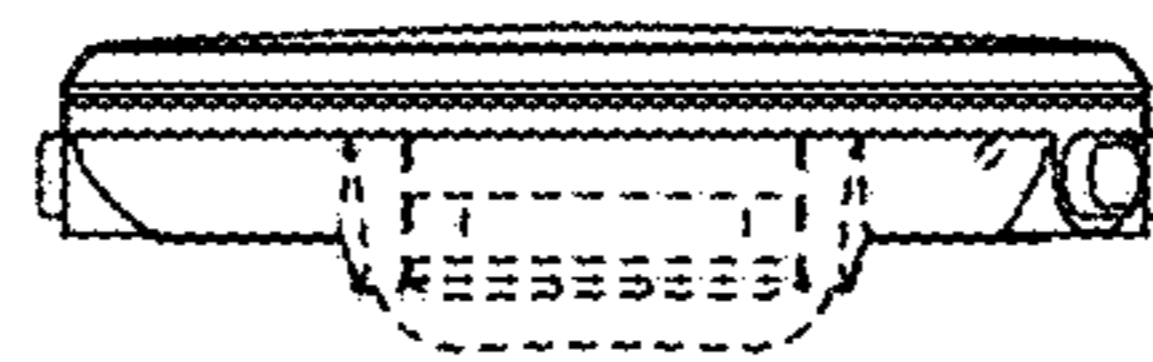




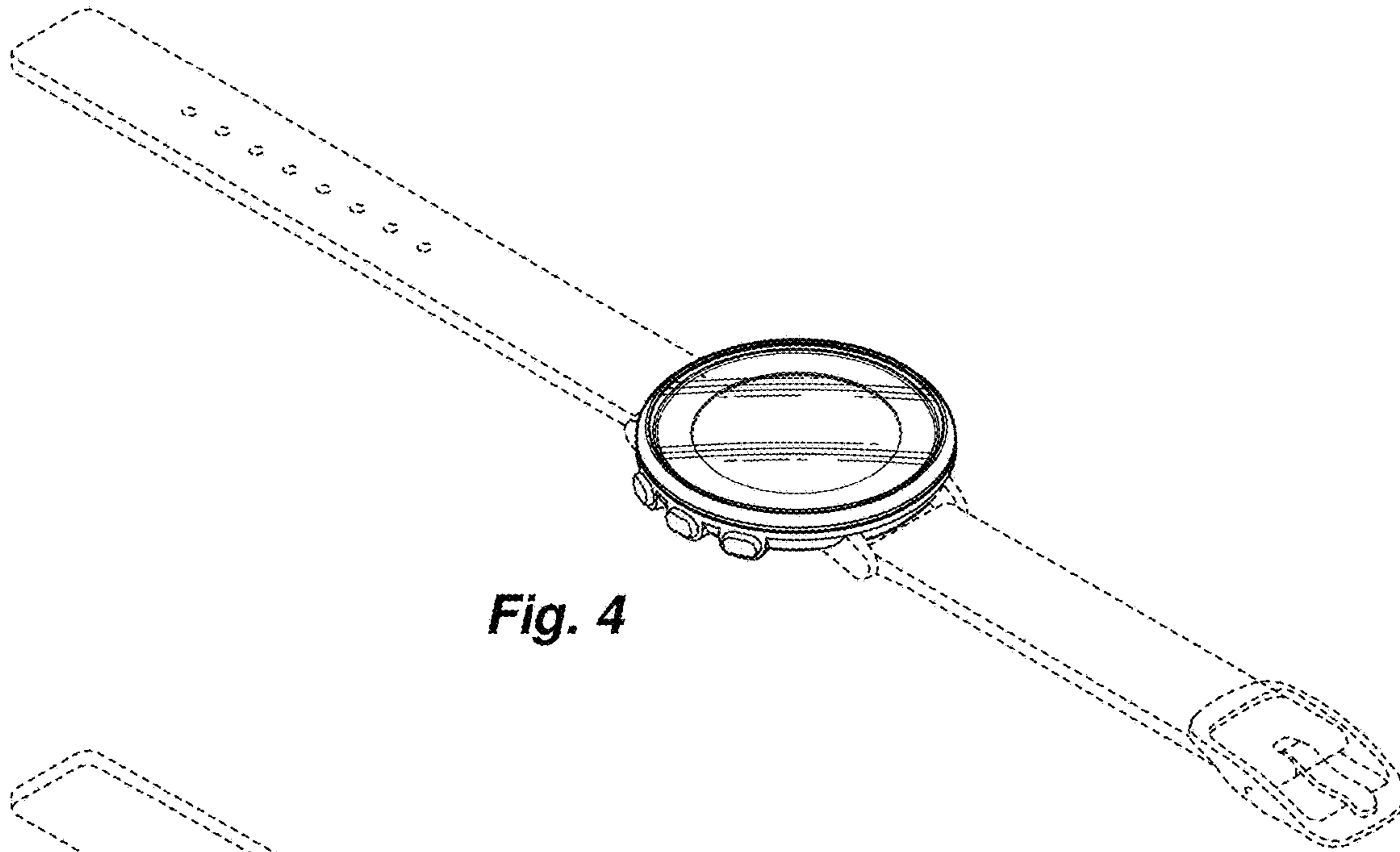
**Fig. 1**



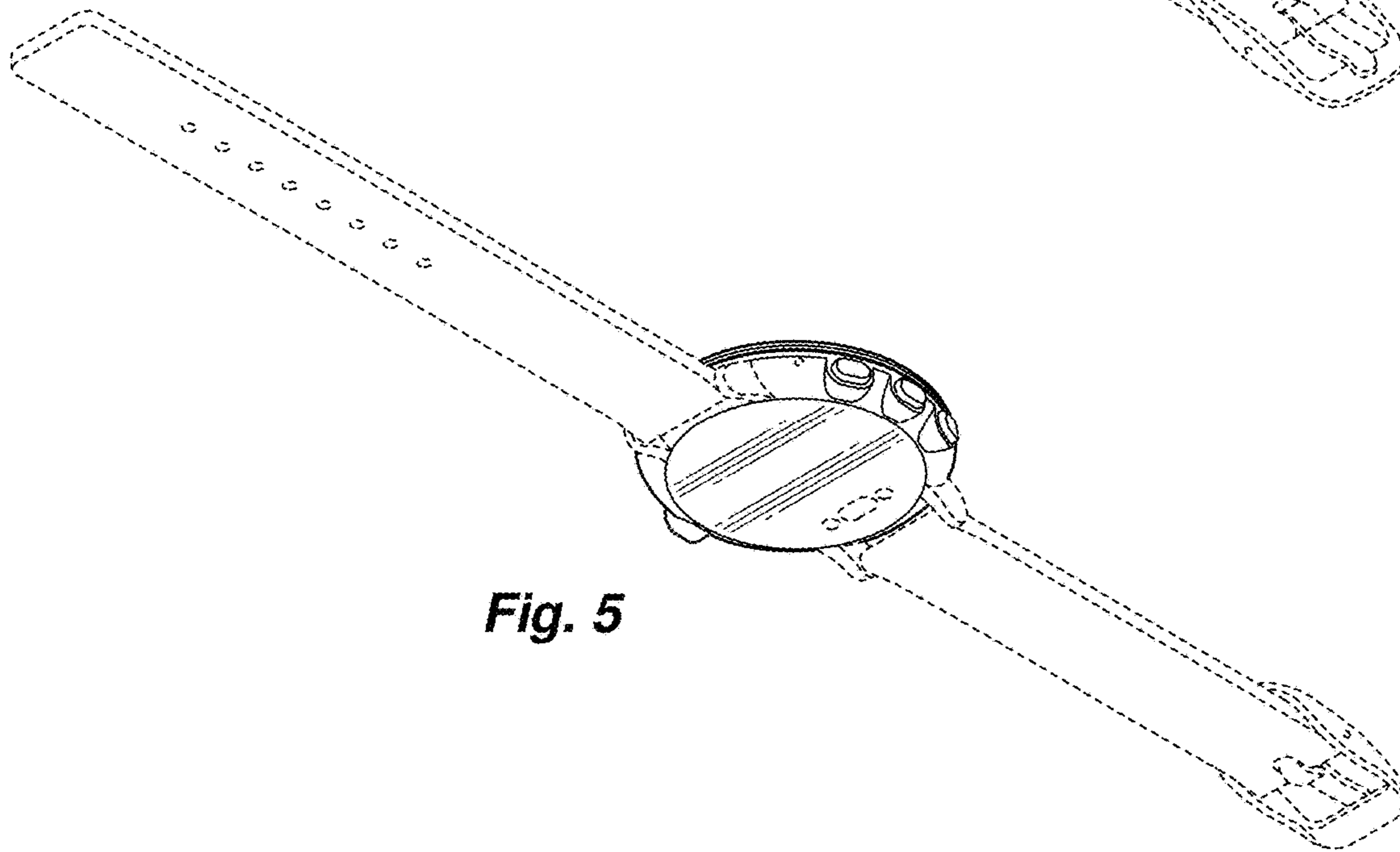
**Fig. 2**



**Fig. 3**



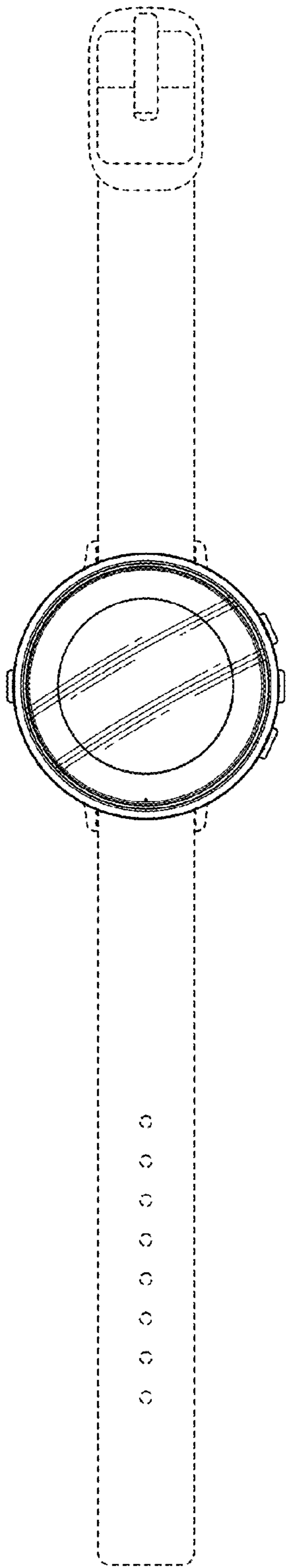
**Fig. 4**



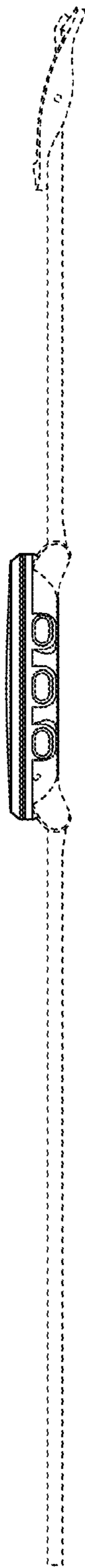
**Fig. 5**



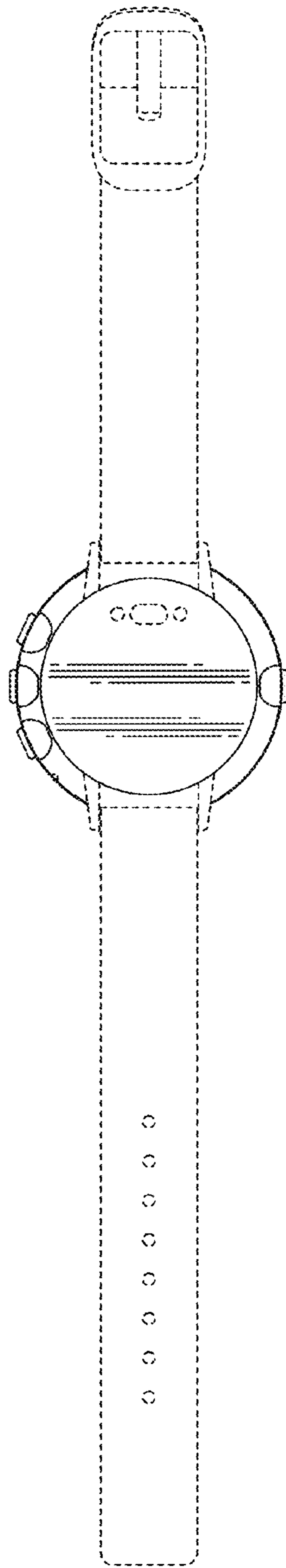
**Fig. 6**



**Fig. 7**



**Fig. 8**



**Fig. 9**



**Fig. 10**