



US00D794631S

(12) **United States Design Patent** (10) **Patent No.:** **US D794,631 S**
Solomon et al. (45) **Date of Patent:** **** Aug. 15, 2017**

(54) **WATCH BODY**

(71) Applicant: **Pebble Technology, Corp.**, Redwood City, CA (US)

(72) Inventors: **Mark Charles Solomon**, San Jose, CA (US); **Marcus Maurice Townsend**, San Francisco, CA (US); **Steven William Johns**, Vancouver (CA)

(73) Assignee: **Pebble Technology, Corp.**, Redwood City, CA (US)

(**) Term: **15 Years**

(21) Appl. No.: **29/548,449**

(22) Filed: **Dec. 14, 2015**

Related U.S. Application Data

(63) Continuation of application No. 29/534,046, filed on Jul. 24, 2015, now Pat. No. Des. 750,625.

(51) **LOC (10) Cl.** **14-02**

(52) **U.S. Cl.**
USPC **D14/344**; D10/38

(58) **Field of Classification Search**
USPC D2/623, 626, 639, 878; D8/88, 356;
D10/30-39, 70, 98; D11/3, 87, 93-94,
(Continued)

(56) **References Cited**

U.S. PATENT DOCUMENTS

D188,062 S * 5/1960 Pretat D10/38
D215,112 S * 9/1969 Meylan D10/38
(Continued)

OTHER PUBLICATIONS

4acbl Spovan Bravo 2 (VPro II) O63OP, posted Feb. 18, 2014, [retrieved Oct. 13, 2016]. Retrieved from Internet, <URL: <https://www.youtube.com/watch?v=TBVButUgpd8> >.*

A New Face for Pebble, posted Sep. 23, 2015, [retrieved Oct. 13, 2016]. Retrieved from Internet, <URL: <https://blog.getpebble.com/2015/09/23/timeround/> >.*
U.S. Appl. No. 29/534,046, filed Jul. 24, 2015, Solomon, et al.

Primary Examiner — Barbara Fox
Assistant Examiner — Kristin E Reed
(74) *Attorney, Agent, or Firm* — Rutan & Tucker LLP

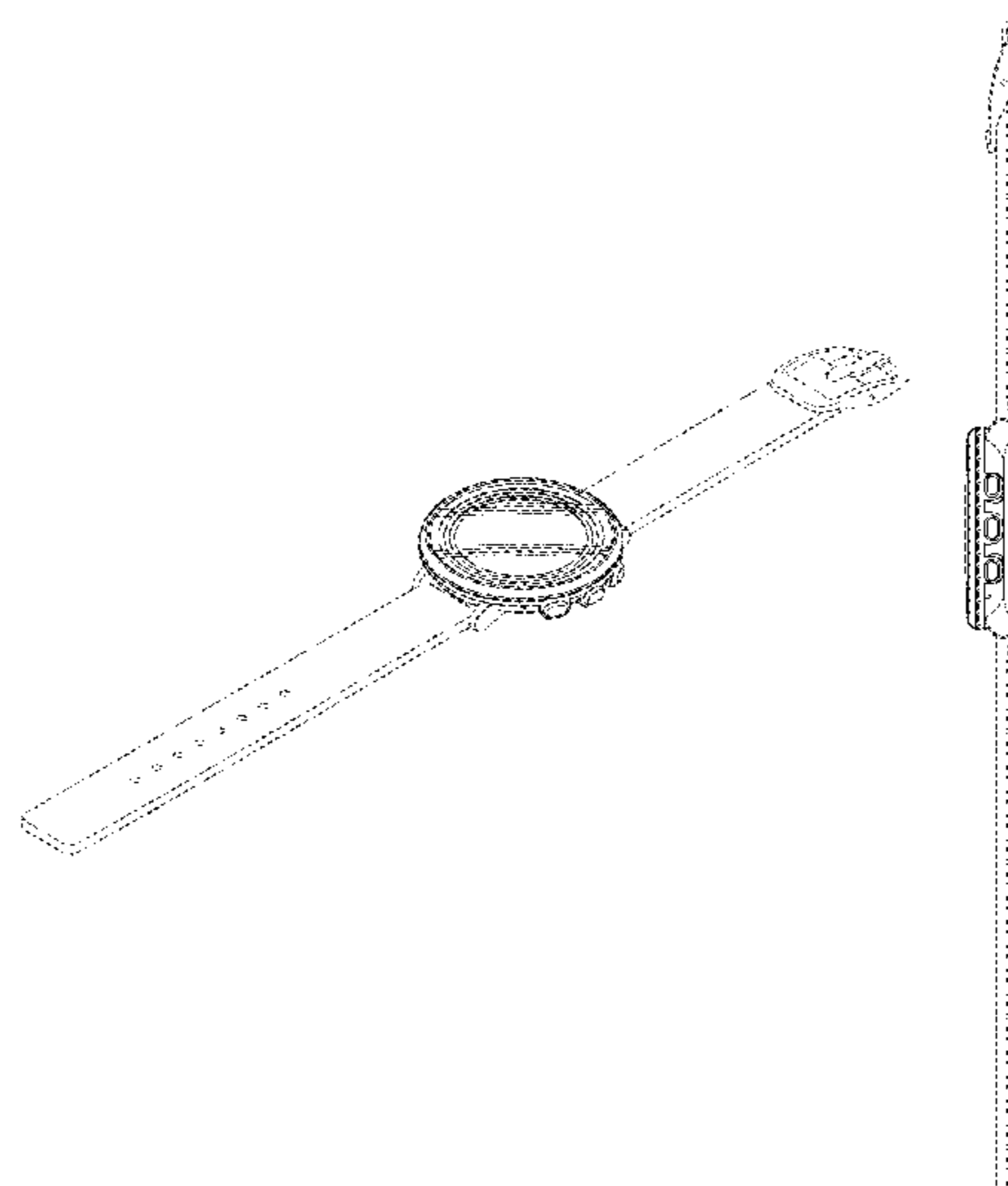
(57) **CLAIM**

The ornamental design for a watch body, as shown and described.

DESCRIPTION

U.S. Design patent application Ser. No. 29/534,057, entitled “Watch Body,” and U.S. Design patent application Ser. No. 29/534,052, entitled “Watch Body” that have material that is essential to the claimed design are included in this Application. It is understood that any material in U.S. application Ser. Nos. 29/534,052 and 29/534,057 that are not present in this Application form no part of the claimed design.
FIG. 1 is a top perspective view showing a watch body according to our new design from a first end;
FIG. 2 is a bottom perspective view showing the watch body from the first end;
FIG. 3 is an end view of the first end of the watch body;
FIG. 4 is a top perspective view showing the watch body from a second, opposite end;
FIG. 5 is a bottom perspective view showing the watch body from the second end;
FIG. 6 is an end view of the second end of the watch body;
FIG. 7 is a plan view of a top of the watch body;
FIG. 8 is a side view showing a right side of the watch body;
FIG. 9 is a plan view showing a back of the watch body; and,
FIG. 10 is a side view of a left side of the watch body.
The broken lines showing a band in FIGS. 1-10 illustrate environment; the remaining broken lines in FIGS. 1-10 illustrate portions of the watch body. The broken lines form no part of the claimed design.

1 Claim, 3 Drawing Sheets



(58) **Field of Classification Search**

USPC D11/200, 201, 210, 216, 218, 221,
 D11/230-231; D14/344, 138 R, 144,
 D14/358; D24/167, 169, 186-187
 CPC G06F 1/163; G06F 1/1628; G06F 1/1626;
 G06F 1/1635; G06F 1/08; G06F 1/10;
 G06F 1/04; G06F 1/14; G06F 1/3203;
 A41D 1/002; H04M 1/02; H04M 1/03;
 H04M 1/04; H04M 1/05; H04M 1/667;
 H04M 1/6058; Y02B 60/1217; H04B
 1/385; H04B 1/3888; H04B 1/3833;
 A44C 5/00

See application file for complete search history.

(56) **References Cited**

U.S. PATENT DOCUMENTS

D244,086 S 4/1977 Lawrence
 D244,707 S 6/1977 Tiep
 D244,761 S 6/1977 Sulek
 D245,074 S 7/1977 Karibe et al.
 D246,164 S 10/1977 Koehler
 D246,765 S 12/1977 Sulek
 D247,133 S 1/1978 Tiep
 D247,701 S 4/1978 Kwon
 D249,874 S 10/1978 Lawrence
 D250,881 S 1/1979 Liautaud
 D251,773 S 5/1979 Morabito
 D255,224 S 6/1980 Sulek et al.
 D255,877 S 7/1980 Yamagami
 D259,626 S 6/1981 Wada
 D261,731 S 11/1981 Yamagami et al.
 D261,732 S 11/1981 Yamagami et al.
 D261,733 S 11/1981 Iida
 D261,994 S 11/1981 Yamagami et al.
 D265,063 S 6/1982 Iida
 D265,295 S 7/1982 Wada
 D267,548 S 1/1983 Wada
 D269,767 S 7/1983 Houlihan et al.
 D269,951 S 8/1983 Eberhardt et al.
 D270,244 S 8/1983 McCormick
 D277,829 S 3/1985 Leg
 D278,685 S 5/1985 Suzuki et al.
 D279,081 S 6/1985 Suzuki et al.
 D283,014 S 3/1986 Suzuki et al.
 D285,779 S 9/1986 Maron
 D285,908 S 9/1986 Maron
 D288,296 S 2/1987 Maron
 4,825,427 A 4/1989 Wollman
 D312,416 S 11/1990 Braum
 5,005,161 A 4/1991 Boilen
 D317,128 S * 5/1991 Benson D10/32
 D319,025 S * 8/1991 Burgener D10/39
 D319,028 S * 8/1991 Bourquin D10/39
 D324,340 S 3/1992 Houlihan
 D324,341 S 3/1992 Houlihan
 D331,884 S * 12/1992 Wunderman D10/32
 D336,250 S * 6/1993 Cannon D10/126
 D345,926 S 4/1994 Houlihan
 D346,558 S 5/1994 Hiromori
 D351,558 S 10/1994 Moon
 D353,105 S * 12/1994 Houlihan D10/30
 D361,277 S * 8/1995 Riley D10/30

D364,828 S 12/1995 Dumas
 D365,283 S 12/1995 Goulet Maubouissin
 D366,036 S 1/1996 Houlihan
 D373,087 S 8/1996 Goulet Maubouissin
 D373,538 S 9/1996 Riley
 D380,392 S 7/1997 Kennedy
 D380,968 S * 7/1997 Feuvrier D10/30
 D382,492 S 8/1997 Houlihan
 D386,428 S 11/1997 Toribio
 D386,694 S 11/1997 Houlihan
 D387,289 S * 12/1997 Houlihan D10/30
 D387,998 S 12/1997 Ramos, Jr. et al.
 D389,070 S 1/1998 Galli
 D389,752 S 1/1998 Riley
 D399,759 S 10/1998 Kennedy
 D427,081 S 6/2000 Hiramatsu
 D447,063 S 8/2001 Scheufele
 D465,739 S * 11/2002 Arabov D10/39
 D473,475 S * 4/2003 Baumann D10/32
 D508,416 S * 8/2005 Tang D10/30
 D508,418 S 8/2005 Kraft
 D522,885 S * 6/2006 Le D10/32
 D528,928 S 9/2006 Burton
 D554,003 S 10/2007 Journe
 D554,535 S 11/2007 Journe
 D564,911 S 3/2008 Holtzman
 D574,262 S * 8/2008 Martinez D10/32
 D582,295 S 12/2008 Schoepfer
 D588,472 S 3/2009 Messmer
 D611,842 S 3/2010 Parmigiani
 D613,737 S * 4/2010 Ahlstrom D14/344
 D622,167 S * 8/2010 Jorst D10/39
 D623,078 S * 9/2010 Hegi D10/32
 D624,443 S 9/2010 Cerrato
 D628,095 S * 11/2010 Monachon D10/39
 D628,498 S 12/2010 Arellano
 D636,686 S 4/2011 Cobbett et al.
 D645,360 S 9/2011 Kiser et al.
 D645,361 S 9/2011 Parmigiani
 D651,099 S 12/2011 Ruffieux
 D656,414 S 3/2012 Parmigiani
 D665,685 S * 8/2012 Okuda D10/65
 D667,126 S 9/2012 Cho et al.
 D672,667 S 12/2012 Mix
 D679,399 S * 4/2013 Syu D24/167
 D693,251 S 11/2013 Anderssen et al.
 D694,655 S 12/2013 Rufenacht
 D701,504 S 3/2014 Christopher et al.
 D703,204 S 4/2014 Riddiford et al.
 D705,673 S 5/2014 Arellano
 D709,875 S 7/2014 Aumiller
 D711,872 S 8/2014 Aumiller
 D717,678 S 11/2014 Anderssen et al.
 D718,150 S 11/2014 Gueit
 D719,123 S 12/2014 Park et al.
 D726,675 S 4/2015 Choi
 D726,677 S 4/2015 Choi
 D732,985 S 6/2015 Cerrato
 D733,580 S 7/2015 Cerrato
 D734,677 S 7/2015 Ruffieux
 D744,871 S * 12/2015 Rabassa D10/126
 D750,625 S * 3/2016 Solomon D10/38
 D752,583 S * 3/2016 Solomon D10/38
 D755,178 S * 5/2016 Solomon D10/38
 2014/0143785 A1 5/2014 Mistry

* cited by examiner

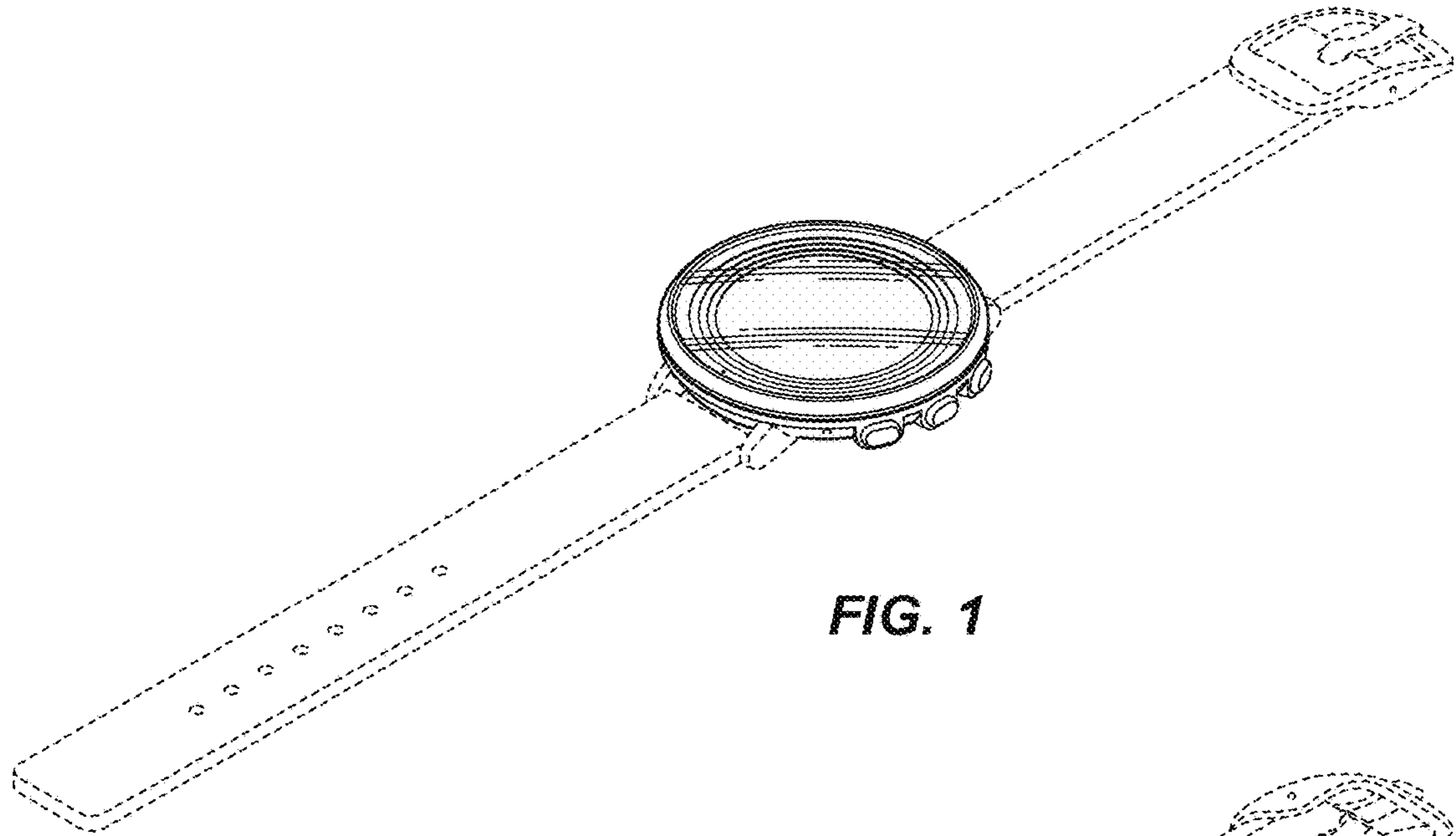


FIG. 1

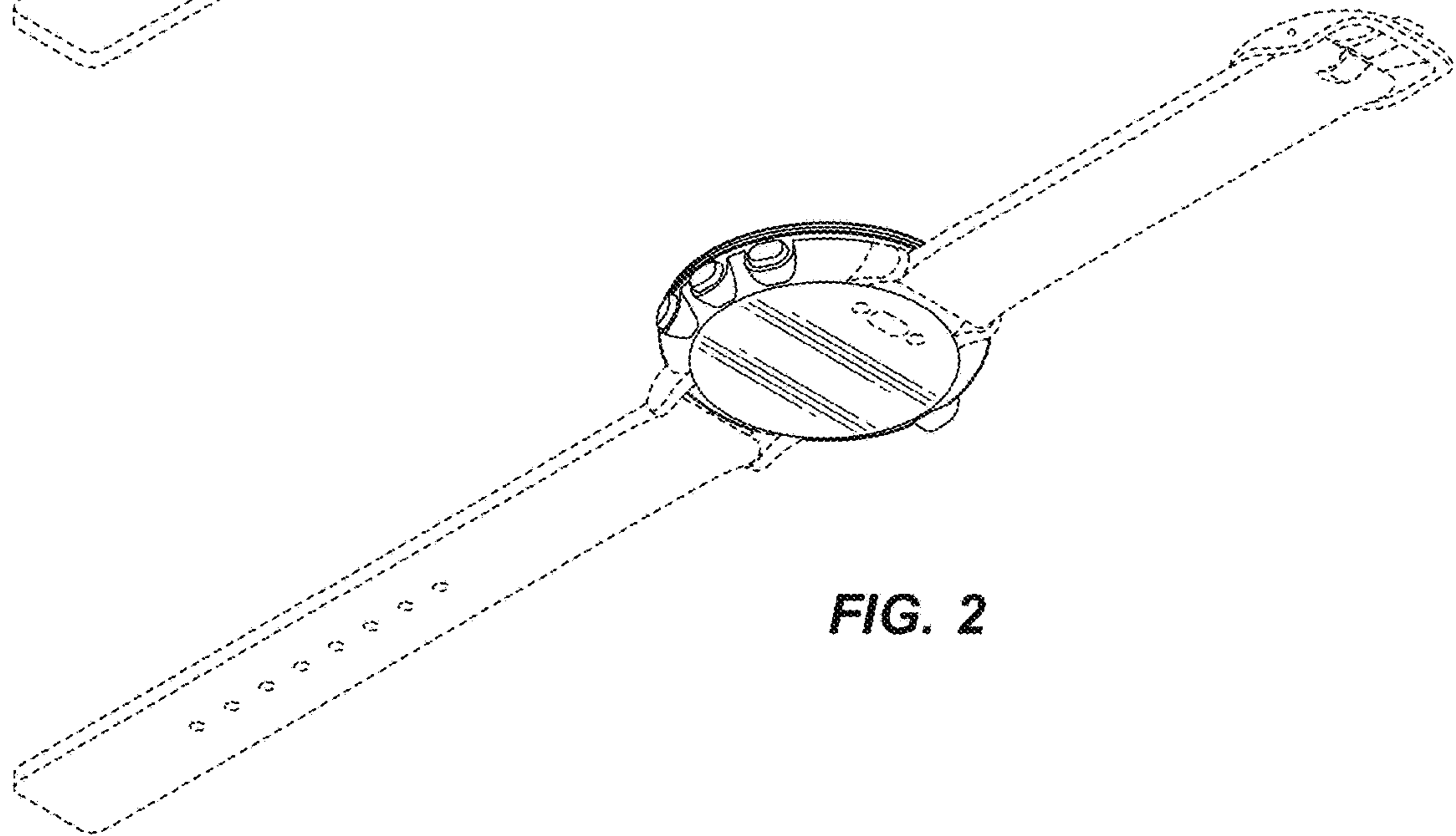


FIG. 2

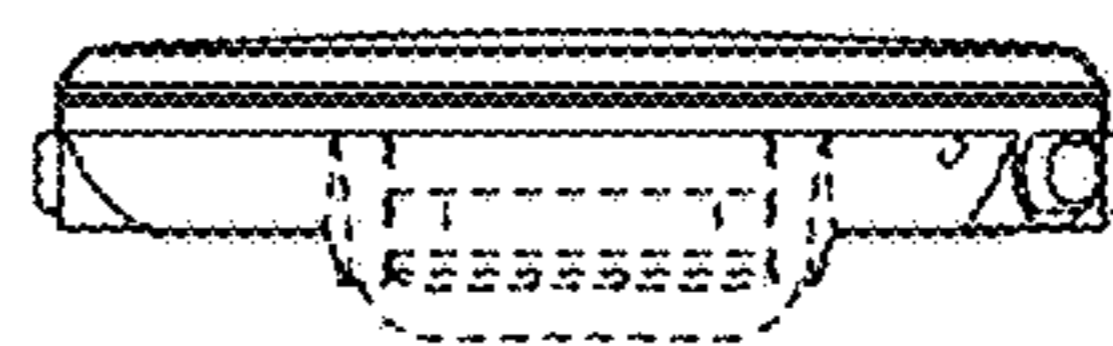


FIG. 3

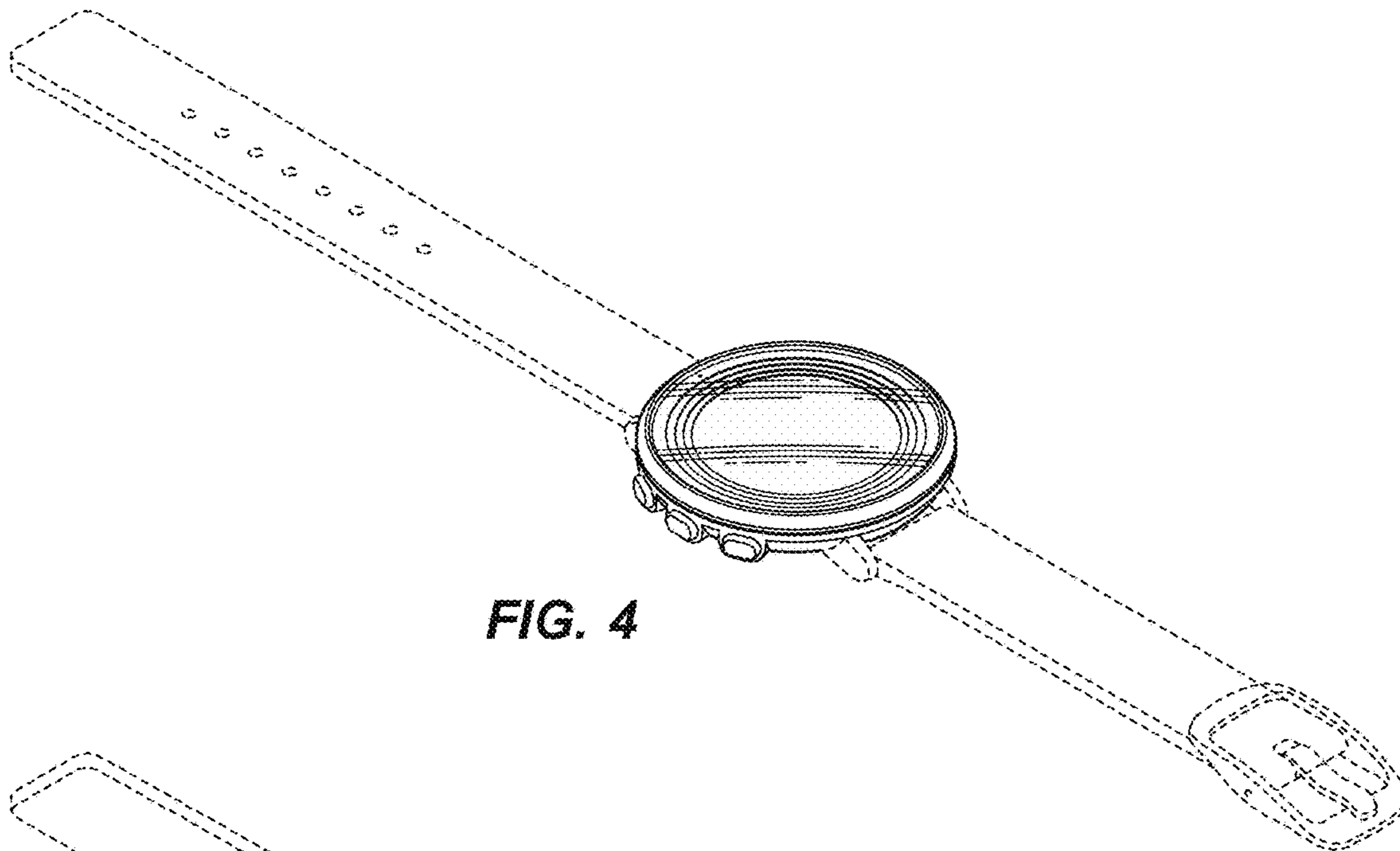


FIG. 4

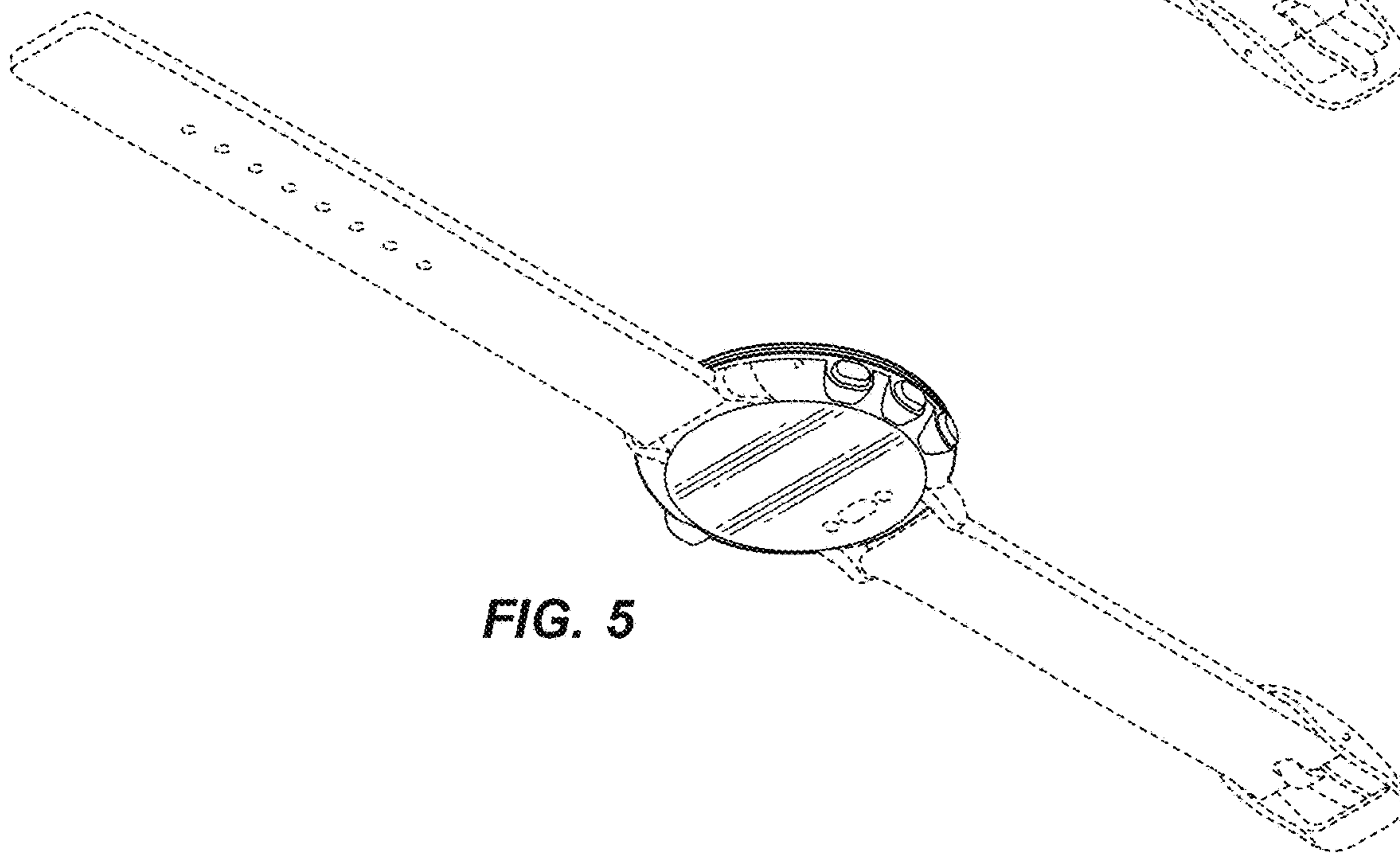


FIG. 5



FIG. 6

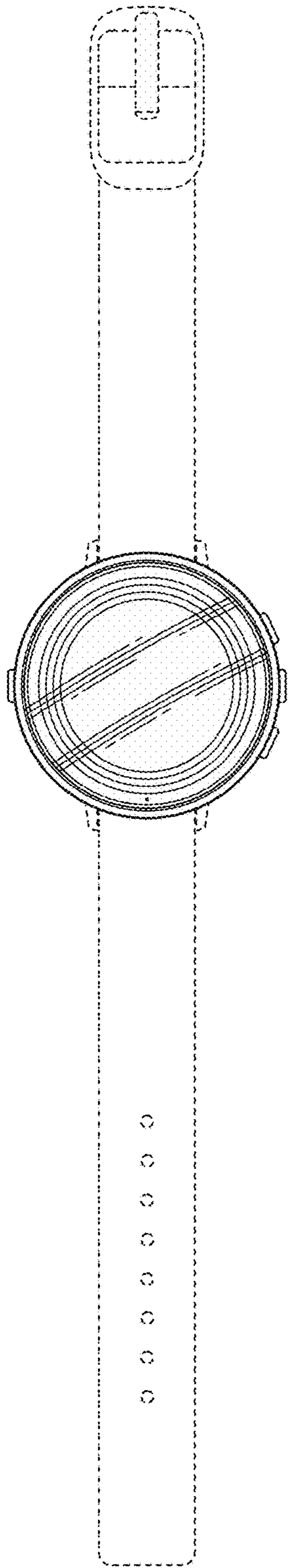


FIG. 7

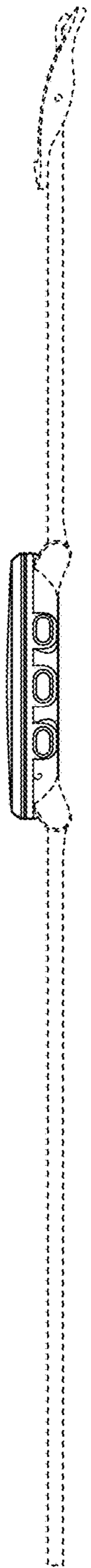


FIG. 8

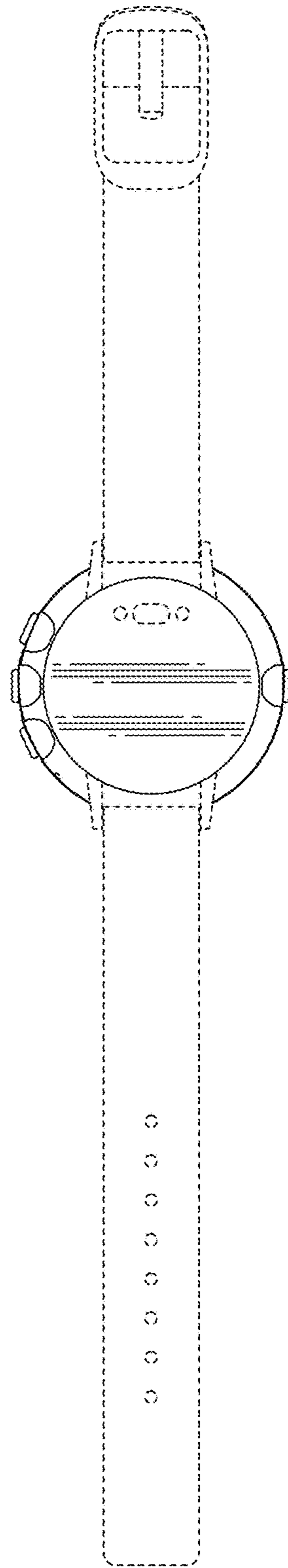


FIG. 9

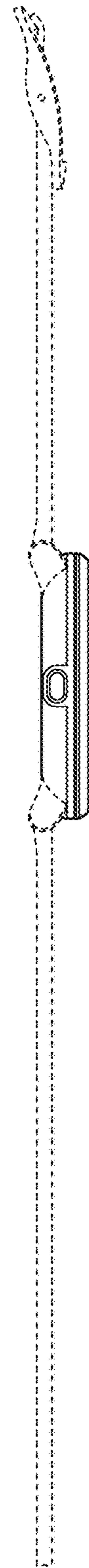


FIG. 10