



US00D794620S

(12) **United States Design Patent** (10) **Patent No.:** **US D794,620 S**
Lee et al. (45) **Date of Patent:** **** Aug. 15, 2017**

(54) **TELEVISION STAND**

FOREIGN PATENT DOCUMENTS

(71) Applicant: **Samsung Electronics Co., Ltd.**,
Suwon-si (KR)

CN 303012041 S 11/2014
CN 303042071 S 12/2014

(Continued)

(72) Inventors: **Sang-Young Lee**, Gwangmyung-si
(KR); **Ki-Hong Kim**, Goyang-si (KR)

Primary Examiner — Randall Gholson
(74) *Attorney, Agent, or Firm* — McAndrews Held &
Malloy, Ltd.

(73) Assignee: **SAMSUNG ELECTRONICS CO.,
LTD.**, Suwon-si (KR)

(57) **CLAIM**

The ornamental design for a television stand, as shown and
described.

(**) Term: **15 Years**

DESCRIPTION

(21) Appl. No.: **29/569,777**

(22) Filed: **Jun. 30, 2016**

(30) **Foreign Application Priority Data**

Jan. 8, 2016 (KR) 30-2016-0000828

(51) **LOC (10) Cl.** **14-03**

(52) **U.S. Cl.**
USPC **D14/239**

(58) **Field of Classification Search**

USPC D14/125-134, 239, 371, 136, 374-377,
D14/440, 450, 448, 336, 342, 159;
312/7.2; 348/836, 838, 180, 184, 325,
348/739; 248/917-924, 465; 345/104,
345/133, 156, 168, 87, 173; D21/329,
D21/515, 577, 622, 333, 433, 448, 452,
D21/450, 331, 505; D10/15, 26;

(Continued)

(56) **References Cited**

U.S. PATENT DOCUMENTS

D700,170 S * 2/2014 Choi D14/239
D705,200 S * 5/2014 Choi D14/239

(Continued)

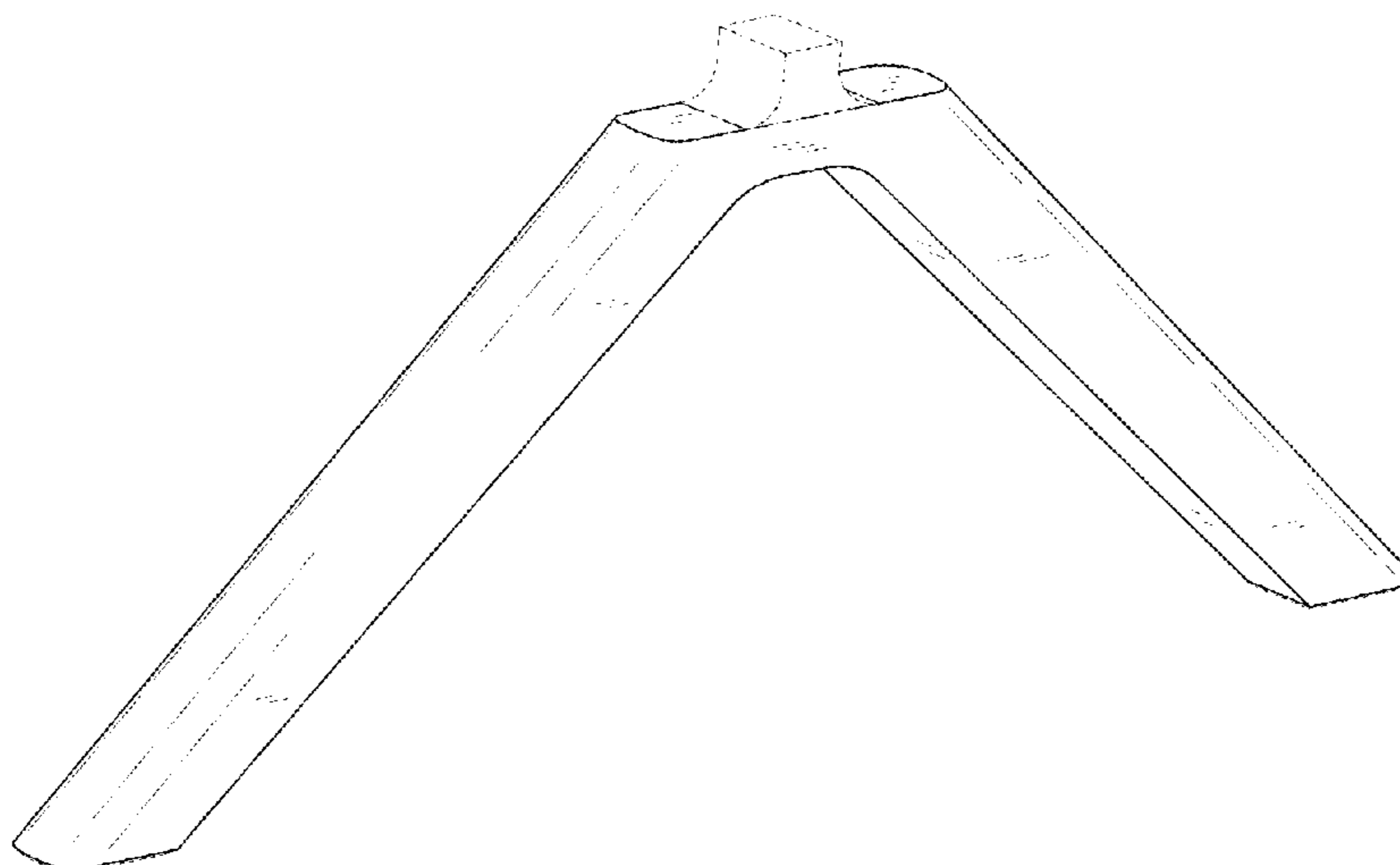
FIG. 1 is a front perspective view of a television stand
showing our new design;
FIG. 2 is a front view thereof;
FIG. 3 is a rear view thereof;
FIG. 4 is a left-side view thereof;
FIG. 5 is a right-side view thereof;
FIG. 6 is a top view thereof;
FIG. 7 is a bottom view thereof;
FIG. 8 is a rear perspective view thereof;
FIG. 9 is an enlarged front view of the portion 2 encircled
in FIG. 2;
FIG. 10 is an enlarged rear view of the portion 3 encircled
in FIG. 3;
FIG. 11 is a front perspective view thereof, showing an
example television receiver in dashed broken lines for
environmental purposes; and,
FIG. 12 is an enlarged front perspective view of the portion
12 encircled in FIG. 11.

The dashed broken lines in the drawings illustrate example
environment and portions of the television stand that form
no part of the claimed design.

The dot-dash broken lines in the drawings represent a
boundary line that forms no part of the claimed design.

The dot-dot-dash broken lines in the drawings encircle
portions of the claimed design that are illustrated in enlarge-
ments and form no part of the claimed design.

1 Claim, 10 Drawing Sheets



(58) **Field of Classification Search**

USPC 446/484, 175, 356; D6/477, 479, 300;
D24/185; D34/14

CPC ... G06F 1/1601; G06F 1/1643; H05K 5/0004;
H05K 5/0017; H05K 5/02; H05K 5/0217

See application file for complete search history.

(56) **References Cited**

U.S. PATENT DOCUMENTS

D718,751 S *	12/2014	Ann	D14/239
D728,527 S *	5/2015	Kim	D14/217
D746,825 S *	1/2016	Kang	D14/451
D747,693 S *	1/2016	Won	D14/126
D757,694 S *	5/2016	Itai	D14/239

FOREIGN PATENT DOCUMENTS

CN	303159763 S	4/2015
CN	303169321 S	4/2015
CN	303181274 S	4/2015

* cited by examiner

FIG. 1

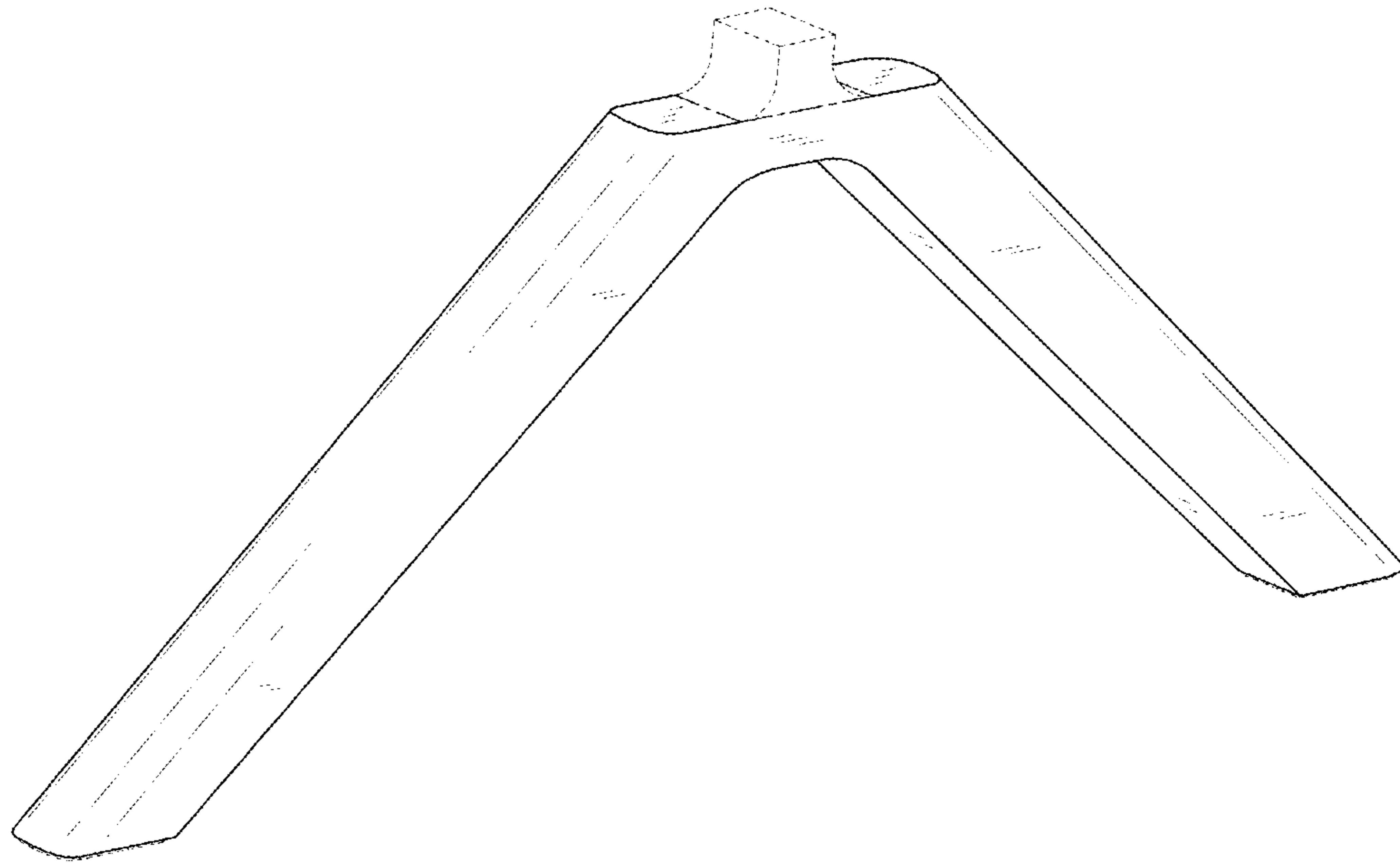


FIG. 2

FIG. 3

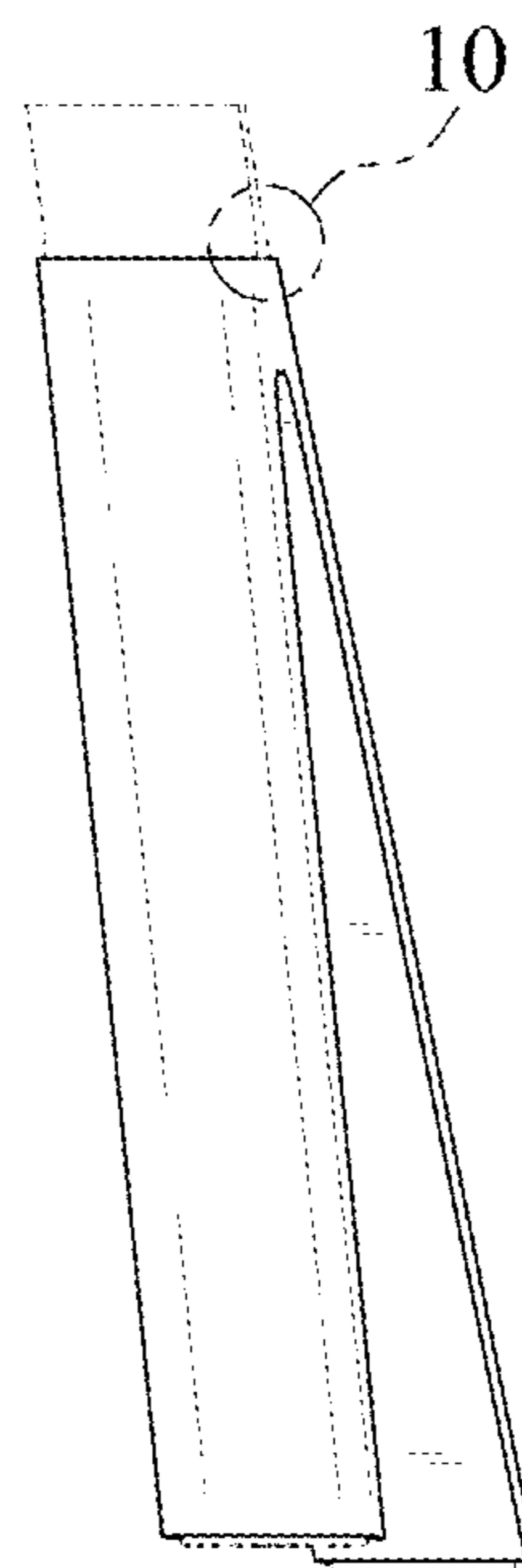
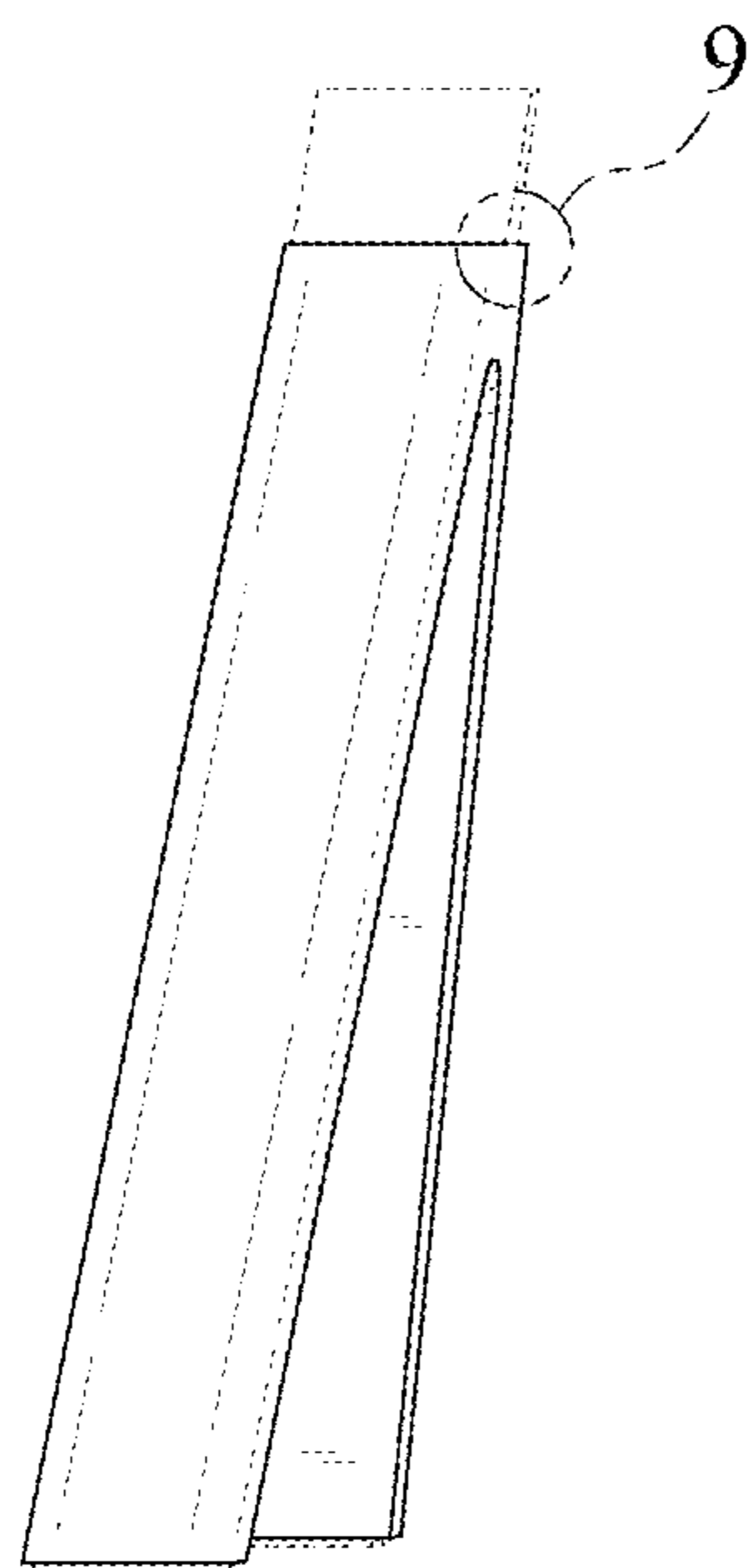


FIG. 4

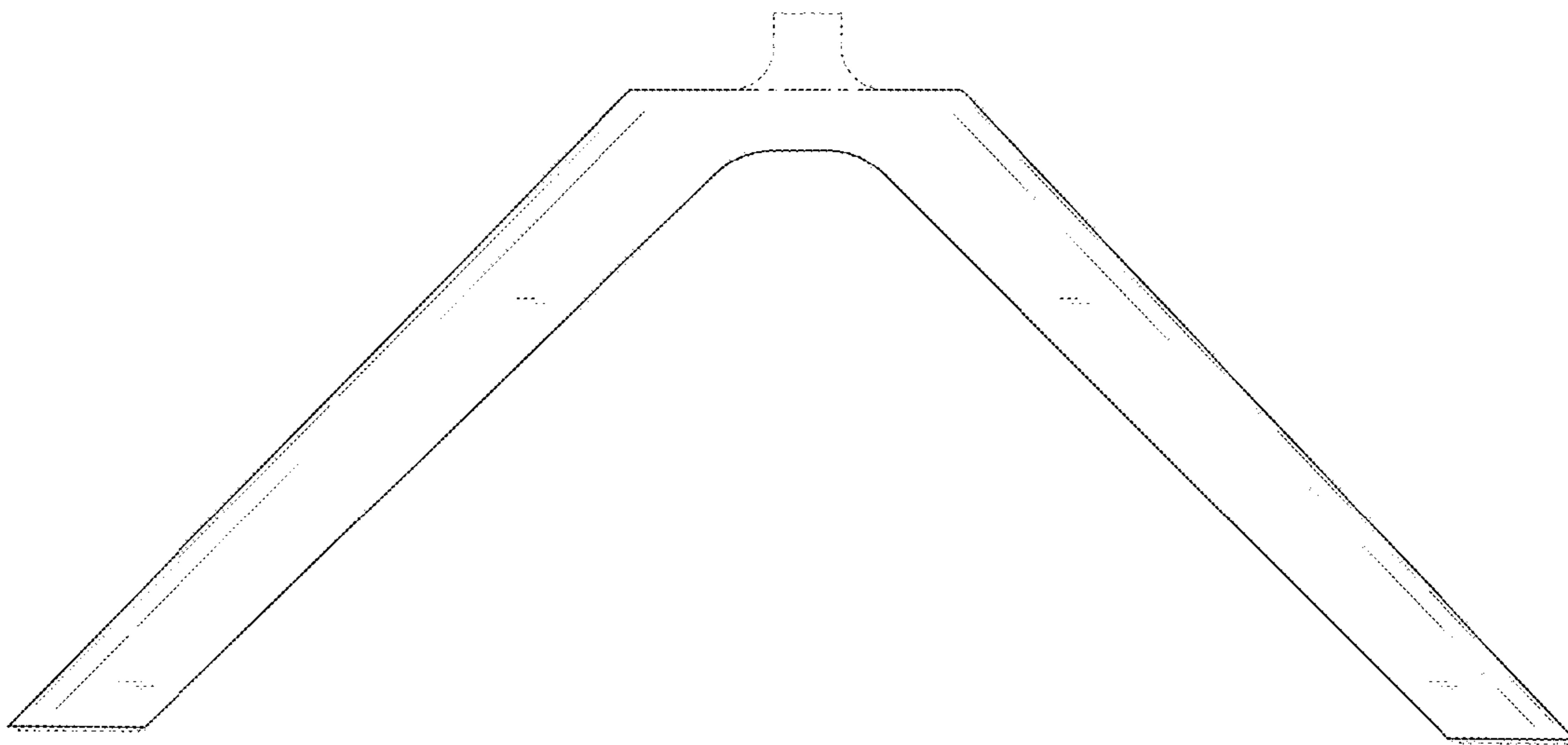


FIG. 5

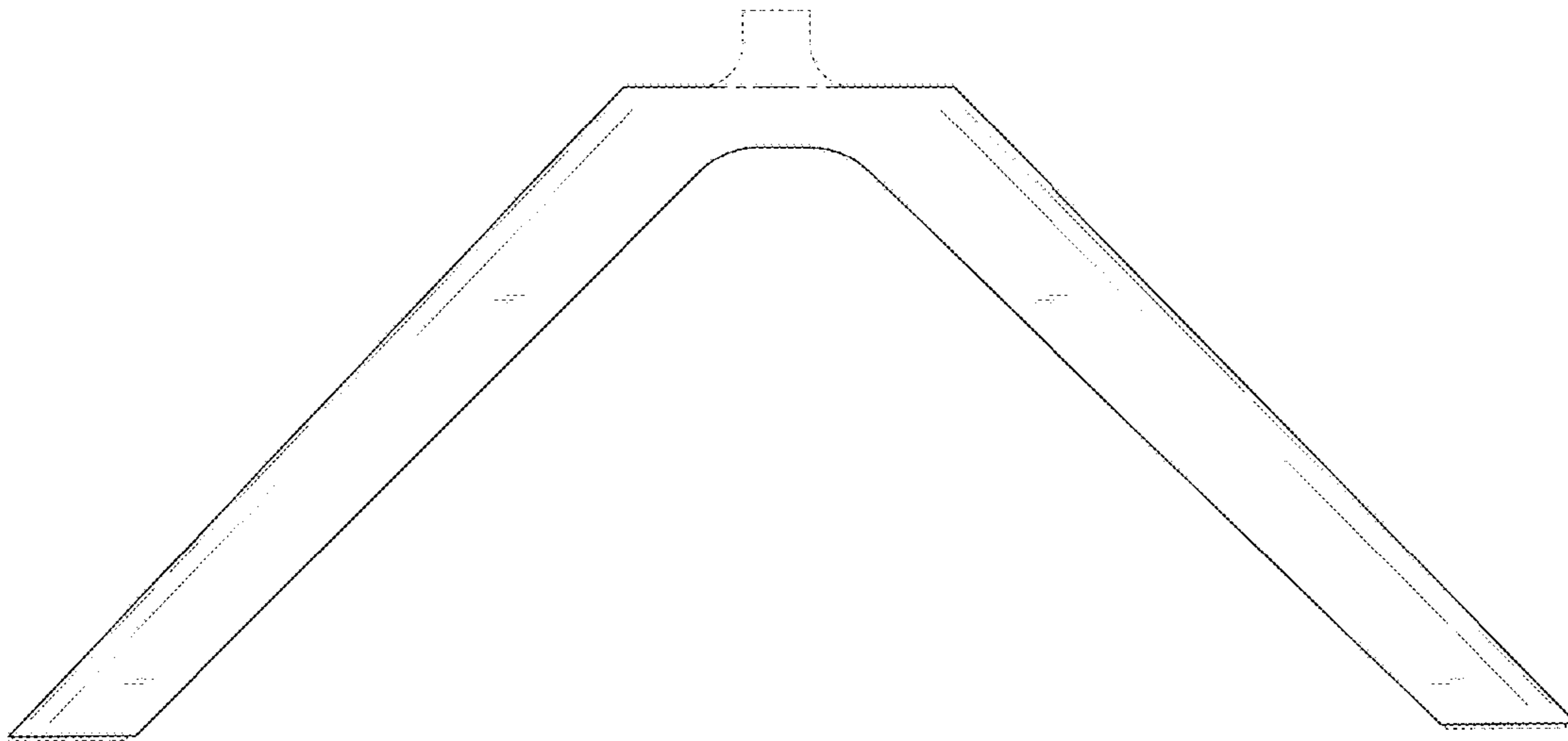


FIG. 6

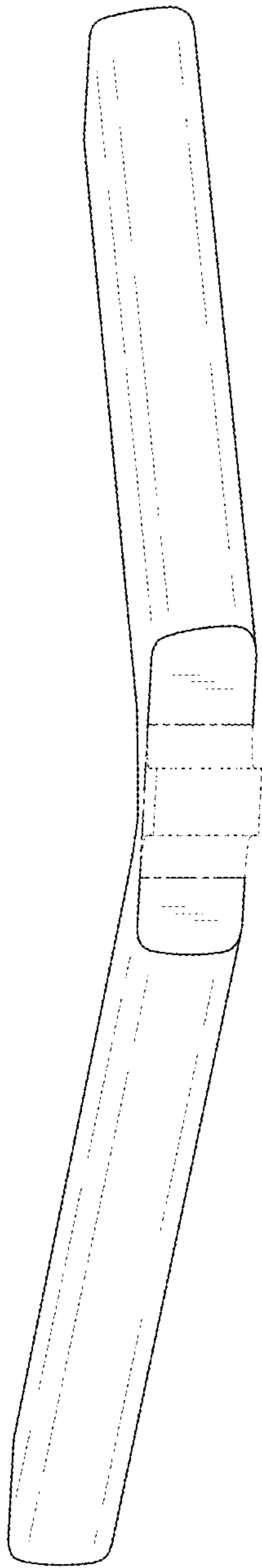


FIG. 7

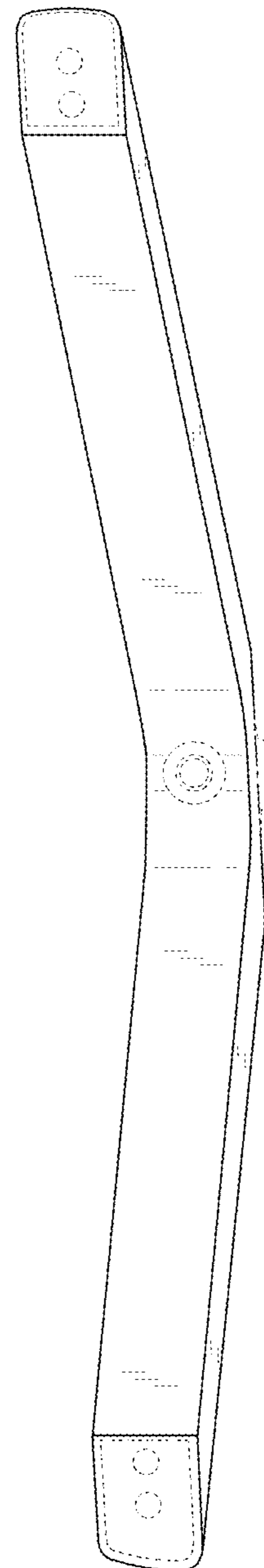


FIG. 8

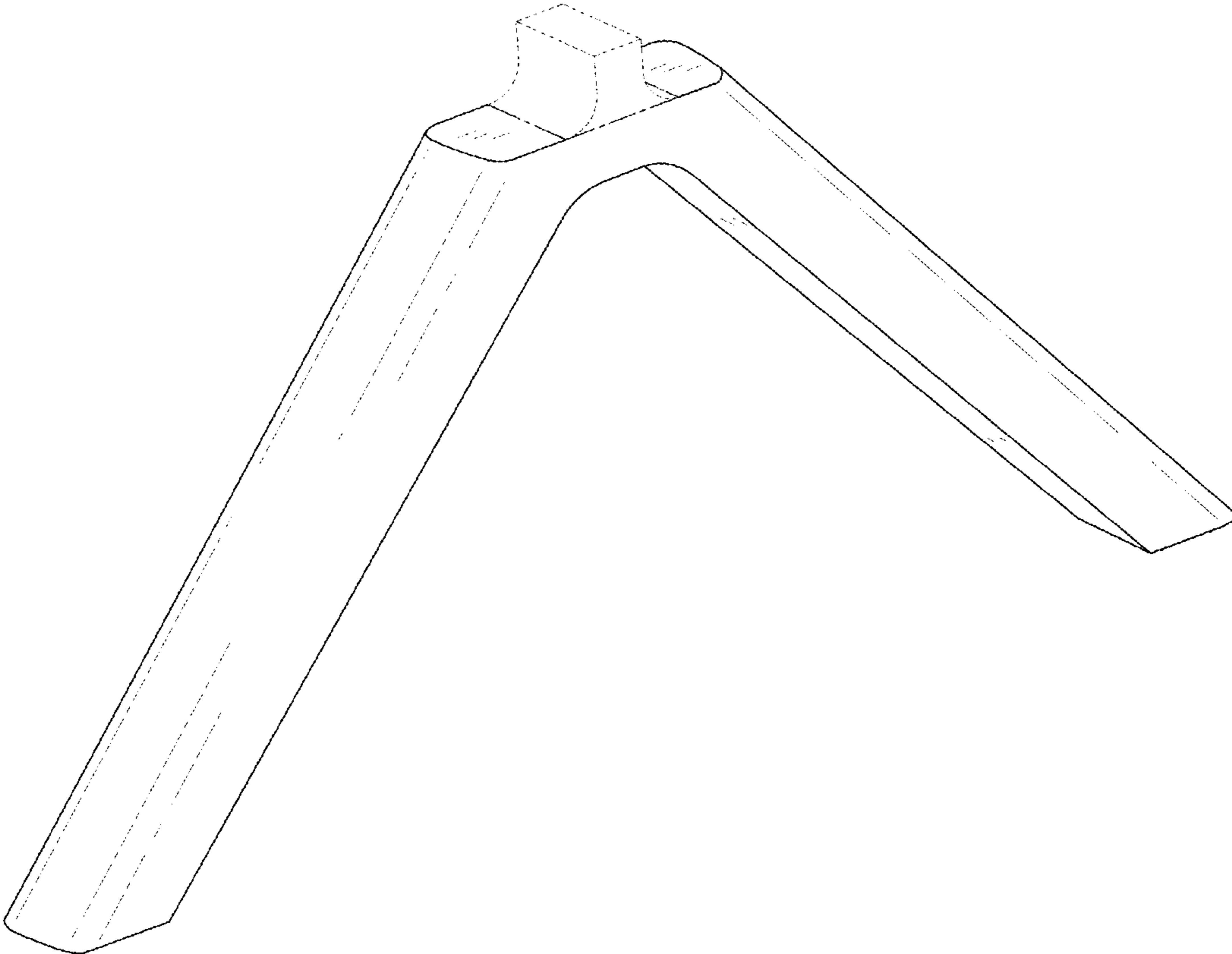


FIG. 9

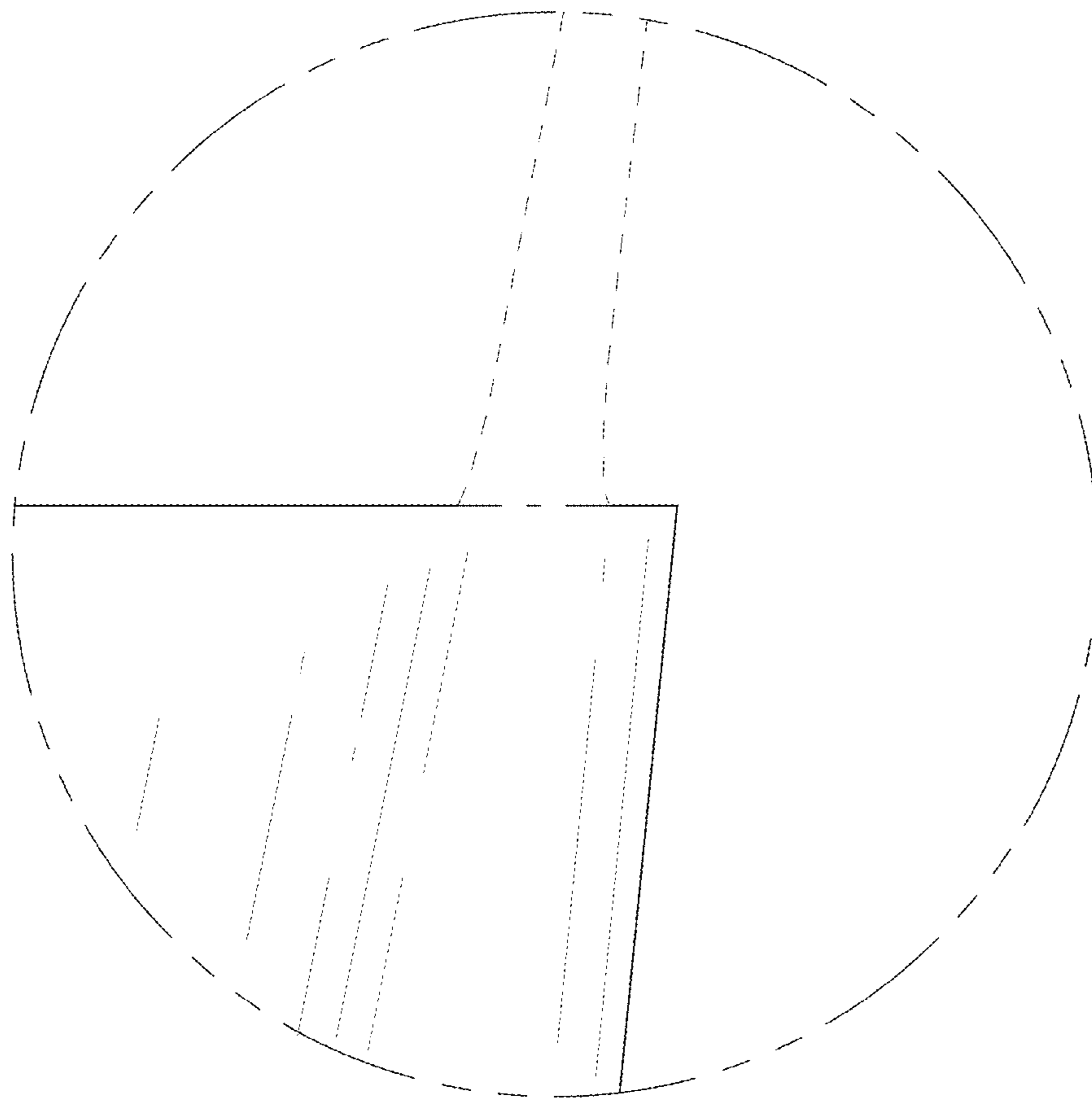


FIG. 10

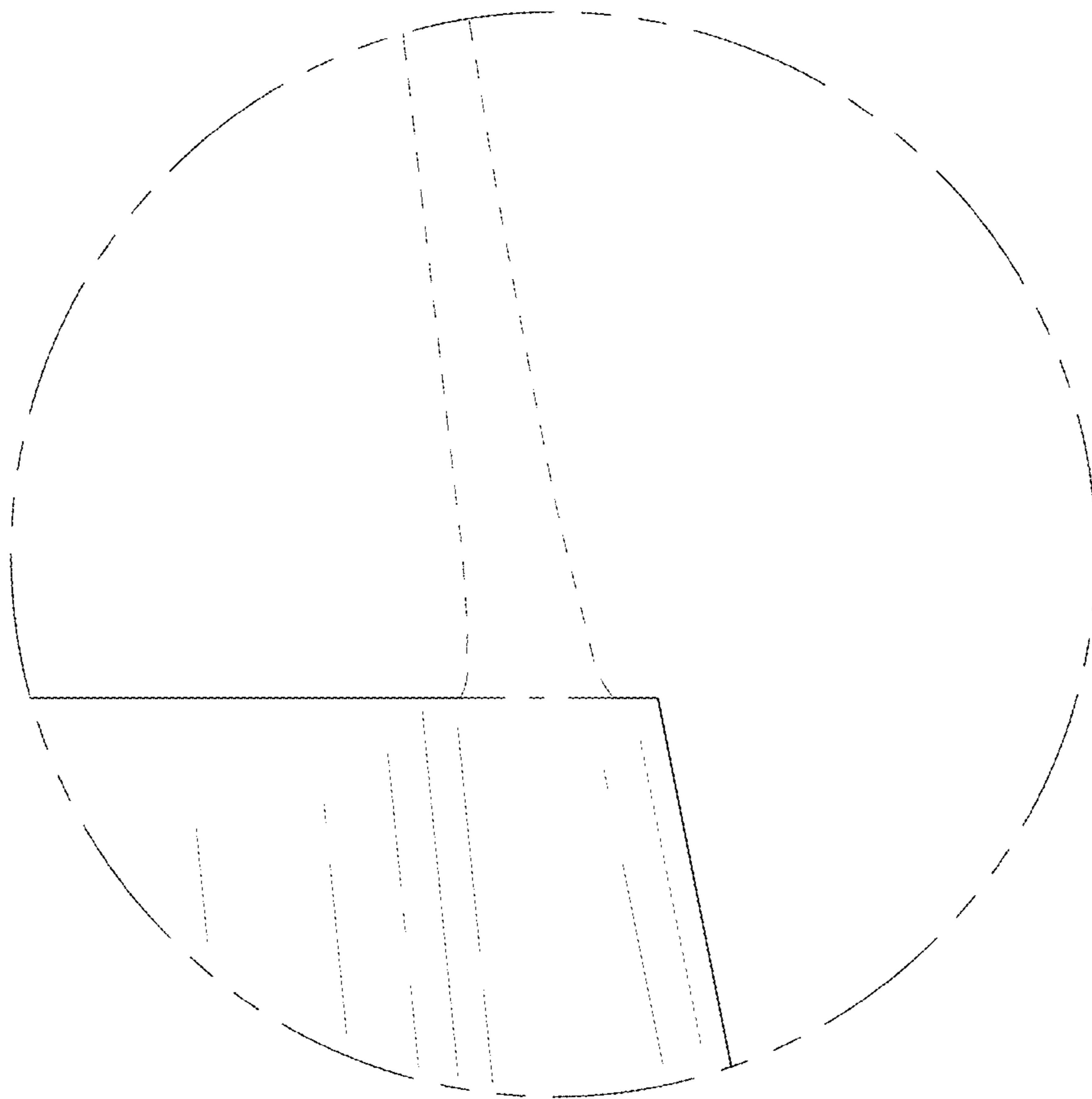


FIG. 11

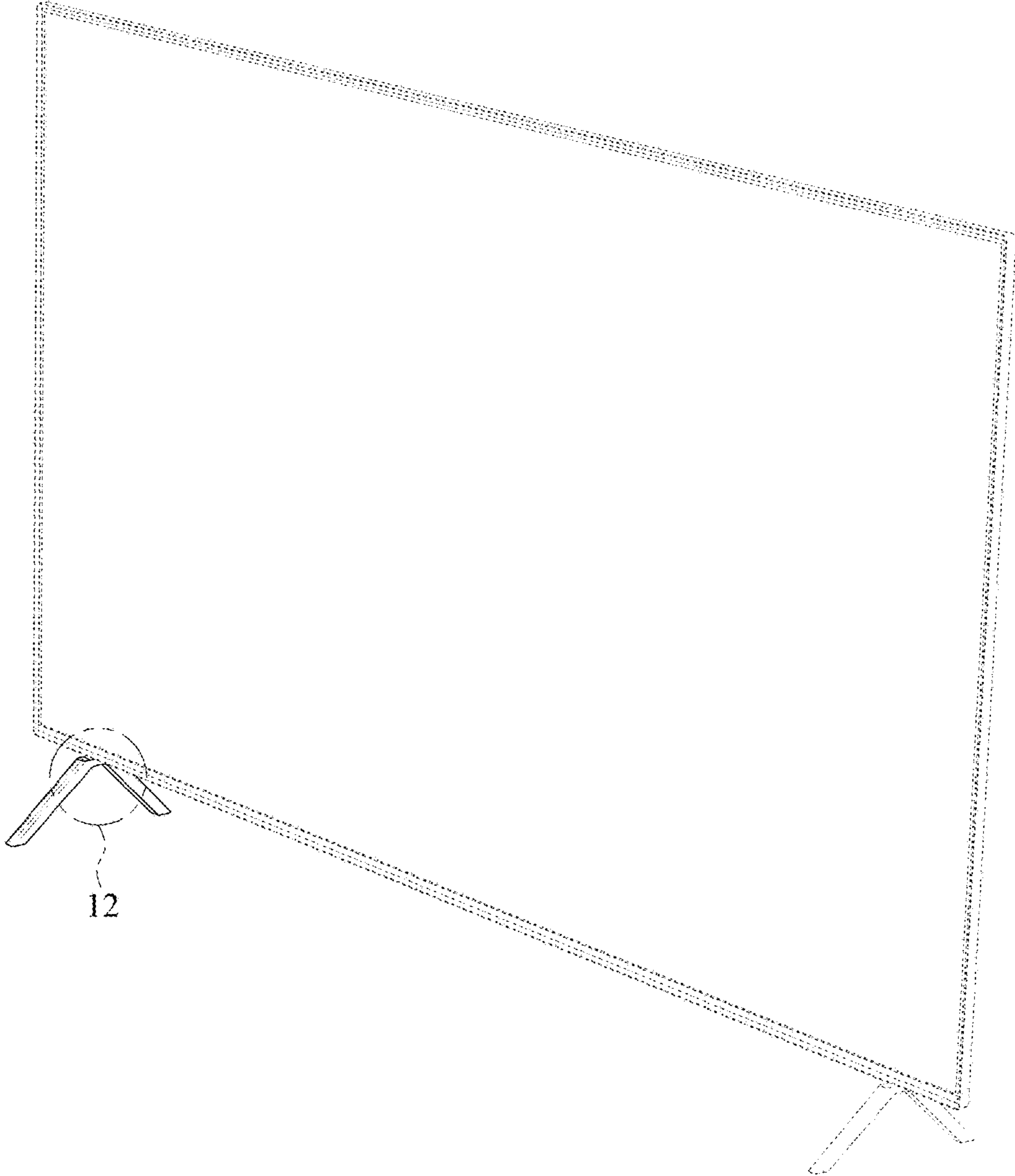


FIG. 12

