



US00D794619S

(12) **United States Design Patent**
Kim et al.

(10) **Patent No.:** **US D794,619 S**

(45) **Date of Patent:** **** Aug. 15, 2017**

(54) **STAND FOR TELEVISION**

CPC ... G06F 1/1601; G06F 1/1643; H05K 5/0004;
H05K 5/0017; H05K 5/02; H05K 5/0217
See application file for complete search history.

(71) Applicant: **Samsung Electronics Co., Ltd.**,
Suwon-si (KR)

(72) Inventors: **Jeasung Kim**, Hwaseong-si (KR);
Heesun Youk, Seoul (KR); **Myeongha Jung**,
Uiwang-si (KR); **Sangyoung Lee**, Anyang-si (KR);
Joonyoung Lee, Seoul (KR); **Hyungsun Lee**,
Yongin-si (KR); **Heeseok Jeong**, Suwon-si (KR);
Kyuhyun Cho, Suwon-si (KR); **Shiyun Cho**,
Anyang-si (KR); **Younho Choi**, Seoul (KR)

(73) Assignee: **Samsung Electronics Co., Ltd.**,
Suwon-si (KR)

(**) Term: **15 Years**

(21) Appl. No.: **29/565,130**

(22) Filed: **May 18, 2016**

(30) **Foreign Application Priority Data**

Nov. 18, 2015 (KR) 30-2015-0057996

(51) **LOC (10) Cl.** **14-03**

(52) **U.S. Cl.**
USPC **D14/239**

(58) **Field of Classification Search**
USPC D14/125-134, 239, 371, 136, 374-377,
D14/440, 450, 448, 336, 342, 159;
312/7.2; 348/836, 838, 180, 184, 325,
348/739; 248/917-924, 465; 345/104,
345/133, 156, 168, 87, 173; D21/329,
D21/515, 577, 622, 333, 433, 448, 452,
D21/450, 331, 505; D10/15, 26;
446/484, 175, 356; D6/477, 479, 300;
D24/185; D34/14

(56) **References Cited**

U.S. PATENT DOCUMENTS

D619,569 S *	7/2010	Honchell	D14/239
D625,302 S *	10/2010	Kasuga	D14/239
D653,245 S *	1/2012	Buzzard	D14/239
D723,528 S *	3/2015	Choi	D14/239
D759,002 S *	6/2016	Won	D14/239

* cited by examiner

Primary Examiner — Randall Gholson

(74) *Attorney, Agent, or Firm* — NSIP Law

(57) **CLAIM**

We claim the ornamental design for a stand for television, as shown and described.

DESCRIPTION

FIG. 1 is a front perspective view of a stand for television showing our new design;
FIG. 2 is a front view thereof;
FIG. 3 is a rear view thereof;
FIG. 4 is a left-side view thereof;
FIG. 5 is a right-side view thereof;
FIG. 6 is a top view thereof;
FIG. 7 is a bottom view thereof; and,
FIG. 8 is an enlarged view of the encircled portion in FIG. 7.

The broken lines in the figures show portions of the stand for television which form no part of the claimed design.
The dot-dash broken lines encircling portions of the claimed design that are illustrated in enlargements form no part of the claimed design.

1 Claim, 8 Drawing Sheets

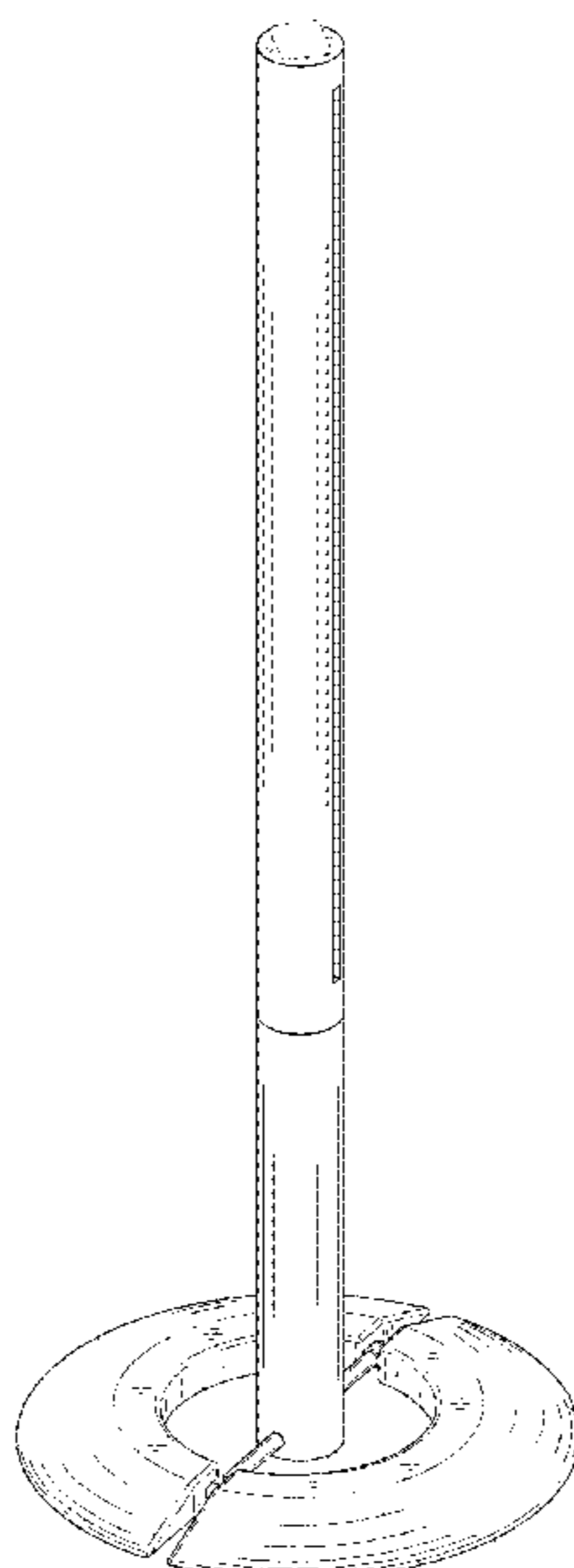


FIG. 1

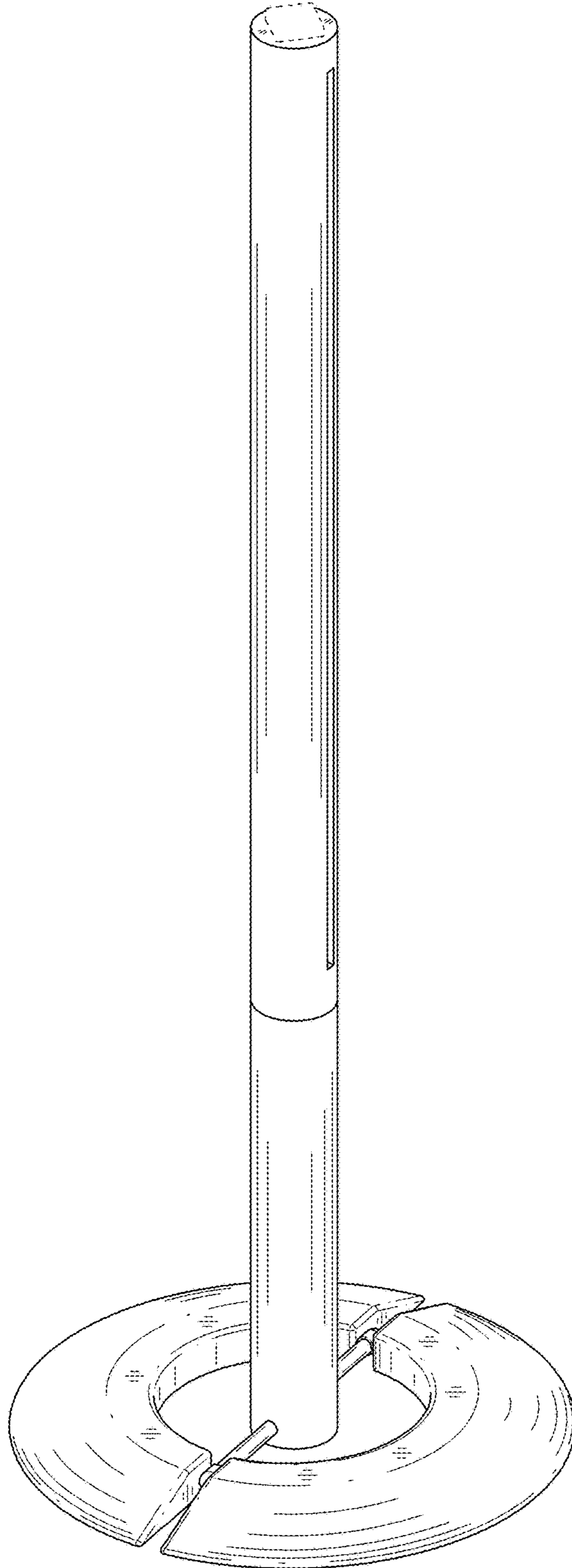


FIG. 2

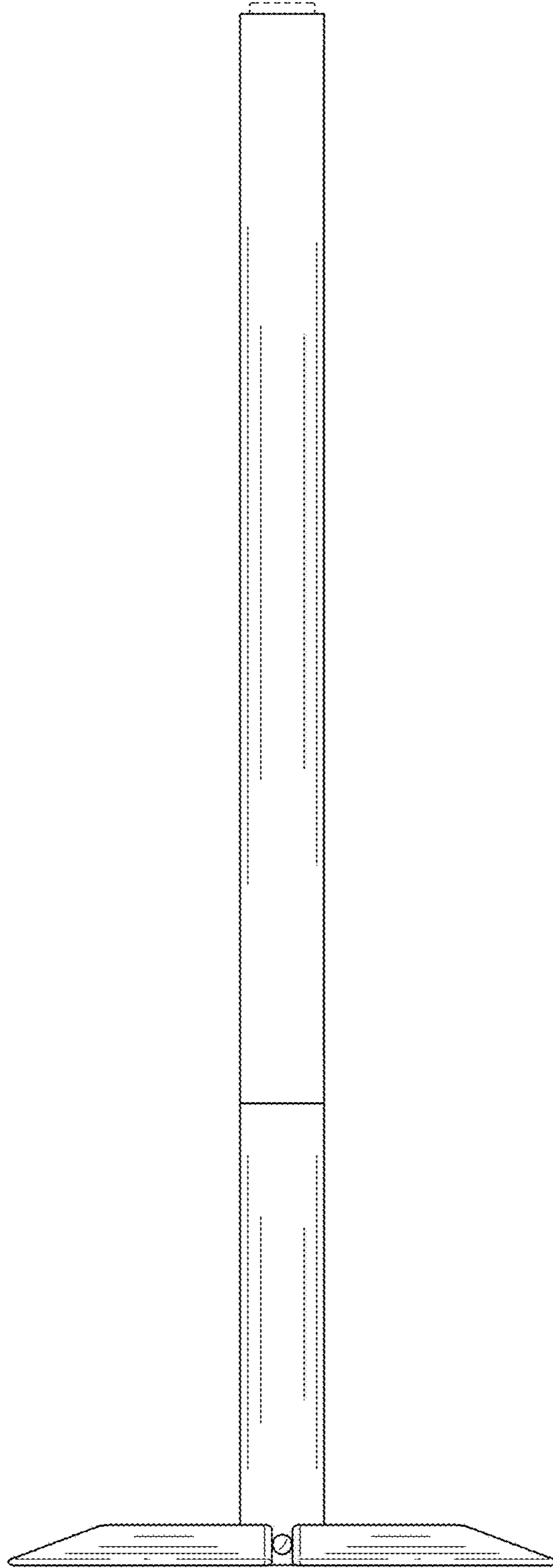


FIG. 3

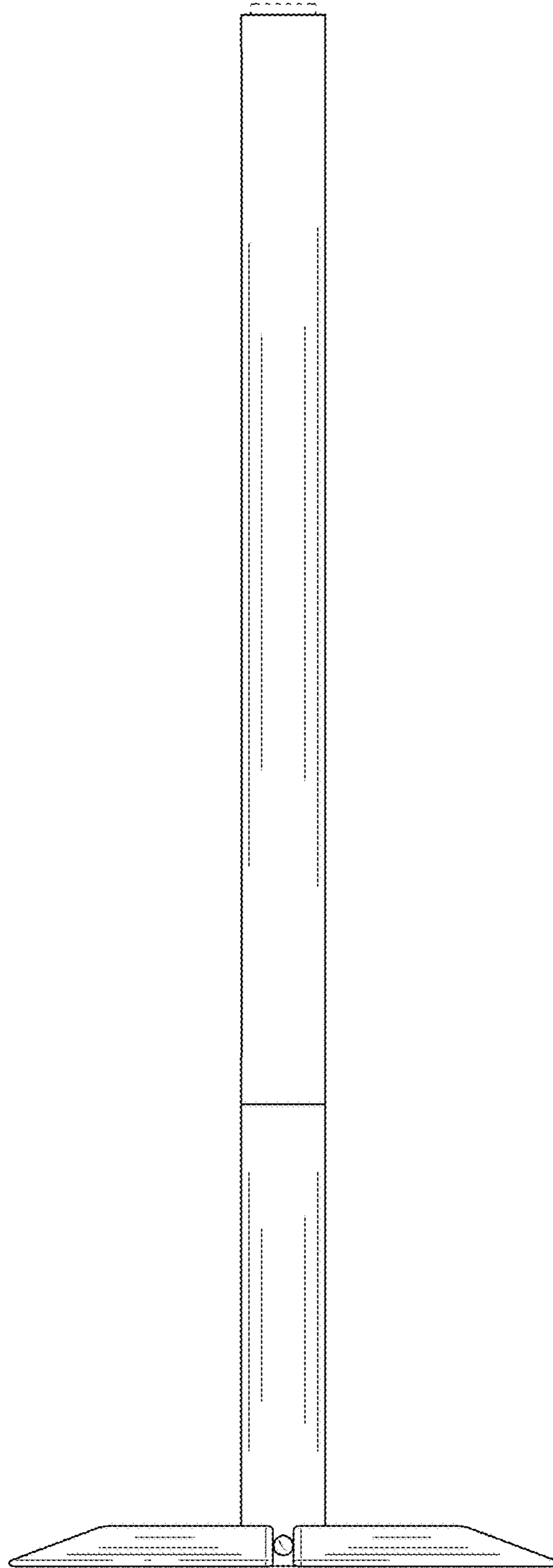


FIG. 4

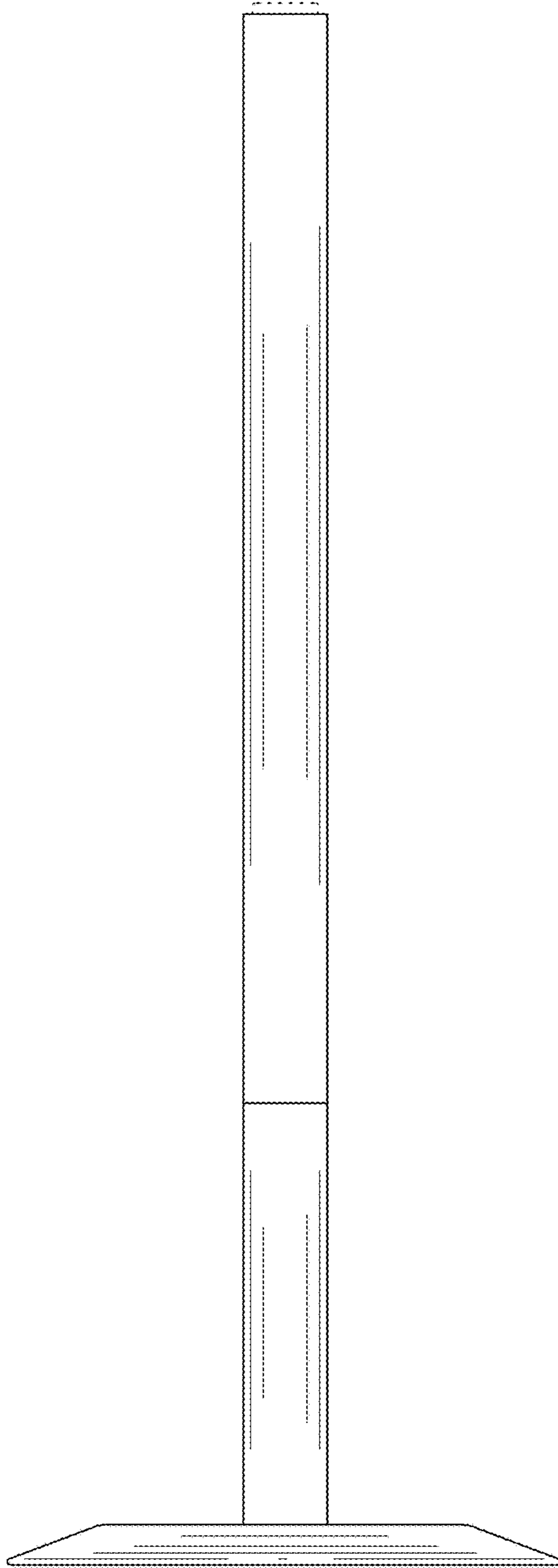


FIG. 5

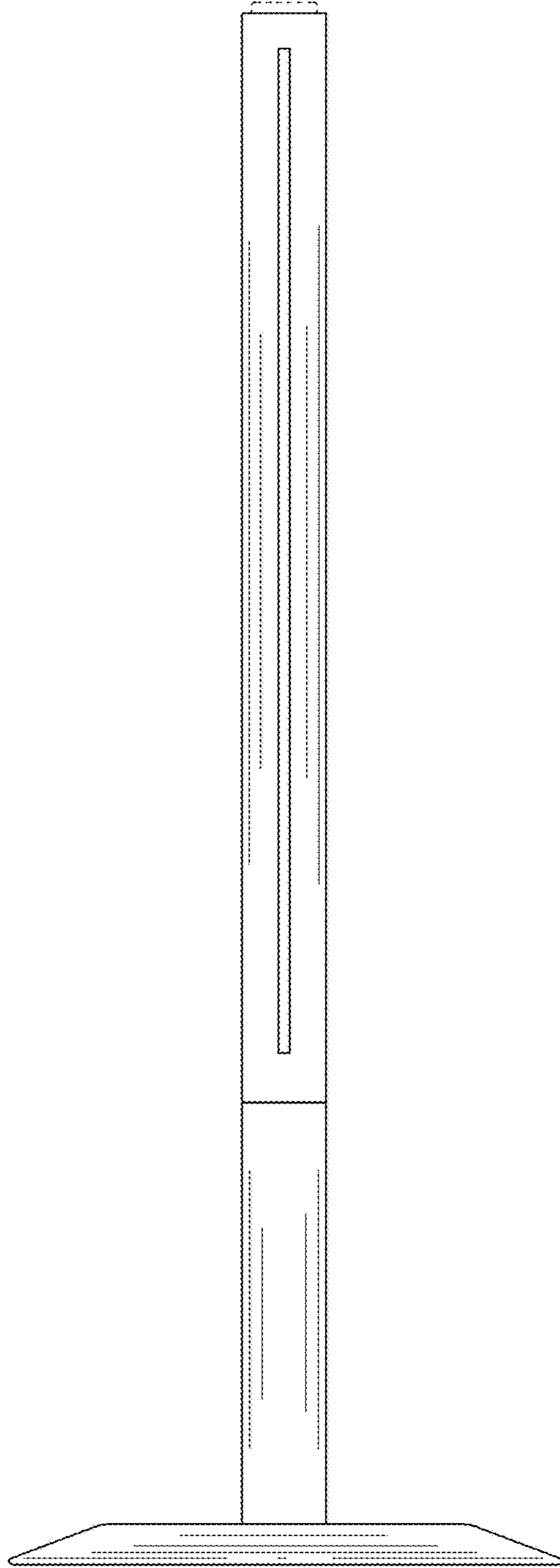


FIG. 6

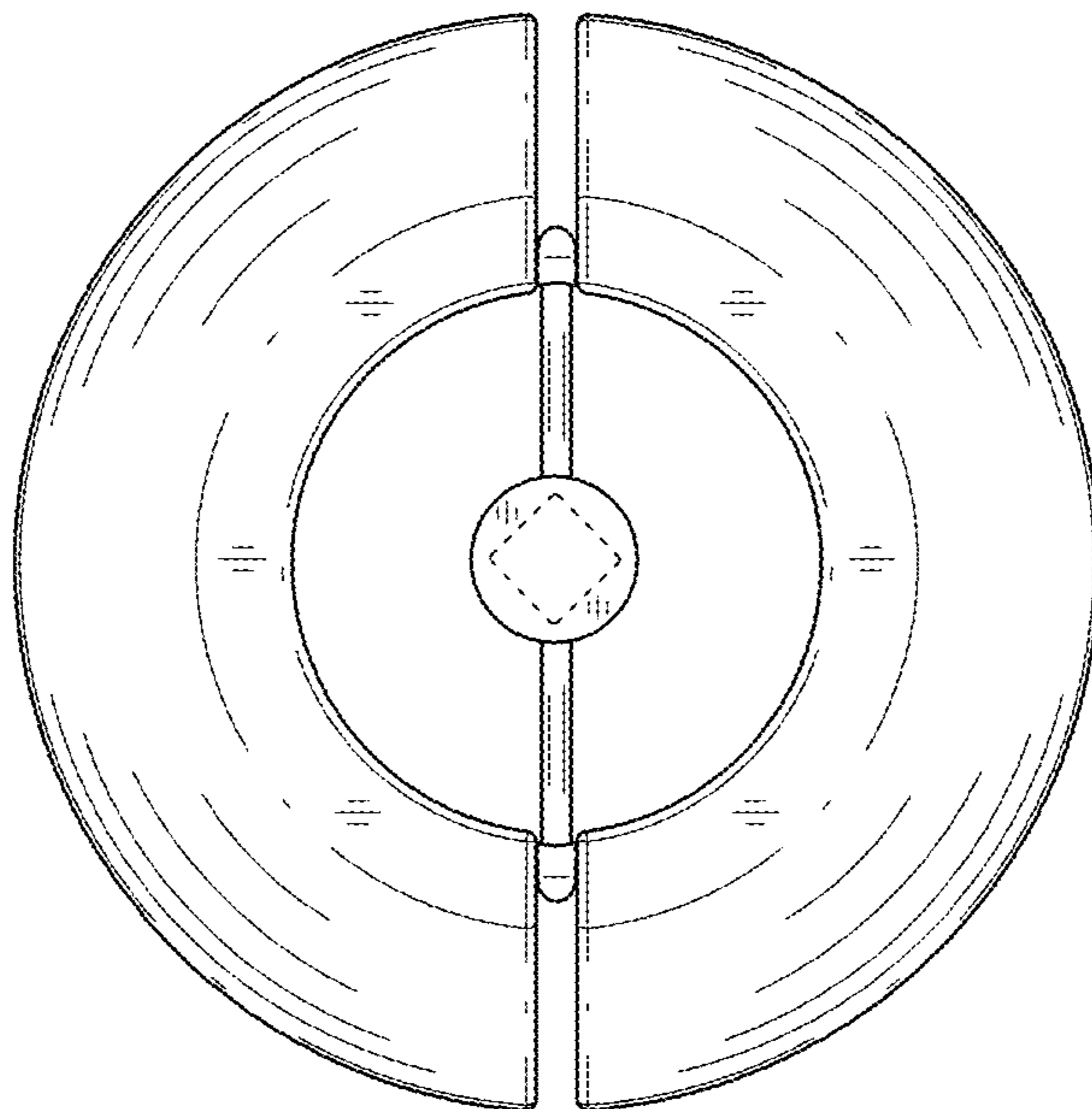


FIG. 7

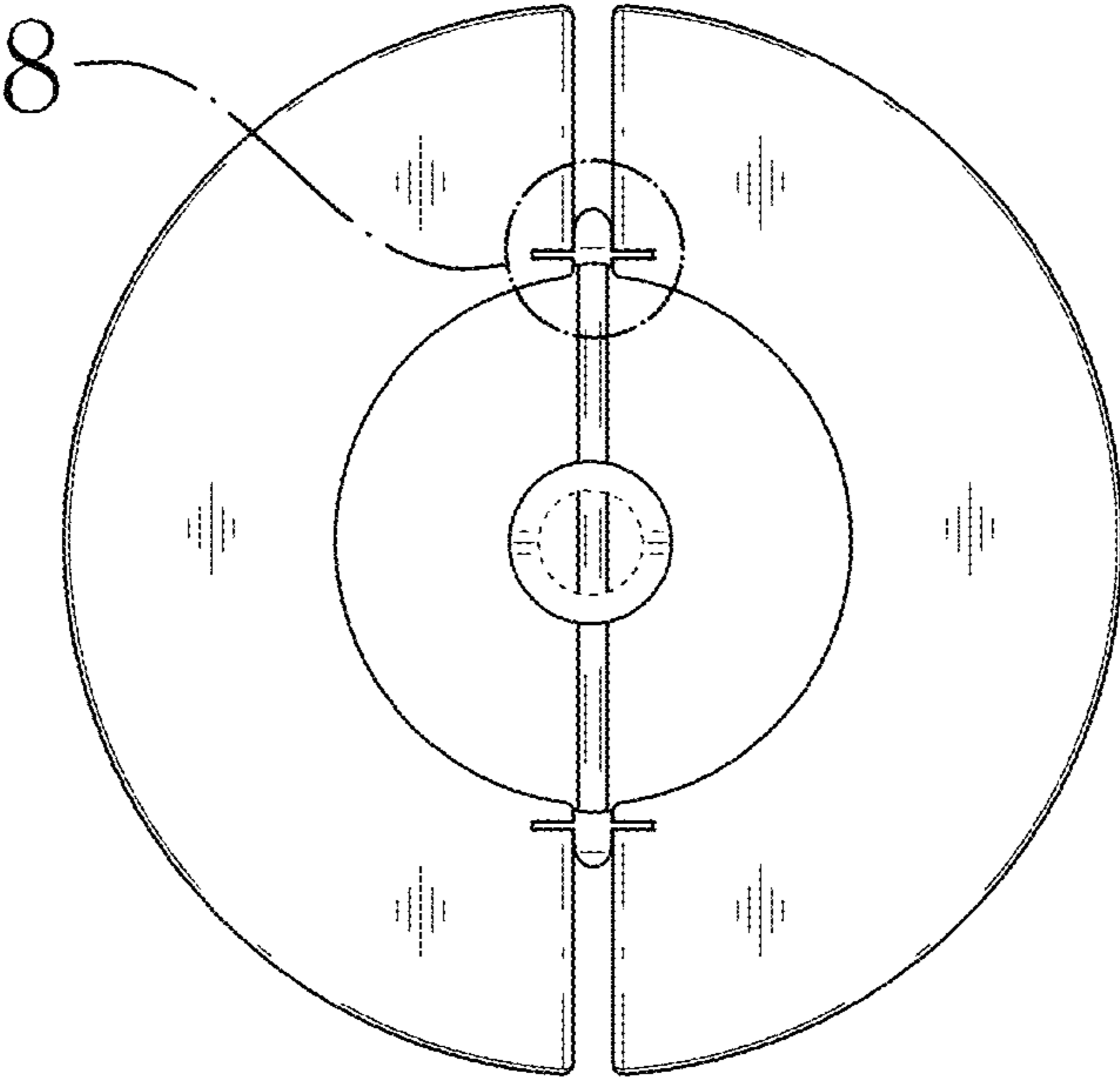


FIG. 8

