



US00D794618S

(12) **United States Design Patent** (10) **Patent No.:** **US D794,618 S**
Wright et al. (45) **Date of Patent:** **** Aug. 15, 2017**

(54) **SLEEVE FOR ELECTRONIC DEVICE**

6,305,538 B1 * 10/2001 Jackson A45C 11/24
206/316.1

(71) Applicant: **CATALYST LIFESTYLE LIMITED,**
North Point (HK)

D475,696 S * 6/2003 Hussaini D14/238.1
6,817,470 B1 * 11/2004 Goldberg H01H 9/0242
150/165

(72) Inventors: **Joshua Wright,** Hong Kong (CN);
June Lai, Hong Kong (CN)

D531,618 S * 11/2006 Kennemer D14/238.1
7,347,325 B2 * 3/2008 O'Neill A45C 1/06
206/38

(73) Assignee: **CATALYST LIFESTYLE LIMITED,**
North Point, Hong Kong (CN)

D592,400 S 5/2009 Nelson
D594,659 S 6/2009 Lown et al.
D595,952 S 7/2009 Nussberger
D596,393 S 7/2009 Leung et al.
D599,546 S 9/2009 Lown et al.

(**) Term: **15 Years**

D600,913 S 9/2009 Kalbach
7,584,841 B2 9/2009 Chan et al.

(21) Appl. No.: **29/595,534**

D601,366 S * 10/2009 Barabas D14/238.1

(Continued)

(22) Filed: **Feb. 28, 2017**

Primary Examiner — Prabhakar Deshmukh

(51) **LOC (10) Cl.** **14-01**

(74) *Attorney, Agent, or Firm* — Dinsmore & Shohl LLP

(52) **U.S. Cl.**

(57) **CLAIM**

USPC **D14/238.1**; D14/496; D14/203.3

The ornamental design for a sleeve for electronic device, as shown and described.

(58) **Field of Classification Search**

DESCRIPTION

USPC D14/432, 434, 447, 357, 299, 496,
D14/203.1–203.8, 238.1; D21/324, 328,
D21/332, 333; 361/600, 679.01, 679.02,
361/679.55, 679.56; 320/114, 115;
345/156–161, 905, 901; 439/529, 534,
439/929; 248/127, 307, 309.1, 918;
348/373, 376, 825, 836
CPC H05K 5/00; H05K 5/0204; H04N 5/64;
G06F 1/1601; A45F 5/00; A45F
220/0516; A45F 2200/0508; A45F
220/0525

FIG. 1 is a front, top and right perspective view of a sleeve for electronic device showing our new design;
FIG. 2 is a front, bottom and right perspective view thereof;
FIG. 3 is a front elevational view thereof;
FIG. 4 is a rear elevational view thereof;
FIG. 5 is a left side elevational view thereof;
FIG. 6 is a right side elevational view thereof;
FIG. 7 is a top plan view thereof;
FIG. 8 is a bottom plan view thereof;
FIG. 9 is an exploded front, top and right perspective view thereof; and
FIG. 10 is an exploded front, bottom and right perspective view thereof.

See application file for complete search history.

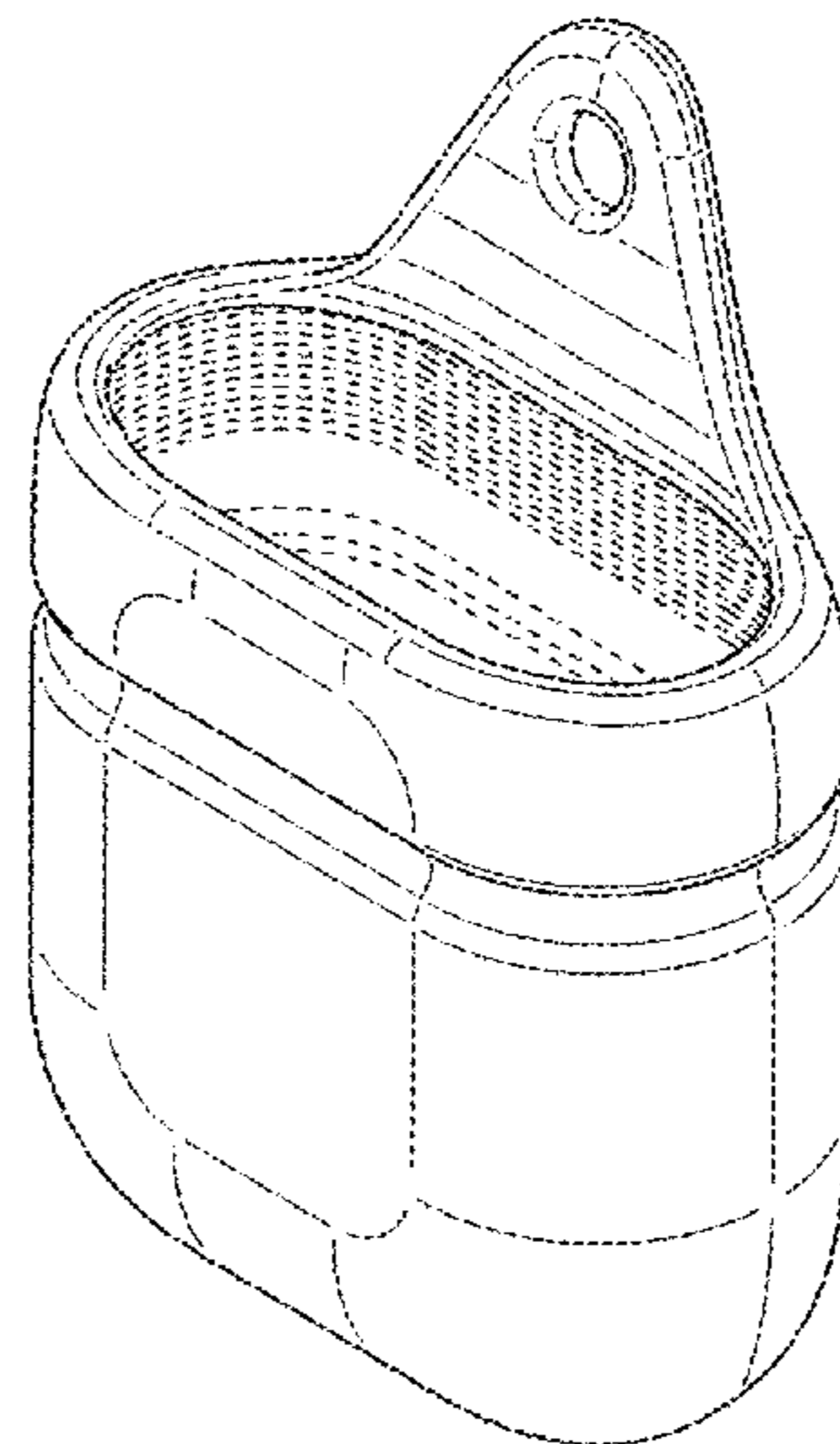
The broken lines indicate environment and form no part of the claimed design.

(56) **References Cited**

U.S. PATENT DOCUMENTS

D362,542 S 9/1995 Richards et al.
D375,197 S 11/1996 Laherty
5,740,624 A * 4/1998 Baseley A45C 11/182
40/27.5
D405,256 S 2/1999 Chacon et al.

1 Claim, 4 Drawing Sheets



(56)

References Cited

U.S. PATENT DOCUMENTS

7,855,529 B2 * 12/2010 Liu G06F 1/1632
320/108
D670,497 S * 11/2012 Phillips D3/300
8,399,764 B2 * 3/2013 Klosky H04B 1/3888
174/350
D681,613 S * 5/2013 Magness D14/238.1
D718,750 S * 12/2014 Young D14/203.7
8,961,015 B1 * 2/2015 Bihn A45C 3/001
383/105

* cited by examiner

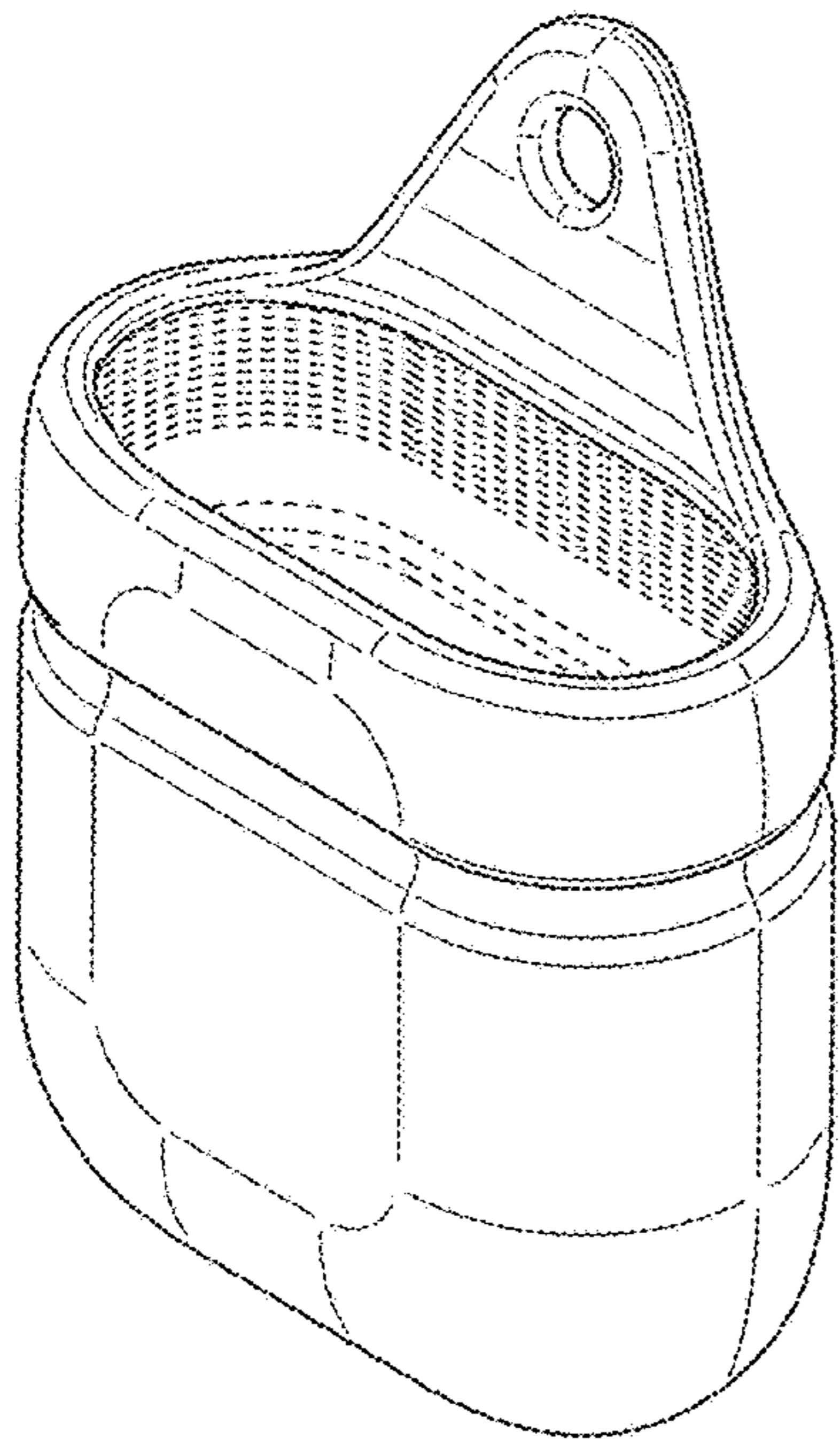


FIG. 1

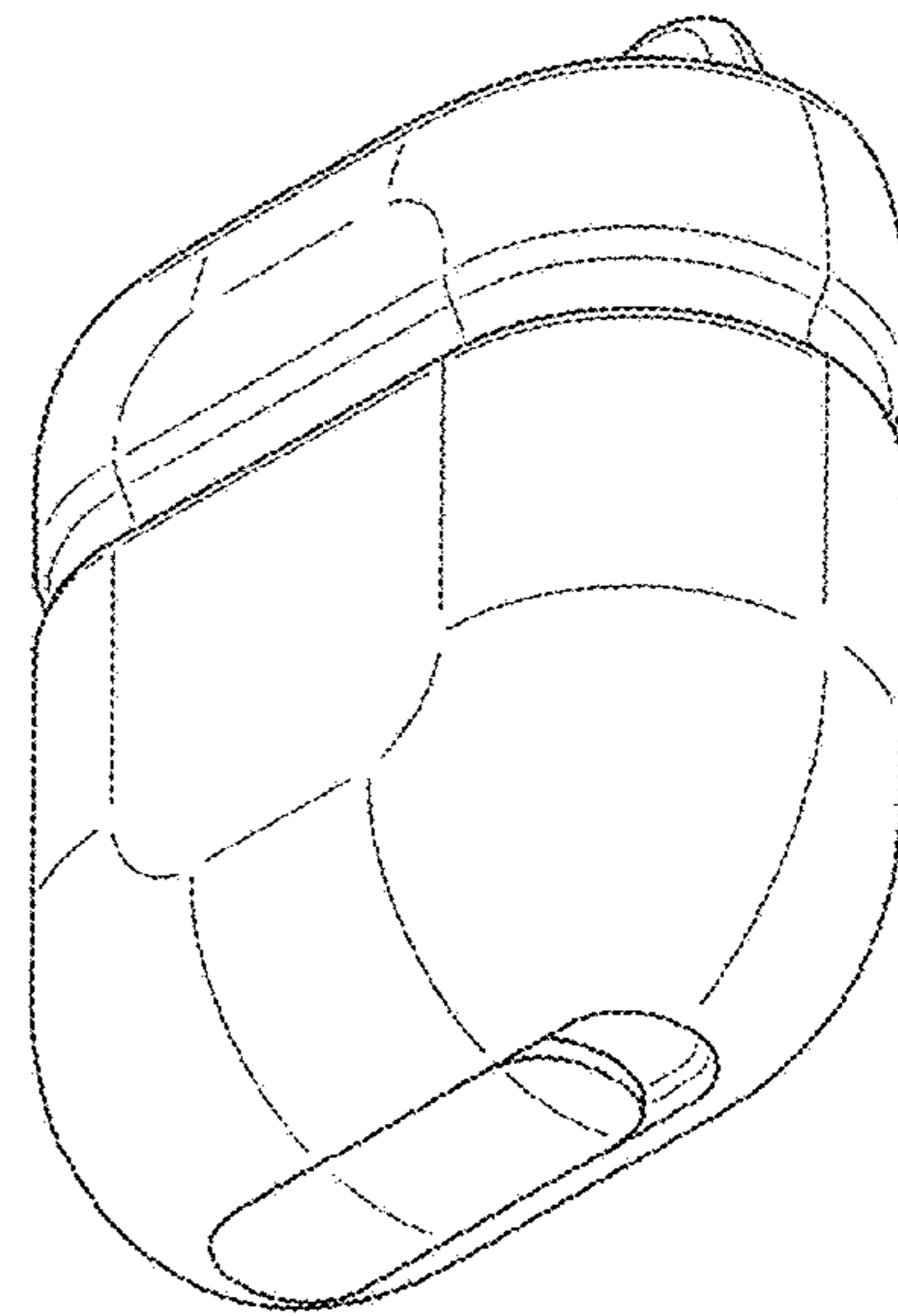


FIG. 2

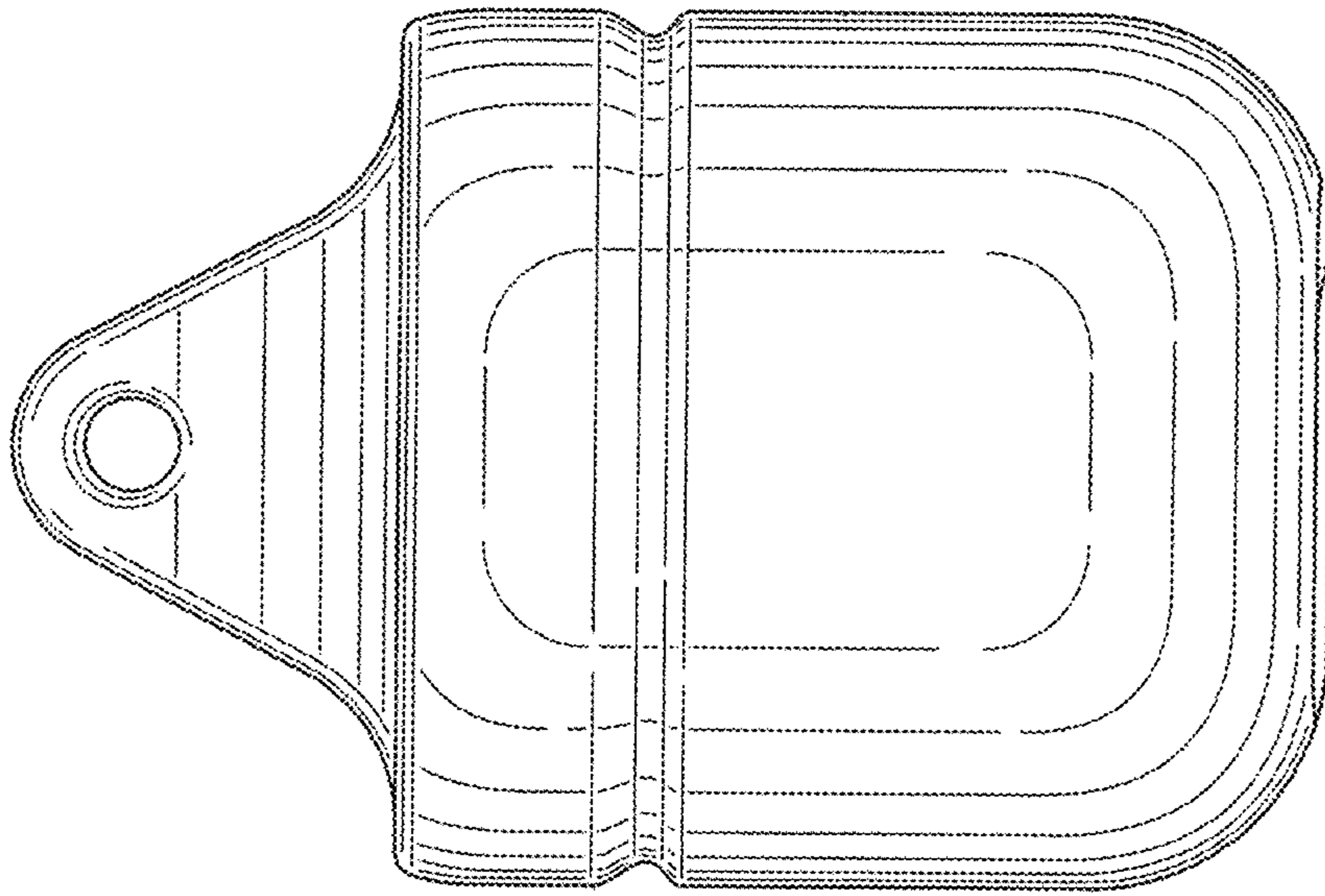


FIG. 3

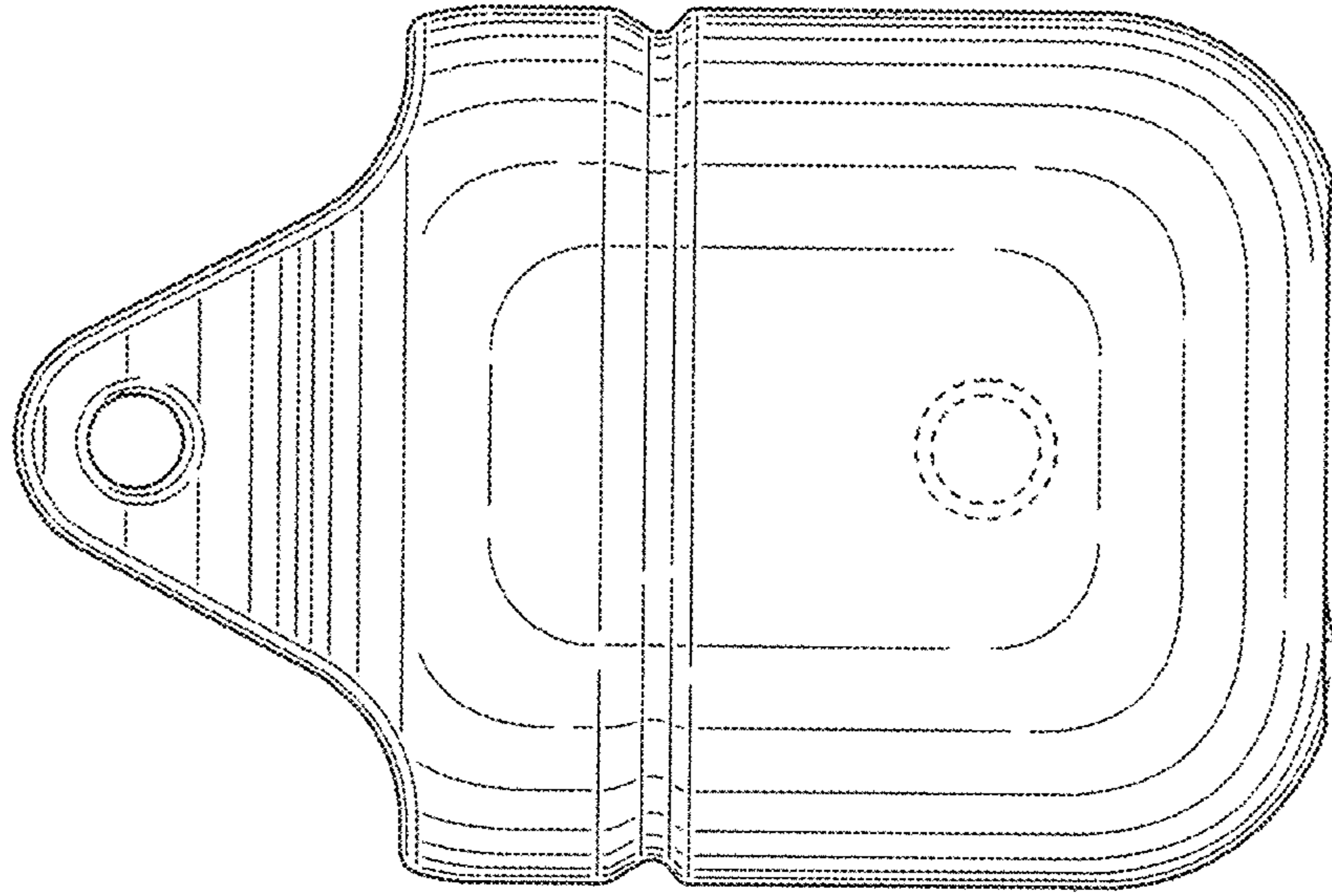


FIG. 4

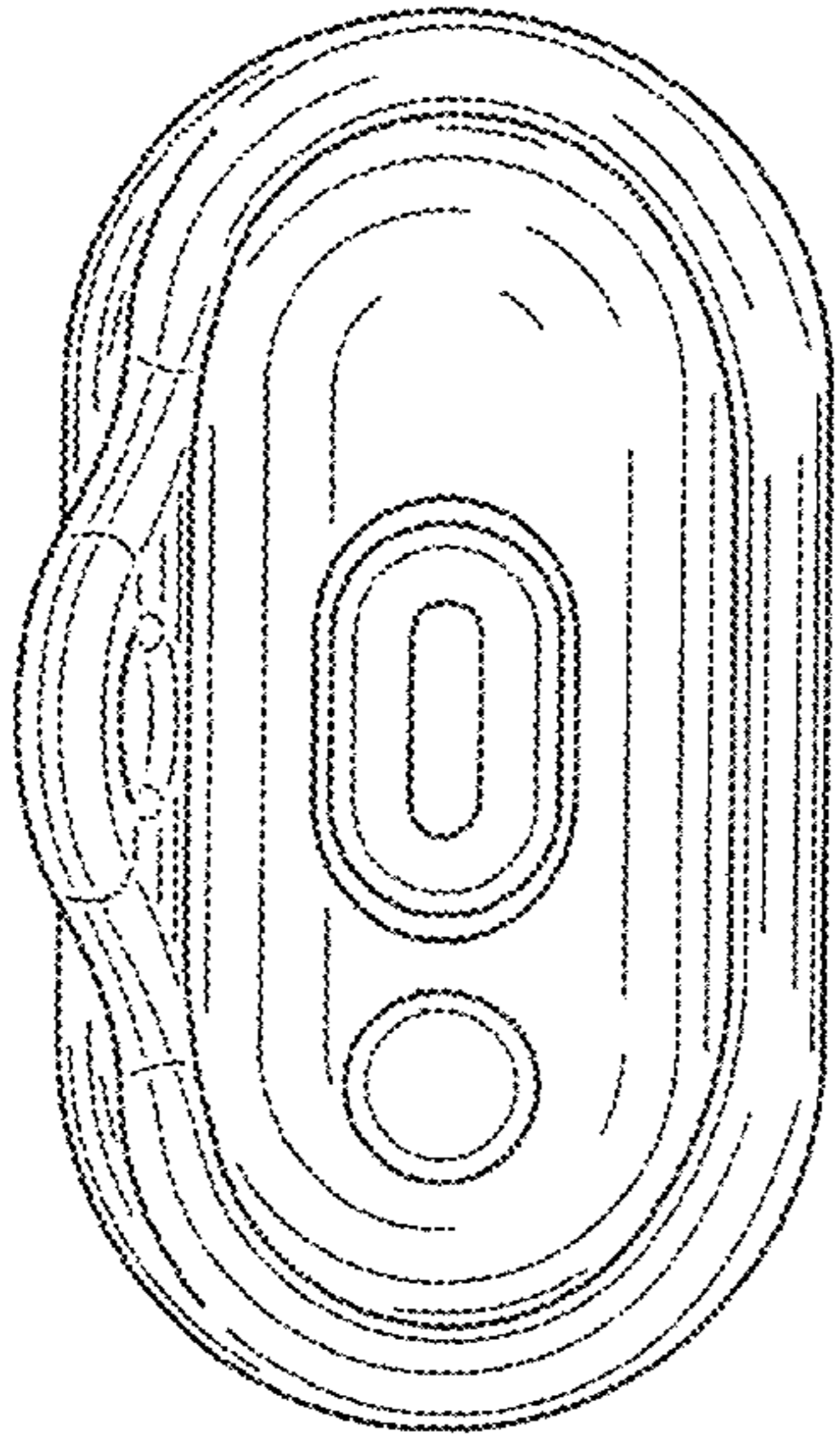


FIG. 7

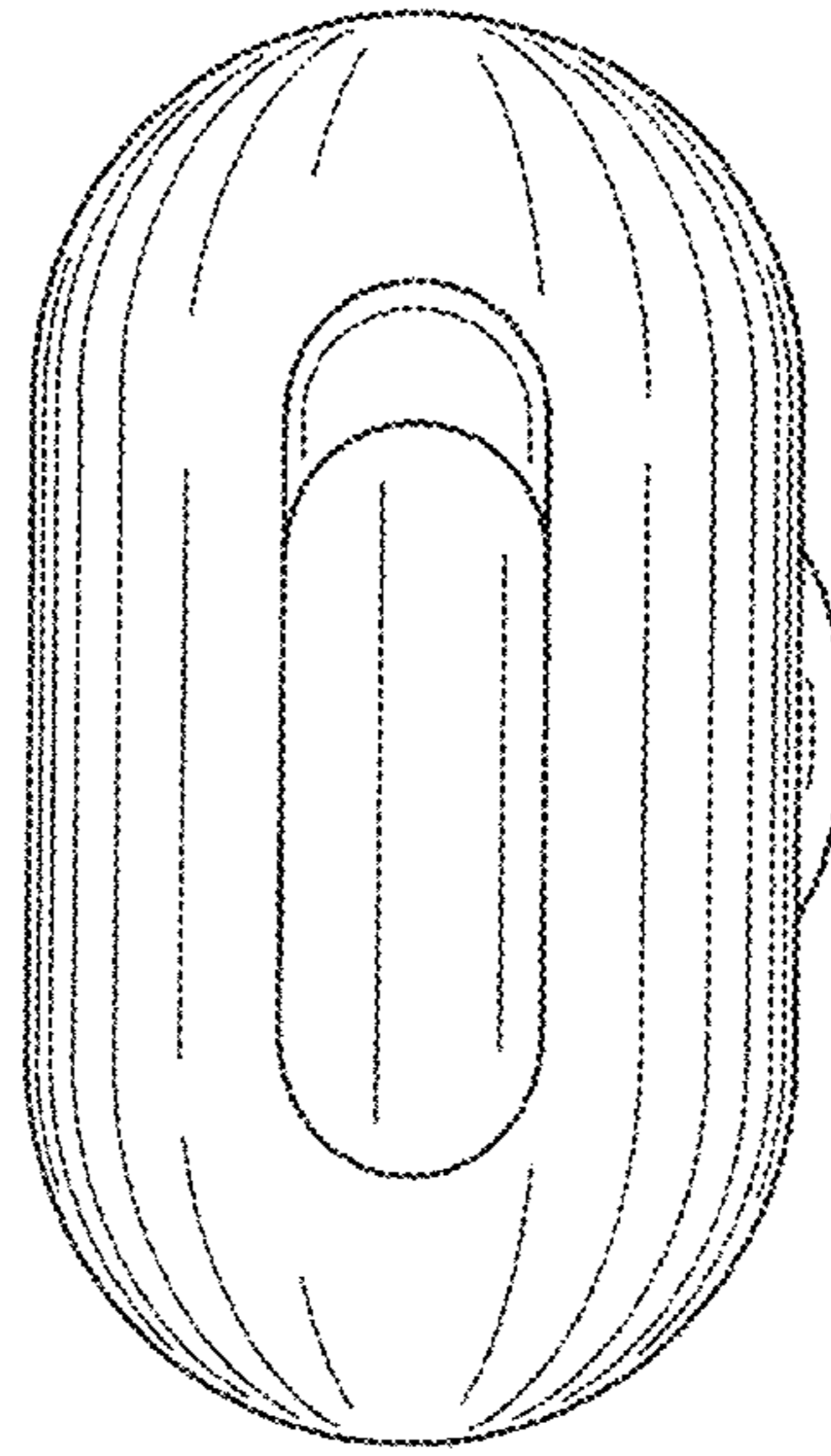


FIG. 8

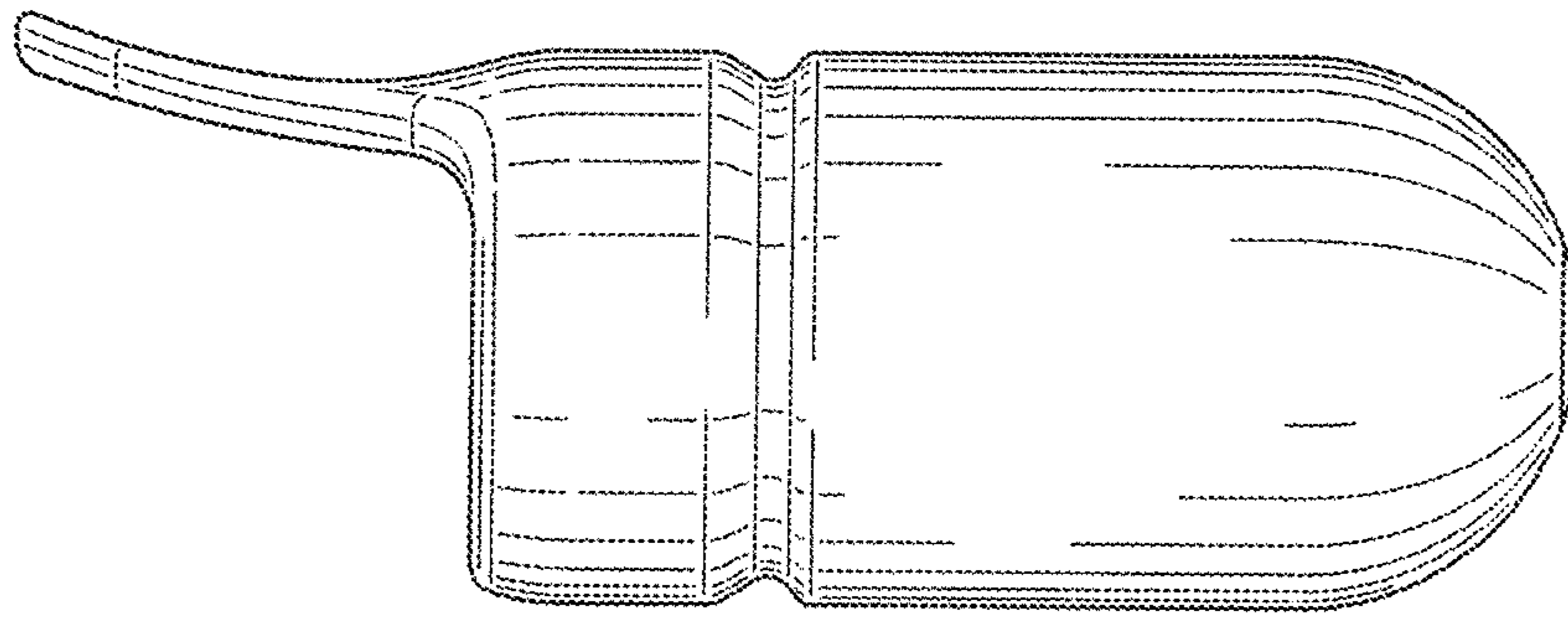


FIG. 6

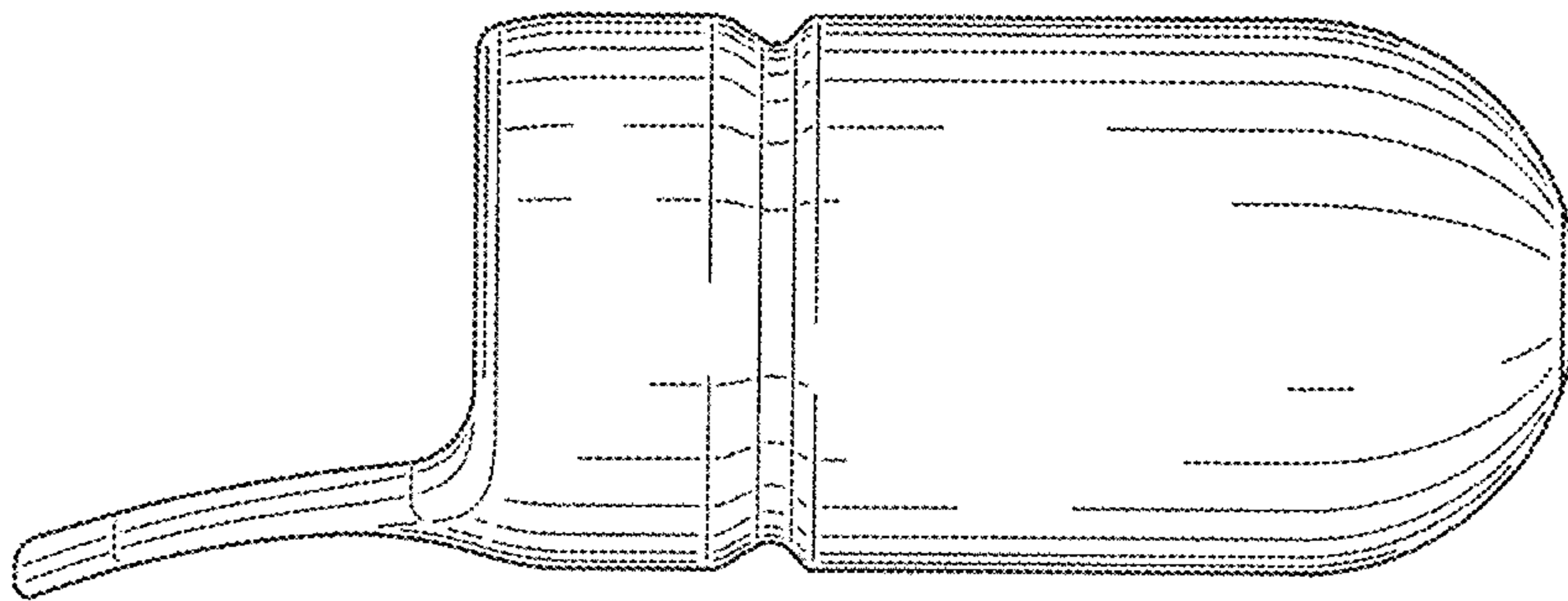


FIG. 5

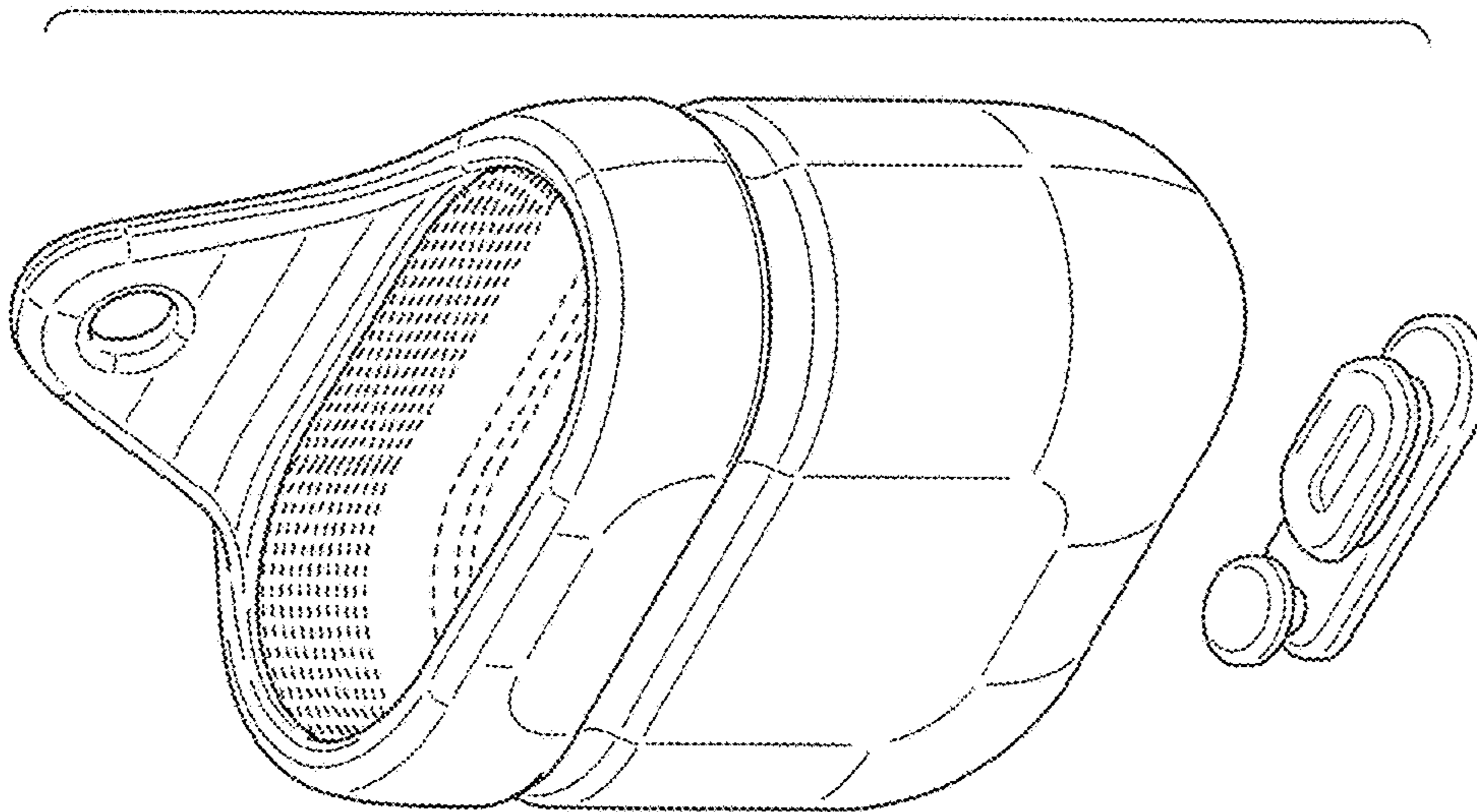


FIG. 9

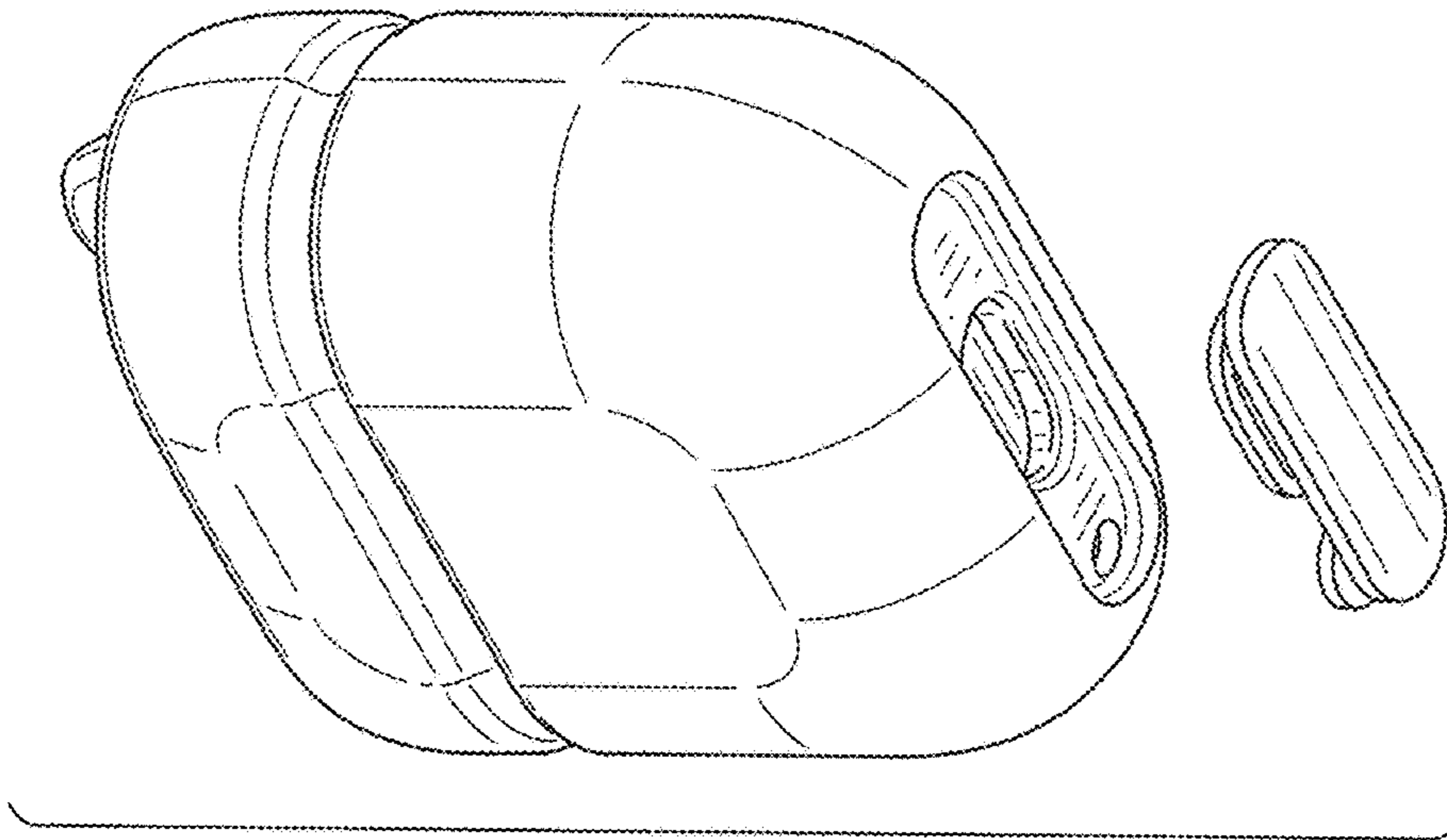


FIG. 10