



US00D794617S

(12) **United States Design Patent**  
**Wright et al.**

(10) **Patent No.:** **US D794,617 S**  
(45) **Date of Patent:** **\*\* Aug. 15, 2017**

(54) **SLEEVE FOR ELECTRONIC DEVICE**  
(71) Applicant: **CATALYST LIFESTYLE LIMITED,**  
North Point (HK)  
(72) Inventors: **Joshua Wright,** Hong Kong Sar (CN);  
**June Lai,** Hong Kong Sar (CN)  
(73) Assignee: **Catalyst Lifestyle Limited,** North  
Point, Hong Kong (CN)  
(\*\*) Term: **15 Years**  
(21) Appl. No.: **29/595,519**

6,305,538 B1 \* 10/2001 Jackson ..... A45C 11/24  
206/316.1  
D475,696 S \* 6/2003 Hussaini ..... D14/238.1  
6,817,470 B1 \* 11/2004 Goldberg ..... H01H 9/0242  
150/165  
D531,618 S \* 11/2006 Kennemer ..... D14/238.1  
7,347,325 B2 \* 3/2008 O'Neill ..... A45C 1/06  
206/38  
D592,400 S 5/2009 Nelson  
D594,659 S 6/2009 Lown et al.  
D595,952 S 7/2009 Nussberger  
D596,393 S 7/2009 Leung et al.  
D599,546 S 9/2009 Lown et al.  
D600,913 S 9/2009 Kalbach  
7,584,841 B2 9/2009 Chan et al.  
D601,366 S \* 10/2009 Barabas ..... D14/238.1

(Continued)

(22) Filed: **Feb. 28, 2017**  
(51) **LOC (10) Cl.** ..... **14-01**  
(52) **U.S. Cl.**  
USPC ..... **D14/238.1;** D14/496; D14/203.3  
(58) **Field of Classification Search**  
USPC ..... D14/432, 434, 447, 357, 299, 496,  
D14/203.1-203.8, 238.1; D21/324, 328,  
D21/332, 333; 361/600, 679.01, 679.02,  
361/679.55, 679.56; 320/114, 115;  
345/156-161, 905, 901; 439/529, 534,  
439/929; 248/127, 307, 309.1, 918;  
348/373, 376, 825, 836  
CPC ..... H05K 5/00; H05K 5/0204; H04N 5/64;  
G06F 1/1601; A45F 5/00; A45F  
220/0516; A45F 2200/0508; A45F  
220/0525  
See application file for complete search history.

*Primary Examiner* — Prabhakar Deshmukh  
(74) *Attorney, Agent, or Firm* — Dinsmore & Shohl LLP

(57) **CLAIM**

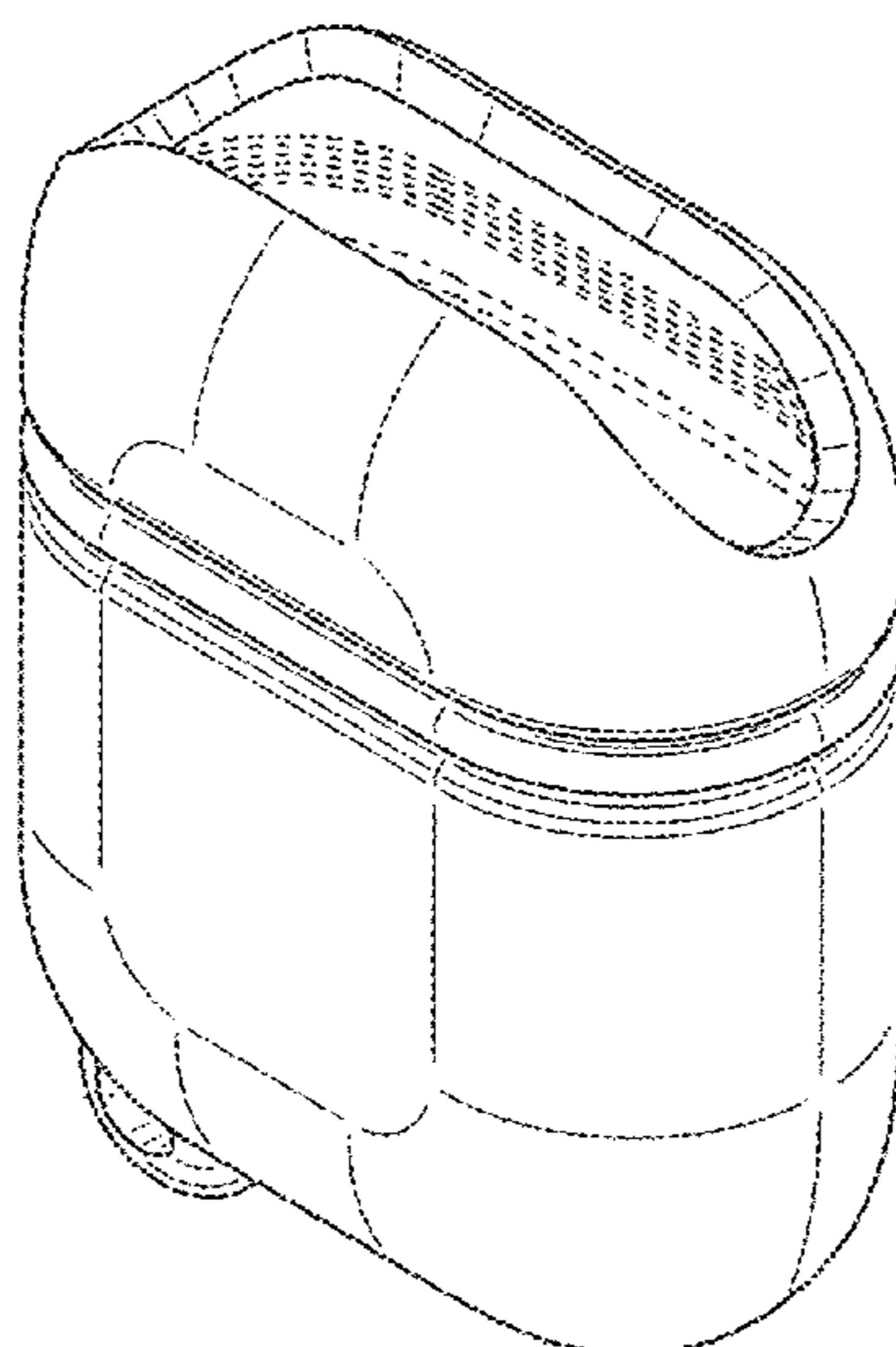
The ornamental design for a sleeve for electronic device, as shown and described.

**DESCRIPTION**

FIG. 1 is a front, top and right perspective view of a sleeve for electronic device showing our new design;  
FIG. 2 is a front, bottom and right perspective view thereof;  
FIG. 3 is a front elevational view thereof;  
FIG. 4 is a rear elevational view thereof;  
FIG. 5 is a right side elevational view thereof;  
FIG. 6 is a left side elevational view thereof;  
FIG. 7 is a top plan view thereof;  
FIG. 8 is a bottom plan view thereof;  
FIG. 9 is an exploded front, top and right perspective view thereof; and,  
FIG. 10 is an exploded front, bottom and right perspective view thereof.  
The broken lines indicate environment and forms no part of the claimed design.

(56) **References Cited**  
U.S. PATENT DOCUMENTS  
D362,542 S 9/1995 Richards et al.  
D375,197 S 11/1996 Laherty  
5,740,624 A \* 4/1998 Baseley ..... A45C 11/182  
40/27.5  
D405,256 S 2/1999 Chacon et al.

**1 Claim, 4 Drawing Sheets**



(56)

**References Cited**

U.S. PATENT DOCUMENTS

7,855,529 B2 \* 12/2010 Liu ..... G06F 1/1632  
320/108  
D670,497 S \* 11/2012 Phillips ..... D3/300  
8,399,764 B2 \* 3/2013 Klosky ..... H04B 1/3888  
174/350  
D681,613 S \* 5/2013 Magness ..... D14/238.1  
D718,750 S \* 12/2014 Young ..... D14/203.7  
8,961,015 B1 \* 2/2015 Bihn ..... A45C 3/001  
383/105

\* cited by examiner

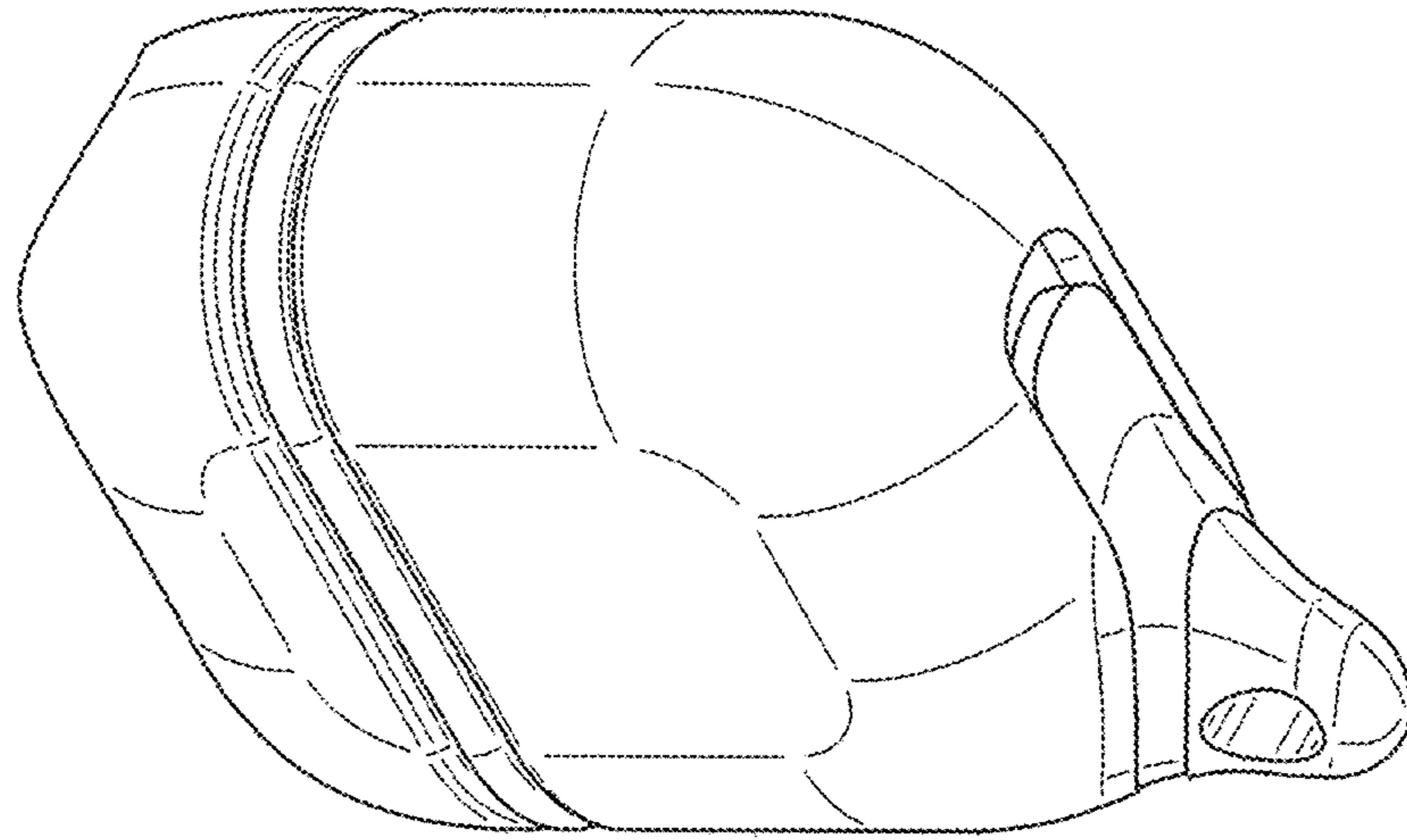


FIG. 2

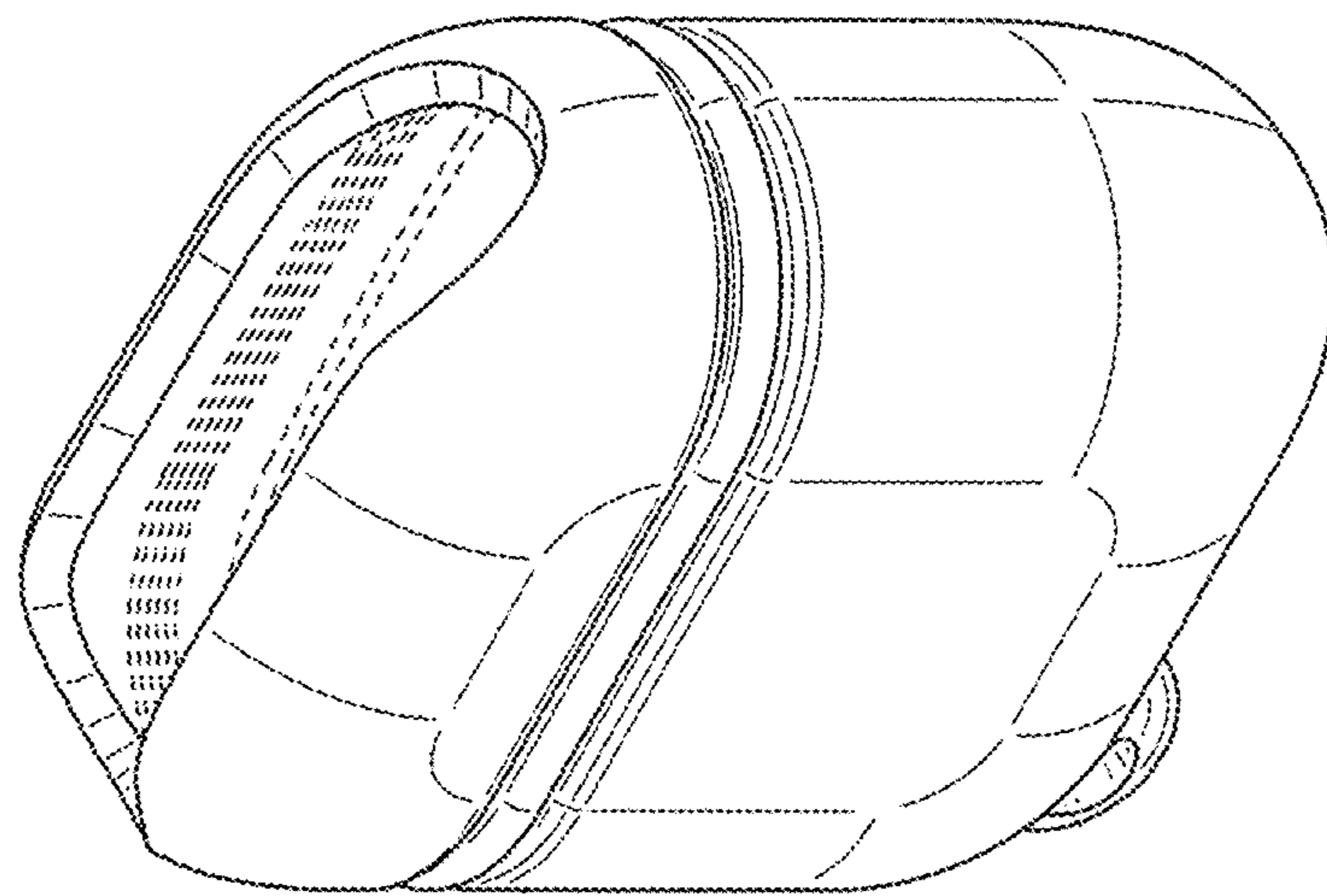


FIG. 1

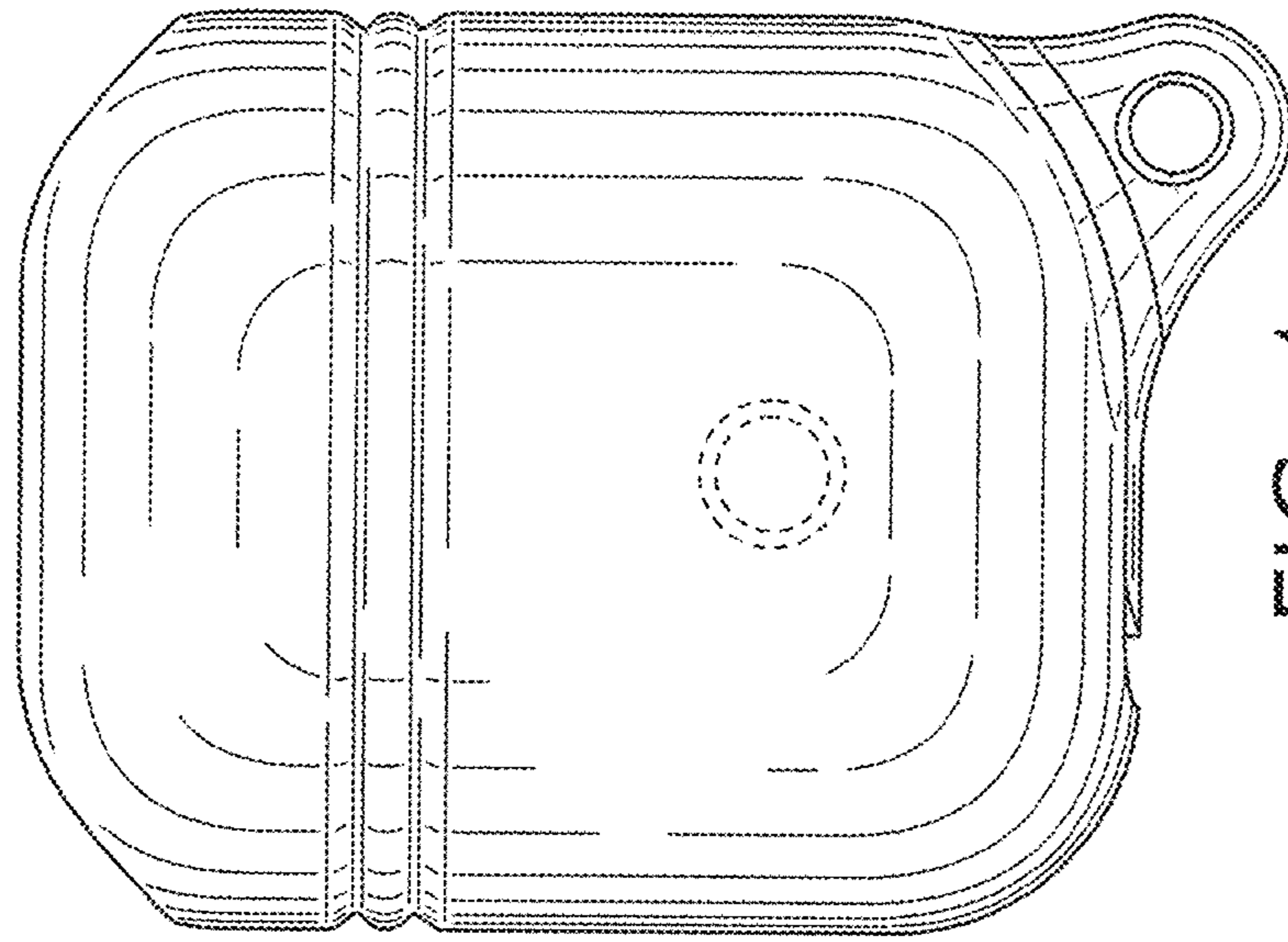


FIG. 4

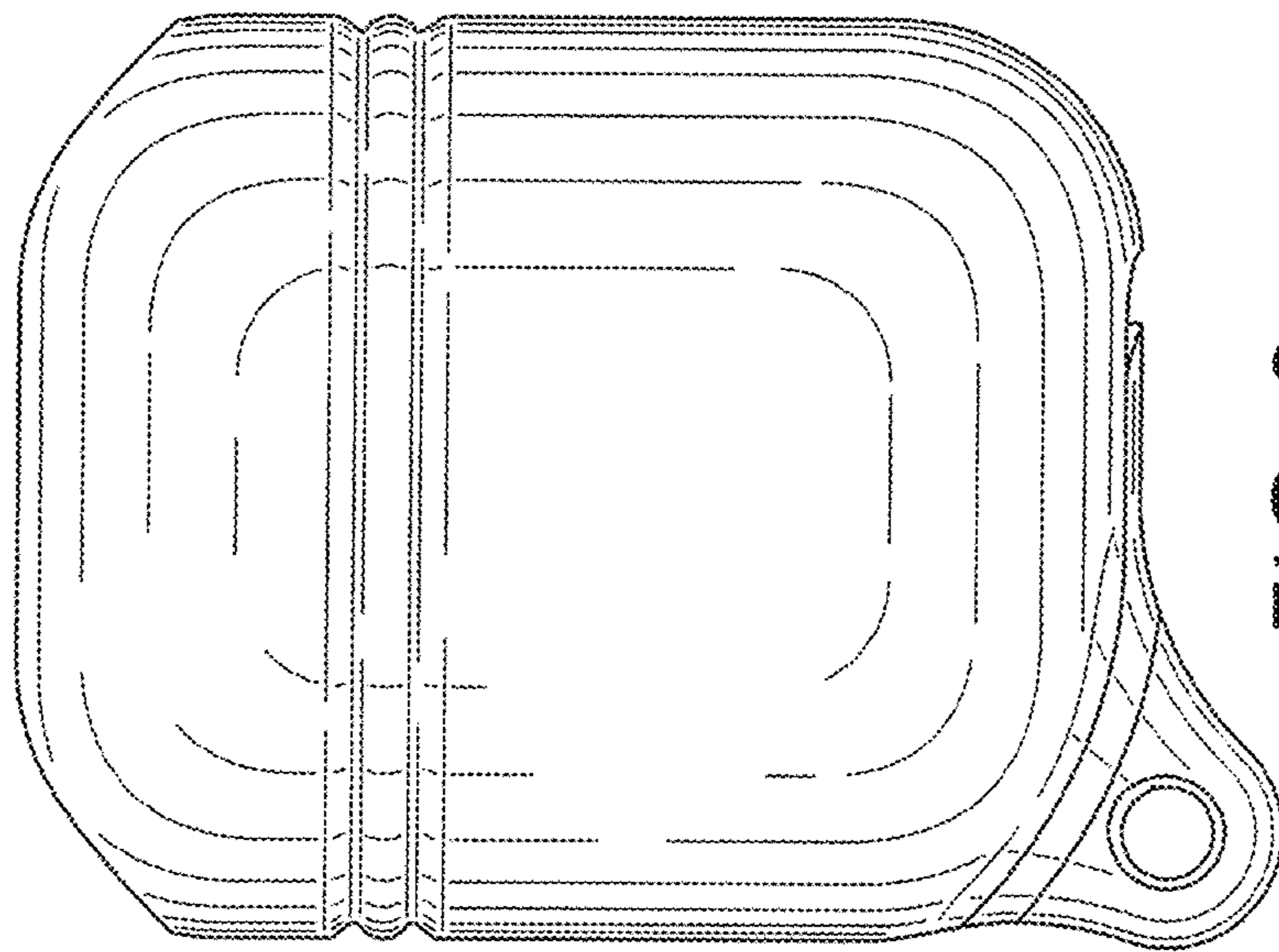


FIG. 3

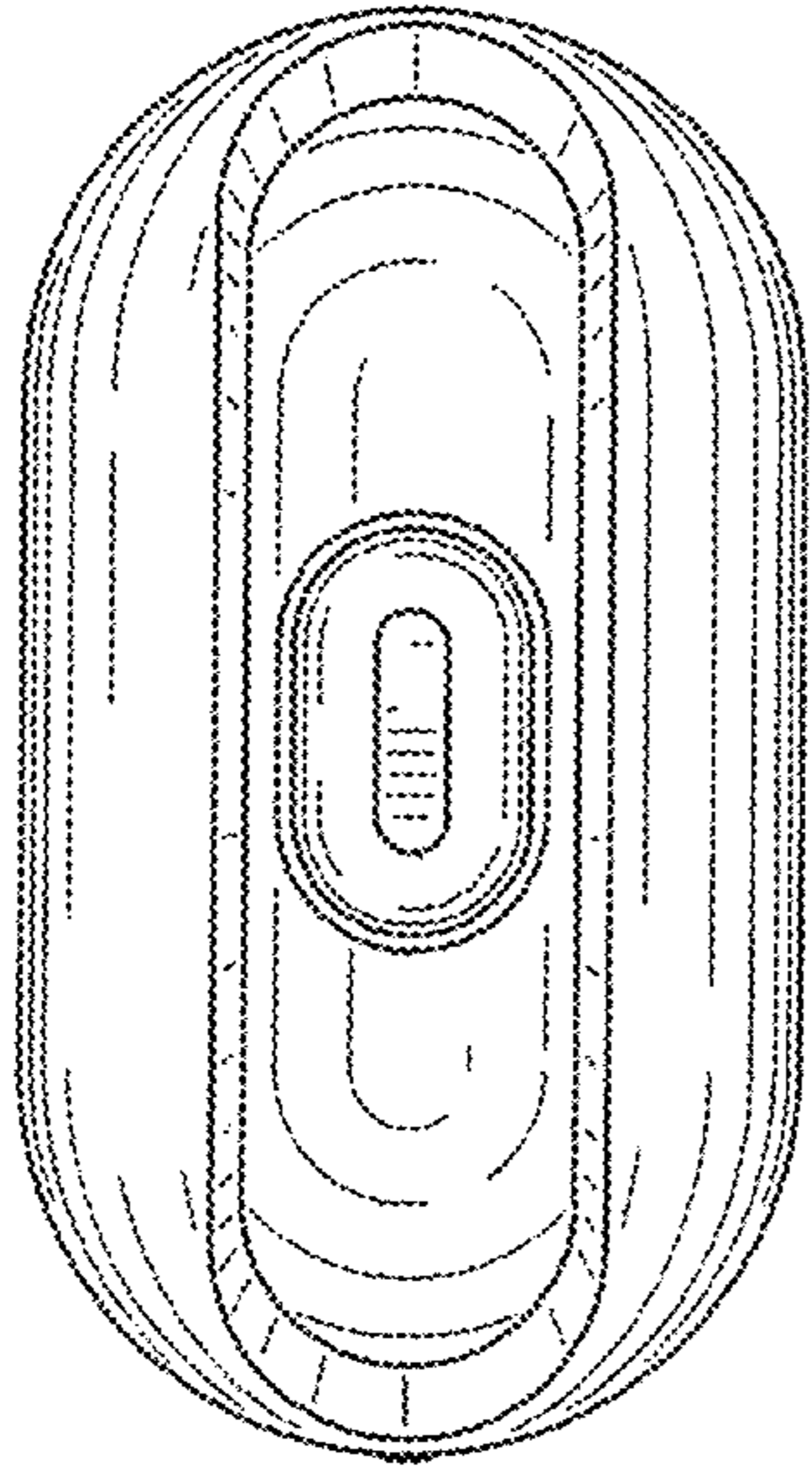


FIG. 7

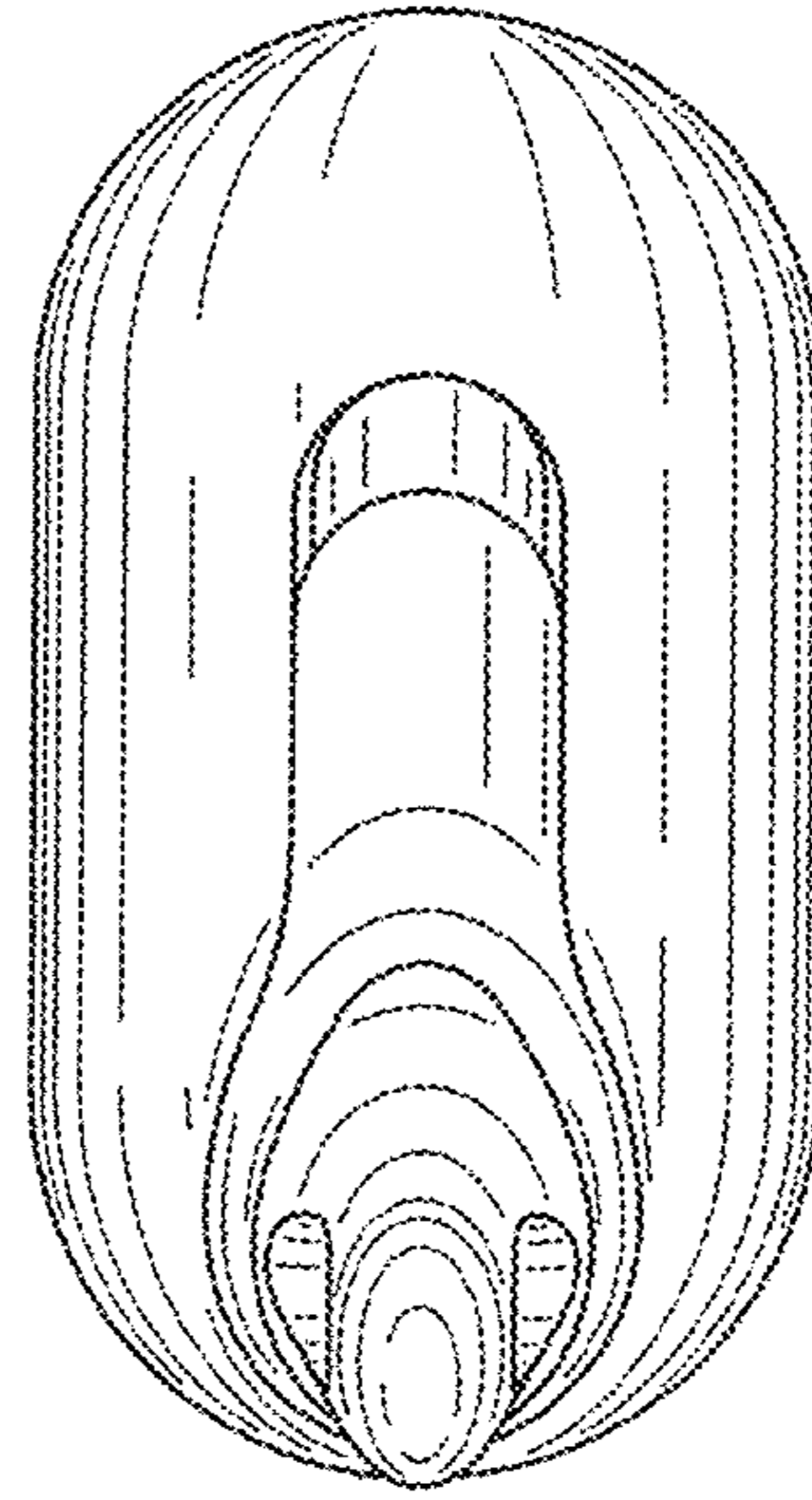


FIG. 8

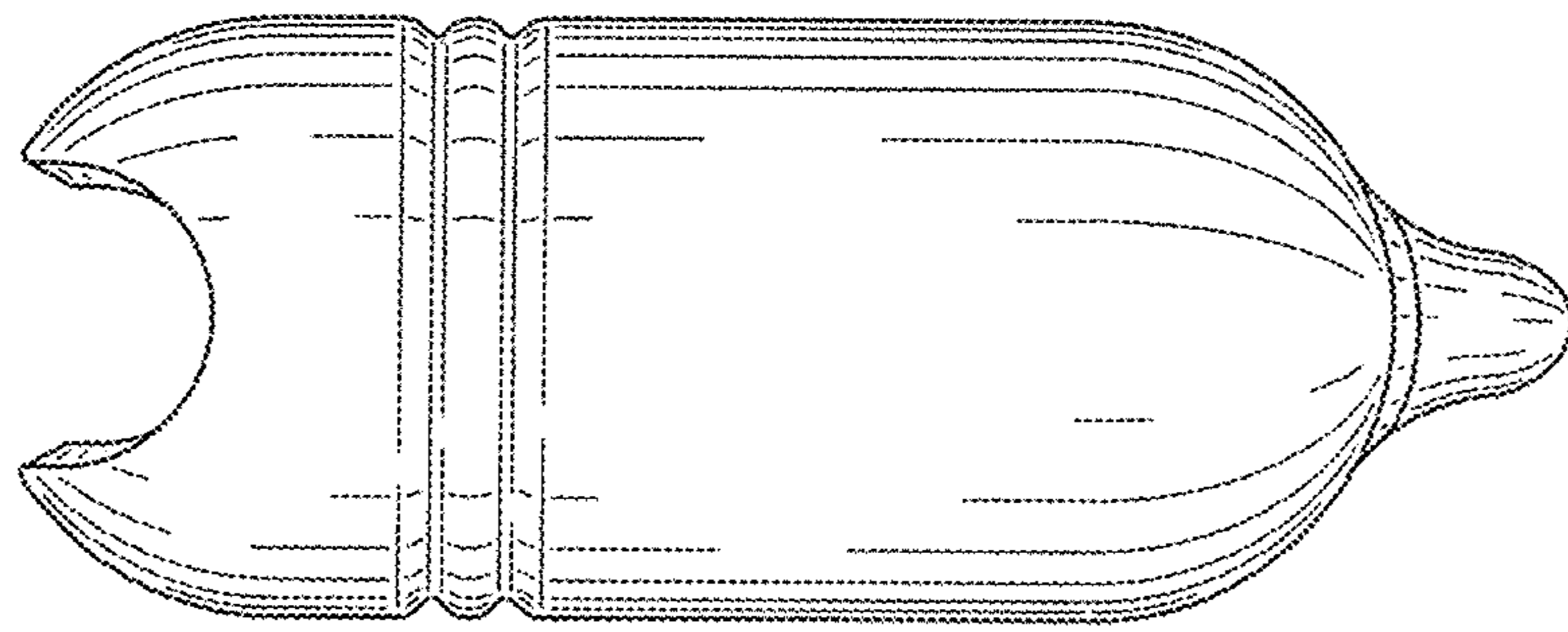


FIG. 6

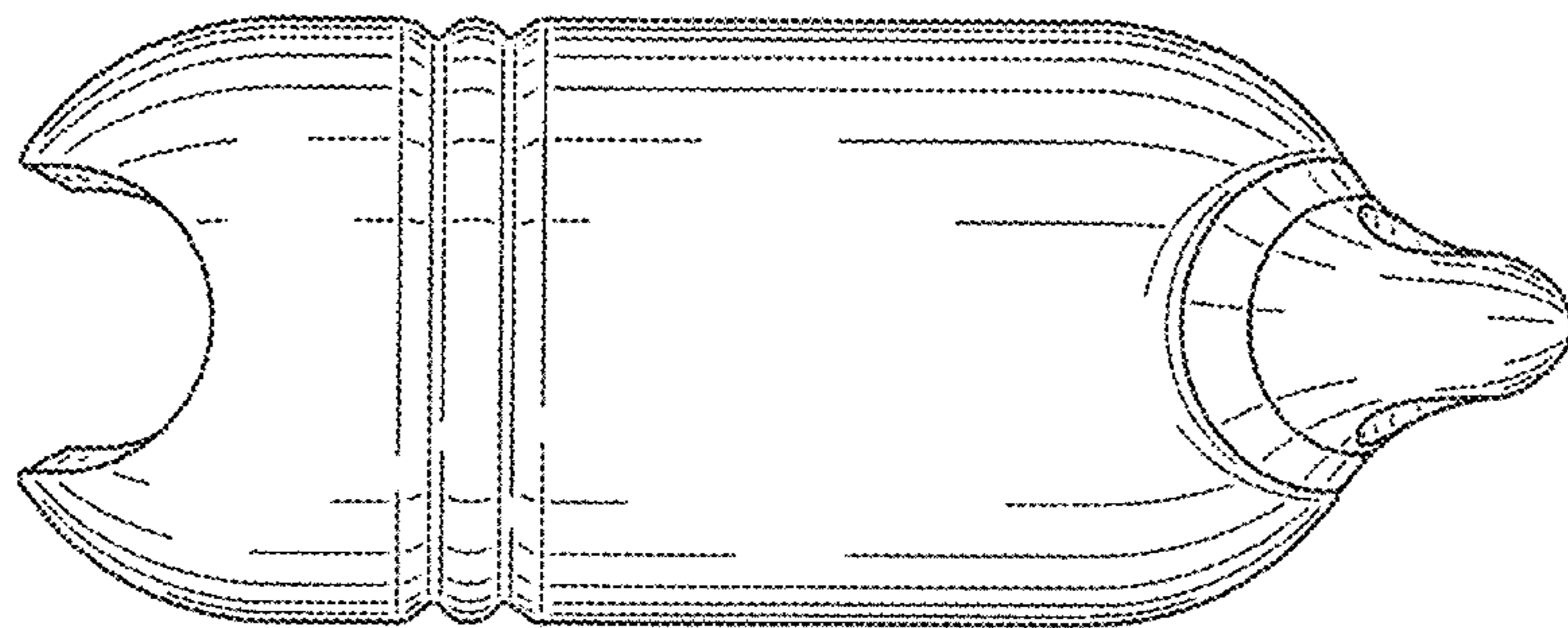


FIG. 5

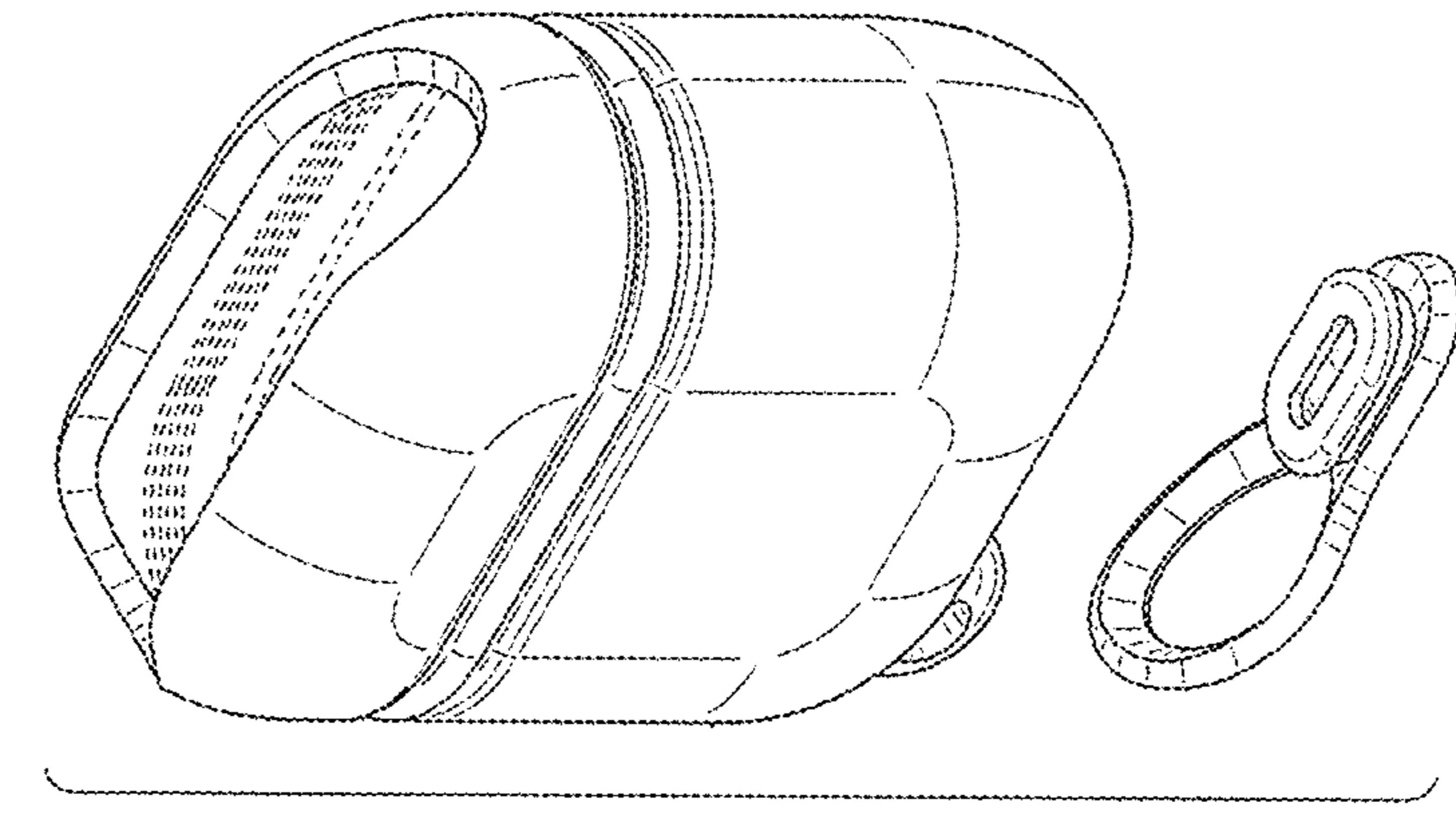


FIG. 9

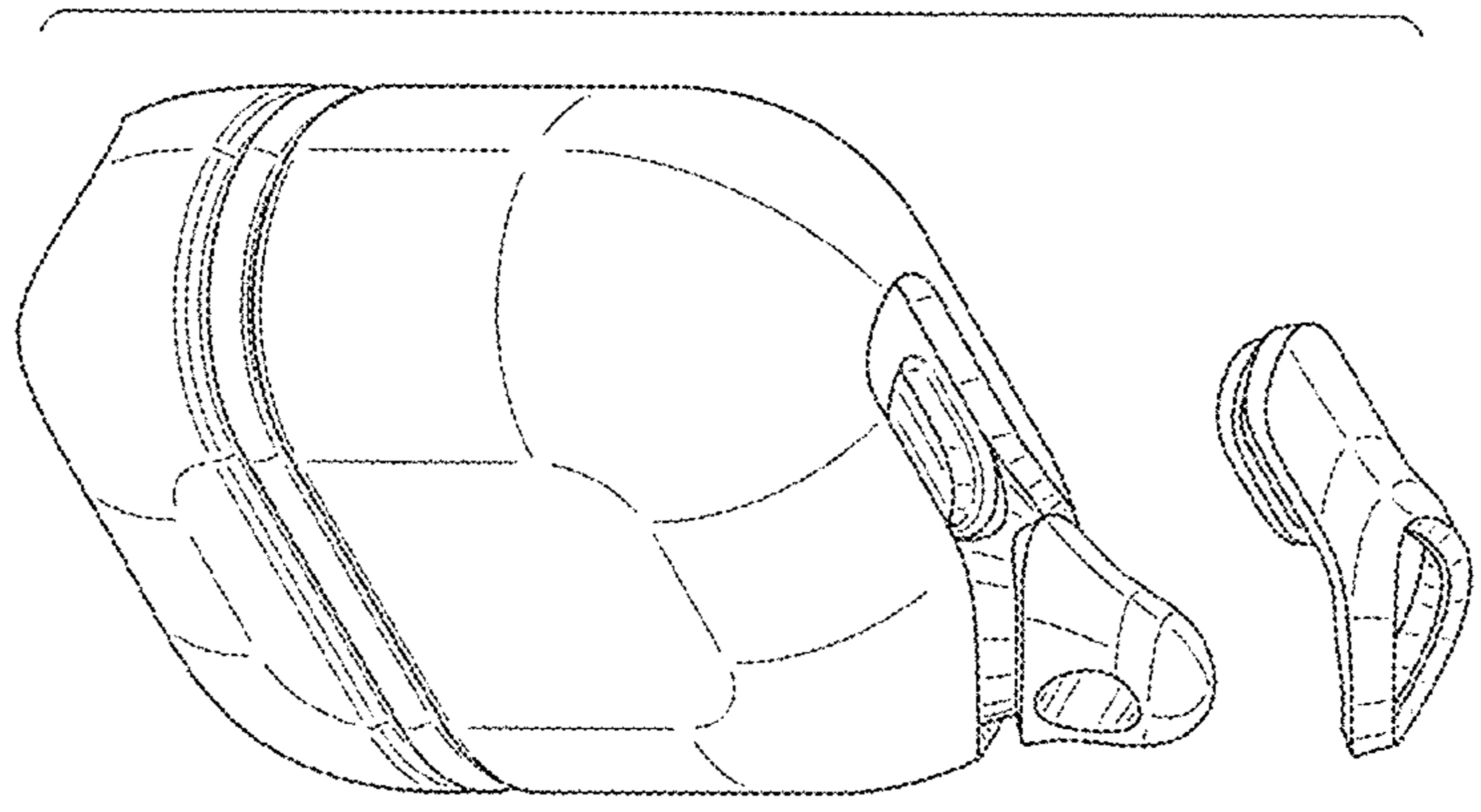


FIG. 10