



US00D794614S

(12) **United States Design Patent**  
**Xu**

(10) **Patent No.:** **US D794,614 S**

(45) **Date of Patent:** **\*\* Aug. 15, 2017**

(54) **EARPHONE**

(71) Applicants: **1MORE INC.**, Guangdong (CN);  
**Beijing Xiaomi Mobile Software Co., Ltd.**, Beijing (CN)

(72) Inventor: **Shichen Xu**, Guangdong (CN)

(73) Assignees: **1MORE INC.**, Shenzhen (CN);  
**BEIJING XIAOMI MOBILE SOFTWARE CO., LTD.**, Beijing (CN)

(\*\*) Term: **15 Years**

(21) Appl. No.: **29/569,119**

(22) Filed: **Jun. 23, 2016**

(30) **Foreign Application Priority Data**

Dec. 24, 2015 (CN) ..... 2015 3 0556088

(51) **LOC (10) Cl.** ..... **14-01**

(52) **U.S. Cl.**  
USPC ..... **D14/223**

(58) **Field of Classification Search**  
USPC ..... 14/223; D24/174; 181/129, 130, 135;  
379/430, 431; 381/380, 381, 328, 322,  
381/324, 312, 325  
CPC ..... H04R 1/10; H04R 1/1066; H04R 1/1016;  
H04R 25/00; H04R 1/105; H04R 1/1091;  
H04R 25/02

See application file for complete search history.

(56) **References Cited**

**U.S. PATENT DOCUMENTS**

1,556,775 A \* 10/1925 Fensky ..... G10K 11/08  
181/130  
2,262,568 A \* 11/1941 Wade ..... A61F 11/08  
128/864  
2,513,985 A \* 7/1950 Woodruff ..... H04R 1/1008  
181/130  
D213,448 S \* 3/1969 Giller ..... D24/174

D230,280 S \* 2/1974 Nygard ..... D24/174  
3,811,437 A \* 5/1974 Gardner, Jr. .... A61F 11/10  
128/864  
4,937,876 A \* 6/1990 Biermans ..... H04R 25/604  
181/130  
5,343,539 A \* 8/1994 Chan ..... G06T 9/005  
348/421.1  
5,420,935 A \* 5/1995 Shinohara ..... H04R 1/1016  
379/431  
D464,039 S \* 10/2002 Boesen ..... D14/223  
6,574,345 B1 \* 6/2003 Huang ..... H04R 1/1016  
379/430  
D499,397 S \* 12/2004 Hlas ..... D14/223  
6,891,956 B2 \* 5/2005 Heerlein ..... H04R 25/654  
381/322  
D512,990 S \* 12/2005 Yang ..... D14/205  
D586,333 S \* 2/2009 Tkachuk ..... D14/223  
7,778,434 B2 \* 8/2010 Juneau ..... A61F 11/10  
381/322  
D627,766 S \* 11/2010 Arimoto ..... D14/223

(Continued)

*Primary Examiner* — Paula Allen Greene

(74) *Attorney, Agent, or Firm* — Platinum Intellectual Property LLP

(57) **CLAIM**

The ornamental design for an earphone, as shown and described.

**DESCRIPTION**

FIG. 1 is a front elevational view of an earphone showing my new design;

FIG. 2 is a rear elevational view thereof;

FIG. 3 is a left-side elevational view thereof;

FIG. 4 is a right-side elevational view thereof;

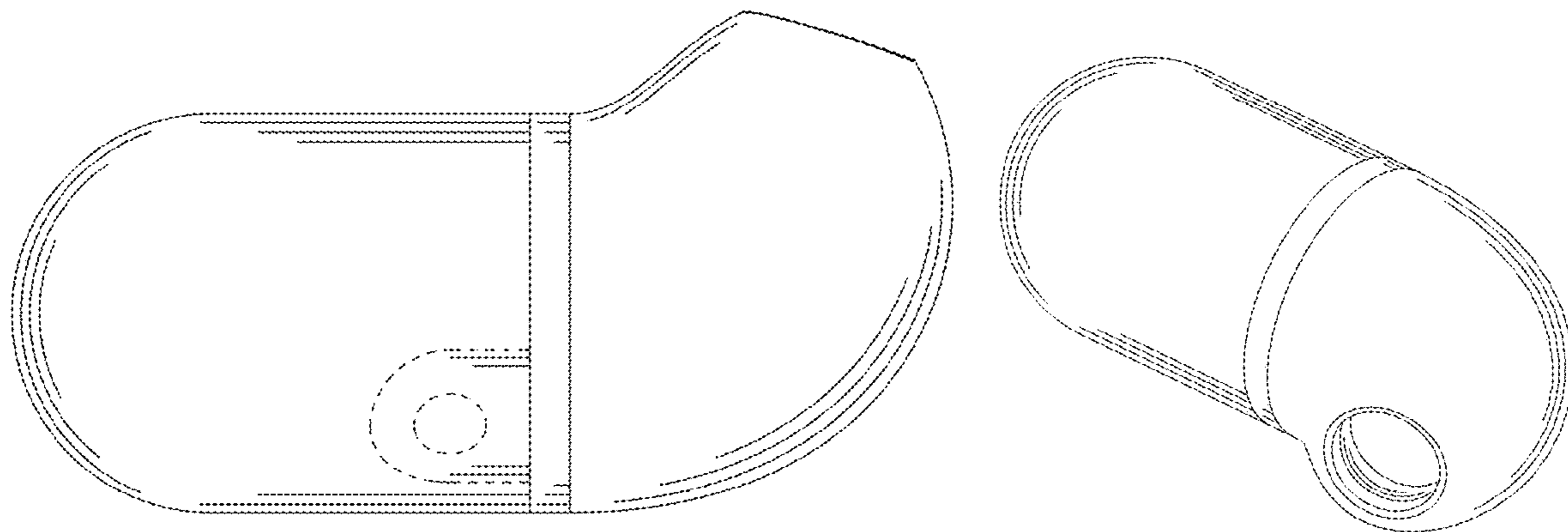
FIG. 5 is a top plan view thereof;

FIG. 6 is a bottom plan view thereof; and,

FIG. 7 is a perspective view thereof.

The broken lines form no part of the claimed design.

**1 Claim, 7 Drawing Sheets**



(56)

**References Cited**

U.S. PATENT DOCUMENTS

D633,086	S *	2/2011	Chen	.....	D14/223
D637,183	S *	5/2011	March	.....	D14/223
D637,184	S *	5/2011	March	.....	D14/223
7,965,855	B1 *	6/2011	Ham	.....	H04R 1/1091 181/130
D641,738	S *	7/2011	Perez	.....	D14/223
D641,739	S *	7/2011	Huang	.....	D14/223
D662,493	S *	6/2012	Chen	.....	D14/223
D671,531	S *	11/2012	Kim	.....	D14/223
8,477,978	B2 *	7/2013	Caldarola	.....	H04R 5/02 181/130
D762,616	S *	8/2016	Hsieh	.....	D14/205
D778,268	S *	2/2017	Hsieh	.....	D14/223
2007/0154042	A1 *	7/2007	Buckley	.....	B65D 85/38 381/322
2011/0031060	A1 *	2/2011	Epping	.....	H04R 1/2803 181/135
2013/0056295	A1 *	3/2013	Campbell	.....	H04R 25/652 181/135
2013/0259286	A1 *	10/2013	Chung	.....	H04R 1/1016 381/380

\* cited by examiner

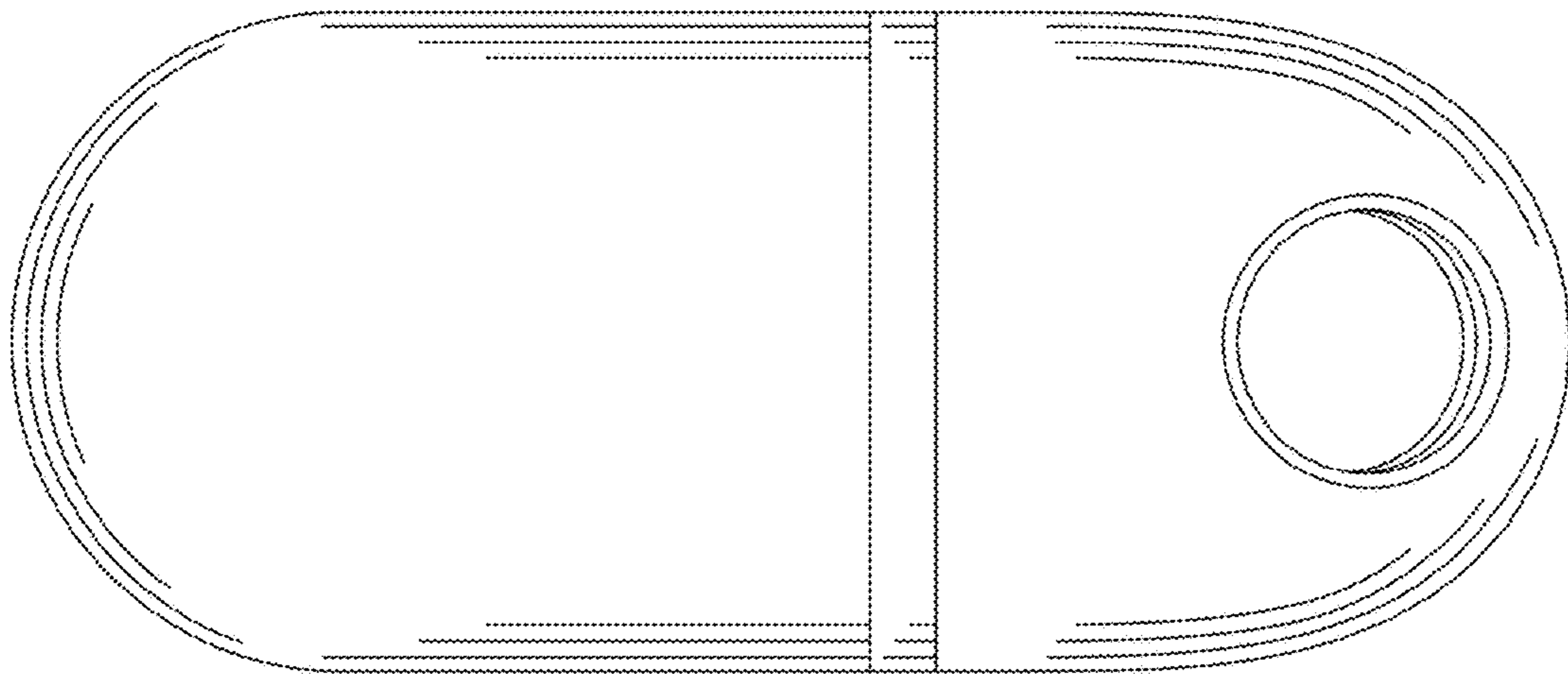


FIG. 1

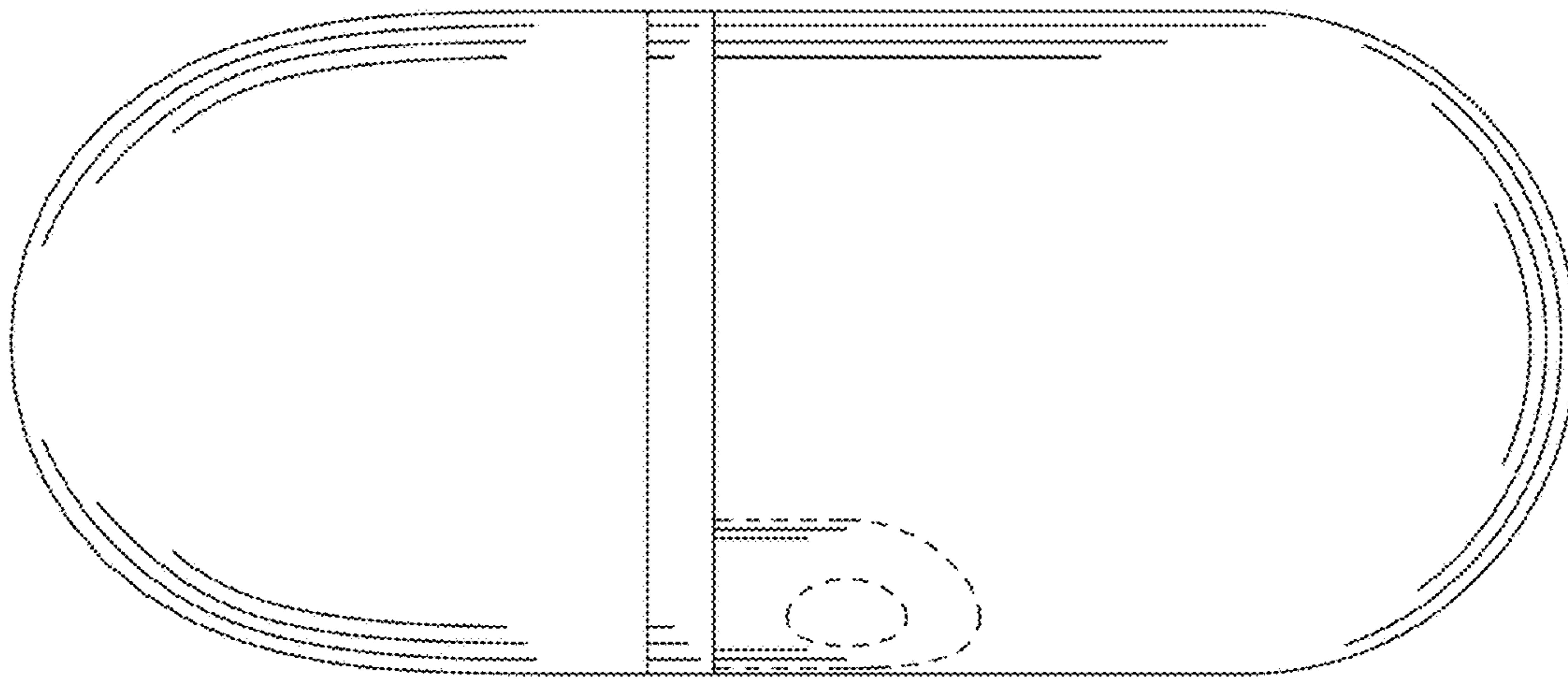


FIG. 2

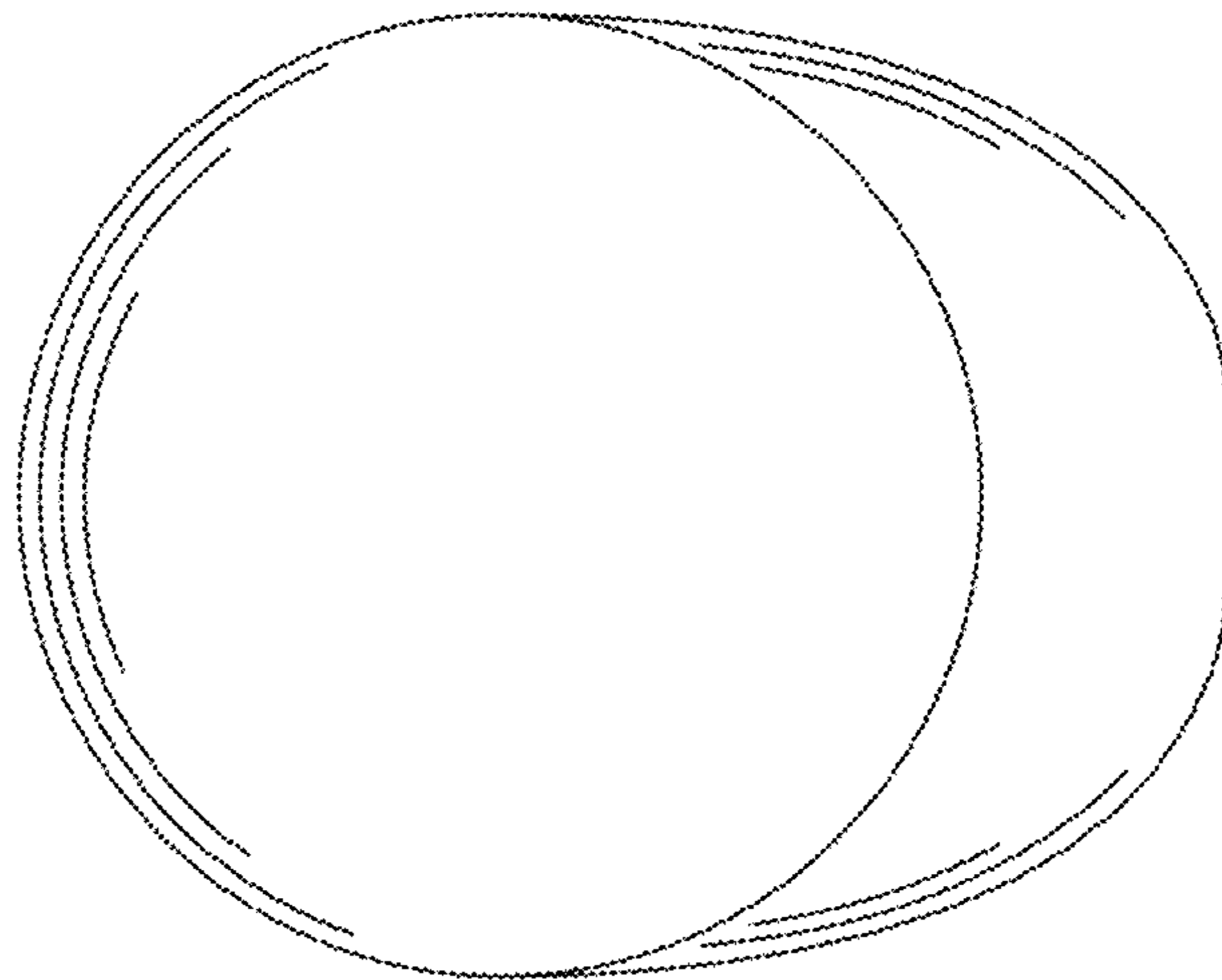


FIG. 3

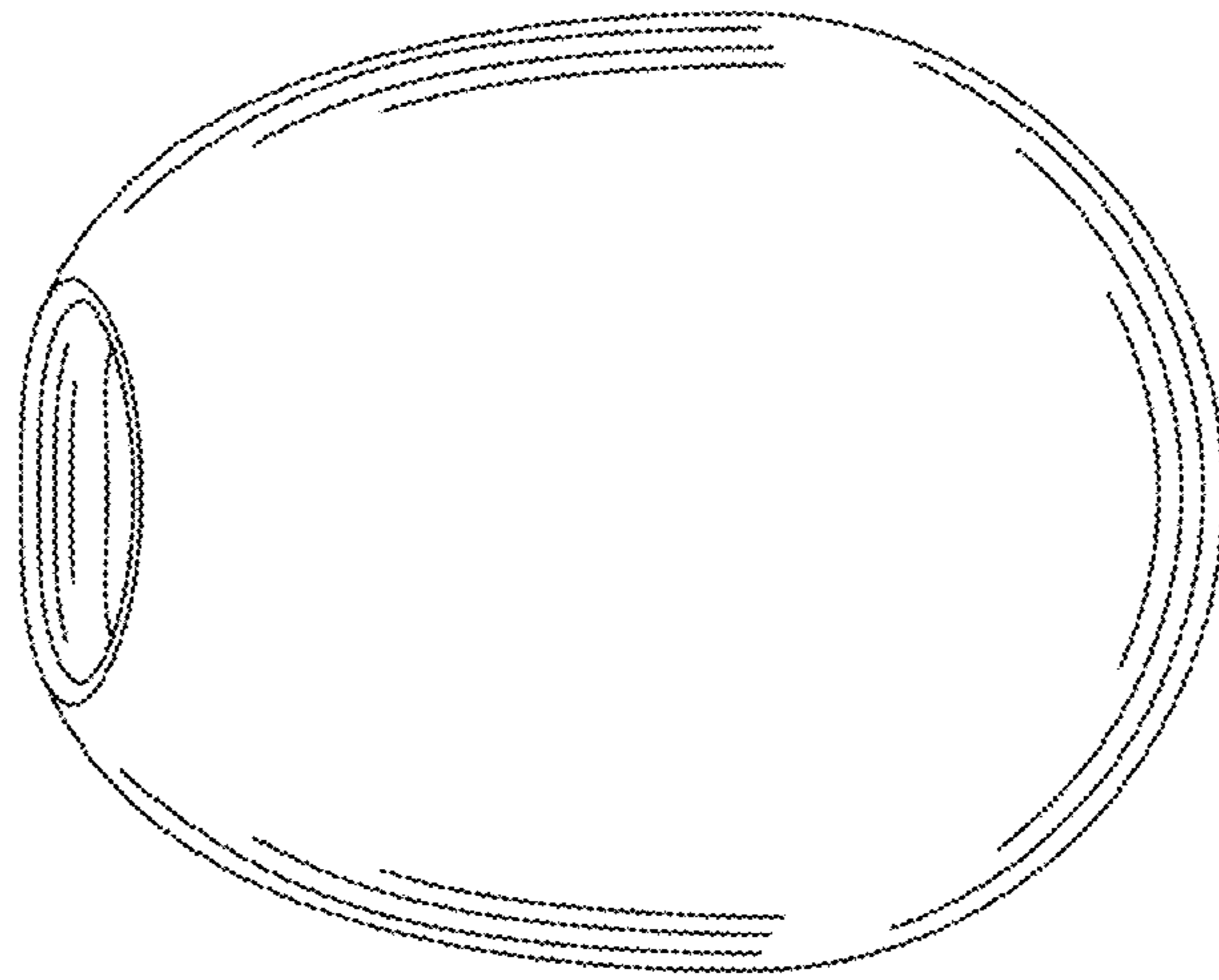


FIG. 4

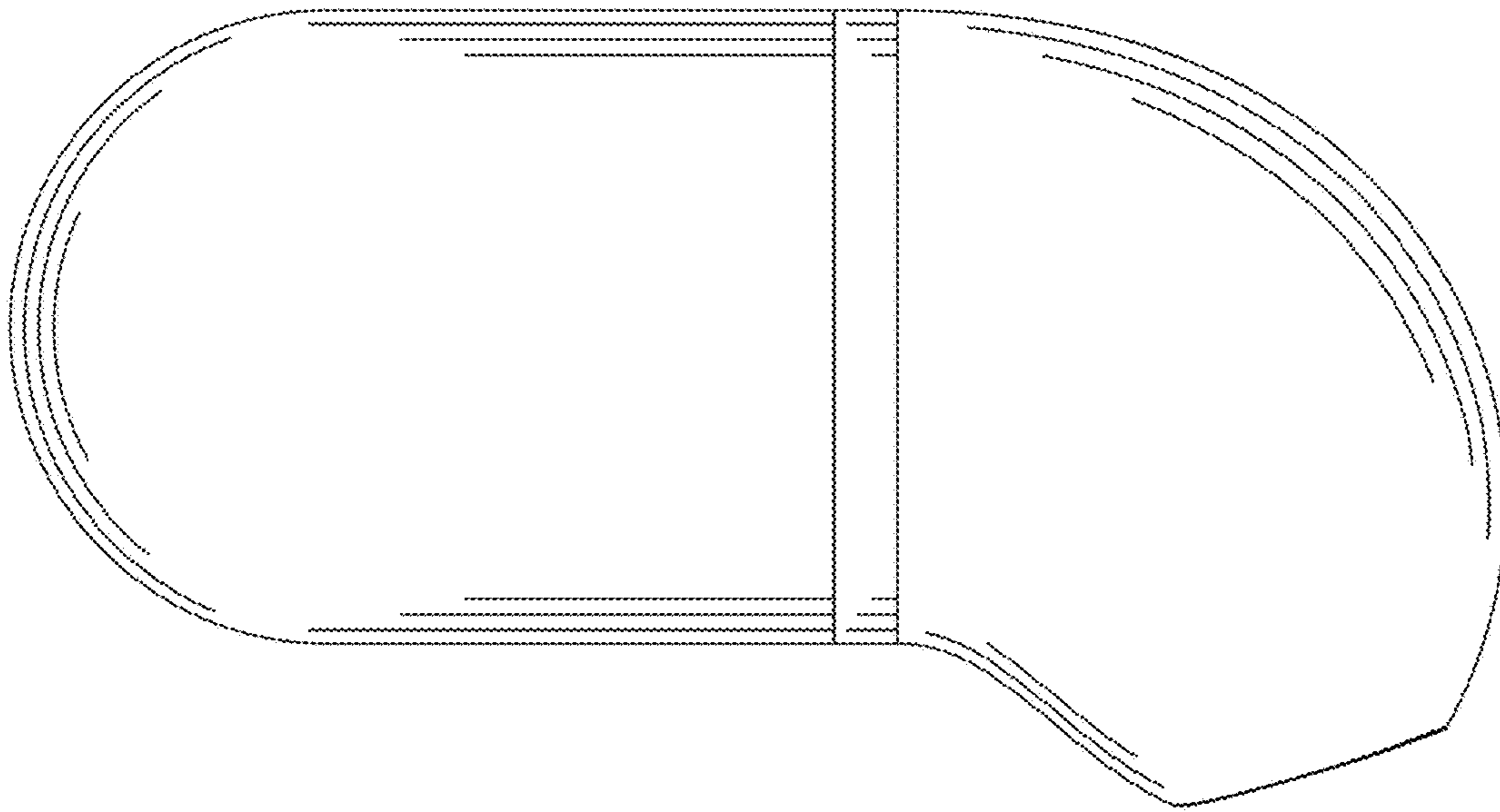


FIG. 5

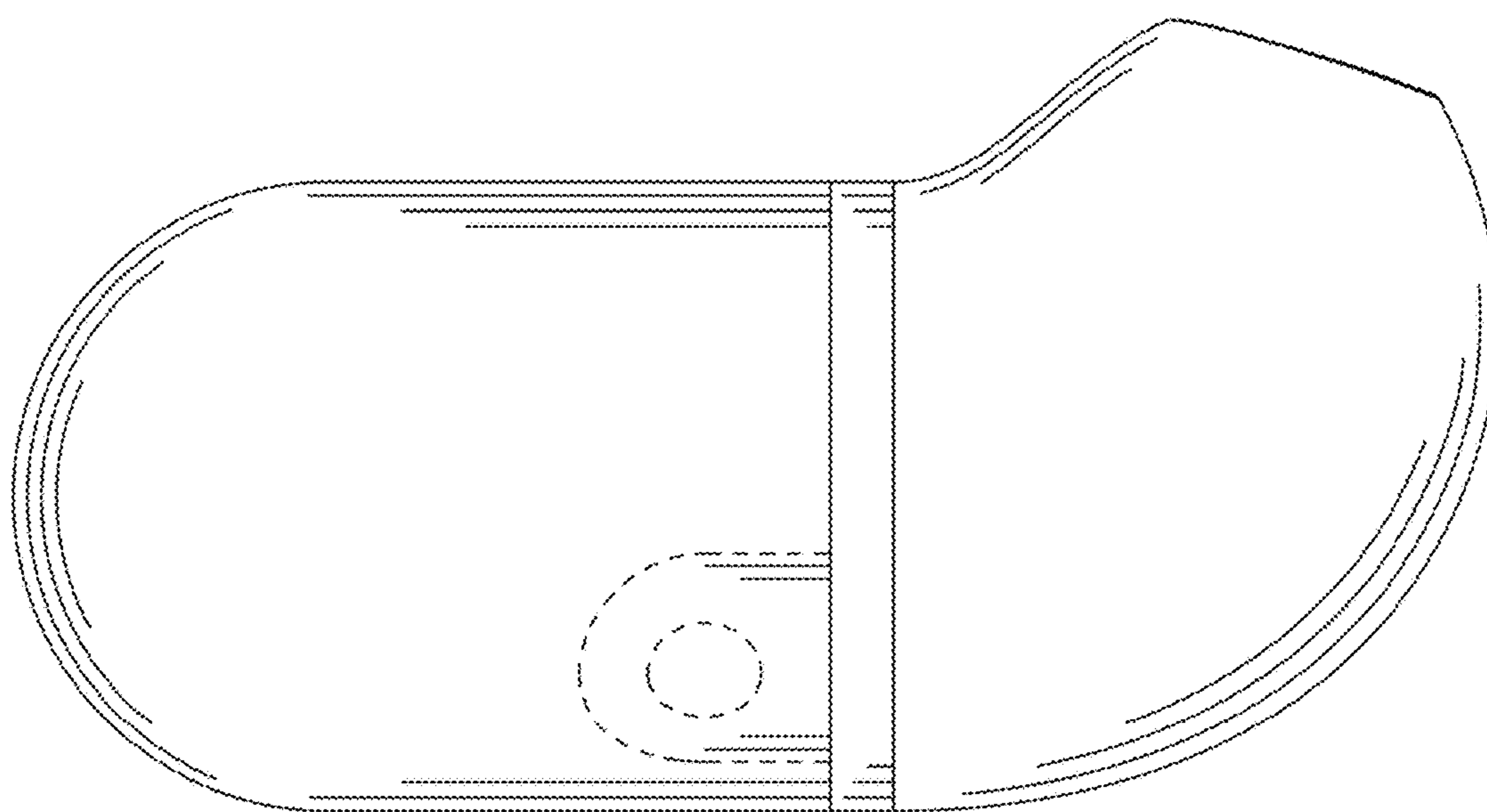


FIG. 6



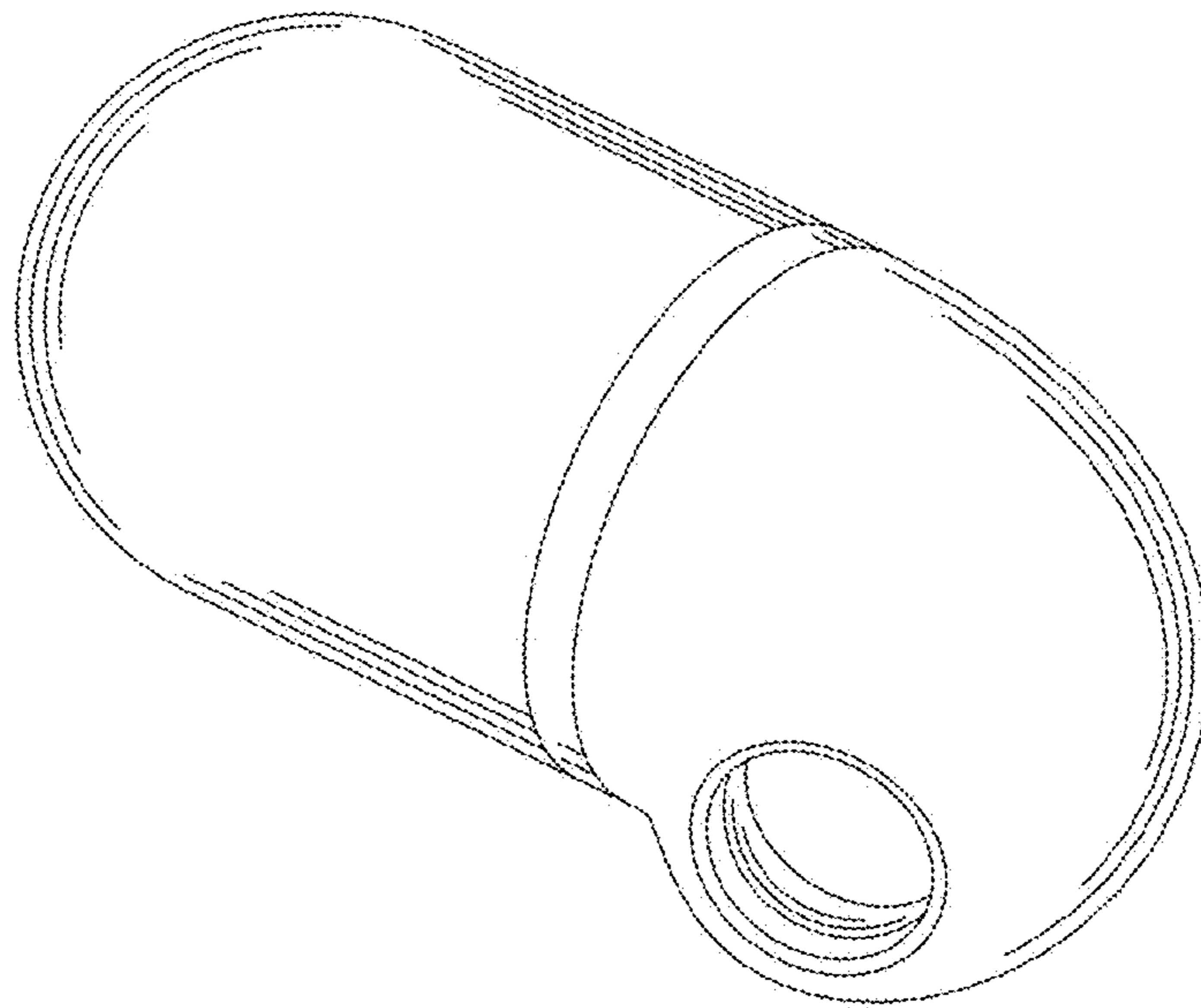


FIG. 7