



US00D794613S

(12) **United States Design Patent**
Hayden

(10) **Patent No.:** **US D794,613 S**
(45) **Date of Patent:** **** Aug. 15, 2017**

- (54) **EARBUD HEADPHONE ADAPTER**
- (71) Applicant: **Inca Street Sound, LLC**, Denver, CO (US)
- (72) Inventor: **Thomas G. Hayden**, Denver, CO (US)
- (73) Assignee: **Inca Street Sound, LLC**, Denver, CO (US)
- (**) Term: **15 Years**
- (21) Appl. No.: **29/557,189**
- (22) Filed: **Mar. 7, 2016**

Related U.S. Application Data

- (63) Continuation-in-part of application No. 15/062,088, filed on Mar. 5, 2016.
- (51) **LOC (10) Cl.** **14-01**
- (52) **U.S. Cl.**
USPC **D14/223**
- (58) **Field of Classification Search**
USPC D14/223, 205; D24/174; 181/129, 130, 181/135; 379/430, 431, 433.01; 381/328, 380, 381
CPC H04R 1/10; H04R 1/105; H04R 25/00; H04R 25/02; H04R 25/652; H04R 1/1016; H04R 1/1066
See application file for complete search history.

(56) **References Cited**

U.S. PATENT DOCUMENTS

- 860,096 A * 7/1907 Lin F16D 13/12 188/337
- D141,071 S * 5/1945 Hechler D24/174
- 2,377,739 A * 6/1945 Wyckoff A61F 11/008 181/132
- 2,391,924 A * 1/1946 Rutter H04R 17/00 29/594
- 2,521,414 A * 9/1950 Schier H04R 25/656 181/135

- 2,549,629 A * 4/1951 Nelson H04R 25/60 381/313
- 2,763,334 A * 9/1956 Starkey H04R 25/652 181/135
- 2,787,670 A * 4/1957 Rowland H04R 25/652 381/322
- 3,104,290 A * 9/1963 Rosemond G02C 11/06 351/158
- 3,157,245 A * 11/1964 Bernstein H04R 25/652 181/135

(Continued)

OTHER PUBLICATIONS

Yurbuds Sport Headphones, <http://www.jbl.com/yurbuds-sport-headphones/?adpos=1t1&creative=84121232455&device=c&matchtype=b&network=g&clid=CNPOvprDxcsCFQmqaQodkVkf2g> (last visited Mar. 15, 2016).

(Continued)

Primary Examiner — Paula Greene
(74) *Attorney, Agent, or Firm* — University of Colorado Entrepreneurial Law Clinic

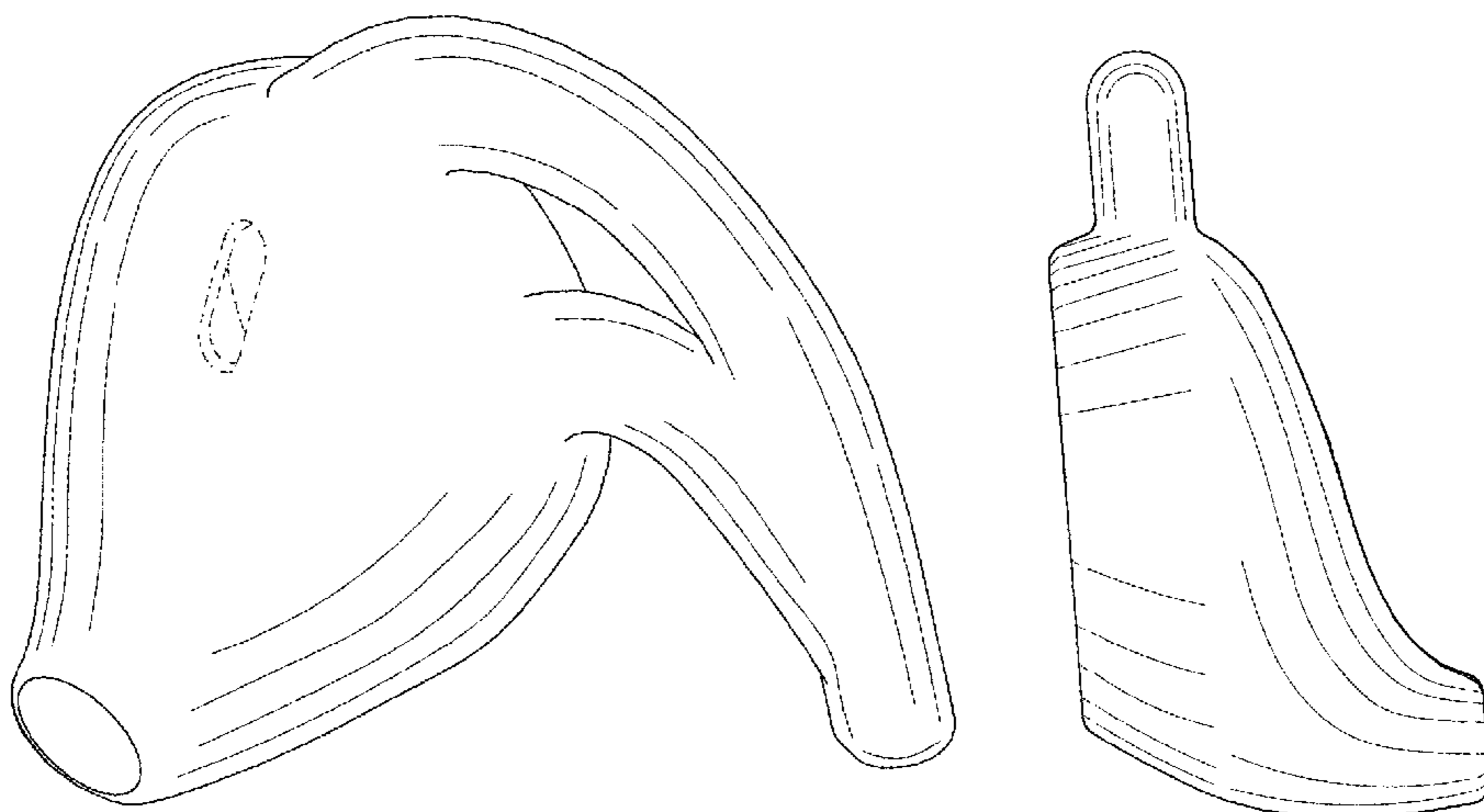
(57) **CLAIM**

The ornamental design for earbud headphone adapter, as shown and described.

DESCRIPTION

FIG. 1 is a front perspective view of earbud headphone adapter;
FIG. 2 is a back view thereof;
FIG. 3 is a front view thereof;
FIG. 4 is a right side view thereof;
FIG. 5 is a left side view thereof;
FIG. 6 is a top view thereof; and,
FIG. 7 is a bottom view thereof.
The broken lines depict environment that forms no part of the claimed design.

1 Claim, 7 Drawing Sheets



(56)

References Cited

U.S. PATENT DOCUMENTS

3,275,099 A * 9/1966 Speelman A61B 7/026
181/131
3,368,644 A * 2/1968 Henderson G02C 11/06
181/129
D221,442 S * 8/1971 Feingold D24/174
4,010,820 A * 3/1977 Johnson H04R 25/652
181/130
4,311,206 A * 1/1982 Johnson H04R 25/48
181/135
D266,590 S * 10/1982 Bennett D24/174
5,345,509 A * 9/1994 Hofer H04R 25/652
381/151
5,449,865 A * 9/1995 Desnick A61B 7/02
181/131
D388,093 S 12/1997 Frengley
D488,460 S * 4/2004 Alwicker D14/223
D505,132 S * 5/2005 Linville D14/223
D529,901 S * 10/2006 Ohta D14/223
D558,735 S 1/2008 Carr
D576,610 S * 9/2008 Johnson D14/205
D618,219 S 6/2010 Burgett
D622,265 S 8/2010 Rye
D628,990 S * 12/2010 Pedersen D14/223
D635,960 S * 4/2011 Gondo D14/223
7,949,127 B2 5/2011 Pedersen
D641,737 S * 7/2011 Krauss D14/205
D644,212 S * 8/2011 Quek D14/223
D645,457 S * 9/2011 Carr D14/223
D645,458 S 9/2011 Silvestri
D655,693 S 3/2012 Silvestri
D659,117 S 5/2012 Krauss
D664,124 S * 7/2012 Smith D14/223
8,249,287 B2 * 8/2012 Silvestri H04R 1/1016
381/370
8,254,621 B2 * 8/2012 Silvestri H04R 1/1016
381/370
8,311,253 B2 11/2012 Silvestri
D672,044 S * 12/2012 Larsen D24/174
D684,950 S * 6/2013 Schaal D14/205
D684,953 S * 6/2013 Schaal D14/205
D685,761 S * 7/2013 Fletcher D14/205
D686,191 S * 7/2013 Schaal D14/205
D686,197 S 7/2013 Kurtz
D694,220 S * 11/2013 Lee D14/223
D695,266 S 12/2013 Schaal
D699,703 S * 2/2014 Schaal D14/205
8,737,699 B2 * 5/2014 Shen G06F 19/345
382/128
D718,284 S * 11/2014 Shibusawa D14/223
D719,132 S * 12/2014 Toelle D14/205
8,929,582 B2 * 1/2015 Silvestri H04R 1/1016
381/370
8,989,426 B2 * 3/2015 Silvestri H04R 1/1016
381/370
D726,694 S * 4/2015 Behar D14/223
D728,532 S 5/2015 Kurtz

9,042,588 B2 * 5/2015 Aase H04R 1/1041
381/380
D733,101 S * 6/2015 Pi D14/223
D733,689 S * 7/2015 Narita D14/223
9,161,114 B2 10/2015 Bone
D743,370 S * 11/2015 Toelle D14/205
D744,456 S * 12/2015 Pedersen D14/223
D759,633 S * 6/2016 Gondo D14/223
D763,224 S * 8/2016 Silvestri H04R 1/1016
D14/205
9,462,366 B2 * 10/2016 Silvestri H04R 1/1016
D773,440 S * 12/2016 Pedersen D14/223
D773,441 S * 12/2016 Pedersen D14/223
D774,021 S * 12/2016 Pedersen D14/223
D778,873 S * 2/2017 Chen D14/205
D779,461 S * 2/2017 Smith D14/223
D780,157 S * 2/2017 Uggla D14/205
2002/0131585 A1 9/2002 Jones
2006/0067556 A1 * 3/2006 Bailey H04R 1/105
381/380
2007/0116309 A1 5/2007 Smith
2008/0002835 A1 1/2008 Sapiejewski
2008/0181441 A1 * 7/2008 Smith H04R 1/1016
381/328
2011/0123059 A1 * 5/2011 Hu H04R 1/1016
381/380
2011/0182454 A1 7/2011 Larsen
2012/0057739 A1 3/2012 Smith
2012/0128192 A1 5/2012 Burgett
2012/0237074 A1 9/2012 Aase
2013/0004011 A1 * 1/2013 Hayashida H04R 1/1016
381/380
2013/0230204 A1 9/2013 Monahan
2014/0068944 A1 3/2014 Aase
2014/0119589 A1 5/2014 Wyzisk
2014/0138179 A1 5/2014 Burton
2014/0205124 A1 * 7/2014 Jensen H04R 25/608
381/329
2014/0241563 A1 * 8/2014 Monahan H04R 1/1016
381/380
2014/0270315 A1 9/2014 Burgett
2015/0115871 A1 4/2015 Feril
2015/0312672 A1 10/2015 Kurtz
2016/0261942 A1 * 9/2016 Hayden H04R 1/105

OTHER PUBLICATIONS

DigiHero EarPod Covers, <http://www.amazon.com/DigiHero-Ear-buds-Ear-Hook-Attachment-Compatible/dp/8013LBSYMK> (last visited Mar. 15, 2016).
EarSkinz, <http://earskinz.com/collections/es2> (last visited Mar. 15, 2016).
Earhoox, <http://earhoox.com/shop/#for-earpods> (last visited Mar. 15, 2016).
Freebit Earbud, <http://freebit.eu/earbud/> (last visited Mar. 15, 2016).
Far End Gear BudLoks Earphone Sport Grips, <http://farendgear.com/budloks/earpod.php> (last visited Mar. 15, 2016).

* cited by examiner

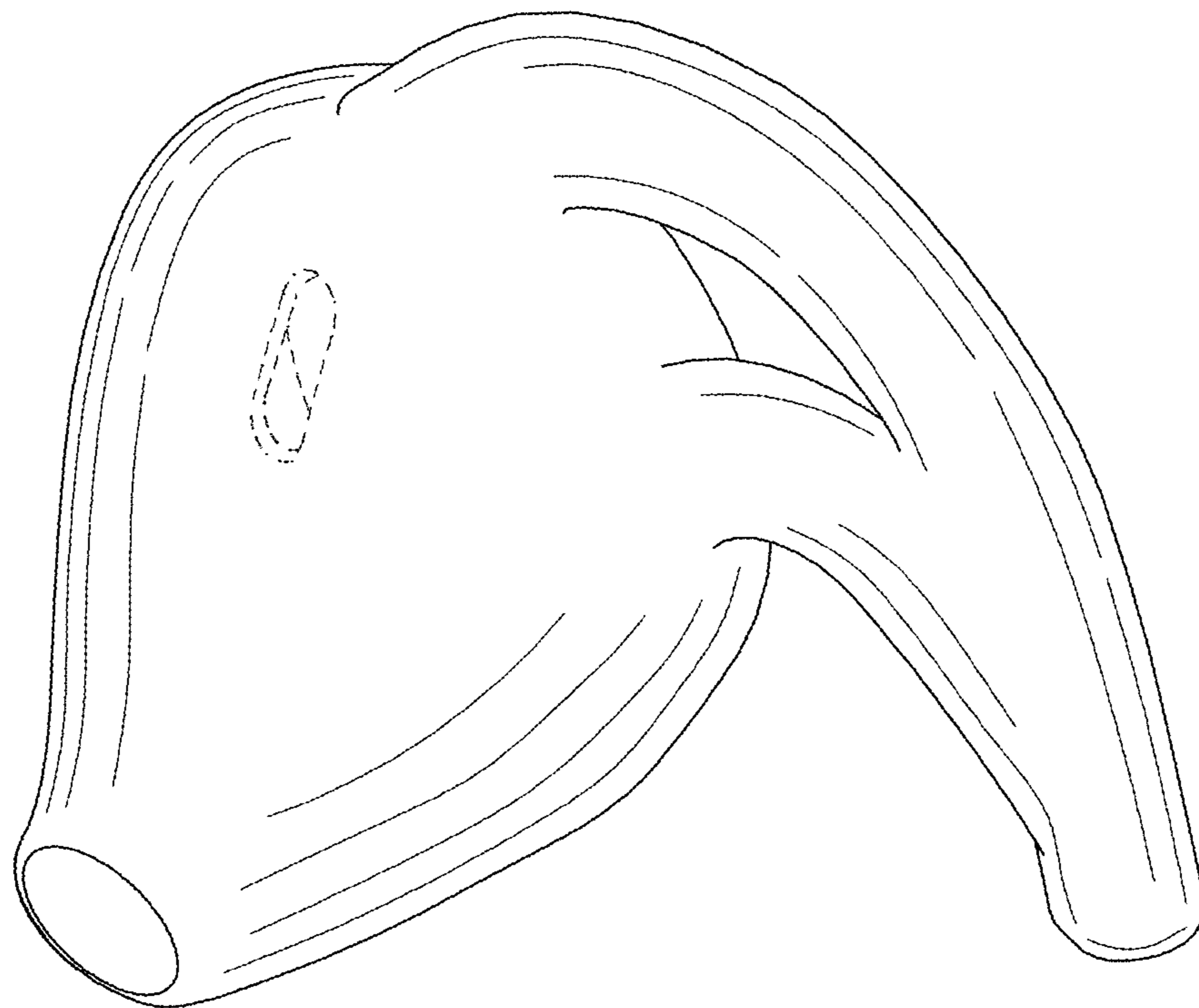


FIG. 1

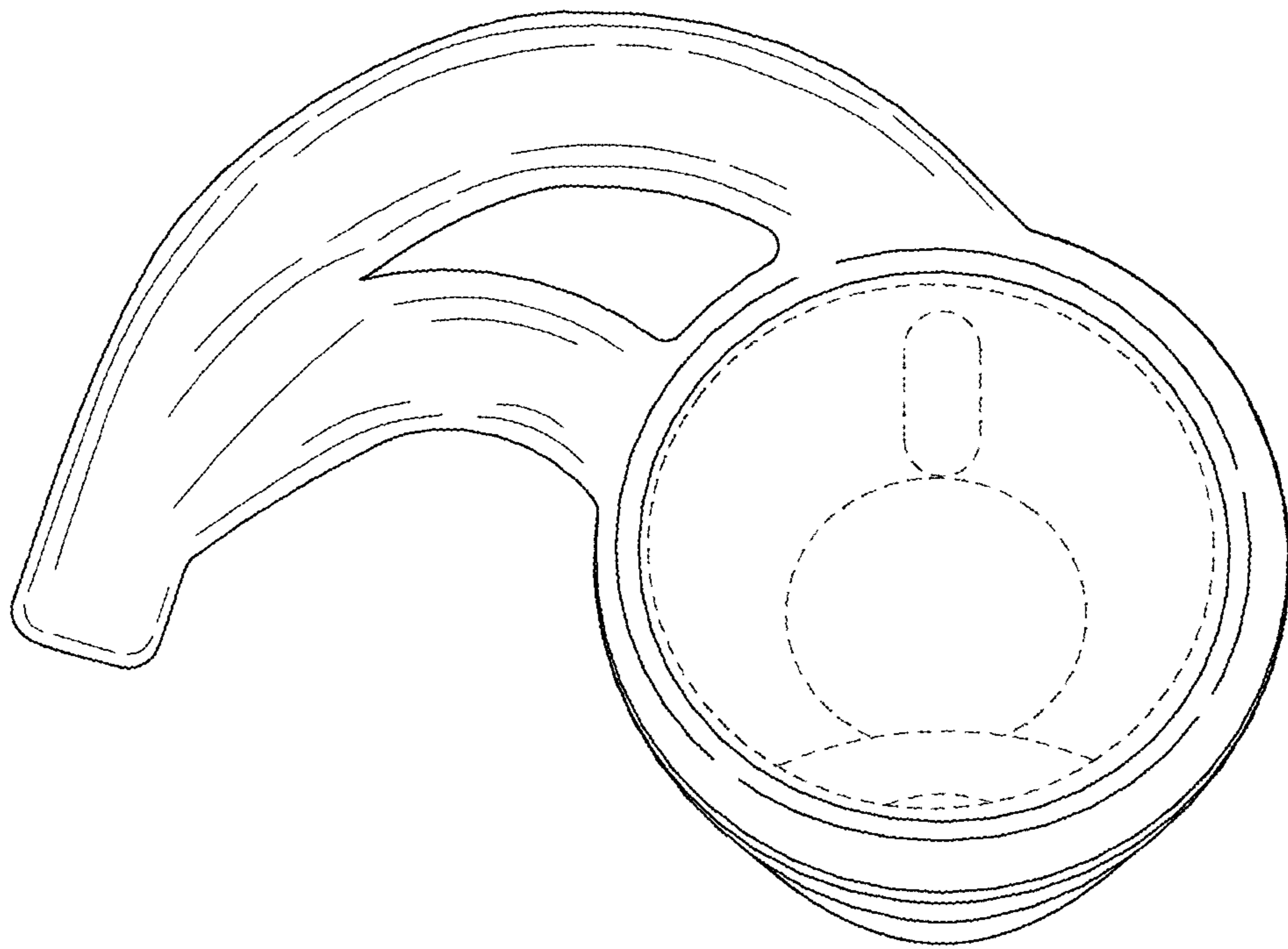


FIG. 2

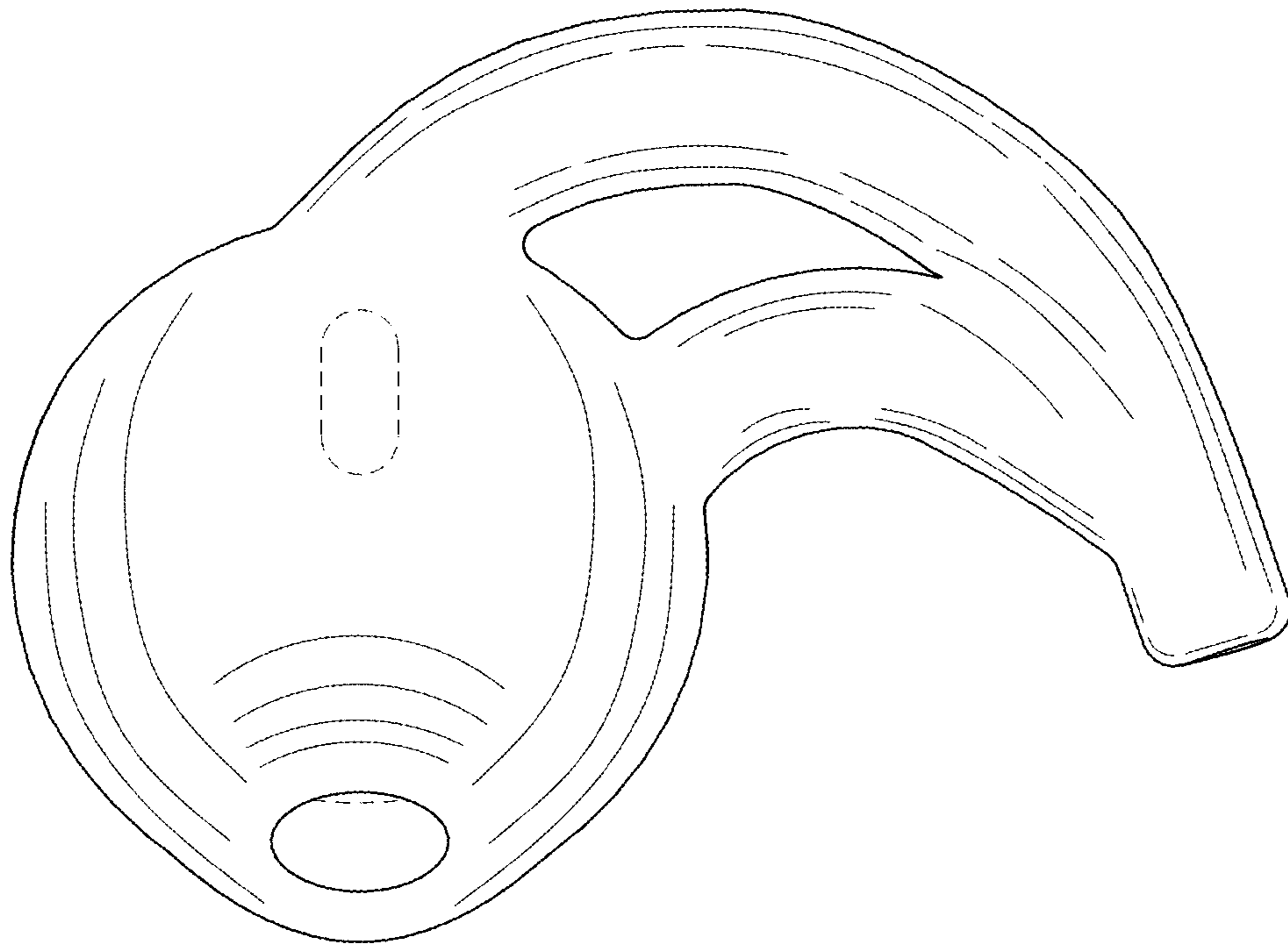


FIG. 3

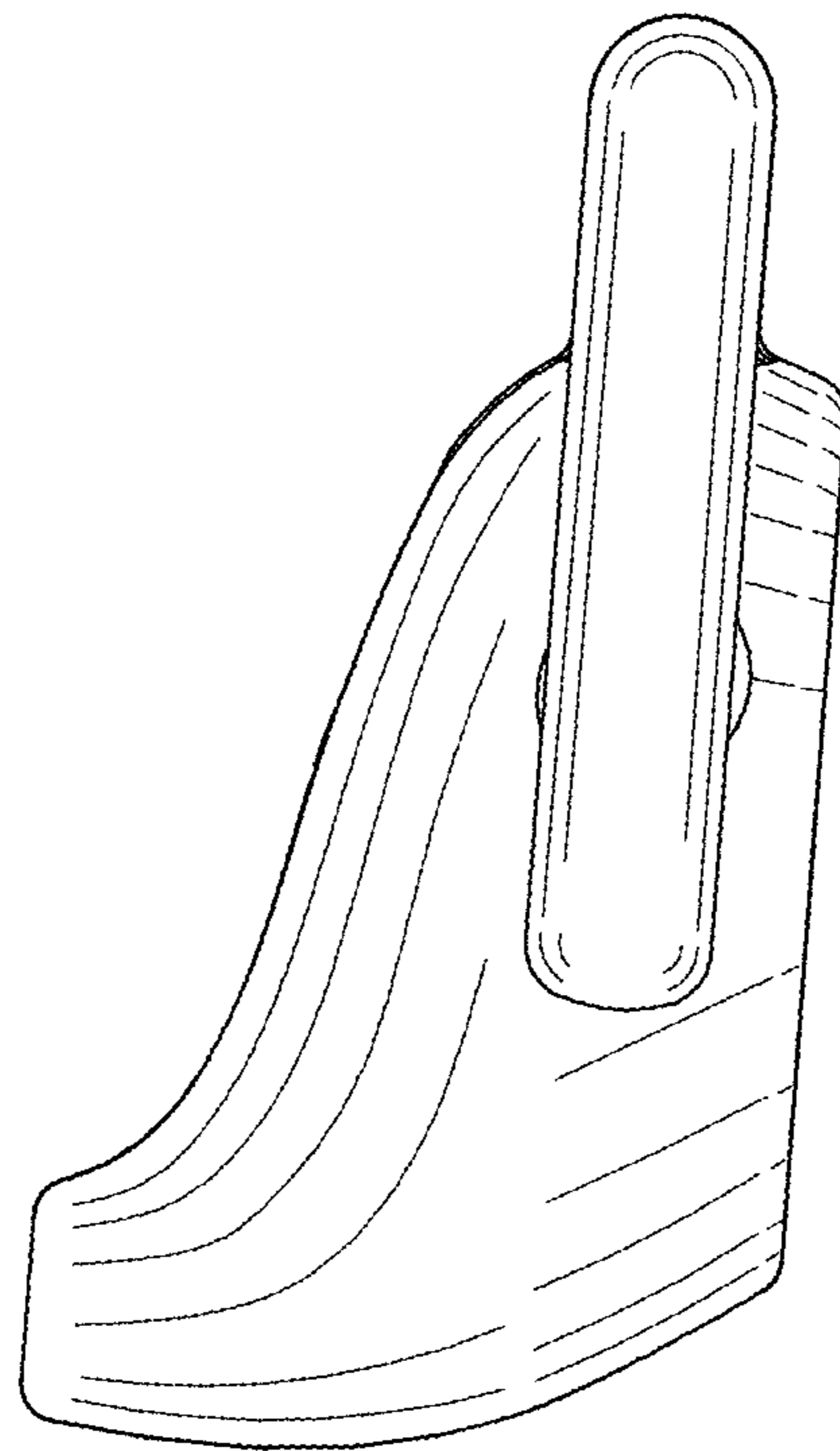


FIG. 4

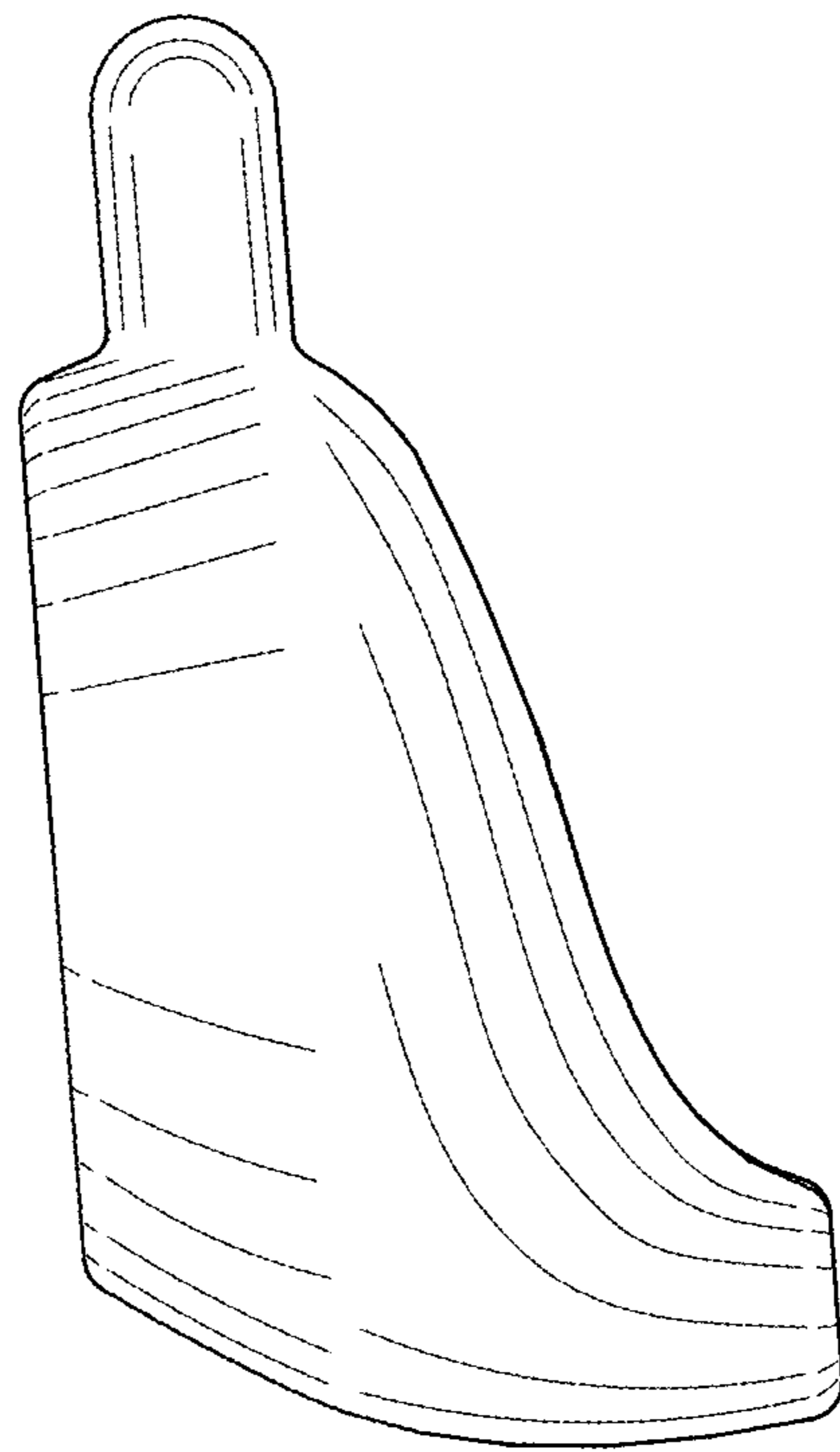


FIG. 5

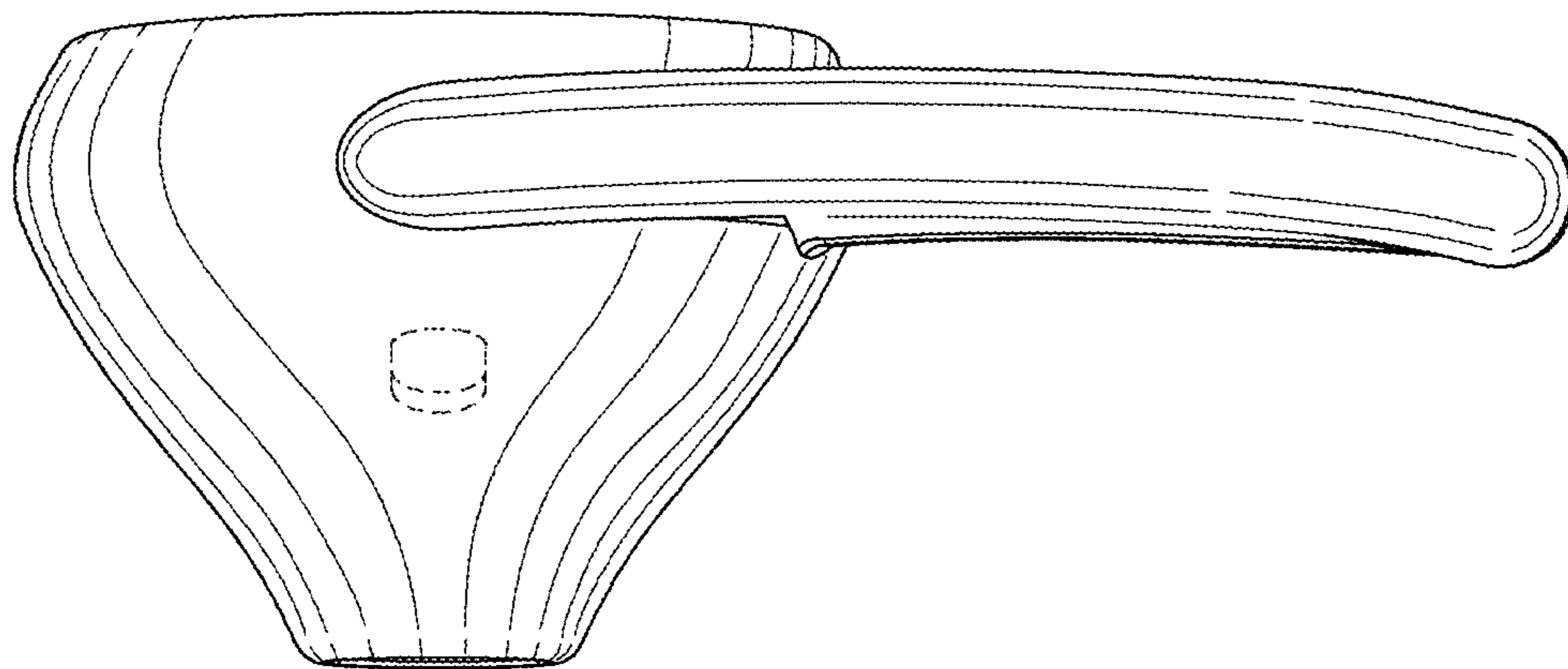


FIG. 6

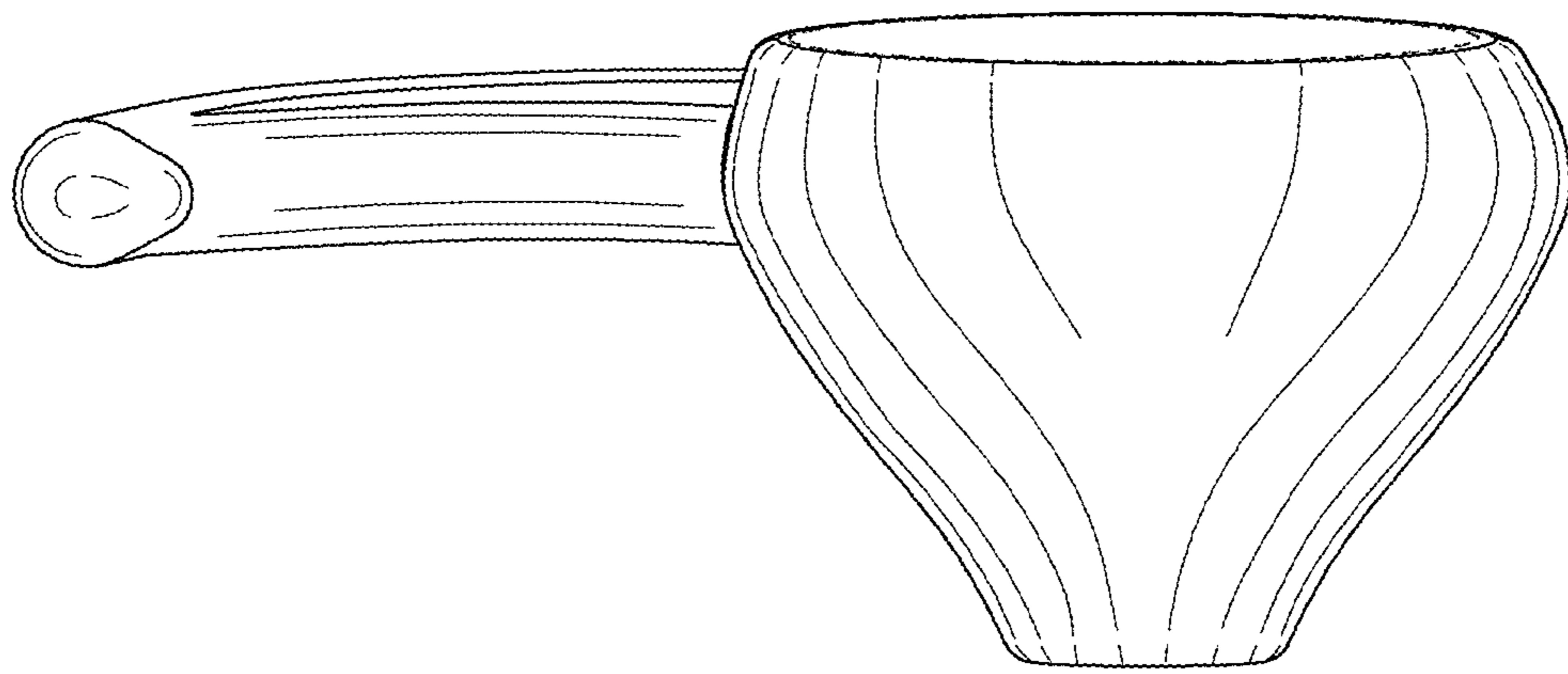


FIG. 7