



US00D794612S

(12) **United States Design Patent** (10) **Patent No.:** **US D794,612 S**
Katopis (45) **Date of Patent:** **** Aug. 15, 2017**

(54) **EARBUD**

(71) Applicant: **Chris J. Katopis**, Washington, DC
(US)

(72) Inventor: **Chris J. Katopis**, Washington, DC
(US)

(**) Term: **15 Years**

(21) Appl. No.: **29/557,089**

(22) Filed: **Mar. 4, 2016**

(51) **LOC (10) Cl.** **14-01**

(52) **U.S. Cl.**
USPC **D14/223**

(58) **Field of Classification Search**
USPC D14/223, 206; D24/174; 181/129, 130,
181/135; 379/430, 431; 128/864-876;
381/322-324, 330, 312, 151, 380, 381;
600/559

CPC H04R 1/10; H04R 1/1016; H04R 1/1058;
H04R 25/00; H04R 1/1033
See application file for complete search history.

(56) **References Cited**

U.S. PATENT DOCUMENTS

789,876	A *	5/1905	Pape	A61F 11/008	181/135
D463,789	S	10/2002	DeKalb et al.			
D463,790	S	10/2002	Beraut et al.			
D467,907	S	12/2002	Marion et al.			
6,731,772	B1 *	5/2004	Byun	H04R 1/12	181/130
D510,337	S	10/2005	Tages			
D514,094	S *	1/2006	Griffin	D14/223	
D562,808	S	2/2008	Gwee			
D566,687	S	4/2008	Duarte et al.			
D572,241	S	7/2008	Gwee			
D585,429	S	1/2009	Dean			
D591,721	S *	5/2009	Densho	D14/205	
D591,732	S	5/2009	Burton			

D600,675	S *	9/2009	Lee	D14/205	
D601,134	S	9/2009	Elabidi et al.			
D610,129	S *	2/2010	Densho	D14/223	
7,681,577	B2 *	3/2010	Blanchard	A61F 11/08	128/846
D617,316	S	6/2010	Elabidi et al.			
D618,209	S	6/2010	Andre et al.			
D618,210	S	6/2010	Andre et al.			
D618,805	S *	6/2010	Hindhede	D24/174	
D619,566	S	7/2010	Yu			
D624,056	S *	9/2010	Kolton	D14/223	

(Continued)

OTHER PUBLICATIONS

“Etymotic Research ER-4(R) micorPro(R)—Earphones,” www. atymotic.com, [retrieved Mar. 4, 2016] <URL: http://www. atymotic.com/consumer/earphones/er4.html>.

(Continued)

Primary Examiner — Paula Greene
(74) *Attorney, Agent, or Firm* — Chris J. Katopis

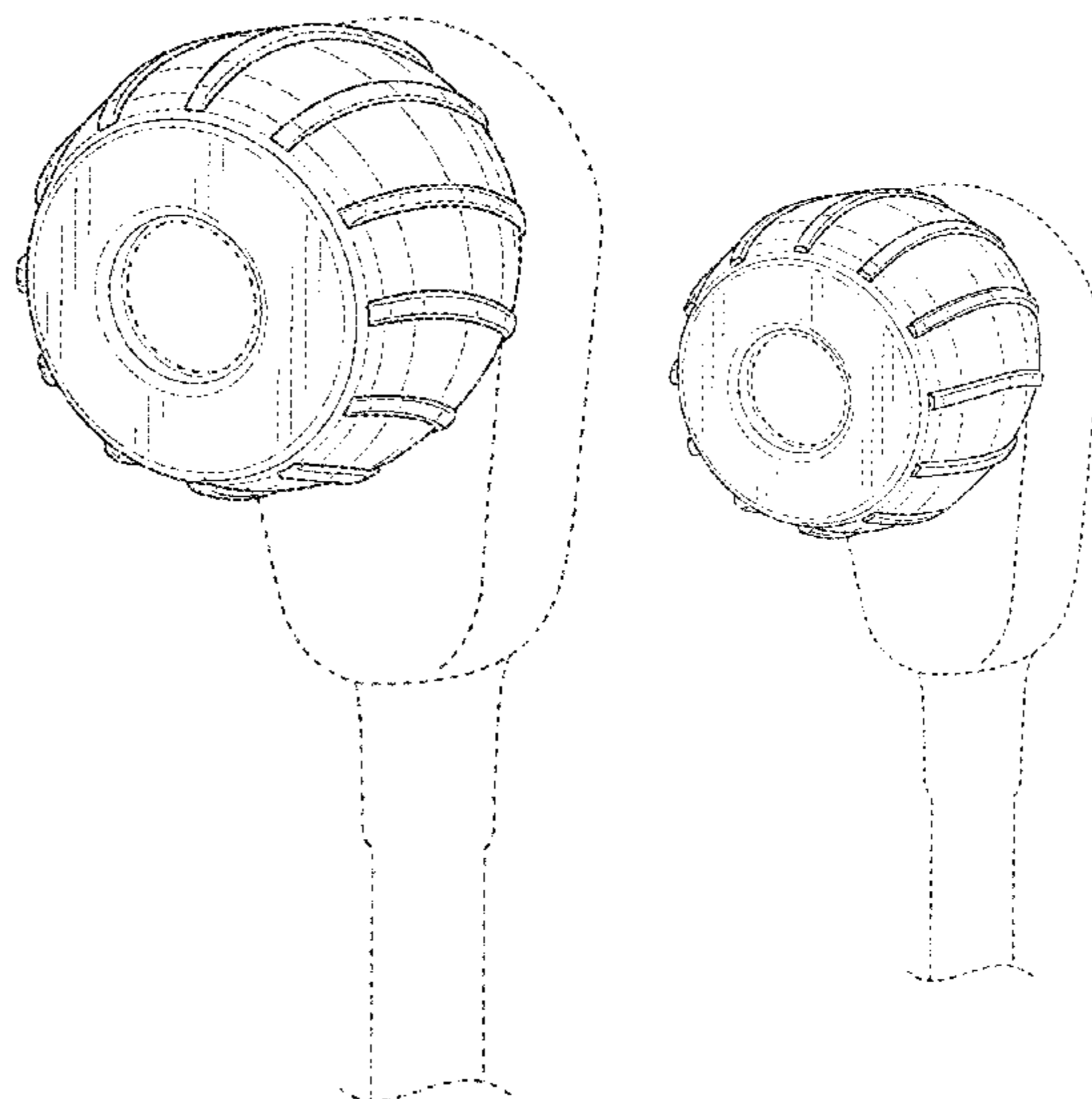
(57) **CLAIM**

The ornamental design for an earbud, as shown and described.

DESCRIPTION

FIG. 1 is a front perspective view of a first embodiment of an earbud, showing the new design; FIG. 2 is a front view thereof; FIG. 3 is a back view thereof; FIG. 4 is a side view thereof; FIG. 5 is the opposite side view thereof; FIG. 6 is a top view thereof; FIG. 7 is a bottom view thereof; and, FIG. 8 is a front perspective view of a second embodiment of an earbud. In all figures, the broken lines represent environmental subject matter that forms no part of the claimed design.

1 Claim, 8 Drawing Sheets



(56)

References Cited

U.S. PATENT DOCUMENTS

D637,180 S * 5/2011 Shimizu D14/223
 D641,010 S 7/2011 Kwon
 D641,011 S * 7/2011 Gondo D14/206
 D643,415 S 8/2011 Vasquez
 D647,081 S 10/2011 Kwon
 D653,235 S 1/2012 McManigal
 D656,481 S 3/2012 McManigal
 D658,157 S 4/2012 McManigal
 D660,291 S 5/2012 Thomas et al.
 D666,169 S 8/2012 Tucker et al.
 D666,996 S 9/2012 Hardi et al.
 D674,271 S 1/2013 Rodwin
 D676,415 S * 2/2013 Erdel D14/205
 D676,426 S * 2/2013 Komiyama D14/223
 D679,682 S * 4/2013 Shimizu D14/223
 D687,418 S 8/2013 Godfrey
 D689,472 S * 9/2013 Erdel D14/223
 D698,023 S * 1/2014 Iseberg D24/174
 D698,762 S * 2/2014 Zheng D14/223
 D700,905 S 3/2014 Pavitsich
 D707,201 S 6/2014 Arjomand

D707,657 S * 6/2014 Burt H04R 25/00
 D14/223
 D712,874 S 9/2014 Gauger, Jr. et al.
 D715,272 S 10/2014 Burton
 D716,771 S 11/2014 Burgett et al.
 D729,764 S 5/2015 Arjomand
 D739,851 S 9/2015 Donohue, II et al.
 D744,456 S 12/2015 Pedersen
 D745,863 S 12/2015 Hardi
 D756,970 S * 5/2016 Ferber D14/223
 2007/0092094 A1 * 4/2007 Gilbertson H04R 25/60
 381/328
 2015/0060189 A1 * 3/2015 Iseberg H04R 1/1016
 181/135
 2015/0195638 A1 * 7/2015 Tseng H04R 1/1016
 381/380

OTHER PUBLICATIONS

“Burton Technologies LLC,” www.burtontechusa.com, [retrieved Mar. 4, 2016] <URL: <http://www.burtontechusa.com/>>.

* cited by examiner

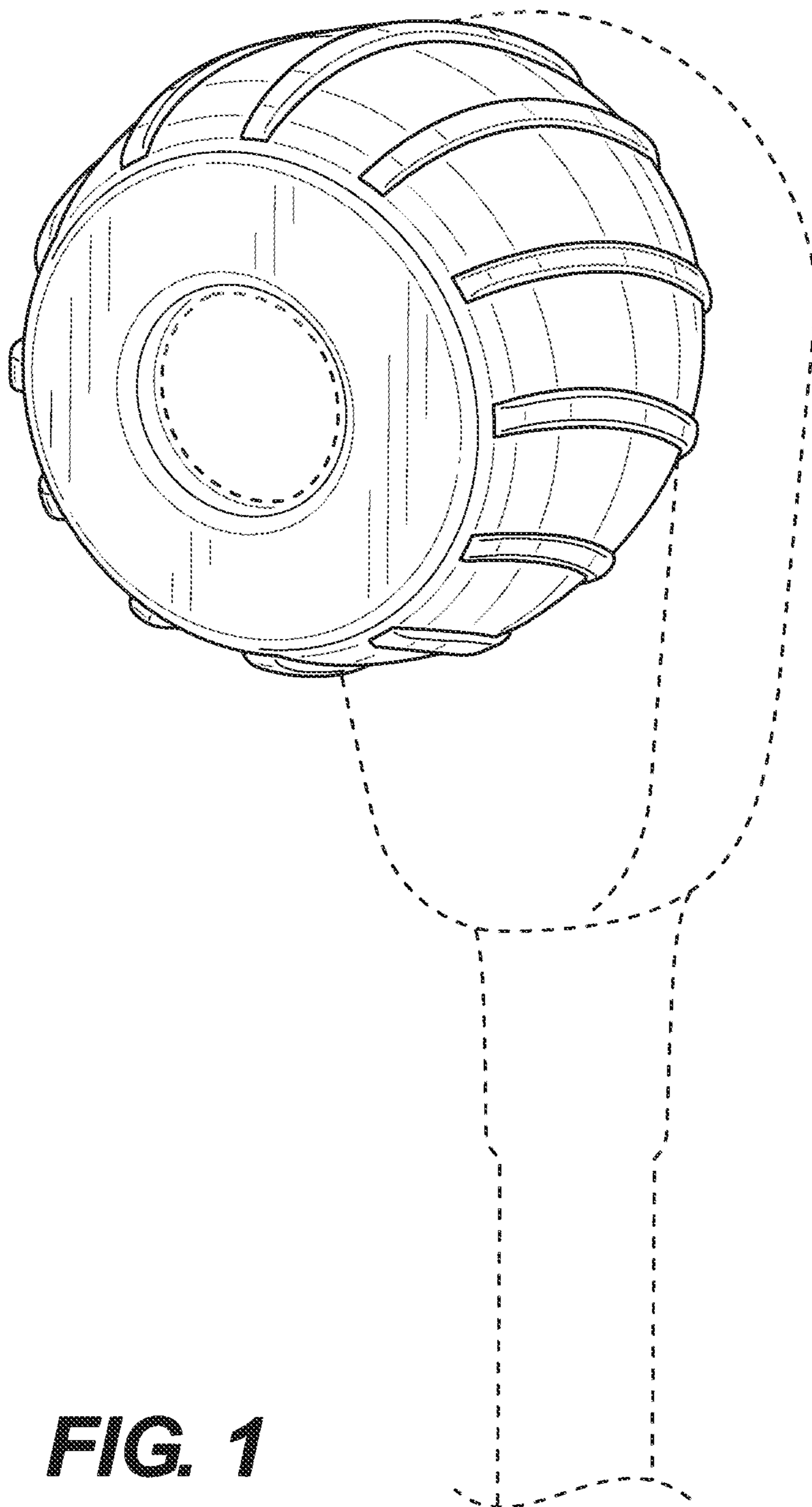


FIG. 1

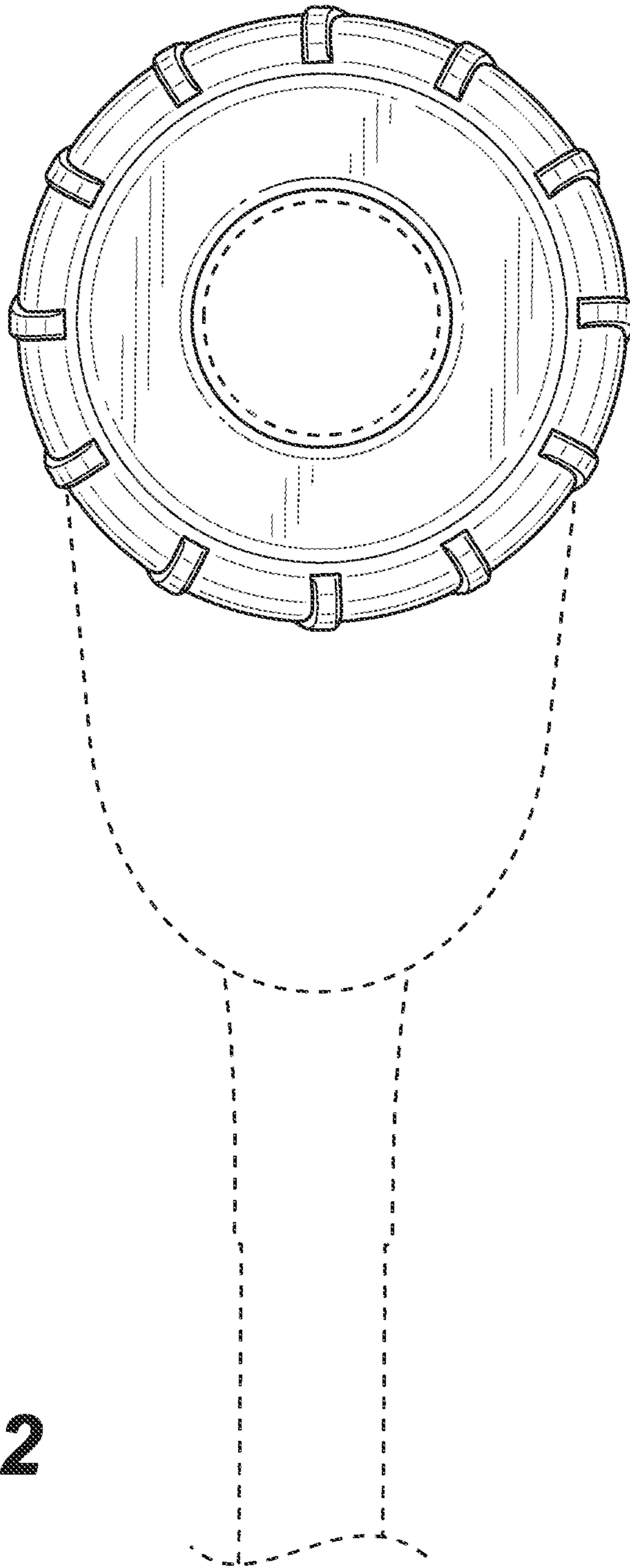


FIG. 2

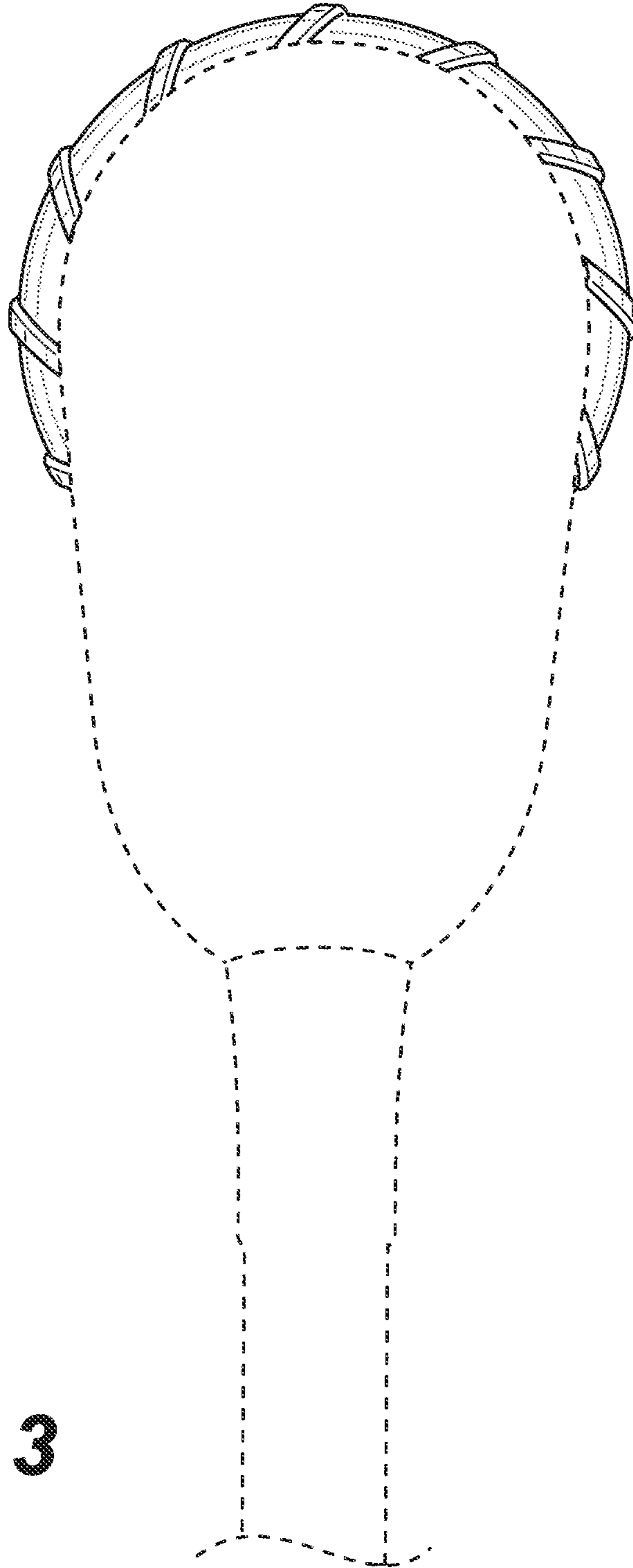


FIG. 3

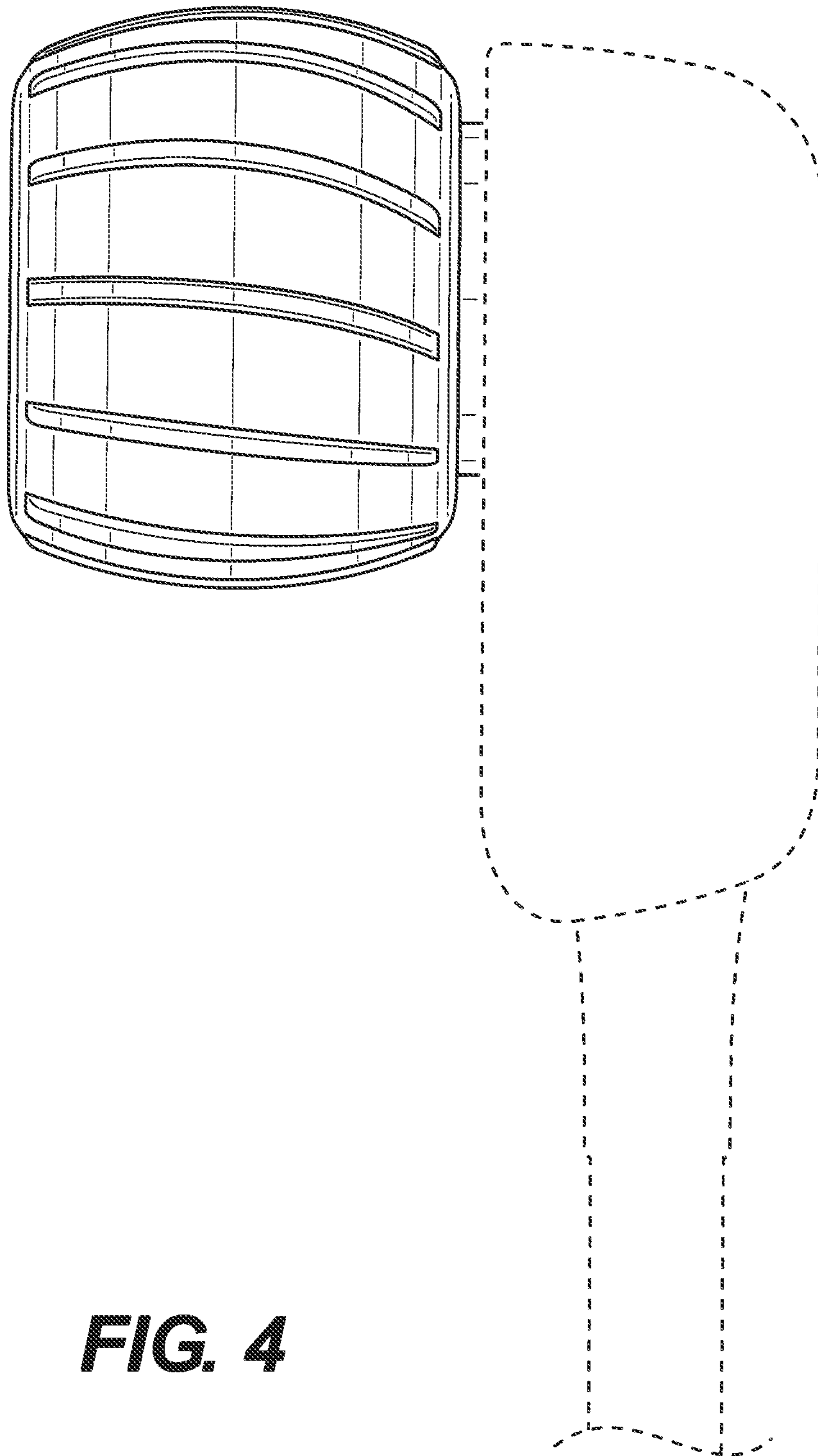


FIG. 4

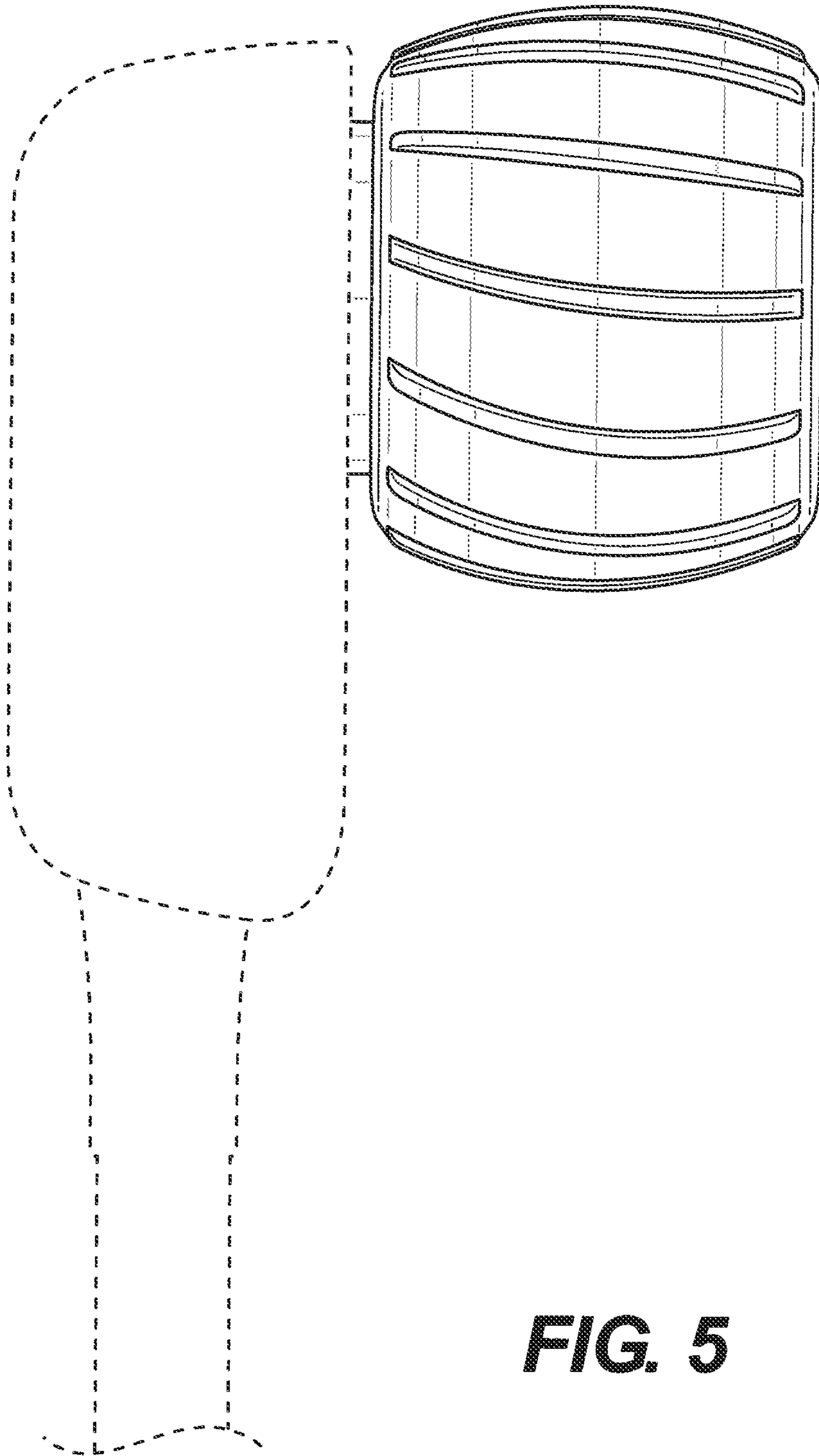


FIG. 5

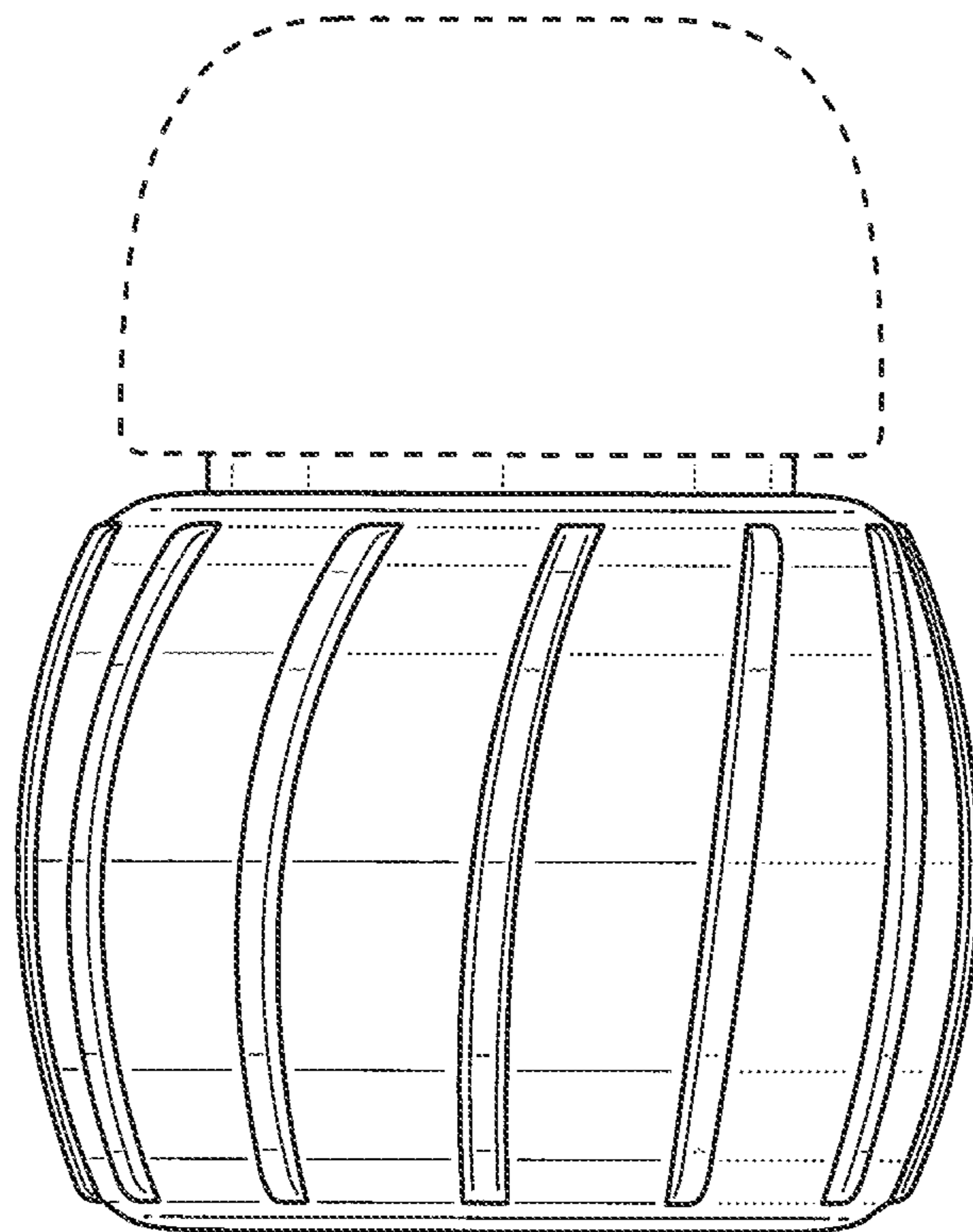


FIG. 6

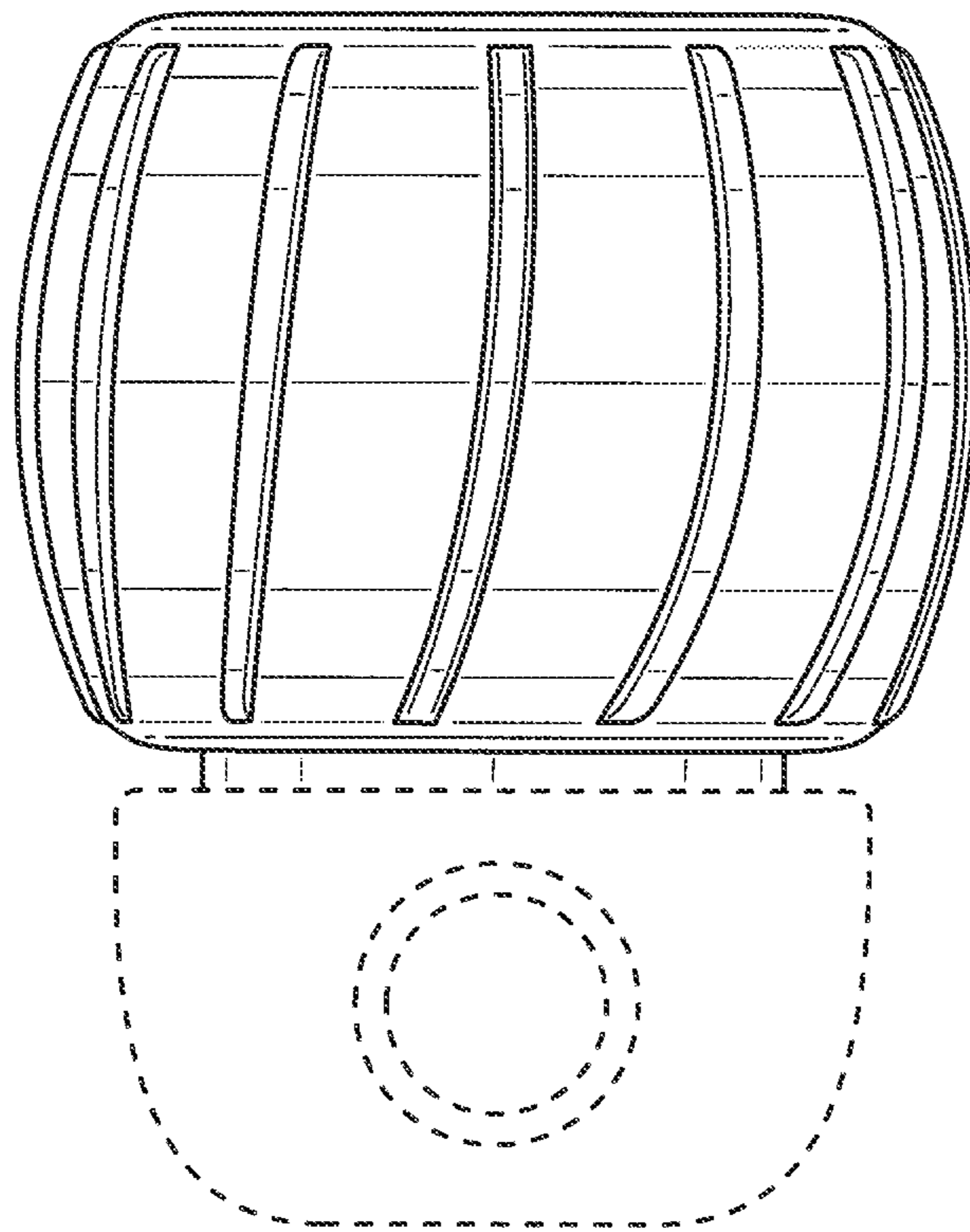


FIG. 7

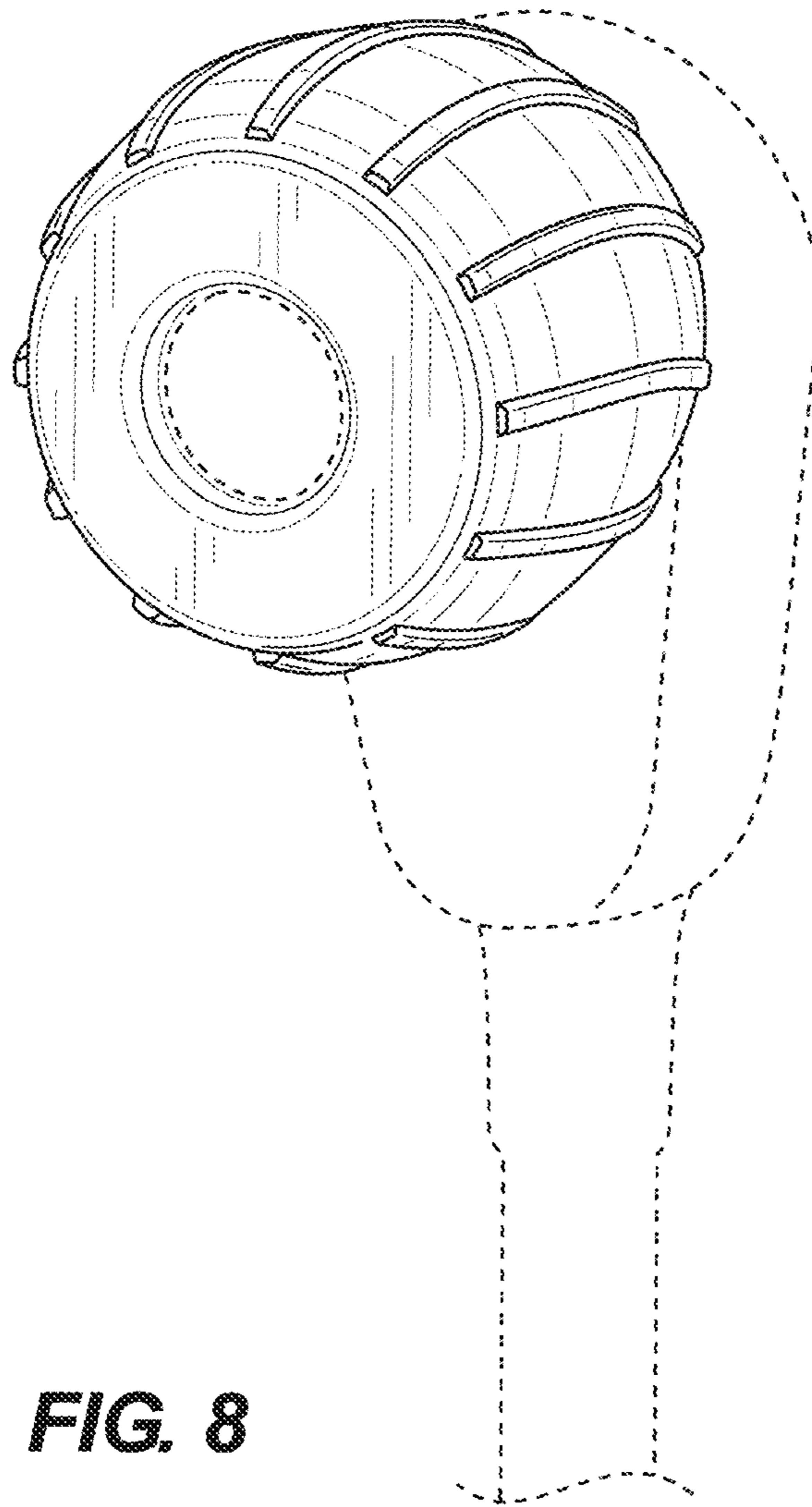


FIG. 8